



Product Highlight

- Up to 14.025 Gb/s Bi-directional Data Link
- Complaint to SFP+ MSA
- Compliant with 16G FC I600-SN
- Compliant with 8G, 4G Fibre Channel
- Compliant with 10G Fibre Channel
- Built-in CDR with Shut-off Control
- Link Distance at 14.025 Gbd
 - 35 m links with 50/125 mm MMF Cables
 - 100 m links with OM3 MMF Cables
 - 125 m links with OM4 MMF Cables
- SFF-8472 Digital Diagnostic Function
- Single +3.3 V Power Supply
- RoHS 6/6 Compliant
- 0 to 70°C Operation: XTM85B-MILY
- -5 to 85°C Operation: XTM85B-MILE
- -40 to 85°C Operation: XTM85B-MILM
- Class I Laser International Safety Standard IEC 60825 Compliant
- Enhanced EWRAP, OWRAP operational features



16G FC 850 nm Digital Diagnostic LC Multi-Mode SFP+ Transceiver

XTM85B-MILx

Applications

- Multi-rate 16x/8x/4x Fiber Channel
- 10G FCoE

Product Description

The XTM85B-MILx series multi-mode transceivers is SFP+ module for bi-directional serial optical data communications such as 16x/8x/4x Fibre Channel. It is with the SFP+ 20-pin connector to allow hot plug capability. Digital diagnostic functions are available via an I²C. This module is designed for multi-mode fiber and operates at a nominal wavelength of 850 nm. The transmitter section uses a Vertical Cavity Surface Emitted Laser (VCSEL) and is a Class I laser compliant according to International Safety Standard IEC 60825. The receiver section uses an integrated GaAs detector preamplifier (IDP) mounted in an optical header and a rate selection clock data recovery (CDR) IC.

Laser Safety

This multi-mode transceiver is a Class I laser product. It complies with IEC 60825 and FDA 21 CFR 1040.10 and 1040.11. The transceiver must be operated within the specified temperature and voltage limits. The optical ports of the module shall be terminated with an optical connector or with a dust plug.

Absolute Maximum Ratings

Parameter	Symbol	Min	Max	Units
Storage Temperature	Tstg	-40	85	°C
Operating Case Temperature	Topr	0 [1]	70	°C
		-5 [2]	85	
		-40 [3]	85	
Operating Relative Humidity [4]	RH	0	85	%
Power Supply Voltage	Vcc	0	4	V

Notes:

- [1] XTM85B-MILY
- [2] XTM85B-MILE
- [3] XTM85B-MILM
- [4] Non condensing

Recommended Operating Conditions

Parameter	Symbol	Min	Typ	Max	Units
Power Supply Voltage	Vcc	3.14	3.3	3.46	V
Operating Case Temperature	Topr	0 [1]		70	°C
		-5 [2]		85	°C
		-40 [3]		85	°C
Power Supply Current	I _{CC} (TX+RX)			290	mA / [4]
Data Rate		4.25	14.025		Gb/s

Notes:

- [1] XTM85B-MILY
- [2] XTM85B-MILE
- [3] XTM85B-MILM
- [4] With established link.

Transmitter Optical Specifications (0°C < Topr < 70°C, 3.13V < Vcc < 3.47V)

Parameter	Symbol	Min	Typ	Max	Units
Average Launch Power [1]	Po, Avg	-7.8			dBm
Output Center Wavelength	λ_c	840	850	860	nm
Output Spectrum Width [2]	σ_λ			0.59	nm
Optical Modulation Amplitude @4.25 Gb/s	OMA	247			μ W
Optical Modulation Amplitude @8.5 Gb/s	OMA	302			μ W
Optical Modulation Amplitude @14.025 Gb/s	OMA	331			μ W
Vertical Eye Closure Penalty @14.025 Gb/s	CEVPQ			2.56	dB
Relative Intensity Noise	RIN			-128	dB/Hz

Notes:

[1] Max Po: Class I Laser Safety limit per CDRH and IEC/EN 60825. Output power is power coupled into a 50/125 μ m multi-mode fiber (average).

[2] RMS (σ)

Receiver Optical Specifications (0°C < Topr < 70°C, 3.13V < Vcc < 3.47V)

Parameter	Symb	Min	Typ	Max	Units
Receiver OMA Sensitivity @4.25 Gb/s [1]	RxSENS			61	μ W
Receiver OMA Sensitivity @8.5 Gb/s [1]	RxSENS			76	μ W
Receiver OMA Sensitivity @14.025 Gb/s [1]	RxSENS			89	μ W
Stress Receiver OMA Sensitivity @14.025 Gb/s	Sens		---	-7.7	dBm
Receiver Overload	PMAX	0	---		dBm
LOS – Deasserted [2]	LOSD	---	---	-13	dBm
LOS – Asserted [2]	LOSA	-24	---	---	dBm
Wavelength of Operation	λ_c	770		860	nm
Optical Return Loss	ORL			-12	dB

Notes:

[1] Measured with worst ER; BER < 10⁻¹² and PRBS 2³¹-1.

[2] Transition: low to high

Electrical Characteristics

Parameter	Symbol	Min	Typ	Max	Units
High-Speed Signal (CML) Interface Specification					
Input Data Rate		4.25	14.025		Gb/s
Differential Input Impedance	R _{in}		100		Ω
Differential Data Input Amplitude [1]		150		700	mV _{pp}
Output Data Rate		4.25	14.025		Gb/s
Differential Output Impedance [1]	R _{out}		100		Ω
Differential Data Output Amplitude		350	600	700	mV _{pp}
Low-Speed Signal (LVTTTL) Interface Specification					
Input High Voltage		2.0		V _{cc} +0.3	V
Input Low Voltage		GND		0.8	V
Output High Voltage		2.4		V _{cc}	V
Output Low Voltage		GND		0.5	V

Notes:

[1] Internally AC coupled

Link Length

Parameter	Symbol	Min	Typ	Max	Units
Fiber Length on 50/125 μm MMF	L			150 [1] 50 [2] 35 [3]	m
Fiber Length on 50/125 μm high-bandwidth (OM3) MMF	L			380 [1] 150 [2] 100 [3]	m

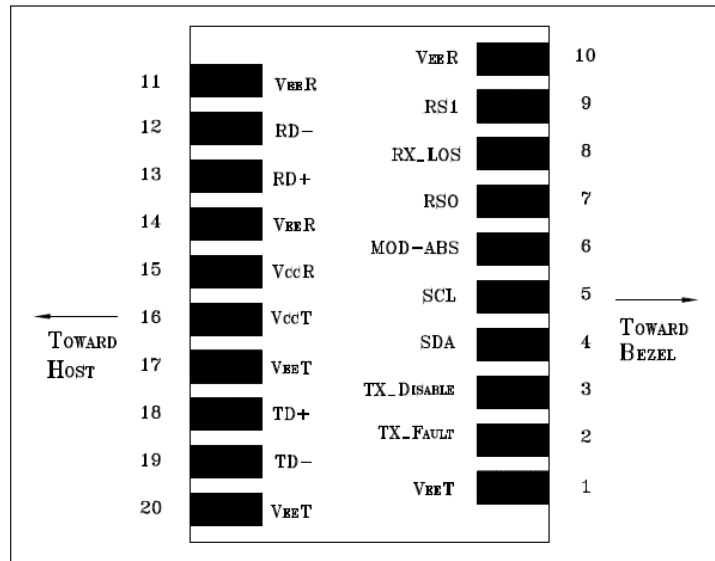
Notes:

[1] At 4.25 Gb/s Fibre Channel data rate

[2] At 8.5 Gb/s Fibre Channel data rate

[3] At 14.025 Gb/s Fibre Channel data rate

Connection Diagram



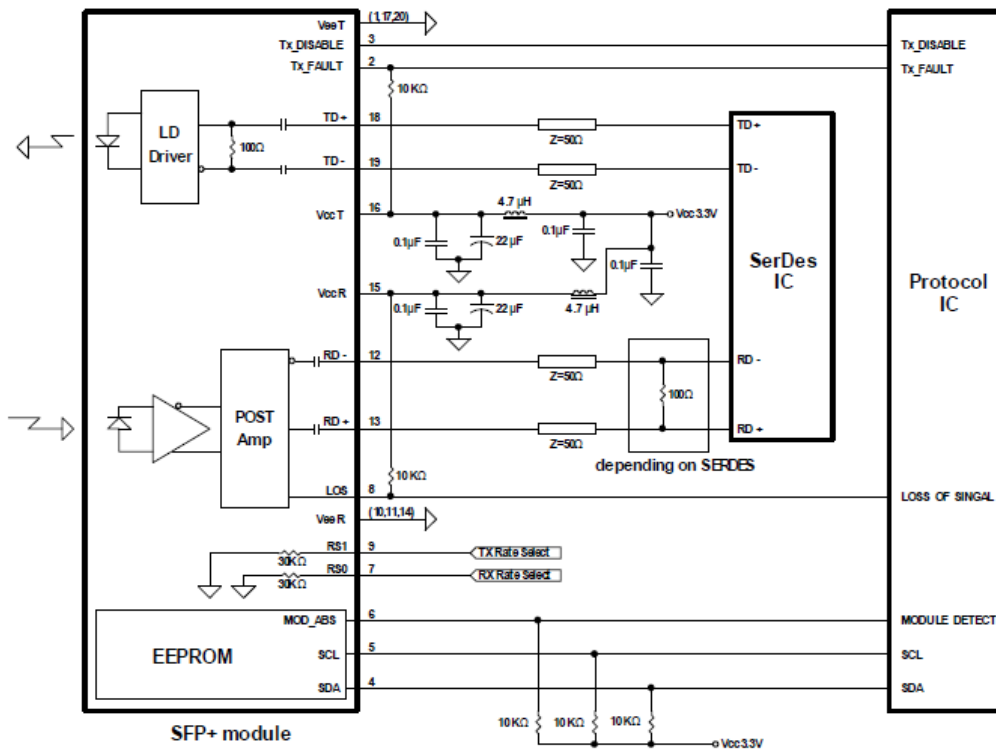
PIN	Signal Name	Description	PIN	Signal Name	Description
1	VEET	Transmitter Signal Ground	11	VEER	Receiver Signal Ground
2	TX_Fault	Transmitter Fault Indication. Logic "1" Output = Laser Fault. Logic "0" Output = Normal operation	12	RD-	Inverse Receiver Data Out
3	TX_Disable	Logic "1" Input (or no connection) = TX off, Logic "0" = TX on.	13	RD+	Receiver Data Out
4	SDA	Modulation Definition 2 – Two wires serial ID Interface	14	VEER	Receiver Signal Ground
5	SDL	Modulation Definition 1 – Two wires serial ID Interface	15	VCCR	Receiver Power – 3.3V±5%
6	MOD-ABS	Modulation Absent, connected to VEET or VEER in the module.	16	VcCT	Transmitter Power – 3.3V±5%
7	RS0	RX Rate Select: This pin has an internal 30k pulldown to ground. A signal on this pin will not affect module performance.	17	VEET	Transmitter Signal Ground
8	RX_LOS	Loss of Signal Out (OC).	18	TD+	Transmitter Data In
9	RS1	TX Rate Select. This pin has an internal 30k pulldown to ground. A signal on this pin will not affect module performance.	19	TD-	Inverse Transmitter Data In
10	VEER	Receiver Signal Ground	20	VEET	Transmitter Signal Ground

Module Definition

Module Definition	PIN 4	PIN 5	PIN 6	Interpretation by Host
4	SDA	SCL	MOD-ABS	Serial module definition protocol

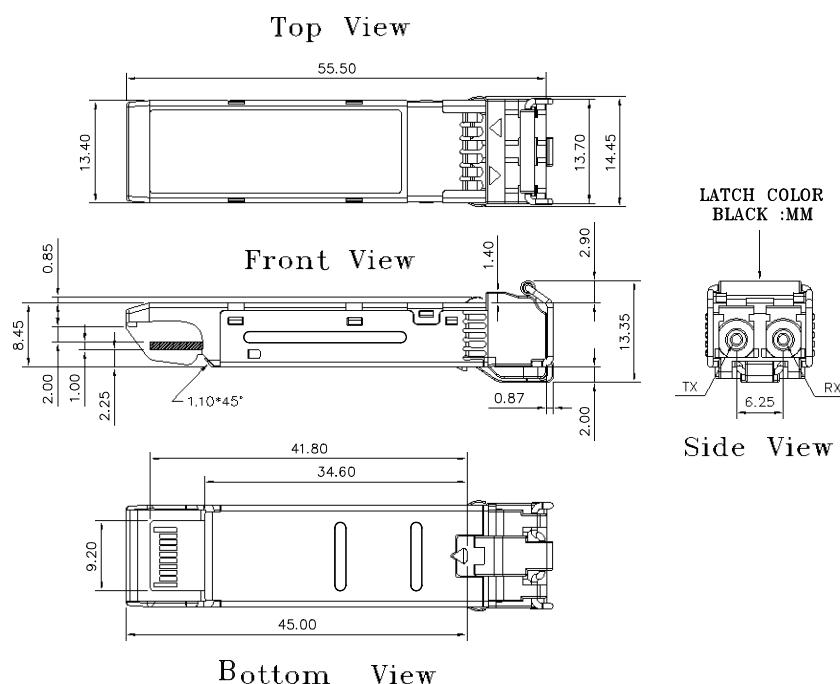
Module Definition 4 specifies a serial definition protocol. For this definition, upon power up, SDA and SCL appear as no connector (NC) and MOD-ABS is TTL LOW. When the host system detects this condition, it activates the serial protocol. The protocol uses the 2-wire serial CMOS E²PROM protocol of the ATMEL AT24C01A/02/04 family of components.

Recommended Circuit Schematic



Package Diagram

Units in mm



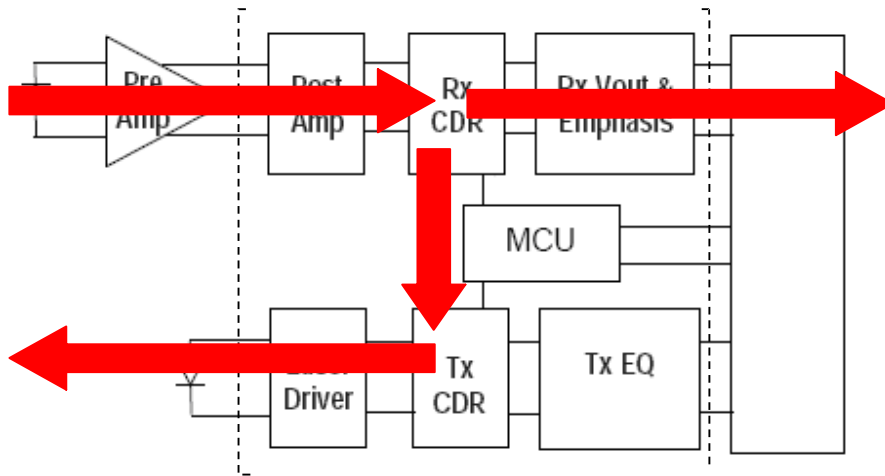
Note: Specifications subject to change without notice.

Wrap Operation Functions – Soft Control (Address A2h, Byte III)

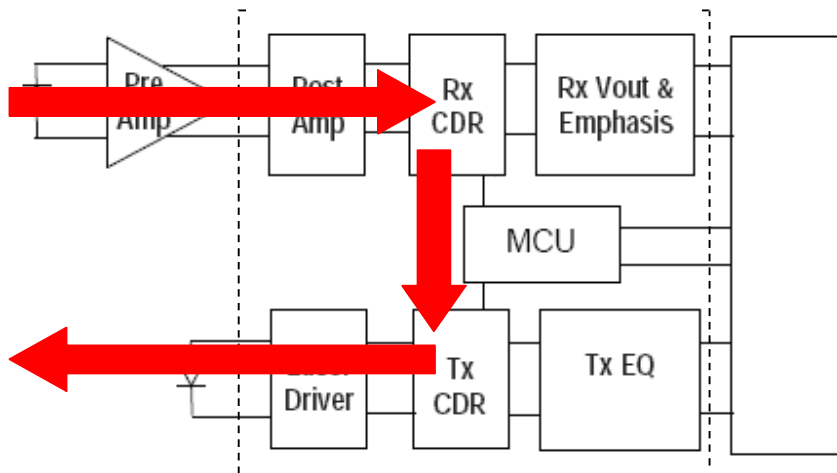
To assist with local host or remote diagnostic and optimization sequences, electrical and optical wrap functions can be enabled. Optical wrap (OWRAP) takes the received optical signal through CDRs and retransmits it optically out. Electrical wrap (EWRAP) takes the received electrical signal through CDRs and retransmits it electrically out. Optional forward functions can be transmitted outbound the wrapped information via i2c control.

Byte	Bit	Name	Description
III	4-7	Reserved	Reserved.
	3	OWRAP Forward Enable Bit	When set in combination with OWRAP Enable, OWRAP Forward routes incoming SFP+ Rx optical data to both the Tx optical output and the Rx electrical output. Enabling sets bit 2 and clears all other bits in byte III.
	2	OWRAP Enable Bit	When set, OWRAP routes incoming SFP+ Rx optical data to the Tx optical output. Enabling clears all other bits in byte III.
	1	EWRAP Forward Enable Bit	When set in combination with EWRAP Enable, EWRAP Forward routes incoming SFP+ Tx electrical data to both Rx electrical output and Tx optical output. Enabling sets bit 0 and clears all other bits in byte III.
	0	EWRAP Enable Bit	When set, EWRAP Enable routes incoming SFP+ Tx electrical data to the Rx electrical output. Enabling clears all other bits in byte III.

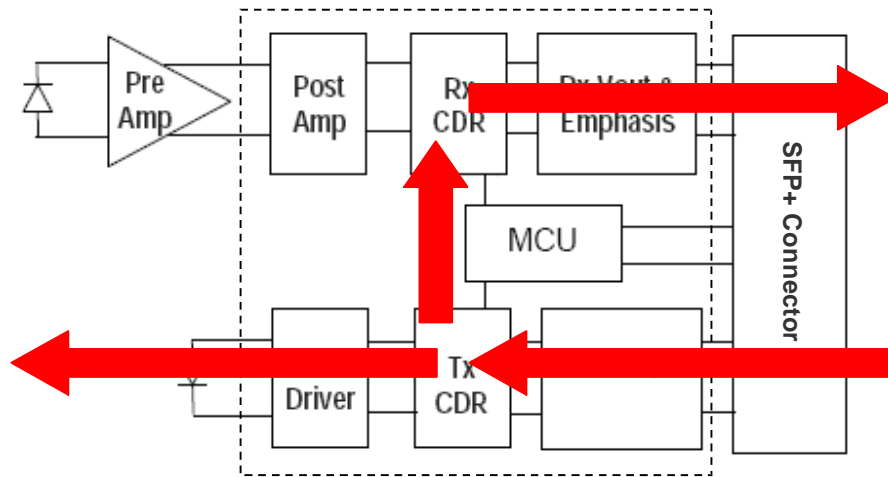
OWRAP FORWARD ENABLE MODE (I2C CONTROLLED)



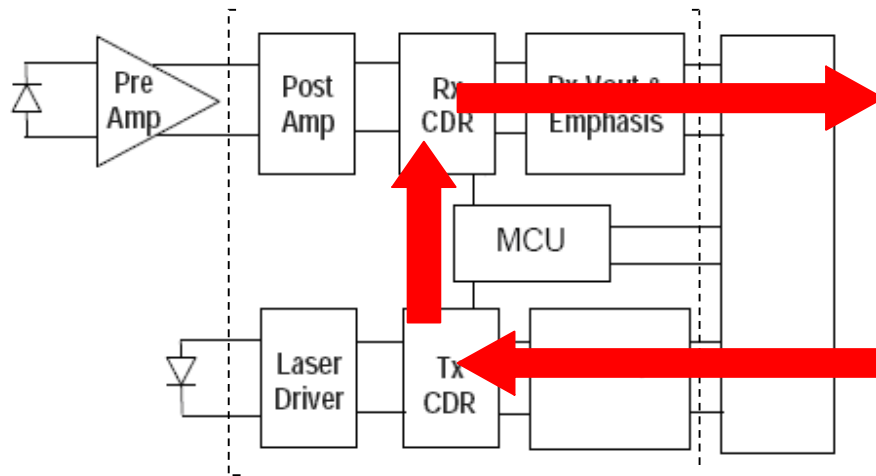
OWRAP ENABLE MODE (I2C CONTROLLED)



EWRAP FORWARD ENABLE MODE (I2C CONTROLLED)



EWRAF ENABLE MODE (I2C CONTROLLED)



EEPROM Series ID Memory Contents (Address A0h)

Addr.	Hex	ASCII	Note	Addr.	Hex	ASCII	Note	Addr.	Hex	ASCII	Note	Addr.	Hex	ASCII	Note	
0	03		SFP+	32	20			64	00		Uncooled Tx,	96	00		Vendor specific EEPROM	
1	04			33	20			65	1A		Txdis, Txfault, LOS enable	97	00			
2	07		LC	34	20			66	00		Up bit rate	98	00			
3	10		10G Base-SR	35	20			67	00		Low bit rate	99	00			
4	00			36	00		NA	68			Serial number: each piece with different serial number	100	00			
5	00			37	00		Vendor IEEE OUI	69				101	00			
6	00			38	0E			70				102	00			
7	60		Short (S) and Intermediate (I) Distance	39	FA			71				103	00			
8	40		Shortwave Laser w/o OFC (SN)	40	53	S	Part Number	72				104	00			
9	0C		Multimode (M6, M5, M5E)	41	50	P			73				105	00		
10	F0		1600/1200/800/400 Mbytes/sec	42	4D	M			74				106	00		
11	06		64B/66B	43	2D	-			75				107	00		
12	8C		14.025Gbps	44	36	6			76				108	00		
13	00			45	31	1			77				109	00		
14	00			46	30	0			78				110	00		
15	00			47	30	0			79				111	00		
16	04		OM2 50/125um MMF, 35m	48	57	W			80				112	00		
17	02		OM1 62.5/125um MMF, 15m	49	47	G			81				113	00		
18	00			50	20				82				114	00		
19	0A		OM3 50/125um MMF, 100m	51	20				83				115	00		
20	4F	O	Vendor name	52	20				84			Date Code	116	00		
21	50	P			53	20				85				117	00	
22	54	T			54	20				86				118	00	
23	4F	O			55	20				87				119	00	
24	57	W			56	30	0	Revision, depended on version	88				120	00		
25	41	A			57	30	0			89				121	00	
26	59	Y			58	30	0			90				122	00	
27	20				59	31	1		91				123	00		
28	20				60	03		850 nm	92	68		Monitoring	124	00		
29	20				61	52			93	F0		Soft Control and Monitoring	125	00		
30	20			62	00		Reserved	94	05		SFF-8472V11.0	126	00			
31	20			63			Checksum 0-62	95			Checksum 64-94	127	00			

EEPROM Series ID Memory Contents (Address A2h)

Addr.	Hex	Note	Addr.	Hex	Note	Addr.	Hex	Note	Addr.	Hex	Note
0	4B	Temp. High Alarm (75°C)	32	31	Rx Power High Alarm (1dBm)	64	00	For External Cal.	96		Real Time Temp. MSB
1	00		33	2D		65	00		For External Cal.	97	
2	FB	Temp. Low Alarm(-5°C)	34	02	Rx Power Low Alarm (-12.5dBm)	66	00	For External Cal.	98		Real Time Vcc MSB
3	00		35	32		67	00		For External Cal.	99	
4	49	Temp. High Warming(73°C)	36	27	Rx Power High Warming (0dBm)	68	3F	For External Cal.	100		Real Time Tx Bias MSB
5	00		37	10		69	80		For External Cal.	101	
6	00	Temp. Low Warming (0°C)	38	03	Rx Power Low Warming(-10.5dBm)	70	00	For External Cal.	102		Real Time Tx Pwr MSB
7	00		39	7B		71	00		For External Cal.	103	
8	8C	Voltage High Alarm (3.6V)	40	00	Reserved	72	00	For External Cal.	104		Real Time Rx Pwr MSB
9	A0		41	00	Reserved	73	00		For External Cal.	105	
10	75	Voltage Low Alarm(3.0V)	42	00	Reserved	74	00	For External Cal.	106		Reserved
11	30		43	00	Reserved	75	00		For External Cal.	107	
12	88	Voltage High Warming(3.5V)	44	00	Reserved	76	01	For External Cal.	108		Reserved
13	B8		45	00	Reserved	77	00		For External Cal.	109	
14	79	voltage Low Warming (3.1V)	46	00	Reserved	78	00	For External Cal.	110		Tx Dis, Tx Fault, Rx Los
15	18		47	00	Reserved	79	00		For External Cal.	111	
16	27	Tx Bias High Alarm(20mA)	48	00	Reserved	80	01	For External Cal.	112		Alarm Flag
17	10		49	00	Reserved	81	00		For External Cal.	113	
18	01	Tx BiasLow Alarm(1mA)	50	00	Reserved	82	00	For External Cal.	114		Reserved
19	F4		51	00	Reserved	83	00		For External Cal.	115	
20	1D	Tx Bias High Warming(15mA)	52	00	Reserved	84	01	For External Cal.	116		Warming Flag
21	4C		53	00	Reserved	85	00		For External Cal.	117	
22	03	Tx Bias Low Warming(2mA)	54	00	Reserved	86	00	For External Cal.	118		Reserved
23	E8		55	00	Reserved	87	00		For External Cal.	119	
24	27	Tx Power High Alarm (0dBm)	56	00	For External Cal.	88	01	For External Cal.	120		Vendor Specific
25	10		57	00	For External Cal.	89	00		For External Cal.	121	
26	05	Tx Power Low Alarm(-8.8dBm)	58	00	For External Cal.	90	00	For External Cal.	122		
27	26		59	00	For External Cal.	91	00		For External Cal.	123	
28	1F	Tx Power High Warming(-1dBm)	60	00	For External Cal.	92	00	For External Cal.	124		
29	07		61	00	For External Cal.	93	00		For External Cal.	125	
30	06	Tx Power Low Warming (-7.8dBm)	62	00	For External Cal.	94	00	For External Cal.	126		
31	7C		63	00	For External Cal.	95			Check Sum	127	

Note: Address 128 – 247: customer RW eeprom. Address 248 – 255: Vendor Specific.

Note: Specifications subject to change without notice.

Ordering Information

PN	Bit Rate (GB/s)	FC	Distance (m)	Wavelength (nm)	Package	Temp. (C)
XTM85B-MILY	14.025	16G / 8G / 4G	35/100/125*	850 VCSEL	SFP+ with DMI	0 to 70
XTM85B-MILE	14.025	16G / 8G / 4G	35/100/125*	850 VCSEL	SFP+ with DMI	-5 to 85
XTM85B-MILM	14.025	16G / 8G / 4G	35/100/125*	850 VCSEL	SFP+ with DMI	-40 to 85

*: 35m for OM2 MMF , 100m for OM3 MMF and 125 m for OM4 MMF. All tested at 14.025 Gb/s.

Notice. Please specify any compatibility requirements at time of ordering. Standard MSA compatible pluggable components may not work or some function of these components may not be available in devices that require customized compatible devices. Pluggable components compatible with one type of communications equipment may not work in other type of communications equipment.

Important Notice

Performance figures, data and any illustrative material provided in this data sheet are typical and must be specifically confirmed in writing by XENYA before they become applicable to any particular order or contract. In accordance with the XENYA policy of continuous improvement specifications may change without notice.

The publication of information in this data sheet does not imply freedom from patent or other protective rights of XENYA or others. Further details are available from any XENYA sales representative.

E-mail: info@xenia.si

Web: www.xenia.si