

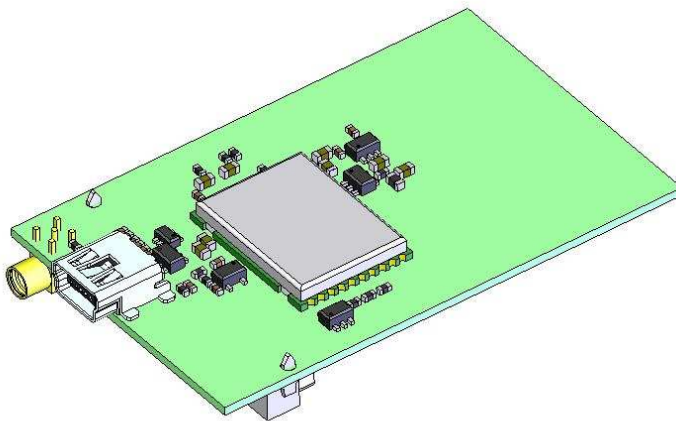
# **FASTRACK SUPREME IESM-GPS+USB**

## **Installation Guide**

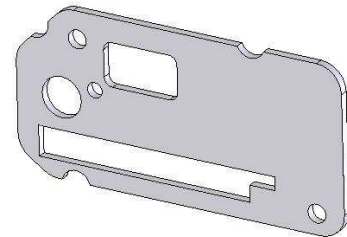
Reference: WA\_DEV\_Fastrk\_UGD\_003

Revision: 001

Date: 22 February 2007



**IESM – GPS+USB board**



**New IESM-GPS+USB Back plate**

## Document History

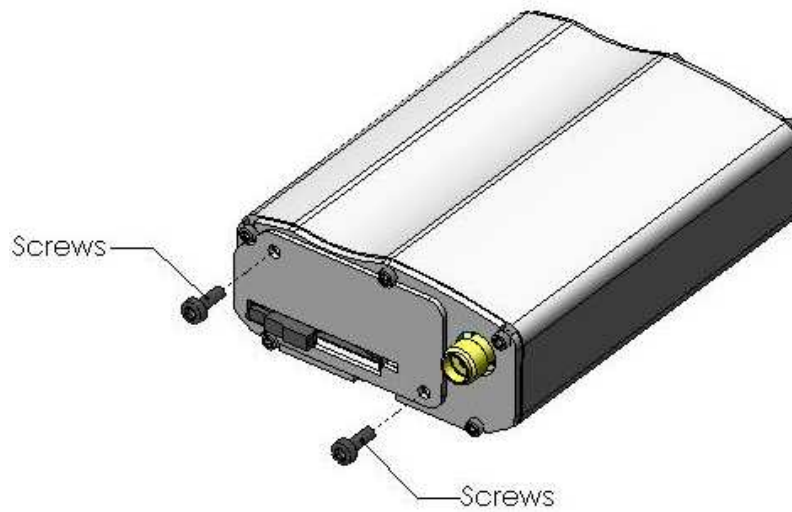
Revision	Date	List of revisions	
001	22 February, 07	First Issue	

## 1 Installation Instructions

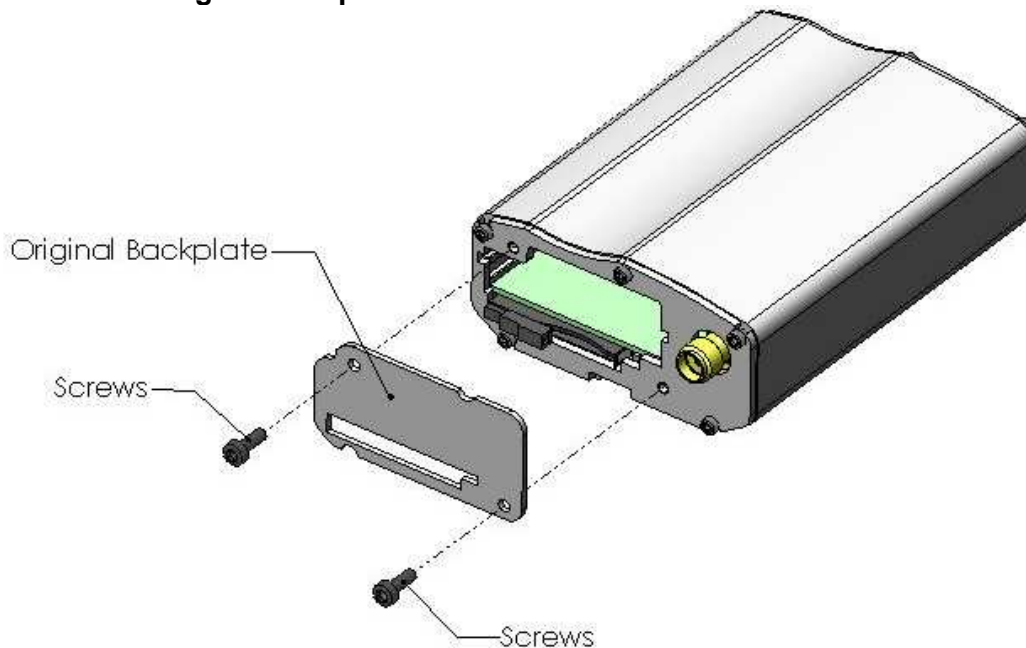
### IMPORTANT NOTICE

Remove power from the Fastrack Supreme before installing this accessory. Failure to do so may result to injury or damage to the product.

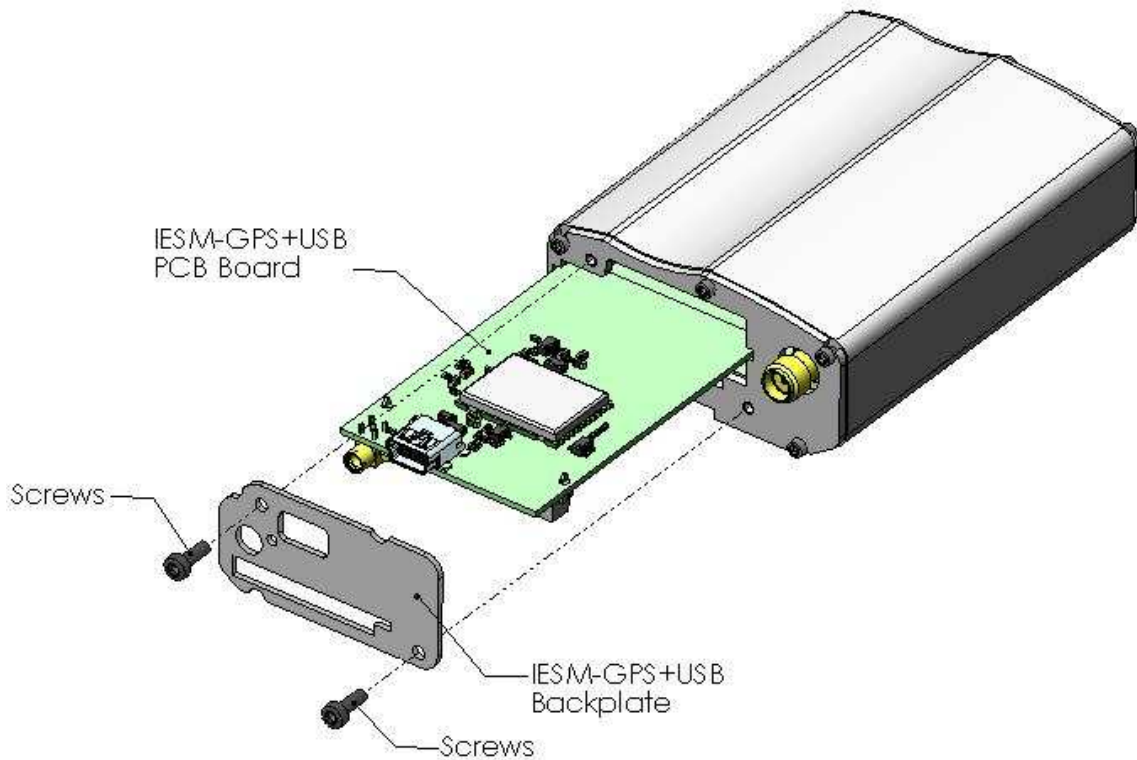
Step 1: Remove the two screws of the backplate



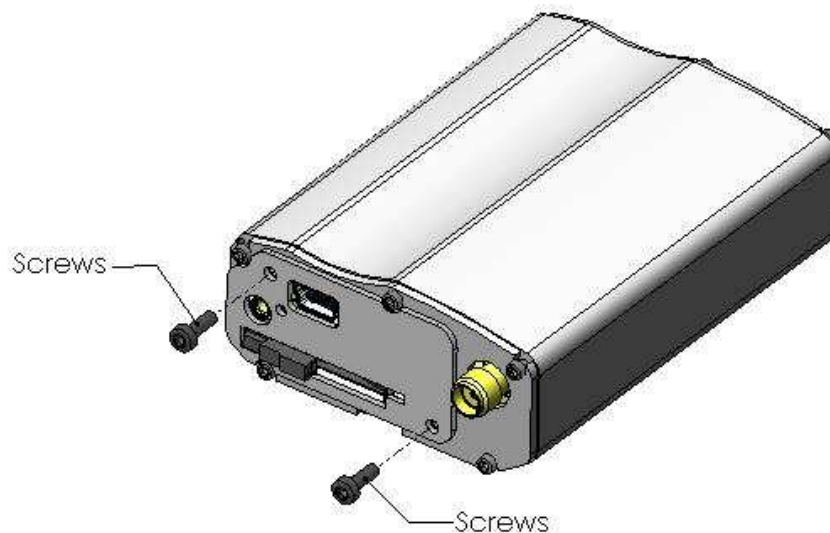
Step 2: Remove the original backplate



**Step 3: Align the IESM-GPS+USB board on the guide rail inside the Fastrack Supreme. Slide the board until the 50 pin connector mated.**



**Step 4: Place the new IESM-GPS+USB backplate provided and place back the two screws.**



## 2 Technical Features

Supply Voltages : 4VDC, 1.2V, 2.8V  
PCB Dimensions : 57mm x 35.7mm x 1mm  
Overall Dimensions : 59.5 x 35.7 x 10.01mm (including connectors)  
Weight : TBD  
Temperature Range : TBD

Connector Ports  
MMCX Connector : for GPS antenna (4VDC available)  
USB Port : USB 2.0 compliant