

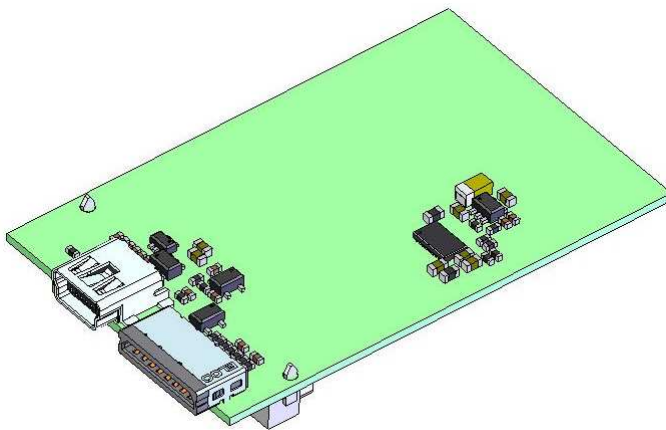
FASTRACK SUPREME IESM-IO+USB

Installation Guide

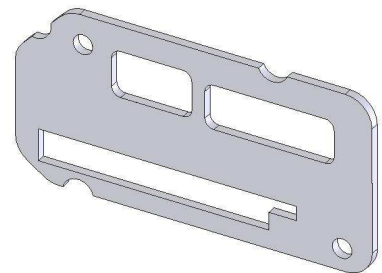
Reference: WA_DEV_Fastrk_UGD_005

Revision: 001

Date: 12 March 2007



IESM – IO+USB board



New IESM-IO+USB Back plate

Document History

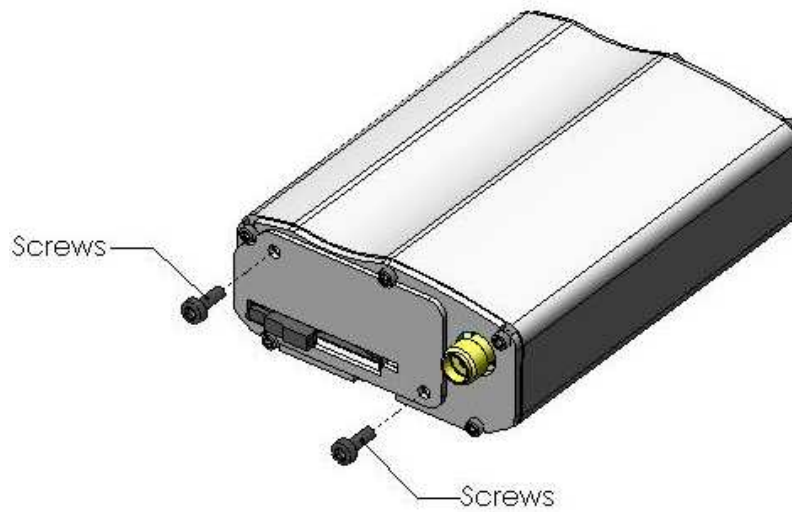
Revision	Date	List of revisions	
001	12 March, 07	First Issue	

1 Installation Instructions

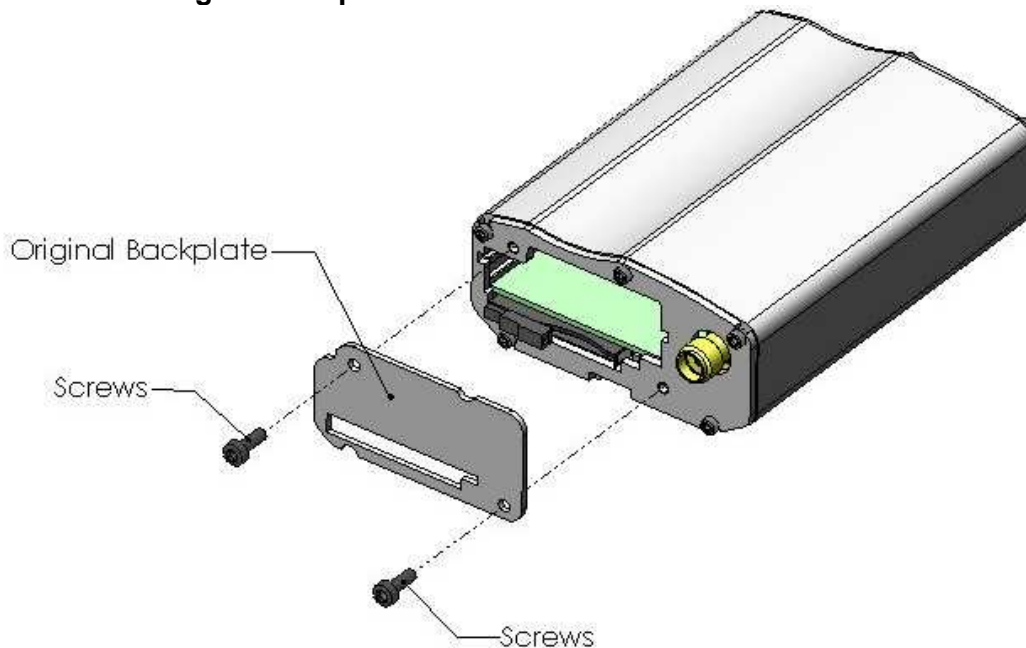
IMPORTANT NOTICE

Remove power from the Fastrack Supreme before installing this accessory. Failure to do so may result to injury or damage to the product.

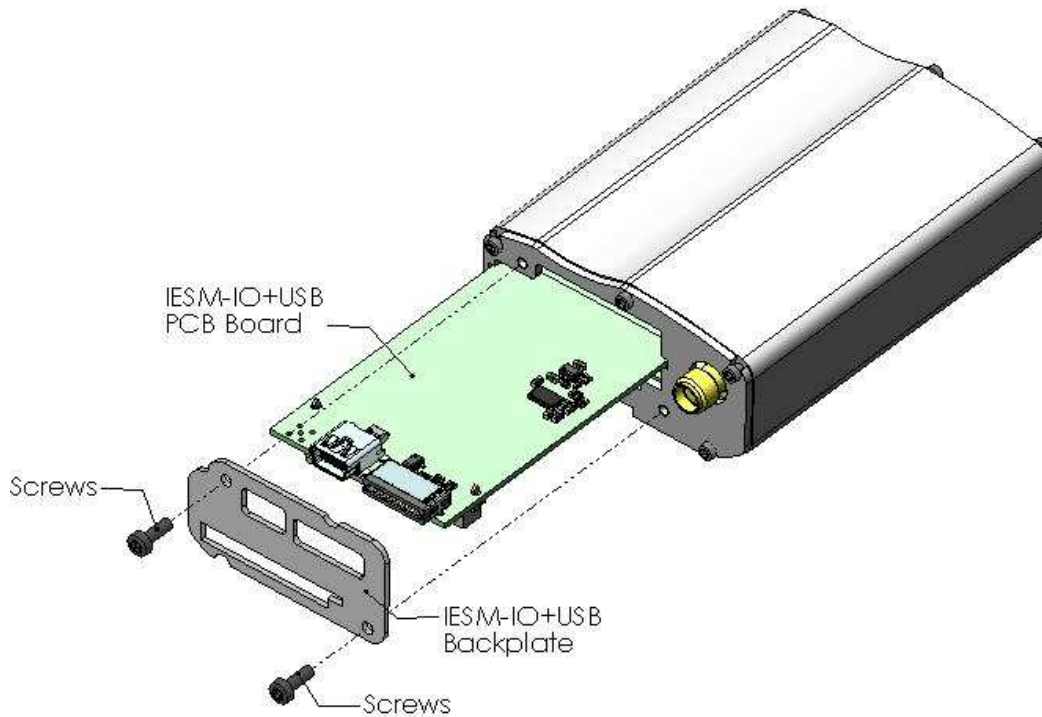
Step 1: Remove the two screws of the backplate



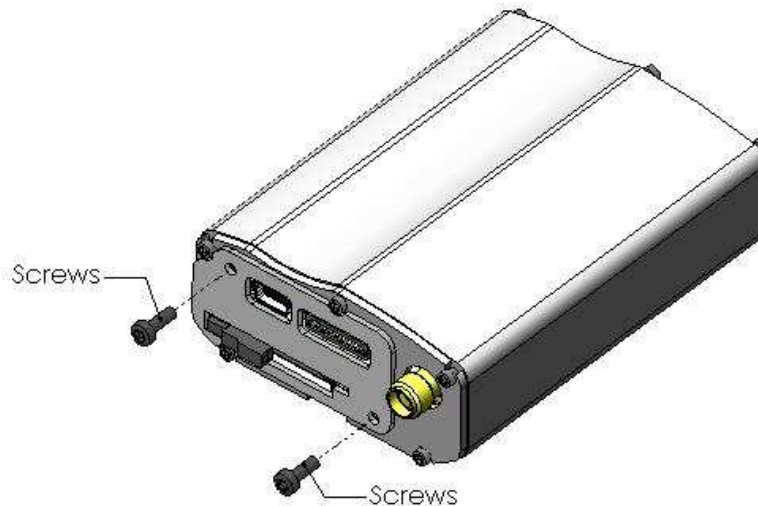
Step 2: Remove the original backplate



Step 3: Align the IESM-IO+USB board on the guide rail inside the Fastrack Supreme. Slide the board until the 50 pin connector mated.



Step 4: Place the new IESM-IO+USB backplate provided and place back the two screws.



2 Technical Features

Supply Voltages : 4VDC, 1.2V, 2.8V

PCB Dimensions : 57mm x 35.7mm x 1mm
Overall Dimensions : 59.5 x 35.7 x 10.01mm (including connectors)
Weight : TBD
Temperature Range : TBD

Connector Ports
16-Way IO Socket : IO expander
USB Port : USB 2.0 compliant