



OFL-12
MASS PRODUCTION POLISHER
PRODUCT SPECIFICATION

1. PROVISIONS

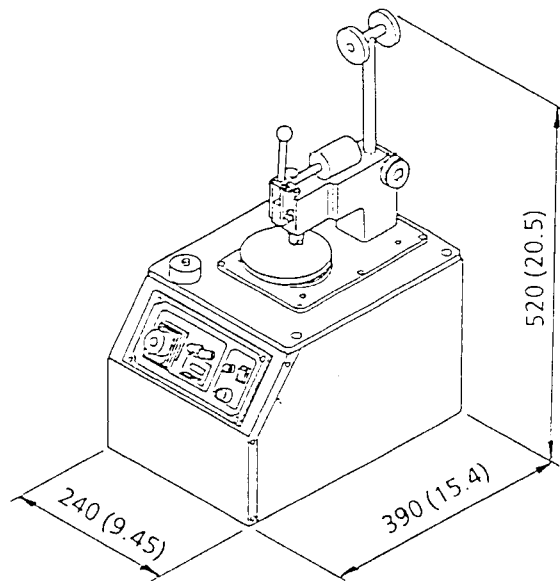
1.1 Application Limit

These specifications apply to the OFL-12 Mass Production Polisher.

2. GENERAL SPECIFICATIONS

2.1 Physical Dimensions and Weight

Physical dimensions	240 (W) × 390 (D) × 520 (H) mm (9.45 × 15.4 × 20.5 inches) (with fiber holder at the lowest position)
Weight	approximately 25 kg (55 lbs)



UNIT: mm (in)

Figure 1 External view

2.2 Electrical Specifications

Power supply	100 VAC, 50/60 Hz 115 VAC, 50/60 Hz 220 VAC, 50/60 Hz 240 VAC, 50/60 Hz
Power consumption	50 W

2.3 Functional Specifications

The OFL-12 can only polish ferrules that meet the following conditions:

Ferrule material and diameter

Zirconia (ZrO ₂)
Diameter: 2.5 mm (0.0984 inch)
Alumina ceramic capillary (when optional kit is used)
Diameter: 2.5 mm (0.0984 inch)
Zirconia capillary (when optional kit is used)
Diameter: 2.0 mm (0.0787 inch)

The OFL-12 can only polish assembled connectors and ferrules that meet the following condition:

Connector	ST type (Zirconia)
Other specifications	
No. of ferrules at one time	12 (per holding jig)
Timer	0 to 12 min. (in 30 sec. intervals)
Polished tip shape	R20 convex surface Flat (when optional kit is used) Angled flat (when optional kit is used) Angled PC (when optional kit is used)

Standard polishing specifications (R20 convex surface polishing)

Polishing time	4.0 minutes (excluding adhesive removal)
Polishing process	3 steps (excluding adhesive removal)
Return loss	40 dB or more
End curve radius	10 to 25 mm (0.394 to 0.984 inch)
End curve offset	50 μ m (0.00197 inch) or less
Fiber under-cut	0.1 μ m (3.9 μ in) or less

2.4 Environmental Specifications

Operating environment

Operating temperature	10° to 40°C (50° to 104°F) (noncondensing)
Relative humidity	15% to 85%
Vibration	operating: 0.25 G 5 to 100 Hz 10 min. powered-off: 0.50 G 5 to 100 Hz 20 min.
Acceptable impact	50 mm (1.97 inch) drop (one side)

Storage environment

Environmental temperature	- 40° to 85°C (- 40° to 185°F)(noncondensing)
Vibration	1.0G 5 to 100Hz 40 min.
Acceptable impact	45 cm (17.7 inch) drop (JIS Z 0200 Level II)

2.5 Warranty

Free repair guarantee
Guarantee condition

1 year after purchase
only for manufacturing defects

2.6 Reliability

Lifetime

5000 hours (8 hrs/day, 200 days/yr for 3 yrs)

2.7 Consumable Items

The available consumable items are listed in Table 1.

Table 1 Consumable Items

No.	Part	Part code	Qty.	Remarks
1	Polishing film (adhesive removal)	110-W-001	100 sheets	change after 1 use
2	Polishing film (grinding)	110-W-002	10 sheets	change after 10 use
3	Polishing film (polishing)	110-W-003	10 sheets	change after 10 use
4	Polishing film (finishing)	110-W-004	10 sheets	change after 10 use
5	Polishing fluid	110-A-001	2 (100 ml x 2)	can polish approximately 600 ferrules per container (12 ferrules at one time, 50 uses)
6	Standard consumable supplies kit	110-S-001	1 set	contents: Polishing film adhesive removal x 100 grinding x 10 polishing x 10 finishing x 10 Polishing fluid x 2 can polish approximately 1200 ferrules per kit (12 ferrules at one time, 100 uses)

2.8 Shipped Items

The items listed in Table 2 are shipped with the OFL-12. Each item can also be purchased individually.

Table 2 Standard Parts

No.	Part	Part code	Qty.	Remarks
1	Basic machine	OFL-12	1	
2	Holding jig	110-J-001	1	for 2.5 mm dia.
3	Polishing disk	110-D-001	1	synthetic rubber disk
4	Adhesive removal pad	110-O-001	1	synthetic rubber sheet
5	Polishing film (adhesive removal)	(110-W-001)	10* sheets	abrasive paper
6	Polishing film (grinding)	(110-W-002)	1* sheet	green label
7	Polishing film (polishing)	(110-W-003)	1* sheet	yellow label
8	Polishing film (finishing)	(110-W-004)	1* sheet	white label
9	Polishing fluid	(110-A-001)	1*	100 ml
10	Squeezable dropper bottle	110-O-002	2	50 ml x 2
11	Power cord	110-O-003	1	2 m
12	Fuse	70-O-008 or 120-O-003	1	125 V, 2 A or 250 V, 1 A
13	Ball-end hex wrench	110-O-005	1	
14	Instruction manual	120-O-002	1	
15	Soft brush	110-O-010	1	
16	Adaptor (Grounding adaptor)	70-O-016	1	

* The quantity listed is the quantity included in the standard OFL-12 package. See Table 1 for the quantities included in additional orders of individual items.

2.9 Options

The available optional items are listed in Table 3.

Table 3 Options

Part	Part code	Qty.	Remarks
Setup stand	110-O-006	1	
Holding jig for D4	110-J-002	1	for zirconia capillary ferrule (diameter: 2.0mm (0.0787 inch))
Polishing disk for flat polishing	110-D-002	1	for flat polishing and angled flat polishing
Angled PC polishing set (minimum set)	110-NK-002	1 set	for angled PC polishing
OFL-12 consumer supplies kit for alumina ceramic capillary ferrule	110-S-002	1 set	for alumina ceramic capillary ferrule