

DM7036- Small Form-Factor Pluggable (SFP) Copper Loopback

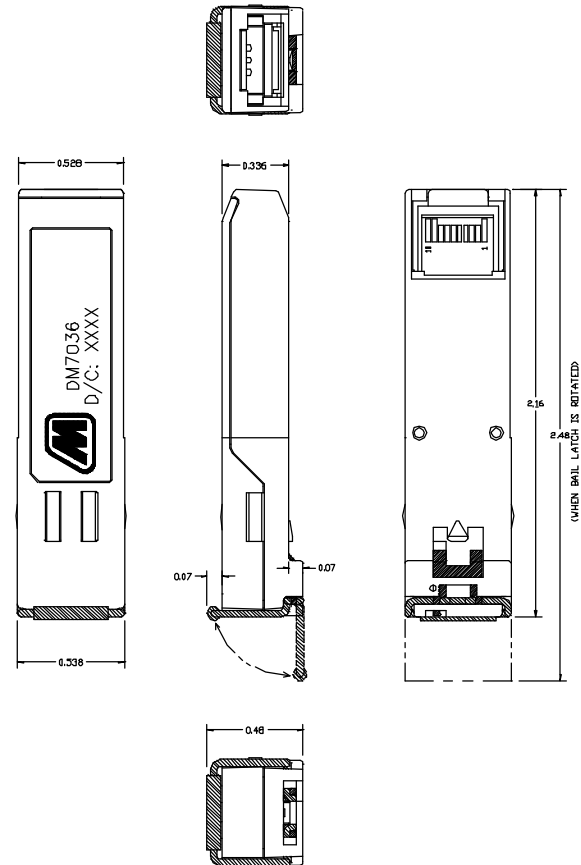


Features

- Compliant with Small Form-Factor Pluggable (SFP) Transceiver Multi-Source Agreement (MSA)
- 2.5Gbps Data Rates Supported
- Supported Standards:
 - Fibre Channel
 - Gigabit Ethernet
 - Infiniband
- Hot Pluggable
- Serial ID Support
- Die Cast Housing for Exceptional EMI Performance

Specifications

- Housing:
 - Material: Zinc Zamac 3
 - Plating: Copper Nickel
- Grounding Tabs:
 - Material: Phosphor Bronze
 - Plating: Tin Lead
- PCB:
 - Material: .039" Thick FR4
 - Plating: 20uIN Gold over 50uIN Nickel



✓ ISO 9001 Certified

www.methode.com