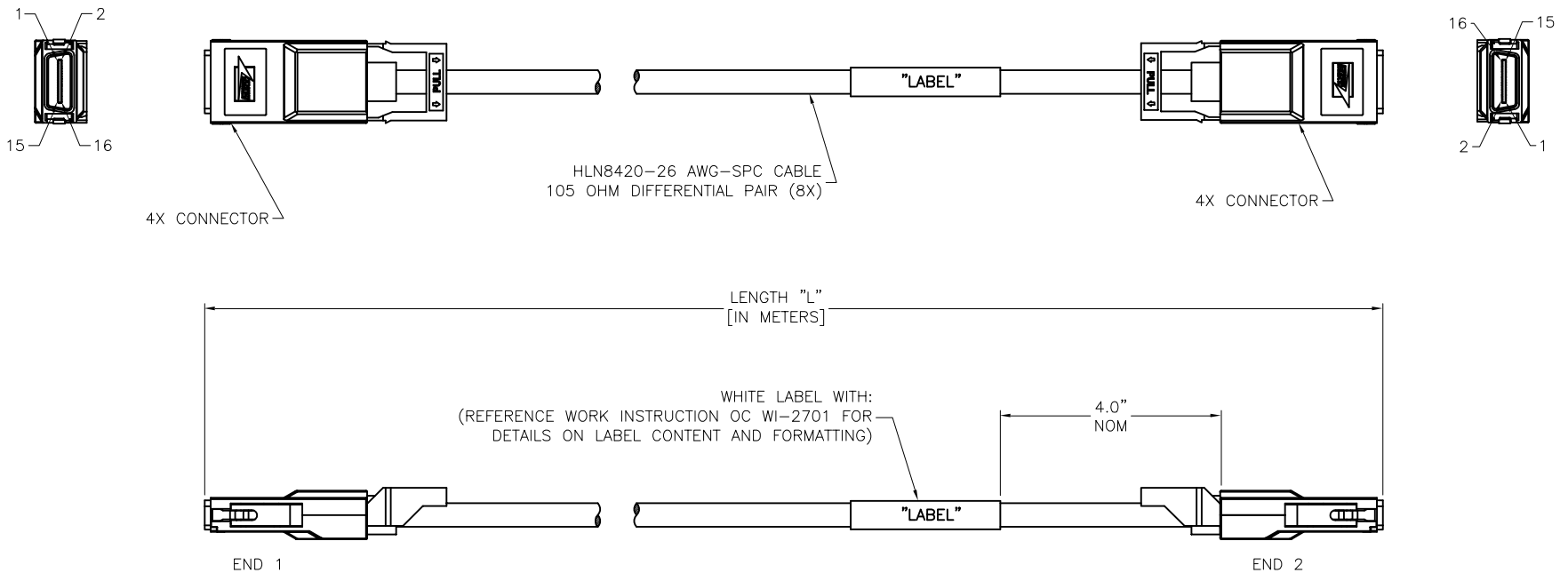


REVISIONS			
LTR.	DESCRIPTION	DATE	APP.
B	DCN NO 03-216	10/01/03	



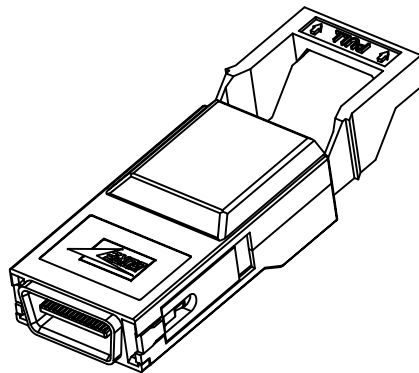
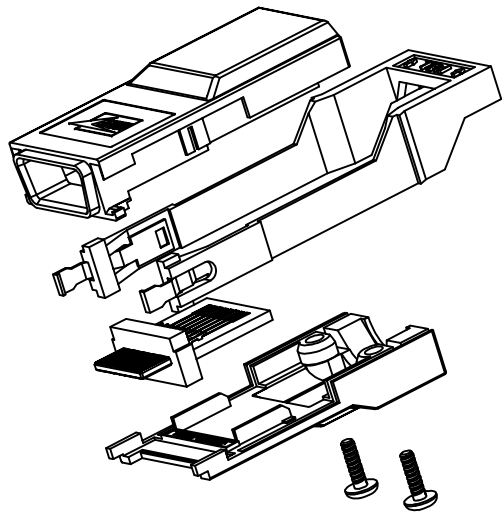
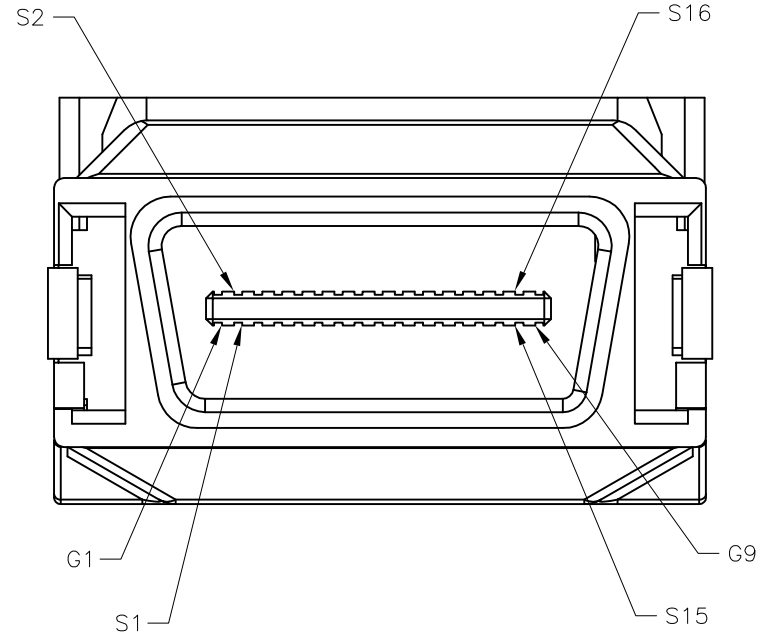
- NOTES:
- 1- DIFFERENTIAL Z_0 SHALL BE 105 ± 5 OHMS BETWEEN LEGS OF ANY DIFFERENTIAL PAIR.
 - 2- MAXIMUM DIFFERENTIAL SKEW BETWEEN LEGS OF ANY DIFFERENTIAL PAIR IS RECOMMENDED TO BE LESS THAN 120 PSEC.
 - 3- CROSSTALK: $\leq 4\%$
 - 4- LENGTH TOLERANCE: 5 METERS AND UNDER $+4.0$ INCHES/ -0.0 INCHES
OVER 5 METERS $+6.0$ INCHES/ -0.0 INCHES
 - 5- CABLE EMI SHIELD SHALL BE TERMINATED TO BOTH CONNECTOR SHELLS.
 - 6- CUSTOMER WILL SPECIFY LENGTH (IN METERS) BY INSERTING DESIRED LENGTH AS A DASH NUMBER AFTER THE IBN PART NUMBER WHEN ORDERING.
 - 7- CONNECTOR PINOUT AND DETAIL ON PAGE 2.

© 2003 W. L. Gore & Associates, Inc.


DIMENSIONS IN INCHES TOLERANCES UNLESS OTHERWISE SPECIFIED		W. L. GORE & ASSOCIATES, INC. (Gore) P.O. BOX 8038, NEWARK, DELAWARE 19714	
.XX \pm N/A	.XXX \pm N/A	<small>By acceptance of this document you agree that all rights to drawings, specifications, processes, and other data contained therein, as well as the proprietary and novel features of the subject matter, are reserved by Gore and are disclosed in confidence. They are not to be manufactured, used, sold or disclosed to others, nor are devices embodying such features or information derived from these disclosures to be used or disclosed, unless and until expressly authorized by Gore. These drawings, specifications, processes, etc., are and remain the property of Gore and are not to be copied or reproduced without express permission, and are to be returned upon request therefor.</small>	
ANGLES N/A	SURFACE TEXTURE N/A	MATERIAL	HEAT TREAT
DO NOT SCALE DRAWING	DEBURR SHARP EDGES	N/A	N/A
BREAKS & FILLETS N/A MAX.		TITLE	FINISH
			N/A
SCALE	DRW. ECL	TITLE CX4 ASSEMBLY - IBN6600-L	
1:1	07/29/03	CHK.	APP.
		DRAWING NUMBER	
		547C10092	
		SHEET	REV.
		1of2	B

REVISIONS			
LTR.	DESCRIPTION	DATE	APP.
B	DCN NO 03-216	10/01/03	

WIRING CHART			
END 1		END 2	
POS. #	ASSIGN	POS. #	ASSIGN
G1-G8	SIGNAL GROUND	G1-G8	SIGNAL GROUND
1	R+ (BIT 0)	16	T+ (BIT 0)
2	R- (BIT 0)	15	T- (BIT 0)
3	R+ (BIT 1)	14	T+ (BIT 1)
4	R- (BIT 1)	13	T- (BIT 1)
5	R+ (BIT 2)	12	T+ (BIT 2)
6	R- (BIT 2)	11	T- (BIT 2)
7	R+ (BIT 3)	10	T+ (BIT 3)
8	R- (BIT 3)	9	T- (BIT 3)
9	T- (BIT 3)	8	R- (BIT 3)
10	T+ (BIT 3)	7	R+ (BIT 3)
11	T- (BIT 2)	6	R- (BIT 2)
12	T+ (BIT 2)	5	R+ (BIT 2)
13	T- (BIT 1)	4	R- (BIT 1)
14	T+ (BIT 1)	3	R+ (BIT 1)
15	T- (BIT 0)	2	R- (BIT 0)
16	T+ (BIT 0)	1	R+ (BIT 0)
HOUSING	CHASSIS GROUND	HOUSING	CHASSIS GROUND



© 2003 W. L. Gore & Associates, Inc.

DIMENSIONS IN INCHES TOLERANCES UNLESS OTHERWISE SPECIFIED		 W. L. GORE & ASSOCIATES, INC. (Gore) P.O. BOX 8038, NEWARK, DELAWARE 19714	
.XX ± N/A	.XXX ± N/A	<small>By acceptance of this document you agree that all rights to drawings, specifications, processes, and other data contained therein, as well as the proprietary and novel features of the subject matter, are reserved by Gore and are disclosed in confidence. They are not to be manufactured, used, sold or disclosed to others, nor are devices embodying such features or information derived from these disclosures to be used or disclosed, unless and until expressly authorized by Gore. These drawings, specifications, processes, etc., are and remain the property of Gore and are not to be copied or reproduced without express permission, and are to be returned upon request therefor.</small>	
.XXX ± N/A	ANGLES N/A	MATERIAL	HEAT TREAT
SURFACE TEXTURE N/A	DO NOT SCALE DRAWING	N/A	N/A
DEBURR SHARP EDGES	BREAKS & FILLETS N/A MAX.	FINISH	N/A
SCALE	DRW. ECL	TITLE	
1:1	07/29/03	CX4 ASSEMBLY - IBN6600-L	
CHK.	APP.	DRAWING NUMBER	SHEET REV.
		547C10092	2of2 B