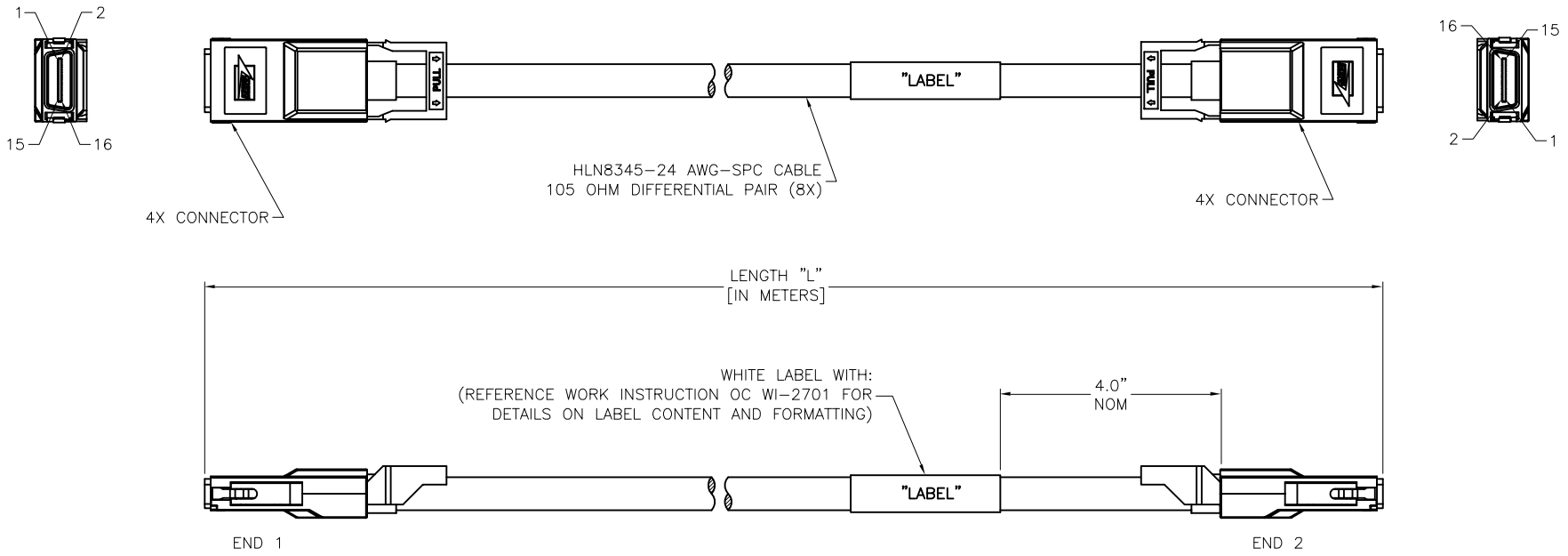



REVISIONS			
LTR.	DESCRIPTION	DATE	APP.
B	DCN NO 03-216	10/01/03	



NOTES:

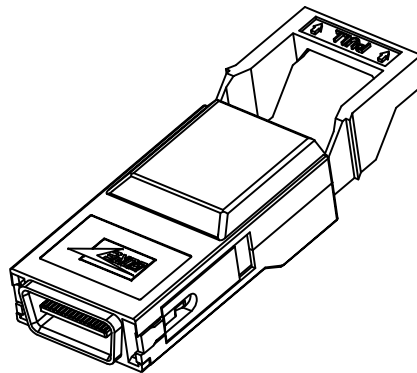
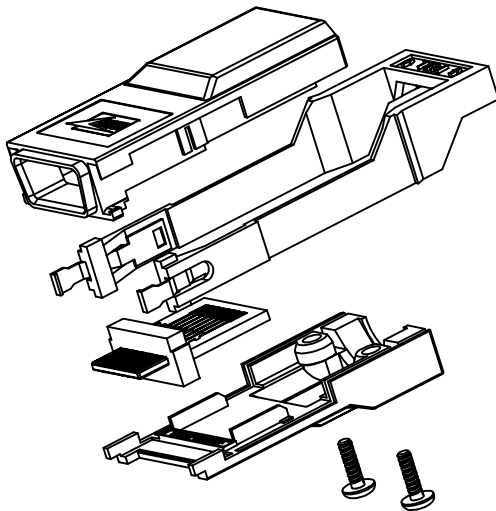
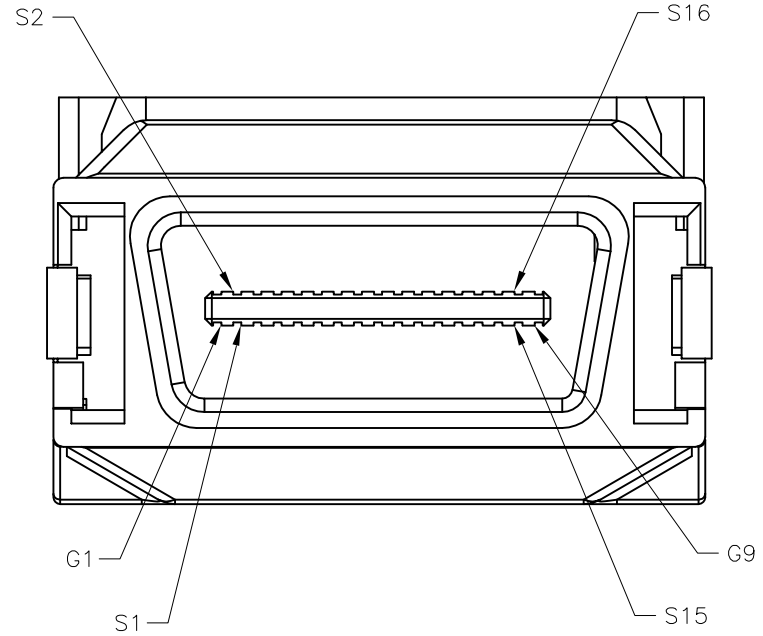
- 1- DIFFERENTIAL  $Z_0$  SHALL BE  $105 \pm 5$  OHMS BETWEEN LEGS OF ANY DIFFERENTIAL PAIR.
- 2- MAXIMUM DIFFERENTIAL SKEW BETWEEN LEGS OF ANY DIFFERENTIAL PAIR IS RECOMMENDED TO BE LESS THAN 120 PSEC.
- 3- CROSSTALK:  $\leq 4\%$
- 4- LENGTH TOLERANCE: 5 METERS AND UNDER  $+4.0$  INCHES/ $-0.0$  INCHES  
OVER 5 METERS  $+6.0$  INCHES/ $-0.0$  INCHES
- 5- CABLE EMI SHIELD SHALL BE TERMINATED TO BOTH CONNECTOR SHELLS.
- 6- CUSTOMER WILL SPECIFY LENGTH (IN METERS) BY INSERTING DESIRED LENGTH AS A DASH NUMBER AFTER THE IBN PART NUMBER WHEN ORDERING.
- 7- CONNECTOR PINOUT AND DETAIL ON PAGE 2.

© 2003 W. L. Gore & Associates, Inc.


DIMENSIONS IN INCHES TOLERANCES UNLESS OTHERWISE SPECIFIED		 <b>W. L. GORE &amp; ASSOCIATES, INC. (Gore)</b> P.O. BOX 8038, NEWARK, DELAWARE 19714	
.XX $\pm$ N/A	.XXX $\pm$ N/A	By acceptance of this document you agree that all rights to drawings, specifications, processes, and other data contained therein, as well as the proprietary and novel features of the subject matter, are reserved by Gore and are disclosed in confidence. They are not to be manufactured, used, sold or disclosed to others, nor are devices embodying such features or information derived from these disclosures to be used or disclosed, unless and until expressly authorized by Gore. These drawings, specifications, processes, etc., are and remain the property of Gore and are not to be copied or reproduced without express permission, and are to be returned upon request therefor.	
.XXX $\pm$ N/A	ANGLES N/A	MATERIAL	HEAT TREAT
SURFACE TEXTURE N/A		N/A	N/A
DO NOT SCALE DRAWING		FINISH	
DEBURR SHARP EDGES		N/A	
BREAKS & FILLETS N/A MAX.		TITLE	
SCALE		CX4 ASSEMBLY - IBN6000-L	
1:1	DRW. ECL 07/29/03	CHK.	APP.
DRAWING NUMBER		SHEET	REV.
547C10091		1of2	B

REVISIONS			
LTR.	DESCRIPTION	DATE	APP.
B	DCN NO 03-216	10/01/03	

WIRING CHART			
END 1		END 2	
POS. #	ASSIGN	POS. #	ASSIGN
G1-G8	SIGNAL GROUND	G1-G8	SIGNAL GROUND
1	R+ (BIT 0)	16	T+ (BIT 0)
2	R- (BIT 0)	15	T- (BIT 0)
3	R+ (BIT 1)	14	T+ (BIT 1)
4	R- (BIT 1)	13	T- (BIT 1)
5	R+ (BIT 2)	12	T+ (BIT 2)
6	R- (BIT 2)	11	T- (BIT 2)
7	R+ (BIT 3)	10	T+ (BIT 3)
8	R- (BIT 3)	9	T- (BIT 3)
9	T- (BIT 3)	8	R- (BIT 3)
10	T+ (BIT 3)	7	R+ (BIT 3)
11	T- (BIT 2)	6	R- (BIT 2)
12	T+ (BIT 2)	5	R+ (BIT 2)
13	T- (BIT 1)	4	R- (BIT 1)
14	T+ (BIT 1)	3	R+ (BIT 1)
15	T- (BIT 0)	2	R- (BIT 0)
16	T+ (BIT 0)	1	R+ (BIT 0)
HOUSING	CHASSIS GROUND	HOUSING	CHASSIS GROUND



© 2003 W. L. Gore & Associates, Inc.

DIMENSIONS IN INCHES TOLERANCES UNLESS OTHERWISE SPECIFIED		 <b>W. L. GORE &amp; ASSOCIATES, INC. (Gore)</b> P.O. BOX 8038, NEWARK, DELAWARE 19714	
.XX ± N/A	.XXX ± N/A	By acceptance of this document you agree that all rights to drawings, specifications, processes, and other data contained herein, as well as the proprietary and novel features of the subject matter, are reserved by Gore and are disclosed in confidence. They are not to be manufactured, used, sold or disclosed to others, nor are devices embodying such features or information derived from these disclosures to be used or disclosed, unless and until expressly authorized by Gore. These drawings, specifications, processes, etc., are and remain the property of Gore and are not to be copied or reproduced without express permission, and are to be returned upon request therefor.	
.XXX ± N/A	ANGLES N/A	MATERIAL	HEAT TREAT
SURFACE TEXTURE N/A		N/A	N/A
DO NOT SCALE DRAWING		FINISH	
DEBURR SHARP EDGES		N/A	
BREAKS & FILLETS N/A MAX.		TITLE	
SCALE		CX4 ASSEMBLY - IBN6000-L	
1:1	DRW. ECL	CHK.	APP.
	07/29/03		
DRAWING NUMBER		SHEET	REV.
547C10091		2of2	B