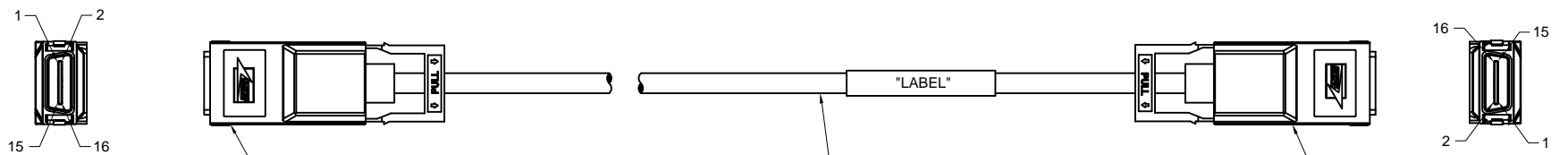


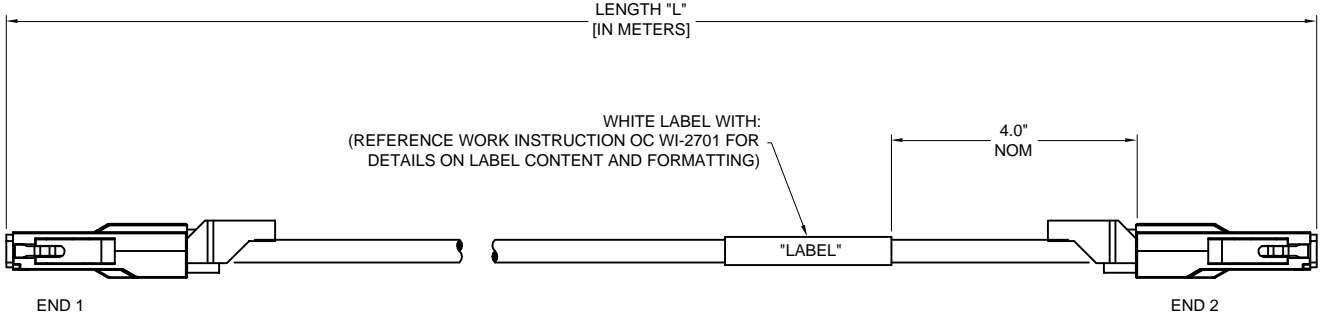
8 7 6 5 4 3 2 1



INFINIBAND
4X CONNECTOR

28 AWG CABLE
105 OHM DIFFERENTIAL PAIR (8X)

INFINIBAND
4X CONNECTOR



LENGTH "L"
[IN METERS]

WHITE LABEL WITH:
(REFERENCE WORK INSTRUCTION OC WI-2701 FOR
DETAILS ON LABEL CONTENT AND FORMATTING)

4.0"
NOM

END 1

END 2

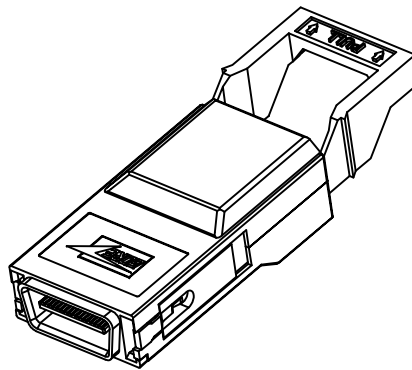
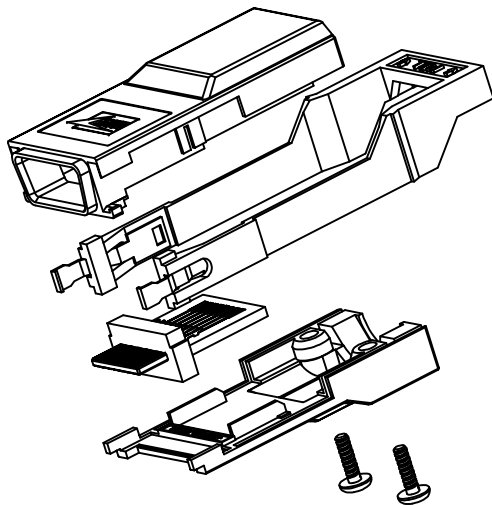
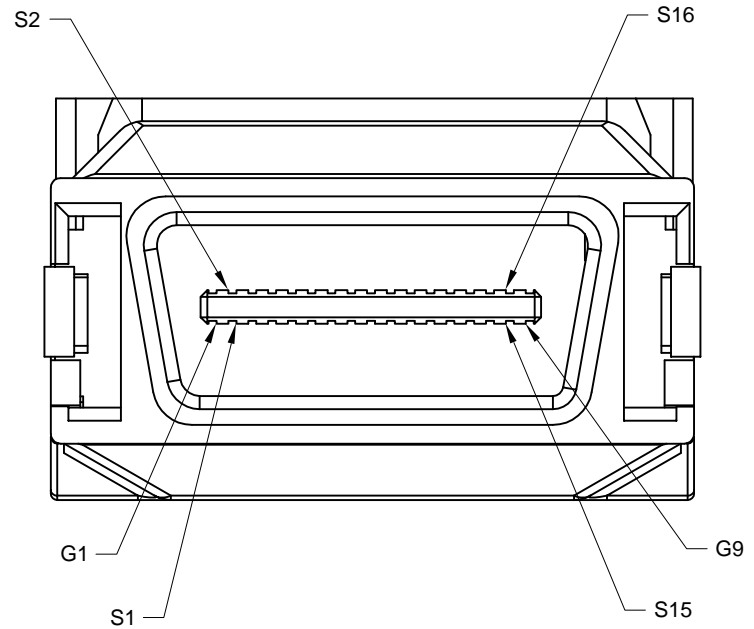
NOTES:

- 1- DIFFERENTIAL Z_0 SHALL BE 105 ± 5 OHMS BETWEEN LEGS OF ANY DIFFERENTIAL PAIR.
- 2- MAXIMUM DIFFERENTIAL SKEW BETWEEN LEGS OF ANY DIFFERENTIAL PAIR IS RECOMMENDED TO BE LESS THAN 120 PSEC.
- 3- CROSSTALK: $< 4\%$
- 4- MINIMUM EYE DIMENSIONS: HEIGHT: 316 mV, WIDTH: 300ps, JITTER: 100 ps.
- 5- MAXIMUM ASSEMBLY INSERTION LOSS: 10dB @ 1.25 GHz
- 6- LENGTH TOLERANCE: 5 METERS AND UNDER +4.0 INCHES/-0.0 INCHES
OVER 5 METERS +6.0 INCHES/-0.0 INCHES
- 7- CABLE EMI SHIELD SHALL BE TERMINATED TO BOTH CONNECTOR SHELLS.
- 8- CUSTOMER WILL SPECIFY LENGTH (IN METERS) BY INSERTING DESIRED LENGTH AS A DASH NUMBER AFTER THE IBN PART NUMBER WHEN ORDERING.
- 9- CONNECTOR PINOUT AND DETAIL ON PAGE 2.

		W. L. GORE & ASSOCIATES, INC. (Gore) Electronic Products Division P.O. Box 160, Elkton, Maryland 21922-0160 <small>© 2003 W. L. Gore & Associates, Inc.</small>		<small>By acceptance of this document you agree that all rights to drawings, specifications, processes and other data contained therein, as well as the proprietary and novel features of the subject matter, are reserved by Gore and are disclosed in confidence. They are not to be manufactured, used, sold or disclosed to others, nor are devices embodying such features or information derived from these disclosures to be used or disclosed, unless and until expressly authorized by Gore. These drawings, specifications, processes, etc., are and remain the property of Gore and are not to be copied or reproduced without express permission, and are to be returned upon request therefor.</small>	
DEFECT CLASSIFICATION KEY Absence of a defect symbol from any feature indicates minor classification		DIMENSIONS ARE IN INCHES DO NOT SCALE DRAWING DEBURR SHARP EDGES		UNLESS OTHERWISE SPECIFIED .X ± N/A .XX ± N/A .XXX ± N/A .XXXX ± N/A FRACTIONS ± N/A ANGLES ± N/A SURFACE TEXTURE N/A ✓ BREAKS AND FILLETS N/A MAX	
▼ Critical Feature ▽ Major 1 Feature ▽ Major 2 Feature ▽ Plating Verification	Third Angle Projection <small>INTERPRET DRAWING IN ACCORDANCE WITH ASME Y14.5M-1994 (R1999)</small>	Drawn: ECL Date: 19 FEB 2003	Check: <input type="checkbox"/>	Approval: <input type="checkbox"/>	Title: INFINIBAND 4X ASSEMBLY - IBN4800-L
Material: N/A Heat Treat: N/A Finish: N/A		Dwg Size: C	Sheet: 1 of 2	Scale: 1:1	Drawing Number: 54710079
Revision: C		Rev Date: 17 MAY 2005	Rev Description: DCN NO 05-068		Rev Level: D

8 7 6 5 4 3 2 1

WIRING CHART			
END 1		END 2	
POS. #	ASSIGN	POS. #	ASSIGN
G1-G8	SIGNAL GROUND	G1-G8	SIGNAL GROUND
1	R+ (BIT 0)	16	T+ (BIT 0)
2	R- (BIT 0)	15	T- (BIT 0)
3	R+ (BIT 1)	14	T+ (BIT 1)
4	R- (BIT 1)	13	T- (BIT 1)
5	R+ (BIT 2)	12	T+ (BIT 2)
6	R- (BIT 2)	11	T- (BIT 2)
7	R+ (BIT 3)	10	T+ (BIT 3)
8	R- (BIT 3)	9	T- (BIT 3)
9	T- (BIT 3)	8	R- (BIT 3)
10	T+ (BIT 3)	7	R+ (BIT 3)
11	T- (BIT 2)	6	R- (BIT 2)
12	T+ (BIT 2)	5	R+ (BIT 2)
13	T- (BIT 1)	4	R- (BIT 1)
14	T+ (BIT 1)	3	R+ (BIT 1)
15	T- (BIT 0)	2	R- (BIT 0)
16	T+ (BIT 0)	1	R+ (BIT 0)
HOUSING	CHASSIS GROUND	HOUSING	CHASSIS GROUND



		W. L. GORE & ASSOCIATES, INC. (Gore) Electronic Products Division P.O. Box 160, Elkton, Maryland 21922-0160 <small>© 2003 W. L. Gore & Associates, Inc.</small>		<small>By acceptance of this document you agree that all rights to drawings, specifications, processes and other data contained therein, as well as the proprietary and novel features of the subject matter, are reserved by Gore and are disclosed in confidence. They are not to be manufactured, used, sold or disclosed to others, nor are devices embodying such features or information derived from these disclosures to be used or disclosed, unless and until expressly authorized by Gore. These drawings, specifications, processes, etc., are and remain the property of Gore and are not to be copied or reproduced without express permission, and are to be returned upon request therefor.</small>	
DEFECT CLASSIFICATION KEY <small>Absence of a defect symbol from any feature indicates minor classification</small>		DIMENSIONS ARE IN INCHES		UNLESS OTHERWISE SPECIFIED	
Critical Feature	DO NOT SCALE DRAWING	DEBURR SHARP EDGES		.X ± N/A .XX ± N/A .XXX ± N/A .XXXX ± N/A FRACTIONS ± N/A ANGLES ± N/A	
Major 1 Feature	Third Angle Projection		SURFACE TEXTURE N/A ✓ BREAKS AND FILLETS N/A MAX		
Major 2 Feature	INTERPRET DRAWING IN ACCORDANCE WITH ASME Y14.5M-1994 (R1999)				
Plating Verification	Drawn ECL 19 FEB 2003 Check <input type="checkbox"/> Approval <input type="checkbox"/>				
Material N/A		Heat Treat N/A		Finish N/A	
Title INFINIBAND 4X ASSEMBLY - IBN4800-L					
Dwg Size C	Sheet 2 of 2	Scale 1:1	Drawing Number 54710079		
Revision	Rev Date 17 MAY 2005	Rev Description DCN NO 05-068		Rev Level D	