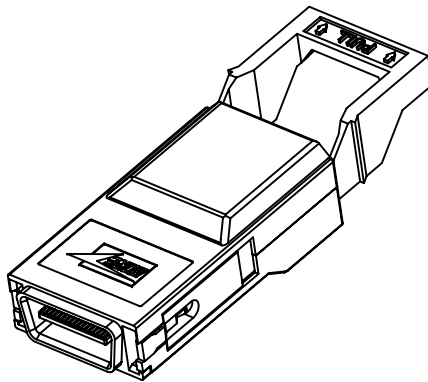
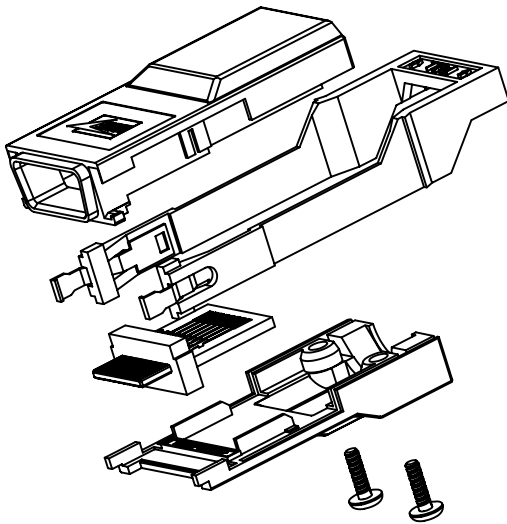
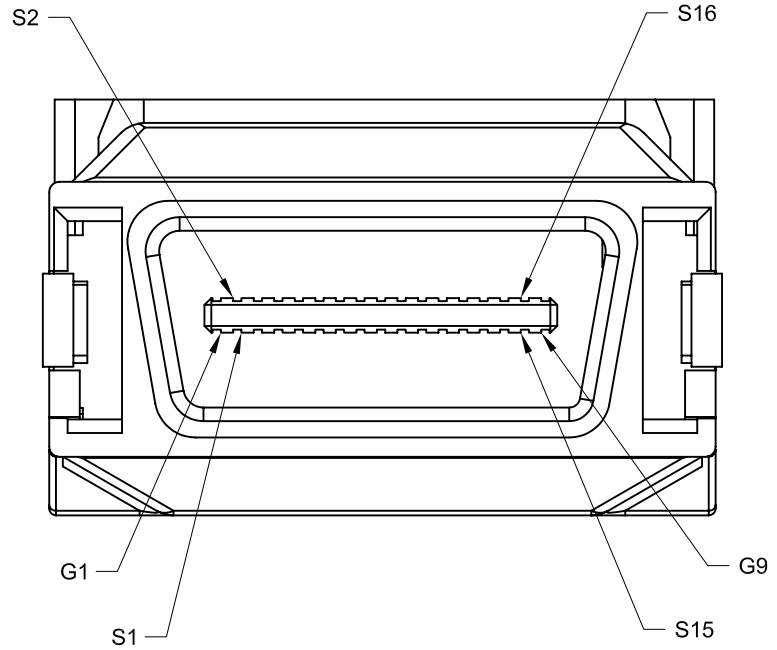


NOTES:

- 1- DIFFERENTIAL Z_0 SHALL BE 105 ± 5 OHMS BETWEEN LEGS OF ANY DIFFERENTIAL PAIR.
- 2- MAXIMUM DIFFERENTIAL SKEW BETWEEN LEGS OF ANY DIFFERENTIAL PAIR IS RECOMMENDED TO BE LESS THAN 120 PSEC.
- 3- CROSSTALK: $\leq 4\%$
- 4- MINIMUM EYE DIMENSIONS: HEIGHT: 316 mV, WIDTH: 300ps, JITTER: 100 ps.
- 5- MAXIMUM ASSEMBLY INSERTION LOSS: 10dB @ 1.25 GHz
- 6- LENGTH TOLERANCE: 5 METERS AND UNDER +4.0 INCHES/-0.0 INCHES
OVER 5 METERS +6.0 INCHES/-0.0 INCHES
- 7- CABLE EMI SHIELD SHALL BE TERMINATED TO BOTH CONNECTOR SHELLS.
- 8- CUSTOMER WILL SPECIFY LENGTH (IN METERS) BY INSERTING DESIRED LENGTH AS A DASH NUMBER AFTER THE IBN PART NUMBER WHEN ORDERING.
- 9- CONNECTOR PINOUT AND DETAIL ON PAGE 2.
- 10- THE GORE IBN4300-L CABLE ASSEMBLY IS MANUFACTURED WITH CABLE THAT IS "UL CL2" RATED (CL2 75C UL). THE CONNECTORS AND ALL COMPONENTS ARE "UL FLAMMABILITY 94 V-0" RATED.

		W. L. GORE & ASSOCIATES, INC. (Gore) Electronic Products Division P.O. Box 160, Elkton, Maryland 21922-0160 © 2003 W. L. Gore & Associates, Inc.		<small>By acceptance of this document you agree that all rights to drawings, specifications, processes and other data contained therein, as well as the proprietary and novel features of the subject matter, are reserved by Gore and are disclosed in confidence. They are not to be manufactured, used, sold or disclosed to others, nor are devices embodying such features or information derived from these disclosures to be used or disclosed, unless and until expressly authorized by Gore. These drawings, specifications, processes, etc., are and remain the property of Gore and are not to be copied or reproduced without express permission, and are to be returned upon request therefor.</small>	
		Drawn: ECL 25 NOV 2003 Material: N/A Heat Treat: N/A Finish: N/A Title: INFINIBAND 4X ASSEMBLY - IBN4300-L Dwg Size: C Sheet: 1 of 2 Scale: 1:1 Drawing Number: 54710097 Revision: 22 DEC 2005 Rev Description: DCN NO 05-169 Rev Level: C	Check: <input type="checkbox"/> Approval: <input type="checkbox"/>		
DEFECT CLASSIFICATION KEY <small>Absence of a defect symbol from any feature indicates minor classification</small>	DIMENSIONS ARE IN INCHES DO NOT SCALE DRAWING DEBURR SHARP EDGES Third Angle Projection INTERPRET DRAWING IN ACCORDANCE WITH ASME Y14.5M-1994 (R1999)	UNLESS OTHERWISE SPECIFIED .X ± N/A .XX ± N/A .XXX ± N/A .XXXX ± N/A FRACTIONS ± N/A ANGLES ± N/A SURFACE TEXTURE N/A BREAKS AND FILLETS N/A MAX			

WIRING CHART			
END 1		END 2	
POS. #	ASSIGN	POS. #	ASSIGN
G1-G8	SIGNAL GROUND	G1-G8	SIGNAL GROUND
1	R+ (BIT 0)	16	T+ (BIT 0)
2	R- (BIT 0)	15	T- (BIT 0)
3	R+ (BIT 1)	14	T+ (BIT 1)
4	R- (BIT 1)	13	T- (BIT 1)
5	R+ (BIT 2)	12	T+ (BIT 2)
6	R- (BIT 2)	11	T- (BIT 2)
7	R+ (BIT 3)	10	T+ (BIT 3)
8	R- (BIT 3)	9	T- (BIT 3)
9	T- (BIT 3)	8	R- (BIT 3)
10	T+ (BIT 3)	7	R+ (BIT 3)
11	T- (BIT 2)	6	R- (BIT 2)
12	T+ (BIT 2)	5	R+ (BIT 2)
13	T- (BIT 1)	4	R- (BIT 1)
14	T+ (BIT 1)	3	R+ (BIT 1)
15	T- (BIT 0)	2	R- (BIT 0)
16	T+ (BIT 0)	1	R+ (BIT 0)
HOUSING	CHASSIS GROUND	HOUSING	CHASSIS GROUND



		W. L. GORE & ASSOCIATES, INC. (Gore) Electronic Products Division P.O. Box 160, Elkton, Maryland 21922-0160 © 2003 W. L. Gore & Associates, Inc.		<small>By acceptance of this document you agree that all rights to drawings, specifications, processes and other data contained therein, as well as the proprietary and novel features of the subject matter, are reserved by Gore and are disclosed in confidence. They are not to be manufactured, used, sold or disclosed to others, nor are devices embodying such features or information derived from these disclosures to be used or disclosed, unless and until expressly authorized by Gore. These drawings, specifications, processes, etc., are and remain the property of Gore and are not to be copied or reproduced without express permission, and are to be returned upon request therefor.</small>	
DEFECT CLASSIFICATION KEY <small>Absence of a defect symbol from any feature indicates minor classification</small>		DIMENSIONS ARE IN INCHES DO NOT SCALE DRAWING DEBURR SHARP EDGES		UNLESS OTHERWISE SPECIFIED .X ± N/A .XX ± N/A .XXX ± N/A .XXXX ± N/A FRACTIONS ± N/A ANGLES ± N/A SURFACE TEXTURE N/A ✓ BREAKS AND FILLETS N/A MAX	
▼ Critical Feature ▽ Major 1 Feature ▽ Major 2 Feature ▽ Plating Verification		Drawn: ECL 25 NOV 2003 Material: N/A Heat Treat: N/A Finish: N/A Title: INFINIBAND 4X ASSEMBLY - IBN4300-L		Sheet: 2 of 2 Scale: 1:1 Drawing Number: 54710097	
		INTERPRET DRAWING IN ACCORDANCE WITH ASME Y14.5M-1994 (R1999)		Rev Date: 22 DEC 2005 Rev Description: DCN NO 05-169 Rev Level: C	