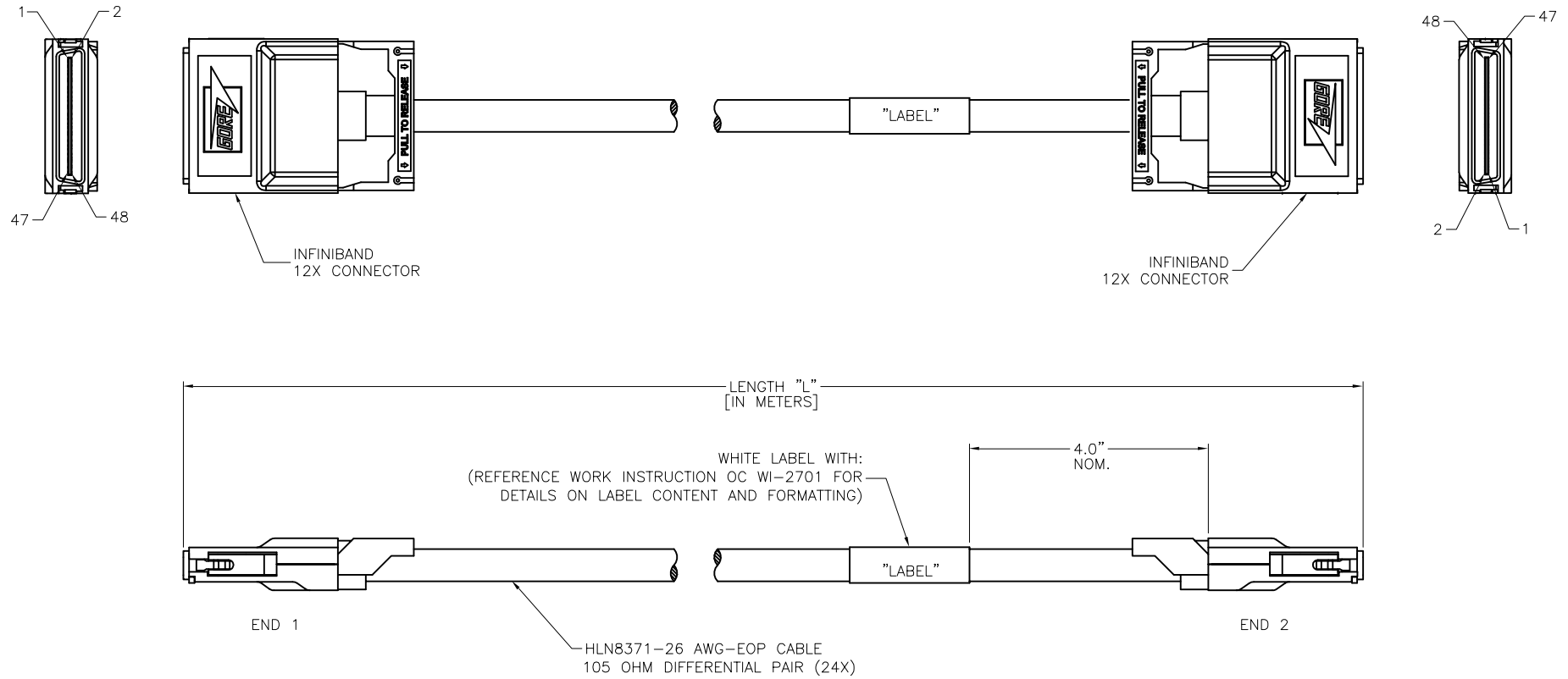



REVISIONS			
LTR.	DESCRIPTION	DATE	APP.
C	DCN NO 03-216	10/01/03	



NOTES:

- 1- DIFFERENTIAL Z_0 SHALL BE 105 ± 5 OHMS BETWEEN LEGS OF ANY DIFFERENTIAL PAIR.
- 2- MAXIMUM DIFFERENTIAL SKEW BETWEEN LEGS OF ANY DIFFERENTIAL PAIR IS RECOMMENDED TO BE LESS THAN 120 PSEC.
- 3- CROSSTALK: $\leq 4\%$
- 4- MINIMUM EYE DIMENSIONS: HEIGHT: 316 mV, WIDTH: 300ps, JITTER: 100 ps.
- 5- MAXIMUM ASSEMBLY INSERTION LOSS: 10dB @ 1.25 GHz
- 6- LENGTH TOLERANCE: 5 METERS & UNDER $+4.0$ INCHES/ -0.0 INCHES
OVER 5 METERS $+6.0$ INCHES/ -0.0 INCHES
- 7- CABLE EMI SHIELD SHALL BE TERMINATED TO BOTH CONNECTOR SHELLS.
- 8- CUSTOMER WILL SPECIFY LENGTH (IN METERS) BY INSERTING DESIRED LENGTH AS A DASH NUMBER AFTER THE IBN PART NUMBER WHEN ORDERING.
- 9- CONNECTOR PINOUT AND DETAIL ON PAGE 2.

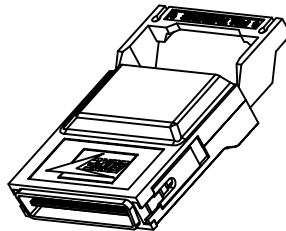
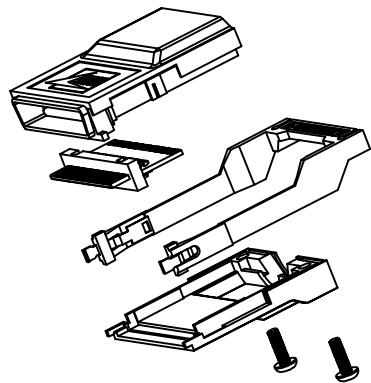
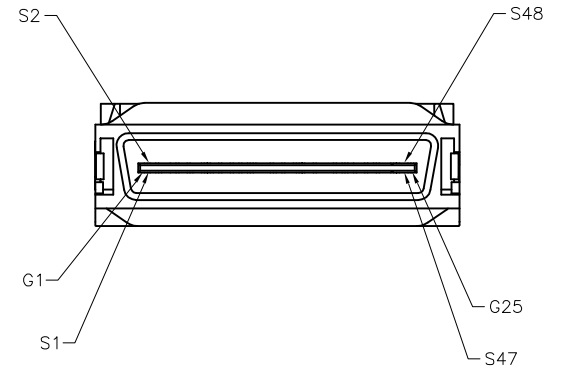
© 2003 W. L. Gore & Associates, Inc.

DIMENSIONS IN INCHES TOLERANCES UNLESS OTHERWISE SPECIFIED		 W. L. GORE & ASSOCIATES, INC. (Gore) P.O. BOX 8038, NEWARK, DELAWARE 19714	
.XX \pm N/A	.XXX \pm N/A	By acceptance of this document you agree that all rights to drawings, specifications, processes, and other data contained herein, as well as the proprietary and novel features of the subject matter, are reserved by Gore and are disclosed in confidence. They are not to be manufactured, used, sold or disclosed to others, nor are devices embodying such features or information derived from these disclosures to be used or disclosed, unless and until expressly authorized by Gore. These drawings, specifications, processes, etc., are and remain the property of Gore and are not to be copied or reproduced without express permission, and are to be returned upon request therefor.	
.XXX \pm N/A	ANGLES \pm N/A	MATERIAL	HEAT TREAT
SURFACE TEXTURE N/A		N/A	N/A
DO NOT SCALE DRAWING DEBURR SHARP EDGES BREAKS & FILLETS N/A MAX.		FINISH	
		N/A	
TITLE			
INFINIBAND 12X ASSEMBLY - IBN1260-L			
SCALE	DRW. ECL	CHK.	APP.
1:1	02/25/03		
DRAWING NUMBER		SHEET	
547C10081		1of2	
		REV. C	


WIRING CHART			
END 1		END 2	
POS. #	ASSIGN	POS. #	ASSIGN
G1-G24	SIGNAL GROUND	G1-G24	SIGNAL GROUND
1	R+ (BIT 0)	48	T+ (BIT 0)
2	R- (BIT 0)	47	T- (BIT 0)
3	R+ (BIT 1)	46	T+ (BIT 1)
4	R- (BIT 1)	45	T- (BIT 1)
5	R+ (BIT 2)	44	T+ (BIT 2)
6	R- (BIT 2)	43	T- (BIT 2)
7	R+ (BIT 3)	42	T+ (BIT 3)
8	R- (BIT 3)	41	T- (BIT 3)
9	R+ (BIT 4)	40	T+ (BIT 4)
10	R- (BIT 4)	39	T- (BIT 4)
11	R+ (BIT 5)	38	T+ (BIT 5)
12	R- (BIT 5)	37	T- (BIT 5)
13	R+ (BIT 6)	36	T+ (BIT 6)
14	R- (BIT 6)	35	T- (BIT 6)
15	R+ (BIT 7)	34	T+ (BIT 7)
16	R- (BIT 7)	33	T- (BIT 7)
17	R+ (BIT 8)	32	T+ (BIT 8)
18	R- (BIT 8)	31	T- (BIT 8)
19	R+ (BIT 9)	30	T+ (BIT 9)
20	R- (BIT 9)	29	T- (BIT 9)
21	R+ (BIT 10)	28	T+ (BIT 10)
22	R- (BIT 10)	27	T- (BIT 10)
23	R+ (BIT 11)	26	T+ (BIT 11)
24	R- (BIT 11)	25	T- (BIT 11)

WIRING CHART (CONTINUED)			
END 1		END 2	
POS. #	ASSIGN	POS. #	ASSIGN
G1-G24	SIGNAL GROUND	G1-G24	SIGNAL GROUND
25	T- (BIT 11)	24	R- (BIT 11)
26	T+ (BIT 11)	23	R+ (BIT 11)
27	T- (BIT 10)	22	R- (BIT 10)
28	T+ (BIT 10)	21	R+ (BIT 10)
29	T- (BIT 9)	20	R- (BIT 9)
30	T+ (BIT 9)	19	R+ (BIT 9)
31	T- (BIT 8)	18	R- (BIT 8)
32	T+ (BIT 8)	17	R+ (BIT 8)
33	T- (BIT 7)	16	R- (BIT 7)
34	T+ (BIT 7)	15	R+ (BIT 7)
35	T- (BIT 6)	14	R- (BIT 6)
36	T+ (BIT 6)	13	R+ (BIT 6)
37	T- (BIT 5)	12	R- (BIT 5)
38	T+ (BIT 5)	11	R+ (BIT 5)
39	T- (BIT 4)	10	R- (BIT 4)
40	T+ (BIT 4)	9	R+ (BIT 4)
41	T- (BIT 3)	8	R- (BIT 3)
42	T+ (BIT 3)	7	R+ (BIT 3)
43	T- (BIT 2)	6	R- (BIT 2)
44	T+ (BIT 2)	5	R+ (BIT 2)
45	T- (BIT 1)	4	R- (BIT 1)
46	T+ (BIT 1)	3	R+ (BIT 1)
47	T- (BIT 0)	2	R- (BIT 0)
48	T+ (BIT 0)	1	R+ (BIT 0)
HOUSING	CHASSIS GROUND	HOUSING	CHASSIS GROUND

REVISIONS			
LTR.	DESCRIPTION	DATE	APP.
C	DCN NO 03-216	10/01/03	



© 2003 W. L. Gore & Associates, Inc.

DIMENSIONS IN INCHES TOLERANCES UNLESS OTHERWISE SPECIFIED		 W. L. GORE & ASSOCIATES, INC. (Gore) P.O. BOX 8038, NEWARK, DELAWARE 19714	
.XX ± N/A .XXX ± N/A .XXXX ± N/A ANGLES N/A SURFACE TEXTURE N/A DO NOT SCALE DRAWING DEBURR SHARP EDGES BREAKS & FILLETS N/A MAX.		By acceptance of this document you agree that all rights to drawings, specifications, processes, and other data contained herein, as well as the proprietary and novel features of the subject matter, are reserved by Gore and are disclosed in confidence. They are not to be manufactured, used, sold or disclosed to others, nor are devices embodying such features or information derived from these disclosures to be used or disclosed, unless and until expressly authorized by Gore. These drawings, specifications, processes, etc., are and remain the property of Gore and are not to be copied or reproduced without express permission, and are to be returned upon request therefor.	
MATERIAL		HEAT TREAT	FINISH
N/A		N/A	N/A
TITLE INFINIBAND 12X ASSEMBLY - IBN1260-L			
SCALE	DRW. ECL	CHK.	APP.
1:1	02/25/03		
DRAWING NUMBER		SHEET	REV.
547C10081		2of2	C