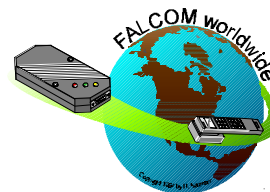
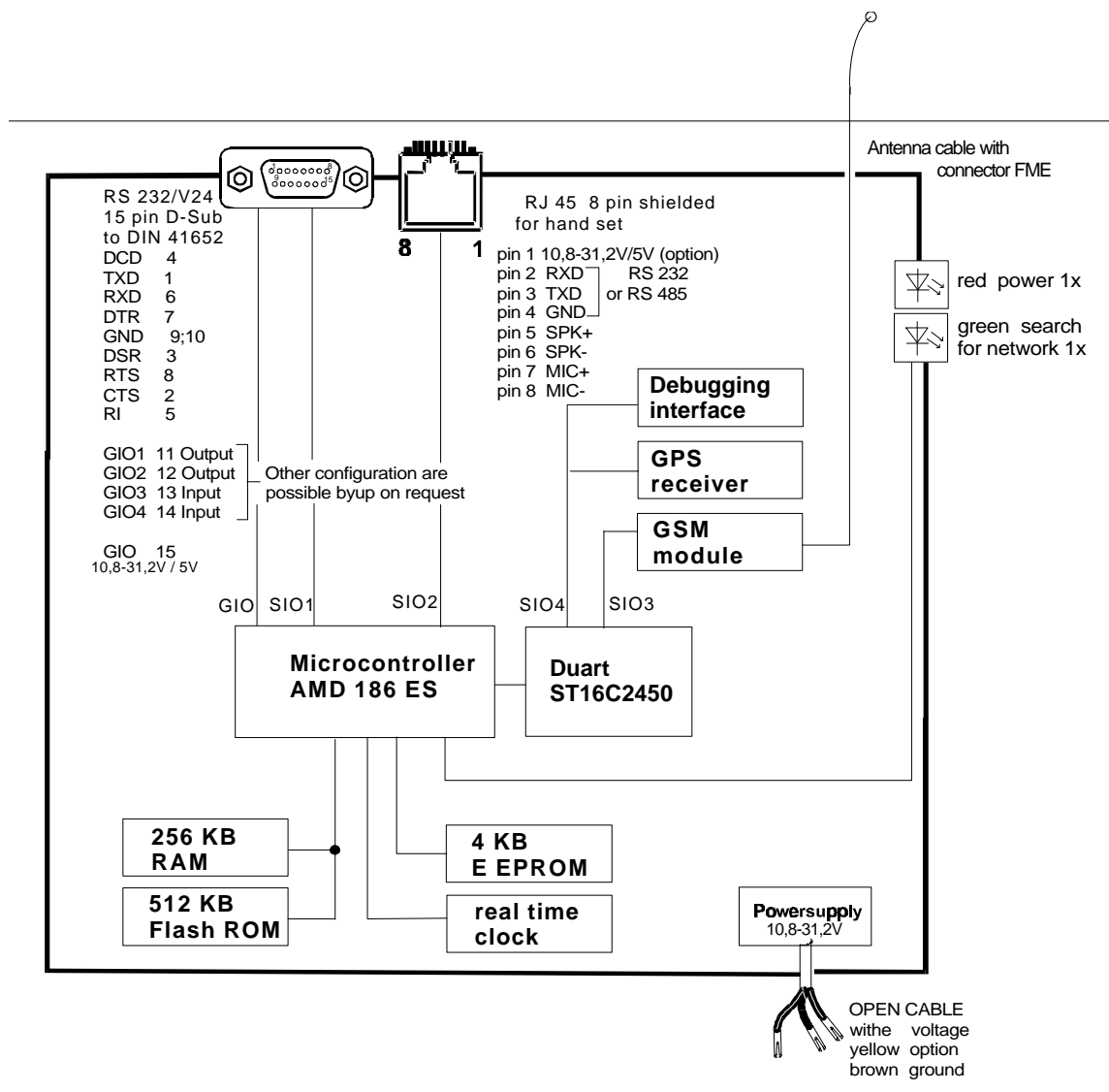


FALCOM A2-3



AMD 186 ES and internal GPS-Receiver



Integrated with the FALCOM A2-3 is a programmable microcontroller. programs are stored in a Flash-ROM. Standard interfaces are two RS 232. Optional available are Rs-485, IIC-bus and optical I/O (IrDA).

The software of the main board will be fit to the needs of the customer by us or one of our partners.

Funkanlagen Leipoldt OHG
Gewerbering 6
98704 Langwiesen
Germany

Tel.: (+49)3677/8042-0
Fax: (+49)3677/8042-215
Email: info@falcom.de
WWW: <http://www.falcom.de>