

10/100 ETHERNET WORKGROUP SWITCHES

For the SmartSTACK Family

PART #: ELS100-24TX,
ELS100-24TXM

PORTS: 24 RJ45

UPLINKS: 100BASE-FX

Features

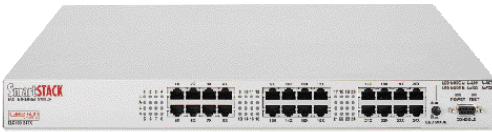
- ▶ 24 switched 10/100 Mbps Fast Ethernet ports and two optional fiber optic Fast Ethernet ports
- ▶ 4.2 Gbps switching fabric delivers wire-speed throughput in both half and full duplex modes for unparalleled network performance
- ▶ 10/100 Mbps auto-negotiation for fastest possible transmit and receive speed
- ▶ Network-ready, via BootP and DHCP plug-and-play installation features
- ▶ Traffic prioritization per the IEEE 802.1p priority queuing standard supports time-sensitive applications such as voice and video streaming
- ▶ Tag- and port-based VLANs, per the IEEE 802.1Q VLAN standard, allow the ELS100 to be seamlessly integrated into multivendor networks
- ▶ 12,288 MAC address table makes the switches perfect for large enterprise networks



Overview

Cabletron's next-generation SmartSTACK Fast Ethernet Switches provide 24 RJ45 ports of fully managed, wire-speed 10/100Base-TX connectivity for the connection of high-performance file servers, user workgroups, 10 Mbps desktop switches and shared access hubs. A modular expansion slot is also available in the ELS100-24TXM to support both multimode and single mode fiber uplinks. The modular optic uplinks are an ideal solution for connecting the SmartSTACK Fast Ethernet Switch to a backbone network.

Wire-speed performance and industry-leading features allow SmartSTACK Fast Ethernet Switches to be integrated into small- to medium-sized networks, as well as to provide ideal enterprise switching solutions. The SmartSTACK's highly integrated, next-generation, ASIC-based hardware switching technology provides many features usually only found in more expensive enterprise switching systems. Plug-and-play installation, advanced network management and standards-based switching features make the family of SmartSTACK Fast Ethernet Switches industry leaders in their class, delivering the ease of use, flexibility and reliability that are essential in today's competitive business environments.



Meeting the Demand of Today's Networks

Today's corporate networks are changing dramatically. The increasing popularity of the Internet and corporate intranets, as well as new, high-bandwidth desktop applications, are driving the demand for Fast and Gigabit Ethernet. Increased multimedia traffic and the need to simultaneously support legacy protocols and new, data-intensive applications is driving the need for network segmentation and traffic prioritization. Cabletron's SmartSTACK Fast Ethernet Switches deliver the high performance, scalability and broad feature set that are required to address these demands.

The High-Performance Solution

Cabletron's SmartSTACK Fast Ethernet Switches address today's network requirements through an exceptionally broad feature set and outstanding performance. The switches support up to 24 10/100 Fast Ethernet ports and up to two fiber optic Ethernet ports. A frame forwarding capacity of 3.6 million packets per second allows simultaneous wire-speed switching on every port. These switches also offer full 802.1D bridging capability, including support for redundant links through the Spanning Tree protocol. Additional features include support for IEEE 802.1Q tagged VLANs, IEEE 802.1p traffic prioritization for multiple Quality of Service levels, and extensive traffic management and network management capabilities.

Advanced, Scalable, Distributed Architecture

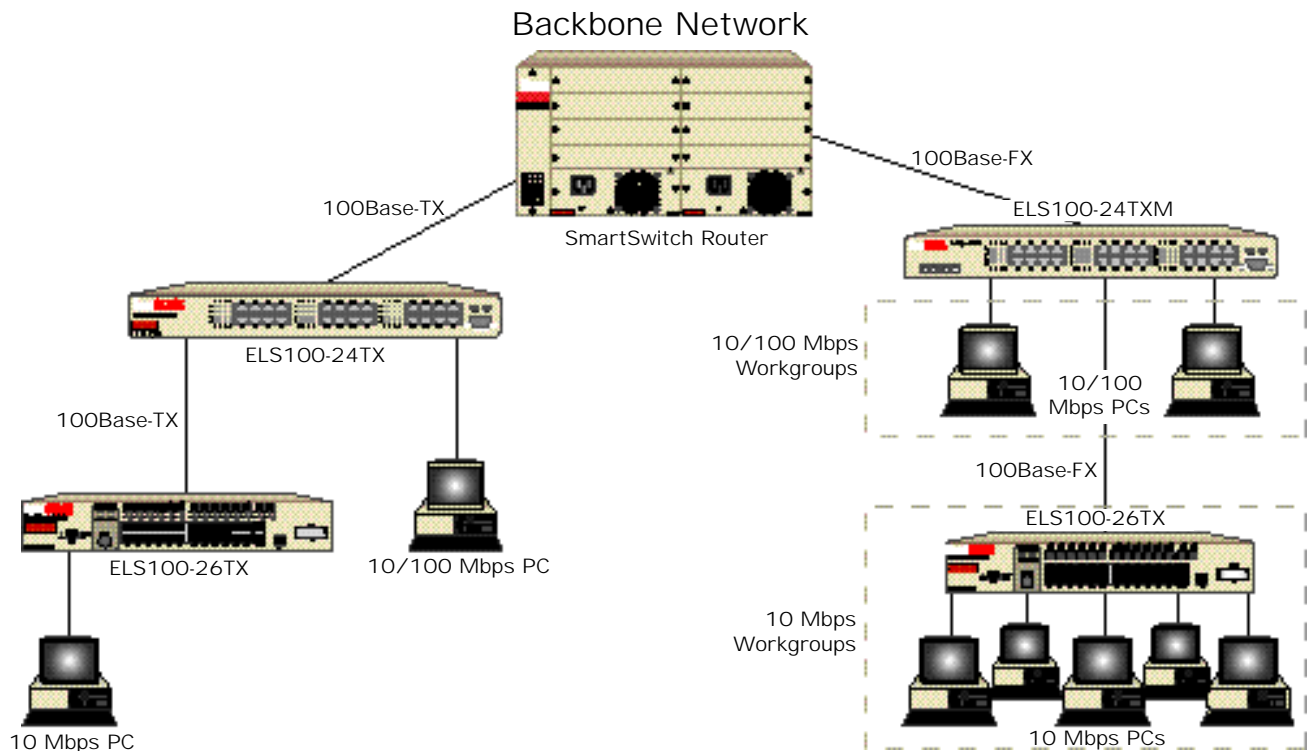
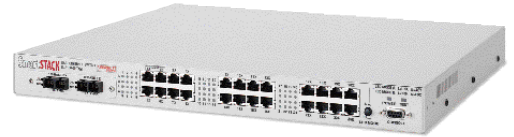
The SmartSTACK Fast Ethernet Switches utilize a distributed ASIC-based architecture, enabling the creation of multiple port combinations, including Gigabit Ethernet and ATM uplinks. This ASIC-based design provides address learning, frame forwarding, and advanced traffic handling capabilities. Switching is done in hardware with minimal CPU intervention, resulting in a highly-integrated, scalable switch delivering significant performance and substantial cost benefits.

Desktop, Workgroup and Local Backbone Applications

SmartSTACK Fast Ethernet Switches are ideal for high-end desktop, workgroup, and local backbone applications. Their low cost and high port count make them the affordable choice for dedicated 10/100 connections to the desktop. Their high-speed uplinks allow connection to servers and backbones, as well as full bandwidth interconnection of multiple switches. And their extensive features, including redundant links, traffic prioritization and VLAN capabilities, provide the management needed for the workgroup and local backbone.

The SmartSTACK Fast Ethernet Switches are perfectly suited for a variety of applications from the desktop to the backbone, including the following:

- ▶ Desktop switching for high-performance users
- ▶ Workgroup switching through hub and switch concentration
- ▶ Stacking of 10 Mbps switches for port extension
- ▶ Local, collapsed, high-speed backbones
- ▶ 10 Mbps to 100 Mbps LAN interconnections
- ▶ Server farms
- ▶ Router front end
- ▶ Remote fiber connections to network center in campus environments



Corporate
35 Industrial Way
Rochester, NH 03867
U.S.A.
(603) 332-9400

Europe/Middle East/Africa
Newbury Business Park
London Road, Newbury
Berkshire, England RG13 2PZ
44-1635-580000

Asia Pacific
85 Science Park Drive
#03-01/04
The Cavendish
Singapore 118259
65-775-5355

Unit 8, Allambie Grove Estate
25 Frenchs Forest Road
Frenchs Forest NSW 2086
Sydney, Australia
61-29950-5900

Latin America
Periferico Sur No. 3642
Piso 6
Colonia Jardines del Pedregal
Mexico D. F. 01900
Mexico
525-490-3400

Avenida Jurubatuba, 73-3º andar
Brooklin - São Paulo
04583-100- Brazil
55-11-5506-2888

Internet
www.cabletron.com

SmartSTACK is a trademark or registered trademarks of Cabletron Systems, Inc. All other products or services mentioned are identified by the trademarks or service marks of their respective companies or organizations.

NOTE: Cabletron Systems, Inc. reserves the right to change specifications without notice. Please contact your representative to confirm current specifications.

Lit. #9011189 7/98

CABLETRON
SYSTEMS

Specifications

Technical

- ▶ Processor Intel i960Jx 33 MHz Risc Processor
- ▶ Switch Engine 1.2 million Gate ASIC
- ▶ Main Memory 1 MB
- ▶ Buffer Memory 12 MB
- ▶ Flash Memory 1 MB
- ▶ Address Table Size 12,288 entries

Physical

- ▶ Interfaces 24 ports of 10Base-T/100Base-TX RJ45 (ELS100-24TXM also has a slot for the installation of a fiber uplink module)
- ▶ Dimensions 1.75"H x 17"W x 15"D
- ▶ Weight 10 lb.

Environmental

- ▶ Operating Temperature 0 to 45° C
- ▶ Operating Humidity 5 to 95% non-condensing
- ▶ Power Consumption Voltage Range: 100-125 or 200-250 VAC
Frequency Range: 50-60 Hz

Management

- ▶ In-Band Via SNMP using SPECTRUM Enterprise Manager, SPECTRUM Element Manager, SPECTRUM Portable Management Application, Web browser or any SNMP-compatible management system
- ▶ Out-of-Band Via RS232 com port

Ordering Information

Part #	Description
ELS100-24TX	Standalone Fast Ethernet switch with 24 RJ45 ports
ELS100-24TXM	Standalone Fast Ethernet switch with 24 RJ45 ports and 1 modular uplink slot
EPIM100-2F2	2-port multimode fiber uplink module via SC connectors
EPIM100-2F3	2-port single mode fiber uplink module via SC connectors
EPIM100-2F4	2-port uplink module with 1 multimode fiber port and 1 single mode port via SC connectors