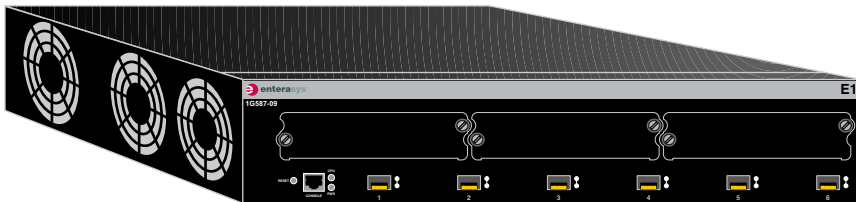
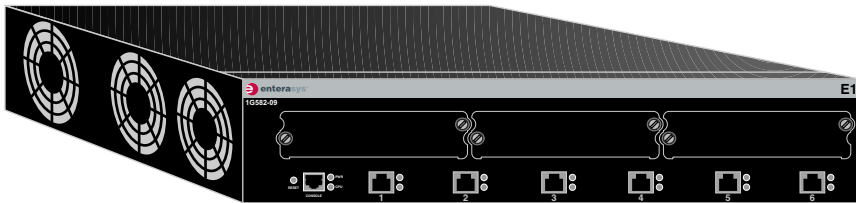


Matrix E1 Series (1G582-09 and 1G587-09) Installation Guide





Electrical Hazard: Only qualified personnel should perform installation procedures.

Riesgo Electrico: Solamente personal calificado debe realizar procedimientos de instalacion.

Elektrischer Gefahrenhinweis: Installationen sollten nur durch ausgebildetes und qualifiziertes Personal vorgenommen werden.

NOTICE

Enterasys Networks reserves the right to make changes in specifications and other information contained in this document and its web site without prior notice. The reader should in all cases consult Enterasys Networks to determine whether any such changes have been made.

The hardware, firmware, or software described in this document is subject to change without notice.

IN NO EVENT SHALL ENTERASYS NETWORKS BE LIABLE FOR ANY INCIDENTAL, INDIRECT, SPECIAL, OR CONSEQUENTIAL DAMAGES WHATSOEVER (INCLUDING BUT NOT LIMITED TO LOST PROFITS) ARISING OUT OF OR RELATED TO THIS DOCUMENT, WEB SITE, OR THE INFORMATION CONTAINED IN THEM, EVEN IF ENTERASYS NETWORKS HAS BEEN ADVISED OF, KNEW OF, OR SHOULD HAVE KNOWN OF, THE POSSIBILITY OF SUCH DAMAGES.

Enterasys Networks, Inc.
50 Minuteman Road
Andover, MA 01810

© 2004 Enterasys Networks, Inc. All rights reserved.

Part Number: 9033722-07 October 2004

ENTERASYS NETWORKS, ENTERASYS MATRIX, LANVIEW, MATRIX, NETSIGHT, WEBVIEW, and any logos associated therewith, are trademarks or registered trademarks of Enterasys Networks, Inc., in the United States and other countries.

All other product names mentioned in this manual may be trademarks or registered trademarks of their respective companies.

Documentation URL: <http://www.enterasys.com/support/manuals>

Documentacion URL: <http://www.enterasys.com/support/manuals>

Dokumentation <http://www.enterasys.com/support/manuals>

REGULATORY COMPLIANCE INFORMATION

FEDERAL COMMUNICATIONS COMMISSION (FCC) NOTICE

This device complies with Part 15 of the FCC rules. Operation is subject to the following two conditions: (1) this device may not cause harmful interference, and (2) this device must accept any interference received, including interference that may cause undesired operation.

NOTE: This equipment has been tested and found to comply with the limits for a class A digital device, pursuant to Part 15 of the FCC rules. These limits are designed to provide reasonable protection against harmful interference when the equipment is operated in a commercial environment. This equipment uses, generates, and can radiate radio frequency energy and if not installed in accordance with the operator's manual, may cause harmful interference to radio communications. Operation of this equipment in a residential area is likely to cause interference in which case the user will be required to correct the interference at his own expense.

WARNING: Changes or modifications made to this device which are not expressly approved by the party responsible for compliance could void the user's authority to operate the equipment.

INDUSTRY CANADA NOTICE

This digital apparatus does not exceed the class A limits for radio noise emissions from digital apparatus set out in the Radio Interference Regulations of the Canadian Department of Communications.

Le présent appareil numérique n'émet pas de bruits radioélectriques dépassant les limites applicables aux appareils numériques de la class A prescrites dans le Règlement sur le brouillage radioélectrique édicté par le ministère des Communications du Canada.

VCCI NOTICE

This is a class A product based on the standard of the Voluntary Control Council for Interference by Information Technology Equipment (VCCI). If this equipment is used in a domestic environment, radio disturbance may arise. When such trouble occurs, the user may be required to take corrective actions.

この装置は、情報処理装置等電波障害自主規制協議会（VCCI）の基準に基づくクラスA情報技術装置です。この装置を家庭環境で使用すると電波妨害を引き起こすことがあります。この場合には使用者が適切な対策を講ずるよう要求されることがあります。

CLASS A ITE NOTICE

WARNING: This is a Class A product. In a domestic environment this product may cause radio interference in which case the user may be required to take adequate measures.

CLASE A. AVISO DE ITE

ADVERTENCIA: Este es un producto de Clase A. En un ambiente doméstico este producto puede causar interferencia de radio en cuyo caso puede ser requerido tomar medidas adecuadas.

KLASSE A ITE ANMERKUNG

ACHTUNG: Dieses Produkt zählt zur Klasse A (Industriebereich). In Wohnbereichen kann es hierdurch zu Funkstörungen kommen, daher sollten angemessene Vorkehrungen zum Schutz getroffen werden.

PRODUCT SAFETY

This product complies with the following: UL 60950, CSA C22.2 No. 60950, 73/23/EEC, EN 60950, IEC 60950, EN 60825, 21 CFR 1040.10.

SEGURIDAD DEL PRODUCTO

El producto de Enterasys cumple con lo siguiente: UL 60950, CSA C22.2 No. 60950, 73/23/EEC, EN 60950, IEC 60950, EN 60825, 21 CFR 1040.10.

PRODUKTSICHERHEIT

Dieses Produkt entspricht den folgenden Richtlinien: UL 60950, CSA C22.2 No. 60950, 73/23/EEC, EN 60950, IEC 60950, EN 60825, 21 CFR 1040.10.

WARNING: FIBER OPTIC PORT SAFETY



When using a fiber optic media expansion module, never look at the transmit laser while it is powered on. Also, never look directly at the fiber TX port and fiber cable ends when they are powered on.

AVERTISSEMENT: PORTS POUR FIBRES OPTIQUES - SÉCURITÉ SUR LE PLAN OPTIQUE



Ne regardez jamais le laser tant qu'il est sous tension. Ne regardez jamais directement le port TX (Transmission) à fibres optiques et les embouts de câbles à fibres optiques tant qu'ils sont sous tension.

WARNHINWEIS: FASEROPTIKANSCHLÜSSE - OPTISCHE SICHERHEIT



Niemals ein Übertragungslaser betrachten, während dieses eingeschaltet ist. Niemals direkt auf den Faser-TX-Anschluß und auf die Faserkabelenden schauen, während diese eingeschaltet sind.

UNDERWRITERS LABORATORIES INC. (USA)

Important! Before making connections, make sure you have the correct Cord Set. Check it (read the label on the cable) against the following specification list.

Operating Voltage	Cord Set Specifications
120 Volts	UL Listed/CSA Certified Cord Set
	Minimum 18 AWG
	Type SVT or SJT three conductor cord
	Maximum length of 15 feet
	Parallel blade, grounding type attachment plug rated 15A, 125V
240 Volts (Europe only)	Cord Set with H05VV-F cord having three conductors with minimum diameter of 0.75 mm ²
	IEC-320 receptacle
	Male plug rated 10A, 250V

WICHTIGE SICHERHEITSHINWEISE (GERMANY)

1. Bitte lesen Sie diese Hinweise sorgfältig durch.
2. Heben Sie diese Anleitung für den späteren Gebrauch auf.
3. Vor jedem Reinigen ist das Gerät vom Stromnetz zu trennen. Verwenden Sie keine Flüssigoder Aerosolreiniger. Am besten eignet sich ein angefeuchtetes Tuch zur Reinigung.
4. Die Netzanschlus ßsteckdose soll nahe dem Gerät angebracht und leicht zugänglich sein.
5. Das Gerät ist vor Feuchtigkeit zu schützen.
6. Bei der Aufstellung des Gerätes ist auf sicheren Stand zu achten. Ein Kippen oder Fallen könnte Beschädigungen hervorrufen.
7. Die Belüftungsöffnungen dienen der Luftzirkulation, die das Gerät vor Überhitzung schützt. Sorgen Sie dafür, daß diese Öffnungen nicht abgedeckt werden.
8. Beachten Sie beim Anschluß an das Stromnetz die Anschlußwerte.
9. Verlegen Sie die Netzanschlußleitung so, daß niemand darüber fallen kann. Es sollte auch nichts auf der Leitung abgestellt werden.
10. Alle Hinweise und Warnungen, die sich am Gerät befinden, sind zu beachten.
11. Wird das Gerät über einen längeren Zeitraum nicht benutzt, sollten Sie es vom Stromnetz trennen. Somit wird im Falle einer Überspannung eine Beschädigung vermieden.
12. Durch die Lüftungsöffnungen dürfen niemals Gegenstände oder Flüssigkeiten in das Gerät gelangen. Dies könnte einen Brand bzw. elektrischen Schlag auslösen.
13. Öffnen sie niemals das Gerät. Das Gerät darf aus Gründen der elektrischen Sicherheit nur von autorisiertem Servicepersonal geöffnet werden.
14. Wenn folgende Situationen auftreten ist das Gerät vom Stromnetz zu trennen und von einer qualifizierten Servicestelle zu überprüfen:
 - a. Netzkabel oder Netzstecker sind beschädigt.
 - b. Flüssigkeit ist in das Gerät eingedrungen.
 - c. Das Gerät war Feuchtigkeit ausgesetzt.
 - d. Wenn das Gerät nicht der Bedienungsanleitung entsprechend funktioniert oder Sie mit Hilfe dieser Anleitung keine Verbesserung erzielen.

-
- e. Das Gerät ist gefallen und/oder das Gehäuse ist beschädigt.
 - f. Wenn das Gerät deutliche Anzeichen eines Defektes aufweist.
15. Zum Netzanschluß dieses Gerätes ist eine geprüfte Leitung zu verwenden. Für einen Nennstrom bis 6A und einem Gerätegewicht größer 3kg ist eine Leitung nicht leichter als H05VV-F, 3G, 0.75mm² einzusetzen. Der arbeitsplatzbezogene Schalldruckpegel nach DIN 45 635 Teil 1000 beträgt 70dB(A) oder weniger.

ELECTROMAGNETIC COMPATIBILITY (EMC)

This product complies with the following: 47 CFR Parts 2 and 15, CSA C108.8, 89/336/EEC, EN 55022, EN 61000-3-2, EN 61000-3-3, EN 55024, AS/NZS CISPR 22, VCCI V-3.

COMPATIBILIDAD ELECTROMÁGNETICA (EMC)

Este producto de Enterasys cumple con lo siguiente: 47 CFR Partes 2 y 15, CSA C108.8, 89/336/EEC, EN 55022, EN 55024, EN 61000-3-2, EN 61000-3-3, AS/NZS CISPR 22, VCCI V-3.

ELEKTRO- MAGNETISCHE KOMPATIBILITÄT (EMC)

Dieses Produkt entspricht den folgenden Richtlinien: 47 CFR Parts 2 and 15, CSA C108.8, 89/336/EEC, EN 55022, EN 61000-3-2, EN 61000-3-3, EN 55024, AS/NZS CISPR 22, VCCI V-3.

SAFETY INFORMATION CLASS 1 LASER TRANSCEIVERS

**The single mode interface modules use Class 1 laser transceivers.
Read the following safety information before installing or operating these modules.**

The Class 1 laser transceivers use an optical feedback loop to maintain Class 1 operation limits. This control loop eliminates the need for maintenance checks or adjustments. The output is factory set, and does not allow any user adjustment. Class 1 Laser transceivers comply with the following safety standards:

- 21 CFR 1040.10 and 1040.11 U.S. Department of Health and Human Services (FDA).
- IEC Publication 825 (International Electrotechnical Commission).
- CENELEC EN 60825 (European Committee for Electrotechnical Standardization).

When operating within their performance limitations, laser transceiver output meets the Class 1 accessible emission limit of all three standards. Class 1 levels of laser radiation are not considered hazardous.

When the connector is in place, all laser radiation remains within the fiber. The maximum amount of radiant power exiting the fiber (under normal conditions) is -12.6 dBm or 55×10^{-6} watts.

Removing the optical connector from the transceiver allows laser radiation to emit directly from the optical port. The maximum radiance from the optical port (under worst case conditions) is 0.8 W cm^{-2} or $8 \times 10^3 \text{ W m}^{-2} \text{ sr}^{-1}$.

Do not use optical instruments to view the laser output. The use of optical instruments to view laser output increases eye hazard. When viewing the output optical port, power must be removed from the network adapter.

DECLARATION OF CONFORMITY

Application of Council Directive(s): **89/336/EEC**
73/23/EEC

Manufacturer's Name: **Enterasys Networks, Inc.**

Manufacturer's Address: **50 Minuteman Road**
Andover, MA 01810
USA

European Representative Address: **Enterasys Networks, Ltd.**
Nexus House, Newbury Business Park
London Road, Newbury
Berkshire RG14 2PZ, England

Conformance to Directive(s)/Product Standards: **EC Directive 89/336/EEC**
EN 55022
EN 55024
EC Directive 73/23/EEC
EN 60950
EN 60825

Equipment Type/Environment: **Networking Equipment, for use in a**
Commercial
or Light Industrial Environment.

Enterasys Networks, Inc. declares that the equipment packaged with this notice conforms to the above directives.

ENTERASYS NETWORKS, INC. FIRMWARE LICENSE AGREEMENT

BEFORE OPENING OR UTILIZING THE ENCLOSED PRODUCT, CAREFULLY READ THIS LICENSE AGREEMENT.

This document is an agreement (“Agreement”) between the end user (“You”) and Enterasys Networks, Inc. on behalf of itself and its Affiliates (as hereinafter defined) (“Enterasys”) that sets forth Your rights and obligations with respect to the Enterasys software program/firmware installed on the Enterasys product (including any accompanying documentation, hardware or media) (“Program”) in the package and prevails over any additional, conflicting or inconsistent terms and conditions appearing on any purchase order or other document submitted by You. “Affiliate” means any person, partnership, corporation, limited liability company, or other form of enterprise that directly or indirectly through one or more intermediaries, controls, or is controlled by, or is under common control with the party specified. This Agreement constitutes the entire understanding between the parties, and supersedes all prior discussions, representations, understandings or agreements, whether oral or in writing, between the parties with respect to the subject matter of this Agreement. The Program may be contained in firmware, chips or other media.

BY INSTALLING OR OTHERWISE USING THE PROGRAM, YOU REPRESENT THAT YOU ARE AUTHORIZED TO ACCEPT THESE TERMS ON BEHALF OF THE END USER (IF THE END USER IS AN ENTITY ON WHOSE BEHALF YOU ARE AUTHORIZED TO ACT, “YOU” AND “YOUR” SHALL BE DEEMED TO REFER TO SUCH ENTITY) AND THAT YOU AGREE THAT YOU ARE BOUND BY THE TERMS OF THIS AGREEMENT, WHICH INCLUDES, AMONG OTHER PROVISIONS, THE LICENSE, THE DISCLAIMER OF WARRANTY AND THE LIMITATION OF LIABILITY. IF YOU DO NOT AGREE TO THE TERMS OF THIS AGREEMENT OR ARE NOT AUTHORIZED TO ENTER INTO THIS AGREEMENT, ENTERASYS IS UNWILLING TO LICENSE THE PROGRAM TO YOU AND YOU AGREE TO RETURN THE UNOPENED PRODUCT TO ENTERASYS OR YOUR DEALER, IF ANY, WITHIN TEN (10) DAYS FOLLOWING THE DATE OF RECEIPT FOR A FULL REFUND.

IF YOU HAVE ANY QUESTIONS ABOUT THIS AGREEMENT, CONTACT ENTERASYS NETWORKS, LEGAL DEPARTMENT AT (978) 684-1000.

You and Enterasys agree as follows:

1. **LICENSE.** You have the non-exclusive and non-transferable right to use only the one (1) copy of the Program provided in this package subject to the terms and conditions of this Agreement.
2. **RESTRICTIONS.** Except as otherwise authorized in writing by Enterasys, You may not, nor may You permit any third party to:
 - (i) Reverse engineer, decompile, disassemble or modify the Program, in whole or in part, including for reasons of error correction or interoperability, except to the extent expressly permitted by applicable law and to the extent the parties shall not be permitted by that applicable law, such rights are expressly excluded. Information necessary to achieve interoperability or correct errors is available from Enterasys upon request and upon payment of Enterasys’ applicable fee.
 - (ii) Incorporate the Program, in whole or in part, in any other product or create derivative works based on the Program, in whole or in part.
 - (iii) Publish, disclose, copy, reproduce or transmit the Program, in whole or in part.
 - (iv) Assign, sell, license, sublicense, rent, lease, encumber by way of security interest, pledge or otherwise transfer the Program, in whole or in part.
 - (v) Remove any copyright, trademark, proprietary rights, disclaimer or warning notice included on or embedded in any part of the Program.

3. APPLICABLE LAW. This Agreement shall be interpreted and governed under the laws and in the state and federal courts of the Commonwealth of Massachusetts without regard to its conflicts of laws provisions. You accept the personal jurisdiction and venue of the Commonwealth of Massachusetts courts. None of the 1980 United Nations Convention on Contracts for the International Sale of Goods, the United Nations Convention on the Limitation Period in the International Sale of Goods, and the Uniform Computer Information Transactions Act shall apply to this Agreement.

4. EXPORT RESTRICTIONS. You understand that Enterasys and its Affiliates are subject to regulation by agencies of the U.S. Government, including the U.S. Department of Commerce, which prohibit export or diversion of certain technical products to certain countries, unless a license to export the Program is obtained from the U.S. Government or an exception from obtaining such license may be relied upon by the exporting party.

If the Program is exported from the United States pursuant to the License Exception CIV under the U.S. Export Administration Regulations, You agree that You are a civil end user of the Program and agree that You will use the Program for civil end uses only and not for military purposes.

If the Program is exported from the United States pursuant to the License Exception TSR under the U.S. Export Administration Regulations, in addition to the restriction on transfer set forth in Sections 1 or 2 of this Agreement, You agree not to (i) reexport or release the Program, the source code for the Program or technology to a national of a country in Country Groups D:1 or E:2 (Albania, Armenia, Azerbaijan, Belarus, Bulgaria, Cambodia, Cuba, Estonia, Georgia, Iraq, Kazakhstan, Kyrgyzstan, Laos, Latvia, Libya, Lithuania, Moldova, North Korea, the People's Republic of China, Romania, Russia, Rwanda, Tajikistan, Turkmenistan, Ukraine, Uzbekistan, Vietnam, or such other countries as may be designated by the United States Government), (ii) export to Country Groups D:1 or E:2 (as defined herein) the direct product of the Program or the technology, if such foreign produced direct product is subject to national security controls as identified on the U.S. Commerce Control List, or (iii) if the direct product of the technology is a complete plant or any major component of a plant, export to Country Groups D:1 or E:2 the direct product of the plant or a major component thereof, if such foreign produced direct product is subject to national security controls as identified on the U.S. Commerce Control List or is subject to State Department controls under the U.S. Munitions List.

5. UNITED STATES GOVERNMENT RESTRICTED RIGHTS. The enclosed Program (i) was developed solely at private expense; (ii) contains "restricted computer software" submitted with restricted rights in accordance with section 52.227-19 (a) through (d) of the Commercial Computer Software-Restricted Rights Clause and its successors, and (iii) in all respects is proprietary data belonging to Enterasys and/or its suppliers. For Department of Defense units, the Program is considered commercial computer software in accordance with DFARS section 227.7202-3 and its successors, and use, duplication, or disclosure by the Government is subject to restrictions set forth herein.

6. DISCLAIMER OF WARRANTY. EXCEPT FOR THOSE WARRANTIES EXPRESSLY PROVIDED TO YOU IN WRITING BY Enterasys, Enterasys DISCLAIMS ALL WARRANTIES, EITHER EXPRESS OR IMPLIED, INCLUDING BUT NOT LIMITED TO IMPLIED WARRANTIES OF MERCHANTABILITY, SATISFACTORY QUALITY, FITNESS FOR A PARTICULAR PURPOSE, TITLE AND NON- INFRINGEMENT WITH RESPECT TO THE PROGRAM. IF IMPLIED WARRANTIES MAY NOT BE DISCLAIMED BY APPLICABLE LAW, THEN ANY IMPLIED WARRANTIES ARE LIMITED IN DURATION TO THIRTY (30) DAYS AFTER DELIVERY OF THE PROGRAM TO YOU.

7. LIMITATION OF LIABILITY. IN NO EVENT SHALL ENTERASYS OR ITS SUPPLIERS BE LIABLE FOR ANY DAMAGES WHATSOEVER (INCLUDING, WITHOUT LIMITATION, DAMAGES FOR LOSS OF BUSINESS, PROFITS, BUSINESS INTERRUPTION, LOSS OF BUSINESS INFORMATION, SPECIAL, INCIDENTAL, CONSEQUENTIAL, OR RELIANCE DAMAGES, OR OTHER LOSS) ARISING OUT OF THE USE OR INABILITY TO USE THE PROGRAM, EVEN IF ENTERASYS HAS BEEN ADVISED OF THE POSSIBILITY OF SUCH DAMAGES. THIS FOREGOING LIMITATION SHALL APPLY REGARDLESS OF THE CAUSE OF ACTION UNDER WHICH DAMAGES ARE SOUGHT.

THE CUMULATIVE LIABILITY OF ENTERASYS TO YOU FOR ALL CLAIMS RELATING TO THE PROGRAM, IN CONTRACT, TORT OR OTHERWISE, SHALL NOT EXCEED THE TOTAL AMOUNT OF FEES PAID TO ENTERASYS BY YOU FOR THE RIGHTS GRANTED HEREIN.

8. AUDIT RIGHTS. You hereby acknowledge that the intellectual property rights associated with the Program are of critical value to Enterasys and, accordingly, You hereby agree to maintain complete books, records and accounts showing (i) license fees due and paid, and (ii) the use, copying and deployment of the Program. You also grant to Enterasys and its authorized representatives, upon reasonable notice, the right to audit and examine during Your normal business hours, Your books, records, accounts and hardware devices upon which the Program may be deployed to verify compliance with this Agreement, including the verification of the license fees due and paid Enterasys and the use, copying and deployment of the Program. Enterasys' right of examination shall be exercised reasonably, in good faith and in a manner calculated to not unreasonably interfere with Your business. In the event such audit discovers non-compliance with this Agreement, including copies of the Program made, used or deployed in breach of this Agreement, You shall promptly pay to Enterasys the appropriate license fees. Enterasys reserves the right, to be exercised in its sole discretion and without prior notice, to terminate this license, effective immediately, for failure to comply with this Agreement. Upon any such termination, You shall immediately cease all use of the Program and shall return to Enterasys the Program and all copies of the Program.

9. OWNERSHIP. This is a license agreement and not an agreement for sale. You acknowledge and agree that the Program constitutes trade secrets and/or copyrighted material of Enterasys and/or its suppliers. You agree to implement reasonable security measures to protect such trade secrets and copyrighted material. All right, title and interest in and to the Program shall remain with Enterasys and/or its suppliers. All rights not specifically granted to You shall be reserved to Enterasys.

10. ENFORCEMENT. You acknowledge and agree that any breach of Sections 2, 4, or 9 of this Agreement by You may cause Enterasys irreparable damage for which recovery of money damages would be inadequate, and that Enterasys may be entitled to seek timely injunctive relief to protect Enterasys' rights under this Agreement in addition to any and all remedies available at law.

11. ASSIGNMENT. You may not assign, transfer or sublicense this Agreement or any of Your rights or obligations under this Agreement, except that You may assign this Agreement to any person or entity which acquires substantially all of Your stock or assets. Enterasys may assign this Agreement in its sole discretion. This Agreement shall be binding upon and inure to the benefit of the parties, their legal representatives, permitted transferees, successors and assigns as permitted by this Agreement. Any attempted assignment, transfer or sublicense in violation of the terms of this Agreement shall be void and a breach of this Agreement.

12. WAIVER. A waiver by Enterasys of a breach of any of the terms and conditions of this Agreement must be in writing and will not be construed as a waiver of any subsequent breach of such term or condition. Enterasys' failure to enforce a term upon Your breach of such term shall not be construed as a waiver of Your breach or prevent enforcement on any other occasion.

13. SEVERABILITY. In the event any provision of this Agreement is found to be invalid, illegal or unenforceable, the validity, legality and enforceability of any of the remaining provisions shall not in any way be affected or impaired thereby, and that provision shall be reformed, construed and enforced to the maximum extent permissible. Any such invalidity, illegality or unenforceability in any jurisdiction shall not invalidate or render illegal or unenforceable such provision in any other jurisdiction.

14. TERMINATION. Enterasys may terminate this Agreement immediately upon Your breach of any of the terms and conditions of this Agreement. Upon any such termination, You shall immediately cease all use of the Program and shall return to Enterasys the Program and all copies of the Program.

Contents

Figures	xv
Tables.....	xvi

ABOUT THIS GUIDE

Who Should Use This Guide.....	xvii
Structure of This Guide	xviii
How to Use This Guide	xix
Related Documents.....	xix

1

INTRODUCTION

1.1	Overview	1-1
1.2	Connectivity.....	1-3
1.2.1	1G582-09 Fixed Ports.....	1-3
1.2.2	1G587-09 Fixed Ports.....	1-3
1.2.3	Ethernet Expansion Modules	1-3
1.3	Standards Compatibility	1-4
1.4	Getting Help	1-5

2

NETWORK REQUIREMENTS

2.1	Port Trunking Feature	2-1
2.2	10BASE-T Network	2-1
2.3	100BASE-TX Network.....	2-2
2.4	100BASE-FX Network.....	2-2
2.5	1000BASE-SX/LX Network	2-2
2.6	1000BASE-T Network	2-2

3

HARDWARE INSTALLATION

3.1	Required Tools.....	3-2
3.2	Unpacking the Device	3-2
3.3	Installing Options.....	3-2
3.4	Installing an Optional Ethernet Expansion Module	3-3
3.4.1	Removing the Front Panel Coverplate.....	3-4
3.4.2	Installing an Ethernet Expansion Module.....	3-4
3.4.3	Removing the Ethernet Expansion Module.....	3-6
3.5	Installing Optional GBICs	3-6

3.5.1	Side Clip GBICs	3-7
3.5.1.1	Installing the Side Clip GBIC	3-7
3.5.1.2	Removing the Side Clip GBIC	3-9
3.5.2	Locking Bar GBICs	3-9
3.5.2.1	Installing the Locking Bar GBIC	3-10
3.5.2.2	Removing the Locking Bar GBIC	3-12
3.6	Installing Optional Mini-GBICs	3-12
3.7	Installing the Device	3-15
3.7.1	Rackmount Installation.....	3-16
3.7.1.1	Guidelines for Rackmount Installation.....	3-16
3.7.1.2	Installation	3-17
3.7.2	Attaching the Strain-Relief Bracket.....	3-17
3.7.3	Rack Mounting the Device	3-18
3.7.4	Connecting Power.....	3-19
3.8	Connecting to the Network.....	3-21
3.8.1	Connecting UTP Cables	3-21
3.8.2	Connecting Fiber-Optic Cables to GBICs	3-25
3.8.3	GPIM-09 Connection Using Multimode Cable	3-25
3.8.4	Network Connection Using Fiber-Optic Cable	3-26
3.8.5	Connecting Fiber-Optic Cables to MT-RJ Ports.....	3-28
3.9	Connecting to Console Port for Local Management	3-30
3.9.1	What Is Needed	3-30
3.9.2	Connecting to an IBM or Compatible Device	3-31
3.9.3	Connecting to a VT Series Terminal	3-32
3.9.4	Connecting to a Modem.....	3-33
3.9.5	Adapter Wiring and Signal Assignments.....	3-34
3.10	Completing the Installation.....	3-35

4 TROUBLESHOOTING

4.1	Using LANVIEW.....	4-1
4.2	Troubleshooting Checklist.....	4-3
4.3	Using the Reset switch.....	4-6

A SPECIFICATIONS

A.1	1G582-09 and 1G587-09 Specifications	A-2
A.2	Ethernet Expansion Module Specifications.....	A-3
A.2.1	Ethernet Expansion Module Physical Properties	A-4
A.3	Mini-GBIC Input/Output Specifications.....	A-4
A.3.1	Gigabit Ethernet Specifications.....	A-5
A.3.2	MGBIC-LC01/MGBIC-MT01 Specifications (1000BASE-SX)	A-5
A.3.3	MGBIC-LC03 Specifications (1000BASE-SX)	A-6
A.3.4	MGBIC-LC09 Specifications (1000BASE-LX).....	A-7
A.3.5	MGBIC-08 Specifications (1000BASE-ELX).....	A-7

	A.3.6	MGBIC-02 Specifications (1000BASE-T)	A-8
A.4		GPIM Specifications	A-9
	A.4.1	GPIM-01 Specifications (1000BASE-SX)	A-9
	A.4.2	GPIM-08 Specifications (1000BASE-EX)	A-10
	A.4.3	GPIM-09 Specifications (1000BASE-SX/LX)	A-10
	A.4.4	GPIM Physical Properties	A-11
A.5		Console Port Pinout Assignments.....	A-11
A.6		Regulatory Compliance.....	A-12

B

OPTIONAL INSTALLATIONS AND MODE SWITCH BANK SETTINGS

B.1		Required Tools.....	B-1
B.2		Removing the Chassis Cover.....	B-2
B.3		Setting the Mode Switches.....	B-4
B.4		SIMM Replacement Procedure	B-6
	B.4.1	Locating SIMMs	B-6
	B.4.2	Removing the DRAM SIMM.....	B-6
	B.4.3	Installing the DRAM SIMM.....	B-7

INDEX

Figures

Figure	Page
1-1	Matrix E1 1G582-09 and 1G587-09 Standalone Devices 1-2
1-2	Optional Ethernet Expansion Modules (Port 1 identified)..... 1-4
3-1	Removing the Front Panel Coverplate 3-4
3-2	Installing the Ethernet Expansion Module 3-5
3-3	Different Physical Styles of GBICs 3-7
3-4	Installing a Side Clip GBIC 3-8
3-5	GBIC Metal Locking Bar Positions 3-11
3-6	Mini-GBIC with MT-RJ Connector 3-14
3-7	Mini-GBIC with LC Connector 3-14
3-8	Clearance Required for Tabletop or Shelf Installation..... 3-16
3-9	Attaching the Strain-Relief Bracket 3-18
3-10	Attaching the Rackmount Brackets 3-18
3-11	Fastening the Device to the Rack 3-19
3-12	Device, Rear View..... 3-20
3-13	Connecting a Twisted Pair Segment to the 1G582-09 3-22
3-14	Four-Wire Crossover Cable RJ45 Pinouts for 10/100BASE-TX..... 3-23
3-15	Four-Wire Straight-Through Cable RJ45 Pinouts for 10/100BASE-TX 3-23
3-16	Eight-Wire Crossover Cable RJ45 Pinouts for 10BASE-T/100BASE-TX/1000BASE-T 3-24
3-17	Eight-Wire Straight-Through Cable RJ45 Pinouts for 10BASE-T/100BASE-TX/1000BASE-T 3-24
3-18	GPIM-09 Launch Mode Conditioning Cable Connection..... 3-26
3-19	Fiber-optic GBIC Connections..... 3-27
3-20	Cable Connection to MT-RJ Multimode Fiber-Optic Connectors 3-29
3-21	Connecting an IBM PC or Compatible 3-31
3-22	Connecting a VT Series Terminal 3-32
3-23	Connecting to a Modem 3-33
4-1	LANVIEW LEDs 4-1
4-2	Reset Switch 4-6
B-1	Removing the Chassis Cover B-3
B-2	Mode Switch Location (Chassis, Top View) B-5
B-3	SIMM Connector Location (Chassis, Top View)..... B-6
B-4	Removing the Existing DRAM SIMM..... B-7
B-5	Installing the DRAM..... B-8

Tables

Table		Page
1-1	Optional Ethernet Expansion Modules, Compliance, and Physical Connection	1-4
3-1	Contents of Shipping Carton	3-2
4-1	LANVIEW LEDs	4-2
4-2	Troubleshooting Checklist.....	4-3
A-1	1G582-09 and 1G587-09 Specifications	A-2
A-2	Ethernet Expansion Module Input/Output Port Specifications	A-3
A-3	Mini-GBIC Input/Output Port Specifications	A-4
A-4	MGBIC-LC01/MGBIC-MT01 Optical Specifications	A-5
A-5	MGBIC-LC01/MGBIC-MT01 Operating Range	A-5
A-6	MGBIC-LC03 Optical Specifications	A-6
A-7	MGBIC-LC03 Operating Range	A-6
A-8	MGBIC-LC09 Optical Specifications	A-7
A-9	MGBIC-LC09 Operating Range	A-7
A-10	MGBIC-08 Optical Specifications.....	A-7
A-11	MGBIC-08 Operating Range.....	A-8
A-12	MGBIC-02 Specifications.....	A-8
A-13	GBIC Input/Output Port Specifications.....	A-9
A-14	GPIM-01 Optical Specifications	A-9
A-15	GPIM-01 Operating Range	A-9
A-16	GPIM-08 Optical Specifications	A-10
A-17	GPIM-08 Operating Range	A-10
A-18	GPIM-09 Optical Specifications	A-10
A-19	GPIM-09 Operating Range	A-11
A-20	Console Port Pin Assignments	A-11
A-21	Compliance Standards.....	A-12

About This Guide

This guide provides an overview, installation and troubleshooting instructions, and specifications for the 1G582-09, 1G587-09, and optional expansion modules and Gigabit Interface Card (GBIC).

For information about the Command Line Interface (CLI) set of commands used to configure and manage the device, refer to the Enterasys Networks™ *Matrix E1 Series (1G58x-09 and 1H582-xx) Configuration Guide*.



NOTE: In this guide, the term 1G58x-09 is used when the information applies to both the 1G582-09 and the 1G587-09. When the information applies to only one of the devices, it is referred to by its model number.

Ethernet expansion module (or simply expansion module) refers to an optional expansion card that plugs directly into an expansion port slot of the 1G58x-09.

Gigabit Interface Card (GBIC) refers to an optional interface card that plugs into an Ethernet expansion module that supports GBICs. The Enterasys Networks GBIC models are GPIM-01, GPIM-08, and GPIM-09.

Important Notice

Depending on the firmware version used in the 1G58x-09, some features described in this document may not be supported. Refer to the Release Notes shipped with the device to determine which features are supported.

WHO SHOULD USE THIS GUIDE

This guide is intended for a network administrator responsible for installing and setting up the 1G58x-09 device.



ELECTRICAL HAZARD: Only qualified personnel should perform installation procedures.

RIESGO ELÉCTRICO: Solamente personal calificado debe realizar procedimientos de instalacion.

ELEKTRISCHER GEFAHRENHINWEIS: Installationen sollten nur durch ausgebildetes und qualifiziertes Personal vorgenommen werden.

STRUCTURE OF THIS GUIDE

This guide is organized as follows:

This preface provides preliminary information to help you use this guide, a brief summary of each chapter, defines conventions used in this guide, and lists technology guides that may help you set up and manage the 1G58x-09.

Chapter 1, **Introduction**, provides an overview of the 1G58x-09 and the optional Ethernet expansion modules, and explains how to contact Enterasys Networks for technical support.

Chapter 2, **Network Requirements**, outlines the network requirements that must be met before installing the 1G58x-09.

Chapter 3, **Hardware Installation**, provides instructions on how to install the 1G58x-09 on a table top or into a standard 19-inch rack, install optional expansion modules, and connect segments to the device and any installed option.

Chapter 4, **Troubleshooting**, describes the function of the LANVIEW[®] LEDs, which can help to quickly diagnose network/operational problems.

Appendix A, **Specifications**, contains information on port operating specifications, connector pinouts, environmental requirements, and physical properties for the 1G58x-09, Mini Gigabit Interface Cards (Mini-GBICs), optional Ethernet expansion modules, Gigabit Interface Cards (GBICs) and the media they support.

Appendix B, **Optional Installations and Mode Switch Bank Settings**, describes how to set the Mode Switch and replace the DRAM SIMM.

HOW TO USE THIS GUIDE

For...	Refer to...
An overview of the 1G58x-09 features and getting technical support from Enterasys Networks	Chapter 1, Introduction
Network requirements that must be met before installing the 1G58x-09	Chapter 2, Network Requirements
Instructions to install the 1G58x-09 hardware and optional interface cards	Chapter 3, Hardware Installation
Diagnosing network/operational problems using the LANVIEW LEDs	Chapter 4, Troubleshooting
Specifications, environmental requirements, and physical properties of the 1G58x-09, the optional Ethernet expansion modules, GBIC and Mini-GBIC cards	Appendix A, Specifications
Instructions to set the mode switches when necessary	Appendix B, Optional Installations and Mode Switch Bank Settings

RELATED DOCUMENTS

The manuals listed below can be obtained from the World Wide Web in Adobe Acrobat Portable Document Format (PDF) at the following site:

<http://www.enterasys.com/support/manuals>

- *Matrix E1 Series (1G58x-09 and 1H582-xx) Configuration Guide* provides information concerning use of the Command Line Interface to set up and manage the 1G58x-09.
- *Cabling Guide* provides information on dB loss and cable specifications.

Unlike the *Matrix E1 Series (1G58x-09 and 1H582-xx) Configuration Guide*, the *Cabling Guide* is not listed alphabetically on the web site. Instead, it is listed under the *Overview Guides* link.

Conventions Used in This Guide

The following conventions are used in this guide:



NOTE: Calls the reader's attention to any item of information that may be of special importance.



TIP: Conveys helpful hints concerning procedures or actions.



CAUTION: Contains information essential to avoid damage to the equipment.

CAUTELA: Contiene información esencial para prevenir dañar el equipo.

ACHTUNG: Verweist auf wichtige Informationen zum Schutz gegen Beschädigungen.



ELECTRICAL HAZARD: Warns against an action that could result in personal injury or death due to an electrical hazard.

RIESGO ELECTRICO: Advierte contra una acción que pudiera resultar en lesión corporal o la muerte debido a un riesgo eléctrico.

ELEKTRISCHER GEFAHRENHINWEIS: Warnung vor sämtlichen Handlungen, die zu Verletzung von Personen oder Todesfällen – hervorgerufen durch elektrische Spannung – führen können!



WARNING: Warns against an action that could result in personal injury or death.

ADVERTENCIA: Advierte contra una acción que pudiera resultar en lesión corporal o la muerte.

WARNHINWEIS: Warnung vor Handlungen, die zu Verletzung von Personen oder gar Todesfällen führen können!

Lowercase X: Indicates the general use on an alphanumeric character (e.g., 1G58x-09, the x could indicate a combination of numbers or letters.)

Introduction

This chapter introduces the Matrix E1 1G582-09 and 1G587-09 standalone network switching devices. When the information applies to both devices, the devices will be referred to as 1G58x-09.

Important Notice

Depending on the firmware version used in the device, some features described in this document may not be supported. Refer to the Release Notes shipped with the 1G58x-09 to determine which features are supported.

1.1 OVERVIEW

The 1G582-09 and 1G587-09 have the same features except for the type of fixed front-panel port connectors.

1G582-09

The 1G582-09 ([Figure 1-1](#)) has six 10BASE-T/100BASE-TX/1000BASE-T compliant ports via front panel RJ45 connectors, and three expansion slots for optional Ethernet expansion modules.

At 10 or 100 Mbps, the fixed front panel ports can operate in either half-duplex or full-duplex mode, as determined by Auto-Negotiation. Full-duplex can also be manually configured. Half-duplex is not supported when operating at 1000 Mbps.

1G587-09

The 1G587-09 has six 1000BASE-X compliant ports via fixed front panel port slots, and three expansion slots for optional Ethernet expansion modules.

The fixed front panel ports support Small Form Factor Pluggable (SFP) fiber-optic connections via optional Mini-Gigabit Interface Cards (Mini-GBICs).

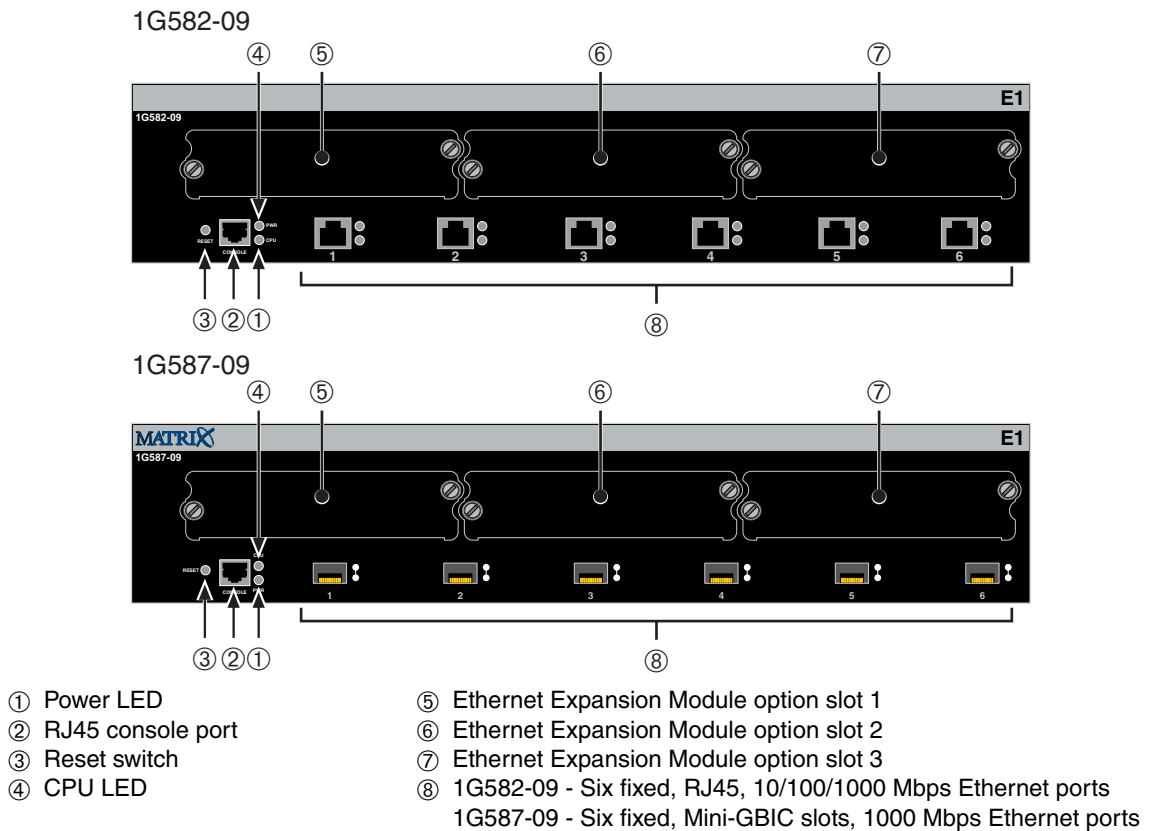
1G582-09 or 1G587-09 (1G58x-09)

The 1G58x-09 switching functions can be configured using the WebView™ application, CLI switching commands, or SNMP.

The 1G58x-09 device can be installed as a tabletop unit or installed into a standard 19-inch rack using the supplied rack mounting hardware.

The 1G58x-09 has two power supplies. If one power supply fails, the remaining power supply assumes the entire load of the device without interruption to network traffic. Each power supply module supports its own ac input connection, which enables each power supply to be connected to a different ac power circuit for power source redundancy.

Figure 1-1 Matrix E1 1G582-09 and 1G587-09 Standalone Devices



1.2 CONNECTIVITY

The type of connectivity is dependent on the device fixed front-panel ports and the optional Ethernet expansion module installed as described in the following sections.

1.2.1 1G582-09 Fixed Ports

The 1G582-09 connects to Ethernet networks or workstations via six fixed front panel RJ45 connectors. These ports support Category 5 cables with lengths up to 100 meters (328 feet). The ports are IEEE 802.3 10BASE-T, 100BASE-TX, and 1000BASE-T compliant. There are also three uplink Ethernet expansion ports for optional Ethernet expansion modules described in [Section 1.2.3](#).

1.2.2 1G587-09 Fixed Ports

The 1G587-09 connects to Ethernet networks or workstations through six 1000BASE-X fixed front panel port slots. These port slots support Small Form Factor Pluggable (SFP) fiber-optic connections via optional Mini-Gigabit Interface Cards (Mini-GBICs). There are also three uplink Ethernet expansion ports for optional Ethernet expansion modules described in [Section 1.2.3](#).

1.2.3 Ethernet Expansion Modules

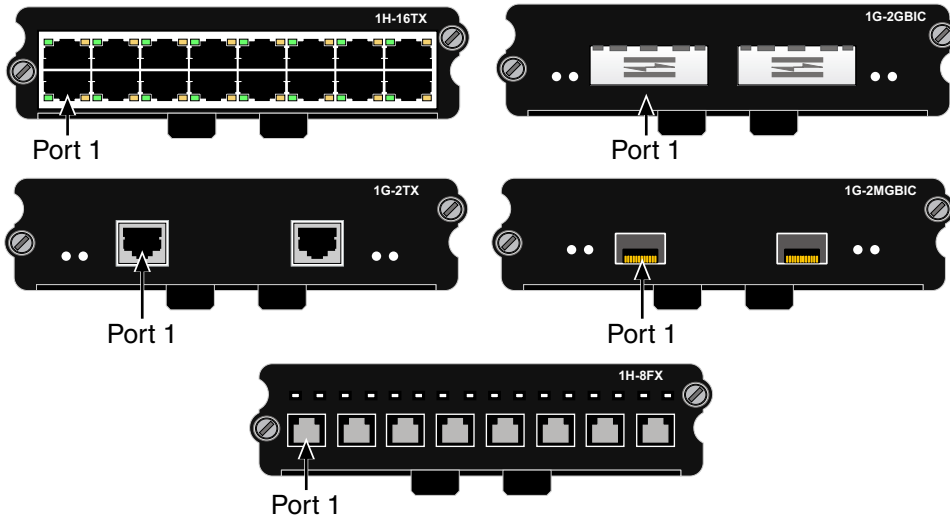
Depending on the device and Ethernet expansion module(s) installed, the uplinks can be

- Fast Ethernet 10/100 Mbps or Gigabit Ethernet via RJ45 connectors,
- Ethernet 100 Mbps multimode fiber-optic via MT-RJ connectors,
- Gigabit Ethernet 1000 Mbps via short or long wavelength GBIC fiber-optics SC connections, or
- Ethernet 1000 Mbps fiber-optic connections via optional Mini-GBIC connections.

[Figure 1-2](#) shows the Ethernet expansion modules available at the time of this printing and the location of port 1 in each module. [Table 1-1](#) indicates which standard the modules comply with and the type of physical connections.



CAUTION: The expansion modules are **NOT** hot-swappable. The switch must be powered down before the expansion modules are installed or removed. Hot-swapping the expansion modules while the switch is powered on could cause the device to stop forwarding frames.

Figure 1-2 Optional Ethernet Expansion Modules (Port 1 identified)**Table 1-1 Optional Ethernet Expansion Modules, Compliance, and Physical Connection**

Ethernet Expansion Module...	Compliant to...	With...
1H-16TX	10/100BASE-TX	Sixteen fixed RJ45 connectors
1G-2TX	1000BASE-TX	Two fixed RJ45 connectors
1G-2GBIC	1000BASE-SX/LX	Two slots for optional GBICs (GBICs have one SC connector)
1G-2MGBIC	1000BASE-SX	Two slots for optional Mini-GBICs (Mini-GBICs can have 1 MT-RJ, LC, or RJ45 connector)
1H-8FX	100BASE-FX	Eight fixed MT-RJ connectors

1.3 STANDARDS COMPATIBILITY

The 1G58x-09 is fully compliant with the IEEE 802.1D, 802.1Q, and 802.3 standards.

1.4 GETTING HELP

For additional support related to the modules or this document, contact Enterasys Networks using one of the following methods:

World Wide Web	http://www.enterasys.com/support
Phone	603-332-9400 1-800-872-8440 (toll-free in U.S. and Canada) For the Enterasys Networks Support toll-free number in your country: http://www.enterasys.com/support/gtac-all.html
Internet mail	support@enterasys.com To expedite your message, please type [eth] in the subject line.

To send comments or suggestions concerning this document to the Technical Writing Department:
techwriting@enterasys.com

To expedite your message, please type **[techwriting]** in the subject line, and include the document Part Number in the email message.

Before contacting Enterasys Networks for technical support, have the following information ready:

- Your Enterasys Networks service contract number
- A description of the failure
- A description of any action(s) already taken to resolve the problem (for example, changing mode switches or rebooting the unit)
- The serial and revision numbers of all involved Enterasys Networks products in the network
- A description of your network environment (such as layout, cable type, other relevant environmental information)
- Network load and frame size at the time of trouble (if known)
- The device history (for example, if you have returned the device before, or if this a recurring problem)
- Any previous Return Material Authorization (RMA) numbers

Network Requirements

Before installing the 1G58x-09, review the requirements and specifications referred to in this chapter concerning the following:

- Port Trunking feature ([Section 2.1](#))
- 10BASE-T Twisted Pair network ([Section 2.2](#))
- 100BASE-TX Twisted Pair network ([Section 2.3](#))
- 100BASE-FX Multimode Fiber-Optic network ([Section 2.4](#))
- 1000BASE-SX/LX Fiber-Optic network ([Section 2.5](#))
- 1000BASE-T Twisted Pair network ([Section 2.6](#))



CAUTION: The network installation must meet the requirements to ensure satisfactory performance of this equipment. Failure to do so will produce poor network performance.



NOTE: The *Matrix E1 Series (1G58x-09 and 1H582-xx) Configuration Guide* and *Cabling Guide* referred to in the following sections can be found on the Enterasys Networks World Wide Web site: <http://www.enterasys.com/>

2.1 PORT TRUNKING FEATURE

Before connecting the device to a network so it can take advantage of the Port Trunking feature, there are certain rules concerning port connections and configurations that must be followed for proper operation. Refer to the *Matrix E1 Series (1G58x-09 and 1H582-xx) Configuration Guide* for additional information.

2.2 10BASE-T NETWORK

When connecting a 10BASE-T twisted pair segment to one of the fixed ports (1 through 6), or to an optional Ethernet expansion module, ensure that the network meets the Ethernet network requirements of the IEEE 802.3 standard for 10BASE-T. Refer to the *Cabling Guide* for details.



NOTE: If a port is to operate at 100 or 1000 Mbps, Category 5 cabling must be used. Category 3 cabling does not meet the 100 or 1000 Mbps specifications. For 10 Mbps operation only, Category 3, Category 4, or Category 5 cabling can be used. Refer to [Section 2.3](#) and [Section 2.6](#) for information about 100BASE-TX and 1000BASE-TX networks and cabling.

2.3 100BASE-TX NETWORK

When connecting a 100BASE-TX twisted pair segment to one of the fixed ports (1 through 6), or to an optional Ethernet expansion module, use Category 5 UTP cabling. The device at the other end of the twisted pair segment must meet IEEE 802.3u 100BASE-TX Fast Ethernet network requirements for the devices to operate at 100 Mbps.



NOTE: The fixed ports of the device support Category 5 UTP cabling with an impedance between 85 and 111 ohms for 100 Mbps operation.

The device is capable of operating at either 10 or 100 Mbps. The device automatically senses the speed of the other device and adjusts its speed accordingly when Auto-Negotiation is enabled.

2.4 100BASE-FX NETWORK

When connecting a 100BASE-FX multimode fiber-optic segment to an MT-RJ port connector on an optional Ethernet expansion module, the port must meet the optical performance requirements of the 100BASE-FX, IEEE 802.3u standard. The device at the other end of the segment must also meet the 100BASE-FX Fast Ethernet network requirements to operate at 100 Mbps.

2.5 1000BASE-SX/LX NETWORK

The fixed front-panel port slots (1 through 6) of the 1G587-09 and the ones on the optional 1G-2MGBIC expansion module provide fiber-optic connections operating at 1000 Mbps (1 Gbps) via optional Mini-GBICs. Depending on the Mini-GBIC used, different types of cabling connections are supported. The device at the other end of the fiber-optic connection must meet IEEE 802.3-2002 Gigabit Ethernet requirements for the devices to operate at Gigabit speed. Refer to [Appendix A](#) for further details on Mini-GBIC specifications.

2.6 1000BASE-T NETWORK

When connecting a 1000BASE-T Gigabit Ethernet twisted-pair segment to one of the 1G582-09 fixed ports (1 through 6) or to an optional Ethernet expansion module that supports 1000BASE-T, use Category 5 UTP cabling. The device at the other end of the twisted pair segment must meet IEEE 802.3z 1000BASE-TX Gigabit Ethernet network requirements for the devices to operate at 1000 Mbps.

Hardware Installation



ELECTRICAL HAZARD: Only qualified personnel should install or service this unit.

RIESGO ELÉCTRICO: Solamente personal capacitado debe de instalar o darle servicio a esta unida.

ELEKTRISCHER GEFAHRENHINWEIS: Installationen oder Servicearbeiten sollten nur durch ausgebildetes und qualifiziertes Personal vorgenommen werden.



NOTE: Read the Release Notes shipped with the device to check for any exceptions to the supported features and operation documented in this guide.

This chapter provides the instructions required to install the 1G58x-09. Follow the order of the sections as listed below to correctly install the device.

- Unpacking the device ([Section 3.2](#))
- Installing options ([Section 3.3](#))
- Installing the device (on a shelf or tabletop, or into a standard rack) ([Section 3.7](#))
- Connecting to the network ([Section 3.8](#))
- Completing the installation ([Section 3.10](#))

3.1 REQUIRED TOOLS

A Phillips screwdriver is required to install the device into a rack or to install an Ethernet expansion module.

3.2 UNPACKING THE DEVICE

Unpack the device as follows:

1. Open the box and remove the packing material protecting the device.
2. Verify the contents of the carton as listed in [Table 3-1](#).

Table 3-1 Contents of Shipping Carton

Item	Quantity
1G582-09 or 1G587-09	1
Cable Management Bar and Associated Hardware	1
Pair of Rack Mounting Brackets and Associated Hardware	1
Manual Accessory Kit	1
Power Cord	2

3. Remove the tape seal on the non-conductive bag to remove the device.
4. Perform a visual inspection of the device for any signs of physical damage. Contact Enterasys Networks if there are any signs of damage. Refer to [Section 1.4](#) for details.

3.3 INSTALLING OPTIONS



NOTE: If you are installing optional Ethernet expansion modules, or GBICs in the 1G58x-09, it is recommended that you install the GBICs in the 1G58x-09 first, especially in a rackmount installation.



CAUTION: The expansion modules are **NOT** hot-swappable. The switch must be powered down before the expansion modules are installed or removed. Hot-swapping the expansion modules while the 1G58x-09 is powered on could cause the device to stop forwarding frames.

The 1G58x-09 has three expansion slots for optional Ethernet expansion modules. At the time of this printing, five Ethernet expansion module options were available for the 1G58x-09. Refer to your release notes for the latest available Ethernet expansion modules.

The five optional Ethernet expansion modules include the following:

- 1H-16TX, which provides 16 fixed, 10/100BASE-TX port uplinks via twisted pair RJ45 connections.
- 1H-8FX, which provides 8 fixed, 100BASE-FX port uplinks via MT-RJ fiber-optic connections.
- 1G-2TX, which provides 2 fixed, 10/100/1000BASE-TX Gigabit Ethernet port uplinks via twisted pair RJ45 connections.
- 1G-2GBIC, which provides 2 expansion slots for optional GBICs (GBICs have 1 SC connector).
- 1G-2MGBIC, which provides 2 expansion slots for optional Mini-GBICs (Mini-GBICs can have one MT-RJ, LC, or RJ45 connector).

Proceed to [Section 3.4](#) for the procedures to install optional Ethernet expansion modules.

3.4 INSTALLING AN OPTIONAL ETHERNET EXPANSION MODULE



NOTE: Install any optional equipment before proceeding to [Section 3.7](#).



CAUTION: An antistatic wrist strap is required to perform the following procedures to minimize ESD damage to the devices involved.

Installing an Ethernet expansion module involves the following:

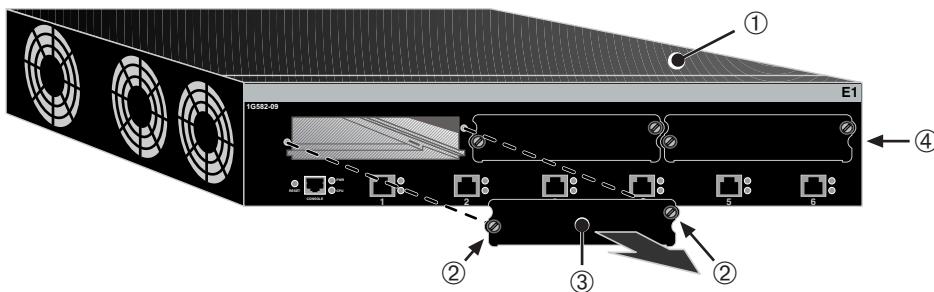
- Removing the front panel coverplate ([Section 3.4.1](#))
- Installing the Ethernet expansion module ([Section 3.4.2](#))
- Installing GBICs ([Section 3.5](#)) or Mini-GBICs ([Section 3.6](#)). This is dependent on if a 1G-2GBIC or 1G-2MGBIC was installed.

3.4.1 Removing the Front Panel Coverplate

Refer to [Figure 3-1](#) and proceed as follows:

1. Attach the antistatic wrist strap (refer to the instructions on the antistatic wrist strap package).
2. Place the 1G58x-09 ① on an antistatic pad (not shown) on a sturdy flat surface.
3. Loosen the two captive screws ② until the coverplate ③ is released from the front panel ④.
4. Remove the coverplate ③ from the front panel. Save the coverplate for future use if necessary.

Figure 3-1 Removing the Front Panel Coverplate



- | | |
|---------------------------------|---------------|
| ① 1G582-09 | ③ Coverplate |
| ② Coverplate captive screws (2) | ④ Front panel |
-

3.4.2 Installing an Ethernet Expansion Module



CAUTION: The expansion modules are **NOT** hot-swappable. The switch must be powered down before the expansion modules are installed or removed. Hot-swapping the expansion modules while the 1G58x-09 is powered on could cause the device to stop forwarding frames.

Refer to [Figure 3-2](#) and proceed as follows:

1. Pull the two Ethernet expansion module levers ① outward to their maximum travel.

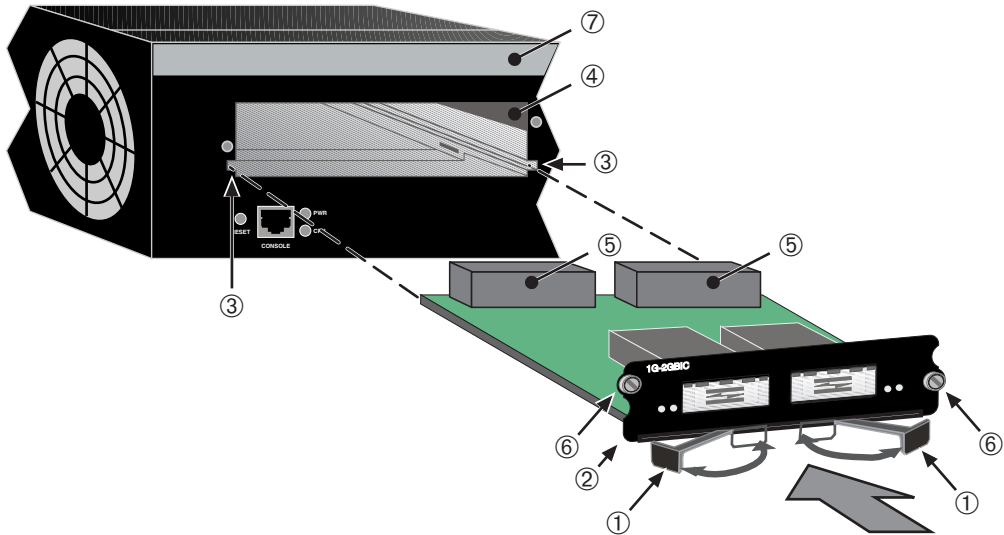


CAUTION: If the expansion module does not insert smoothly when performing steps 2 or 3, do not force into place. Remove the expansion module and repeat the steps.

2. Align the Ethernet expansion module ② with the guides ③ inside the option slot ④, and push the module into the slot until the levers ① just begin to move back towards each other.

3. Rotate the two levers ① back into their center positions to fully seat the module rear connectors ⑤.
4. Tighten the two captive screws ⑥ to secure the Ethernet expansion module ② to the device front panel ⑦.

Figure 3-2 Installing the Ethernet Expansion Module



- | | |
|-----------------------------|----------------------|
| ① Levers | ⑤ Rear connectors |
| ② Ethernet Expansion Module | ⑥ Captive screws (2) |
| ③ Guides | ⑦ Front panel |
| ④ Option slot | |

This completes the Ethernet expansion module installation. If you installed an Ethernet expansion module that accepts GBICs, proceed to [Section 3.5](#) for installation instructions. Otherwise, proceed to [Section 3.7](#) to continue installing the device.

3.4.3 Removing the Ethernet Expansion Module

To remove the Ethernet expansion module, refer back to [Figure 3-2](#) and proceed as follows:



CAUTION: The expansion modules are **NOT** hot-swappable. The 1G58x-09 must be powered down before the expansion modules are installed or removed. Hot-swapping the expansion modules while the 1G58x-09 is powered on could cause the device to stop forwarding frames.

1. Unscrew the two captive screws ⑥ fastening the Ethernet expansion module ② to the device front panel ⑦.
2. Pull the two levers ① out to their maximum travel. This disengages the module rear connectors ⑤ part way.
3. To remove the module ② completely from the slot ④, move the module gently from side to side until loosened. Then pull the module out of the slot.



CAUTION: If the slot is not going to be populated by another Ethernet expansion module, you must replace the slot coverplate to prevent EMI emissions.

This completes the removal procedure.

3.5 INSTALLING OPTIONAL GBICs

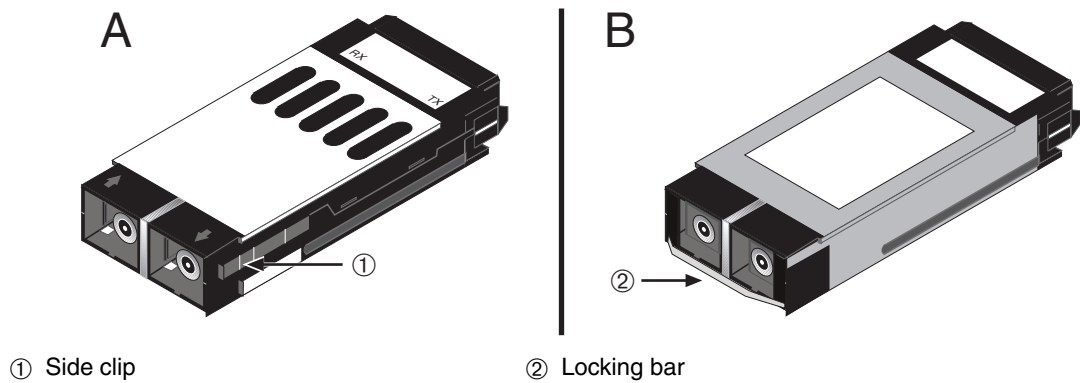
The optional Enterasys Networks GBICs (models GPIM-01, GPIM-08, and GPIM-09) are hot-swappable and may be installed into the Ethernet expansion module whether or not the device is powered up. In either case, use the following installation instructions to prevent damaging either the GBIC or the host Ethernet expansion module.

There are two different physical styles of GBICs that can be installed into the device.

- One style has the squeeze-latch side clips as shown in [Figure 3-3](#), view A. [Section 3.5.1](#) provides the installation procedure.
- The other style has the locking bar as shown in [Figure 3-3](#), view B. [Section 3.5.2](#) provides the installation procedure.



CAUTION: The GBIC, 1G-2GBIC, and 1G58x-09 are sensitive to static discharges. Use an antistatic wrist strap and observe all static precautions during this procedure. Failure to do so could result in damage to the GBIC, 1G-2GBIC, or 1G58x-09. Always leave the GBIC in the antistatic bag in which it was shipped or an equivalent antistatic container until ready to install it.

Figure 3-3 Different Physical Styles of GBICs

After installing a GBIC, refer to [Section 3.8](#) for details on connecting the GBIC to the network.

3.5.1 Side Clip GBICs

This section applies only to side clip GBICs.



CAUTION: Damage can result to the GBIC and host 1G-2GBIC if the directions in this section are not followed carefully.

Refer to [Appendix A](#) for cable specifications for the GBICs.



CAUTION: The GBIC, 1G-2GBIC, and 1G58x-09 are sensitive to static discharges. Use an antistatic wrist strap and observe all static precautions during this procedure. Failure to do so could result in damage to the GBIC, 1G-2GBIC, or 1G58x-09. Always leave the GBIC in the antistatic bag in which it was shipped or an equivalent antistatic container until ready to install it.

3.5.1.1 Installing the Side Clip GBIC

To install the GBICs, refer to [Figure 3-4](#) and proceed as follows:

1. Attach the antistatic strap (refer to the instructions in the antistatic wrist strap package) before removing the GBIC from the antistatic packaging.
2. Remove the GBIC from the packaging.

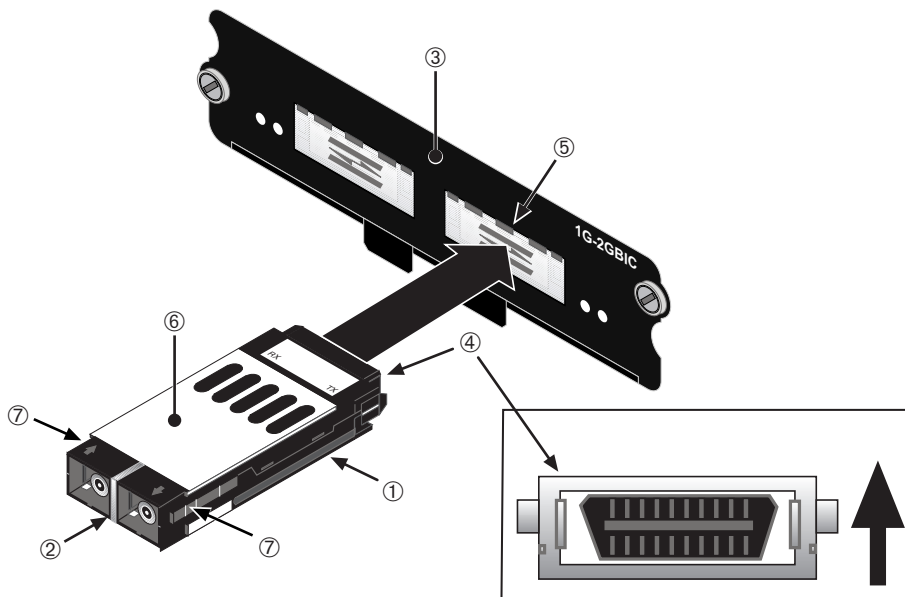
3. Hold the GBIC ① with the network port ② on the insertion end (not shown) facing away from the 1G-2GBIC ③. The 20-pin connector ④ should be facing towards the empty slot, with the wide part of the 20-pin connector oriented upward as shown [Figure 3-4](#).
4. Insert the GBIC (20-pin connector side) into the port slot ⑤ with the top of the GBIC ⑥ adjacent to the door hinge of the slot.



CAUTION: If the GBIC does not insert easily in this step, do not force it (check the orientation against [Figure 3-4](#)). Try again to push the GBIC into the slot until the 20-pin port engages with the connector in the port slot.

The door folds up and the GBIC slides into the port slot, engaging the sides of the GBIC and port slot. The locking tab ⑦ engages when the GBIC connector seats properly in the port.

Figure 3-4 Installing a Side Clip GBIC



- | | |
|--|--------------------------------|
| ① GBIC with side clip | ⑤ Port slot (door hinged side) |
| ② Network connection end | ⑥ Top of GBIC |
| ③ 1G-2GBIC (Ethernet expansion module) | ⑦ Locking tab |
| ④ 20-pin connector (insertion end) | |
-

3.5.1.2 Removing the Side Clip GBIC



CAUTION: Do NOT remove a GBIC from a slot without unlocking the tabs. This can damage the GBIC.

The GBIC, 1G-2GBIC, and 1G58x-09 are sensitive to static discharges. Use an antistatic wrist strap and observe all static precautions during this procedure. Failure to do so could result in damage to the GBIC, 1G-2GBIC and the 1G58x-09. Always leave the GBIC in the antistatic bag or an equivalent antistatic container when not installed.

To remove the GBIC from the 1G-2GBIC, proceed as follows:

1. Attach the antistatic wrist strap (refer to the instructions in the antistatic wrist strap package) before removing the GBIC.
2. Remove any cables connected to the GBIC.
3. Refer back to [Figure 3-4](#). Locate the locking tabs ⑦ on the side of the GBIC ①.
4. Squeeze both locking tabs ⑦ in towards the center of the GBIC ① and hold, and then pull the GBIC out of the port.
5. If storing or shipping the GBIC, insert the dust protector into the GBIC to protect the fiber ports.

3.5.2 Locking Bar GBICs

This section describes how to install and remove GBICs that are equipped with a metal locking bar.

Refer to [Appendix C](#) for GBIC cable specifications.



CAUTION: This section applies only to GBICs equipped with a metal locking bar. Damage can result to the GBIC and 1G-2GBIC if the directions in this manual are not followed carefully.

The GBIC, 1G-2GBIC, and 1G58x-09 are sensitive to static discharges. Use an antistatic wrist strap and observe all static precautions during this procedure. Failure to do so could result in damage to the GBIC, 1G-2GBIC, or 1G58x-09. Always leave the GBIC in the antistatic bag or an equivalent antistatic container when not installed.

3.5.2.1 Installing the Locking Bar GBIC

Prepare and install the GBIC into the 1G-2GBIC, as follows:

Preparation

Before installing the GBIC, proceed as follows:

1. Attach the antistatic wrist strap (refer to the instructions in the antistatic wrist strap package) before removing the GBIC from the antistatic packaging.
2. Remove the GBIC from the packaging.
3. If there is a protective dust cover on the port, remove it from the GBIC.

Installation

To install the GBIC, refer to [Figure 3-5](#) (Views A and B) and proceed as follows:

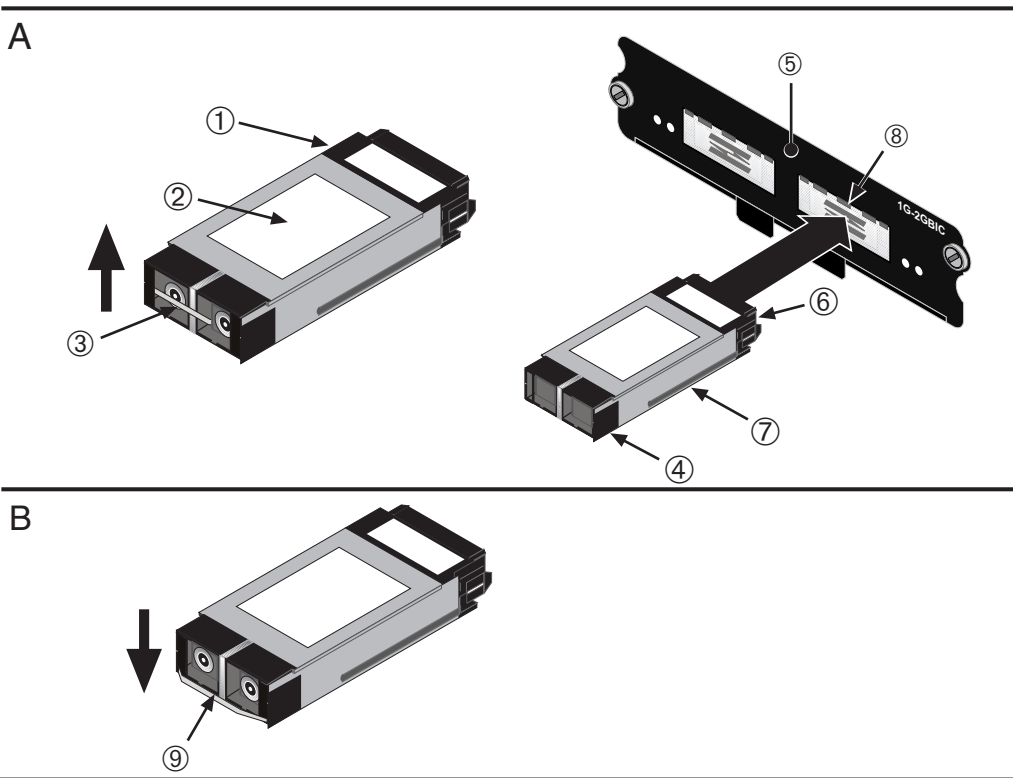
1. Hold the GBIC ① with the top of the body ② facing up, as shown in View A.
2. Lift the metal locking bar ③ upwards as far as it will go. See [Figure 3-5](#), View A. This unlocks the GBIC clips.
3. Hold the GBIC ① with the network port ④ facing away from the 1G-2GBIC ⑤. The 20-pin connector ⑥ should be facing towards the empty port slot ⑧. The top of the GBIC ② must be adjacent to the door hinge of the port slot door.
4. Align the GBIC alignment slots ⑦ with the card guides inside the port slot ⑧. The door folds up into the slot.



CAUTION: If, in the following step, the GBIC does not insert easily and stops about one quarter of the way into the slot, do not try to push it in any further. Remove and check the orientation against [Figure 3-5](#). Try again to push the GBIC into the slot until the 20-pin port engages with the connector in the port slot.

5. Push the GBIC ① back until the 20-pin connector port ⑥ engages with the connector in port slot ⑧.

Figure 3-5 GBIC Metal Locking Bar Positions



- | | |
|---|---|
| ① GBIC | ⑥ 20-pin connector (insertion side) |
| ② Top of GBIC | ⑦ Alignment slots |
| ③ Metal locking bar (up position, unlocked) | ⑧ Port slot |
| ④ Network port | ⑨ Metal locking bar (down position, locked) |
| ⑤ 1G-2GBIC (Ethernet expansion module) | |

6. Once the GBIC 20-pin connector ⑥ has been firmly seated into the port slot, push down on the GBIC metal locking bar until it clicks into place as shown in View B. Do NOT force the locking bar into the locked position. If there is significant resistance while attempting to close the locking bar, remove the GBIC. Inspect it for any problems with the connectors. If there are any problems, contact Enterasys Networks for technical support (refer to “[Getting Help](#)” in [Section 1.4](#)). If there are no problems, re-insert the GBIC carefully, and firmly seat it in the port slot connector.

3.5.2.2 Removing the Locking Bar GBIC



CAUTION: Do NOT remove a GBIC from a slot without unlocking the metal locking bar. This can damage the GBIC.

The GBIC, 1G-2GBIC, and 1G58x-09 are sensitive to static discharges. Use an antistatic wrist strap and observe all static precautions during this procedure. Failure to do so could result in damage to the GBIC, 1G-2GBIC, and 1G58x-09. Always leave the GBIC in the antistatic bag or an equivalent antistatic container when not installed.

To remove a GBIC from the 1G-2GBIC, proceed as follows:

1. Attach the antistatic wrist strap (refer to the instructions in the antistatic wrist strap package) before removing the GBIC.
2. Remove any cables or dust protectors connected to the GBIC.
3. Locate and lift the metal locking bar ③ upwards as far as it will go, as shown in [Figure 3-5, View A](#). This unlocks the GBIC from the port.
4. While holding the metal locking bar in the upwards position, grasp the sides of the GBIC and pull it out of the 1G-2GBIC.
5. If storing or shipping the GBIC, insert the protective dust cover into the GBIC to protect the fiber ports.

3.6 INSTALLING OPTIONAL MINI-GBICs

This section describes how to install a Mini-GBIC into a 1G-2MGBIC Ethernet expansion module.



CAUTION: Carefully follow the instructions in this manual to avoid damaging the Mini-GBIC and 1G-2MGBIC.

The Mini-GBIC, 1G-2MGBIC, and 1G58x-09 are sensitive to static discharges. Use an antistatic wrist strap and observe all static precautions during this procedure. Failure to do so could result in damage to the Mini-GBIC, 1G-2MGBIC, or 1G58x-09. Always leave the Mini-GBIC in the antistatic bag or an equivalent antistatic container when not installed.

To prepare and install a Mini-GBIC into the 1G-2MGBIC, proceed as follows:

Preparation

Before installing the Mini-GBIC, proceed as follows:

1. Attach the antistatic wrist strap (refer to the instructions in the antistatic wrist strap package) before removing the Mini-GBIC from the antistatic packaging.
2. Remove the Mini-GBIC from the packaging.
3. If there is a protective dust cover (see [Figure 3-6](#), ⑤) on the Mini-GBIC port, do not remove it at this time.

Installation

To install a Mini-GBIC with an MT-RJ connection, refer to [Figure 3-6](#), or for a Mini-GBIC with an LC connection, refer to [Figure 3-7](#), and proceed as follows:

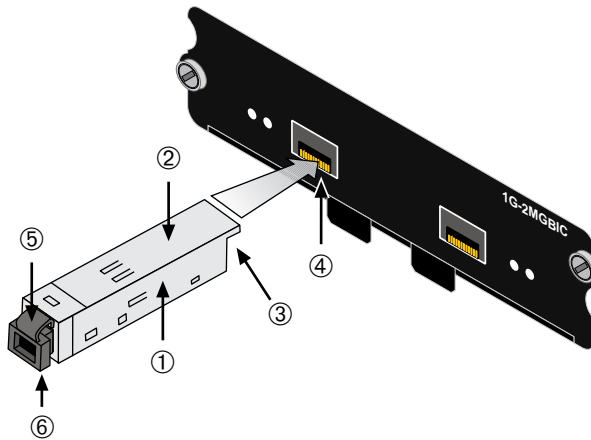


NOTE: If the Mini-GBIC is one with an RJ45 connector (not shown), the installation procedure is the same as described below. However, that type Mini-GBIC has a wire handle to release it.

To install a Mini-GBIC, refer to [Figure 3-6](#) and proceed as follows:

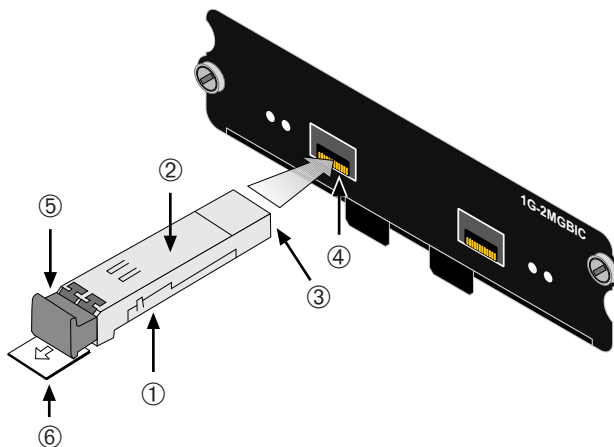
1. Hold the Mini-GBIC ① with its top side ② facing up and its 7-pin edge connector ③ facing the 1G-2MGBIC port slot ④ as shown in [Figure 3-6](#).
2. Carefully align the Mini-GBIC ① with the 1G-2MGBIC port slot ④.
3. Push the Mini-GBIC ① into the port slot ④ until the Mini-GBIC “clicks” and locks into place.

Figure 3-6 Mini-GBIC with MT-RJ Connector



- | | |
|---|------------------------------------|
| ① Mini-GBIC | ④ 1G-2MGBIC port slot |
| ② Mini-GBIC, top side | ⑤ Mini-GBIC, protective dust cover |
| ③ 7-pin edge connector (insertion side) | ⑥ Locking tab |
-

Figure 3-7 Mini-GBIC with LC Connector



- | | |
|---|------------------------------------|
| ① Mini-GBIC (MGBIC-LC01 or MGBIC-LC09) | ④ Port slot |
| ② Mini-GBIC, top side | ⑤ Mini-GBIC, protective dust cover |
| ③ 7-Pin edge connector (insertion side) | ⑥ Release tab |
-

Removing the Mini-GBIC



CAUTION: Do NOT remove a Mini-GBIC from a slot without releasing the locking tab located under the front bottom end of the Mini-GBIC. This can damage the Mini-GBIC.

The Mini-GBIC, 1G-2MGBIC, and 1G58x-09 are sensitive to static discharges. Use an antistatic wrist strap and observe all static precautions during this procedure. Failure to do so could result in damage to the Mini-GBIC, 1G-2MGBIC, or 1G58x-09. Always leave the Mini-GBIC in the antistatic bag or an equivalent antistatic container when not installed.

To remove a Mini-GBIC from the 1G-2MGBIC, refer back to [Figure 3-6](#) or [Figure 3-7](#) as appropriate, and proceed as follows:

1. Attach the antistatic wrist strap (refer to the instructions in the antistatic wrist strap package) before removing the Mini-GBIC.
2. Remove the cables connected to the Mini-GBIC.
3. Locate the locking tab ⑥ under the front end of the Mini-GBIC ①. Push in on the locking tab as far as it will go to release the Mini-GBIC from the 1G-2MGBIC ④.
4. Grasp the sides of the Mini-GBIC ① and pull it straight out of the 1G-2MGBIC ④.

If storing or shipping the Mini-GBIC, insert the dust protector into the Mini-GBIC to protect the fiber ports.

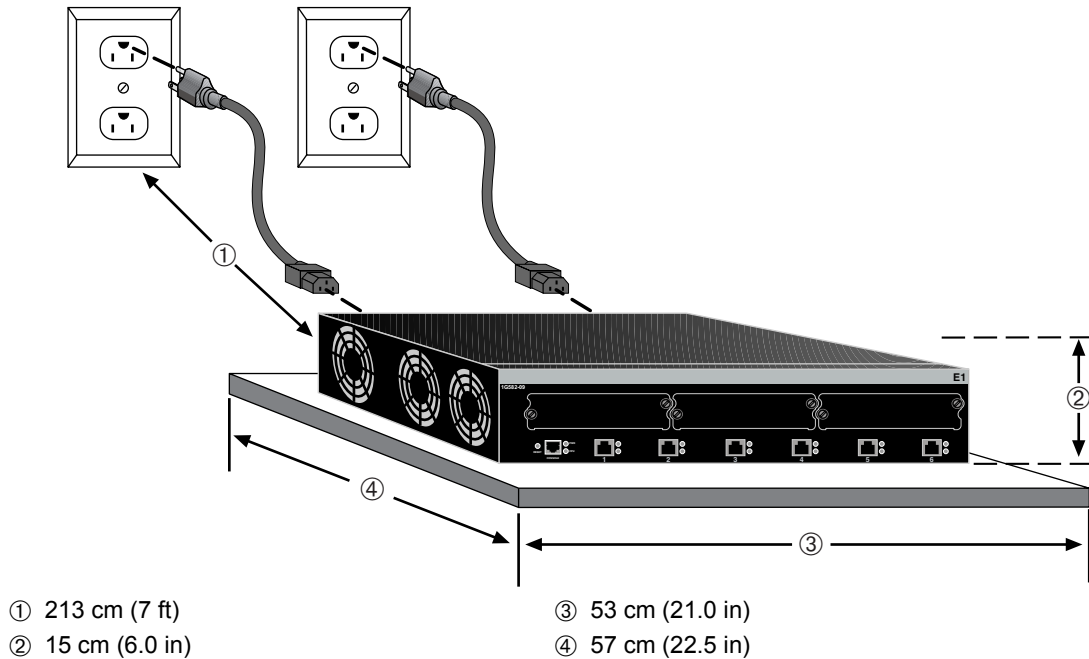
3.7 INSTALLING THE DEVICE

For a tabletop or shelf installation, locate the device within seven feet of its power source and on an unrestricted free surface area as shown in [Figure 3-8](#). Proceed to [Section 3.7.4](#) for power connection instructions.



CAUTION: To ensure proper ventilation and prevent overheating, leave a minimum clearance space of 5.1 cm (2.0 in) at the left, right, and rear of the device.

Figure 3-8 Clearance Required for Tabletop or Shelf Installation



3.7.1 Rackmount Installation

To install the device in a 19-inch rack, you need the following items shipped with the device.

- A strain-relief bracket, four M4 x 6 mm pan-head screws, and tie wraps
- Two rackmount brackets and mounting screws

Also needed are four user-supplied screws to attach the device to a standard 19-inch rack.

3.7.1.1 Guidelines for Rackmount Installation

The installation site must be within reach of the network cabling and meet the requirements listed below:

- Appropriate grounded power receptacles must be located within seven feet of the location.
- A temperature of between 5°C (41°F) and 40°C (104°F) must be maintained at the installation site with fluctuations of less than 10°C (18°F) per hour.



CAUTION: To ensure proper ventilation and prevent overheating, leave a minimum clearance space of 5.1 cm (2.0 in) at the left, right, and rear of the device.



WARNING: Before installing the chassis into a rack, ensure that the rack can support the device(s) without compromising the stability of the rack. Otherwise, personal injury and/or equipment damage may result.

ADVERTENCIA: Antes de instalar el chassis en un rack, asegurarse que el rack puede soportar el(los) dispositivo(s) sin comprometer la estabilidad del mismo. De otra forma puede suceder algun tipo de daño personal o del equipo.

WARNHINWEIS: Schützen Sie sich vor Verletzungen und Geräteschaden, überzeugen Sie sich vor der Installation des Chassis in das Rack, von dessen Stabilität.

3.7.1.2 Installation

Rack mounting the device involves the following:

- Attaching the strain-relief bracket
- Rack mounting the device (attaching the mounting brackets and fastening the device to the rack)

3.7.2 Attaching the Strain-Relief Bracket

To attach the strain-relief bracket to the device, refer to [Figure 3-9](#) and proceed as follows:

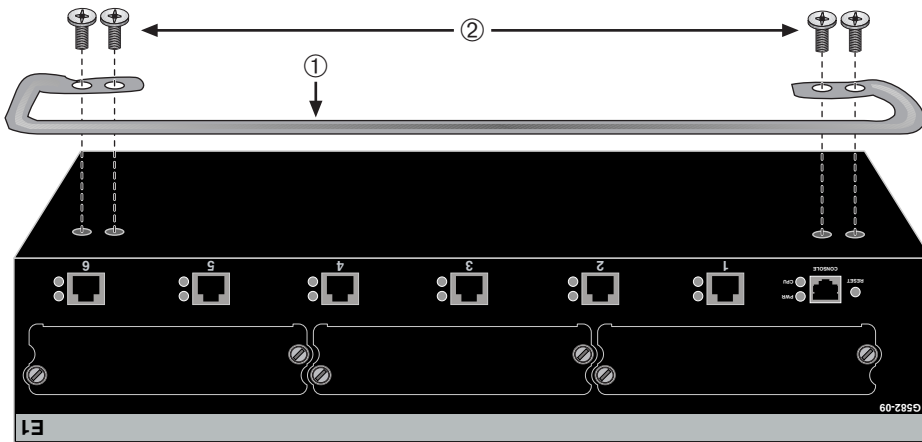
1. Locate the strain-relief bracket ① and four M4 x 6 mm pan-head screws ② shipped with the device.



CAUTION: Do not attempt to attach the strain-relief bracket with screws other than the M4 x 6 mm screws included with the device. Use of longer screws may damage the unit.

2. Place the device upside down (as shown in [Figure 3-9](#)) on a clean flat surface. Then attach the strain-relief bracket ① to the bottom of the device using the four M4 x 6 mm pan-head screws ②.

Figure 3-9 Attaching the Strain-Relief Bracket



① Strain-relief bracket

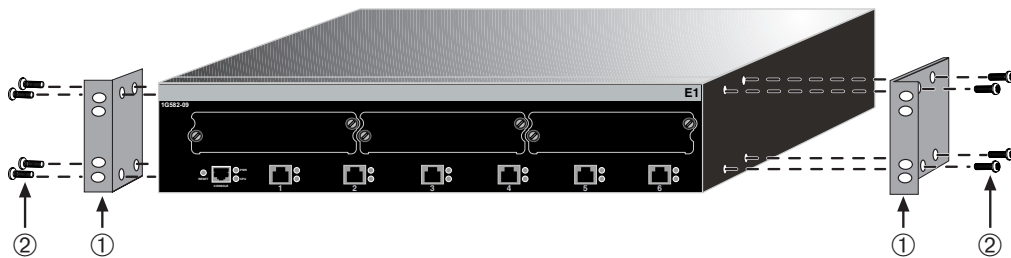
② M4 x 6 mm pan-head screws

3.7.3 Rack Mounting the Device

Proceed as follows to install the device into a 19-inch rack:

1. Attach the rackmount brackets ① to the device, as shown in [Figure 3-10](#), using the eight M4 x 6 mm flathead screws ② shipped with the device.

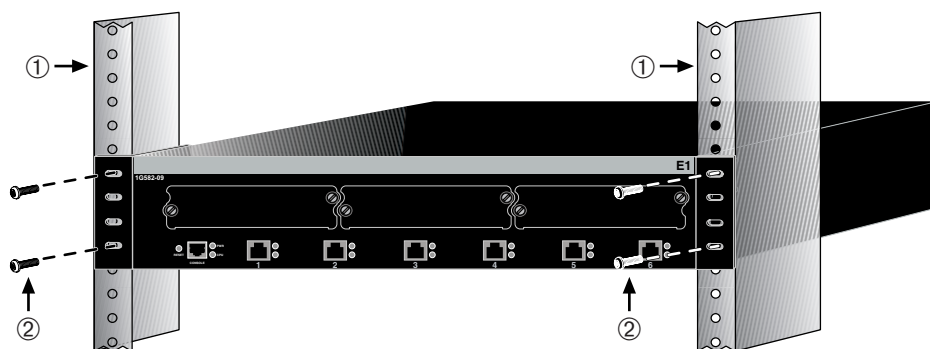
Figure 3-10 Attaching the Rackmount Brackets



① Rackmount brackets

② M4 x 6 mm flathead screws

2. With the mounting brackets attached, position the device between the vertical frame members ① of the 19-inch rack as shown in [Figure 3-11](#). Then fasten the device securely to the frame using four mounting screws ② (user supplied).

Figure 3-11 Fastening the Device to the Rack


① Rails of 19-inch rack

② Mounting screws (supplied by user)

3.7.4 Connecting Power



NOTE: The two power supplies in the device have automatic voltage sensing that allows connection to power sources ranging from 100–125 Vac, 2.5 A or 200–240 Vac, 1.25 A, 50/60 Hz.

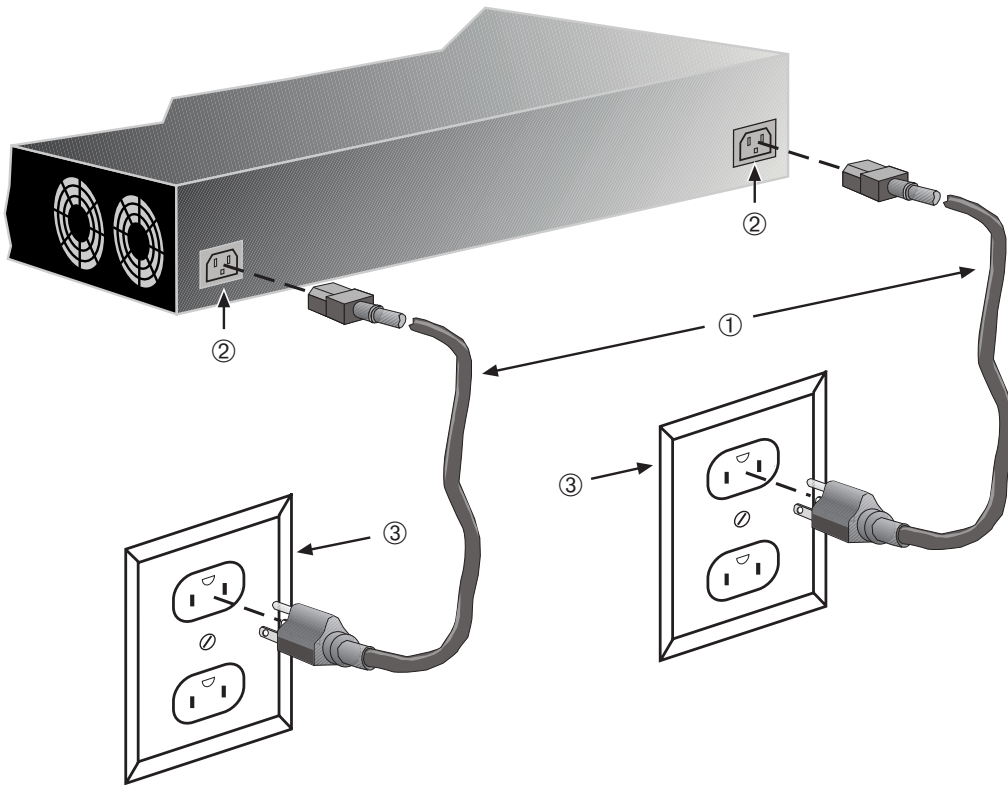
To connect the device to the power sources, refer to [Figure 3-12](#) and proceed as follows:

1. Plug a power cord ① into each switch ac power receptacle ②. To take advantage of redundancy capabilities, each power cord must be plugged into a separate dedicated ac outlet ③.
2. Plug the other end of each power cord ① into a dedicated grounded ac outlet ③ as shown in [Figure 3-12](#).



NOTE: To take advantage of the load sharing and redundancy capabilities, each power cord must be plugged into a separate dedicated ac outlet.

Figure 3-12 Device, Rear View



- ① AC power cords
- ② AC power receptacles

- ③ AC power outlets. Each outlet is on a separate circuit.

3. Observe the LANVIEW LEDs. The Power (PWR) LED (not shown), located on the front panel, turns ON (green) and the CPU turns red until the device completes its initialization. It takes under 30 seconds for the device to boot up.



NOTE: If the power-up sequence is interrupted on this device, or if optional hardware has been installed or removed, this device may run an extended diagnostics sequence that may take up to two minutes to complete.

If the initialization process is successful, the CPU LED turns green. If the CPU LED does not turn green, refer to [Chapter 4](#) for troubleshooting information.

3.8 CONNECTING TO THE NETWORK

The following procedures cover the cable connections from the network or other devices to the 1G58x-09 or any installed optional GBIC.

- Connecting UTP Cables ([Section 3.8.1](#))
- Connecting Fiber-Optic Cables to GBICs ([Section 3.8.2](#))

3.8.1 Connecting UTP Cables

The fixed front panel ports of the 1G582-09 are 10/100/1000 RJ45 ports and have internal crossovers. When connecting a workstation to these ports, use a straight-through cable. When connecting networking devices to these ports, such as a bridge, repeater, or router, use a crossover cable.

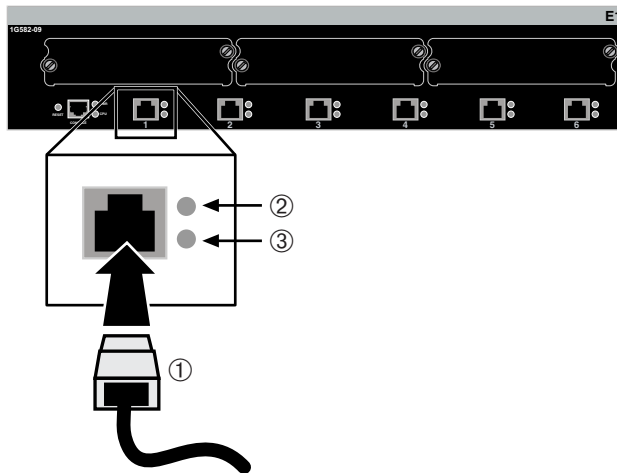


NOTE: All RJ45 front panel ports on the 1G582-09 support Category 5 Unshielded Twisted Pair (UTP) cabling with an impedance between 85 and 111 ohms. Category 3 cable may be used if the connection is going to be used only for 10 Mbps.

To connect a twisted pair segment to the 1G582-09, refer to [Figure 3-13](#) and proceed as follows:

1. Ensure that the device connected to the other end of the segment is powered ON.
2. Connect the twisted pair segment to the 1G582-09 by inserting the RJ45 connector ① on the twisted pair segment into the desired RJ45 port.

Figure 3-13 Connecting a Twisted Pair Segment to the 1G582-09

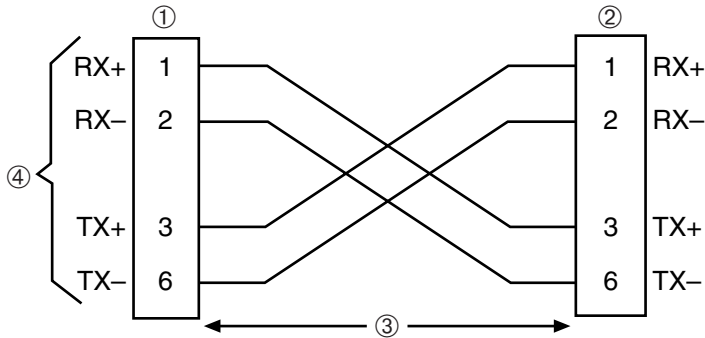


- ① RJ45 connector
- ② Link LED
- ③ Receive/Transmit (RX/TX) LED

3. Verify that a link exists by checking that the **Link LED** ② is ON (solid green). If the **Link LED** is OFF, and the **RX/TX LED** ③ is not blinking amber, perform the following steps until it is on:
 - a. Verify that the cabling being used is Category 5 or better with an impedance between 85 and 111 ohms with a maximum length of 100 m (328 ft.).
 - b. Verify that the device at the other end of the twisted pair segment is on and properly connected to the segment.
 - c. Verify that the RJ45 connectors on the twisted pair segment have the proper pinouts and check the cable for continuity. Typically, a crossover cable is used between hub devices. A straight-through cable is used to connect between switches or hub devices and an end user (computer). Refer to [Figure 3-14](#) and [Figure 3-15](#) for four-wire RJ45 connections. Refer to [Figure 3-16](#) and [Figure 3-17](#) for eight-wire RJ45 connections.
 - d. Ensure that the twisted pair connection meets the dB loss and cable specifications outlined in the *Cabling Guide*. Refer to “[Related Documents](#)” in **About This Guide** for information on obtaining this document.
4. If a link is not established, contact Enterasys Networks. Refer to “[Getting Help](#)” in [Section 1.4](#) for details.

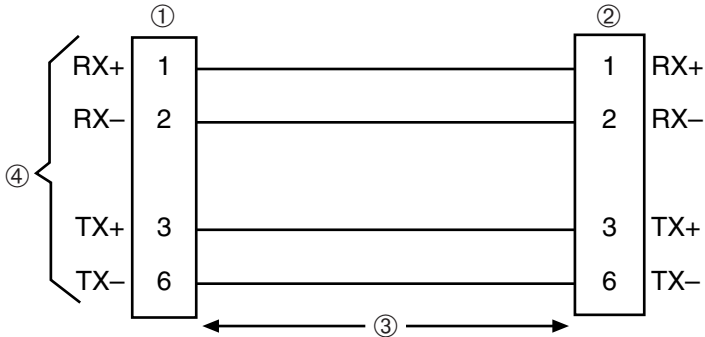
Repeat all the steps above until all connections have been made.

Figure 3-14 Four-Wire Crossover Cable RJ45 Pinouts for 10/100BASE-TX



- ① RJ45 device port
- ② Other device port
- ③ RJ45-to-RJ45 crossover cable
- ④ RX+/RX- and TX+/TX- connections.
These connections must share a common color pair.

Figure 3-15 Four-Wire Straight-Through Cable RJ45 Pinouts for 10/100BASE-TX



- ① RJ45 device port
- ② Other device port
- ③ RJ45-to-RJ45 straight-through cable
- ④ RX+/RX- and TX+/TX- connections.
These connections must share a common color pair.

Figure 3-16 Eight-Wire Crossover Cable RJ45 Pinouts for 10BASE-T/100BASE-TX/1000BASE-T

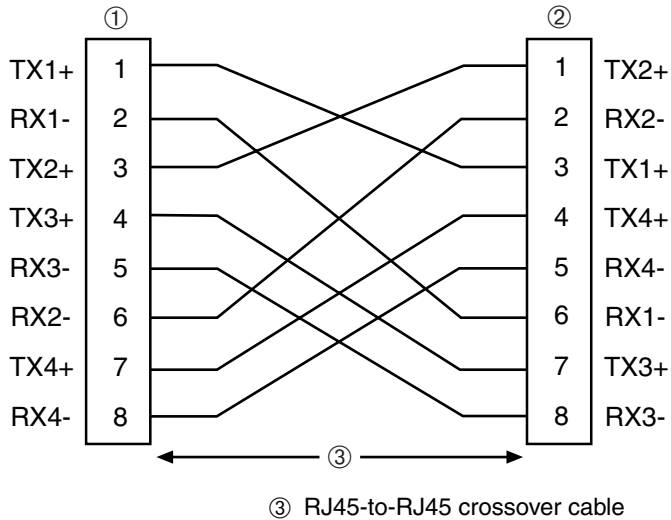
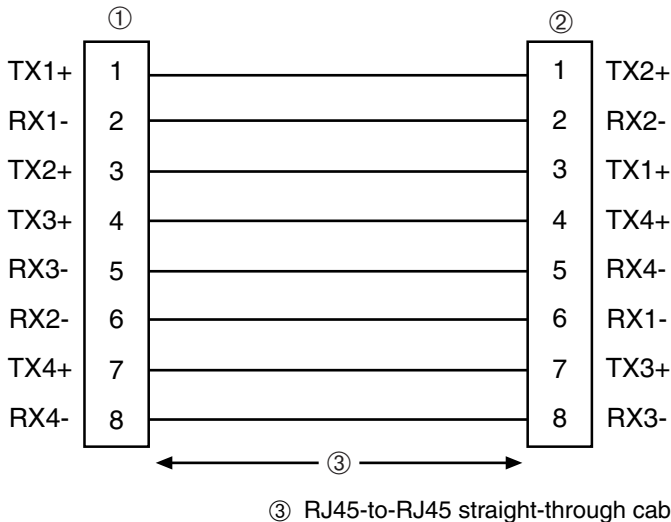


Figure 3-17 Eight-Wire Straight-Through Cable RJ45 Pinouts for 10BASE-T/100BASE-TX/1000BASE-T



3.8.2 Connecting Fiber-Optic Cables to GBICs

The Enterasys Networks GBICs (Models GPIM-01, GPIM-08, and GPIM-09) have SC style connectors to connect cables from the Gigabit Ethernet network. Enterasys Networks offers fiber-optic cables that use SC style connectors, which are keyed to ensure proper crossover of the transmit and receive fibers.



NOTE: An odd number of crossovers (preferably one) must be maintained between like devices so that the transmit port of one device is connected to the receive port of the other device and vice versa.

Different size and wavelength fiber-optic cable is used for different applications. The GPIM-08 and the GPIM-09 typically have a blue connector to indicate the long wavelength transceiver. The GPIM-01 connector is typically black or beige, to indicate the short wavelength applications. Before connecting a GBIC to the network, check the fiber specifications in [Appendix A](#) for each GBIC.

Since the fixed front panel ports, and the GPIM-01, GPIM-08, and GPIM-09 all have the SC fiber-optic connector, the directions for connectivity are the same, except for when the GPIM-09 is connected to multimode fiber. Refer to [Section 3.8.3](#) before connecting the GPIM-09 to multimode fiber-optic cable.

3.8.3 GPIM-09 Connection Using Multimode Cable

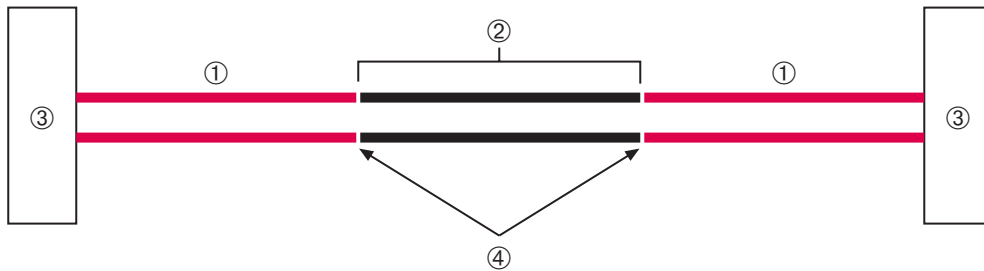


NOTE: When using multimode fiber-optic cable for the GPIM-09 (long wavelength transceiver), connect the Launch Mode Conditioning cable as detailed in the following procedure. The following procedure is not needed when connecting single mode fiber-optic cable to the GPIM-09. Launch Mode Conditioning cables are available from Enterasys Networks.

To connect the GPIM-09 to the network using multimode fiber-optic cables, refer to [Figure 3-18](#) and proceed as follows:

1. Connect a Launch Mode Conditioning cable ① to each end of the multimode fiber-optic cables ② before connecting the Long Wavelength Gigabit fiber-optic device ③ (e.g., 1G-2GBIC with a GPIM-09) to the multimode fiber-optic cabling.

Figure 3-18 GPIM-09 Launch Mode Conditioning Cable Connection



- ① Launch mode conditioning cables
- ② Multimode fiber-optic cables
- ③ Long wavelength gigabit fiber-optic device
- ④ Ends of the multimode fiber-optic cables and launch mode conditioning cables connections

2. Once the Launch Mode Conditioning cable ① is connected to the ends of the multimode fiber-optic cable ④, proceed to [Section 3.8.4](#) to complete the installation to the GPIM-09 device.

3.8.4 Network Connection Using Fiber-Optic Cable

To connect the device using fiber-optic cable to the network, perform the following steps:



NOTE: If connecting the device with a GPIM-09 to the network using multimode fiber-optic cables, refer to [Section 3.8.3](#) before following this procedure.

1. Remove any protective covers from the fiber-optic ports and from the ends of the connectors.



WARNING: The GPIM-08 and GPIM-09 use Class 1 lasers. Do not use optical instruments to view the laser output. The use of optical instruments to view laser output increases eye hazard. When viewing the output optical port, power must be removed from the network adapter.



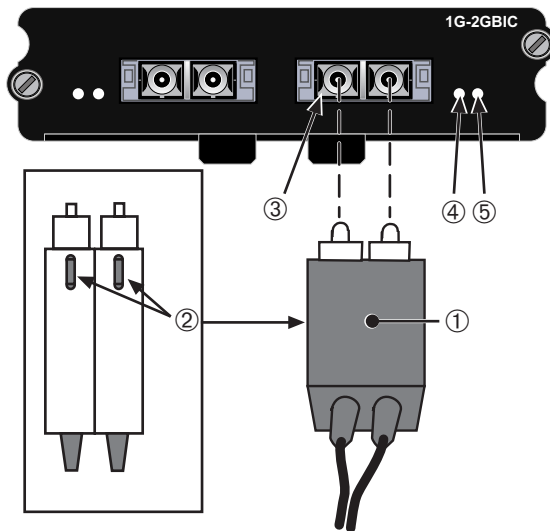
NOTE: To prevent contamination, leave the protective covers in place when the connectors or ports are not in use.

Do not touch the ends of the fiber-optic strands, and do not let the ends come in contact with dust, dirt, or other contaminants. Contamination of the ends causes problems in data transmission.

If the ends become contaminated, blow the surfaces clean with a canned duster. A fiber port cleaning swab saturated with optical-grade isopropyl alcohol may also be used to clean the ends.

2. Refer to [Figure 3-19](#) and insert one end of the SC cable connector ①, key side down ②, into the GPIM-01, GPIM-08, or GPIM-09 ③. Ensure that the appropriate cable is used for the application of the GBIC. Refer to [Appendix A](#) for the appropriate GBIC and fiber-optic cable to be used in the installation.

Figure 3-19 Fiber-optic GBIC Connections



- | | |
|---------------------------------------|--------------------------------|
| ① SC cable connector | ④ Link LED |
| ② Latch keys (bottom of SC connector) | ⑤ Receive/Transmit (RX/TX) LED |
| ③ GPIM-01, GPIM-08, or GPIM-09 | |

3. At the other end of the fiber-optic cable, attach the SC connector to the other device. Verify that a link exists by checking that the **Link LED** ④ is ON (solid green). Refer to [Chapter 4](#) for details on the LEDs. If the **Link LED** is OFF and the **RX/TX LED** ⑤ is not blinking amber, perform the following steps until it is ON:
 - a. Check that the device at the other end of the link has power turned on and is Gigabit Ethernet compatible.
 - b. Verify proper crossover of fiber strands between the port on the device and the fiber-optic device at the other end of the fiber-optic link segment.
 - c. Verify that the fiber-optic cable meets the specifications outlined in [Appendix A](#) for the installed GBIC.

To remove the SC connector from the GBIC, carefully pull the connector out of the port. It may need to be moved gently from side to side to release the latching keys.

If a link has not been established, refer to [Chapter 4](#) for LED troubleshooting details. Refer to “Getting Help” in [Section 1.4](#) for details on contacting Enterasys Networks if a problem persists.

3.8.5 Connecting Fiber-Optic Cables to MT-RJ Ports

This section provides the procedures for connecting a multimode fiber-optic segment from the network or other devices to

- an MT-RJ port connector of a Mini-GBIC (MGBIC-MT01, MGBIC-LC01, or MGBIC-LC09) in a 1G-2MGBIC, or
- a fixed MT-RJ connector of an optional 1H-8FX.

Each fiber-optic link consists of two fiber-optic strands within the cable:

- Transmit (TX)
- Receive (RX)

The transmit strand from a device port connects to the receive port of a fiber-optic Fast Ethernet device at the other end of the segment. The receive strand of the applicable MT-RJ port connects to the transmit port of the fiber-optic Fast Ethernet device.

Enterasys Networks recommends labeling fiber-optic cables to indicate receive and transmit ends. Many cables are pre-labeled, providing matching labels or tapes at both ends of each strand of cable.

To connect an MT-RJ cable to a fixed MT-RJ connector of an optional 1H-8FX or Mini-GBIC, refer to [Figure 3-20](#) and proceed as follows:

1. Remove the protective covers (not shown) from the front panel MT-RJ fiber-optic port ① and from the connectors on each end of the cable.



NOTE: Leave the protective covers in place when the connectors are not in use to prevent contamination.



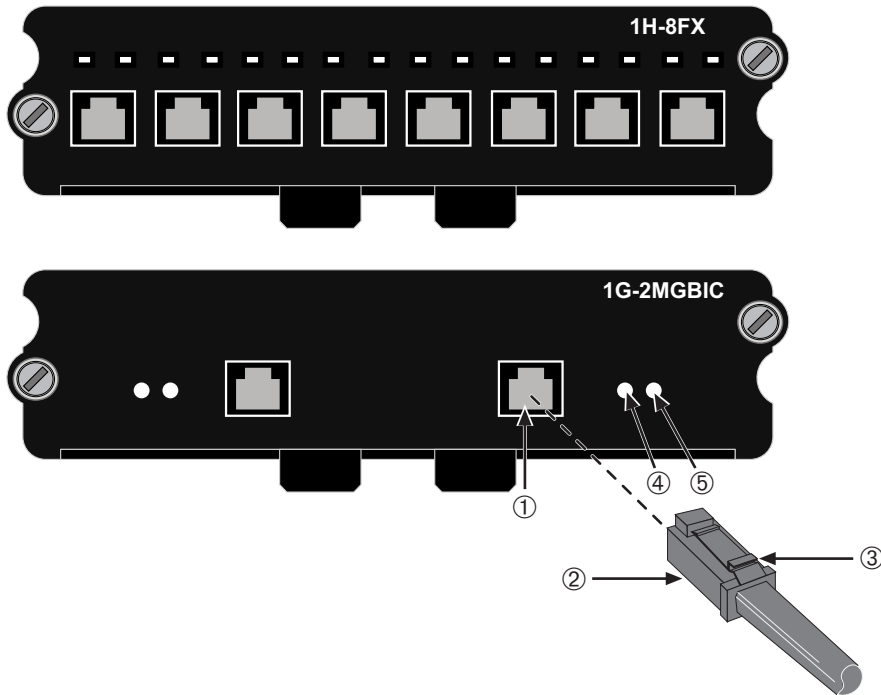
CAUTION: Do not touch the ends of the fiber-optic strands, and do not let the ends come in contact with dust, dirt, or other contaminants. Contamination of cable ends causes problems in data transmissions. If the ends of the fiber-optic strands become contaminated, use a canned duster to blow the surfaces clean. A fiber port cleaning swab saturated with optical-grade isopropyl alcohol may also be used to clean the ends.

2. Insert the MT-RJ cable connector ② into the MT-RJ connector ① until it clicks into place.



NOTE: To remove the MT-RJ cable connector ②, press on its release tab ③ and pull it out of the MT-RJ connector.

Figure 3-20 Cable Connection to MT-RJ Multimode Fiber-Optic Connectors



- | | |
|-------------------------|---------------------|
| ① MT-RJ port connector | ④ Receive LED (RX) |
| ② MT-RJ cable connector | ⑤ Transmit LED (TX) |
| ③ Release tab | |

3. Plug the other end of the cable into the appropriate port on the other device. Some cables may be terminated at the other end with two separate connectors, one for each fiber-optic strand. In this case, ensure that the transmit fiber-optic strand is connected to the receive port and the receive fiber-optic strand to the transmit port.
4. Verify that a link exists by checking that the port **RX** LED is on (flashing amber, blinking green, or solid green). If the **RX** LED is off, perform the following steps until it is on:

- a. Verify that the device at the other end of the segment is ON and connected to the segment.
- b. If there are separate fiber-optic connections on the other device, check the crossover of the cables. Swap the cable connections if necessary.
- c. Check that the fiber-optic connection meets the dB loss and cable specifications outlined in the *Cabling Guide* for multimode mode cabling. To obtain this document, refer to “[Related Documents](#)” in **About This Guide**.

If a link has not been established, refer to [Chapter 4](#) for LED troubleshooting details. If a problem persists, refer to “[Getting Help](#)” in [Section 1.4](#) for details on contacting Enterasys Networks for support.

5. Repeat steps 1 through 3, above, until all connections have been made.

3.9 CONNECTING TO CONSOLE PORT FOR LOCAL MANAGEMENT

This section describes how to install a UTP cable with RJ45 connectors and optional adapters to connect a PC, a VT series terminal, or a modem to an Enterasys Networks module to access CLI commands. This section also provides the pinout assignments of the adapters.

3.9.1 What Is Needed

The following is a list of user-supplied parts that may be needed depending on the connection:

- RJ45-to-DB9 female adapter
- UTP straight-through cable with RJ45 connectors
- RJ45-to-DB25 female adapter (PN 9372110)
- RJ45-to-DB25 male adapter (PN 9372112)

With a UTP cable with RJ45 connectors and an RJ45-to-DB9 adapter, you can connect products equipped with an RJ45 Console port to an IBM or compatible PC running a VT series emulation software package.

With a UTP cable and an optional RJ45-to-DB25 female adapter (PN 9372110), you can connect products equipped with an RJ45 Console port to a VT series terminal or VT type terminals running emulation programs for the VT series.

With a UTP cable and an optional RJ45-to-DB25 male adapter (PN 9372112), you can connect products equipped with an RJ45 Console port to a Hayes compatible modem that supports 9600 baud.

3.9.2 Connecting to an IBM or Compatible Device

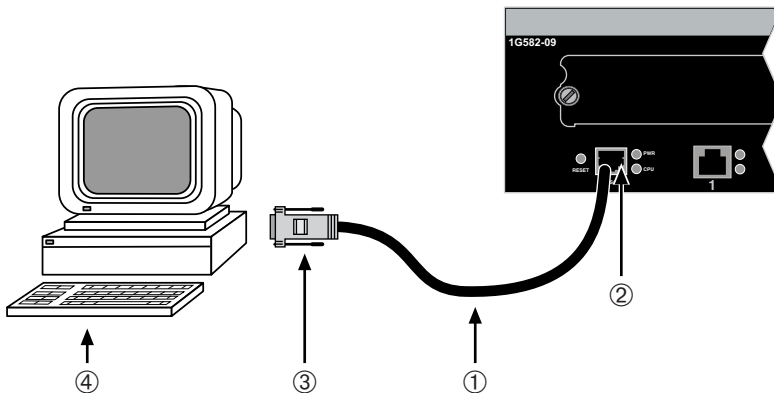
To connect an IBM PC or compatible device, running the VT terminal emulation, to an Enterasys Networks module Console port (Figure 3-21), proceed as follows:

1. Connect the RJ45 connector at one end of the cable ① to the Console port ② on the Enterasys Networks module.
2. Plug the RJ45 connector at the other end of the cable ① into the RJ45-to-DB9 adapter ③.
3. Connect an RJ45-to-DB9 adapter to the communications port on the PC ④.
4. Turn on the PC and configure your VT emulation package with the following parameters:

Parameter	Setting
Mode	7 Bit Control
Transmit	Transmit=9600
Bits Parity	8 Bits, No Parity
Stop Bit	1 Stop Bit

When these parameters are set, the Startup screen will display. Proceed to [Section 3.10](#) to complete the installation.

Figure 3-21 Connecting an IBM PC or Compatible



- ① UTP straight-through cable with RJ45 connectors ③ RJ45-to-DB9 PC adapter
 ② RJ45 console port ④ PC

3.9.3 Connecting to a VT Series Terminal

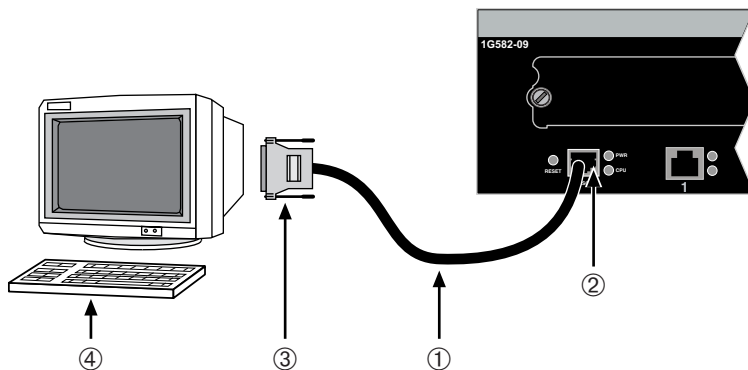
To connect a VT Series terminal to an Enterasys Networks device Console port (Figure 3-22), use a UTP cable with RJ45 connectors and an **optional** RJ45-to-DB25 female adapter (PN 9372110), and proceed as follows:

1. Connect the RJ45 connector at one end of the cable ① to the Console port ② on the Enterasys Networks device.
2. Plug the RJ45 connector at the other end of the cable ① into the RJ45-to-DB25 female adapter ③.
3. Connect the RJ45-to-DB25 adapter ③ to the port labeled COMM on the PC ④.
4. Turn on the terminal and access the Setup Directory. Set the following parameters on your terminal:

Parameter	Setting
Mode	7 Bit Control
Transmit	Transmit=9600
Bits Parity	8 Bits, No Parity
Stop Bit	1 Stop Bit

When these parameters are set, the screen will display. Proceed to [Section 3.10](#) to complete the installation.

Figure 3-22 Connecting a VT Series Terminal



- ① UTP straight-through cable with RJ45 connectors ③ RJ45-to-DB25 VT adapter
② RJ45 console port ④ PC
-

3.9.4 Connecting to a Modem

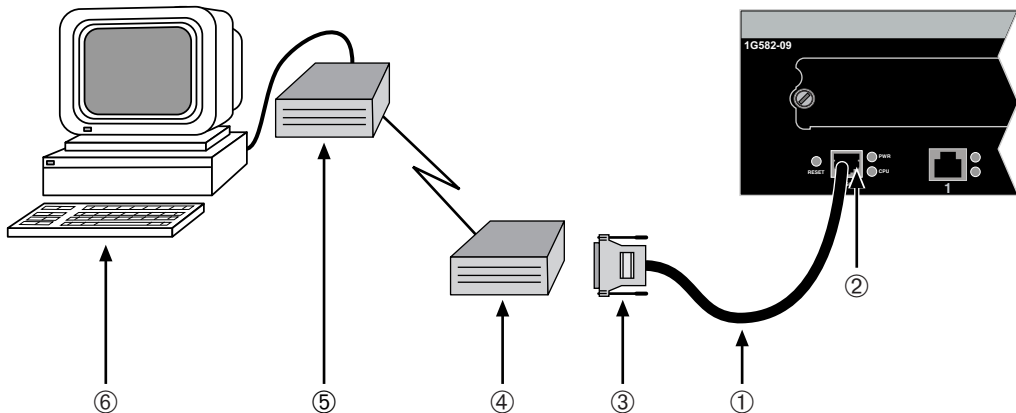
To connect a modem to an Enterasys Networks device modem port (Figure 3-23), use a UTP cable with RJ45 connectors and an **optional** RJ45-to-DB25 male adapter (PN 9372112), and proceed as follows:

1. Connect the RJ45 connector at one end of the cable ① to the RJ45 console port ② on the Enterasys Networks device.
2. Plug the RJ45 connector at the other end of the cable ① into the RJ45-to-DB25 male adapter ③.
3. Connect the RJ45-to-DB25 adapter ③ to the communications port of the modem ④.
4. At the remote site, ensure that the PC ⑥ is connected to the modem ⑤.
5. Turn on the modem and configure your VT emulation package with the following parameters:

Parameter	Setting
Mode	7 Bit Control
Transmit	Transmit=9600
Bits Parity	8 Bits, No Parity
Stop Bit	1 Stop Bit

When these parameters are set, the startup screen will display. Proceed to [Section 3.10](#) to complete the installation.

Figure 3-23 Connecting to a Modem

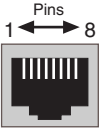
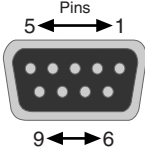


- ① UTP straight-through cable with RJ45 connectors
 ② RJ45 console port

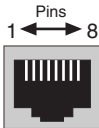
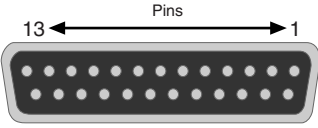
- ③ RJ45-to-DB25 modem adapter
 ④ Local modem
 ⑤ Remote Modem
 ⑥ PC

3.9.5 Adapter Wiring and Signal Assignments

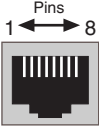
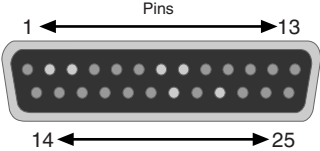
Console Port Adapter Wiring and Signal Diagram			
RJ45		DB9	
Pin	Conductor	Pin	Signal
1	Blue	2	Receive (RX)
4	Red	3	Transmit (TX)
5	Green	5	Ground (GRD)
2	Orange	7	Request to Send (RTS)
6	Yellow	8	Clear to Send (CTS)

 <p>RJ45 Connector (Female)</p>	 <p>DB9 Connector (Female)</p>
--	---

VT Series Port Adapter Wiring and Signal Diagram			
RJ45		DB25	
Pin	Conductor	Pin	Signal
4	Red	2	Transmit (TX)
1	Blue	3	Receive (RX)
6	Yellow	5	Clear to Send (CTS)
5	Green	7	Ground (GRD)
2	Orange	20	Data Terminal Ready

 <p>RJ45 Connector (Female)</p>	 <p>DB25 Connector (Female)</p>
--	--

Modem Port Adapter Wiring and Signal Diagram			
RJ45		DB25	
Pin	Conductor	Pin	Signal
1	Blue	2	Transmit (TX)
2	Orange	8	Data Carrier Detect (DCD)
4	Red	3	Receive
5	Green	7	Ground (GRD)
6	Yellow	20	Data Terminal Ready (DTR)
8	Gray	22	Ring Indicator

 <p>RJ45 Connector (Female)</p>	 <p>DB25 Connector (Male)</p>
--	---

3.10 COMPLETING THE INSTALLATION

After installing the 1G58x-09 and making the connections to the network, secure the cables by running the cables along the strain-relief bracket and tying them to the strain-relief bracket using cable ties.

Initial Logon to Device Management

You can now logon to the 1G58x-09 via the Console port and configure it using the command line interface (CLI). To initially access device management from your local pc, terminal, or modem connection, proceed as follows:

1. Enter **rw** (Read-Write) for Username.
2. At the Password prompt, press ENTER (RETURN).

For details on how to configure the 1G582-09 using the command line interface, refer to the *Matrix E1 Series (1G58x-09 and 1H582-xx) Configuration Guide*. The CLI commands enable you to initially set up and perform more involved switch management configurations.

After the initial configuration, you can also use WebView (Enterasys Networks' embedded web server) for configuration and management tasks. Refer to the *Matrix E1 (1G582-09 and 1H582-51) WebView User's Guide* for details.

The guides are available online at:

<http://www.enterasys.com/support/manuals>

If you require assistance, contact Enterasys Networks using one of the methods described in “Getting Help” in Section 1.4.

Troubleshooting

This chapter provides information concerning the following:

- Using LANVIEW (Section 4.1)
- Troubleshooting checklist (Section 4.2)
- Using the Reset switch (Section 4.3)

4.1 USING LANVIEW

The 1G58x-09 uses the Enterasys Networks built-in visual diagnostic and status monitoring system called LANVIEW. The LANVIEW LEDs (Figure 4-1) allow you to quickly observe network status for diagnosing network problems.

Figure 4-1 LANVIEW LEDs

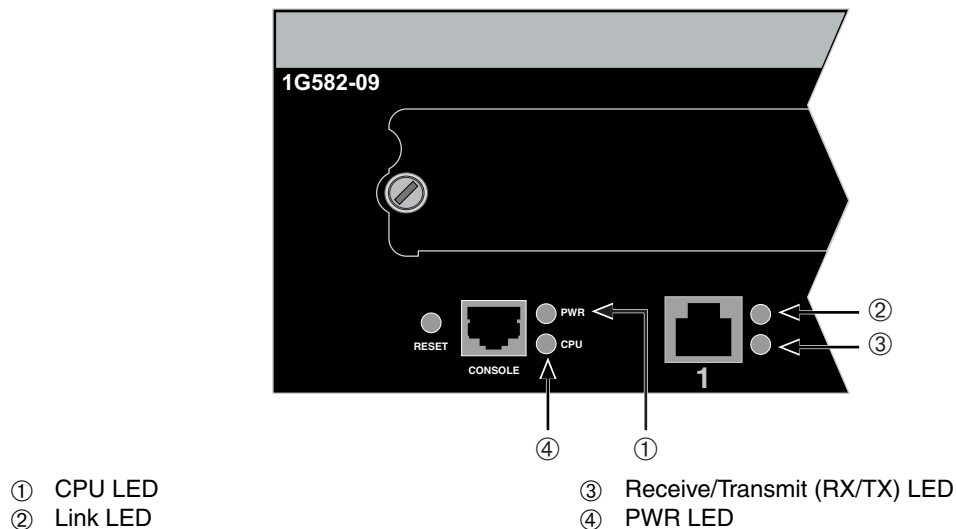


Table 4-1 describes the LED indications and provides recommended actions as appropriate.



NOTE: The terms **flashing**, **blinking**, and **solid** used in Table 4-1 indicate the following:

Flashing: LED is flashing randomly.

Blinking: LED is flashing at a steady rate (approximately 50% on, 50% off).

Solid: LED is on steady and not pulsing.

Table 4-1 LANVIEW LEDs

LED	Color	State	Recommended Action
CPU	Red	Solid. System is not fully functional, or the system is experiencing a fatal error.	If the LED remains red for several minutes, the system may have a fatal error. Contact Enterasys Networks for technical support.
	Amber	Solid. Power-up testing in progress.	If the LED remains amber for more than several minutes, contact Enterasys Networks for technical support.
	Green	Solid. System is fully functional.	None.
	Amber and Green	Blinking. Device is booting.	None.
PWR	Off	No power.	Ensure chassis has adequate power.
	Amber	Solid. Power system functional.	<ol style="list-style-type: none"> 1. Ensure that the power cords are plugged in correctly and that there is power at the two power sources. 2. Contact Enterasys Networks for technical support.
	Green	Solid. Power supplies are functioning and are in the redundant mode.	None.

Table 4-1 LANVIEW LEDs (Continued)

LED	Color	State	Recommended Action
Link	Off	No link. No activity or port in standby. Port enabled or disabled.	None.
	Green	Solid. Port is linked.	None.
RX/TX (Receive/ Transmit)	Off	Port enabled, and no activity. Should flash green every two seconds indicating BPDUs being sent if STA is enabled and there is a valid link.	<ol style="list-style-type: none"> 1. Ensure that the STA is enabled and that there is a valid link. 2. Contact Enterasys Networks for technical support.
	Amber	Blinking. Port linked and there is data activity.	None.

4.2 TROUBLESHOOTING CHECKLIST

If the device is not working properly, refer to [Table 4-2](#) for a checklist of problems, possible causes, and recommended actions to resolve the problem.

Table 4-2 Troubleshooting Checklist

Problem	Possible Cause	Recommended Action
All LEDs are OFF.	Loss of power.	Ensure that the device was installed properly according to the installation instructions in Chapter 3 , and that the device chassis is powered properly.

Table 4-2 Troubleshooting Checklist (Continued)

Problem	Possible Cause	Recommended Action
No local management startup screen.	Incorrect terminal setup.	Refer to the <i>Matrix E1 Series (1G58x-09 and 1H582-xx) Configuration Guide</i> for proper setup procedures.
	Improper console cable pinouts.	Refer to Appendix A for proper Console port pinouts.
	Corrupt firmware image, or hardware fault.	If possible, attempt to download the image to the device again. Refer to Section B.3 for instructions to clear NVRAM.
Cannot navigate beyond startup screen.	Improper Community Names Table.	Refer to the <i>Matrix E1 Series (1G58x-09 and 1H582-xx) Configuration Guide</i> for the Community Names Table setup. If the Community Names have been forgotten, refer to Section B.3 for instructions on how to set the mode switch to reset the Community Names to their default values.
Cannot contact the device through in-band management.	IP address not assigned.	Refer to the <i>Matrix E1 Series (1G58x-09 and 1H582-xx) Configuration Guide</i> for the IP address assignment procedure.
	Port is disabled.	Enable port. Refer to the <i>Matrix E1 Series (1G58x-09 and 1H582-xx) Configuration Guide</i> for instructions to enable/disable ports.
	No link to device.	Verify that all network connections between the network management station and the device are valid and operating. If the problem continues, contact Enterasys Networks for technical support.

Table 4-2 Troubleshooting Checklist (Continued)

Problem	Possible Cause	Recommended Action
<p>Port(s) goes into standby for no apparent reason.</p>	<p>Loop condition detected.</p>	<p>Verify that Spanning Tree is enabled. Refer to <i>Matrix E1 Series (1G58x-09 and 1H582-xx) Configuration Guide</i> for the instructions to set the type of STA.</p> <p>Review the network design and delete unnecessary loops.</p> <p>If the problem continues, contact Enterasys Networks for technical support.</p>
<p>User parameters (IP address, device and module name, etc.) were lost when the device power was cycled or the front panel Reset switch was pressed.</p>	<p>Position of Mode switch (7), NVRAM Reset, was changed sometime before either cycling power or pressing the Reset switch, causing the user-entered parameters to reset to factory default settings.</p> <p>Clear NVRAM was set using CLI commands.</p>	<p>Reenter the lost parameters as necessary. Refer to <i>Matrix E1 Series (1G58x-09 and 1H582-xx) Configuration Guide</i> for the instructions to configure the device using CLI commands.</p> <p>If the problem continues, contact Enterasys Networks for technical support.</p>

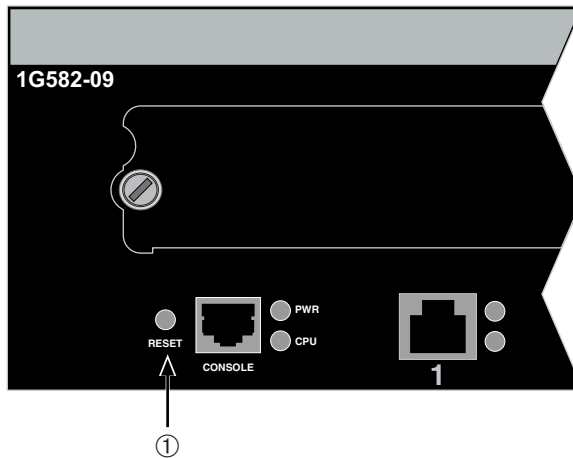
4.3 USING THE RESET SWITCH

The Reset switch shown in [Figure 4-1](#) resets and re-initializes the device, causing all user-entered parameters to reset to the factory default settings.



CAUTION: Pressing the Reset switch resets the device, and all current switching being performed by the device is halted. A network downtime of up to two minutes could result from this action for any devices connected to the device.

Figure 4-2 Reset Switch



① Reset switch

To reset the device processor, press and release the Reset switch ①. The device goes through a reset process for approximately 30 seconds. Additional downtime may result as the device reenters the network.



NOTE: Pressing the Reset switch while the device is already in reset mode is not recommended. If the Reset switch is pressed while the device is in reset mode, the device will enter an extended diagnostic procedure, which is unnecessary for normal operation. This extended diagnostic procedure takes longer than two minutes to complete.

Specifications

This appendix provides information about the following:

- 1G582-09 and 1G587-09 specifications ([Section A.1](#))
- Ethernet Expansion Module specifications ([Section A.2](#))
- Mini-GBIC specifications ([Section A.3](#))
- GPIM specifications ([Section A.4](#))
- Console port pinout assignment ([Section A.5](#))
- Regulatory compliance ([Section A.6](#))

Enterasys Networks reserves the right to change the specifications at any time without notice.

A.1 1G582-09 AND 1G587-09 SPECIFICATIONS

Table A-1 provides the I/O ports, processors and memory, physical, and environmental module specifications for the 1G582-09 and 1G587-09.

Table A-1 1G582-09 and 1G587-09 Specifications

Item	Specification
1G582-09 I/O Ports	
Ports 1 through 6	Six, Ethernet (10BASE-T/100BASE-TX/1000BASE-T) compliant ports via RJ45 front-panel connectors
Ethernet Interface Option Slots	Three slots that support the Enterasys Network Ethernet expansion modules. Refer to Section A.2 for a description of those modules supported. All option slots can be populated with the same type, or a mix, of different Ethernet expansion modules.
1G587-09 I/O Ports	
Ports 1 through 6	Six, Ethernet (1000BASE-X compliant) Mini-GBIC front-panel port slots for up to six 1000BASE-T, -SX, -LX, or -EX compliant Mini-GBICs
Ethernet Interface Option Slots	Three slots that support the Enterasys Network Ethernet expansion modules. Refer to Section A.2 for a description of those modules supported. All option slots can be populated with the same type, or a mix, of different Ethernet expansion modules.
Processors/Memory	
Processors	MPC8240 processor Power PC 8240
Dynamic Random Access Memory (DRAM)	64 MB
FLASH Memory	8 MB

Table A-1 1G582-09 and 1G587-09 Specifications (Continued)

Item	Specification
Physical	
Dimensions	8.9H x 44.45W x 44.0D (cm) 3.5H x 17.5W x 17.3D (in.)
Approximate Weight (Unit)	8.75 kg (19.23 lb)
MTBF	91,000 hours
Environmental	
Operating Temperature	5°C to 40°C (41°F to 104°F)
Storage Temperature	-30°C to 73°C (-22°F to 164°F)
Operating Relative Humidity	5% to 90% (non-condensing)

A.2 ETHERNET EXPANSION MODULE SPECIFICATIONS

At the time of this printing, five Ethernet expansion modules were available from Enterasys Networks. The following sections describe their input/output port specifications as follows:

Table A-2 Ethernet Expansion Module Input/Output Port Specifications

Item	Specification
1H-16TX	Sixteen Fast Ethernet 10/100 Mbps (10BASE-T and 100BASE-TX compliant) ports with fixed, Fast Ethernet RJ45 connectors.
1H-8FX	Eight Fast Ethernet 100 Mbps (100BASE-FX compliant) ports with MT-RJ multimode fiber optic connectors.
1G-2GBIC	Two slots that can support two, or a combination of optional GPIM-01, GPIM-08, and GPIM-09 interface modules for gigabit fiber optic SC connections. For GPIM specifications, refer to Section A.4 .
1G-2MGBIC	Two slots that can support two, or a combination of optional Mini-GBIC interface modules for gigabit fiber optic MT-RJ, LC, or RJ45 connections. For GPIM specifications, refer to Section A.4 .
1G-2TX	Two Gigabit Ethernet 10/100/1000 Mbps (10/100 in auto mode only; 1000BASE-T compliant) ports with fixed, Gigabit Ethernet RJ45 connectors.

A.2.1 Ethernet Expansion Module Physical Properties

Dimensions	2.06 H x 13.41 W x 17.75 D (cm) 0.81 H x 5.28 W x 6.99 D (in.)
Approximate Weight (Unit)	0.45 kg (1.0 lb)

A.3 MINI-GBIC INPUT/OUTPUT SPECIFICATIONS

The Mini-Gigabit Ethernet Card (Mini-GBIC) port interface slots can support 1-Gbps fiber-optic and copper connections as described in [Table A-3](#). The optional Mini-GBICs are hot swappable.

Table A-3 Mini-GBIC Input/Output Port Specifications

Item	Specification
MGBIC-LC01	Provides one LC fiber-optic multimode port that is compliant with the 1000BASE-SX standard LC connector.
MGBIC-LC03	Provides one LC fiber-optic multimode port that is compliant with the 1000BASE-SX standard LC duplex style connector.
MGBIC-LC09	Provides one LC fiber-optic single-mode port that is compliant with the 1000BASE-LX standard LC connector.
MGBIC-MT01	Provides one MT-RJ fiber-optic multi-mode port that is compliant with the 1000BASE-SX standard MT-RJ connector.
MGBIC-08	Provides one LC fiber-optic single-mode port that is compliant with the 1000BASE-ELX standard LC connector.
MGBIC-02	Provides one RJ45 copper connection that is compliant with the 1000BASE-T standard RJ45 connector.

A.3.1 Gigabit Ethernet Specifications

The following specifications for the Mini-GBICs (shown in [Table A-4](#) through [Table A-12](#)) meet or exceed the IEEE 802.3z-1998 standard.

A.3.2 MGBIC-LC01/MGBIC-MT01 Specifications (1000BASE-SX)

Table A-4 MGBIC-LC01/MGBIC-MT01 Optical Specifications

Item	62.5 μ m MMF	50 μ m MMF
Transmit Power (minimum)	-9.5 dBm	-9.5 dBm
Receive Sensitivity	-17 dBm	-17 dBm
Link Power Budget	7.5 dBm	7.5 dBm

Table A-5 MGBIC-LC01/MGBIC-MT01 Operating Range

Item	Modal Bandwidth @ 850 nm	Range
62.5 μ m MMF	160 MHz/km	2-220 Meters
62.5 μ m MMF	200 MHz/km	2-275 Meters
50 μ m MMF	400 MHz/km	2-500 Meters
50 μ m MMF	500 MHz/km	2-550 Meters

A.3.3 MGBIC-LC03 Specifications (1000BASE-SX)

Table A-6 MGBIC-LC03 Optical Specifications

Item	62.5/125 μm MMF	50/125 μm MMF
Transmit Power (minimum)	-9.5 dBm	-9.5 dBm
Transmit Power (maximum)	-3 dBm	-3 dBm
Receive Sensitivity	-20 dBm	-20 dBm
Link Power Budget ¹ (Multimode Only)	10.5 dBm	10.5 dBm

1. The maximum drive distance (up to 2 km) depends on the quality of the installed multimode fiber-optic cable segment. Use the Link Power Budget to calculate the maximum cable length of the attached segment. The Link Power Budget must not exceed those specified in this table. The MGBIC-LC03 input power must not exceed -3 dBm. Otherwise, saturation could occur.

Table A-7 MGBIC-LC03 Operating Range

Item	Modal Bandwidth @ 1310 nm	Range
62.5 μm MMF	160 MHz/km	2,000 Meters
50 μm MMF	400 MHz/km	2,000 Meters

A.3.4 MGBIC-LC09 Specifications (1000BASE-LX)

Table A-8 MGBIC-LC09 Optical Specifications

Item	62.5 μ m MMF	50 μ m MMF	10 μ m MMF
Transmit Power (minimum)	-11.5 dBm	-11.5 dBm	-9.5 dBm
Receive Sensitivity	-20 dBm	-20 dBm	-20 dBm
Link Power Budget	8.5 dBm	8.5 dBm	10.5 dBm

Table A-9 MGBIC-LC09 Operating Range

Item	Modal Bandwidth @ 1300 nm	Range
62.5 μ m MMF	500 MHz/km	2-550 Meters
50 μ m MMF	400 MHz/km	2-550 Meters
50 μ m MMF	500 MHz/km	2-550 Meters
10 μ m SMF	N/A	2-10,000 Meters

A.3.5 MGBIC-08 Specifications (1000BASE-ELX)

Table A-10 MGBIC-08 Optical Specifications

Item			
Transmit Power (minimum)	-0 dBm, min.	+2 dBm, typical	+5 dBm, max.
Receive Sensitivity	-24 dBm, min.	-26 dBm, typical	
Maximum Input Power	-3 dBm		
Link Power Budget ¹ (Full Duplex Only)	23 dB	28dB, typical	

1. The maximum drive distance (up to 70 km) depends on the quality of the installed single-mode fiber-optic cable segment. Use the Link Power Budget to calculate the maximum cable length of the attached segment. The Link Power Budget must not exceed those specified in this table. The MGBIC-08 input power must not exceed -3 dBm. Otherwise, saturation could occur.

Table A-11 MGBIC-08 Operating Range

Item	1550 nm	Range
9 or 10 μm SMF	N/A	70,000 Meters

A.3.6 MGBIC-02 Specifications (1000BASE-T)

Table A-12 MGBIC-02 Specifications

Item	Specification
Supported Cable	
Type:	Copper, Category 5 UTP
Maximum Length	Up to 100 meters
Connector	RJ45
Data Rate	1 Gbps, IEEE 802.3:2000 compatible 1000BASE-T operation only Automatic crossover detection
TX Output impedance	100 ohms, typical at all frequencies between 1 MHz and 125 MHz
RX Input impedance	100 ohms, typical at all frequencies between 1 MHz and 125 Hz

A.4 GPIM SPECIFICATIONS

The optional GPIMs (Table A-13) support Gigabit Ethernet multimode fiber-optic (MMF) or single mode fiber-optic (SMF) cable connection and, depending on the GPIM, are 1000BASE-EX, 1000BASE-SX, or 1000BASE-SX/LX compliant. The Gigabit Ethernet GPIMs meet or exceed IEEE 802.3z standards.

Table A-13 GBIC Input/Output Port Specifications

Item	Specification
GPIM-01	Provides one, 1000BASE-SX compliant SC fiber optic connection. Supports multimode fiber optic cabling.
GPIM-08	Provides one, 1000BASE-EX compliant SC fiber optic connection. Supports single-mode fiber optic cabling.
GPIM-09	Provides one, 1000BASE-SX/LX compliant SC fiber optic connection. Supports single or multimode fiber optic cabling.

A.4.1 GPIM-01 Specifications (1000BASE-SX)

Table A-14 and Table A-15 provide the optical and operating range specifications for the GPIM-01.

Table A-14 GPIM-01 Optical Specifications

Item	62.5 μ m MMF	50 μ m MMF
Transmit Power (minimum)	-9.5 dBm	-9.5 dBm
Receive Sensitivity	-17 dBm	-17 dBm
Link Power Budget	7.5 dBm	7.5 dBm

Table A-15 GPIM-01 Operating Range

Item	Modal Bandwidth @ 850 nm	Range
62.5 μ m MMF	160 MHz/km	2-220 Meters
62.5 μ m MMF	200 MHz/km	2-275 Meters
50 μ m MMF	400 MHz/km	2-500 Meters
50 μ m MMF	500 MHz/km	2-550 Meters

A.4.2 GPIM-08 Specifications (1000BASE-EX)

Table A-16 and Table A-17 provide the optical and operating range specifications for the GPIM-08.

Table A-16 GPIM-08 Optical Specifications

Item	10 μm SMF
Transmit Power (minimum)	0 dBm
Receive Sensitivity	-22 dBm
Link Power Budget	22 dB

Table A-17 GPIM-08 Operating Range

Item	Range
10 μm SMF (1550 nm Wavelength)	70 km

A.4.3 GPIM-09 Specifications (1000BASE-SX/LX)

Table A-18 and Table A-19 provide the optical and operating range specifications for the GPIM-09.

Table A-18 GPIM-09 Optical Specifications

Item	62.5 μm MMF	50 μm MMF	10 μm MMF
Transmit Power (minimum)	-11.5 dBm	-11.5 dBm	-9.5 dBm
Receive Sensitivity	-20 dBm	-20 dBm	-20 dBm
Link Power Budget	8.5 dBm	8.5 dBm	10.5 dBm

Table A-19 GPIM-09 Operating Range

Item	Modal Bandwidth @ 1300 nm	Range
62.5 μ m MMF	500 MHz/km	2-550 Meters*
50 μ m MMF	400 MHz/km	2-550 Meters*
50 μ m MMF	500 MHz/km	2-550 Meters*
10 μ m SMF	N/A	2-10,000 Meters

* To obtain the distance of 550 m for the GBIC-09 using multimode fiber, Launch Mode Conditioning cable must be used. Refer to [Section 3.8.3](#) for details.

A.4.4 GPIM Physical Properties

Dimensions	1.2 H x 3.4 W x 6.5 D (cm) 0.47 H x 1.34 W x 2.56 D (in.)
Approximate Weight (Unit)	25 g (0.88 oz)

A.5 CONSOLE PORT PINOUT ASSIGNMENTS

The Console port is a serial communications port that supports local management of the 1G58x-09. Refer to [Table A-20](#) for the Console port pin assignments.

Table A-20 Console Port Pin Assignments

Pin	Signal Name	Input/Output
1	Transmit Data (XMT)	Output
2	Data Carrier Detect (DCD)	Output
3	Data Set Ready (DSR)	Input
4	Receive Data (RCV)	Input
5	Signal Ground (GND)	NA
6	Data Terminal Ready (DTR)	Output
7	Request to Send (RTS)	Input
8	Clear to Send (CTS)	NA

A.6 REGULATORY COMPLIANCE

The 1G58x-09 and associated options meet the safety and electromagnetic compatibility (EMC) requirements listed in [Table A-21](#):

Table A-21 Compliance Standards

Compliance Standards	
Safety	UL 60950, CSA C22.2 No. 60950, 73/23/EEC, EN 60950, IEC 60950, EN 60825, 21 CFR 1040.10
Electromagnetic Compatibility (EMC)	47 CFR Parts 2 and 15, CSA C108.8, 89/336/EEC, EN 55022, EN 61000-3-2, EN 61000-3-3, EN 55024, AS/NZS CISPR 22, VCCI V-3

Optional Installations and Mode Switch Bank Settings



ELECTRICAL HAZARD: Only qualified personnel should perform installation procedures.

RIESGO ELÉCTRICO: Solamente personal calificado debe realizar procedimientos de instalacion.

ELEKTRISCHER GEFAHRENHINWEIS: Installationen sollten nur durch ausgebildetes und qualifiziertes Personal vorgenommen werden.

The top cover must be removed to gain access to the mode bank switches, and to install an optional DRAM Single In-line Memory Modules (SIMMs).

This appendix provides information about the following:

- Required tools ([Section B.1](#))
- Removing the chassis cover ([Section B.2](#))
- Locations, functions, and settings for the mode switches ([Section B.3](#))
- Replacing SIMMs ([Section B.4](#))

B.1 REQUIRED TOOLS

Use the following tools to perform the procedures provided in this appendix:

- Antistatic wrist strap
- Phillips screwdriver

B.2 REMOVING THE CHASSIS COVER

This section describes how to remove the 1G58x-09 chassis cover.



ELECTRICAL HAZARD: Do not remove the cover from the device while power is applied to the unit. hazardous voltages are present and could cause personal injury and/or damage the unit. Do not power up the device again until the cover and screws are in place.

RIESGO ELÉCTRICO: No debe de remover la tapa durante que este conetado a la corriente, una descarga electrica le puede causar y probocarle daños, al igual que al aparato. no enchufe a la corriente hasta que la tapa y los tornillos esten en su lugar.

ELEKTRISCHER GEFAHRENHINWEIS: Deckel von das device nicht abziehen unter spannung. gefahr für das personnal und/oder das gerät wegen gefährliche spannungen entsteht. Device nicheinschalten so lang der deckel und schrauben nicht eingebaut sind.



CAUTION: This unit may have more than one power supply cord. Disconnect two power supply cords before servicing to avoid electric shock.

ATTENTION: Cet appareil comporte plus d'un cordon d'alimentation. Rafin de prevenir les chocs electriques, debrancher les deux cordons d'alimentation avant de faire le depannage.

VORSICHT: Dieses gerät hat mehr als einen netzanschluß. trennen sie vor wartungsarbeiten die 2 net zanschlüsse vom netz, um elektrische schläge zu vermeiden.

To remove the chassis cover, refer to [Figure B-1](#) and proceed as follows:

1. Disconnect the 1G58x-09 from the network as follows:
 - a. Unplug both power cords from the rear of the chassis.



ELECTRICAL HAZARD: Turn off the device by unplugging the power cord from the rear of the chassis.

RIESGO ELÉCTRICO: Apague el device desenchufe el cable de la unidad.

ELEKTRISCHER GEFAHRENHINWEIS: Am hinten des device stechei abziehen um aus zu schalten.

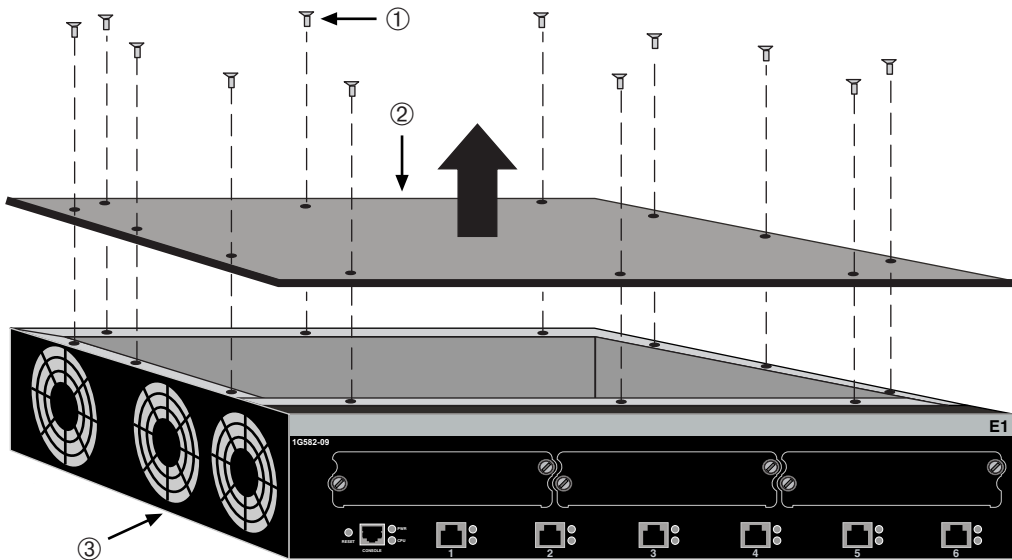


TIP: Before performing step b, mark the cables connected to the device according to their associated port numbers. This is recommended for ease of reinstallation.

- b. Disconnect all network cables attached to the 1G58x-09.

2. If the 1G58x-09 is rack mounted, remove it from the rack (refer to [Chapter 3](#)).
3. Use a Phillips screwdriver to remove the 12 screws ① attaching the top cover ② to the chassis ③ (see [Figure B-1](#)).

Figure B-1 Removing the Chassis Cover



- ① Cover screws (12) ② Top cover ③ 1G58x-09 device (1G582-09 is shown)

4. Remove the top cover ② by lifting it straight up and off the chassis ③. If you are setting the mode switches, proceed to [Section B.3](#). If you are replacing a SIMM, proceed to [Section B.4](#).

To reinstall the chassis cover, perform the removal procedures in reverse.

B.3 SETTING THE MODE SWITCHES

Figure B-2 shows the location of the mode switches and the switch settings for normal operation. These switches are set at the factory and rarely need to be changed.

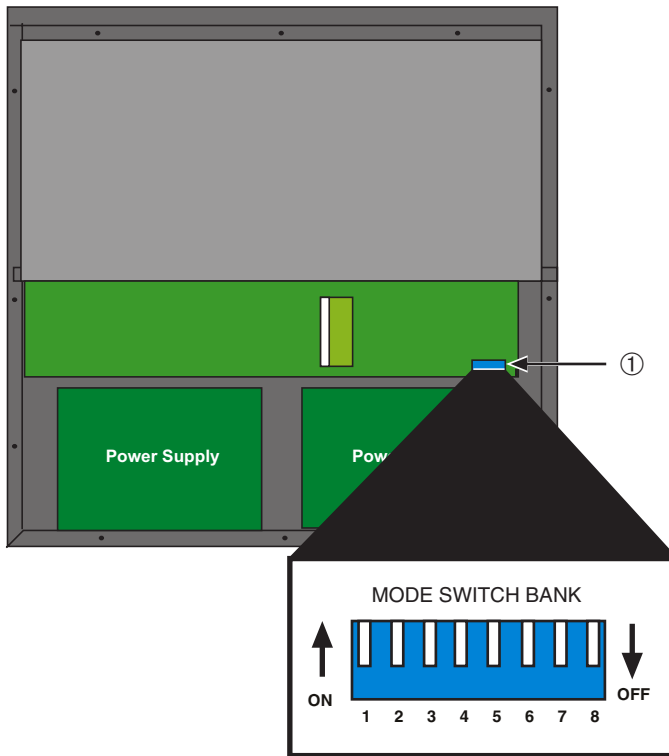
Switch definitions and positions are as follows:

- Switches 1 through 6 – Reserved for future use.
- Switch 7 – Clear NVRAM. Changing the position of this device resets NVRAM on the next power-up of the device. All user-entered parameters, such as the IP address, device names, etc., are reset to the factory default settings. Once the device resets, you can either use the factory default settings or reenter your own parameters.
- Switch 8 – Reset Password/Community Names. Changing the position of this switch clears user-entered passwords stored in NVRAM, and restores the factory default passwords on the next power-up of the device. Once the device resets, you can either use the factory default settings or reenter your own passwords.



NOTE: Do not change the position of switch 8 unless it is necessary to reset the device super-user configured passwords to their factory default settings.

Figure B-2 Mode Switch Location (Chassis, Top View)



① Mode Switch Bank

B.4 SIMM REPLACEMENT PROCEDURE

In the event that the DRAM Single In-line Memory Module (SIMM) needs to be replaced, this section explains how to access and locate the SIMM. If you have questions concerning the replacement of the SIMM, refer to [Section 1.4](#) for details on how to contact Enterasys Networks.

B.4.1 Locating SIMMs

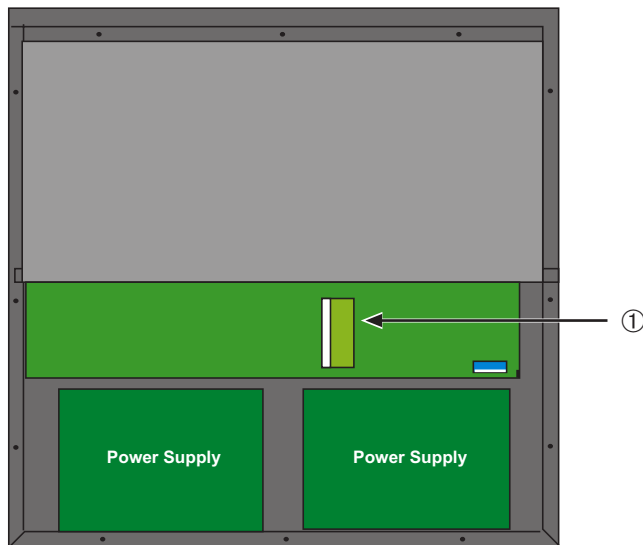
[Figure B-3](#) shows the location of the DRAM SIMM connector ①.

B.4.2 Removing the DRAM SIMM

To remove the existing DRAM SIMM, proceed as follows:

1. To gain access to the SIMM, remove the top cover of the device as described back in [Section B.2](#).
2. Locate the DRAM SIMM ① connector on the main PC board. See [Figure B-3](#).

Figure B-3 SIMM Connector Location (Chassis, Top View)

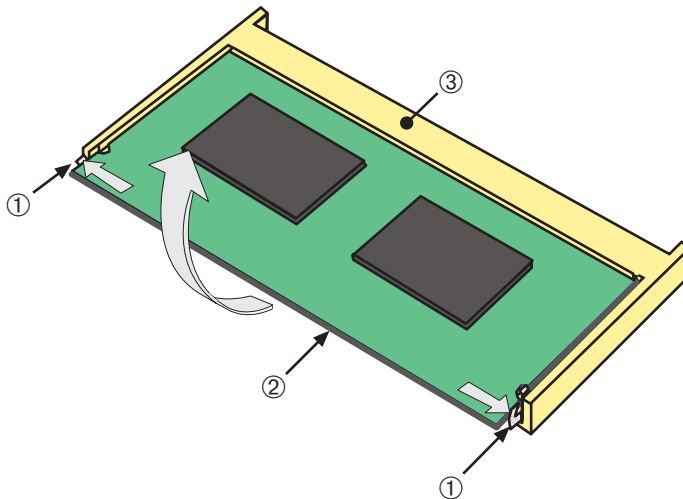


① DRAM SIMM connector

3. Push the release tabs ① away from the DRAM SIMM ②, as shown in [Figure B-4](#) and simultaneously lift the DRAM SIMM enough to release it from the connector ③.

4. Rotate the DRAM SIMM ② upwards as shown in [Figure B-4](#) and remove it from the connector ③.

Figure B-4 Removing the Existing DRAM SIMM



① Release tabs

② DRAM SIMM

③ Connector

B.4.3 Installing the DRAM SIMM

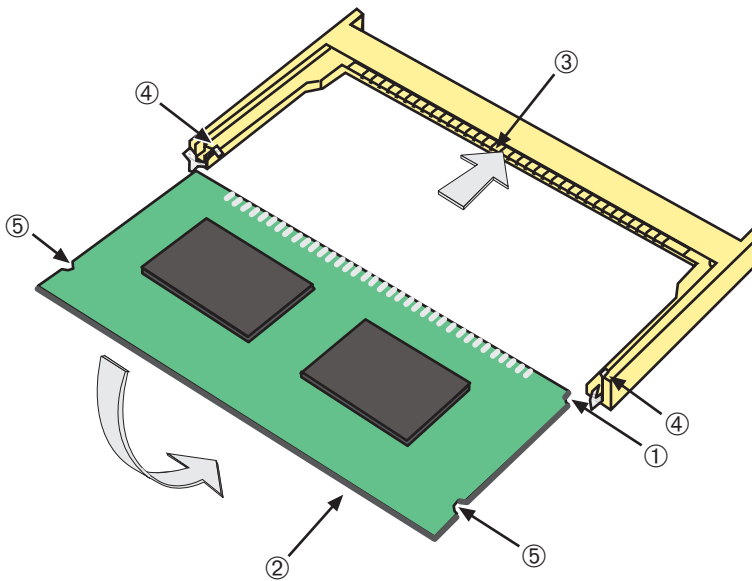


CAUTION: Observe all antistatic precautions when handling sensitive electronic equipment.

To install a DRAM SIMM, refer to [Figure B-5](#) and proceed as follows:

1. With the SIMM alignment notch ① oriented as shown in [Figure B-5](#), insert the SIMM ② down between the connector fingers ③.
2. Pivot the SIMM ② downward so the connector clips ④ align with the two SIMM alignment notches ⑤ and the connector clips lock the SIMM into place.

Figure B-5 Installing the DRAM



- | | | |
|------------------------|---------------------|------------------------------|
| ① SIMM alignment notch | ③ Connector fingers | ⑤ SIMM alignment notches (2) |
| ② SIMM | ④ Connector clips | |
-

3. Reconnect the device to the network as follows:
 - a. Reinstall the device into the rack if necessary.
 - b. Reinstall the top cover.
 - c. Reconnect the network cables to the device.
 - d. Reconnect both power cords from the rear of the chassis to the ac power outlets.

This completes the replacement of the DRAM SIMM.

Numerics

- 1000BASE-SX/LX network connections
 - requirements for [2-2](#)
- 1000BASE-T
 - requirements for [2-2](#)
- 100BASE-FX
 - requirements [2-2](#)
- 100BASE-T
 - requirements [2-2](#)
- 100BASE-TX
 - requirements [2-2](#)
- 10BASE-T
 - connection [3-21](#)
 - requirements [2-1](#)
- 1G-2GBIC
 - port specifications for [A-3](#)
- 1G-2MGBIC
 - port specifications for [A-3](#)
- 1G-2TX
 - port specifications for [A-3](#)
- 1H-16TX [A-3](#), [A-4](#)
 - port specifications for [A-3](#)
- 1H-8FX
 - port specifications for [A-3](#)

C

- Cable
 - Fiber Budget [A-4](#)
- Cable connections
 - 1G582-09 [3-21](#)
 - GBICs [3-21](#)
- Cable specifications
 - 1000BASE-SX/LX network [2-2](#)
 - 1000BASE-T network [2-2](#)
 - 100BASE-FX network [2-2](#)
 - 100BASE-TX network [2-2](#)
 - 10BASE-T network [2-1](#)

- Chassis cover, removal of [B-2](#)
- Connecting to the network [3-21](#)
- Connectivity
 - introduction to [1-3](#)
- Console port
 - pin assignments [A-11](#)

D

- Device features [1-1](#)

E

- Electromagnetic Compatibility (EMC)
 - requirements [A-12](#)
- Ethernet Expansion Modules
 - 1G-2GBIC [A-3](#)
 - 1G-2MGBIC [A-3](#)
 - 1G-2TX [A-3](#)
 - 1H-16TX [A-3](#)
 - 1H-8FX [A-3](#)

F

- Fiber budget [A-4](#)
- Front panel descriptions
 - 1G582-09 and 1G587-09 [1-2](#)

G

- GBICs
 - different styles of [3-6](#)
 - GPIM-01 [3-6](#)
 - GPIM-08 [3-6](#)
 - GPIM-09 [3-6](#)
 - Style with locking bar
 - installation of [3-9](#)
 - Style with side clips
 - installation of [3-7](#)
- Getting help [1-5](#)

I

Input/Output Ports

Mini-GBIC specifications [A-4](#)

Installation

connecting to the network [3-21](#)

GBIC fiber optic network connections [3-26](#)

GBICs [3-6](#)

in a rack [3-16](#)

locking bar GBICs [3-9](#)

Mini-GBICs [3-12](#)

optional Ethernet expansion modules [3-3](#)

side clip GBICs [3-7](#)

L

LANVIEW LEDs [4-1](#)

Launch Mode Conditioning cable [3-25](#)

Link LEDs

viewing of [4-1](#)

M

Memory

replacement of [B-6](#)

Mini-GBIC

connecting to the network [3-12](#)

Mini-GBICs

port specifications for [A-4](#)

Mode Switch

setting of [B-4](#)

N

Notices

General [ii](#)

O

Optional Ethernet expansion modules

installation of [3-3](#)

Options

installation of [3-2](#)

installation of GBICs [3-6](#)

styles of GBICs [3-6](#)

P

Physical Properties

Ethernet Expansion Module [A-4](#)

GPIM [A-11](#)

Physical properties [A-4](#)

Pinouts

crossover [3-23](#), [3-24](#)

straight-through [3-23](#), [3-24](#)

Power connection [3-19](#)

R

Receive/Transmit LEDs

viewing of [4-1](#)

Regulatory Compliance [A-12](#)

Related manuals [xix](#)

Reset switch

use of [4-6](#)

S

Safety requirements [A-12](#)

SIMMs

installing DRAM [B-7](#)

location [B-6](#)

Specifications [A-1](#)

1G582-09 and 1G587-09 [A-2](#)

Ethernet Expansion Module [A-3](#)

input/output [A-3](#)

GBIC

input/output [A-9](#)

Gigabit Ethernet [A-5](#)

GPIM [A-9](#)

GPIM-01 [A-9](#)

GPIM-08 [A-10](#)

GPIM-09 [A-10](#)

MGBIC-02 [A-8](#)

MGBIC-08 [A-7](#)

MGBIC-LC01/MGBIC-MT01 [A-5](#)

MGBIC-LC03 [A-6](#)

MGBIC-LC09 [A-7](#)

Mini-GBIC

input/output [A-4](#)

Standards compatibility [1-4](#)

T

Technical Support [1-5](#)

Troubleshooting [4-1](#)
checklist [4-3](#)

U

Unpacking the 1G58x-09 [3-2](#)

V

Viewing Receive and Transmit Activity
instructions for [4-1](#)

