



TZ8x Magnetic Tape Drive Installation

EK-TZ86M-IN.A01

September 1993

This document illustrates the installation of all TZ8x drives.

© Digital Equipment Corporation 1993. All rights reserved.

S2353

TZ8x Tape Drives

TZ85 Overview

Description	Streaming tape drive
Cartridge type	CompacTape III
Capacity	2.6 GB
Form factor	5 1/4 in
Media size	1/2 in
Transfer rate	800 KB
Temperature	10°C (50°F)–40°C (104°F) (operating)
Relative humidity	20%–80%
Voltage	+5 VDC ± 5% and +12 VDC ± 5%
Current	+5 V: 3.5 A and +12 V: .5 A
Power	40 W

Add-On Option Part Number

TZ85 embedded tape drive	TZ85E–MX
--------------------------	----------

Field Service Orderable Parts and Options

FRUs	TK85–AX (whole unit replacement)
CompacTape III cartridge	TK85K–01
CompacTape III cartridge (quantity of 7)	TK85K–07
CompacTape III cartridge (quantity of 1008)	TK85K–A0
CleaningTape III cartridge	TK85–HC
TZ85 controller module	54–19122–01
TZ85 drive module	54–19074–02
SCSI cable	17–02613–01

TZ8x

Documentation

<i>Tx85 Operator's Reference Card</i>	EK-OTK85-RC
<i>Tx85 Cartridge Tape Subsystem</i>	EK-OTF85-OM
<i>DEC 4000 AXP</i>	EK-KN430-OP
<i>Owner's Guide (VMS Ops)</i>	
<i>DEC OSF/1 AXP</i>	EK-SFFIS-UG
<i>Factory Installed</i>	
<i>Software User Guide</i>	

TZ8x

TZ86 Overview

Description	Streaming tape drive
Cartridge type	CompacTape III
Capacity	6.0 GB
Formfactor	5 1/4 in
Media size	1/2 in
Transfer rate	800 KB
Temperature	10°C (20°F)–40°C (104°F) (operating)
Relative humidity	20%–80%
Voltage	+5 VDC ± 5% and +12 VDC ± 5%
Current	+5 V: 3.5 A and +12 V: .5 A
Power	40 W

Add-On Option Part Number

TZ86 embedded tape drive	TZ86E–MX
--------------------------	----------

Field Service Orderable Parts and Options

FRUs	TK86–AX (whole unit replacement)
CompacTape III cartridge	TK85K–01
CompacTape III cartridge (quantity of 7)	TK85K–07
CompacTape III cartridge (quantity of 1008)	TK85K–A0
Cleaning Tape III cartridge	TK85–HC
TZ86 controller module	54–19122–01
TZ86 drive module	54–19074–02
SCSI cable	17–02613–01

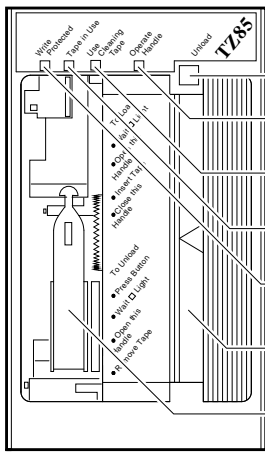
Documentation

<i>Tx86 Tape Drive Operator's Reference Card</i>	EK-OTK86-RC
<i>Tx86 Series Cartridge Tape Subsystem Owner's Manual</i>	EK-OTX86-OM
<i>Tx867 Series Magazine Tape Subsystem Owner's Manual</i>	EK-TX867-OM
<i>DEC 4000 AXP Owner's Guide (VMS Ops)</i>	EK-KN430-OP
<i>DEC OSF/1 AXP Factory Installed Software User Guide</i>	EK-SFFIS-UG

TZ8x

Figure 1 TZ8x Cassette Tape Drive

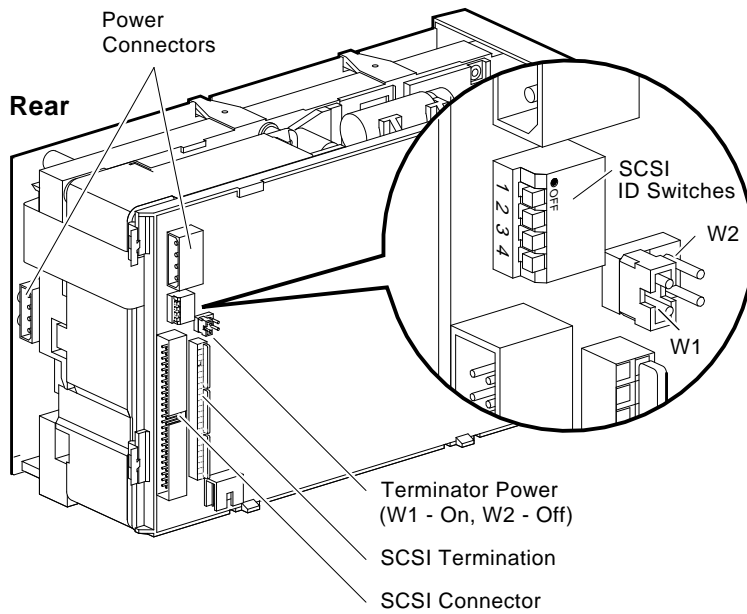
Front



- Unload Button
- Operate Handle Light
- Use Cleaning Tape Light
- Tape-in-Use Light
- Write-Protect Light
- Insert/Release Handle
- Cassette Slot

TZ8x SCSI ID Switch Selection

SCSI ID Switch Settings			
SCSI ID	2	3	4
0	Off	Off	Off
1	Off	Off	On
2	Off	On	Off
3	Off	On	On
4	On	Off	Off
5	On	Off	On
6	On	On	Off
7	On	On	On

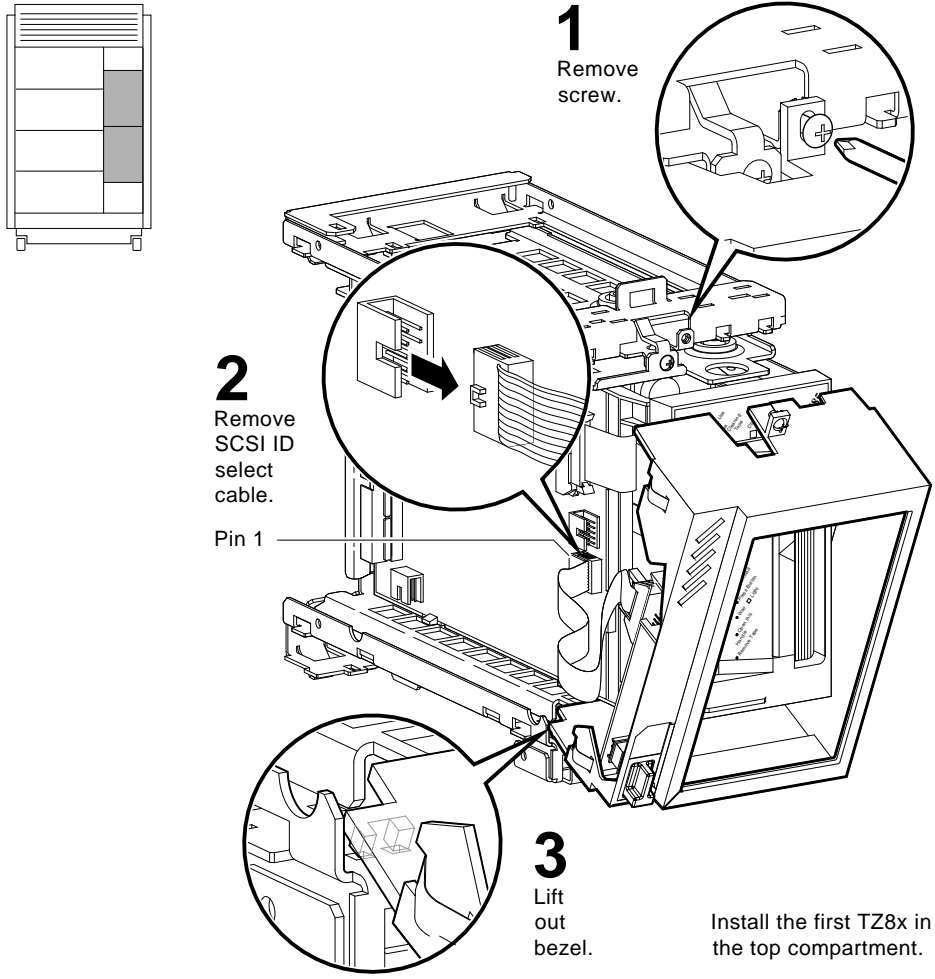


MLO-008223

Note

The SCSI ID select cable overrides the SCSI ID switches.

Figure 2 TZ8x Assembly



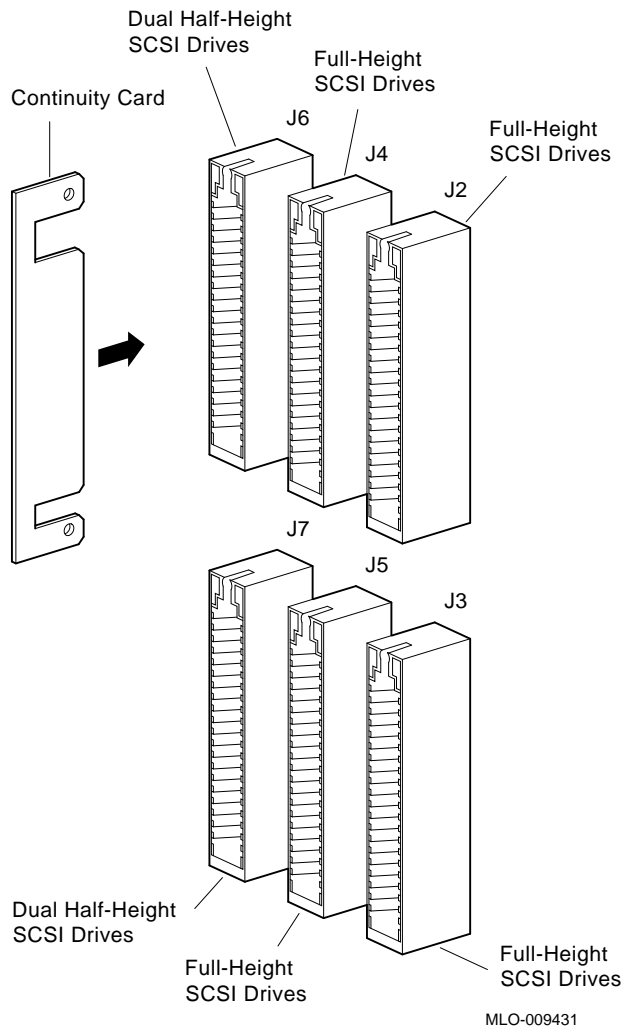
MLO-011323

TZ8x

Note

When a removable-media compartment is empty, install blank bezels to maintain maximum airflow. See Storage Tray Information in the *DEC 4000 AXP Options Guide* for part numbers and illustrations.

Figure 3 Bus Continuity Card



Note

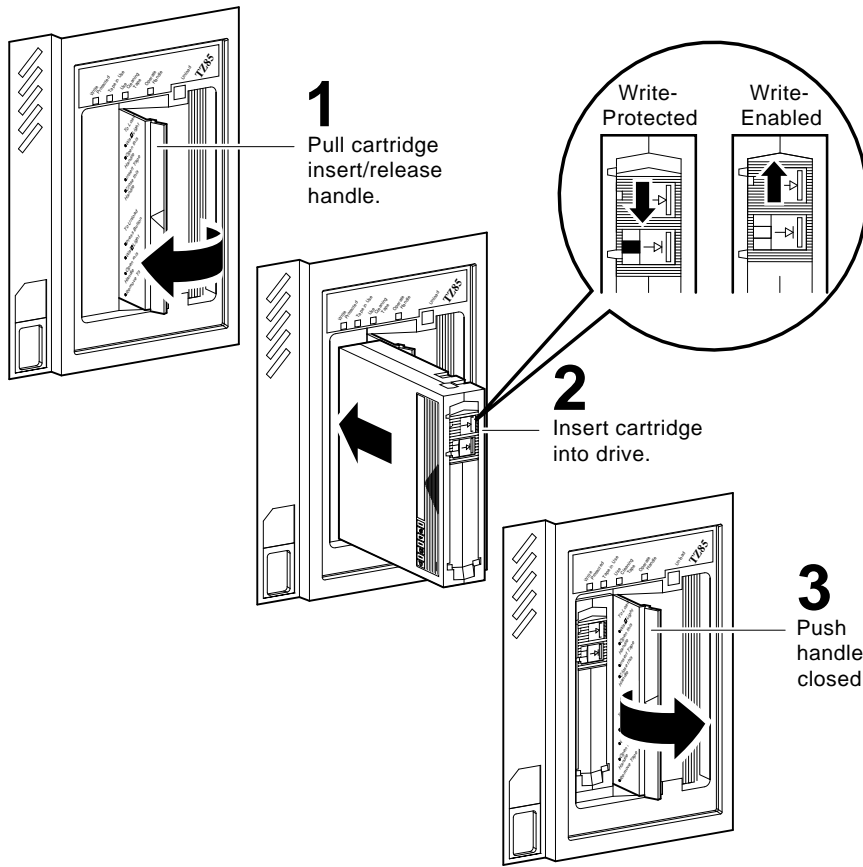
When either the J6 or J7 backplane connector is not used, insert the bus continuity card into those slots to maintain bus continuity. Two bus continuity cards are already installed in the backplane.

TZ8x

TZ8x Light Summary

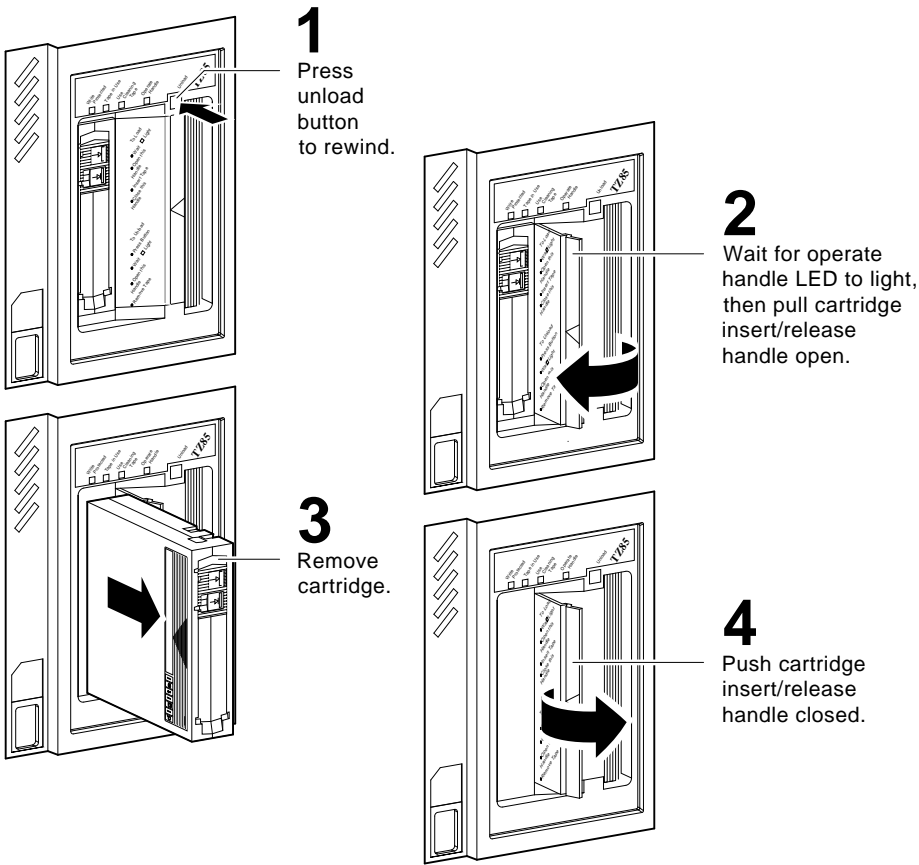
Light	State	Condition
Operate handle (green)	On	Okay to operate the cartridge insert/release handle.
	Off	Do not operate the cartridge insert/release handle.
Tape in use (yellow)	Blinks	Tape is moving.
	On	Tape is loaded (ready for use).
Write-protected (orange)	On	Tape is write-protected.
	Off	Tape is write-enabled.
Use cleaning tape (orange)	On	Load a CleaningTape III
	off	Cleaning not required.
All four lights	On	Power-On Self-Test is in progress.
	Blinks	Drive fault occurred. (Press Unload button to clear.)

Figure 4 TZ8x: Inserting a Tape



MLO-008664

Figure 5 TZ8x: Removing a Tape



MLO-008787