

# Bezel Replacement For All Storage Pedestals



## Product Notes

EK-SMCPC-PN. A01

### Purpose:

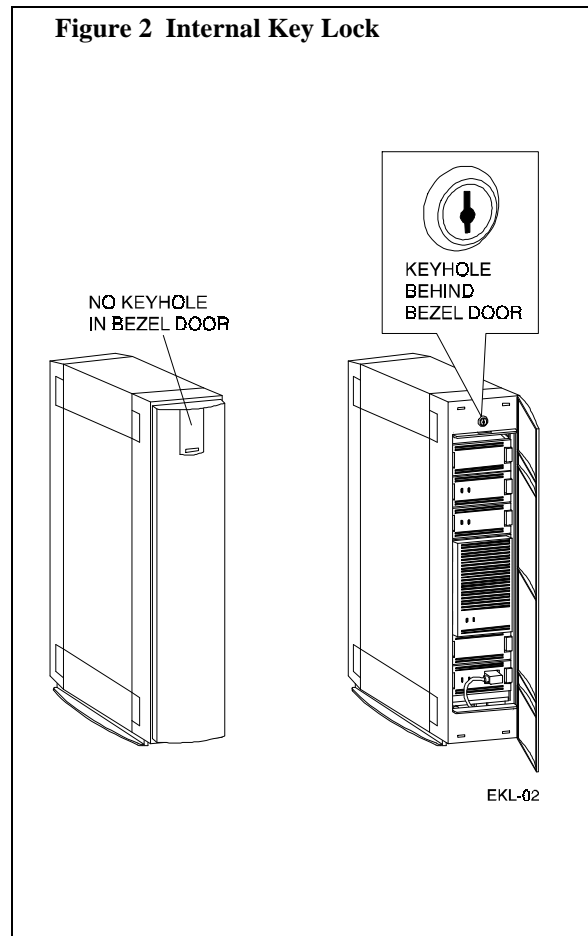
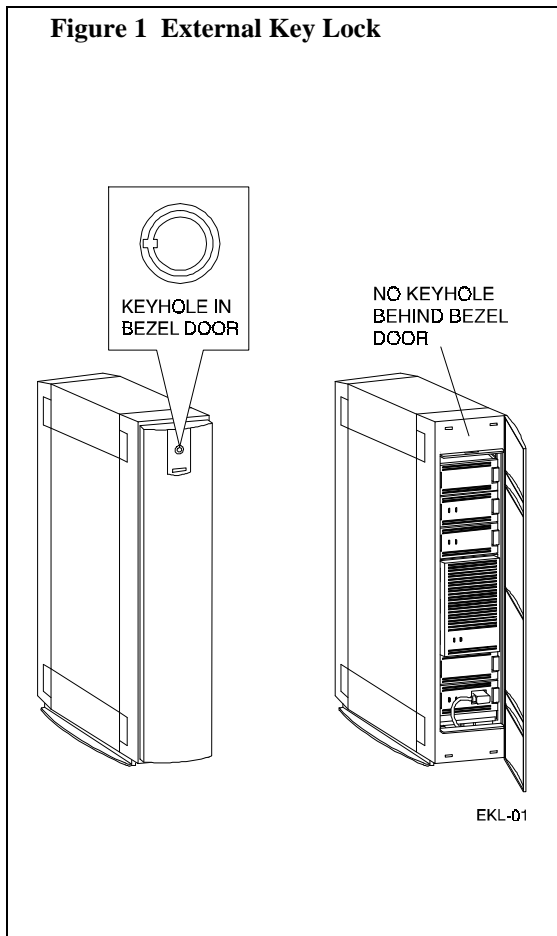
This Product Note provides bezel removal and installation procedures for all types of Storage Pedestals. Only two varieties of bezel are used: one is equipped with an external key lock mounted in

the bezel door, the other has an internal key lock mounted behind the bezel door.

### Determination:

When there's a requirement to remove or install a bezel, first determine your bezel type by comparing the identical front and rear bezels on your pedestal

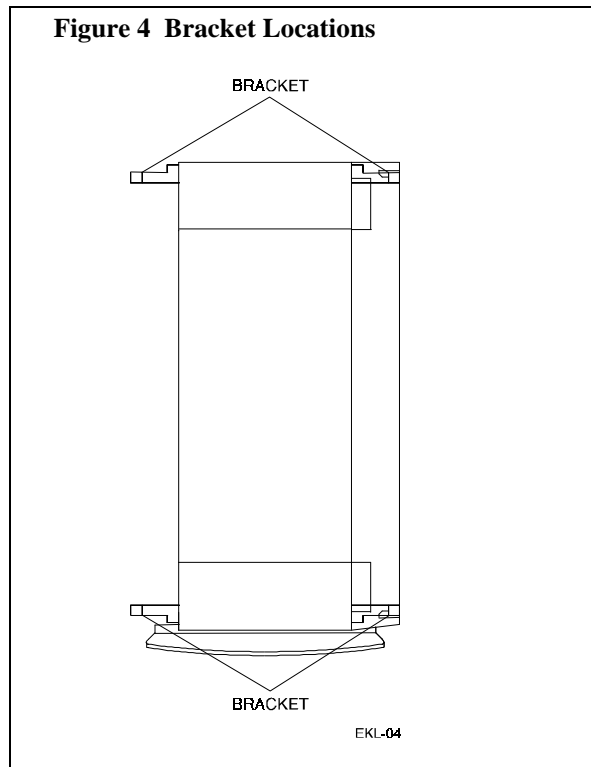
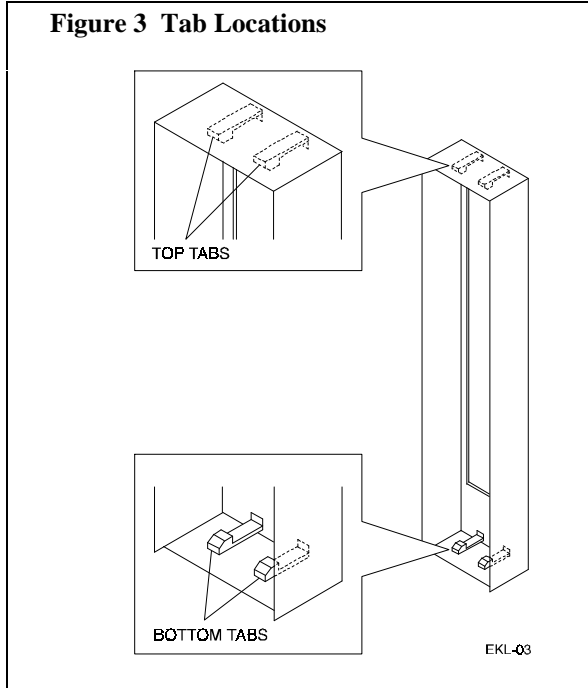
with Figures 1 and 2. If your bezels match Figure 1, follow the External Key Lock: procedures. If your bezels match Figure 2, use the Internal Key Lock: procedures.



## External Key Lock:

### Remove Front/Rear Bezel

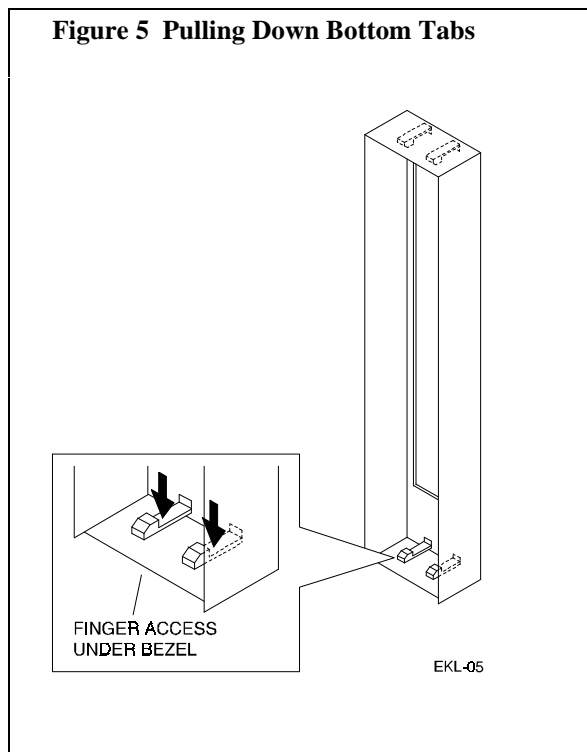
Four tabs (Figure 3) secure each bezel in place by engaging brackets at the top and bottom of the pedestal (Figure 4).



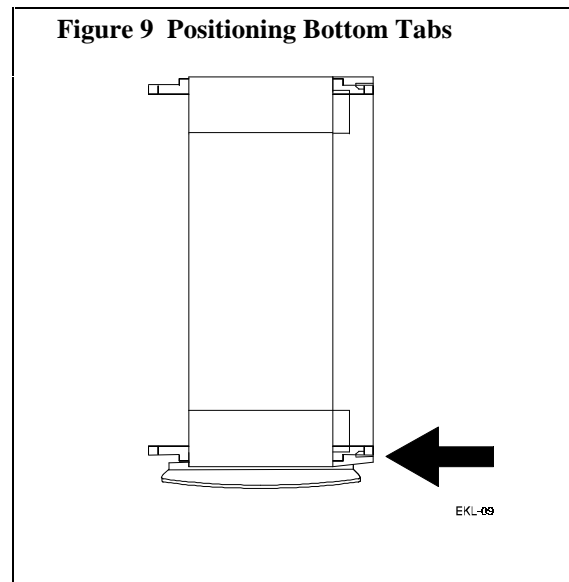
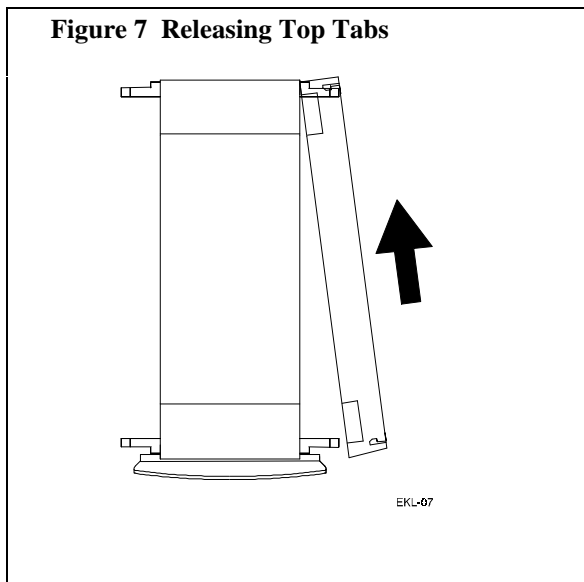
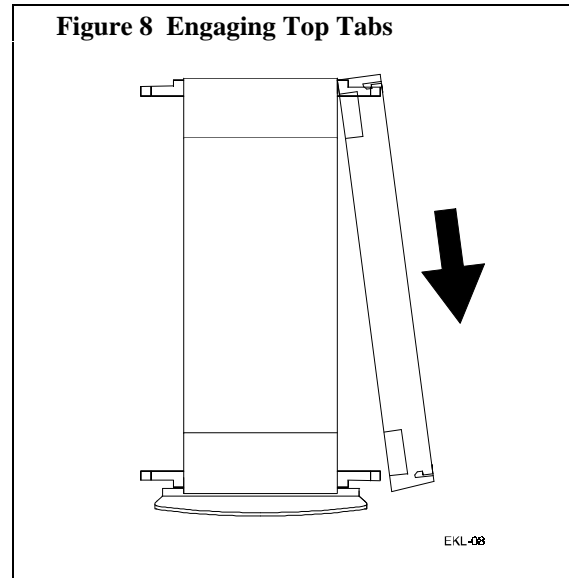
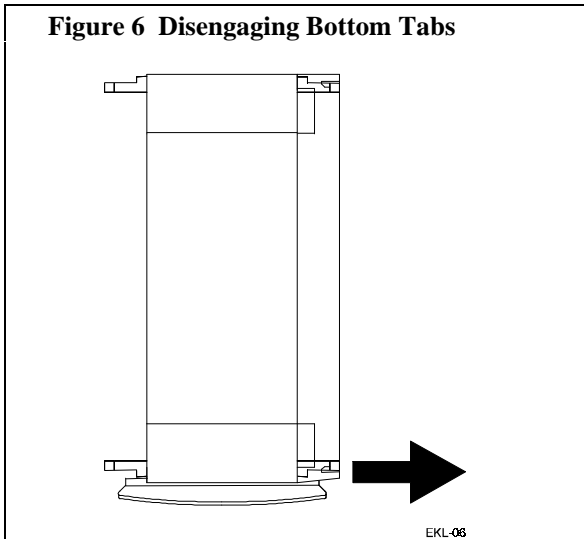
### CAUTION

Perform the next step carefully to avoid breaking the tabs at the bottom of the bezel.

1. Reach under base of bezel and pull down on bottom tabs as shown in Figure 5. Simultaneously, pull outward on bottom of bezel to disengage tabs as shown in Figure 6.
2. When bottom tabs release, lift bezel slightly to release top tabs from bracket as shown in Figure 7.



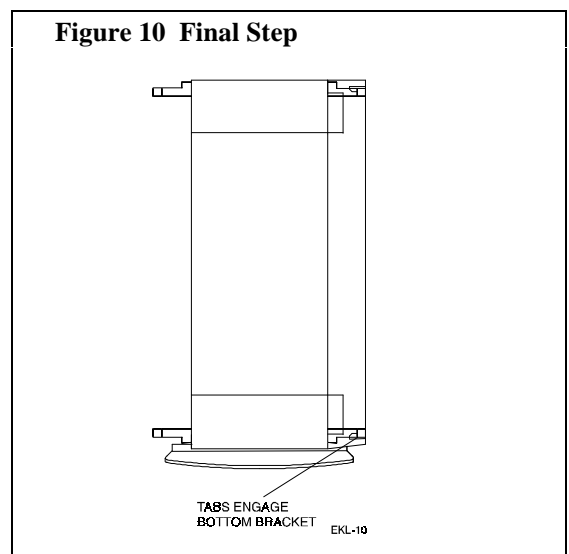
3. Lift bezel completely off pedestal.



### Install Front/Rear Bezel

Read Remove Front/Rear Bezel procedure above to familiarize yourself with the method of securing the bezel to the pedestal.

- 1.** Engage top tabs of bezel over upper bracket of pedestal as shown in Figure 8.
- 2.** Rotate bottom of bezel towards base of pedestal until bottom tabs of bezel touch bottom bracket of pedestal as shown in Figure 9.
- 3.** Press bottom of bezel down and forward until bottom tabs on bezel snap in place under bottom bracket as shown in Figure 10.

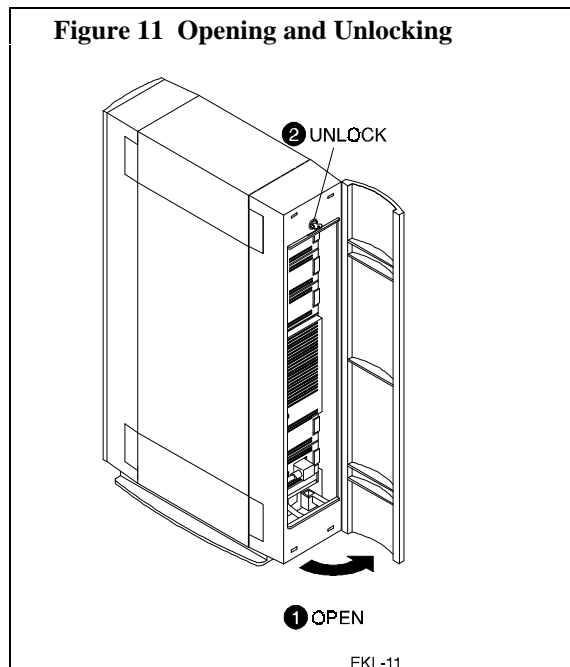


## Internal Key Lock:

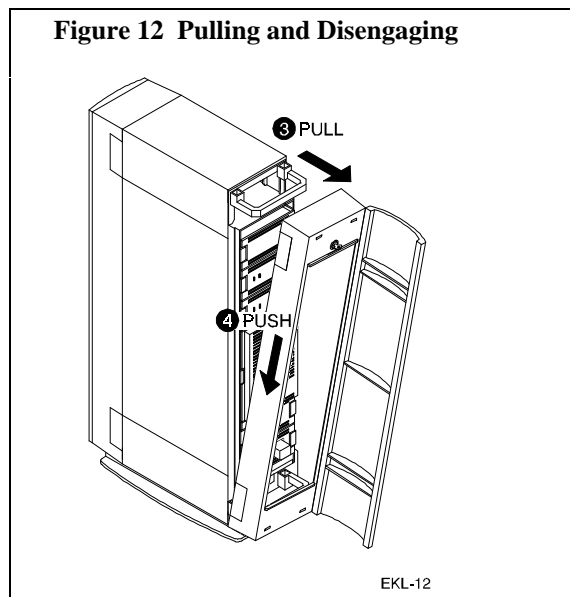
### Remove Front/Rear Bezel

1. Open front door of bezel as shown in Figure 11.
2. Unlock bezel with key supplied (Figure 11), then store key in secure place.
3. Pull top of bezel forward off pedestal as shown in Figure 12.
4. Push bezel down slightly (Figure 12) to disengage tabs securing bezel to base of pedestal.
5. Remove bezel from pedestal as shown in Figure 13.

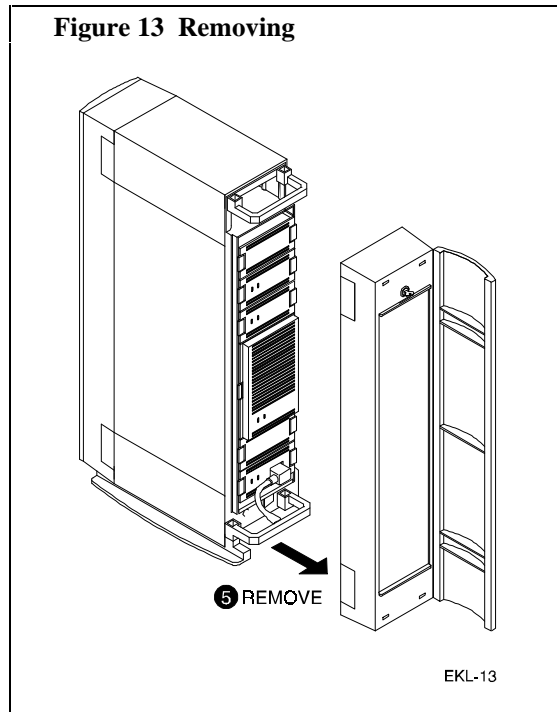
**Figure 11 Opening and Unlocking**



**Figure 12 Pulling and Disengaging**



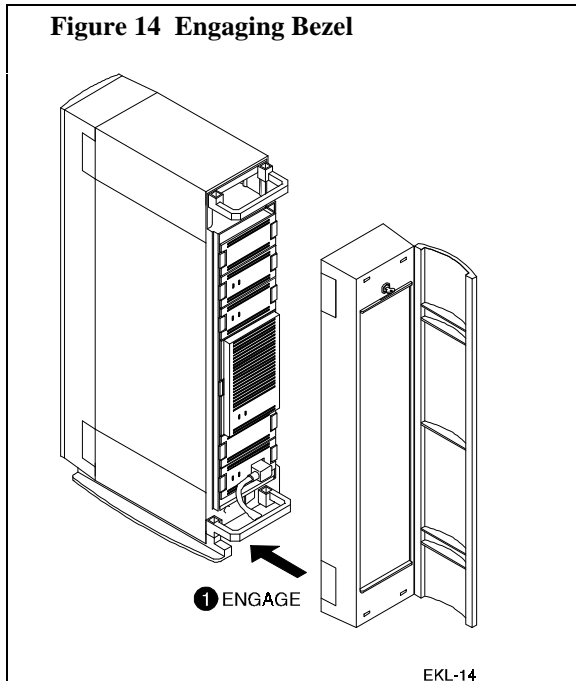
**Figure 13 Removing**



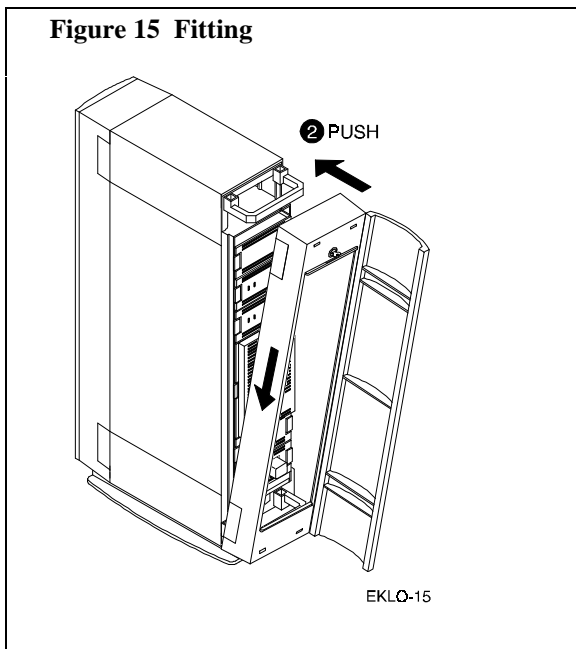
## Install Front/Rear Bezel

1. With bezel door open, engage tabs at base of bezel under pedestal as shown in Figure 14.
2. Push top of bezel forward until it fits evenly over pedestal as shown in Figure 15.
3. Lock bezel in place (Figure 16) and remove key. Store key in secure place.
4. Close bezel door (Figure 16).

**Figure 14 Engaging Bezel**



**Figure 15 Fitting**



**Figure 16 Locking and Closing**

