

A. SPARE PARTS and OPTIONS LIST

digital™ DECwriter 500i

**DECcolorwriter 520ic
(LJ500 and LJ520)**

Date: 14 September 1994

Rev: 03

IMPORTANT

THIS LIST IS THE ONLY DOCUMENT TO WHICH REFERENCE MAY BE MADE FOR ORDERING SPARE PARTS.

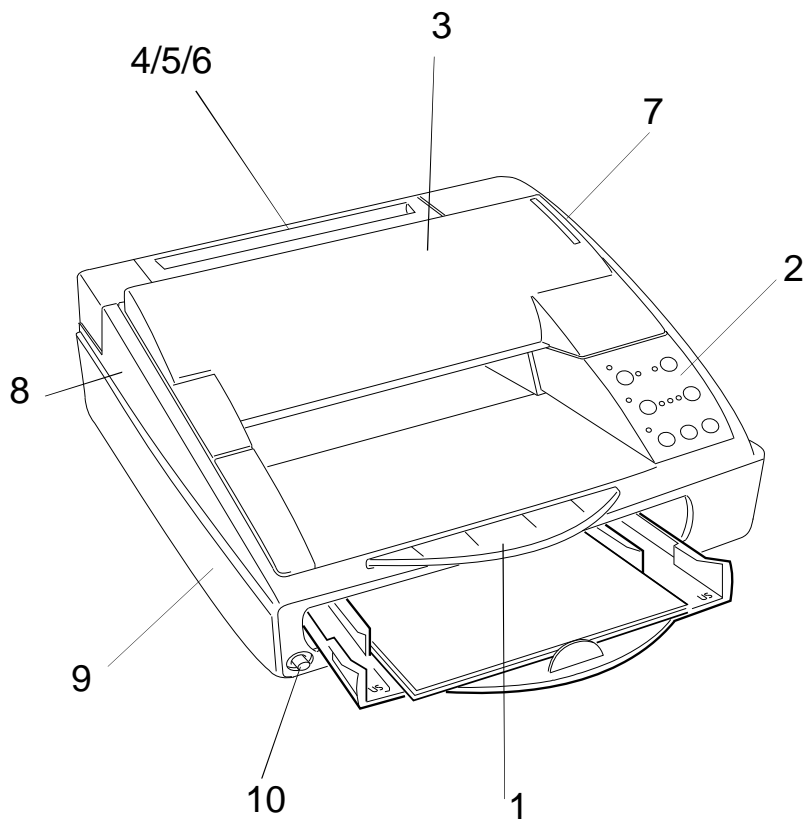
ITEMS LABELLED "NOT AVAILABLE" ARE NOT RECOMMENDED SPARES AND HAVE NOT BEEN ASSIGNED A DEC PART NUMBER. HOWEVER, THEY HAVE BEEN RETAINED FOR REFERENCE PURPOSES AND IF NEEDED MAY BE OBTAINED FROM THE SUPPLIER.

INDEX

CASING ASSEMBLY	A-3
CASSETTE ASSEMBLY	A-4
UPPER MECHANICAL ASSEMBLY	A-5
LOWER MECHANICAL ASSEMBLY	A-6
LEFT SIDE VIEW	A-7
MECHANISM	A-8
CARRIAGE MOTOR ASSEMBLY	A-9
BLACK COLOUR SELECTION ASSEMBLY	A-10
MOTHER BOARD	A-11
POWER SUPPLY	A-12

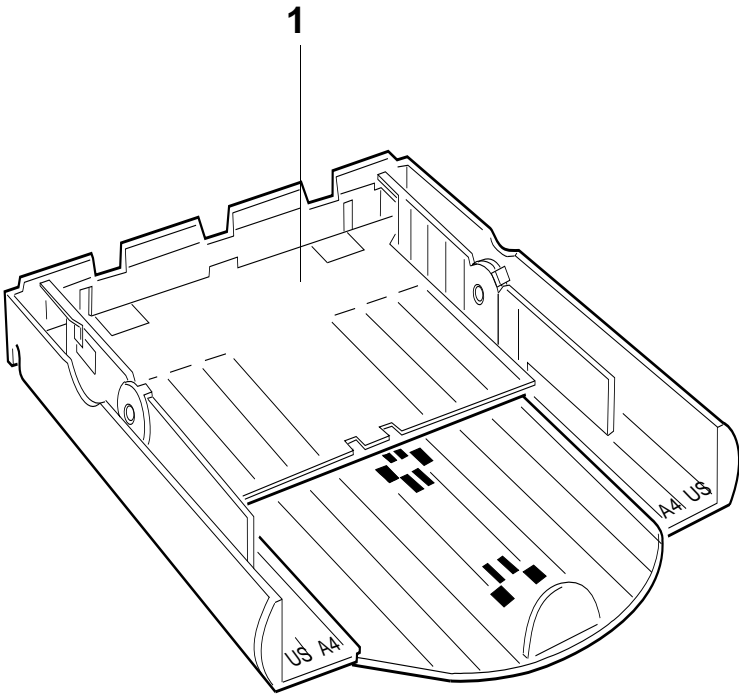
CASING ASSEMBLY

REF.	SUPPLIER CODE	PART NUMBER	DESCRIPTION
1	581086 B	29-31816-01. A01	PAPER SUPPORT
2	581755 V	29-31813-01. A01	OPERATOR CONSOLE KEYBOARD
3	581841 L	29-31812-01. A01	COVER (LJ500)
3	581857 L	29-31815-01. A01	COVER (LJ520)
4	581089 N	Not available	REAR COVER
5	581087 C	Not available	REAR PAPER SUPPORT
6	581028 Q	Not available	REAR PAPER GUIDE
7	581090 K	Not available	MEMORY/FONT SOCKET GASKET
8	581084 H	Not available	UPPER CASING ASSEMBLY
9	581010 J	Not available	FRAME ASSEMBLY
10	581126 F	29-32074-01.A01	SWITCH LEVER POWER ON/OFF



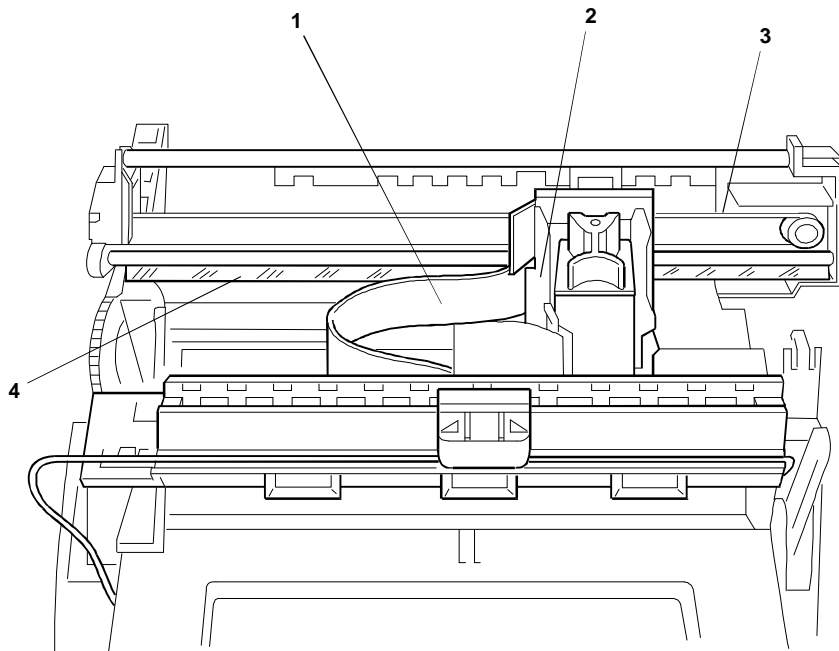
CASSETTE ASSEMBLY

REF.	SUPPLIER CODE	PART NUMBER	DESCRIPTION
1	581754 U	29-31817-01. A01	COMPLETE CASSETTE ASSEMBLY



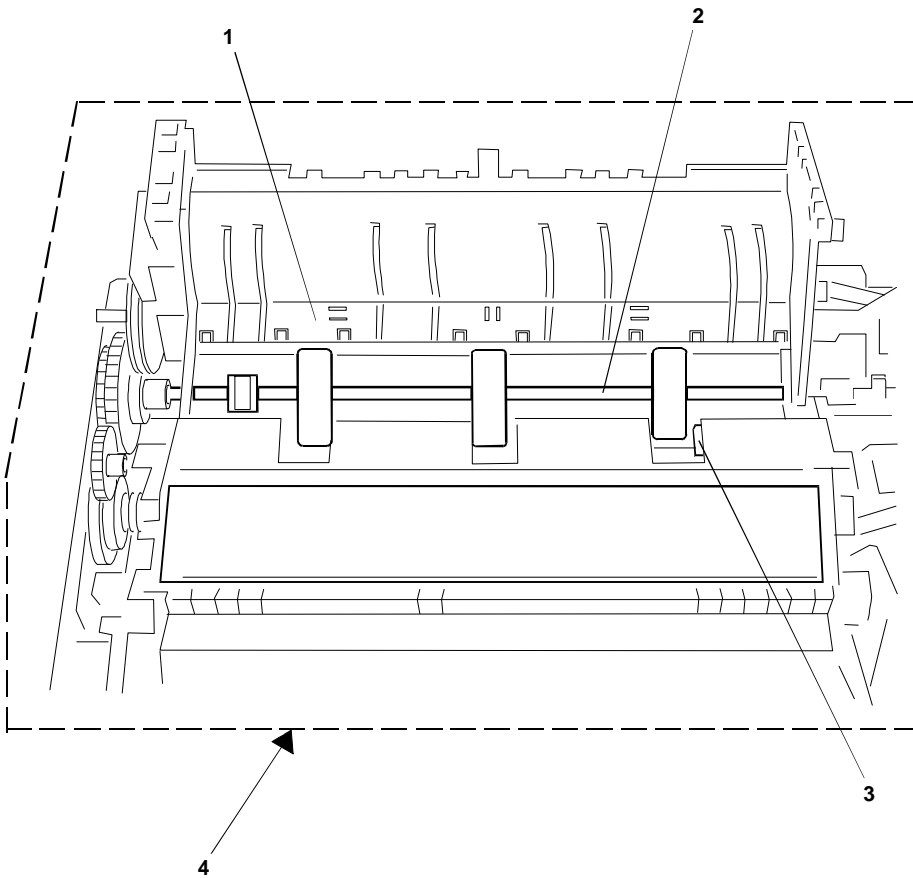
UPPER MECHANICAL ASSY

REF.	SUPPLIER CODE	PART NUMBER	DESCRIPTION
1	581067 P	29-31819-01. A01	FLAT CABLE
2	581280 W	29-31820-01. A01	COMPLETE CARRIAGE ASSEMBLY
3	581053 R	29-31821-01. A01	CARRIAGE BELT
4	581051 P	29-31823-01. A01	LINEAR RULER



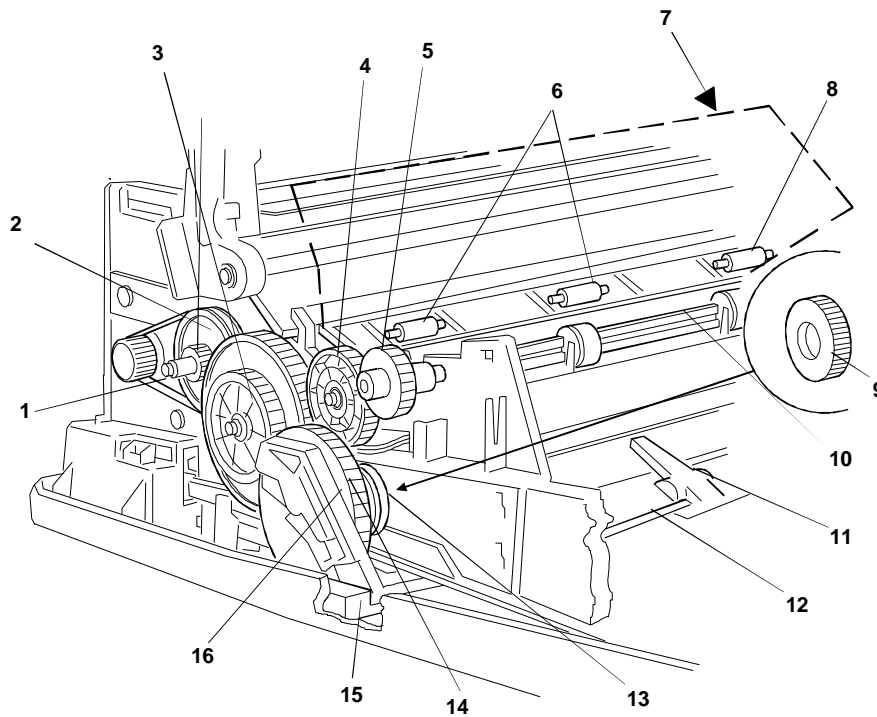
LOWER MECHANICAL ASSY

REF.	SUPPLIER CODE	PART NUMBER	DESCRIPTION
1	581025 D	Not available	LOWER PAPER GUIDE WITH SPRINGS
2	581016 C	Not available	3 ROLLERS ASSEMBLY WITH SHAFT
3	581029 R	Not available	PAPER PRESENCE SENSOR
4	581287 R	Not available	MECHANICAL ASSY



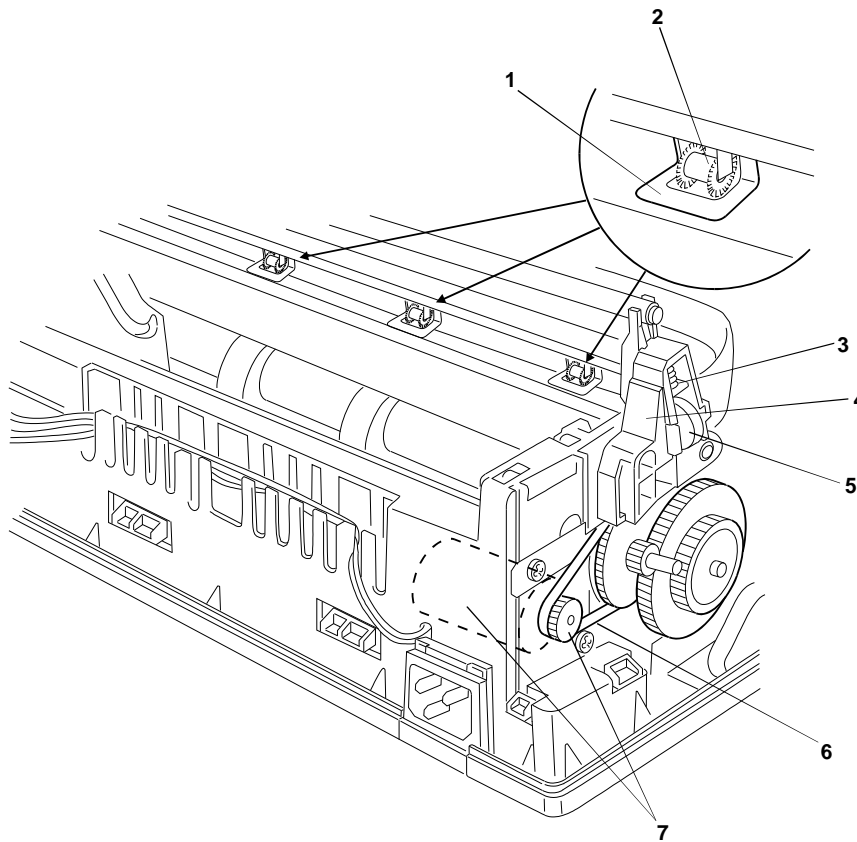
LEFT SIDE VIEW

REF.	SUPPLIER CODE	PART NUMBER	DESCRIPTION
1	581043 P	Not available	PAPER TRANSPORT BELT
2	581022 A	Not available	TOOTHED PULLEY
3	581199 R	Not available	CLIQUET WHEEL ASSEMBLY
4	581023 B	Not available	TOOTHED WHEEL
5	581001 N	Not available	TOOTHED WHEEL
6	581040 Y	Not available	UPPER PAPER PRESSURE ROLLER
7	581288 S	29-31818-01. A01	UPPER PAPER GUIDE, WITH ROLLERS
8	581188 N	Not available	ROLLER
9	581096 D	Not available	FRICTION WHEEL
10	581024 C	Not available	PAPER EXTRACTION SHAFT
11	581102 Q	Not available	LEVER PLATE
12	581092 H	Not available	TORSION SPRING
13	581097 E	Not available	SPRING FOR FRICTION WHEEL
14	581095 C	Not available	TOOTHED SECTOR
15	581094 B	Not available	LEVER BLOCKING
16	581093 A	Not available	LEVER



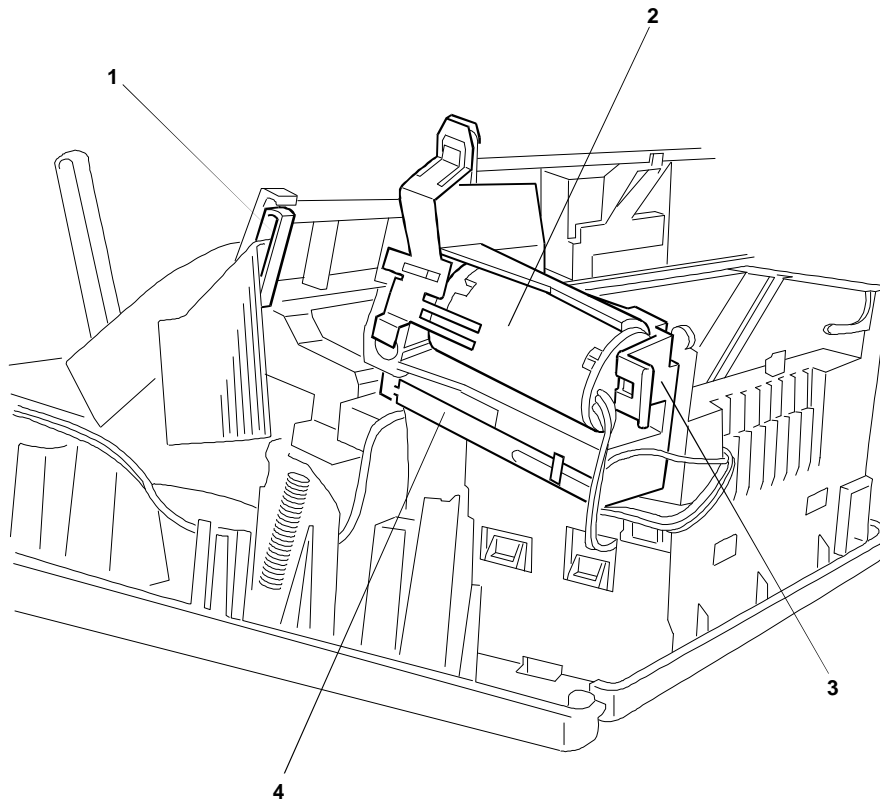
MECHANISM

REF.	SUPPLIER CODE	PART NUMBER	DESCRIPTION
1	581142 P	Not available	SPRING FOR TOOTHED WHEEL
2	581145 J	29-31824-01. A01	TOOTHED WHEEL ASSEMBLY
3	581058 W	Not available	SPRING
4	581057 M	Not available	LEFT SUPPORT
5	581056 L	Not available	BELT TENSION PULLEY
6	581043 P	Not available	PAPER TRANSPORT BELT
7	581032 C	29-31846-01. A01	PAPER TRANSP. MOTOR WITH GEAR



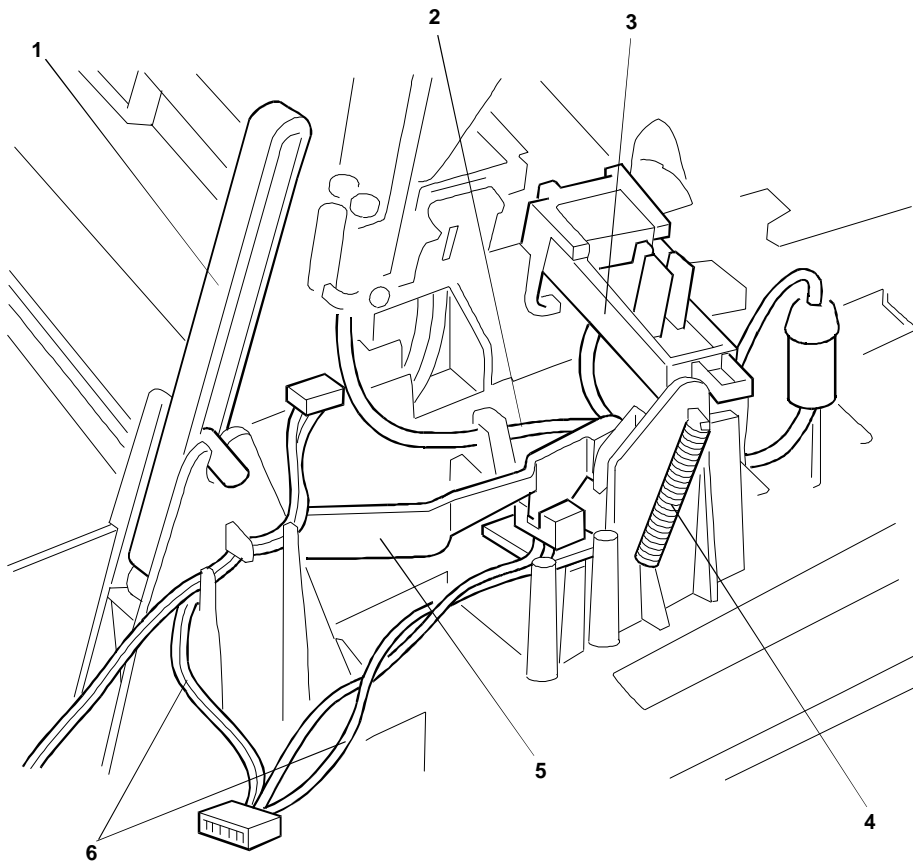
CARRIAGE MOTOR ASSEMBLY

REF.	SUPPLIER CODE	PART NUMBER	DESCRIPTION
1	581066 N	Not available	FERRITE
2	581050 S	29-31825-01. A01	CARRIAGE MOTOR
3	581049 V	Not available	CARRIAGE MOTOR SUPPORT
4	581052 Q	Not available	SPRING FOR LINE



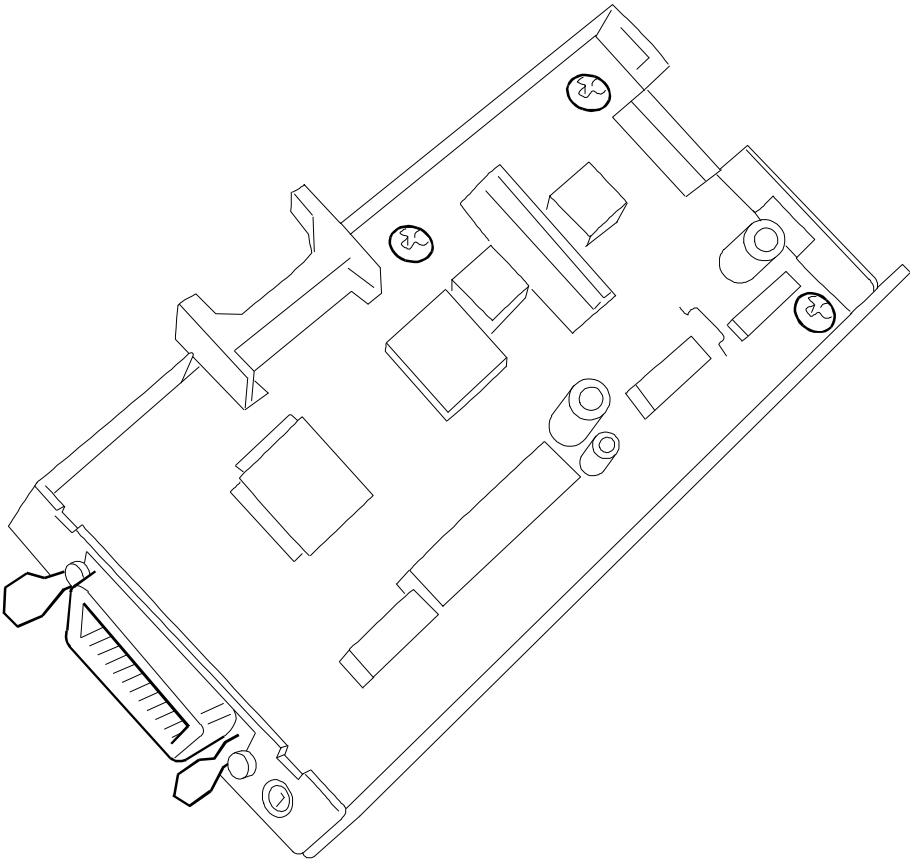
BLACK/COLOR SELECTION ASSY

REF.	SUPPLIER CODE	PART NUMBER	DESCRIPTION
1	581075 P	29-31826-01. A01	LEVER
2	581133 E	Not available	PUMP TUBE 2
3	581282 L	29-31827-01. A01	COMPLETE PARK STATION ASSY
4	581078 S	Not available	SPRING
5	581081 E	29-31808-01. A01	CONNECTING ROD
6	581134 F	Not available	PAPER AND COLOUR SENSORS CABLE



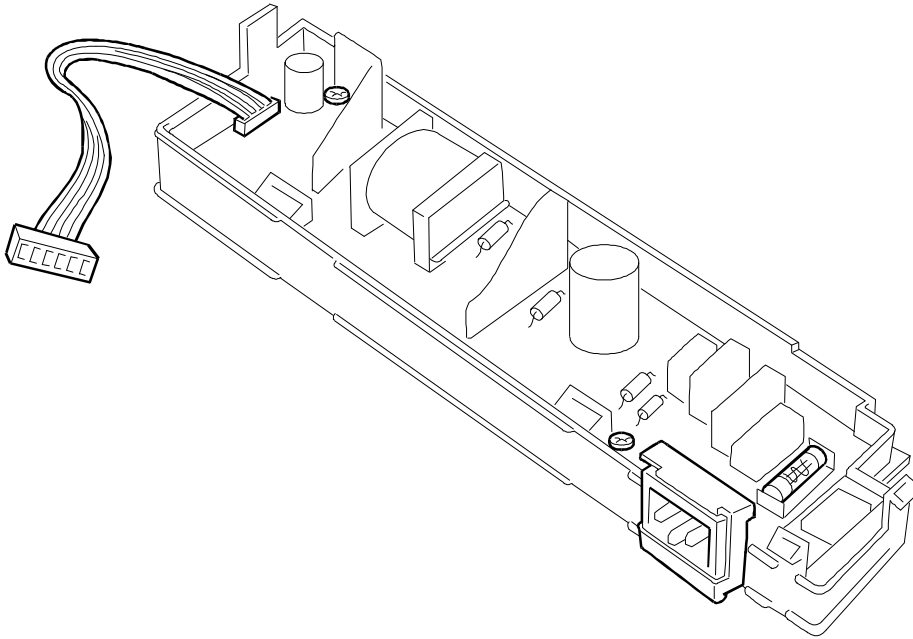
MAIN BOARD

REF.	SUPPLIER CODE	PART NUMBER	DESCRIPTION
612618 A	29-31809-01.	A01	MAIN BOARD (with metal mountingplate)



POWER SUPPLY

REF.	SUPPLIER CODE	PART NUMBER	DESCRIPTION
413656 Z		29-31810-01. A01	POWER SUPPLY 220V
413655 Y		29-31811-01. A01	POWER SUPPLY 110V



OPTIONS LIST

Option No:	Description
LJ50X-AB	Black Print head plus 1 cartridge (comprises cartridge casing and ink cartridge (up to 800 page life)
LJ50X-AC	2 replacement cartridges
LJ50X-AK	Color print head and ink cartridge kit (200 page life)
LJ50X-BK	Color porint head and storage box
LJ50X-SF	ASF2 - Second paper tray (A4/A4/Letter/legal)
LJ50X-TR	Push tractor (sprocket)
LJ50X-IE	PCMCIA Emulation card (for IBM proprinter X24/Epson LQ 850 emulations) (see Note below)
LJ50X-CH	Font Card B - Prestige Elite 7pt, 10 pt. 16.67cpi, 12 cpi - Letter Gothic 12pt, 12 cpi
LJ50X-CJ	Font Card R,U - Times Nordic 8pt,10pt,12pt, 14pt, 30pt PS
LJ50CK	Font Card T,V - Nordic 8pt,10pt,12pt, 14pt, 30pt PS

All font cards supplied with a booklet which illustrates it's contents and explains the font selection procedure.

Option No:	Description
LJ50X-DB	PCMCIA RAM Card 256KB card (Note other Type 1 cards with up to 4MB that are available on the open market can also be used.)
BC19M-10	10ft parallel shielded cable
BC19M-06	6 ft parallel shielded cable