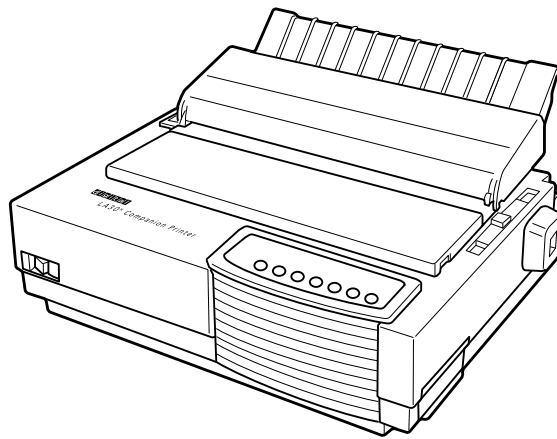


# LA30<sup>N</sup>/LA30<sup>W</sup> Companion Printer

---



## Illustrated Parts Breakdown



Order Number: ER-LA30N-IP-002

# LA30N/LA30W Companion Printer

---

## Illustrated Parts Breakdown

Digital Equipment Corporation  
Maynard, Massachusetts

# 1. HOW TO REFER TO THIS MANUAL

Example:

No.	Composition & Quantity			Vendor Specification	Parts name (Description)	Digital Parts Number
1-28	1			CA02313-F022	Upper cover assembly	G 29-33023-01  E 29-33042-01
1-7	1			CA02313-G022	Upper cover assembly	
1		1		CA02313-W022	Upper cover	
2		1		CA02312-Y162	Insulation sheet	
3		7		CA02312-Y16005	OP button	
4		1		CA02313-Y191	OP sheet	
5		1		CA02313-Y032	Soundproof material C	
6		1		CA02313-Y034	Soundproof material E	
7		1		CA02312-Y15005	Font card box	
10	1			CA20160-B65X	OP Board	
11	1			CA02313-Y158	OP FG spring	
12	2			F6-SN2TP3-8	Tapping screw	
15-18	1			CA02313-F075	Front cover assembly	
15-17		1		CA02313-G072	Front cover assembly	
15			1	CA02313-Y07105	Front cover	
16			1	CA02313-Y035	Soundproof material F	
17			1	CA02313-Y036	Soundproof material G	
18		1		CA02313-Y075	Top cover F	

- A. The figure shows the item number of the part in the drawing.
- B. These columns show the construction levels. A higher level part consists of the following lower level parts listed until the quantity of the next part appears at the same level. See example C.
- C. m-n shows an assembly or unit consisting of more than one part. The upper cover sub assembly consists of an upper cover, insulation sheet, op button, op sheet, shoundproof material C, soundproof material E, and font card box.
- D. These parts are at the same level and belong to the upper level part.
- E. User 29-33042-01 to order the front cover assembly. As a rule, only the recommended spare parts can be ordered.
- F. The upper cover assembly is the part name of item numbers 1-28.
- G. Part Number is a DEC's part number to order.

This document is used for maintenance purpose only.  
The illustration of the part does not guarantee its availability.

<b>REVISION RECORD</b>		
<b>Edition</b>	<b>Date published</b>	<b>Revised contents</b>
001	January 1996	First issue
002	June 1996	Second issue
Specification No. ER-LA30N-IP		

The contents of this manual may be revised without prior notice.

All Rights Reserved, Copyright © 1996 Digital Equipment Corporation.  
 No part of this manual may be reproduced in any form without permission.

This document is a parts catalogue for the LA30N/LA30W Companion Printer.

The information in this manual applies both to the Digital LA30N Companion Printer (80-column printer) and to the Digital LA30W Companion Printer (136-column printer).

This document is for service engineers.

This document consists of two parts: Parts List and Parts Drawings.  
Parts list has layer structure. You can find assembly levels.  
Parts drawing does not have the layer structure.

There are other documents for service engineers as follows.  
Especially the service manual has close relationship to this document.

LA30N/LA30W Companion Printer Service Manual (Order Number: ER-LA30N-SV-002)

LA30N/LA30W Companion Printer User Guide (Order Number: EK-LA30E-UG-001)

# CONTENTS

<b>1.</b>	<b>HOW TO REFER TO THIS MANUAL .....</b>	<b>1-1</b>
<b>2.</b>	<b>SPECIFICATION .....</b>	<b>2-1</b>
<b>3.</b>	<b>LA30N PARTS LIST AND PARTS DRAWING OF PRINTER MECHANISM ..</b>	<b>3-1</b>
	3.1 LA30N Printer .....	3-1
	3.2 Upper Cover Assembly .....	3-6
	3.3 Lower Cover Assembly .....	3-8
	3.4 Mechanism Assembly .....	3-10
	3.5 Frame Sub Assembly .....	3-13
	3.6 Carrier Unit .....	3-16
	3.7 Power Supply Unit .....	3-18(*)
	3.8 Control Board .....	3-20(*)
	*: Common to LA30W	
<b>4.</b>	<b>LA30W PARTS LIST AND PARTS DRAWING OF PRINTER MECHANISM .....</b>	<b>4-1</b>
	4.1 LA30W Printer .....	4-1
	4.2 Upper Cover Assembly .....	4-6
	4.3 Lower Cover Assembly .....	4-8
	4.4 Mechanism Assembly .....	4-10
	4.5 Frame Sub Assembly .....	4-13
	4.6 Carrier Unit .....	4-16

## 2. SPECIFICATIONS

The table below lists standard models of LA30N printer.

No.	Specification	Voltage		Area	Remarks
		110V	220V		
1	CA02313-B301			North America, Japan, Asia.	110V standard
2	CA02313-B311			Europe, Asia	220V standard
3	CA02313-B312			Australia	220V Australian AC Cable.

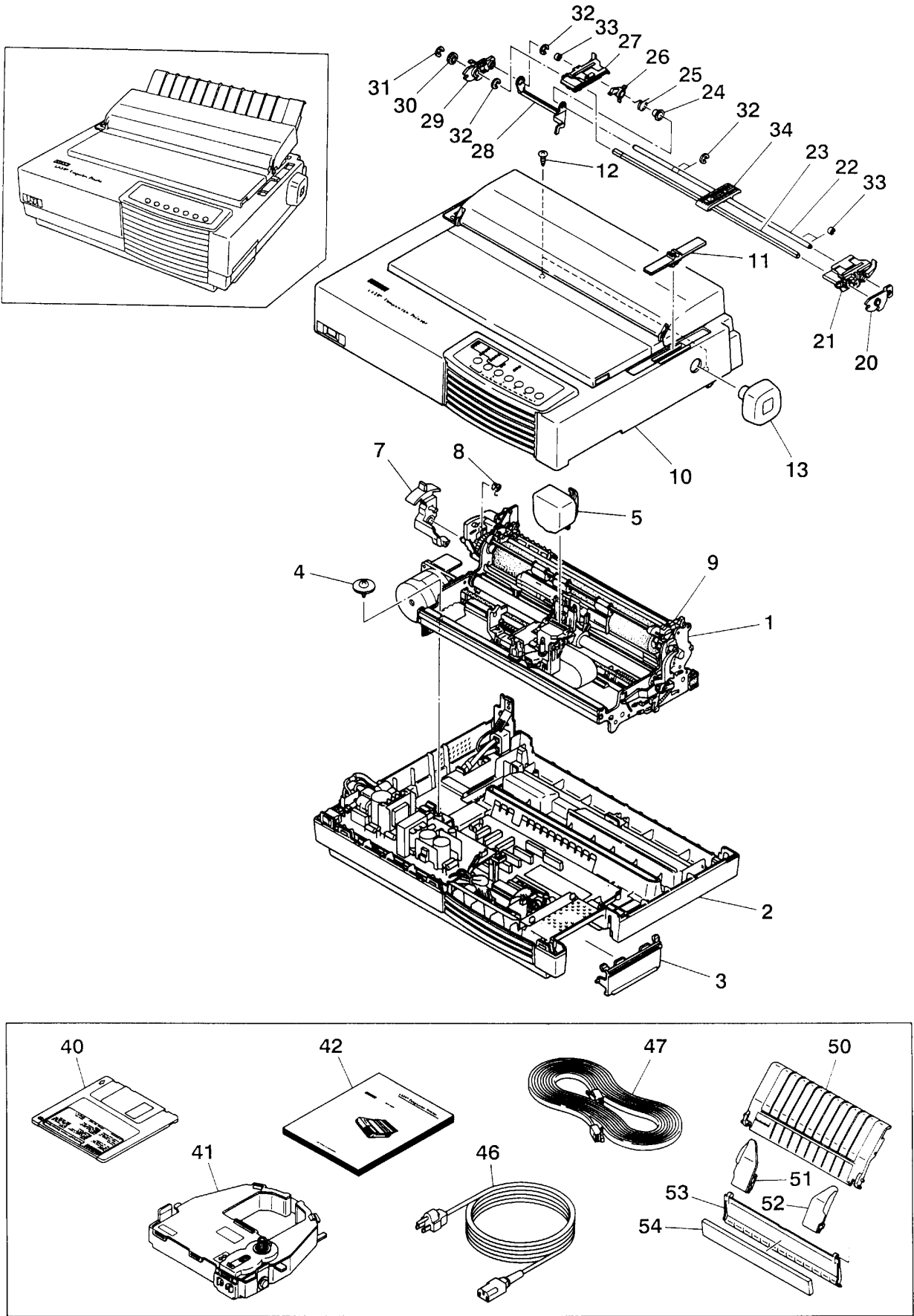
The table below lists standard models of LA30W printer.

No.	Specification	Voltage		Area	Remarks
		110V	220V		
1	CA02312-B301			North America, Japan, Asia.	110V standard
2	CA02312-B311			Europe, Asia	220V standard
3	CA02312-B312			Australia	220V Australian AC Cable.



### 3. PARTS LIST AND PARTS DRAWING OF PRINTER MECHANISM

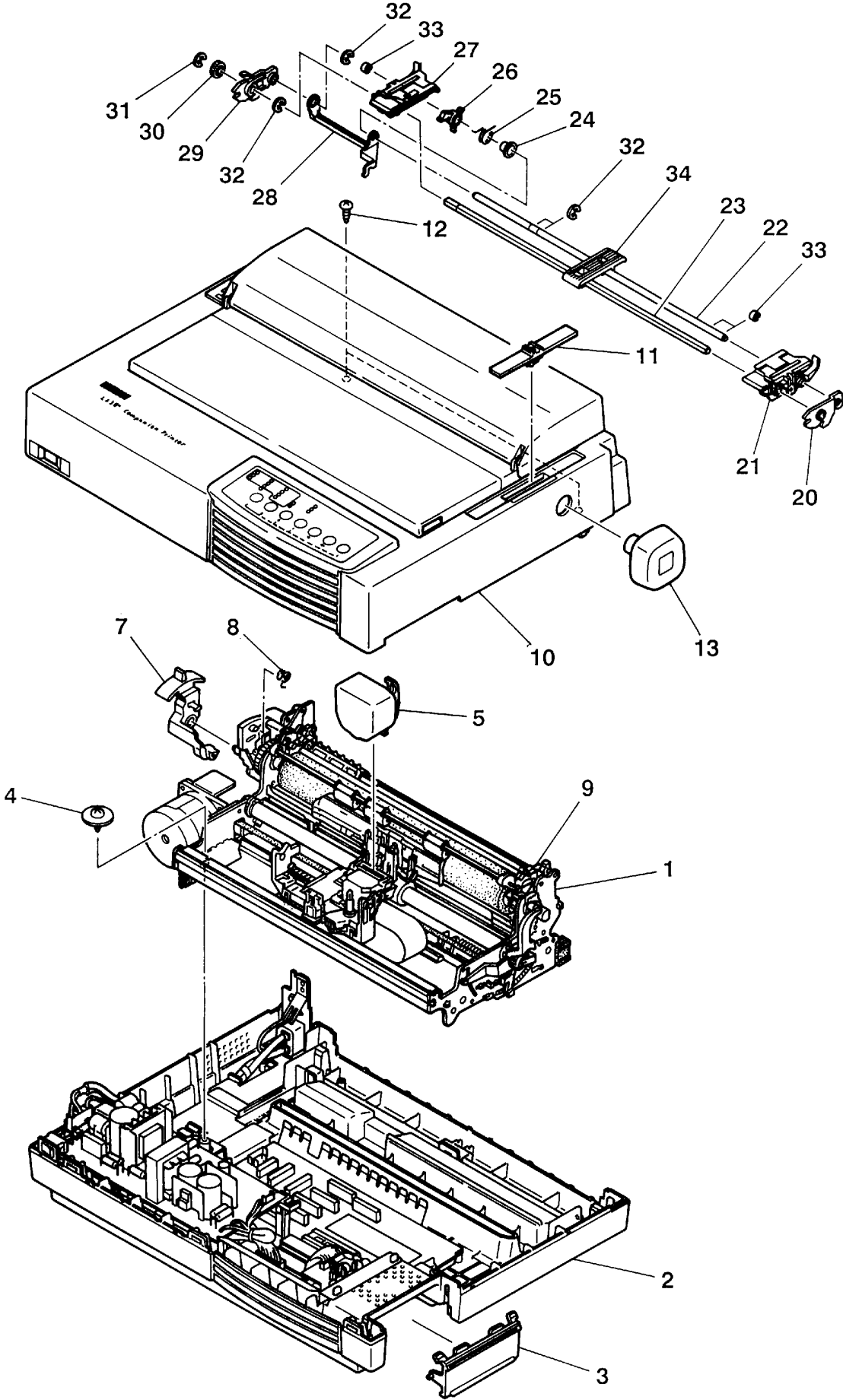
#### 3.1 LA30N Printer



### 3.1 LA30N Printer

No.	Composition & Quantity				Vendor Specification	Parts name (Description)	Digital Parts Number
1-54	1				CA02313-B301	LA30N (Centro+RS423)	LA30N-CA
	1				CA02313-B311	LA30N (Centro+RS423)	LA30N-B3
	1				CA02313-B312	LA30N (Centro+RS423)	LA30N-AZ
1-34	1				CA02313-C301	Printer (Centro+RS423)	
	1				CA02313-C311	Printer (Centro+RS423)	
1		1			CA02312-F218	Printer mecha. assembly	29-33035-01
2		1			CA02313-D301	Lower cover assembly	
	2		1		CA02313-D311	Lower cover assembly	
3		1			CA02312-Y07005	Side cover	29-33071-01
4		2			D860-1156-X819	Screw	
5		1			CA02281-F612	Print head	29-33031-01 (LA30X-PH)
7		1			CA02312-Y42005	Change lever	29-33038-01
8		1			CA02312-Y427	PS spring	29-33039-01
9		1			CA02313-F161	Bail unit	29-33068-01
10		1			CA02313-F022	Upper cover assembly	
11		1			CA02312-Y19005	Lever	29-33077-01
12		2			F6-SN2TP3-10	Tapping screw	
13		1			CA02312-Y19905	Platen knob	29-33037-01
20-34		1			CA02312-F596	Tractor unit	29-33041-01
20		1			CA02312-Y593	Tractor frame R	
21		1			CA81003-109601	Tractor unit L	
22		1			CA02312-Z591	Tractor shaft	
23		1			CA02312-Z592	Tractor S. shaft	
24		1			CA02312-Y562	Sleeve	
25		1			CA02312-Y563	Lever spring	
26		1			CA02312-Y560	PE lever	
27		1			CA81003-109602	Tractor unit R	
28		1			CA02312-Y561	Actuator	
29		1			CA02312-Y594	Tractor frame L	
30		1			CA02312-Y598	Tractor gear	
31		1			F6-ER5-SUS	E ring	
32		4			F6-ER4-SUS	E ring	
33		3			CA02312-Z597	Collar	
34		1			CA02312-Y597	Center guide	

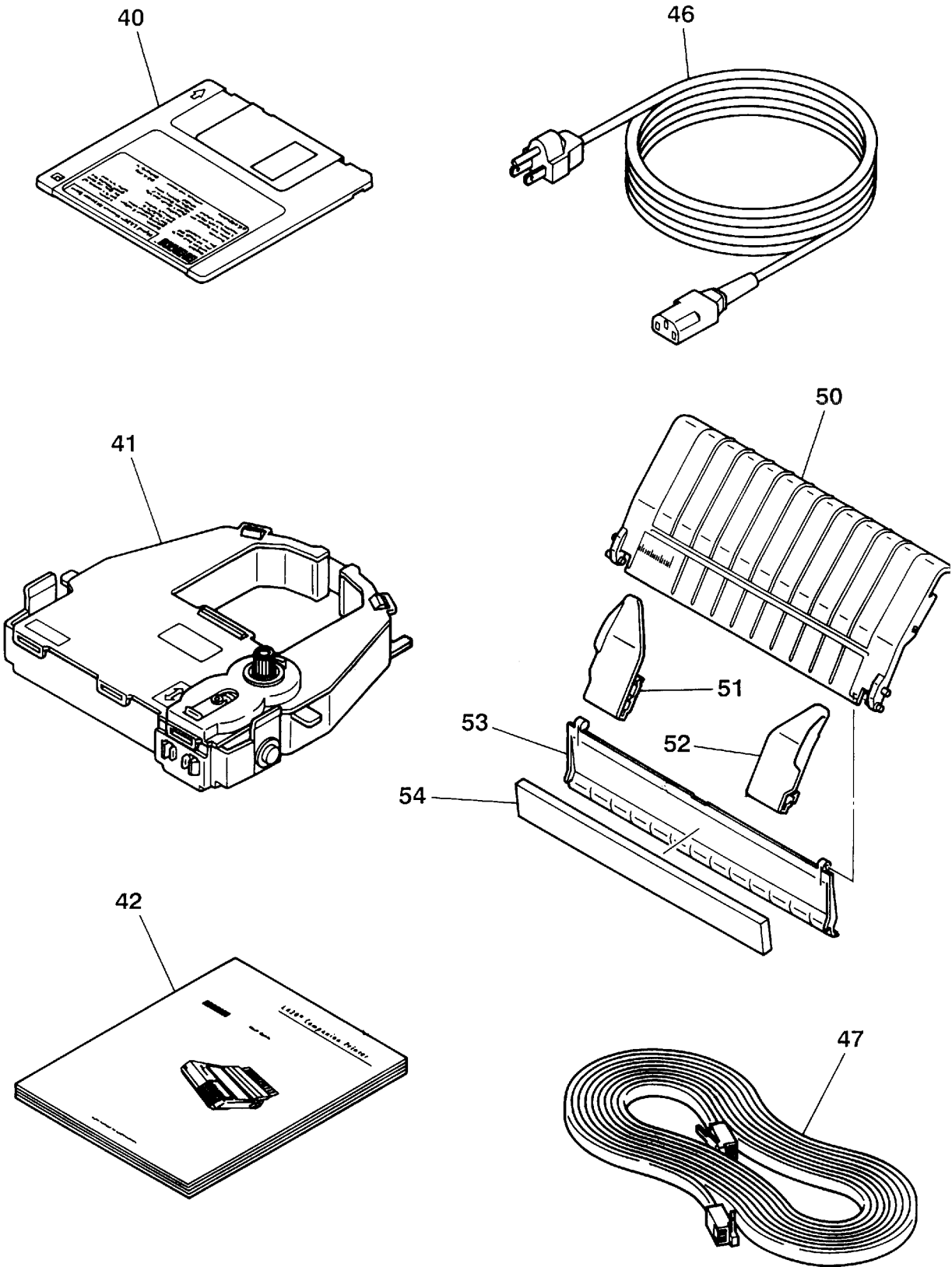
3.1 LA30N Printer



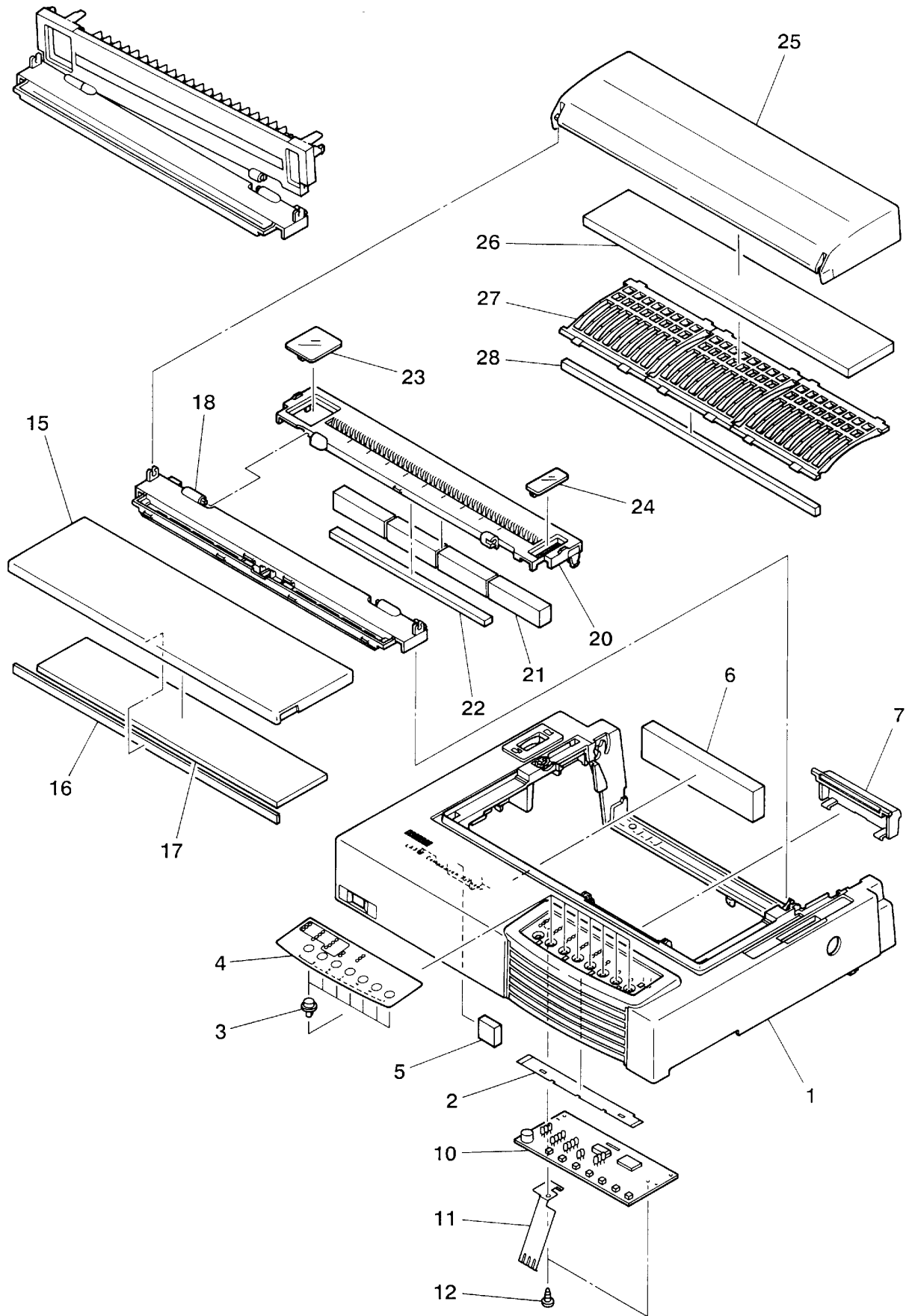
### 3.1 LA30N Printer

No.	Composition & Quantity				Vendor Specification	Parts name (Description)	Digital Parts Number
40-54	1				CA02313-H301	Accessory	
	1				CA02313-H311	Accessory	
	1				CA02313-H312	Accessory	
40		1			CA02374-D812	Printer driver	AK-QX20A-CA
41		1			CA02374-C116	Ribbon cassette	LA30R-KA
42		1			C147-E039-XXEN	Manual (English)	EK-LA30E-UG
		1				Manual (French)	EK-LA30P-UG
		1				Manual (German)	EK-LA30G-UG
		1				Manual (Italian)	EK-LA30I-UG
		1				Manual (Spanish)	EK-LA30S-UG
46		1			CA98001-5982	AC cable (110V)	
		1			CA98001-4319	AC cable (220V, Continental)	
		1			CA98001-4320	AC cable (220V, U.K.)	
		1			CA98001-5983	AC cable (220V, Australia)	
47		1			CA98001-6357	RS423 interface cable	
50-54		1			CA02313-F082	Sheet guide assembly	
50-52			1		CA02313-G082	Sheet guide assembly	29-33072-01
50			1		CA02313-Y08105	Sheet guide	
51			1		CA02312-Y08805	Sheet guide L	
52			1		CA02312-Y08905	Sheet guide R	
53-54			1		CA02313-G092	Rear cover assembly	
53			1		CA02313-Y09105	Rear cover	
54			1		CA02313-Y039	Soundproof material K	

3.1 LA30N Printer



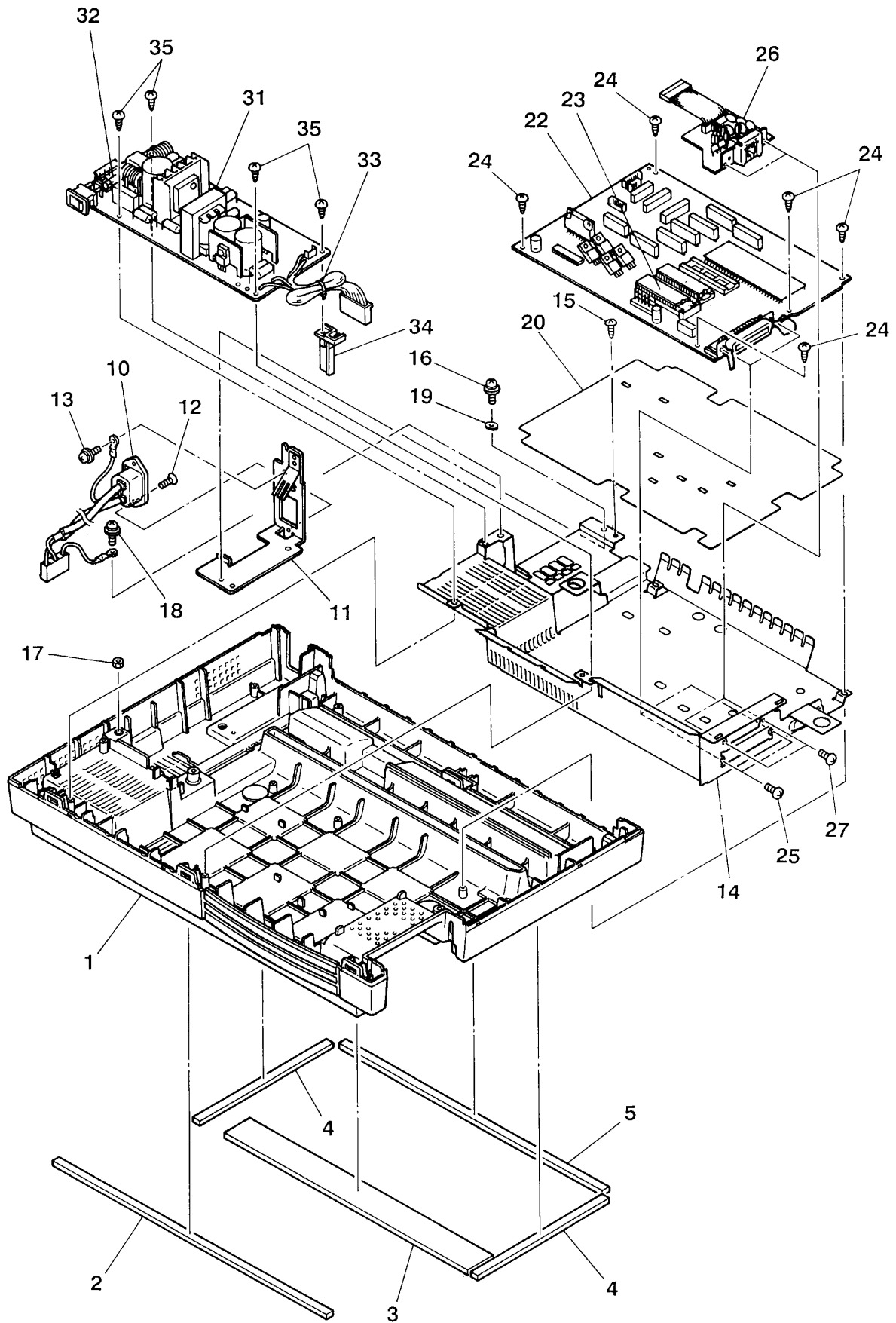
### 3.2 Upper Cover Assembly



### 3.2 Upper Cover Assembly

No.	Composition & Quantity				Vendor Specification	Parts name (Description)	Digital Parts Number
1-28	1				CA02313-F022	Upper cover assembly	
1-7	1				CA02313-G022	Upper cover assembly	
1		1			CA02313-W022	Upper cover	
2		1			CA02312-Y162	Insulation sheet	
3		7			CA02312-Y16005	OP button	
4		1			CA02313-Y191	OP sheet	
7		1			CA02312-Y15005	Font card box	
10	1				CA20160-B65X	OP Board	29-33023-01
11	1				CA02313-Y158	OP FG spring	
12	2				F6-SN2TP3-8	Tapping screw	
15-18	1				CA02313-F075	Front cover assembly	29-33042-01
15-17		1			CA02313-G072	Front cover assembly	
15			1		CA02313-Y07105	Front cover	
16			1		CA02313-Y035	Soundproof material F	
17			1		CA02313-Y036	Soundproof material G	
18		1			CA02313-Y075	Top cover F	
20-22	1				CA02313-G102	Top cover R assembly	29-33043-01
20			1		CA02313-Y102	Top cover R	
21			1		CA02313-Y067	Soundproof material R1	
22			4		CA02313-Y068	Soundproof material R2	
23	1				CA02313-Y109	Plate L	
24	1				CA02313-Y110	Plate R	
25-28	1				CA02313-G122	Acoustic cover assembly	29-33044-01
25		1			CA02313-Y12102	Acoustic cover	
26		1			CA02313-Y043	Soundproof material R	
27		3			CA02312-Y094	Rib unit	
28		1			CA02313-Y045	Soundproof material H	

### 3.3 Lower Cover Assembly

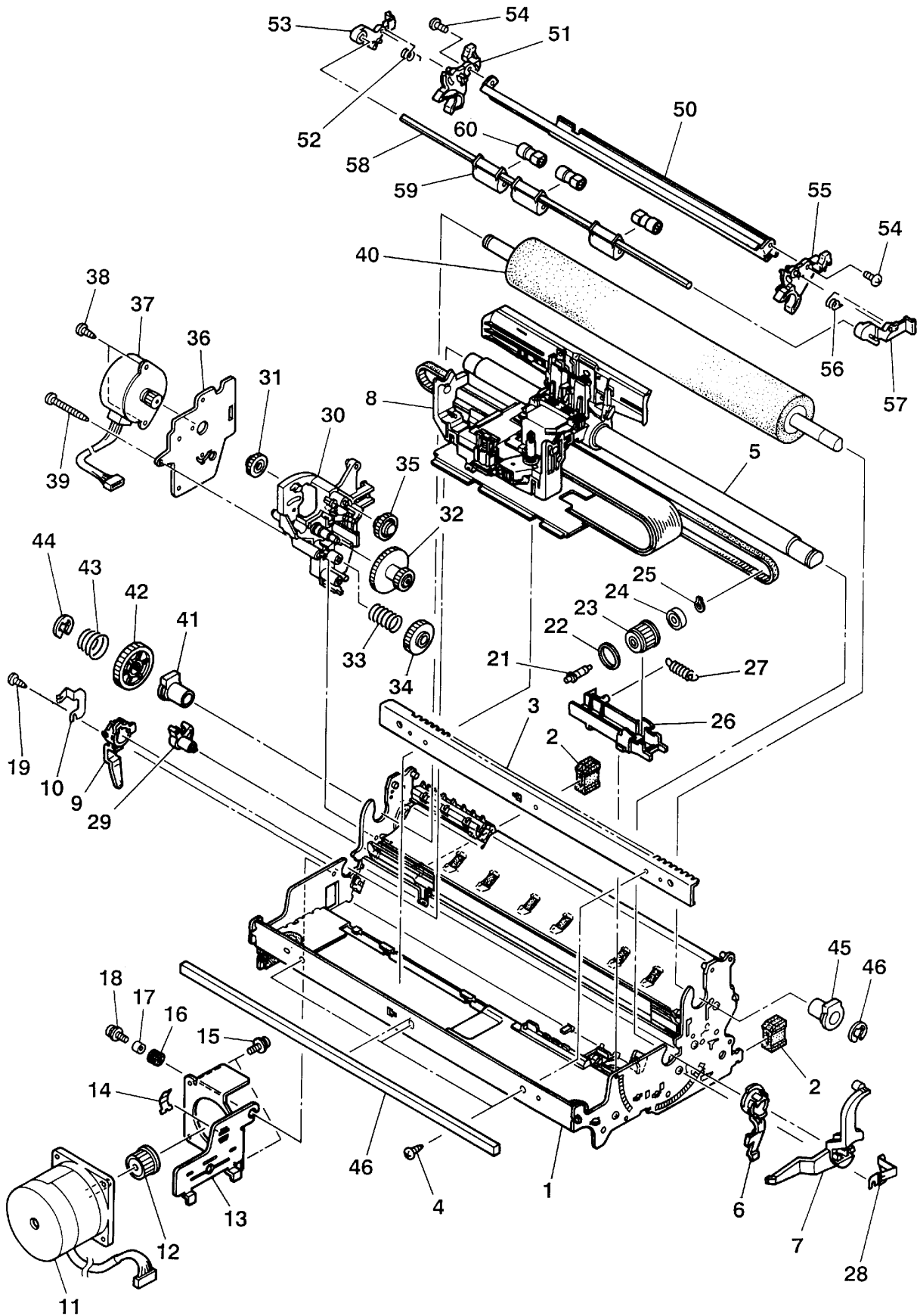




### 3.3 Lower Cover Assembly

No.	Composition & Quantity				Vendor Specification	Parts name (Description)	Digital Parts Number
1-35	1				CA02313-D301	Lower cover assembly	
	1				CA02313-D311	Lower cover assembly	
1-5	1				CA02313-G002	Lower cover assembly	
1		1			CA02313-Y00105	Lower cover assembly	
2		1			CA02313-Y060	Soundproof material L0	
3		1			CA02313-Y061	Soundproof material L1	
4		2			CA02313-Y062	Soundproof material L2	
5		1			CA02313-Y063	Soundproof material L3	
9-13	1				CA02313-F018	AC inlet assembly	
9		1			CA02312-G010	AC inlet assembly	
10		1			CA02313-G018	AC bracket assembly	
11		2			CA98001-5917	Tapping screw	
12		1			CA98001-6504	Tapping screw	
14	1				CA02313-Y011	Shield plate	
15	1				F6-SN2TP3-8	Tapping screw	
16	1				CA98001-6504	Tapping screw	
17	1				F6-N14-111	Nut	
18	1				F6-SW2N4-08121	Screw	
19	1				F6-WB4-121	Washer	
20	1				CA02313-Y005	Insulation sheet	
21	1				CA02313-Y159	OP cable holder	
22-23	1				CA02312-J301	Main board with ROM	29-33022-01
22		1			CA20160-B30X	Main board	
23		1			CA02312-J30X	ROM board SK	
24	5				F6-SN2TP3-8	Tapping screw	
25	2				F6-SNA3-06111	Screw	
26	1				CA20160-B70X	RS423 board	29-33024-01
27	2				F6-SW2N2R5-061	Screw	
31-32	1				CA20167-B00X	Power supply (110V)	29-33026-01
32		1			CA98001-2878	Fuse (125V,6A)	29-33029-01
31-32	1				CA20167-B50X	Power supply (220V)	29-33027-01
32		1			CA98001-3430	Fuse (250V, 3.15A)	29-33030-01
33	1				F6-NYBT1	Nylon band (for 220V only)	
34	1				CA02313-Y014	Rod	
35	4				F6-SN2TP3-8	Screw	

### 3.4 Mechanism Assembly



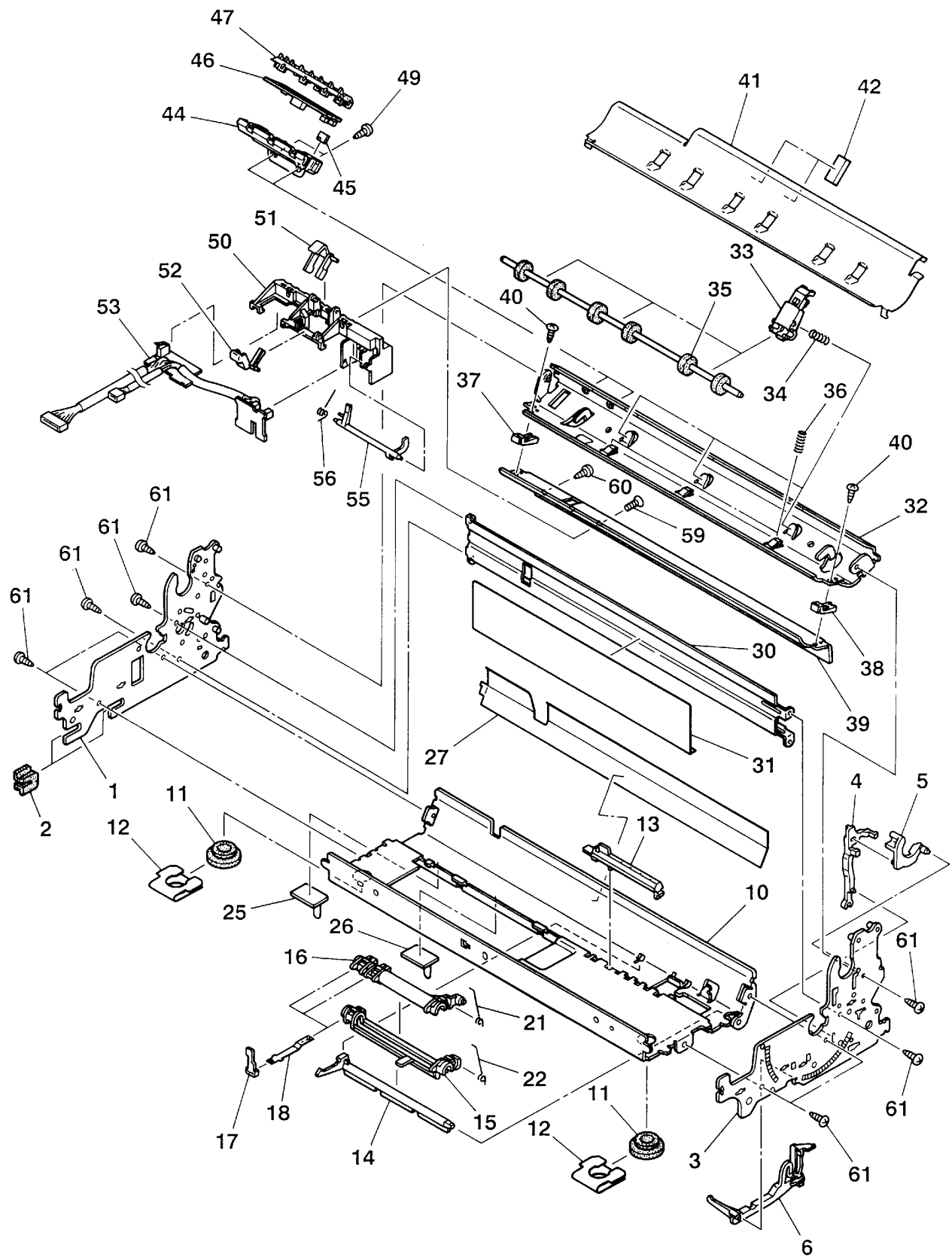
### 3.4 Mechanism Aassembly

No.	Composition & Quantity				Vendor Specification	Parts name (Description)	Digital Parts Number
1-46	1				CA02312-F218	Printer mecha assembly	29-33035-01
1	1				CA02312-F217	Frame sub assembly	
2	2				CA02312-Z250	Rubber Bush	
3	1				CA02312-Y21201	Front stay	
4	3				CA98001-5912	Tapping screw	
5-7	1				CA02312-F302	Stay shaft assembly	
5		1			CA02312-Y302	Stay shaft	
6		1			CA02312-Y305	Copy control lever	29-33069-01
7		1			CA02312-Y308	Adjust lever R	
8	1				CA02312-F356	Carrier unit	29-33040-01
9	1				CA02312-Y307	Adjust lever L	
10	1				CA02312-Y304	FG shaft spring	
11-16	1				CA02312-F314	SP motor A assembly	
11-12		1			CA02312-G313	SP motor A assembly	29-33033-01
11			1		CA81003-1054	SP motor A	
12			1		K860-2006-X202	Drive pulley	
13		1			CA02312-Y31410	Bracket A	
14		1			CA02312-Y306	FG plate A	
15		2			F6-SW2N4-10111	Screw	
16		1			CA02312-Y310	Rubber bush	
17	1				CA02312-Y313	Spacer A	
18	1				F6-SW2N3-08111	Screw	
19	1				CA98001-5912	Tapping screw	
21-25	1				CA02312-G346	Tension pulley	
21		1			CA02312-Y347	Shaft	
22		1			CA02312-Y346	Flange	
23		1			CA02312-Y336	Tension pulley	
24		1			CT-R-1450ZZ	Bearing	
25		1			CA98001-3674	C ring	
26	1				CA02312-Y331	Tension bracket	
27	1				CA02312-Y332	Tension spring	
28	1				CA02312-Z304	FG shaft spring	
29	1				CA02312-Y531	Cam	
30-39	1				CA02312-F413	Gear assembly	
30		1			CA02312-Y410	Gear holder	
31		1			CA02312-Y421	Gear A	
32		1			CA02312-Y422	Gear B	
33		1			CA02312-Y426	Gear spring	
34		1			CA02312-Y425	Gear C	
35		1			CA02312-Y424	Gear D	
36		1			CA02312-Y40301	Motor bracket	
37		1			CA81003-1052	LF motor	29-33034-01
38		2			CA98001-5912	Tapping screw	
39	1				CA98001-5918	Tapping screw	

### 3.4 Mechanism Assembly

No.	Composition & Quantity				Vendor Specification	Parts name (Description)	Digital Parts Number
40-44	1				CA02312-F508	Platen assembly	29-33036-01
40		1			CA02312-G509	Platen roll	
41			1		CA02312-Y506	Platen collar	
42				1	CA02312-Y508	Platen gear	
43				1	CA02312-Y505	Platen spring	
44				1	F6-ER8-SUS	E ring	
45	1				CA02312-Y506	Platen collar	
46		1			F6-ER8-SUS	E ring	
50-60	1				CA02313-F161	Bail unit	29-33068-01
50		1			CA02313-Y165	Bail stay	
51			1		CA02313-Y164	Bail frame R	
52				1	CA02312-Y657	Spring R	
53				1	CA02313-Y162	Bail lever R	
54		2			F6-SNA3-06111	Screw	
55			1		CA02313-Y163	Bail frame L	
56				1	CA02312-Y658	Spring L	
57				1	CA02313-Y161	Bail lever L	
58				1	CA02313-Y166	Bail shaft	
59		3			CA02312-Y655	Bail holder	
60			3		D860-1156-X327	Bail roller	

### 3.5 Frame Sub Assembly



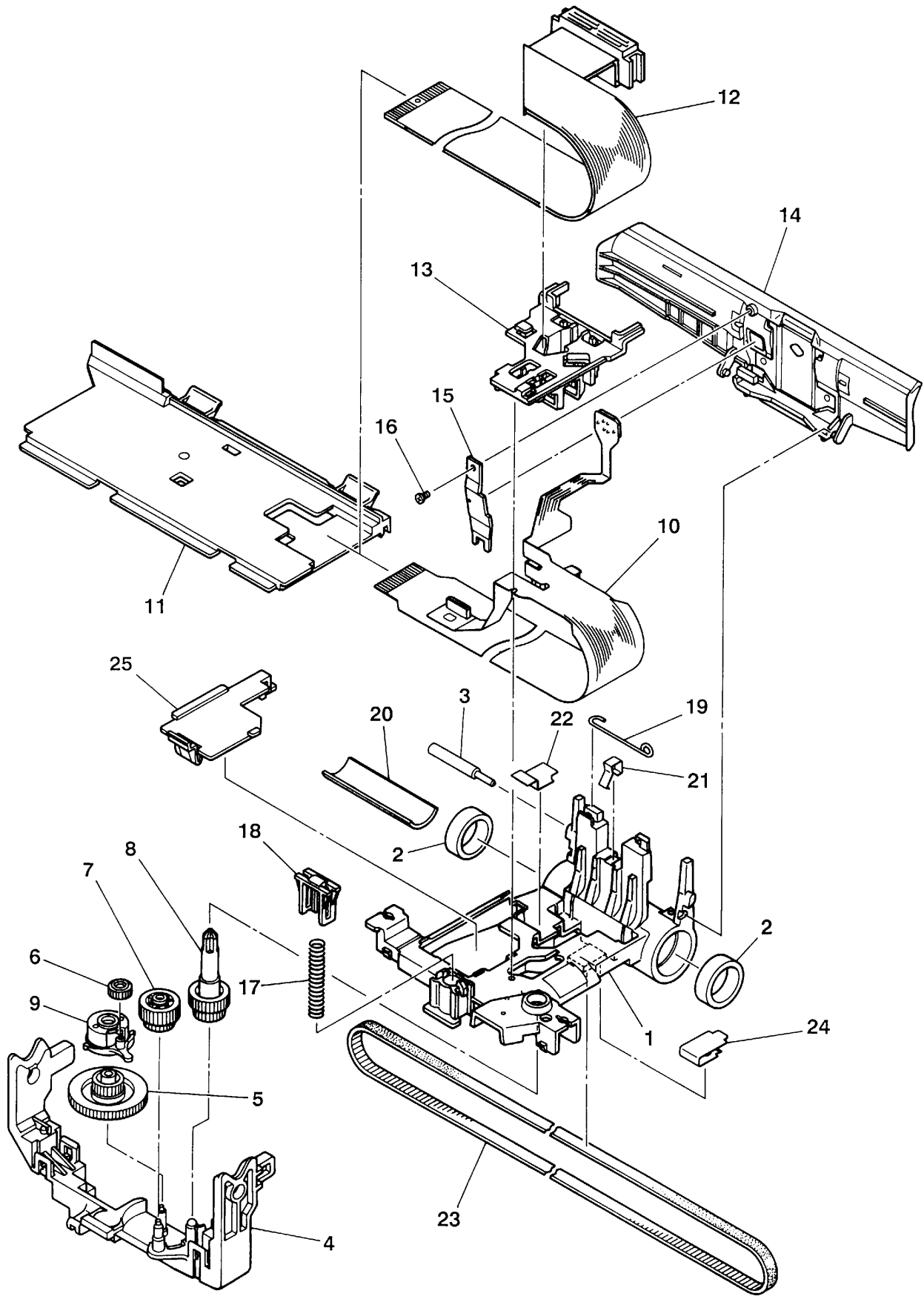
### 3.5 Frame Sub Assembly

No.	Composition & Quantity				Vendor Specification	Parts name (Description)	Digital Parts Number
1-61	1				CA02312-F217	Frame sub. assembly	
1	1				CA02312-G210	Side frame L	
2	2				CA02312-Y311	Rubber bush	
3-6	1				CA02312-F216	Side frame R assembly	
3	1				CA02312-G211	Side frame R	
4	1				CA02312-Y264	Actuator C	
5	1				CA02312-Y269	Actuator H	
6	1				CA02312-Y265	Actuator T	
10-27	1				CA02312-F234	Mainstay assembly	
10	1				CA02313-Y23501	Mainstay	
11	2				CA02313-Y007	Rubber foot B	
12	2				CA02313-Y006	FG spring	
13	1				CA02312-Y227	Shield plate R	
14	1				CA02312-Y261	Detect shaft	
15	1				CA02312-Y263	Shield plate T	
16	1				CA02312-Y262	Shield plate C	
17	3				CA02312-Y267	Shield plate M	
18	3				CA02312-Y266	Spring P	
21	1				CA02312-Y268	Spring S	
22	1				CA02312-Y270	Spring T	
25	1				CA98001-1958	Cord clamp	
26	1				CA98001-0875	Cable clamp	
27	1				CA02312-Z243	Bottom sheet	
30-31	1				CA02312-G247	Bottom plate	
30	1				CA02312-Y24601	Bottom plate	
31	1				CA02312-Y247	Bottom sheet	
33-41	1				CA02312-F237	Paper feeder assembly	
32	1				CA02312-Y23801	Rear stay T	
33	3				CA02312-Y517	Holder T	
34	3				CA02312-Z515	Roller spring R	
35	1				CA02312-G511	Feed roller	29-33074-01
36	2				CA02312-Y529	Spring T	
37	1				CA02312-Y236	Spacer L	
38	1				CA02312-Y237	Spacer R	
39	1				CA02312-Y24001	Rear stay B	
40	2				CA98001-5912	Tapping Screw	
41-42	1				CA02312-G522	Paper cradle assembly	
41	1				CA02312-Y522	Paper cradle	
42	2				CA02312-Y521	Cushion	
44-47	1				CA02312-G542	Sensor T assembly	29-33025-01
44	1				CA02312-Y544	Sensor case B	
45	1				CA02312-Y540	Cover R	
46	1				CA02312-G543	Sensor T sub. assembly	
47	1				CA02312-Y543	Sensor case A	
49	2				CA98001-5912	Tapping screw	

### 3.5 Frame Sub Assembly

No.	Composition & Quantity				Vendor Specification	Parts name (Description)	Digital Parts Number
50-56			1		CA02312-F561	Sensor assembly	29-33028-01
50			1		CA02312-Z555	PCB holder	
51			1		CA02312-Y554	Sensor lever	
52			1		CA02312-Y556	Sensor lever B	
53			1		CA02312-G561	Sensor sub. assembly	
55			1		CA02312-Z564	Lever	
56			1		CA02312-YZ565	Spring	
59		1			CA98001-6363	Tapping screw	
60		1			CA98001-6364	Tapping screw	
61	7				CA98001-5912	Tapping screw	

### 3.6 Carrier Unit

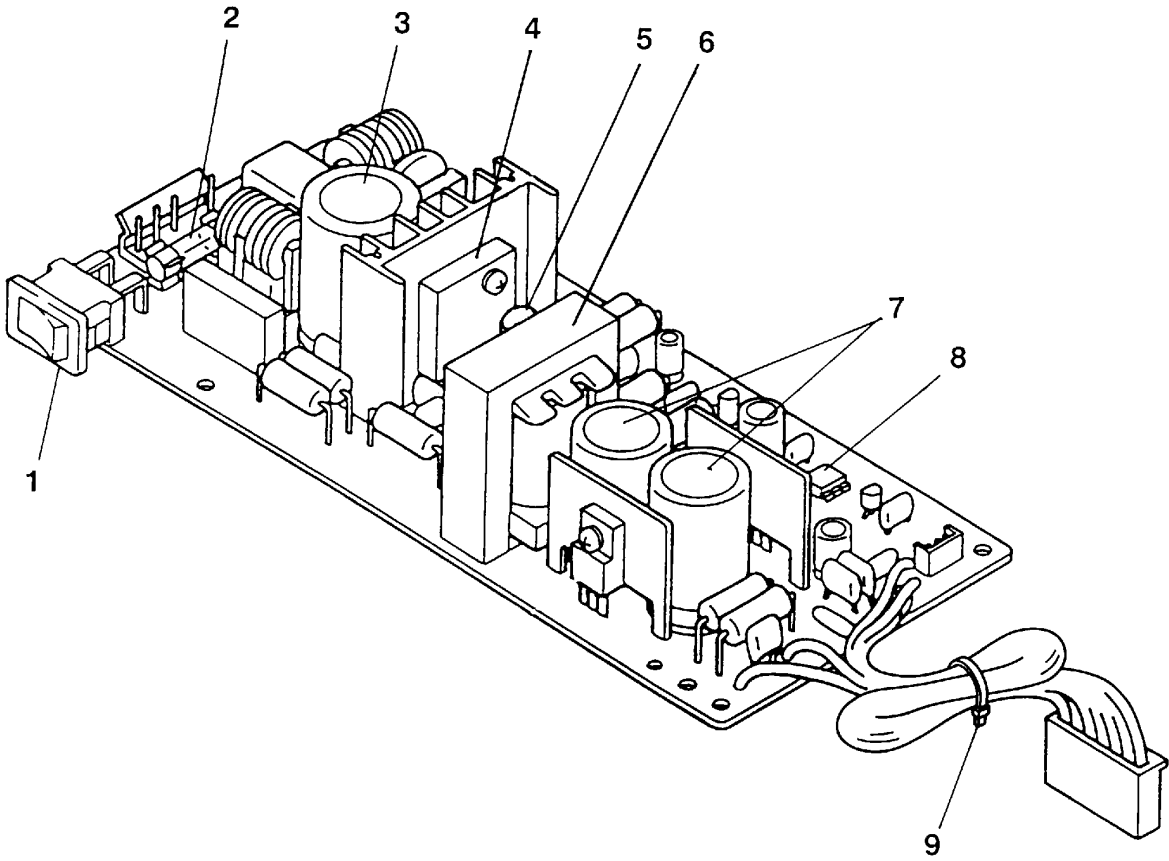




### 3.6 Carrier Unit

No.	Composition & Quantity					Vendor Specification	Parts name (Description)	Digital Parts Number
1-25	1					CA02312-F356	Carrier unit	29-33040-01
1-3	1					CA02312-G353	Carrier frame	
1-2		1				CA02312-G350	Carrier frame	
1			1			CA02312-Y350	Carrier frame	
2				2		CA02312-Y352	Bush	
3		1				CA02312-Y359	Shaft L	
4-9	1					CA02312-F360	Ribbon feed assembly	
4		1				CA02312-Y354	Ribbon Bracket	
5		1				CA02312-Y361	RF gear	
6		1				D860-1164-X330	Gear C	
7		1				CA02312-Y363	Idol gear	
8		1				CA02312-G366	RF gear assembly	
9		1				CA02312-Y365	Arm	
10	1					CA02312-G380	Relay cable assembly	29-33075-01
11	1					CA02312-Y223	Connector cover	
12	1					CA02312-G387	Carrier cable assembly	29-33076-01
13	1					CA02312-Y384	Belt holder	
14	1					CA02312-G375	Card guide assembly	29-33070-01
15	1					CA02312-Z373	Sensor bracket	
16	1					CA98001-3453	Screw	
17	1					CA02312-Y378	Ribbon spring	
18	1					CA02312-Y396	Ribbon spring holder	
19	1					CA02312-Y356	Spring	
20	1					D860-1164-X304	Felt	
21	1					D860-1164-X317	Leaf spring	
22	1					CA02312-Y383	Insulating sheet A	
23	1					CA81003-1063	Timing Belt	29-33073-01
24	1					CA02312-Y386	Belt clamp	
25	1					CA02312-Y388	Cover C	

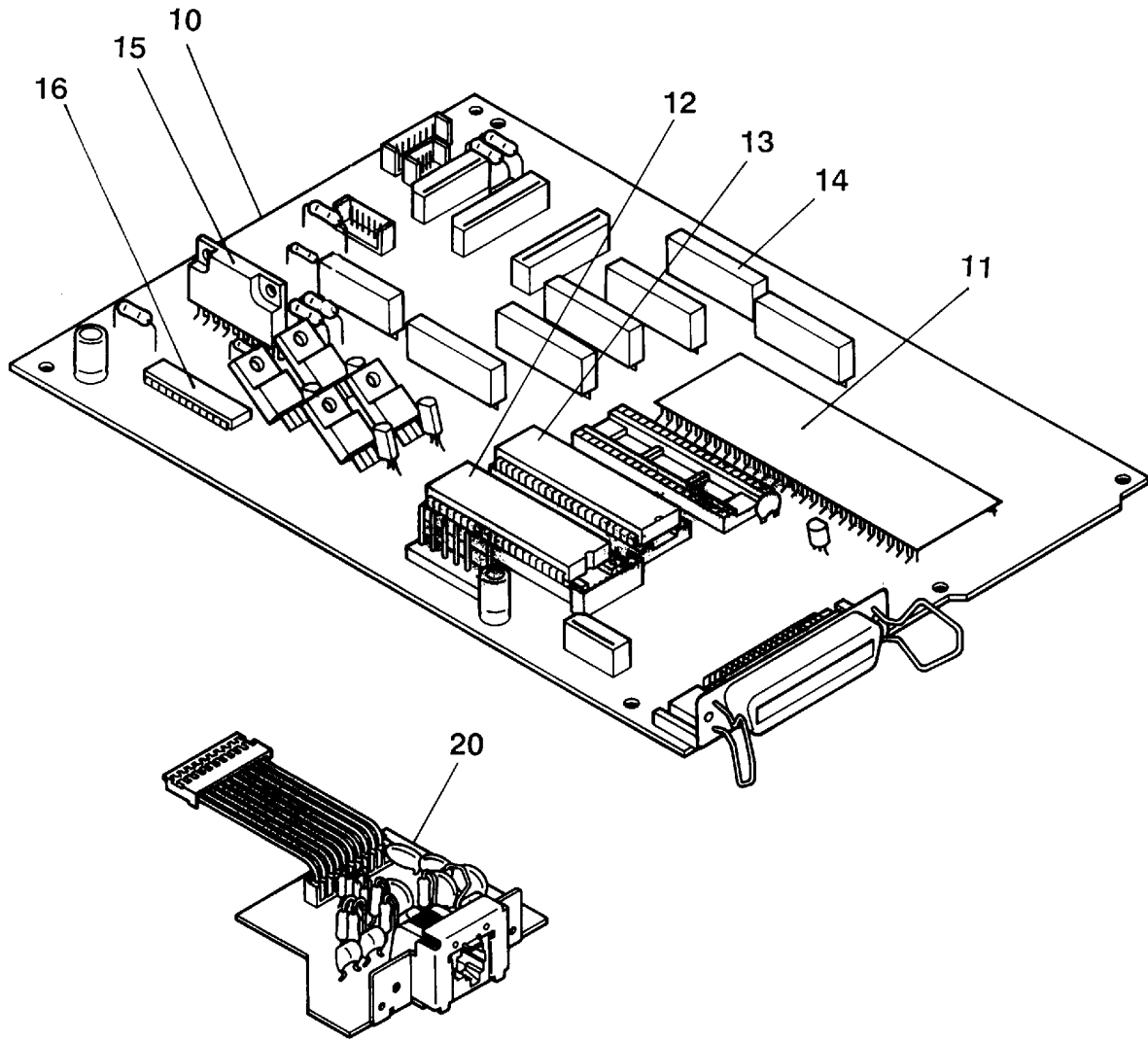
3.7 Power Supply Unit



### 3.7 Power Supply Unit

No.	Composition & Quantity					Vendor Specification	Parts name (Description)	Digital Parts Number
1-8	1					CA20167-B00X	Power supply (110V)	29-33026-01
1	1					CA98001-2586	AC switch	
2	1					CA98001-2878	Fuse (125V, 6A)	29-33029-01
3	1					CA98001-2602	C03	
4	1					CA98001-2611	IC1	
5	1					CA98001-2604	C08	
6	1					CA55002-0069	T01	
7	1					CA98001-2603	C58,C59	
8	1					C50L-6030-0401	PSCRI	
1-8	1					CA20167-B50X	Power supply (220V)	29-33027-01
1	1					CA98001-2586	AC switch	
2	1					CA98001-3430	Fuse (250V, 3.15A)	29-33030-01
3	1					CA98001-2981	C03	
4	1					CA98001-2973	IC1	
5	1					CA98001-2604	C08	
6	1					CA55002-0232	T01	
7	1					CA98001-2603	C58,C59	
8	1					CA98001-0962	PSCRI	
9	1					F6-NYBT1	Nylon band (for 220V only)	

### 3.8 Control Board

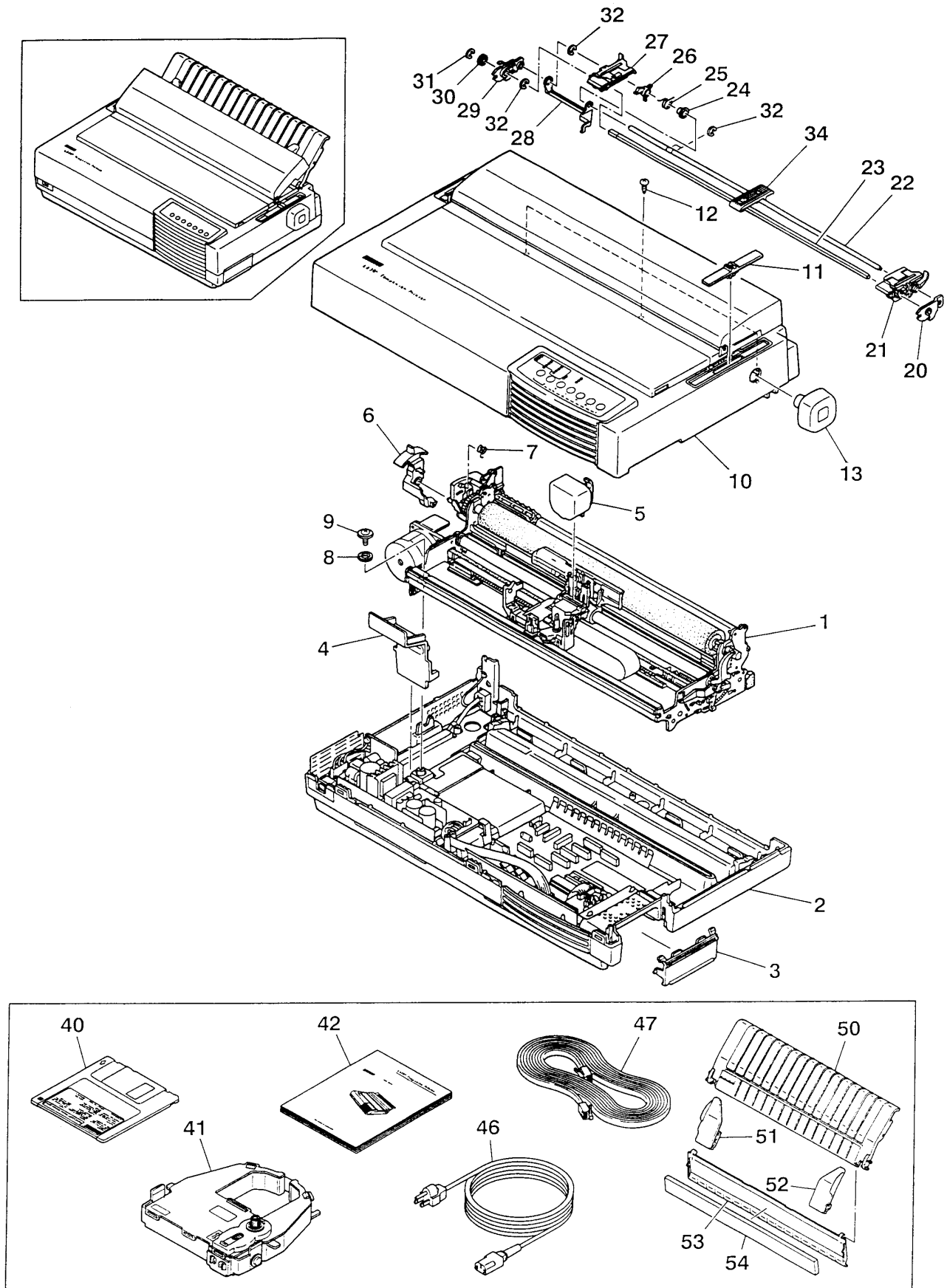


### 3.8 Control Board

No.	Composition & Quantity						Vendor Specification	Parts name (Description)	Digital Parts Number
10-13	1						CA02312-J301	Main board with ROM	29-33022-01
10	1					CA25160-B303	Main board (RC95AA)		
10	1					CA25160-B30301	P.C.B.		
11	1					CA20160-B901	LGHIC		
12	-					CA02312-J301	ROM Board sk		
12	1					CA46006-5800	IC1		
13	1					CA46006-4952	IC3		
14	6					CT-SMA4032- LF1002-SANKEN	FT1-FT6		
15	1					C76L-1170-0136	HIC1		
16	1					CA46005-4001	HIC2		
20	1					CA20160-B70X	RS423 Board	29-33024-01	

# 4. LA30W PARTS LIST AND PARTS DRAWING OF PRINTER MECHANISM

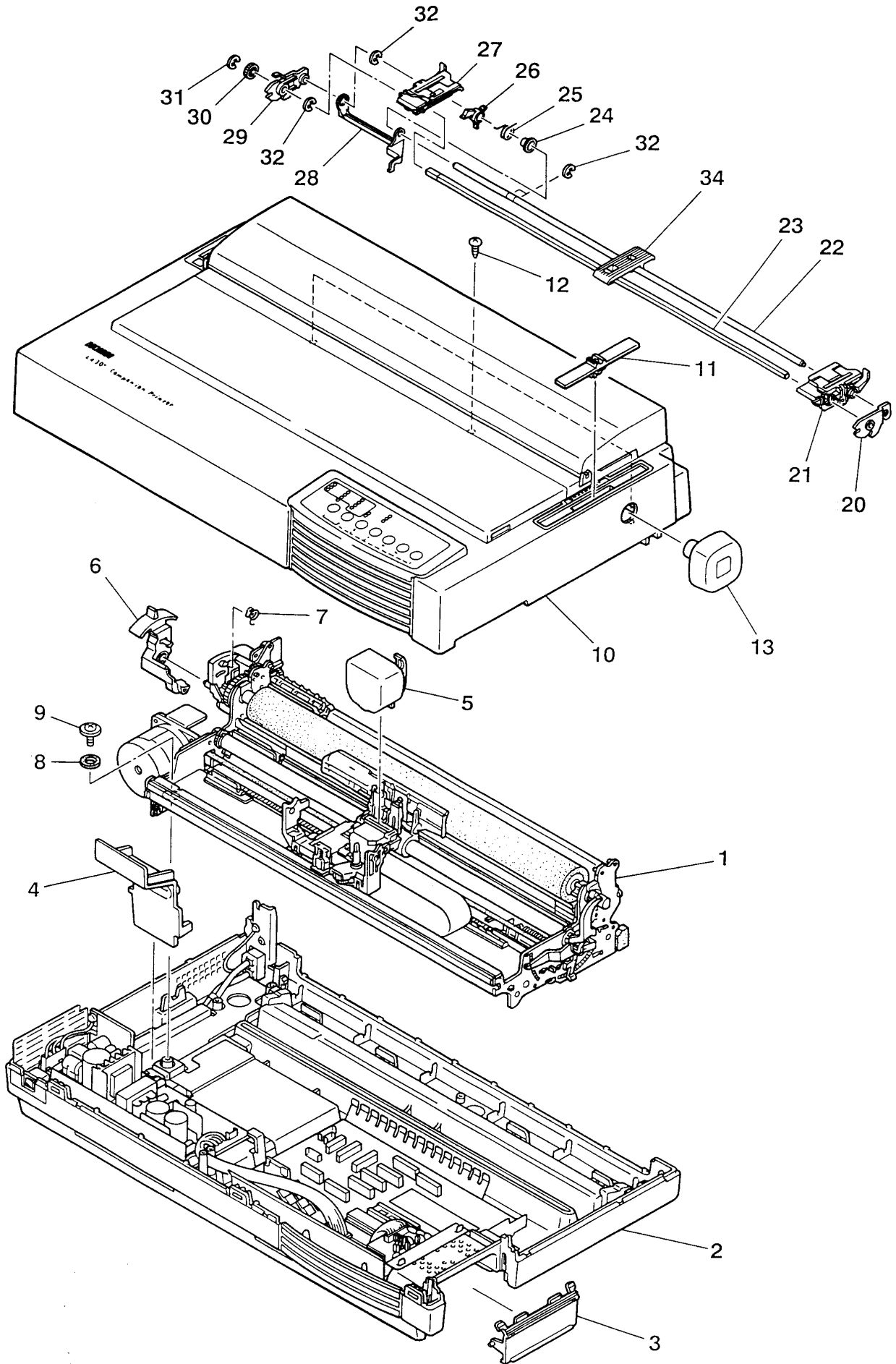
## 4.1 LA30W Printer



#### 4.1 LA30W Printer

No.	Composition & Quantity				Vendor Specification	Parts name (Description)	Digital Parts Number
1-54	1				CA02312-B301	LA30W (Centro+RS423)	LA30W-CA
	1				CA02312-B311	LA30W (Centro+RS423)	LA30W-B3
	1				CA02312-B312	LA30W (Centro+RS423)	LA30W-AZ
1-34	1				CA02312-C301	Printer (Centro+RS423)	
	1				CA02312-C311	Printer (Centro+RS423)	
1		1			CA02312-F258	Printer mecha. assembly	29-33214-01
2		1			CA02312-D301	Lower cover assembly	
		1			CA02312-D311	Lower cover assembly	
3		1			CA02312-Y07005	Side cover	29-33071-01
4		1			CA02312-Y079	Plate	
5		1			CA02281-F612	Print head	29-33031-01 (LA30X-PH)
		1			CA02312-Y42005	Change lever	29-33038-01
7		1			CA02312-Y427	PS spring	29-33039-01
8		2			CA02312-Y128	Rubber bush	
9		2			D860-1156-X819	Screw	
10		1			CA02312-F036	Upper cover assembly	
11		1			CA02312-Y19005	Lever	29-33077-01
12		3			F6-SN2TP3-10	Tapping screw	
13		1			CA02312-Y19905	Platen knob	29-33037-01
20-34		1			CA02312-F560	Tractor unit	29-33218-01
20		1			CA02312-Y593	Tractor frame R	
21		1			CA81003-109501	Tractor unit L	
22		1			CA02312-Y591	Tractor shaft	
23		1			CA02312-Y596	Tractor S. shaft	
24		1			CA02312-Y562	Sleeve	
25		1			CA02312-Y563	Lever spring	
26		1			CA02312-Y560	PE lever	
27		1			CA81003-109502	Tractor unit R	
28		1			CA02312-Y561	Actuator	
29		1			CA02312-Y594	Tractor frame L	
30		1			CA02312-Y598	Tractor gear	
31		1			F6-ER5-SUS	E ring	
32		4			F6-ER4-SUS	E ring	
34		1			CA02312-Y597	Center guide	

# 4.1 LA30W Printer

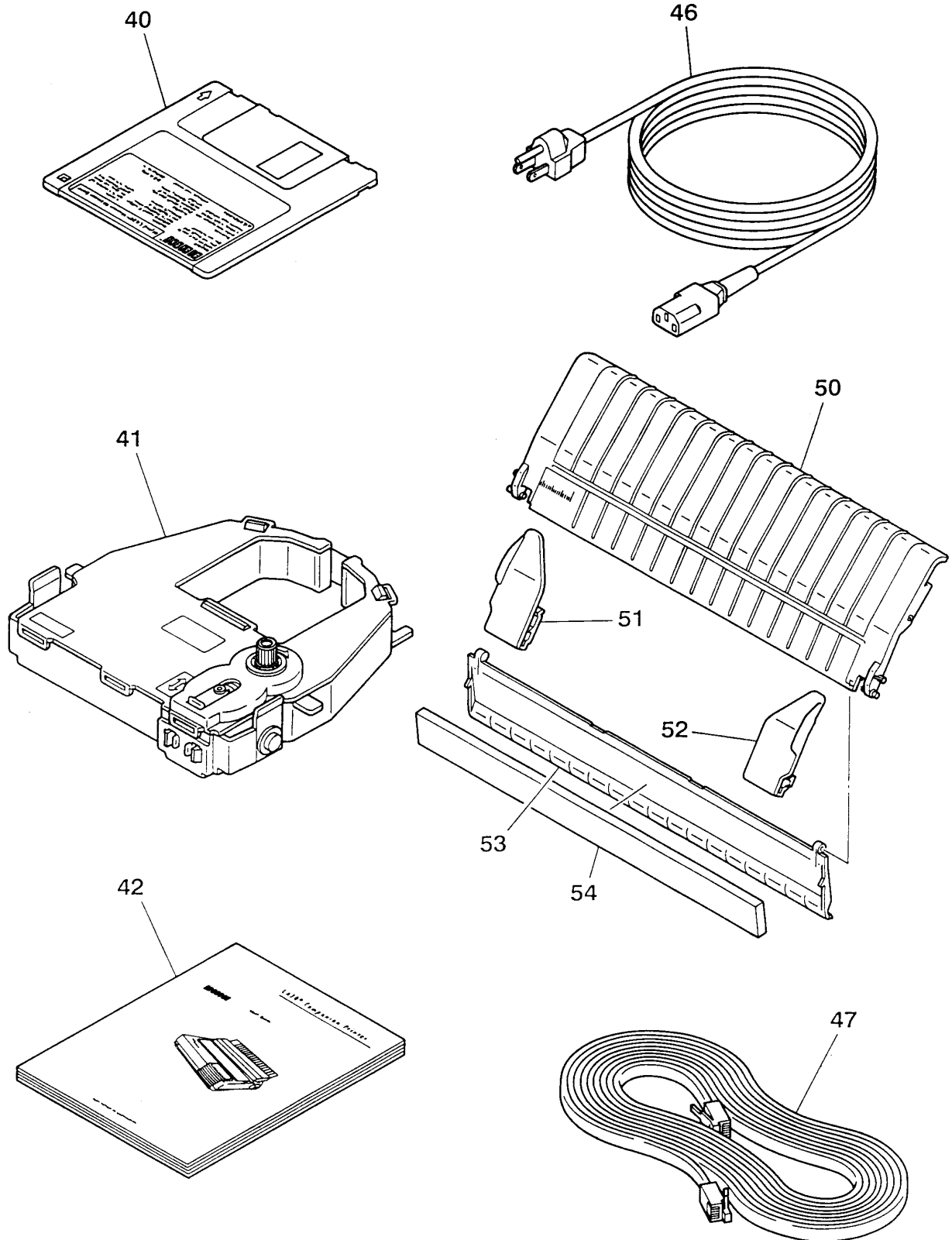




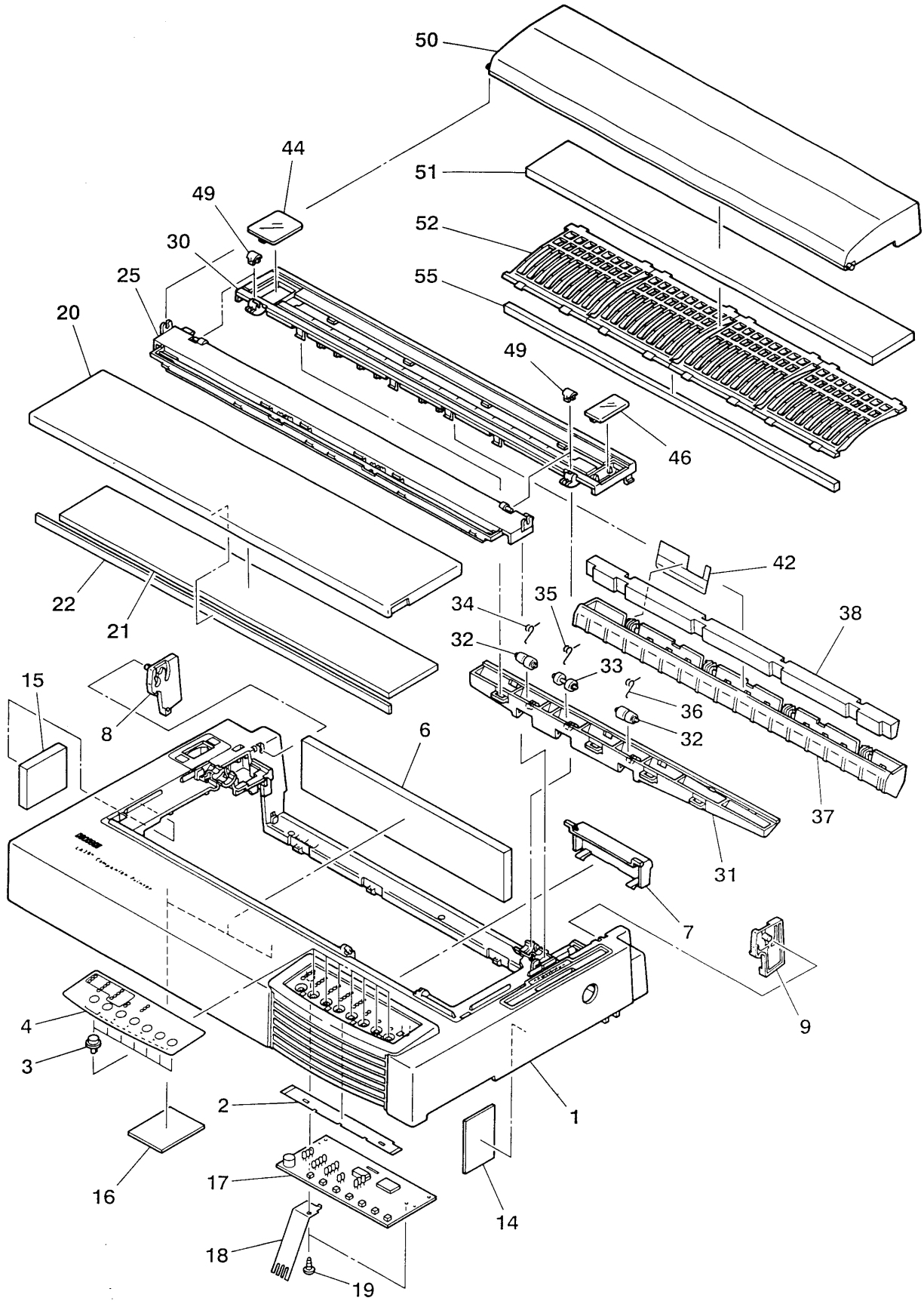
#### 4.1 LA30W Printer

No.	Composition & Quantity				Vendor Specification	Parts name (Description)	Digital Parts Number
40-54	1				CA02312-H301	Accessory	
	1				CA02312-H311	Accessory	
	1				CA02312-H312	Accessory	
40	1				CA02374-D812	Printer driver	AK-QX20A-CA
41	1				CA02374-C116	Ribbon cassette	LA30R-KA
42	1				C147-E039-XXEN	Manual (English)	EK-LA30E-UG
	1					Manual (French)	EK-LA30P-UG
	1					Manual (German)	EK-LA30G-UG
	1					Manual (Italian)	EK-LA30I-UG
	1					Manual (Spanish)	EK-LA30S-UG
46	1				CA98001-5982	AC cable (110V)	
	1				CA98001-4319	AC cable (220V, Continental)	
	1				CA98001-4320	AC cable (220V, U.K.)	
	1				CA98001-5983	AC cable (220V, Australia)	
47	1				CA98001-6357	RS423 interface cable	
50-54	1				CA02312-F122	Sheet guide assembly	
50-52		1			CA02312-G122	Sheet guide assembly	29-33222-01
50		1	1		CA02312-Y08105	Sheet guide	
51		1	1		CA02312-Y08805	Sheet guide L	
52		1	1		CA02312-Y08905	Sheet guide R	
53-54		1			CA02312-G146	Rear cover assembly	
53		1	1		CA02312-Y14605	Rear cover	
54		1	1		CA02312-Z123	Soundproof material B	

## 4.1 LA30W Printer



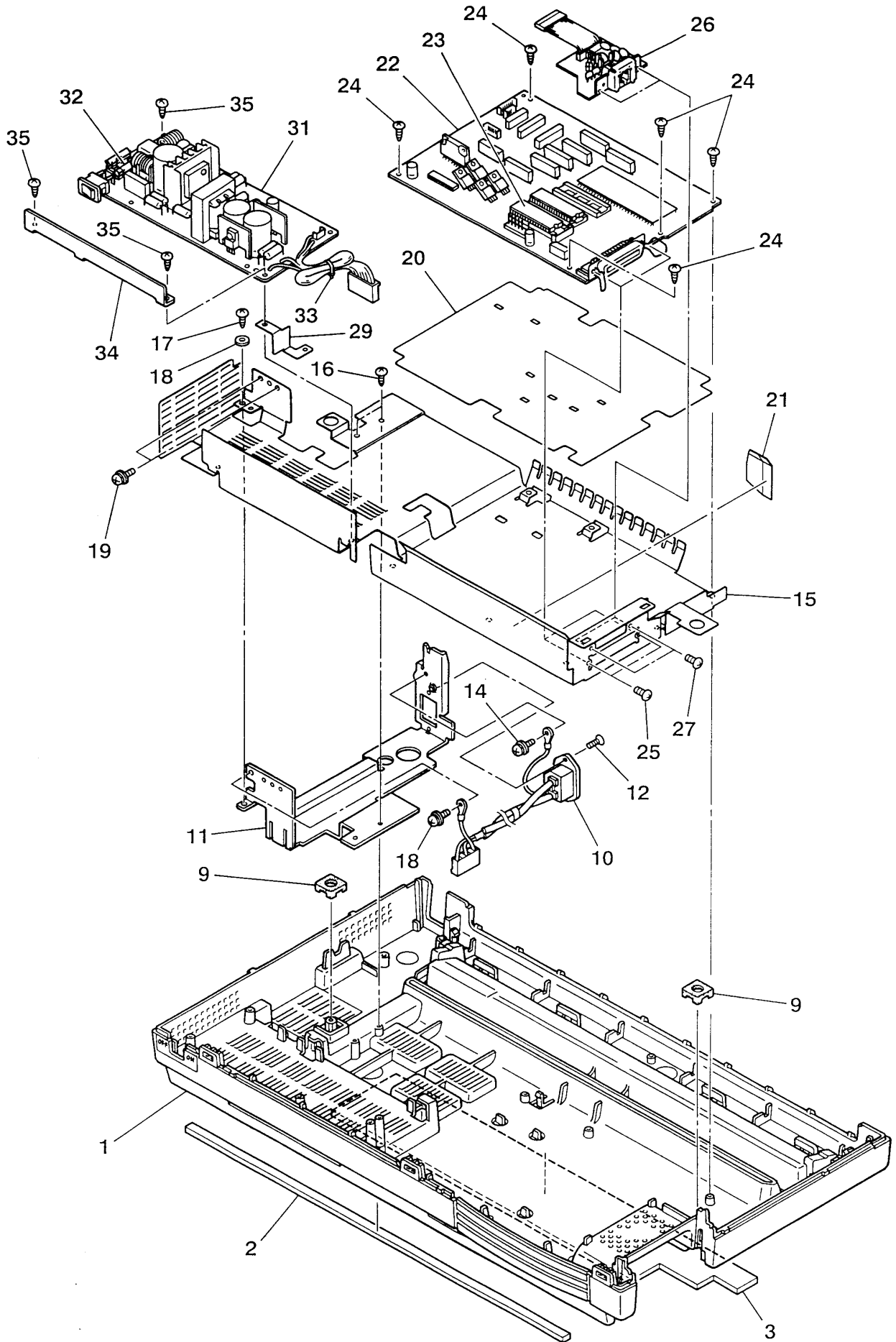
## 4.2 Upper Cover Assembly



## 4.2 Upper Cover Assembly

No.	Composition & Quantity				Vendor Specification	Parts name (Description)	Digital Parts Number
1-55	1				CA02312-F036	Upper cover assembly	
1-19	1				CA02312-G036	Upper cover assembly	
1		1			CA02312-W022	Upper cover	
2		1			CA02312-Y162	Insulation sheet	
3		7			CA02312-Y16005	OP button	
4		1			CA02313-Y191	OP sheet	
6		1			CA02312-Y113	Soundproof material E	
7		1			CA02312-Y15005	Font card box	
8		1			CA02312-Y14305	Holder L	
9		1			CA02312-Y14405	Holder R	
14		1			CA02312-Z111	Soundproof material T	
15		1			CA02312-Z112	Soundproof material U	
16		3			CA02313-Y064	Damper P3	
18	1				CA02312-Y158	OP FG Spring	
17	1				CA20160-B65X	OP Board	29-33023-01
19	2				F6-SN2TP3-8	Tapping screw	
20-49	1				CA02312-F062	Top cover assembly	
20-25		1			CA02312-F045	Front cover assembly	29-33219-01
20-22			1		CA02312-G045	Front cover assembly	
20			1		CA02312-Y04505	Front cover	
21			1		CA02312-Y115	Soundproof material F	
22			1		CA02312-Z115	Soundproof material M	
25			1		CA02312-Y06202	Top cover F	
30-46		1			CA02312-G075	Top cover R assembly	29-33220-01
30		1			CA02312-Z07102	Transparent cover RA	
31		1			CA02312-Y07202	Transparent cover RB	
32		2			CA02312-Y586	Bail rollar	
33		1			CA02312-Y580	Bail rollar	
34		1			CA02312-Z585	Spring	
35		1			CA02312-Z587	Spring L	
36		1			CA02312-Z588	Spring R	
37		1			CA02312-Y07302	Transparent cover RC	
38		1			CA02312-Y117	Soundproof material R	
42		1			CA02312-Y077	Guide sheet	
44		1			CA02312-Y06502	Plate L	
46		1			CA02312-Y06602	Plate R	
49		2			CA02312-Z07402	Holder	
50-55	1				CA02312-G092	Acoustic cover assembly	29-33221-01
50		1			CA02312-Z09102	Acoustic cover	
51		1			CA02312-Z136	Soundproof material N2	
52		4			CA02312-Y094	Rib unit	
55		1			CA02312-Y137	Soundproof material H	

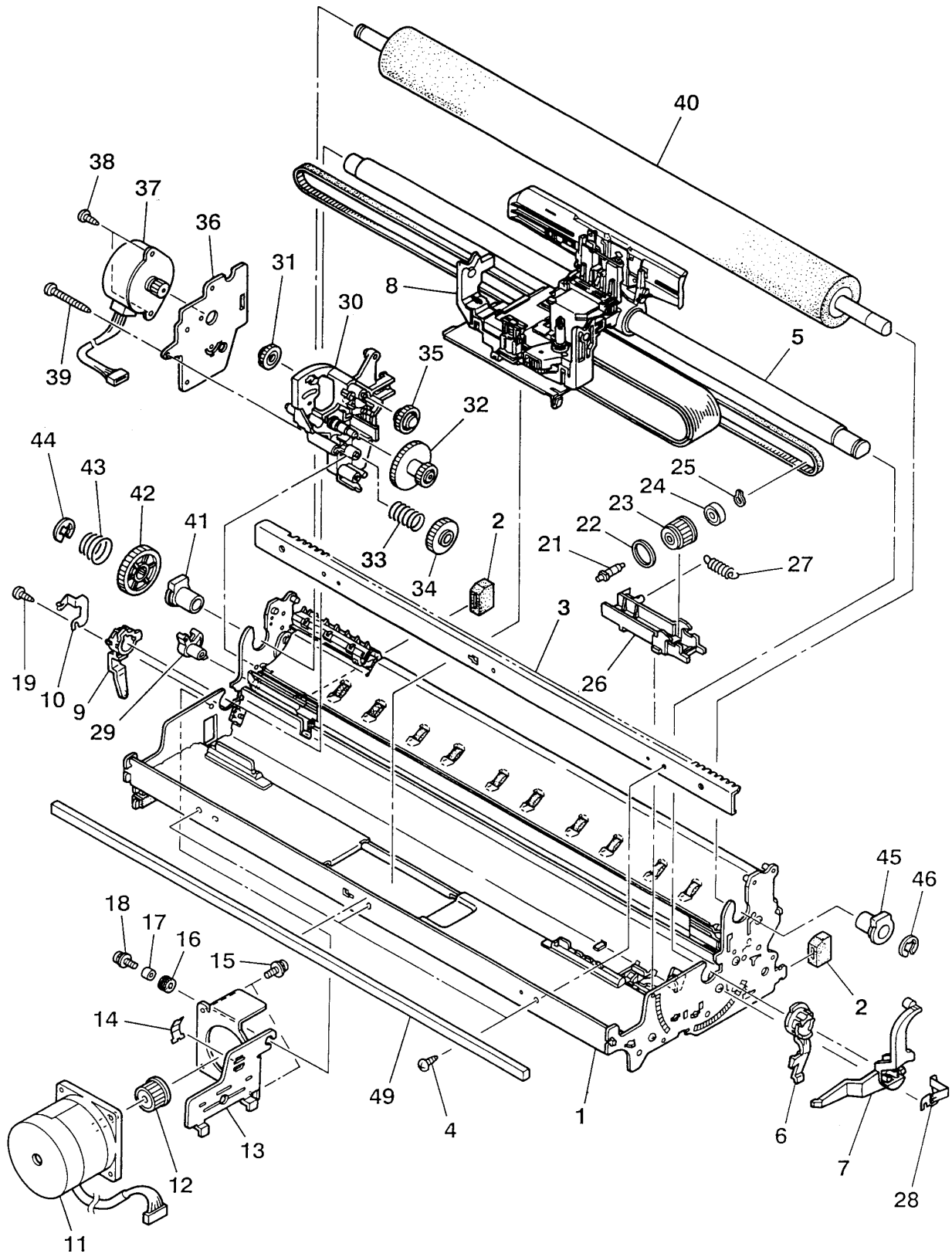
### 4.3 Lower Cover Assembly



### 4.3 Lower Cover Assembly

No.	Composition & Quantity				Vendor Specification	Parts name (Description)	Digital Parts Number
1-35	1				CA02312-D301	Lower cover assembly	
	1				CA02312-D311	Lower cover assembly	
1-9	1				CA02312-G008	Lower cover assembly	
1		1			CA02312-Y00105	Lower cover assembly	
2		1			CA02312-Y111	Soundproof material L	
3		1			CA02312-Y114	Soundproof material L1	
9		2			CA02312-Y129	Rubber plate	
10-14	1				CA02312-F118	AC inlet assembly	
10		1			CA02312-G010	AC inlet assembly	
11		1			CA02312-G118	AC bracket assembly	
12		2			CA98001-5917	Tapping screw	
14		1			CA98001-6504	Tapping screw	
15	1				CA02312-Y100	Shield plate	
16	2				F6-SN2TP3-8	Tapping screw	
17	2				CA98001-6504	Tapping screw	
18	2				F6-WB4-121	Washer	
19	2				CA98001-5912	Tapping screw	
20	1				CA02312-Y101	Insulation sheet	
21	1				CA02313-Y159	OP cable holder	
22-23	1				CA02312-J301	Main board with ROM	29-33022-01
22		1			CA20160-B30X	Main board	
23		1			CA02312-J30X	Main board	
24	5				F6-SN2TP3-8	Tapping screw	
25	2				F6-SNA3-06121	Screw	
26	1				CA20160-B70X	RS423 board	29-33024-01
27	2				F6-SW2N2R5-06121	Screw	
29	1				CA02312-Y102	FG plate	
31-32	1				CA20167-B00X	Power supply (110V)	29-33026-01
32		1			CA98001-2878	Fuse (125V,6A)	29-33029-01
31-32	1				CA20167-B50X	Power supply (220V)	29-33027-01
32		1			CA98001-3430	Fuse (250V, 3.15A)	29-33030-01
33	1				F6-NYBT1	Nylon band (for 220V only)	
34	1				CA02312-Y030	Support plate	
35	3				F6-SN2TP3-10	Screw	

## 4.4 Mechanism Assembly



#### 4.4 Mechanism Assembly

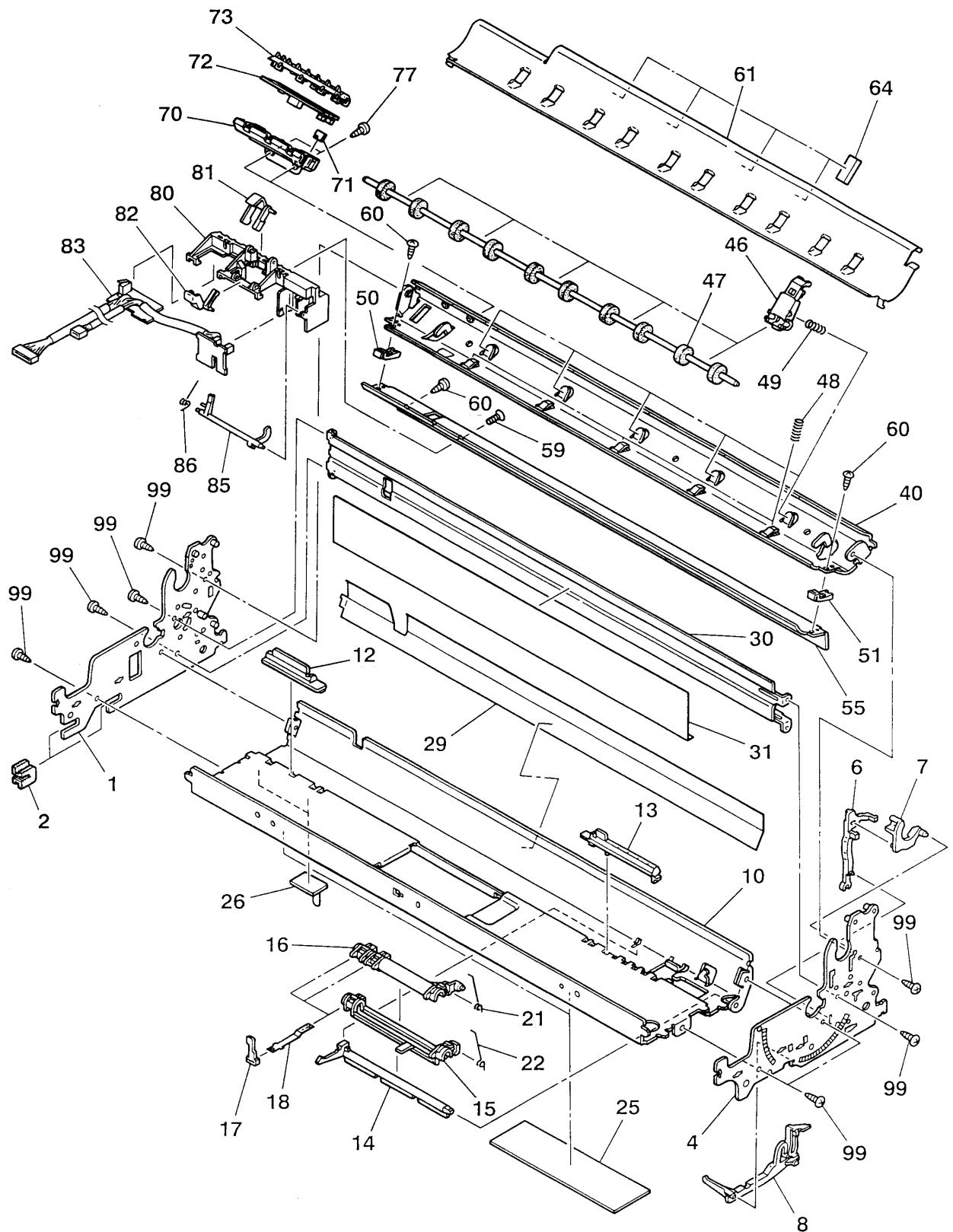
No.	Composition & Quantity				Vendor Specification	Parts name (Description)	Digital Parts Number
1-49	1				CA02312-F258	Printer mecha assembly	29-33214-01
1	1				CA02312-F267	Frame sub assembly	
2	2				CA02312-Y250	Rubber Bush	
3	1				CA02312-Y21101	Front stay	
4	3				CA98001-5912	Tapping screw	
5-7	1				CA02312-F301	Stay shaft assembly	
5		1			CA02312-Y301	Stay shaft	
6		1			CA02312-Y305	Copy control lever	29-33069-01
7		1			CA02312-Y308	Adjust lever R	
8	1				CA02312-F355	Carrier unit	29-33217-01
9	1				CA02312-Y307	Adjust lever L	
10	1				CA02312-Y304	FG shaft spring	
11-16	1				CA02312-F314	SP motor A assembly	
11-12		1			CA02312-G313	SP motor A assembly	29-33033-01
11			1		CA81003-1054	SP motor A	
12			1		K860-2005-X202	Drive pulley	
13		1			CA02312-Y31410	Bracket A	
14		1			CA02312-Y306	FG plate A	
15		2			F6-SW2N4-10111	Screw	
16		1			CA02312-Y310	Rubber bush	
17		1			CA02312-Y313	Spacer A	
18		1			F6-SW2N3-08111	Screw	
19		1			CA98001-5912	Tapping screw	
21-25	1				CA02312-G346	Tension pulley	
21		1			CA02312-Y347	Shaft	
22		1			CA02312-Y346	Flange	
23		1			CA02312-Y336	Tension pulley	
24		1			CT-R-1450ZZ	Bearing	
25		1			CA98001-3674	C ring	
26		1			CA02312-Y331	Tension bracket	
27		1			CA02312-Y332	Tension spring	
28		1			CA02312-Z304	FG shaft spring	



#### 4.4 Mechanism Assembly

No.	Composition & Quantity				Vendor Specification	Parts name (Description)	Digital Parts Number
29	1				CA02312-Y531	Cam	
30-39	1				CA02312-F413	Gear assembly	
30		1			CA02312-Y410	Gear holder	
31		1			CA02312-Y421	Gear A	
32		1			CA02312-Y422	Gear B	
33		1			CA02312-Y426	Gear spring	
34		1			CA02312-Y425	Gear C	
35		1			CA02312-Y424	Gear D	
36		1			CA02312-Y40301	Motor bracket	
37		1			CA81003-1052	LF motor	29-33034-01
38		2			CA98001-5912	Tapping screw	
39	1				CA98001-5918	Tapping screw	
40-46	1				CA02312-F502	Platen assembly	
40		1			CA02312-G502	Platen roll	29-33216-01
41		1			CA02312-Y506	Platen collar	
42		1			CA02312-Y508	Platen gear	
43		1			CA02312-Y505	Platen spring	
44		1			F6-ER8-SUS	E ring	
45	1				CA02312-Y506	Platen collar	
46	1				F6-ER8-SUS	E ring	
49	1				CA02312-Y111	Soundproof material L	

## 4.5 Frame Sub Assembly



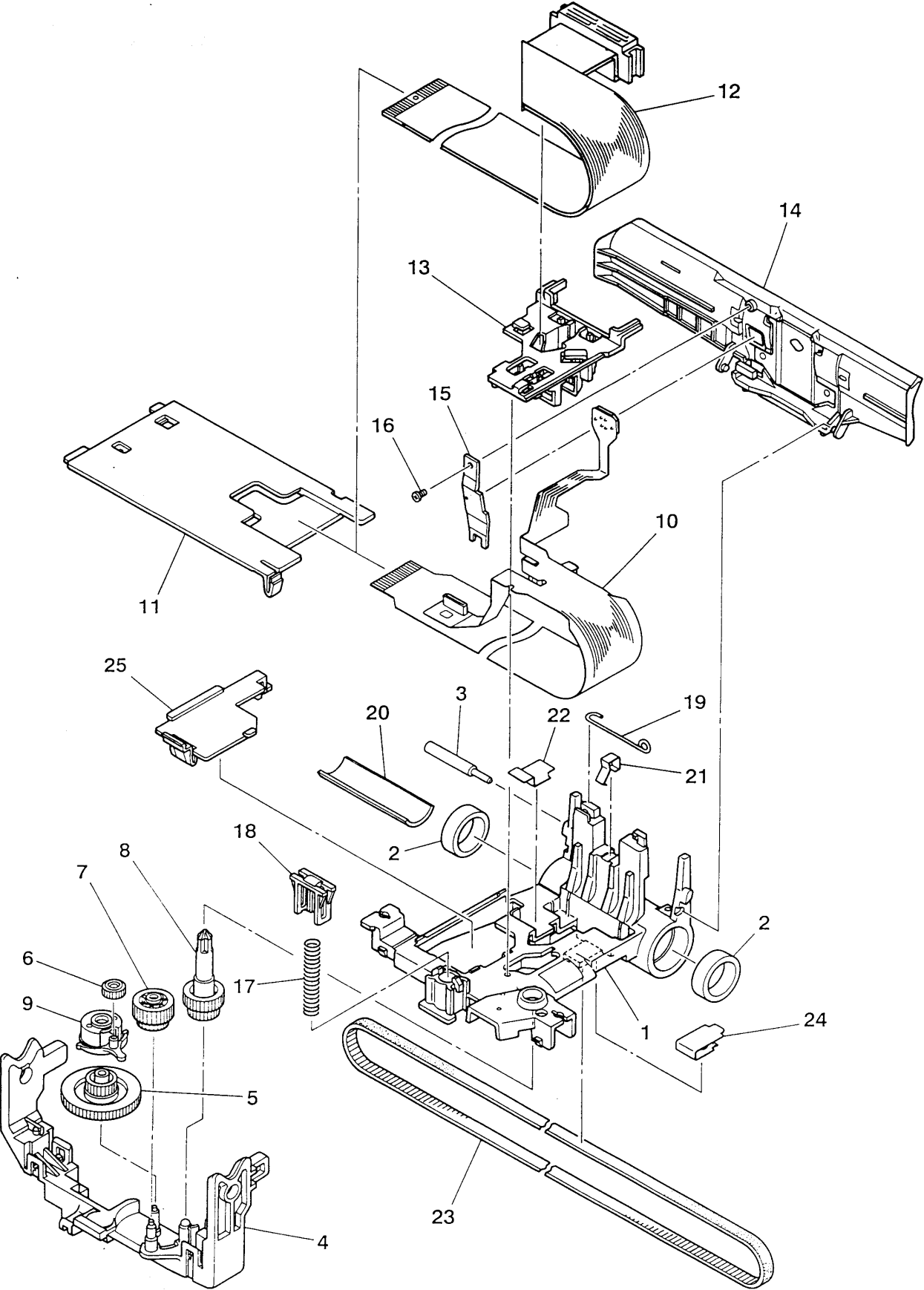
## 4.5 Frame Sub Assembly

No.	Composition & Quantity				Vendor Specification	Parts name (Description)	Digital Parts Number
1-99	1				CA02312-F267	Frame sub. assembly	
1	1				CA02312-G208	Side frame L	
2	2				CA02312-Y311	Rubber bush	
4	1				CA02312-G206	Side frame R	
6	1				CA02312-Y264	Actuator C	
7	1				CA02312-Y269	Actuator H	
8	1				CA02312-Y265	Actuator T	
10-29	1				CA02312-F226	Mainstay assembly	
10	1				CA02313-Y22111	Mainstay	
12	1				CA02312-Y226	Shield plate L	
13	1				CA02312-Y227	Shield plate R	
14	1				CA02312-Y261	Detect shaft	
15	1				CA02312-Y263	Shield plate T	
16	1				CA02312-Y262	Shield plate C	
17	3				CA02312-Y267	Shield plate M	
18	3				CA02312-Y266	Spring P	
21	1				CA02312-Y268	Spring S	
22	1				CA02312-Y270	Spring T	
25	2				CA02312-Y116	Soundproof material M1	
26	2				CA98001-0875	Cord clamp	
29	1				CA02312-Z244	Bottom sheet	
30-31	1				CA02312-G245	Bottom plate	
30	1				CA02312-Y24401	Bottom plate	
31	1				CA02312-Y245	Bottom sheet	
40-99	1				CA02312-F245	Paper feeder assembly	
40-44	1				CA02312-G231	Rear stay T	
40	1				CA02312-Y23201	Rear stay T	
43	1				CA02312-Z232	Rear sheet A	
44	1				CA02312-Z233	Rear sheet B	
46	5				CA02312-Y517	Holder T	
47	5				CA02312-Z515	Roller spring R	
48	1				CA02312-G510	Feed roller	29-33224-01
49	3				CA02312-Y529	Spring T	
50	1				CA02312-Y236	Spacer L	
51	1				CA02312-Y237	Spacer R	
55	1				CA02312-Y24201	Rear stay B	
60	2				CA98001-5912	Tapping Screw	

#### 4.5 Frame Sub Assembly

No.	Composition & Quantity		Vendor Specification	Parts name (Description)	Digital Parts Number
61-64		1	CA02312-G519	Paper cradle assembly	
61		1	CA02312-Y519	Paper cradle	
64		4	CA02312-Y127	Dumper	
70-77		1	CA02312-G542	Sensor T assembly	29-33025-01
70		1	CA02312-Y544	Sensor case B	
71		1	CA02312-Y540	Cover R	
72		1	CA02312-G543	Sensor T sub. assembly	
73		1	CA02312-Y543	Sensor case A	
77		2	CA98001-5912	Tapping screw	
80-90		1	CA02312-F558	Sensor assembly	29-33215-01
80		1	CA02312-Z555	PCB holder	
81		1	CA02312-Y554	Sensor lever	
82		1	CA02312-Y556	Sensor lever B	
83		1	CA02312-G558	Sensor sub. assembly	
85		1	CA02312-Z564	Lever	
86		1	CA02312-Z565	Spring	
89		1	CA98001-6363	Tapping screw	
90		1	CA98001-6364	Tapping screw	
95		1	CA02312-Y254	Guide sheet A	
96		1	CA02312-Y255	Guide sheet B	
99		8	CA98001-5912	Tapping screw	

4.6 Carrier Unit



#### 4.6 Carrier Unit

No.	Composition & Quantity					Vendor Specification	Parts name (Description)	Digital Parts Number
1-25	1					CA02312-F355	Carrier unit	29-33217-01
1-3	1					CA02312-G353	Carrier frame	
1-2		1				CA02312-G350	Carrier frame	
1			1			CA02312-Y350	Carrier frame	
2				2		CA02312-Y352	Bush	
3		1				CA02312-Y359	Shaft L	
4-9	1					CA02312-F360	Ribbon feed assembly	
4		1				CA02312-Y354	Ribbon Bracket	
5		1				CA02312-Y361	RF gear	
6		1				D860-1164-X330	Gear C	
7		1				CA02312-Y363	Idol gear	
8		1				CA02312-G366	RF gear assembly	
9		1				CA02312-Y365	Arm	
10	1					CA02312-G380	Relay cable assembly	29-33075-01
11	1					CA02312-Y225	Cable holder	
12	1					CA02312-G387	Carrier cable assembly	29-33076-01
13	1					CA02312-Y384	Belt holder	
14	1					CA02312-G375	Card guide assembly	29-33070-01
15	1					CA02312-Z373	Sensor bracket	
16	1					CA98001-3453	Screw	
17	1					CA02312-Y378	Ribbon spring	
18	1					CA02312-Y396	Ribbon spring holder	
19	1					CA02312-Y356	Spring	
20	1					D860-1164-X304	Felt	
21	1					D860-1164-X317	Leaf spring	
22	1					CA02312-Y383	Insulating sheet A	
23	1					CA81003-1062	Timing Belt	29-33223-01
24	1					CA02312-Y386	Belt clamp	
25	1					CA02312-Y388	Cover C	