



**RZ-Series 3 1/2-Inch Fixed Disk Drive Installation**

EK-RZ35F-IN.A01

September 1993

---

This document illustrates the installation of all RZ 3 1/2-inch disk drives.

---

© Digital Equipment Corporation 1993. All rights reserved.

S2352

## RZ 3 1/2-Inch Disks

---

### RZ-Series 3 1/2-Inch Fixed Disks

---

---

#### RZ26 Overview

---

Description	High-density fixed disk
Capacity	1.0 GB
Form factor	3 1/2 in
Seek time	9.5 ms
Transfer rate	3.3 MB (peak)
Rotational speed	5363 rpm
Temperature	10°C (50°F)–50°C (122°F) (operating) 10°C (50°F)–40°C (104°F) (in BA640 enclosure)
Relative humidity	10%–90%
Voltage	+5 VDC ±5% and +12 VDC ±5%
Current	+5 V: .85 A and +12 V: .74 A (idle mode)
Power	13.73 W (maximum)

---

#### Add-On Option Part Number

---

RZ26 fixed disk (3 1/2 in)	RZ26–MY
----------------------------	---------

---

#### Field Service Orderable Parts and Options

---

FRU	RZ26–E (whole unit replacement)
-----	---------------------------------

---

#### Documentation

---

<i>RZxx Pocket Service Guide</i>	EK–RZXXD–PS
<i>RZ Series Reference Manual</i>	EK–RZXXD–RM
<i>DEC 4000 AXP</i>	EK–KN430–OP
<i>Owner's Guide (VMS Ops)</i>	
<i>DEC OSF/1 AXP</i>	EK–SFFIS–UG
<i>Factory Installed</i>	
<i>Software User Guide</i>	

## RZ 3 1/2-Inch Disks

---

### RZ28 Overview

---

Description	High-density fixed disk
Capacity	2.1 GB
Form factor	3 1/2 in
Seek time	9.7 ms
Transfer rate	4.9 MB (peak)
Rotational speed	5400 rpm
Temperature	5°C (41°F)–55°C (131°F) (operating) 10°C (50°F)–40°C (104°F) (in BA640 enclosure)
Relative humidity	10%–90%
Voltage	+5 VDC ±5% and +12 VDC ±5%
Current	+5 V: .86 A and +12 V: .69 A
Power	14.9 W (typical)

---

### Add-On Option Part Number

---

RZ28 fixed disk (3 1/2 in)	RZ28–MY
----------------------------	---------

---

### Field Service Orderable Parts and Options

---

FRU	RZ28–E (Whole unit replacement)
-----	---------------------------------

---

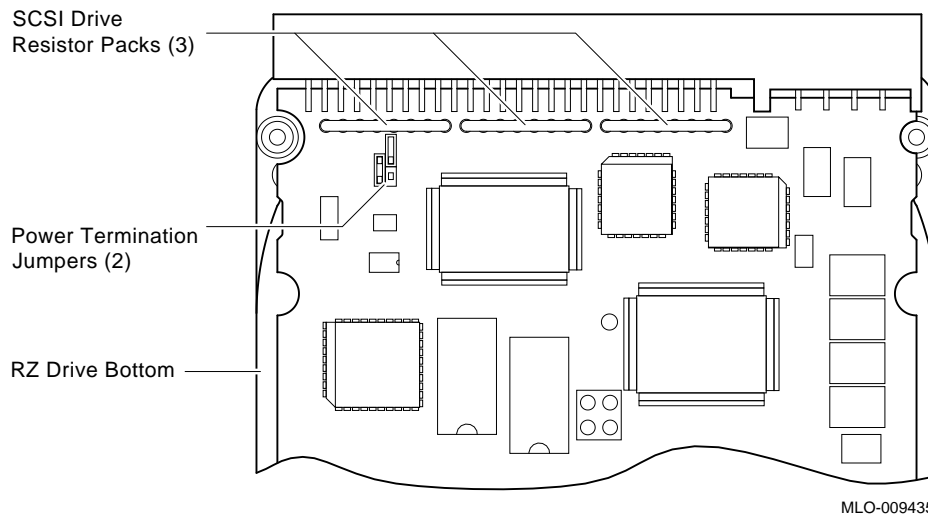
### Documentation

---

<i>RZxx Pocket Service Guide</i>	EK–RZXXD–PS
<i>RZ Series Reference Manual</i>	EK–RZXXD–RM
<i>DEC 4000 AXP</i>	EK–KN430–OP
<i>Owner's Guide (VMS Ops)</i>	
<i>DEC OSF/1 AXP</i>	EK–SFFIS–UG
<i>Factory Installed</i>	
<i>Software User Guide</i>	

## RZ 3 1/2-Inch Disks

**Figure 1 SCSI Terminators and Resistor Packs for 3 1/2-Inch Drives**



---

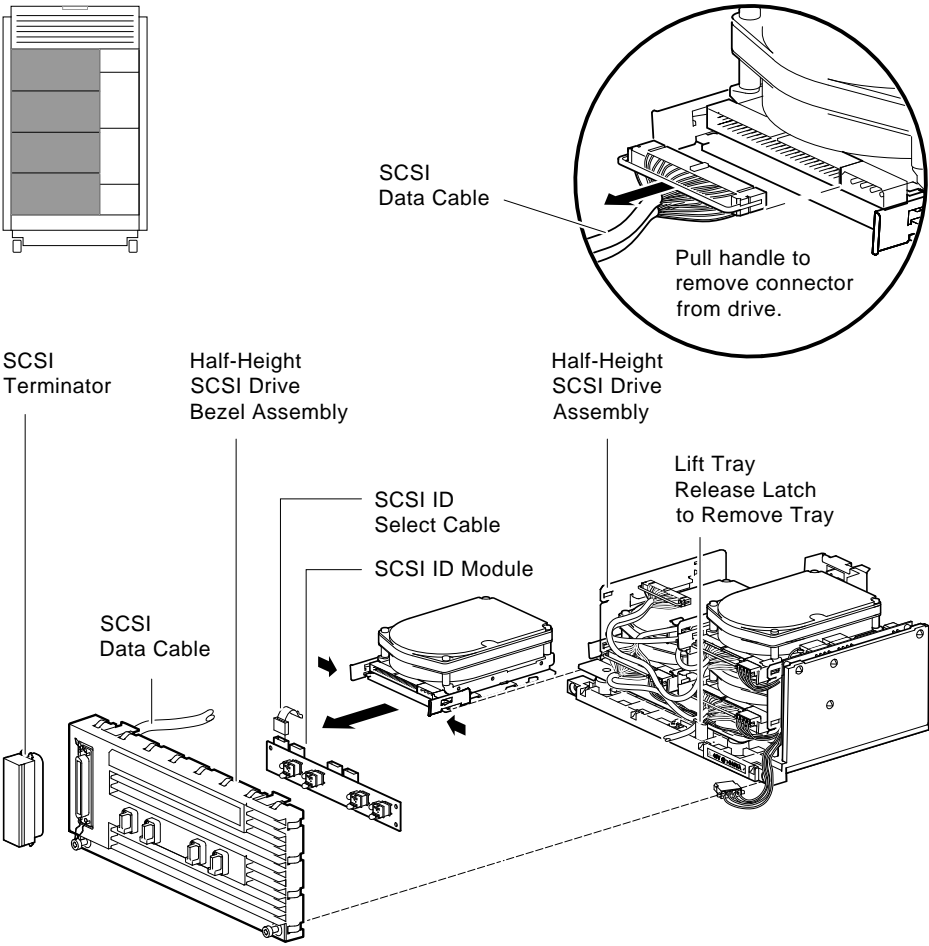
**Caution**

When adding a SCSI 3 1/2-inch disk drive to the DEC 4000 AXP system, remove the three resistor packs and two terminator jumpers shown in Figure 1 to avoid bus problems.

---

# RZ 3 1/2-Inch Disks

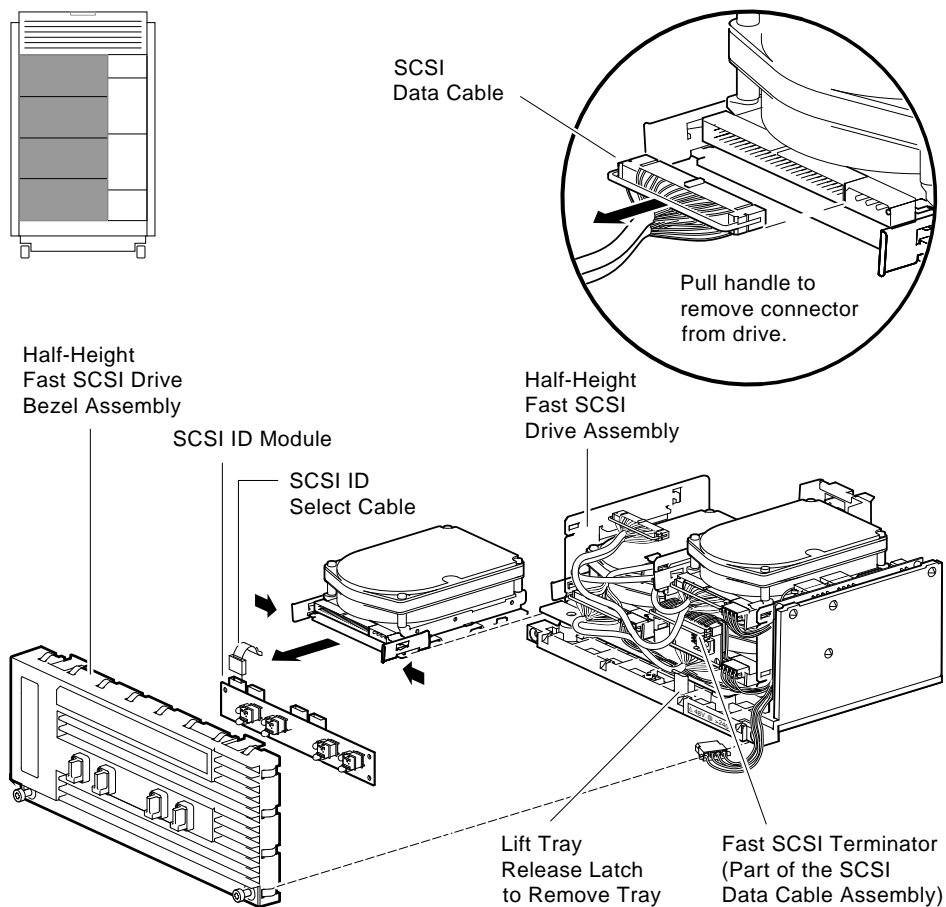
Figure 2 RZ-Series 3 1/2-Inch Storage Assembly



MLO-009817

## RZ 3 1/2-Inch Disks

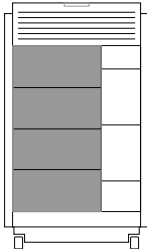
Figure 3 RZ-Series 3 1/2-Inch Fast SCSI Storage Assembly



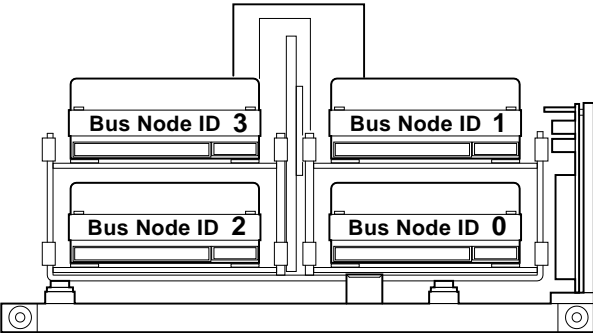
MLO-009428

# RZ 3 1/2-Inch Disks

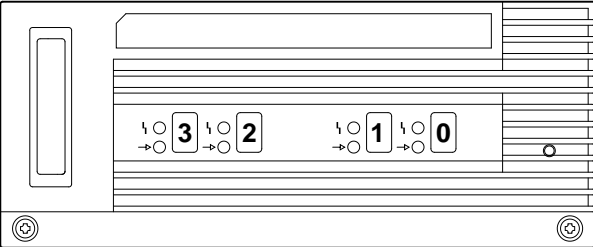
Figure 4 RZ-Series 3 1/2-Inch Drive Selection



3 1/2-Inch Fixed-Media Storage Tray



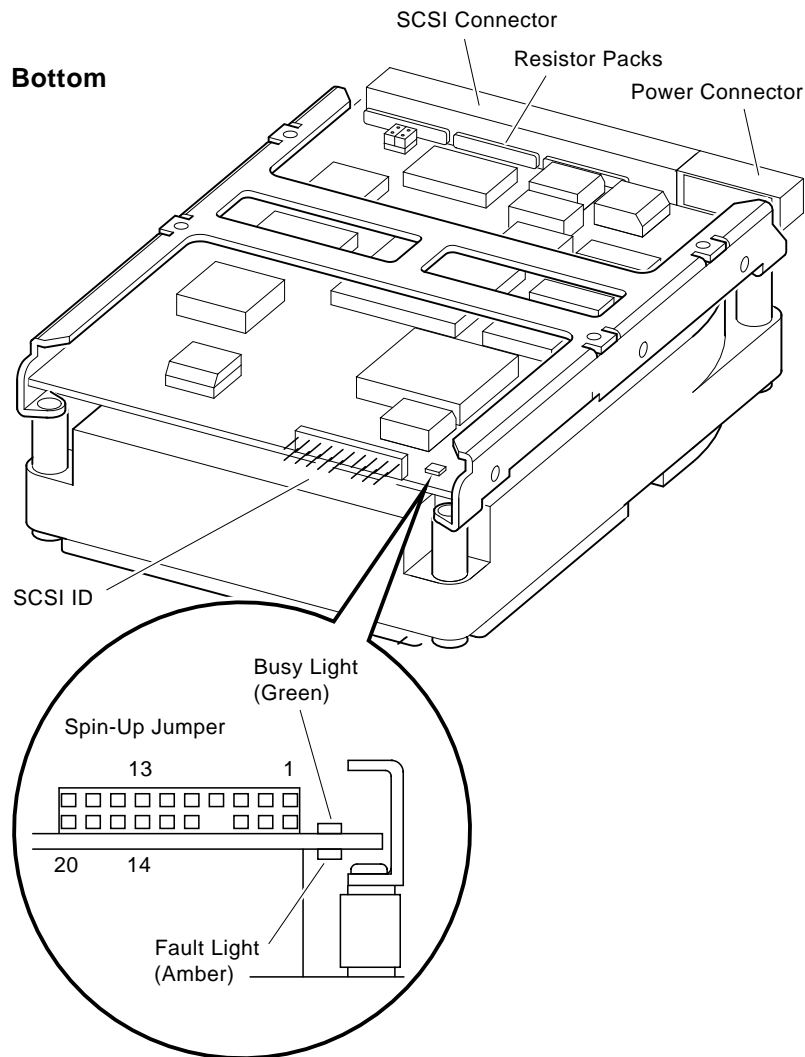
Front Panel



MLO-009819

## RZ 3 1/2-Inch Disks

Figure 5 RZ-Series 3 1/2-Inch Light Location



MLO-008213



## RZ 3 1/2-Inch Disks

**Table 1 Spin-Up Jumper**

<b>Jumper Status</b>	<b>Spin-Up Condition</b>
Installed	Spins up on power up.
Not installed	Spins up on MOUNT command.