

RX26 Diskette Drive Option

Installation Guide

Order Number: EK-RX26M-IN.001

April 1992

This guide provides instructions for installing an RX26 diskette drive option into the MicroVAX 3100 Models 10, 10e, 20, 20e and the VAXserver 3100 Models 10, 10e, 20, and 20e systems.

Revision/Update Information: This is a new manual.

April 1992

The information in this document is subject to change without notice and should not be construed as a commitment by Digital Equipment Corporation. Digital Equipment Corporation assumes no responsibility for any errors that may appear in this document.

The software described in this document is furnished under a license and may be used or copied only in accordance with the terms of such license.

No responsibility is assumed for the use or reliability of software on equipment that is not supplied by Digital Equipment Corporation or its affiliated companies.

Restricted Rights: Use, duplication, or disclosure by the U.S. Government is subject to restrictions as set forth in subparagraph (c)(1)(ii) of the Rights in Technical Data and Computer Software clause at DFARS 252.227-7013.

© Digital Equipment Corporation 1992.

All Rights Reserved.
Printed in U.S.A

The following are trademarks of Digital Equipment Corporation: DEC, MicroVAX, RX, VAXserver, and the DIGITAL logo.

This document was prepared using VAX DOCUMENT, Version 2.0.

Contents

About This Guide	v
-------------------------------	---

1 Installation

1.1	Configuring the RX26 Diskette Drive	1-2
1.1.1	Setting the Drive ID Number	1-2
1.1.2	Setting the FDI ID Number	1-3
1.2	Installing the RX26 Diskette Drive	1-6

Figures

1-1	Setting RX26 Drive ID Number	1-2
1-2	RX26 FDI Module SCSI ID Switch Locations	1-4
1-3	Securing Mounting Bracket to RX26 Drive	1-6
1-4	RX26 Diskette Drive Installation	1-7

Tables

1-1	RX26 Diskette Drive Option Contents	1-1
1-2	RX26 SCSI ID Switch Settings	1-5

About This Guide

This guide describes how to install an RX26 diskette drive option into the MicroVAX 3100 Models 10, 10e, 20, and 20e and the VAXserver 3100 Models 10, 10e, 20, and 20e systems.

Intended Audience

Installation of this diskette drive should only be attempted by qualified personnel. Improper installation can result in system damage for which Digital is not responsible. Please contact your Customer Services representative.

Conventions

The following conventions are used in this guide:

Convention	Meaning
CAUTION	Provides information to prevent damage to equipment or software. Read cautions carefully.
NOTE	Provides general information about the current topic.

1

Installation

This chapter provides instructions for installing an RX26 Diskette Drive option into the MicroVAX 3100 Models 10, 10e, 20, and 20e and the VAXserver 3100 Models 10, 10e, 20, and 20e systems. Verify that the contents of the RX26 Diskette Drive option are listed in Table 1-1.

Table 1-1 RX26 Diskette Drive Option Contents

Description	Part Number	Quantities
RX26 diskette drive	RX26-AA	1
FDI module	54-20764-01	1
Mounting bracket	74-38638-01	1
Rubber grommets	90-00018-02	4
Panhead screws	12-27886-02	4
Ribbon cable	17-00285-00	1
Diskette	30-30083-01	2
Cover (bezel) (Models 10 and 10e)	74-39959-01	1
Cover (bezel) (Models 20 and 20e)	74-39104-01	1
Standoffs (short)	90-11044-01	4
Standoff (tall)	12-23824-01	1

CAUTION

Installation of this option should only be attempted by qualified personnel. Improper installation can result in system damage for which Digital is not responsible.

Installation

1.1 Configuring the RX26 Diskette Drive

1.1 Configuring the RX26 Diskette Drive

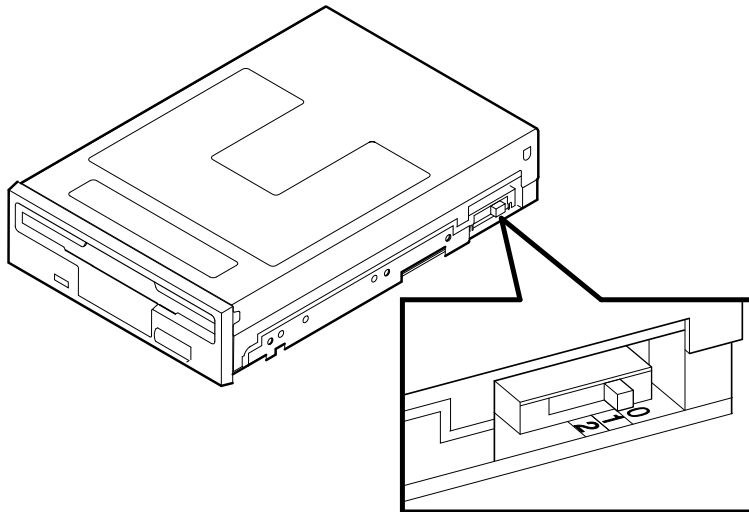
Before installing an RX26 diskette drive option, the identification (ID) number on the RX26 diskette drive and FDI module must be configured.

1.1.1 Setting the Drive ID Number

The RX26 diskette drive has a drive ID switch that identifies the drive select signal on the FDD interface to which device it will respond. To set the drive ID number:

1. Locate the ID switch on the RX26 diskette drive. See Figure 1-1.
2. Slide the ID switch to position 2 for the MicroVAX 3100 and VAXserver 3100 systems.

Figure 1-1 Setting RX26 Drive ID Number



LJ-01801-T10

Installation
1.1 Configuring the RX26 Diskette Drive

1.1.2 Setting the FDI ID Number

The RX26 diskette drive is not a small computer system interface (SCSI) device, therefore requires an additional interface module (FDI) when used on a SCSI bus. A switch pack on the FDI module allows selection of the SCSI device ID address number. To select the SCSI device ID address number:

1. Bring the software operating system down and halt the system.
2. At the console prompt (>>>), enter the SHOW DEVICE command to determine existing SCSI address IDs.
3. Choose an unused SCSI address.

_____ **NOTE:** _____

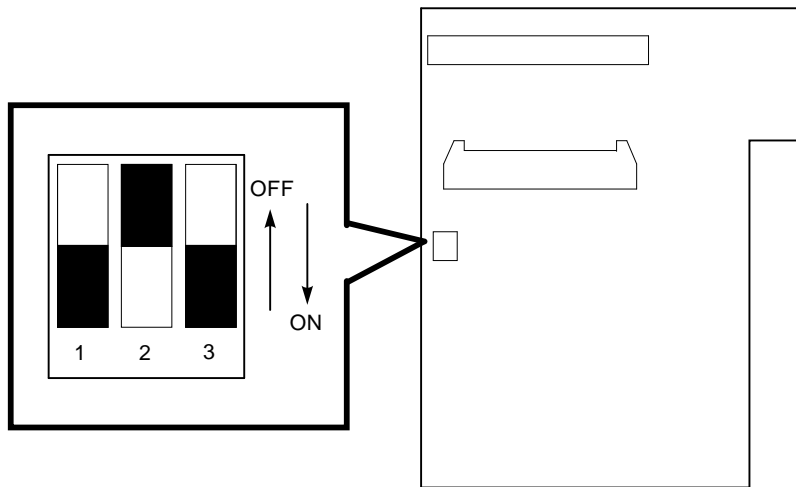
Choosing an unused SCSI address must be done to avoid possible address duplication.

Installation

1.1 Configuring the RX26 Diskette Drive

4. Set the SCSI ID address using the switch pack on the FDI module.
Figure 1-2 shows the location of the SCSI ID switches on the FDI module and Table 1-2 lists the possible SCSI ID switch settings.
5. Power down the system box and the expansion boxes (if applicable).

Figure 1-2 RX26 FDI Module SCSI ID Switch Locations



LJ-01802-T10

Installation
1.1 Configuring the RX26 Diskette Drive

Table 1–2 RX26 SCSI ID Switch Settings

ID Address on SCSI Bus	RX26 Switch Settings		
	1	2	3
0 ³	Off	Off	Off
1	Off	Off	On
2	Off	On	Off
3	Off	On	On
4	On	Off	Off
5 ²	On	Off	On
6 ¹	On	On	Off
7 ⁴	On	On	On

¹Reserved address ID for SCSI bus controller.

²Recommended address IDs for RX26 drives on the SCSI-A bus.

³Recommended address IDs for RX26 drives on the SCSI-B bus.

⁴Reserved for the device with the highest priority on the bus.

Installation

1.2 Installing the RX26 Diskette Drive

1.2 Installing the RX26 Diskette Drive

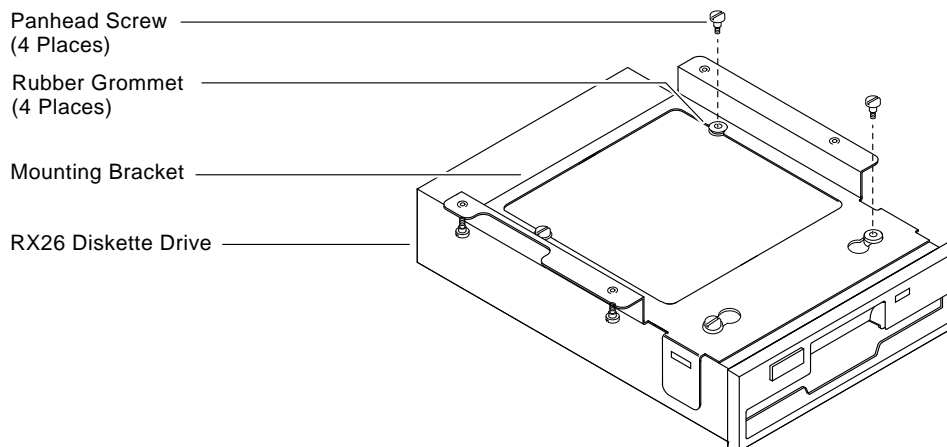
NOTE:

The RX26 Diskette Drive option must be installed in the right-hand storage compartment of the lower shelf on the MicroVAX 3100 Models 10, 10e, 20, and 20e and the VAXserver 3100 Models 10, 10e, 20, and 20e systems.

To install the RX26 diskette drive option:

1. Insert the four rubber grommets into the four holes on the mounting bracket. See Figure 1-3.
2. Secure the bracket to the RX26 diskette drive using the four panhead screws provided. See Figure 1-3.

Figure 1-3 Securing Mounting Bracket to RX26 Drive



LJ-01803-T10

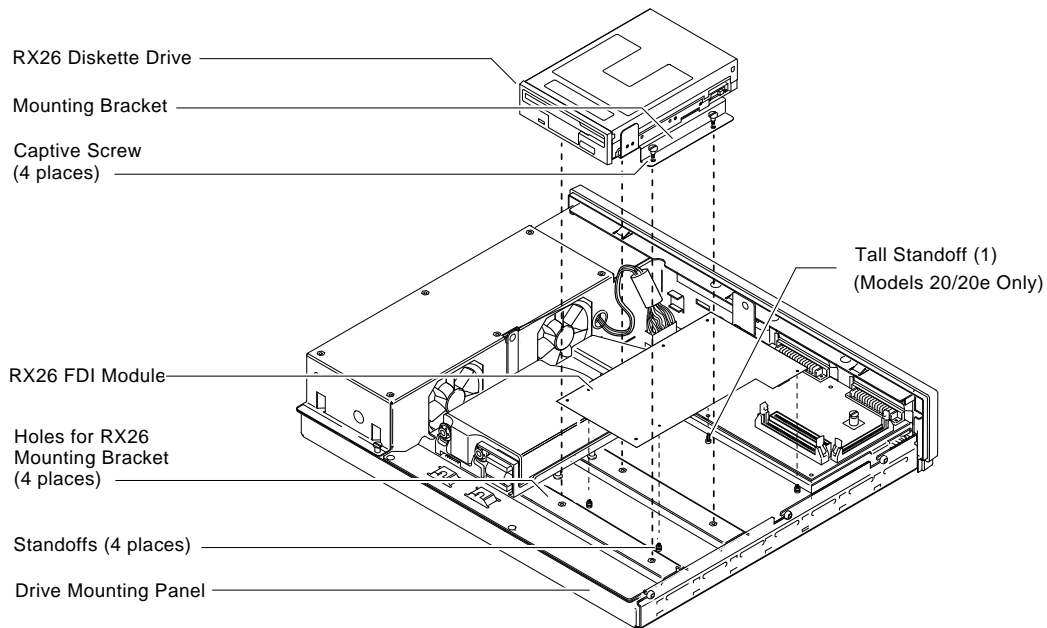
Installation 1.2 Installing the RX26 Diskette Drive

3. Insert the four short standoffs into the drive mounting panel as shown in Figure 1-4.

NOTE:

Use the tall standoff provided in the left rear mounting hole for the MicroVAX 3100 Models 20 and 20e, and the VAXserver 3100 Models 20 and 20e systems. See Figure 1-4.

Figure 1-4 RX26 Diskette Drive Installation



LJ-01804-T10

4. Connect one end of the ribbon cable that has been provided to the FDI module.
5. Attach the FDI module to the four standoffs. See Figure 1-4.
6. Position the drive/bracket assembly and secure the assembly to the drive mounting panel using the four captive screws on the bracket.

Installation

1.2 Installing the RX26 Diskette Drive

7. Connect the SCSI cable to the 50-pin connector on the FDI module.

NOTE:

When installing this option in the MicroVAX 3100 Models 20 and 20e and the VAXserver 3100 Models 20 and 20e, trim the left rear (tall) standoff to allow cable insertion.

8. Connect the other end of the ribbon cable from the FDI module to the RX26 diskette drive.
9. Connect the large 4-pin power connector to the FDI module and the small 4-pin power connector to the RX26 diskette drive.
10. Gently remove the blank plate out from the front bezel of the system box using a flat screwdriver. Be careful not to damage the main bezel.
11. Insert the RX26 front bezel provided.
12. Reassemble the system. Refer to the system documentation for reassembly procedures, if needed.
13. If applicable, make sure that the expansion boxes are powered-up. Power up the system.
14. After power-up and successful completion of the self-test, verify the presence of the newly installed RX26 diskette drive by entering the SHOW DEVICE command at the console prompt (>>>). An "RX26" should appear under the DEVTYPE column.

Note

VMS Version 5.4-3 or later supports the RX26 diskette drive.
