

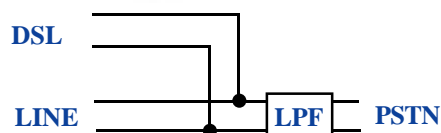
# ALS-R10

## ADSL Line Splitter RACK

The **ALS-R10** is a rack mount solution for central office or service providers, which nests up to 16 cards containing 6 each ADSL line splitters which provide low-pass filters designed to provide POTS (Plain Old Telephone System) service to a line that is utilizing ADSL technology. This device is designed to eliminate interference to POTS equipment by blocking high frequency energy (20KHz~1MHz).

### FEATURES

- 4U 19" Rack
- Up to 16 cards (96 loop max).
- Handles all POTS loop current from 0mA to 100mA.
- Consists exclusively of all passive elements.
- Designed for implementation of ADSL CO application.
- Provides excellent isolation between DSL and POTS.
- -10 to +70°C operating temperature range.
- Complies with Annex E.2 of ITU-T G.992.1



### SPECIFICATIONS

PARAMETER	CONDITION	MIN.	TYP.	MAX.	UNITS.
Impedance	300 to 3.4KHz		900		Ohms
Insertion loss	1004Hz short loop			1.0	dB
	1004Hz long loop			0.75	dB
Attenuation distortion	200 to 3.4KHz short loop	-1.5		1.5	dB
	3.4K to 4.0KHz short loop	-2.0		2.0	dB
	200 to 3.4KHz long loop	-1.5		0.5	dB
	3.4K to 4.0KHz long loop	-1.5		1.0	dB
Cut off frequency	-3dB		8		KHz
ADSL band Attenuation	30K to 300KHz	-65			dB
	300K to 1104KHz	-55			dB
Delay Distortion	600 to 3.2KHz			200	us
	200 to 4.0KHz			250	us
Return loss	ERL	8			dB
	SRL-L	5			dB
	RL-H	5			dB
Common Mode Rejection Ratio	600 to 3.2KHz	-100			dB
Longitudinal Balance	200 to 1.0KHz	-60			dB
	1.0K to 3.0KHz	-60			dB
DC Resistance				20	Ohms
Isolation resistance to Earth		5.0M			Ohms
DC current carrying capacity				100	mA
Operating temperature		-10		70	°C
Storage temperature		-15		70	°C
Humidity		10		90	%
ESD discharge limits		15K			VDC

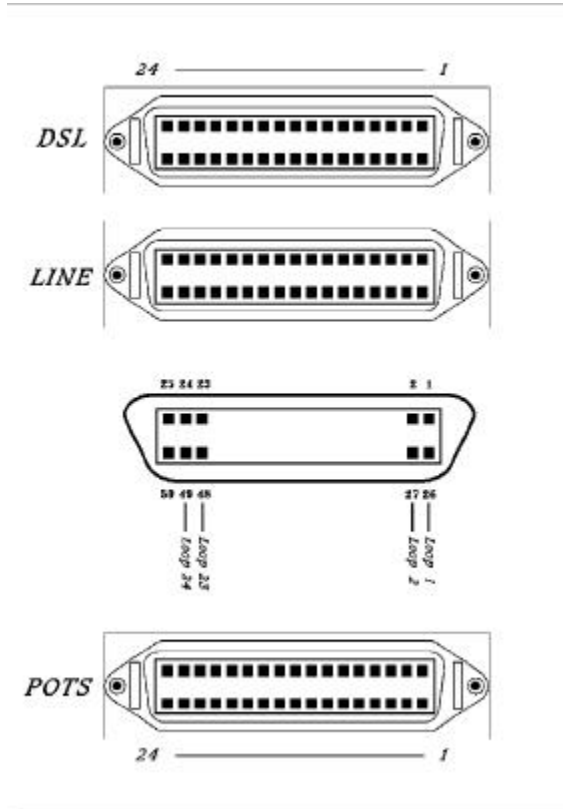
Tel:(886) 2 2659.1021  
 Fax:(886) 2 2799.1355/ 2 2659.0237  
 E-mail:ctcu@ms2.hinet.net  
 http://www.ctcu.com

**CTC**  
 union CTC UNION TECHNOLOGIES CO., LTD.

**ISO 9001**

**INSTALLATION DETAIL**

The *ALS-R10* provides high density connections to the central office POTs and ADSL systems using industry standard Telco connectors. Each Telco connector supports 24 loop using the wire pairing shown in the left diagram. The table below provides an exact reference for cable wiring.



**ORDERING INFORMATION**

- **ALS-R10 4U RACK**  
ADSL Line Splitter Rack Mount (no capacitor).
- **ALS-R10-PIN 4U RACK**  
ADSL Line Splitter Rack Mount (no capacitor),w/Wrap.
- **ALS-R10 6P-9-N**  
ADSL Splitter Line Card, 6P, 900 ohm.

Loop No.	Pin-assign	Loop No.	Pin-assign
1,25,49,73	1 26	13,37,61,85	13 38
2,26,50,74	2 27	14,38,62,86	14 39
3,27,51,75	3 28	15,39,63,87	15 40
4,28,52,76	4 29	16,40,64,88	16 41
5,29,53,77	5 30	17,41,65,89	17 42
6,30,54,78	6 31	18,42,66,90	18 43
7,31,55,79	7 32	19,43,67,91	19 44
8,32,56,80	8 33	20,44,68,92	20 45
9,33,57,81	9 34	21,45,69,93	21 46
10,34,58,82	10 35	22,46,70,94	22 47
11,35,59,83	11 36	23,47,71,95	23 48
12,36,60,84	12 37	24,48,72,96	24 49