

# Conversion 2006 exTension Communication



- ▣ Quality
- ▣ Customer
- ▣ Service

EMS  
xWDM  
Surveillance  
VoIP  
FOM



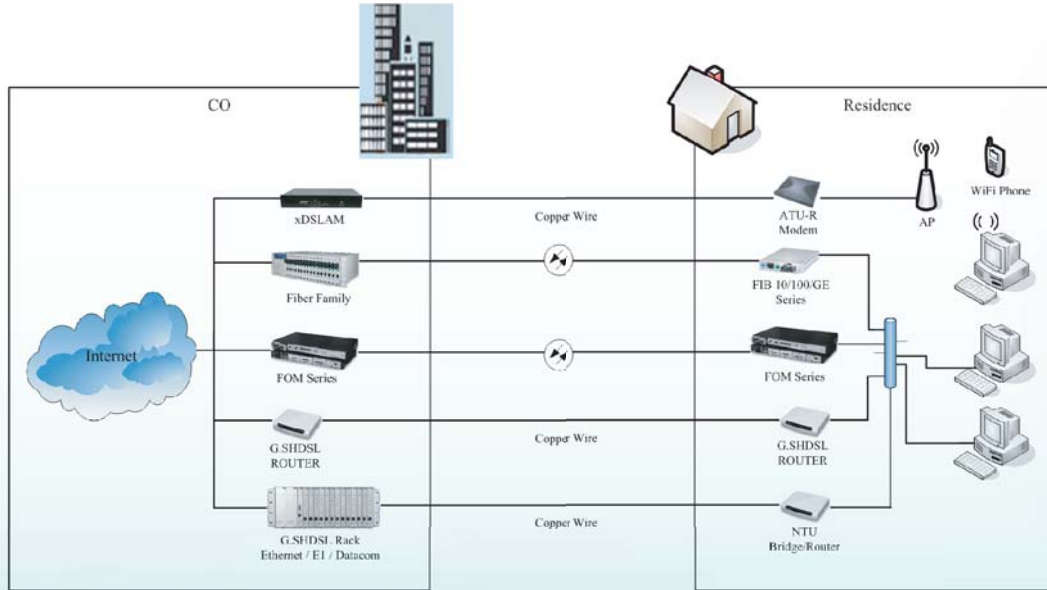
Contact us!

[www.ctcu.com](http://www.ctcu.com)

[info@ctcu.com](mailto:info@ctcu.com)

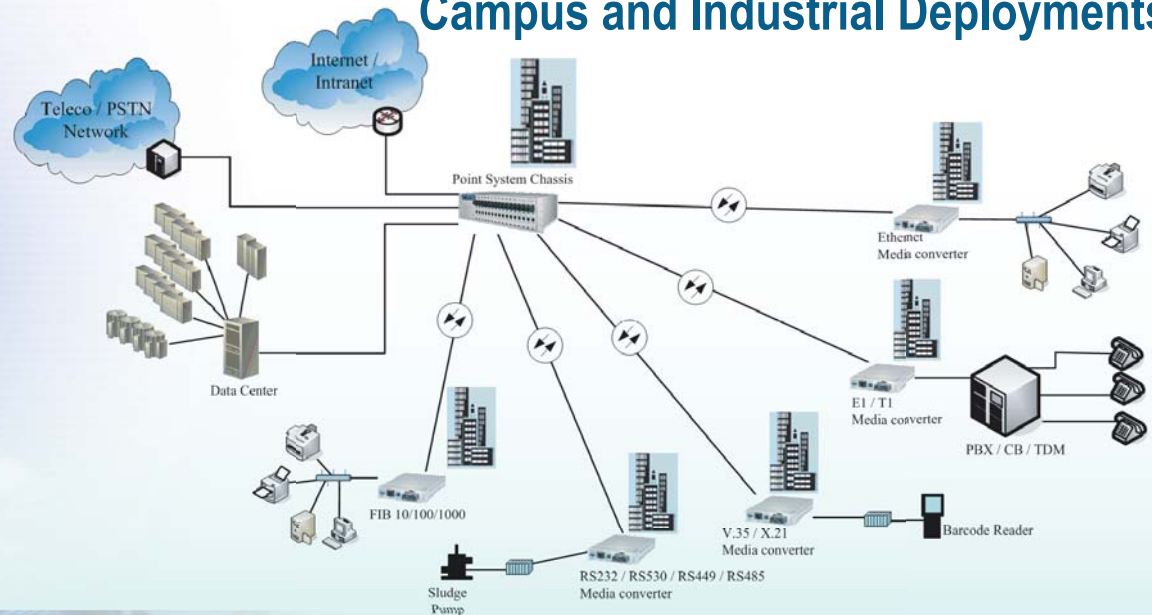
# GENERAL APPLICATIONS

## Solutions for FTTx Application



Make your network better  
[www.CTCU.com](http://www.CTCU.com)

## Media Conversion Solution for Campus and Industrial Deployments



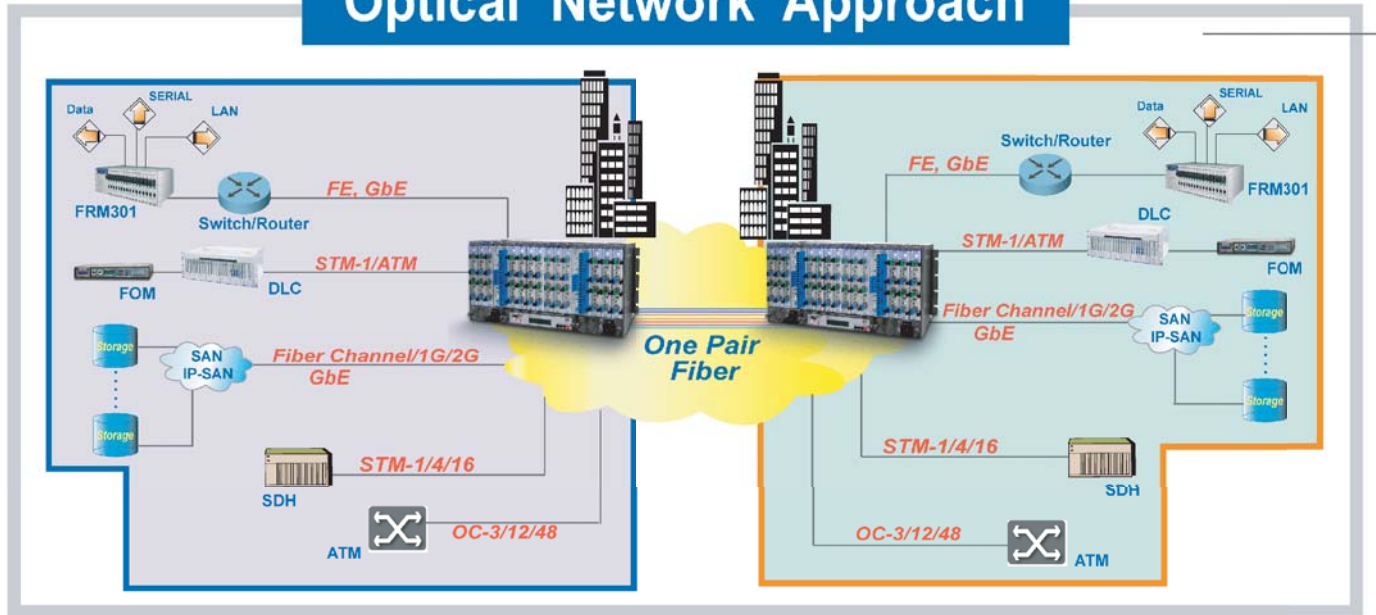
Link the world...



# CWDM DIGITAL VIDEO SERVER



## Optical Network Approach



- ❖ Low-cost alternative for increased capacity
- ❖ Standalone and line-card type are compatible
- ❖ 8 bi-directional wavelength CWDM system, total up to 136 service applications each system
- ❖ Modular design, extend the system just as needed
- ❖ Complete control of the equipment with SNMP
- ❖ Hot swappable, redundant AC or DC power supplies
- ❖ 1+1 optical protection for mission critical availability
- ❖ Management:
  - SNMP manageable
  - Remote management & upgrades
  - In Band and Out Band control

## Applications Notes

Metropolitan Networks

Enterprises & Campus  
Multi-Service Connectivity

Point to Point ADM Networks

Disaster-recovery Site Connection



## - DVS for Surveillance System Solution -



# CONVERSION-FIBER



## CO



## CPE

Gigabit Ethernet Solution



N\*64 Solution



High Speed Serial Solution



TDM Solution



## F. O. M.



Redundant Swappable Fiber Protection



GUI Program Management



Modularize Interface Design

- ❖ Distance Advantage
- ❖ Electrical Isolation
- ❖ EM Immune
- ❖ Secure Transmission

## Fiber Switch NEW

### ■ FSW3208M (Layer 2 Switch)

8-ports 10/100/1000Base-T copper Ethernet and 2 mini-GBIC ports  
 Power Input: 100-240VAC, 50/60Hz,  
 Power Consumption: 30 Watts max.  
 Dimensions: 252 (W) X 125 (D) X 44mm (H)  
 Weight : 1.3 kg



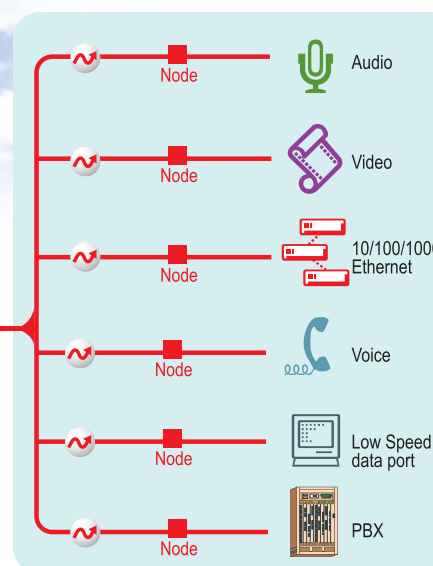
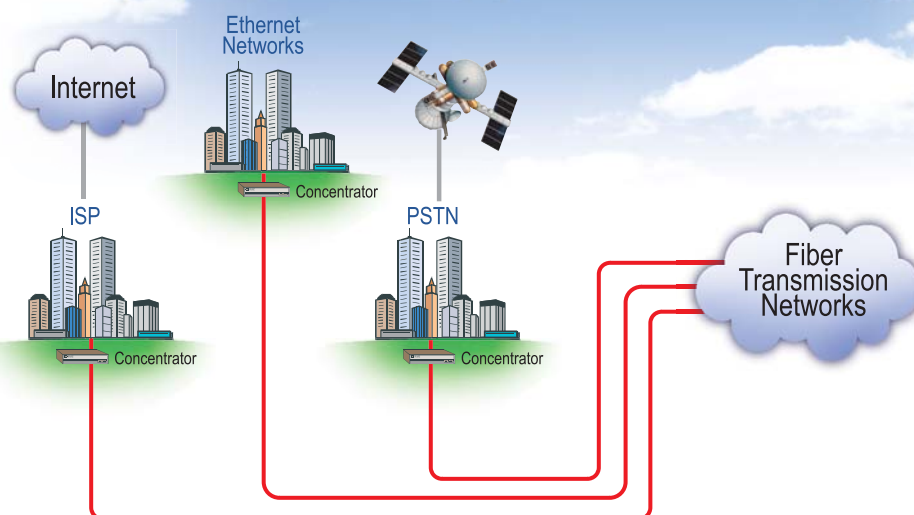
FSW3208M

### Also Available Models

- 24-ports 10/100/1000Mbps copper Ethernet and 2 mini-GBIC ports.
- 24+2G, 24-ports 10/100Mbps RJ-45, 2 pair gigabit ports of RJ-45 and mini-GBIC port on board, SNMP /Web managed.

## C.O.Side

## CPE Side

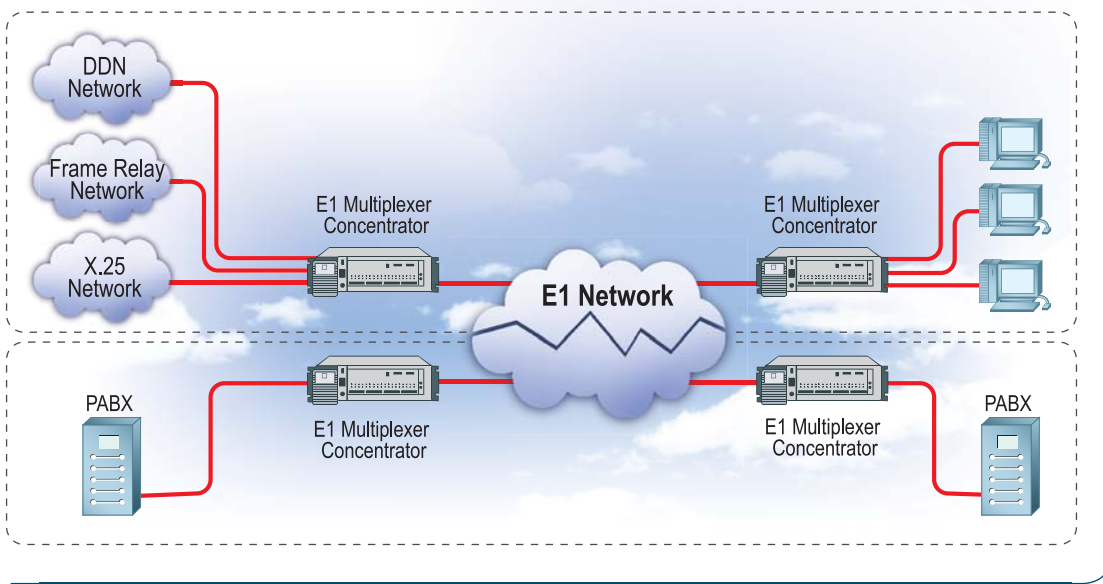




# EXTENSION- E1/T1/xDSL

## Cover Your Demand For LAN to WAN

- ❖ Stable Connection
- ❖ Affordable Solution
- ❖ Quick & Easy Installation
- ❖ Flexible Connectivity
- ❖ Modular Design



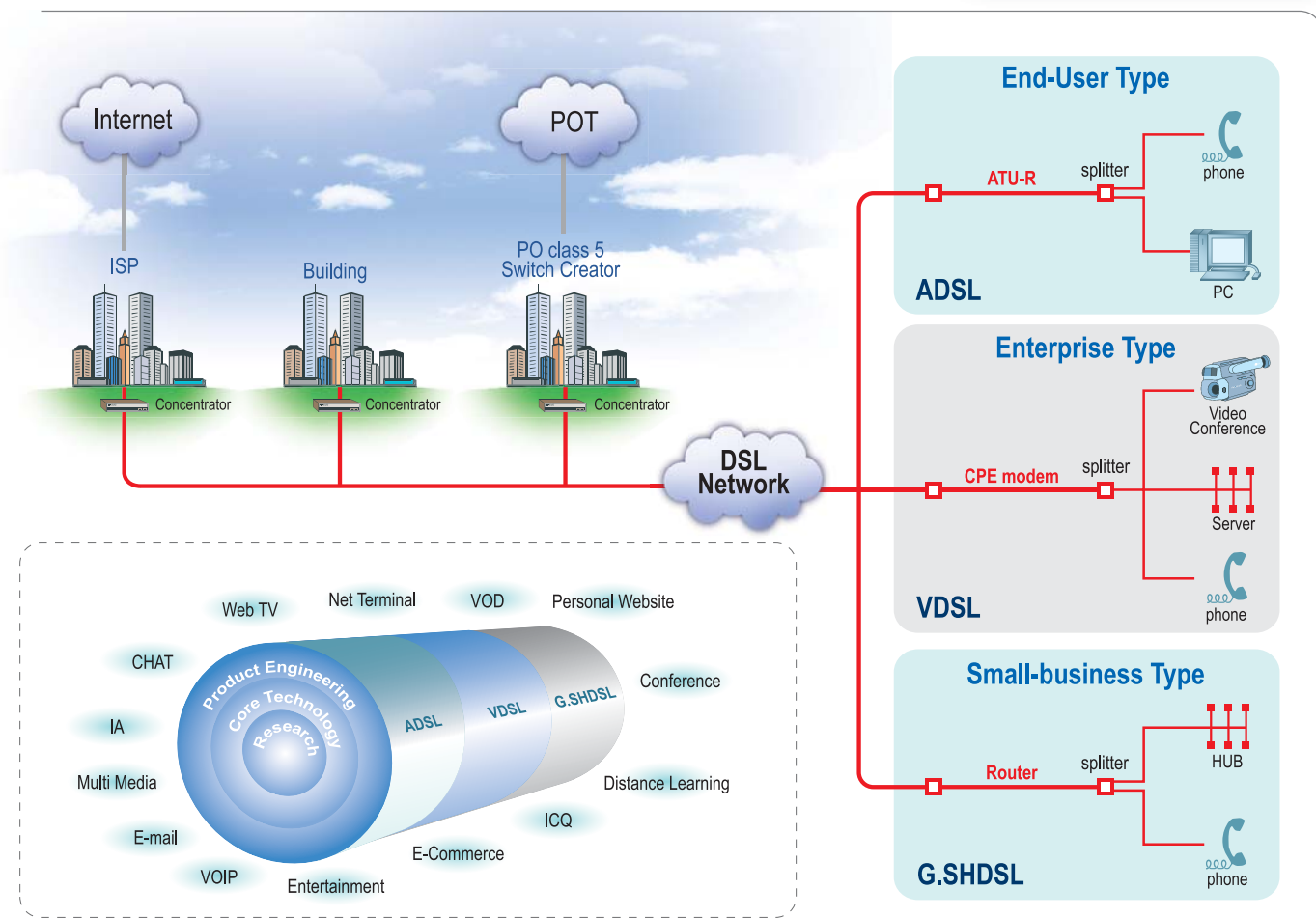
### E1/T1 Digital Access Units

- Integrates high speed data and E1 link with an intelligent E1/Fractional E1 access unit
- Supported various interfaces
- Modular design & Easy to install
- Redundant power supplies
- AC/DC supply both supported
- In-band control
- SNMP management supported



### xDSL Digital Access Units

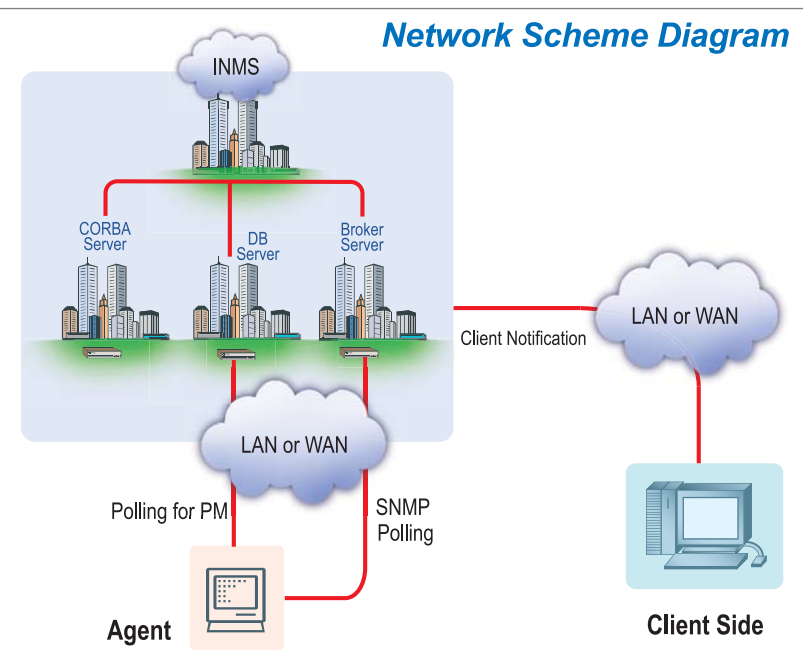
- Plug and Play
- Easy internet access
- Various CPE interface compatibility
- Better immunity to loop distance
- QoS availability
- ADSL, ADSL2+, VDSL, VDSL2, G.SHDSL, G.SHDSL Bis



# EMS/TESTER INTERFACE CONVERTER

## EMS

Network Scheme Diagram



## TESTER

### WAN Protocol Analysis



### Bit Error Rate Testing



### Transmission Analysis

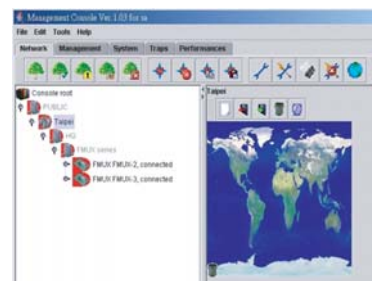


### Plug and Play OTDR Fiber Tester

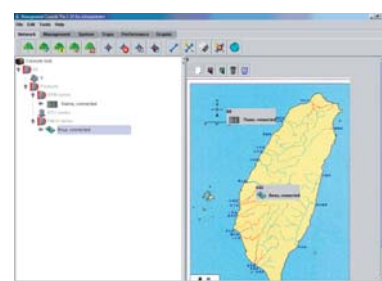


MODEL NAME		HCT-6000A	HCT-6000	HCT-7000	HCT-BERT /128K	HCT-BERT /2M	HCT-BERT /H	BTM10 -E1/T1
<b>FUNCTIONS</b>								
<b>Interfaces</b>	Datacom (RS-232, V.35, X.21, RS-449/530)	▲	▲	▲	▲	▲	▲	▲
	E1			▲				▲
	T1			▲				▲
	G.703 64K Codirectional	●	●	▲	●	●	●	●
<b>Protocol Analysis</b>	Master F/W Async, Sync (BSC), SDLC, HDLC, X.25, Frame Relay (Q.922 only), DDCMP(Async), DDCMP(Sync)	▲	▲	▲				
	PPP/SLIP F/W Async, SDLC, HDLC, X.25, Frame Relay (Q.922 only), PPP(Async), SLIP, PPP(Sync), HDLC+IP, X.25+IP	●	●	●				
	Frame Relay F/W (Q.922(T1,618)/ Q.933(T1,617))	●	●	▲				
	SNA F/W							
	Speeds	128K	128K	2M				
	<b>CCS Analysis</b> (Common Channel Signaling)	SS#7			●			
	ISDN-D			●				●
	V5.1/V5.2			●				●
<b>BERT Analysis</b>	Datacom	▲	▲	▲	▲	▲	▲	▲
		128K Basic Analysis	▲	▲	▲	▲	▲	▲
		2M Basic Analysis	▲	▲	▲	▲	▲	▲
		2M G.821 Analysis	▲	▲	▲	▲	▲	▲
		2M G.826 Analysis	●			●		
	E1/T1	Basic Analysis			▲			▲
	G.821/ G.826 Analysis			▲			▲	
	M.2100 Analysis			●			●	
	Histogram			▲			▲	
	MUX			▲			▲	
<b>Control type</b>	Remote Control	▲	▲	▲	▲	▲	▲	▲
	Auto Configuration	▲	▲	▲	▲	▲	▲	▲
<b>Data Management</b>	Up/ Download to PC	▲	▲	▲				▲
	Extension PC CARD Flash Storage				●			
	File Manager	▲	▲	▲	▲	▲	▲	▲
<b>Number of Test Ports</b>		1	1	2	1	1	1	1

### Main Menu



### Getting Map node



## INTERFACE CONVERTER

CTC Union's interface converters provide both DC powered and interface powered converter which provide complete electrical conversion between RS-232, X.21, V.35, RS-530, RS-449, and RS-485 interface standards.



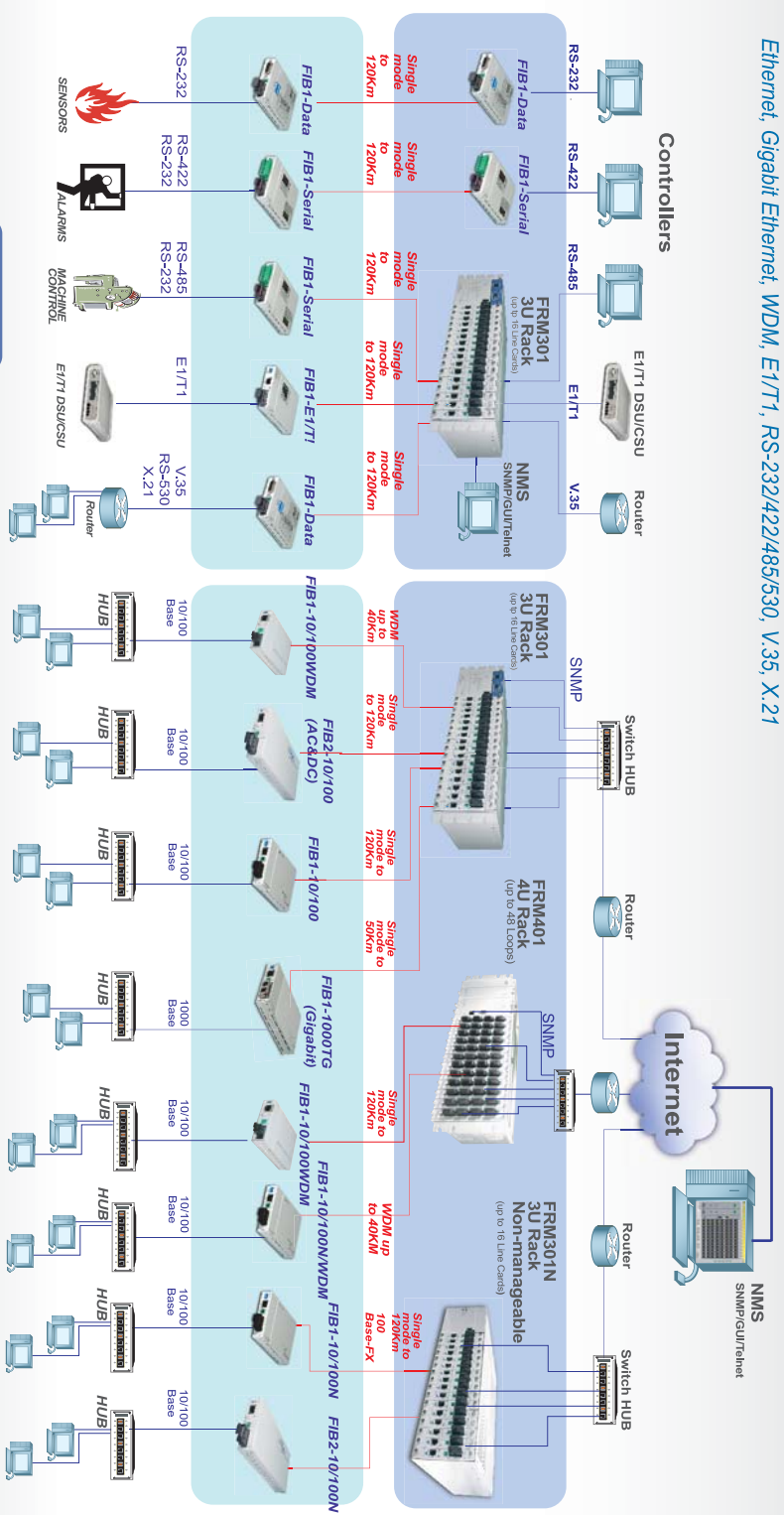
MODEL NAME	DTE/DCE INTERFACE	DTE/DCE INTERFACE	DTE/DCE CONNECTOR	DTE/DCE CONNECTOR
IC232TTL	V.24/RS-232	TTL/CMOS	9-pin , female	9-pin, male
IC485-3	V.24/RS-232	RS-485	25-pin, male/female	Terminal block
icAS/IP	Async RS-232	Sync RS-232	25-pin , female	25-pin, male
V35IP-M/F	V.24/RS-232	V.35	25-pin, male/female	34-pin, male/female
449IP-M/F	V.24/RS-232	V.36/RS-422/ RS-499	25-pin, male 37-pin, male/female	
X21IP-M/F	V.24/RS-232	X.21	25-pin, male	37-pin, male
ICCL-11M	V.24/RS-232	Current loop	25-pin, male	Terminal block
ICCL-11F	V.24/RS-232	Current loop	25-pin, female	Terminal block
V35/485-1	V.35	RS-485	34-pin, male/female	Terminal block
V35/449IP	V.35	V.36/RS-422	34-pin, male	37-pin, male
V35/X21IP	V.35	X.21	34-pin, male/female	15-pin, male
V35/530IP	V.35	RS-530	34-pin, male/female	25-pin, male
IC485IP-1F	RS-232	RS-485	25-pin, female	4-screw terminal block
IC485IP-1M	RS-232	RS-485	25-pin, male	4-screw terminal block
IC485IP-2F	RS-232	RS-485	25-pin, female	RJ-45
IC232IP-SM/F	RS-232	Short Haul Modem	25-pin, male/female	RJ-45
IC232IP-2M/F	RS-232	Short Haul Modem	25-pin, male/female	4-screw terminal block

# Fiber Media Converter Series Application

## FIBER MEDIA CONVERTER SOLUTIONS

Ethernet, Gigabit Ethernet, WDM, E/1T/1, RS-232/422/485/530, V.35, X.21

**Copper**  
**Fiber**



**CTC UNION TECHNOLOGIES CO., LTD.**  
 Far Eastern Vienna Technology Center  
 (NeiHu Technology Park)  
 8F, No.60, ZhouZi St. NeiHu, Taipei 114, Taiwan  
 TEL: +886 2 2659-1021 FAX: +886 2 2659-0237  
 WEB: www.ctcu.com