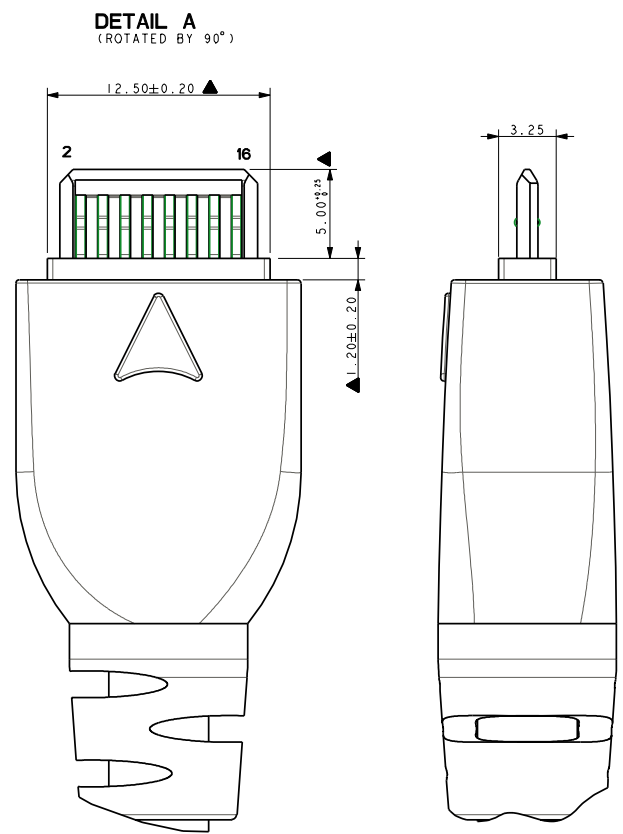
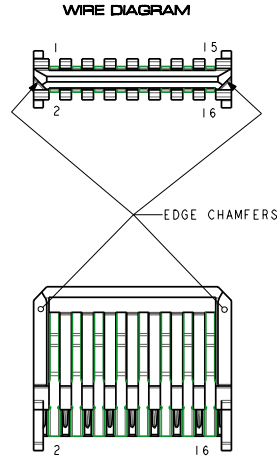
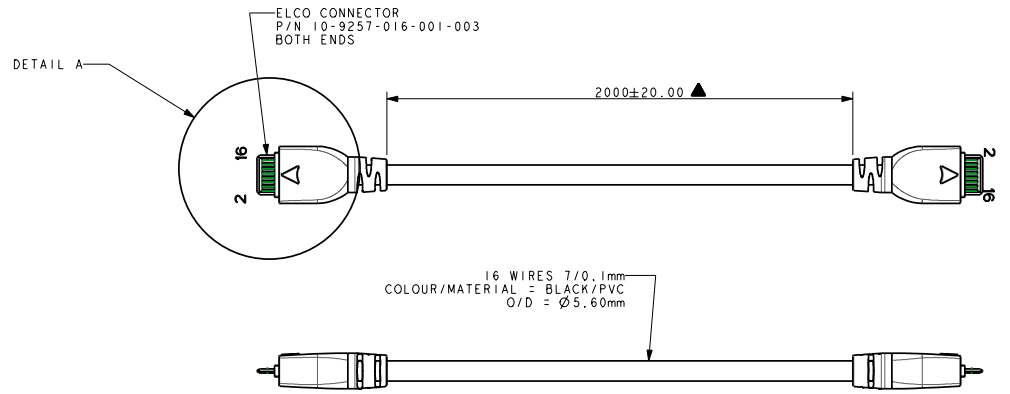




ELCO EUROPE (A DIVISION OF AVX LTD.) CONFIDENTIAL PROPRIETARY THE DRAWING ON THIS PRINT AND INFORMATION THEREWITH ARE PROPRIETARY TO ELCO EUROPE (A DIVISION OF AVX LTD.) AND SHALL NOT BE USED OR DISCUSSED IN WHOLE OR IN PART WITHOUT ELCO EUROPE'S WRITTEN CONSENT.

Part Number	Part Description	U/M	Type	Issue	Release	Pack
58-9257-000-000-012S	9257 OVERMOULDED CABLE -		EA	P	C	102459

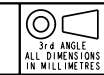


NOTES:  
 1. ALL WIRES CONNECTED PIN 1 TO PIN 1, PIN 2 TO PIN 2 ETC.  
 2. PARTS TO BE COILED TIE WRAPPED AND PACKED INDIVIDUALLY INTO BAGS  
 3. ALL DIMENSIONS FOR REFERENCE UNLESS TOLERANCED AND MARKED THUS ▲

Pin No	DESCRIPTION	COLOUR
1	30 AWG (7/0.10)	BLACK
2	30 AWG (7/0.10)	BROWN
3	30 AWG (7/0.10)	RED
4	30 AWG (7/0.10)	ORANGE
5	30 AWG (7/0.10)	YELLOW
6	30 AWG (7/0.10)	GREEN
7	30 AWG (7/0.10)	BLUE
8	30 AWG (7/0.10)	PURPLE
9	30 AWG (7/0.10)	GREY
10	30 AWG (7/0.10)	WHITE
11	30 AWG (7/0.10)	PINK
12	30 AWG (7/0.10)	LIGHT GREEN
13	30 AWG (7/0.10)	LIGHT BLUE
14	30 AWG (7/0.10)	BLK/WHT
15	30 AWG (7/0.10)	BRN/WHT
16	30 AWG (7/0.10)	RED/WHT

FORM 105-01-056-3 ISS-7  
 REV. NO.  
 102280  
 102280  
 102459

ELCO EUROPE (A DIVISION OF AVX LTD.) CONFIDENTIAL PROPRIETARY THE DRAWING ON THIS PRINT AND INFORMATION THEREWITH ARE PROPRIETARY TO ELCO EUROPE (A DIVISION OF AVX LTD.) AND SHALL NOT BE USED OR DISCUSSED IN WHOLE OR IN PART WITHOUT ELCO EUROPE'S WRITTEN CONSENT.



Drawn GKJ	Description 9257 OVERMOULDED CABLE -	DATE 28-Jul-08
Size CV	Part Number 58-9257-000-000-012S	Issue C