

LX-1000 Quick Start Instructions

451-0321E

This document is intended to help you get your LX-1000 unit up and running quickly. It includes basic hardware installation, how to obtain IP information, and how to perform a software installation for the first time. If you prefer a more detailed explanation of these procedures, refer to the *Getting Started with the LX-1000 Series* manual.

Rack-Mounting the Unit

- You can mount the unit to the front or side of a rack, or to a wall or desk-top.
- MRV provides the following mounting screws: Two 4-40 x 1/4" screws for attaching the bracket to the unit, and two 10-32 screws to attach to the rack.
- Unit must be installed in an environment with 5% to 90% humidity, noncondensing, 0° - 40° C (32°-104° F).
- Do not choose a location where the unit will be exposed to direct sunlight or subjected to vibration.

Mounting the LX-1000 Unit

You can mount the LX-1000 unit in three ways: rack mount, wall mount, and desk top. Figure 1 shows an example of rack-mounting a 2-port LX-1000. The 4-port LX-1000 mounts the same way. Refer to *Getting Started with the LX-1000 Series* for further information on mounting options for the LX-1000.

Rack Mount

You can rack mount the LX-1000 to the side of the rack (see Figure 1) or to the front of the rack. Attach the brackets to the unit, and then mount the unit in the rack.

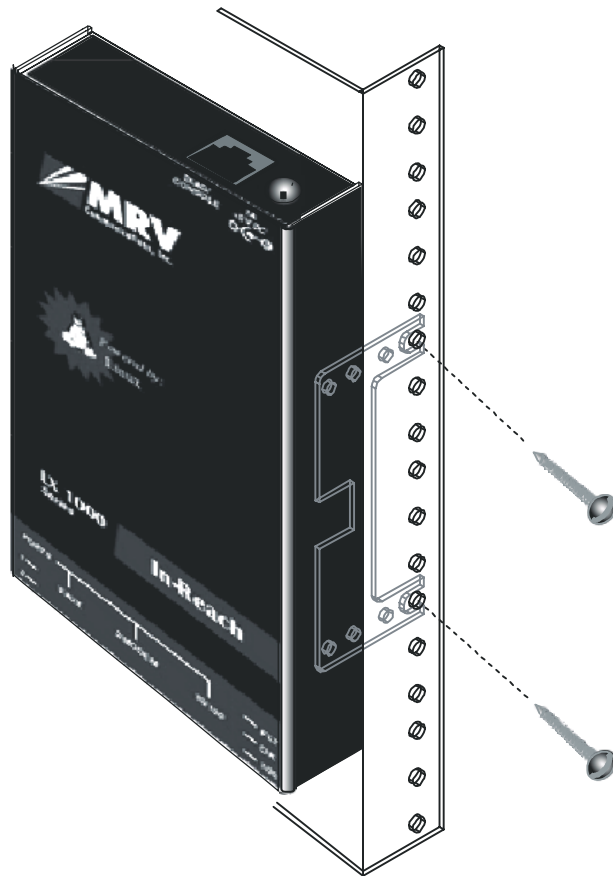


Figure 1 - Side-Mounting an LX-1000 Series in a Rack

Wall Mount

Attach the brackets to the unit, and then mount the unit on the wall. Refer to *Getting Started with the LX-1000 Series* for further information.

Desk Top Mount

Attach the four rubber feet to the bottom of the unit, and then place the unit on a flat surface.

Connecting Power

This section explains the cable connections for the LX-1000 unit. Refer to *Getting Started with the LX-1000 Series* for further information.

Connect the Power Cable

Connect the supplied external power supply cable to the DC power connector on the rear of the LX-1000 unit and plug the other end into a wall outlet. The wall outlet type determines which adapter cable you need. The North American adapter cable is a standard 2-prong connector.

The international adapter cable ships with several detached plug-in connectors. Fit the connector you want into the slot on the top face of the international adapter and slide it downward until it snaps into place over the push-down tab. Make sure the connector is seated properly before you use it.

To remove a plug-in connector, press the push-down tab and slide the connector up and out of the slot.

Tie-Wrap Strain Relief

A small, black tie-wrap is included in the rack-mount kit. Thread this through the metal loop on the side of the LX-1000 unit, hold the adapter cable flush with the side of the unit (over the metal loop), and fasten the adapter cable to the side of the unit. This reduces strain on the adapter cable connection. Refer to the *Getting Started with the LX-1000 Series* manual for further details.

Cabling the LX-1000 Unit

Cable the LX-1000 unit as follows:

- Connect the 10/100 Ethernet network cable to the 10/100 port on the front of the unit (see Figure 2, Figure 3, and Figure 4). The LINK LED comes on steady if the cable is properly connected.

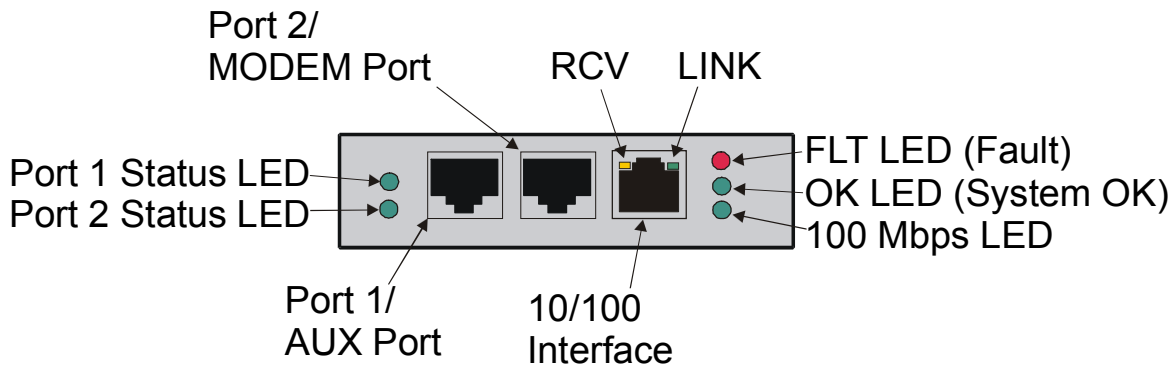


Figure 2 - LX-1000 Series 2-Port Front Panel

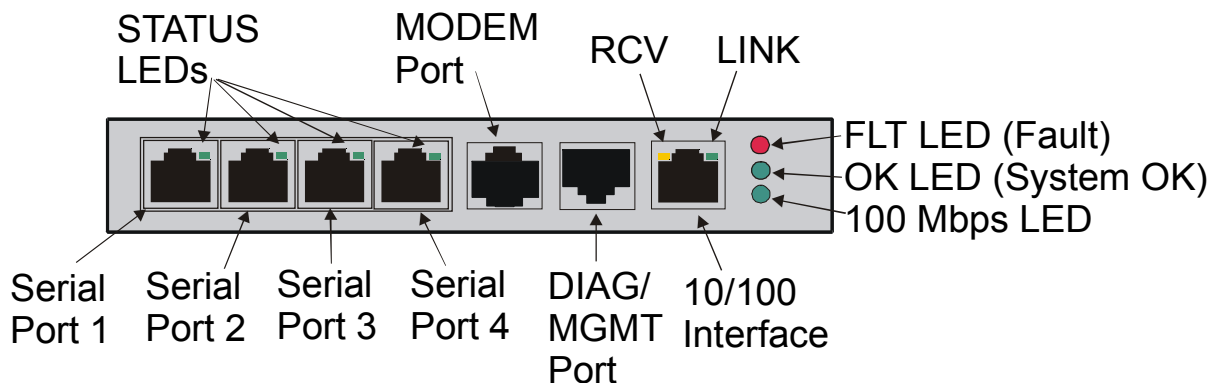


Figure 3 - LX-1000 Series 4-Port Front Panel

- If you want to use the 100Base FX full-duplex connection SFP (Small Form Pluggable) port, insert an appropriate SFP transceiver (not included) into the SFP receptacle on the LX-1004. SFP modules are small, hot-swappable transceiver components that can be plugged into a variety of networking equipment. SFP modules are either multimode or single-mode optical transceivers. The LX SFP port is a 100Base FX full-duplex connection, which requires a fiber cable with an SC style termination. Supported SFPs are Luminent Corporation’s SFP-MR-SR1 Single Mode 1310NM and SFP-MR2-M Multi-Mode 1310NM.

Connect a fiber cable with an SC style connector into the SFP transceiver (see Figure 4).

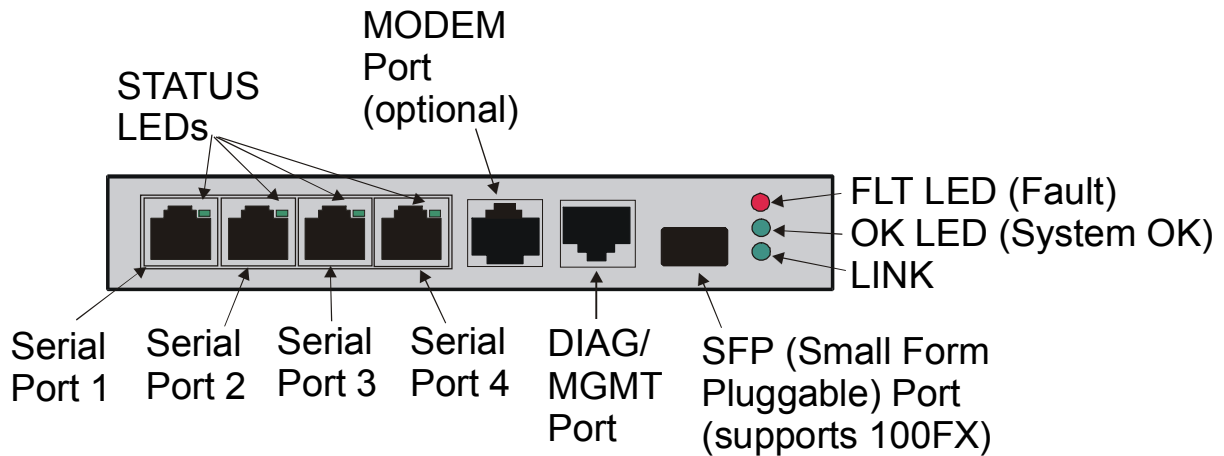


Figure 4 - LX-1000 Series Front Panel with SFP (Small Form Pluggable) Slot

- Connect the provided serial port cable to the DIAG/MGMT port (port 0) (see Figure 3, Figure 4, and Figure 5), and the other end to your terminal.

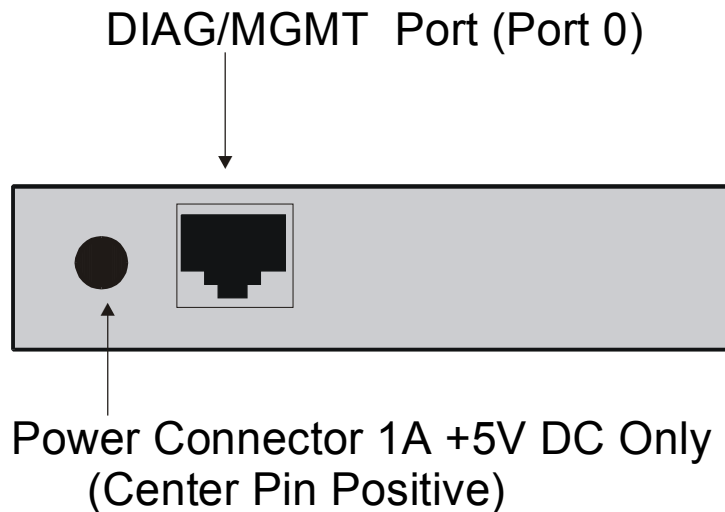


Figure 5 - DIAG/MGMT Port (Port 0), LX-1000 2-Port Unit Rear View

- Connect your serial network element devices (terminals, routers, etc.) to the async ports on the front of the LX-1000 and power them on.

Obtaining IP Information

The LX is an intelligent unit; by default the LX attempts to obtain IP information via the DHCP, BOOTP, or RARP loading methods. If you choose to use these methods, a DHCP, BOOTP, or RARP server must also be configured on the network to support the LX-1000 unit, as needed. Otherwise, you can manually configure an IP address using the terminal connected to port 0 (see Figure 5). Refer to *Getting Started with the LX-1000 Series* or to *LX-Series Configuration Guide* for further information.

You must first cable the unit according to the instructions in this document or in *Getting Started with the LX-1000 Series*.

First Time Quick Configuration

NOTE: Quick configuration runs on the DIAG/MGMT port (port 0) on all models when booting from default parameters.

NOTE: Display problems may occur during bootup when you attach a terminal to the DIAG/MGMT port (port 0) and the display setup is configured to Smooth-2 Scroll. To avoid this, change the scroll setting to Jump Scroll.

Use the following procedure to configure your LX-1000 unit for the first time.

1. Plug in the terminal at the DIAG/MGMT port (port 0 - port values are 9600 bps, eight data bits, one stop bit, no parity, and Xon/Xoff flow control). The Main Menu appears.
2. Press **b** to boot the LX-1000 unit. The setup takes a minute or two. The "The unit has loaded to factory defaults, would you like to run Initial Connectivity Setup? y/n" message appears.
3. Press **y** (yes) and press **Enter**. The "Enter your superuser password" message appears, followed by the Superuser Password prompt.
4. Enter the superuser password **system**. The Quick Configuration menu appears:

```

Quick Configuration menu
      1 Unit IP address
      2 Subnet mask
      3 Default Gateway
      4 Domain Name Server
      5 Domain Name Suffix
      6 Cluster Secret
      7 Superuser Password
      8 Exit and Save

Enter your choice:

```

5. Press the number corresponding to the parameter you want to set.
6. Enter the appropriate information and press **Enter** to return to the Quick Configuration menu. Once you enter a parameter value, a data entry line specific to that parameter appears on the Quick Configuration menu.

- Continue in this way through the menu, configuring as many parameters as you want. You are not required to configure all parameters.

NOTE: You should change the Superuser Password. If this is the first time you are configuring the LX-1000 unit, the default password is `system`.

- Press 8 (Exit and Save) to save your changes. The "Is this information correct?" message appears.

```
CONFIGURATION SUMMARY
      1 Unit IP address           10.80.1.5
      2 Subnet mask               255.0.0.0
      3 Default Gateway
      4 Domain Name Server
      5 Domain Name Suffix
      6 Cluster Secret            Configured
      7 Superuser Password       Not Changed
      8 Exit and Save

Is this information correct? (y/n) :
```

- Press `y` (yes) and press Enter. The "Save this information to flash?" message appears.
- Press `y` (yes) and press Enter. The information is saved to flash.
- Press Enter several times to display the `Login:` prompt. You can now use the LX-1000 unit.

NOTE: Login username and password are case-sensitive.

You can also access the LX via the Graphical User Interface (GUI) by typing the unit's IP address in your browser. Refer to *Getting Started with the LX-1000 Series* for more information on how to access and configure the GUI.

Configuring Server Parameters

The ports on the unit are set to factory defaults. For example, all async ports are set to 9600/8/1/None, with access remote, xon flow control, and terminal type ANSI. You can change them from the defaults if you want by connecting to the DIAG/MGMT port (port 0). This port is set for local access.

Changing the Defaults via the CLI

To change the defaults via the CLI:

- Enter the default login username (`InReach`).
- Enter the default login password (`access`).
- At the `In-Reach:0>` prompt, enter `enable`. The `Password:` prompt appears.
- Enter `system` or your new Admin password that was set in the Quick Configuration menu. The Superuser `In-Reach:>>` prompt appears.
- Enter `config` and press Enter. The Configuration prompt `Config:0>>` appears.

6. Enter `port async port_number`. The 2-port unit has valid port numbers 1 and 2, whereas the 4-port unit with the internal modem has valid port numbers 1 through 5. The `Async 1-1:0>>` prompt appears when you are to make changes to port 1 parameters.
7. Press `?` or `<TAB>`. The `Port Async Commands` list appears. Here you can modify any of the default port parameters you want.
8. When you are finished making changes, enter `end` to return to the `In-Reach:>>` prompt.
9. To save your configuration, enter the command `save configuration flash`.

Changing the Defaults via the Graphical User Interface

At the **Configuration Console** window, select **Ports: Async**. The Async window appears. Here you can modify any of the port default parameters you want. Refer to *Getting Started with the LX-1000 Series* for more information on the Graphic User Interface (GUI).