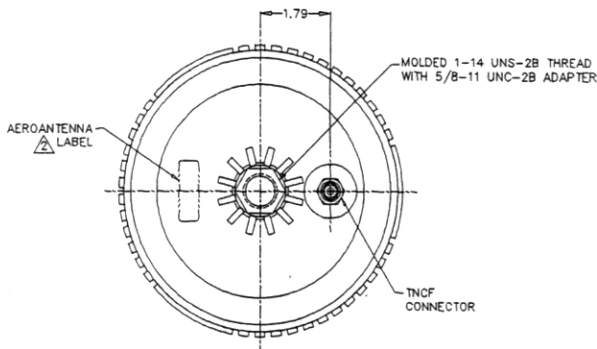
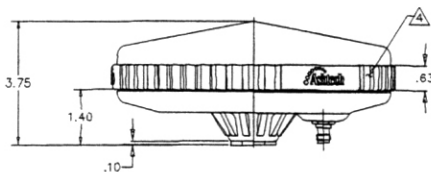
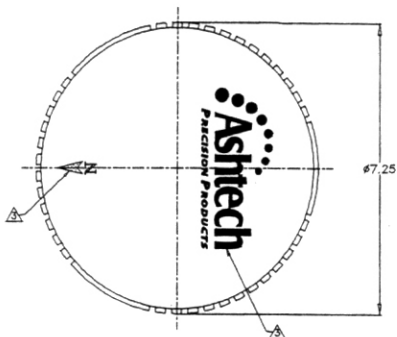


PROPRIETARY NOTICE: This document contains proprietary information of AAT Inc. neither the document nor said proprietary information shall be published, reproduced, copied, disclosed or used for any purpose other than consideration of this document without the express written permission of a duly authorized representative of said Company.

NOTES:

1. LOGO OPTIONAL.
2. LABEL SIZE, SHAPE, AND CONTENTS SUBJECT TO CHANGE WITHOUT NOTICE.
3. LOGO LOCATION.
4. COLOR OPTIONAL: BLUE
BLACK
5. TOLERANCES: .XX ± .03
.XXX ± .010



PM2

Dimensions in inches

SPECIFICATION:

FREQUENCY: 1575 ± 10 MHz

POLARIZATION: RHCP

AXIAL RATIO: 3 dB MAX

RADIATION COVERAGE:

TBD	dBic	0°	<	0°	0°
TBD	dBic	75°	<	0°	75°
TBD	dBic	80°	<	0°	80°
TBD	dBic	80°	<	0°	85°
				0°	90°

AMPLIFIER:

GAIN: 12 dB

NOISE FIGURE: 2.5 dB MAX

IMPEDANCE: 50 OHMS

VSWR: ≤ 2.0:1

BAND REJECTION: 40db @ 1625 MHz

POWER HANDLING: 1 WATT

FINISH: WEATHERABLE POLYMER

CONNECTOR: TNCF

WEIGHT: 1.05 LBS

OPERATING TEMP: -55°C TO +85°C

DESIGNED TO: D0-160

REVISIONS		DATE	APPD
3	ENGR. RELEASE		

PART NO. DESIGNATION:

AT575-189X-XXXX-XXX-XX-XX-XX

- COLOR
- * W = WHITE
 - * S = SMOKE GRAY
 - * O = OLIVE DRAB
 - * B = BLUE
- CONNECTOR
- * TNCM = TNC MALE
 - * TNCF = TNC FEMALE
 - * BNCM = BNC MALE
 - * BNCF = BNC FEMALE
 - * MCXM = MCX MALE
 - * MCXF = MCX FEMALE
 - * SMA M = SMA MALE
 - * SMA F = SMA FEMALE
 - * NTPM = N TYPE MALE
 - * NTPF = N TYPE FEMALE
 - * 0000 = NO TERMINATION
- CABLE LENGTH
- * 000 = IN INCHES
- MAGNET
- * NM = NO MAGNET
 - * IM = INTERNAL
 - * RM = REMOVABLE
 - * HD = HEAVY DUTY
- GAIN (± 2 dB)
- * 00 = PASSIVE
 - * 14 = 14 dB (12 mA)
 - * 26 = 26 dB
 - * 38 = 38 dB
 - * XX = OTHER
- VOLTAGE
- * 00 = PASSIVE
 - * 03 = +3 VDC
 - * 05 = +5 VDC
 - * RG = +2.6 TO +5.6 VDC
 - * XX = OTHER

* = OPTION NOT AVAILABLE WITH THIS MODEL
STANDARD MODEL = AT575-189W-TNCF-000-RG-14-NM

110454

CODE IDENT	PART OR IDENTIFYING NO.	NOMENCLATURE OR DESCRIPTION	MATERIAL/SPECIFICATION	ITEM NO.	
LIST OF MATERIALS					
DRWN BY	S.VALDES	11/27/00			
CHECK					
PROJ ENGR					
QA					
TITLES					
L1 GPS ANTENNA					
UNLESS OTHERWISE SPECIFIED					
DO NOT SCALE DRAWING TOLERANCES					
DIMENSIONS ARE IN INCHES XX ± .01 XXX ± .005 ANGLES ± 1/2°					
NEXT ASSY	USED ON	SIZE	CAGE CODE	DRAWING NO.	REV
		B	OUVG2	AT575-189	3
APPROVALS					
INDICATES SURFACE ROUGHNESS PER MIL-STD-10					
APPLICATION		SCALE NONE	AT575-189R3	SHEET 1	OF 1