

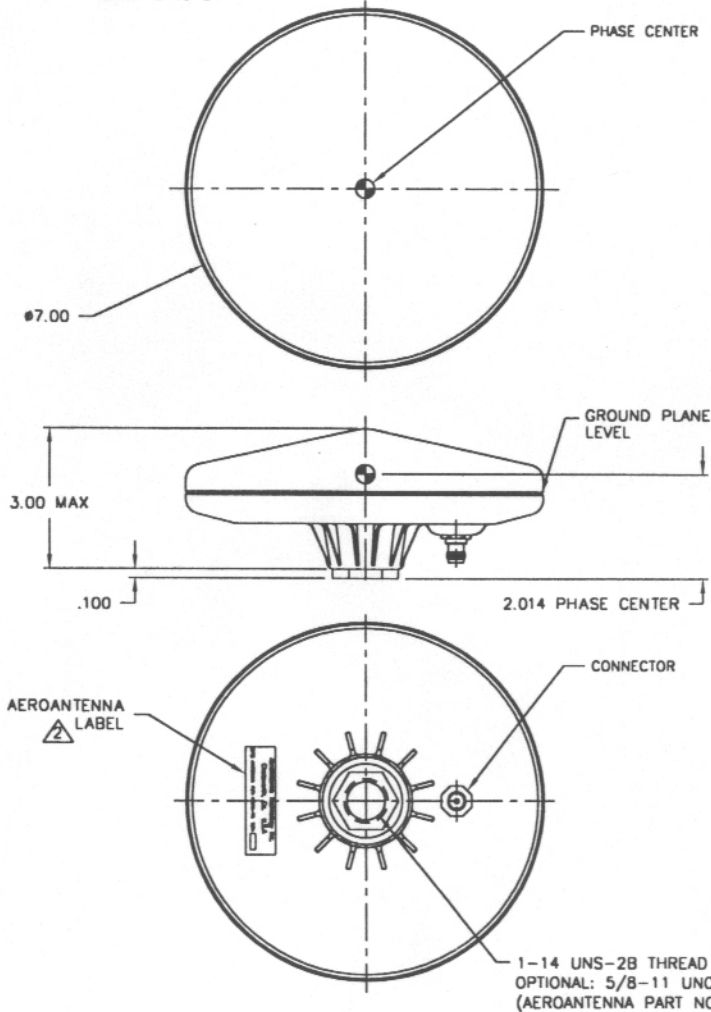
PROPRIETARY NOTICE: This document contains proprietary information of AAT Inc. neither the document nor sold proprietary information shall be published, reproduced, copied, disclosed or used for any purpose other than consideration of this document without the express written permission of a duly authorized representative of said Company.

103661

REVISONS				
LTR	DESCRIPTION	EFFECTIVITY	DATE	APPD
G	UPDATE FOR CURRENT PRODUCTION	ECO #2781	06/02/98	

NOTES: UNLESS OTHERWISE SPECIFIED.

- LOGO OPTIONAL.
- LABEL SIZE, SHAPE, AND CONTENTS SUBJECT TO CHANGE WITHOUT NOTICE.
- TOLERANCES: .XX ± .03
.XXX ± .010



SPECIFICATION:

FREQUENCY: 1575 ± 5MHz
 POLARIZATION: RIGHT HAND CIRCULAR σ
 AXIAL RATIO: 3 dB MAX
 RADIATION COVERAGE: 4.0 dBic $\theta = 0^\circ$
 -1.0 dBic $0^\circ < \theta < 75^\circ$
 -2.5 dBic $75^\circ \leq \theta < 80^\circ$
 -4.5 dBic $80^\circ \leq \theta < 85^\circ$
 -7.5 dBic $\theta = 90^\circ$

AMPLIFIER:
 NOISE FIGURE: 2.5 dB MAX
 IMPEDANCE: 50 OHMS
 VSWR: $\leq 2.0:1$
 BAND REJECTION: 35 dB @ 1625 MHz
 POWER HANDLING: 1 WATT

FINISH: WEATHERABLE POLYMER
 CONNECTOR: SEE TABLE
 WEIGHT: 13 OZ
 ALTITUDE: 12,000'
 TEMPERATURE: -40°C TO +70°C
 DESIGNED TO: DO-160C

PART NO. DESIGNATION:

AT575-75X-XXXX-XXX-XX-XX-XX

- COLOR
- W = WHITE
 - S = SMOKE GRAY
 - O = OLIVE DRAB
- CONNECTOR
- TNCM = TNC MALE
 - TNCF = TNC FEMALE
 - BNCM = BNC MALE
 - BNCF = BNC FEMALE
 - MCXM = MCX MALE
 - MCXF = MCX FEMALE
 - SMAM = SMA MALE
 - SMAF = SMA FEMALE
 - NTPM = N TYPE MALE
 - NTPF = N TYPE FEMALE
 - 0000 = NO TERMINATION
- CABLE LENGTH
- 000 = IN INCHES
- MAGNET
- NM = NO MAGNET
 - IM = INTERNAL
 - RM = REMOVABLE
 - HD = HEAVY DUTY
- GAIN (± 2 dB)
- 00 = PASSIVE
 - 12 = 12 dB (20 mA)
 - 26 = 26 dB (35 mA)
 - 36 = 36 dB (50 mA)
 - XX = OTHER
- VOLTAGE
- 00 = PASSIVE
 - 05 = 5 VDC
 - RG = 5-18 VDC
 - XX = OTHER

* = OPTION NOT AVAILABLE WITH THIS MODEL

STANDARD MODEL = AT575-75W-TNCF-000-RG-26-NM

CODE IDENT	PART OR IDENTIFYING NO.	NOMENCLATURE OR DESCRIPTION	MATERIAL/SPECIFICATION	ITEM NO.
LIST OF MATERIALS				
DRWN BY	TIVAROVSKY	4/3/97		
CHECK	G. SHACHAR	12/05/95		
PROJ ENGR	J. AMADO	12/04/95		
O.A.				
APPROVAL	J. KLEIN	12/05/95	TITLE	
UNLESS OTHERWISE SPECIFIED			GPS ANTENNA	
DO NOT SCALE DRAWING TOLERANCES DIMENSIONS ARE IN INCHES $\pm .01$ $\pm .005$ ANGLES $\pm 1/2^\circ$			SIZE	REV
NEXT ASSY	USED ON	SCALE NONE	B OUVG2	G
APPLICATION			AT575-75G	SHEET 1 OF 1

Marine IV