

2008

110110011
63356100111111119911
002665644999111001



Product Matrix

	Fibre to Fibre RAID Subsystem		Fibre RAID Head	
	4G FC	4G FC	4G FC	4G FC
Product Image				
Model	F16F-R4031-6	F16F-S4031-6	FF-R4030-6	FF-S4030-6
Redundant Controller	Yes	Single upgradeable to redundant	Yes	Single upgradeable to redundant
Form Factor	3U Rackmount	3U Rackmount	1U Rackmount	1U Rackmount
Drive Bays	16	16	-	-
Max. Number of Drives	224 (4G FC)	224 (4G FC)	224 (4G FC) + 48 (SATA-II 3Gb/s)	224 (4G FC) + 48 (SATA-II 3Gb/s)
RAID Engine	ASIC400	ASIC400	ASIC400	ASIC400
RAID Levels	0, 1(0+1), 3, 5, 6, 10, 30, 50, 60	0, 1(0+1), 3, 5, 6, 10, 30, 50, 60	0, 1(0+1), 3, 5, 6, 10, 30, 50, 60	0, 1(0+1), 3, 5, 6, 10, 30, 50, 60
Host Channel	6CH, 4G FC with Hub function (2 SFP for each channel)		6CH, 4G FC with Hub function (2 SFP for each channel)	
Drive Channel	CH0,1: Host channel CH2,3: Drive Channel CH4,5: User Configurable as Drive or Host Channel		CH0,1: Host channel CH2,3: Drive Channel CH4,5: User Configurable as Drive or Host Channel	
Expansion Channel			For R : 2CH, SAS 4x, 2 x (SFF-8470) Expansion Ports For S : 1CH, SAS 4x, 1 x (SFF-8470) Expansion Port	
Cache Memory (per Controller)	512MB – 2GB DDR	512MB – 2GB DDR	512MB – 2GB DDR	512MB – 2GB DDR
Battery Backup (Memory)	Yes	Yes	Yes	Yes
Redundant Power Supply	Yes	Yes	Yes	Yes
Redundant Fan Modules	Yes	Yes	Yes	Yes
Management	Text-based management utility via RS-232 or Telnet, or embedded RAIDWatch			
Software Support				

	Fibre SBOD	SAS JBOD			
	4G FC				
Product Image					
Model	F16F-J4000-R	S16S-J1000-R	S16S-J1000-S	S12S-J1002-R	S12S-J1000-G
Redundant Controller	Yes	Yes	Single upgradeable to redundant	Yes	No
Form Factor	3U Rackmount	3U Rackmount	3U Rackmount	2U Rackmount	2U Rackmount
Drive Bays	16	16	16	12	12
Drive Type	4G FC	SAS / SATA-II 3Gb/s *	SAS / SATA-II 3Gb/s *	SAS / SATA-II 3Gb/s*	SAS / SATA-II 3Gb/s*
Host Channel	2CH, 4G FC, 4 x SFP (Loop Switching)				
Drive Channel	SAS 4x, 4 x (SFF-8470)				
Expansion Channel	SAS 4x, 2 x (SFF-8470)				
RAID Engine	Managed by RAID				
RAID Levels	Managed by RAID				
Cache Memory (Per Controller)	Managed by RAID				
Battery Backup (Memory)	Managed by RAID				
Management	Managed by RAID				
Redundant Fan Modules	Yes	Yes	Yes	Yes	Yes
Redundant Power Supply	Yes	Yes	Yes	Yes	Yes
Software Support	Managed by RAID				

* Depending on connected RAID model, to support SAS or SATA-II drives.

	Fibre to SAS Subsystem			
	4G FC	4G FC	4G FC	4G FC
Product Image				
Model	S16F-R1430	S16F-G1430	S12F-R1420	S12F-G1420
Redundant Controller	Yes	No	Yes	No
Form Factor	3U Rackmount	3U Rackmount	2U Rackmount	2U Rackmount
Drive Bays	16	16	12	12
Max. Number of Drives	64	80	12	12
RAID Engine	ASIC400	ASIC400	ASIC266	ASIC266
RAID Levels	0, 1(0+1), 3, 5, 6, 10, 30, 50, 60	0, 1(0+1), 3, 5, 6, 10, 30, 50, 60	0, 1(0+1), 3, 5, 6, 10, 30, 50, 60	0, 1(0+1), 3, 5, 6, 10, 30, 50, 60
Host Channel	4CH, 4G FC, 8 x SFP with Hub function		2CH, 4G FC, 4 x SFP with Hub function	
Drive Channel	SAS / SATA-II 3Gb/s		SAS / SATA-II 3Gb/s	
Expansion Channel	SAS 4x, 2 x (SFF-8470)		SAS 4x, 1 x (SFF-8470)	
Cache Memory (per Controller)	512MB – 2GB DDR	512MB – 2GB DDR	512MB – 2GB DDR	512MB – 2GB DDR
Battery Backup (Memory)	Yes	Optional	Yes	Optional
Redundant Power Supply	Yes	Yes	Yes	Yes
Redundant Fan Modules	Yes	Yes	Yes	Yes
Management	Text-based management utility via RS-232 or Telnet, or embedded RAIDWatch			
Software Support				

	Fibre to SAS Subsystem		Fibre to SATA RAID Subsystem	
	4G FC	4G FC	4G FC	4G FC
Product Image				
Model	S12F-R1432	S12F-G1433	A24F-R2430	A24F-G2430
Redundant Controller	Yes	No	Yes	No
Form Factor	2U Rackmount	2U Rackmount	4U Rackmount	4U Rackmount
Drive Bays	12	12	24	24
Max. Number of Drives	48	60	56	88
RAID Engine	ASIC400	ASIC400	ASIC400	ASIC400
RAID Levels	0, 1(0+1), 3, 5, 6, 10, 30, 50, 60	0, 1(0+1), 3, 5, 6, 10, 30, 50, 60	0, 1(0+1), 3, 5, 6, 10, 30, 50, 60	0, 1(0+1), 3, 5, 6, 10, 30, 50, 60
Host Channel	4CH, 4G FC, 4 x SFP	2CH, 4G FC, 2 x SFP	4CH, 4G FC, 8 x SFP with Hub function	2CH, 4G FC, 2 x SFP with Hub function
Drive Channel	SAS / SATA-II 3Gb/s	SAS / SATA-II 3Gb/s	SAS / SATA-II 3Gb/s	SAS / SATA-II 3Gb/s
Expansion Channel	SAS 4x, 2 x (SFF-8088)	SAS 4x, 1 x (SFF-8088)	SAS 4x, 2 x (SFF-8470)	SAS 4x, 1 x (SFF-8470)
Cache Memory (per Controller)	512MB – 2GB DDR	512MB – 2GB DDR	512MB – 2GB DDR	512MB – 2GB DDR
Battery Backup (Memory)	Yes	Optional	Yes	Optional
Redundant Power Supply	Yes	Yes	Yes	Yes
Redundant Fan Modules	Yes	Yes	Yes	Yes
Management	Text-based management utility via RS-232 or Telnet, or embedded RAIDWatch			
Software Support				

	Fibre to SATA RAID Subsystem			
	4G FC	4G FC	4G FC	4G FC
Product Image				
Model	A16F-R2431	A16F-G2430	A12F-G2422	A08F-G2422
Redundant Controller	Yes	No	No	No
Form Factor	3U Rackmount	3U Rackmount	2U Rackmount	2U Rackmount
Drive Bays	16	16	12	8
Max. Number of Drives	16	16	12	8
RAID Engine	ASIC400	ASIC400	ASIC266	ASIC266
RAID Levels	0, 1(0+1), 3, 5, 6, 10, 30, 50, 60	0, 1(0+1), 3, 5, 6, 10, 30, 50, 60	0, 1(0+1), 3, 5, 10, 30, 50	0, 1(0+1), 3, 5, 10, 30, 50
Host Channel	4CH, 4G FC, 8 x SFP with Hub function	2CH, 4G FC, 2 x SFP	2CH, 4G FC, 2 x SFP	2CH, 4G FC, 2 x SFP
Drive Channel	SAS / SATA-II 3Gb/s	SAS / SATA-II 3Gb/s	SATA-II 3Gb/s	SATA-II 3Gb/s
Expansion Channel	–	–	–	–
Cache Memory (per Controller)	512MB – 2GB DDR	512MB – 2GB DDR	512MB – 2GB DDR	512MB – 2GB DDR
Battery Backup (Memory)	Yes	Optional	Optional	Optional
Redundant Power Supply	Yes	Yes	Yes	Yes
Redundant Fan Modules	Yes	Yes	Yes	Yes
Management	Text-based management utility via RS-232 or Telnet, or embedded RAIDWatch			
Software Support				

	Fibre to 2.5" SAS Subsystem		SAS to 2.5" SAS RAID Subsystem	
	4G FC	4G FC		
Product Image				
Model	B12F-R1430	B12F-G1430	B12S-R1030	B12S-G1030
Redundant Controller	Yes	No	Yes	No
Form Factor	1U Rackmount	1U Rackmount	1U Rackmount	1U Rackmount
Drive Bays	12	12	12	12
Max. Number of Drives	48 (2.5" SAS) / 12 (2.5" SAS) + 48 (SATA-II 3Gb/s)	60 (2.5" SAS) / 12 (2.5" SAS) + 64 (SATA-II 3Gb/s)	48 (2.5" SAS) / 12 (2.5" SAS) + 48 (SATA-II 3Gb/s)	60 (2.5" SAS) / 12 (2.5" SAS) + 64 (SATA-II 3Gb/s)
RAID Engine	ASIC400	ASIC400	ASIC400	ASIC400
RAID Levels	0, 1(0+1), 3, 5, 6, 10, 30, 50, 60	0, 1(0+1), 3, 5, 6, 10, 30, 50, 60	0, 1(0+1), 3, 5, 6, 10, 30, 50, 60	0, 1(0+1), 3, 5, 6, 10, 30, 50, 60
Host Channel	4CH, 4G FC, 4 x SFP	2CH, 4G FC, 2 x SFP	2CH, SAS 4x, 4 x (SFF-8088)	2CH, SAS 4x, 2 x (SFF-8088)
Drive Channel	2.5" SAS	2.5" SAS	2.5" SAS	2.5" SAS
Expansion Channel	SAS 4x, 2 x (SFF-8088)	SAS 4x, 1 x (SFF-8088)	SAS 4x, 2 x (SFF-8088)	SAS 4x, 1 x (SFF-8088)
Cache Memory (per Controller)	512MB – 2GB DDR	512MB – 2GB DDR	512MB – 2GB DDR	512MB – 2GB DDR
Battery Backup (Memory)	Yes	Optional	Yes	Optional
Redundant Power Supply	Yes	Yes	Yes	Yes
Redundant Fan Modules	Yes	Yes	Yes	Yes
Management	Text-based management utility via RS-232 or Telnet, or embedded RAIDWatch			
Software Support				

	2.5" SAS JBOD		SAS to SAS RAID Subsystem	
Product Image				
Model	B12S-J1000-R	B12S-J1000-S	S16S-R1030	S16S-G1030
Redundant Controller	Yes	Single upgradeable to redundant	Yes	No
Form Factor	1U Rackmount	1U Rackmount	3U Rackmount	3U Rackmount
Drive Bays	12	12	16	16
Max. Number of Drives	12 (2.5" SAS)	12 (2.5" SAS)	64	80
RAID Engine	Managed by RAID		ASIC400	ASIC400
RAID Levels			0, 1(0+1), 3, 5, 6, 10, 30, 50, 60	0, 1(0+1), 3, 5, 6, 10, 30, 50, 60
Host Channel			2CH, SAS 4x, 4 x (SFF-8470)	2CH, SAS 4x, 2x (SFF-8470)
Drive Channel	SAS 4x, 4 x (SFF-8088)	SAS 4x, 2 x (SFF-8088)	SAS / SATA-II 3Gb/s	SAS / SATA-II 3Gb/s
Expansion Channel			SAS 4x, 2 x (SFF-8470)	SAS 4x, 1 x (SFF-8470)
Cache Memory (per Controller)	Managed by RAID		512MB – 2GB DDR	512MB – 2GB DDR
Battery Backup (Memory)			Yes	Optional
Redundant Power Supply	Yes	Yes	Yes	Yes
Redundant Fan Modules	Yes	Yes	Yes	Yes
Management	Managed by RAID		Text-based management utility via RS-232 or Telnet, or embedded RAIDWatch	
Software Support				

	SAS to SAS RAID Subsystem		SAS to SATA RAID Subsystem	
Product Image				
Model	S12S-R1032	S12S-G1033	A24S-R2130	A24S-G2130
Redundant Controller	Yes	No	Yes	No
Form Factor	2U Rackmount	2U Rackmount	4U Rackmount	4U Rackmount
Drive Bays	12	12	24	24
Max. Number of Drives	48	60	56	88
RAID Engine	ASIC400	ASIC400	ASIC400	ASIC400
RAID Levels	0, 1(0+1), 3, 5, 6, 10, 30, 50, 60	0, 1(0+1), 3, 5, 6, 10, 30, 50, 60	0, 1(0+1), 3, 5, 6, 10, 30, 50, 60	0, 1(0+1), 3, 5, 6, 10, 30, 50, 60
Host Channel	2CH, SAS 4x, 4 x (SFF-8088)	2CH, SAS 4x, 2 x (SFF-8088)	2CH, SAS 4x, 8 x (SFF-8088)	2CH, SAS 4x, 4 x (SFF-8088)
Drive Channel	SAS / SATA-II 3Gb/s	SAS / SATA-II 3Gb/s	SATA-II 3Gb/s	SATA-II 3Gb/s
Expansion Channel	SAS 4x, 2 x (SFF-8088)	SAS 4x, 1 x (SFF-8088)	SAS 4x, 2 x (SFF-8088)	SAS 4x, 1 x (SFF-8088)
Cache Memory (per Controller)	512MB – 2GB DDR	512MB – 2GB DDR	512MB – 2GB DDR	512MB – 2GB DDR
Battery Backup (Memory)	Yes	Optional	Yes	Optional
Redundant Power Supply	Yes	Yes	Yes	Yes
Redundant Fan Modules	Yes	Yes	Yes	Yes
Management	Text-based management utility via RS-232 or Telnet, or embedded RAIDWatch			
Software Support				

	SAS to SATA RAID Subsystem			
Product Image				
Model	A16S-G2130	A12S-G2130 A08S-G2130	A08S-C2132	A08S-C2131
Redundant Controller	No	No	No	No
Form Factor	3U Rackmount	2U Rackmount	Tower or Desktop (Convertible)	Tower or Desktop (Convertible)
Drive Bays	16	12 8	8	8
Max. Number of Drives	16	12 8	8	8
RAID Engine	ASIC400	ASIC400	ASIC400	ASIC400
RAID Levels	0, 1(0+1), 3, 5, 6, 10, 30, 50, 60	0, 1(0+1), 3, 5, 6, 10, 30, 50, 60	0, 1(0+1), 3, 5, 6, 10, 30, 50, 60	0, 1(0+1), 3, 5, 6, 10, 30, 50, 60
Host Channel	2CH, SAS 4x, 4 x (SFF-8088)	2CH, SAS 4x, 2 x (SFF-8088)	2CH, SAS 4x, 2 x (SFF-8088)	1CH, SAS 4x, 1 x (SFF-8088)
Drive Channel	SATA-II 3Gb/s	SATA-II 3Gb/s	SATA-II 3Gb/s	SATA-II 3Gb/s
Expansion Channel	-	-	-	-
Cache Memory (per Controller)	256MB – 2GB DDR	256MB – 2GB DDR	256MB – 1GB DDR	256MB – 1GB DDR
Battery Backup (Memory)	Optional	Optional	Optional	Optional
Redundant Power Supply	Yes	Yes	Yes	-
Redundant Fan Modules	Yes	Yes	Yes	Yes
Management	Text-based management utility via RS-232 or Telnet, or embedded RAIDWatch			
Software Support				

	SCSI to SCSI RAID Subsystem		iSCSI to SATA RAID Subsystem	
Product Image				
Model	U16U-G4020	U12U-G4020	A16E-G2130	A12E-G2121
Redundant Controller	No	No	No	No
Form Factor	3U Rackmount	2U Rackmount	3U Rackmount	2U Rackmount
Drive Bays	16	12	16	12
Max. Number of Drives	16	12	16	12
RAID Engine	ASIC266	ASIC266	ASIC400	ASIC266
RAID Levels	0, 1(0+1), 3, 5, 10, 30, 50	0, 1(0+1), 3, 5, 10, 30, 50	0, 1(0+1), 3, 5, 6, 10, 30, 50, 60	0, 1(0+1), 3, 5, 10, 30, 50
Host Channel	2CH, SCSI-320, 4 x VHDCI	2CH, SCSI-320, 4 x VHDCI	4CH, 1Gb Ethernet, 4 x (RJ-45)	2CH, 1Gb Ethernet, 2 x (RJ-45)
Drive Channel	SCSI-320	SCSI-320	SATA-II 3Gb/s	SATA-II 3Gb/s
Expansion Channel	-	-	-	-
Cache Memory (per Controller)	256MB – 2GB DDR	256MB – 2GB DDR	512MB – 2GB DDR	512MB – 2GB DDR
Battery Backup (Memory)	Optional	Optional	Optional	Optional
Redundant Power Supply	Yes	Yes	Yes	Yes
Redundant Fan Modules	Yes	Yes	Yes	Yes
Management	Text-based management utility via RS-232 or Telnet, or embedded RAIDWatch			
Software Support				

	iSCSI to SAS RAID Subsystem		SCSI to SATA RAID Subsystem	
Product Image				
Model	S16E-R1130	S16E-G1130	A24U-G2421	A16U-G2430
Redundant Controller	Yes	No	No	No
Form Factor	3U Rackmount	3U Rackmount	4U Rackmount	3U Rackmount
Drive Bays	16	16	24	16
Max. Number of Drives	64	80	24	16
RAID Engine	ASIC400	ASIC400	ASIC266	ASIC400
RAID Levels	0, 1(0+1), 3, 5, 6, 10, 30, 50, 60	0, 1(0+1), 3, 5, 6, 10, 30, 50, 60	0, 1(0+1), 3, 5, 6, 10, 30, 50, 60	0, 1(0+1), 3, 5, 6, 10, 30, 50, 60
Host Channel	8CH, 1Gb Ethernet, 8 x (RJ-45)	4CH, 1Gb Ethernet, 4 x (RJ-45)	2CH, SCSI-320, 4 x VHDCI	2CH, SCSI-320, 4 x VHDCI
Drive Channel	SAS / SATA-II 3Gb/s	SAS / SATA-II 3Gb/s	SATA-II 3Gb/s	SATA-II 3Gb/s
Expansion Channel	SAS 4x, 2 x (SFF-8088)	SAS 4x, 1 x (SFF-8088)	-	-
Cache Memory (per Controller)	512MB – 2GB DDR	512MB – 2GB DDR	512MB – 2GB DDR	256MB – 2GB DDR
Battery Backup (Memory)	Yes	Optional	Optional	Optional
Redundant Power Supply	Yes	Yes	Yes	Yes
Redundant Fan Modules	Yes	Yes	Yes	Yes
Management	Text-based management utility via RS-232 or Telnet, or embedded RAIDWatch			
Software Support				

	SCSI to SATA RAID Subsystem			
Product Image				
Model	A12U-G2421	A08U-G2421	A04U-G2421	A08U-C2412 A08U-C2411
Redundant Controller	No	No	No	No
Form Factor	2U Rackmount	2U Rackmount	1U Rackmount	Tower or Desktop (Convertible)
Drive Bays	12	8	4	8
Max. Number of Drives	12	8	4	8
RAID Engine	ASIC266	ASIC266	ASIC266	ASIC133
RAID Levels	0, 1(0+1), 3, 5, 10, 30, 50	0, 1(0+1), 3, 5, 10, 30, 50	0, 1(0+1), 3, 5, 10, 30, 50	0, 1(0+1), 3, 5, 10, 30, 50
Host Channel	2CH, SCSI-320, 4 x VHDCI	2CH, SCSI-320, 4 x VHDCI	1CH, SCSI-320, 2 x VHDCI	2CH, SCSI-320, 4 x VHDCI 1CH, SCSI-320, 2 x VHDCI
Drive Channel	SATA-II 3Gb/s	SATA-II 3Gb/s	SATA-II 3Gb/s	SATA-II 3Gb/s
Expansion Channel	-	-	-	-
Cache Memory (per Controller)	256MB – 2GB DDR	256MB – 2GB DDR	256MB – 2GB DDR	256MB – 1GB SDRAM 128MB – 1GB SDRAM
Battery Backup (Memory)	Optional	Optional	-	Optional
Redundant Power Supply	Yes	Yes	-	Yes
Redundant Fan Modules	Yes	Yes	Yes (Not hot-swappable)	-
Management	Text-based management utility via RS-232 or Telnet, or embedded RAIDWatch			
Software Support				



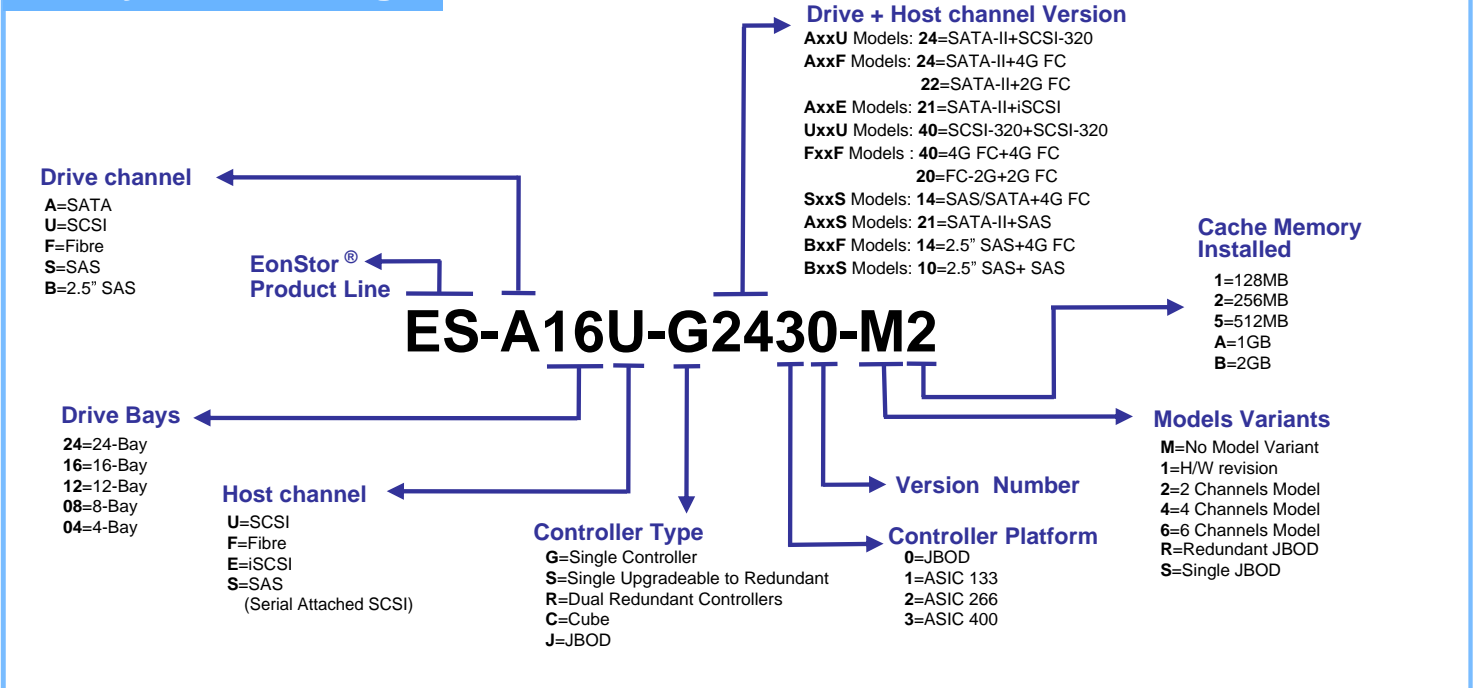
Infotrend SANWatch offers customers complete software tools to centrally manage EonStor RAID storage environment from any locations. Snapshot data service is the must-have function which can be added-on to SANWatch.

Features	Benefits
Centralized Management	Automatically discover all EonStor systems via Ethernet At-a-glance summary of all storage systems
Storage At-A-Glance	Full-featured over user-friendly graphical interface
Data Service	Snapshot back up / restore, more to come
Central Notification	Event notification via Email, Fax, SNMP traps, LAN broadcast, SMS and MSN
Multi-pathing	EonPath™ supports path redundancy and load-balancing



■ Infotrend provides a 30-day free trial program for the Snapshot data service. Please refer to http://www.infotrend.com/Request_Trial_Key/main.html for detailed trial information.

Subsystem Naming



- Copyright © 2008 by Infotrend Technology, Inc. All rights reserved.
- Any information provided herein is without warranties of any kind of and is subject to change without prior notice.
- Infotrend offers a 3-year limited warranty on subsystems and a 1-year warranty on battery backup units.
- Optional warranty upgrades available.

- Infotrend and the Infotrend logo are registered trademarks of Infotrend Technology, Inc.
- Eonstor, RAIDWatch, SANWatch and EonPath are registered trademarks of Infotrend Technology, Inc.
- All other names, brands, or services are trademarks or registered trademarks of their respective owners.



ASIA PACIFIC
Infotrend Technology, Inc.
Tel:+886-2-2226-0126
Fax:+886-2-2226-0020
sales.ap@infotrend.com
support.ap@infotrend.com
http://esupport.infotrend.com.tw
http://www.infotrend.com

AMERICAS
Infotrend Corporation
Tel:+1-408-988-5088
Fax:+1-408-988-6288
sales.us@infotrend.com
http://esupport.infotrend.com
http://www.infotrend.com/americas

EUROPE (EMEA)
Infotrend Europe Ltd.
Tel:+44-1256-707-700
Fax:+44-1256-707-889
sales.eu@infotrend.com
support.eu@infotrend.com
http://esupport.infotrend-europe.com
http://www.infotrend.com/europe

GERMANY
Infotrend Deutschland GmbH
Tel:+49-894515187- 0
Fax:+49-894515187- 65
sales.de@infotrend.com
support.eu@infotrend.com
http://www.infotrend.com/germany

CHINA
Infotrend Technology, Ltd.
Tel:+86-10-63106168
Fax:+86-10-63106188
sales.cn@infotrend.com
support.cn@infotrend.com
http://esupport.infotrend.com.tw
http://www.infotrend.com/china

JAPAN
Infotrend Japan, Inc.
TEL:+81-3-5730-6551
FAX:+81-3-5730-6552
sales.jp@infotrend.com
support.jp@infotrend.com
http://esupport.infotrend.com.tw
http://www.infotrend.com/japan