



GORE™ InfiniBand™

ASSEMBLIES

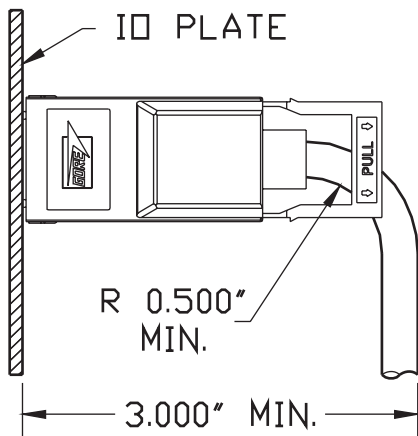
Lightweight

Summary

GORE™ Lightweight InfiniBand™ Assemblies, part of the GORE™ InfiniBand and 10 Gigabit Ethernet Cable offering, provide superior signal fidelity, low weight and enhanced flexibility. The assemblies are engineered to be compliant with either the InfiniBand or IEEE Draft P802.3ak/D5.3 standards.* The assemblies are available in standard lengths up to 20 meters, but can also be purchased in custom lengths.

GORE™ CABLE

GORE™ InfiniBand™ Assemblies use unique low dielectric materials and conductor technologies to deliver exceptional signal fidelity over long distances in the smallest cross-sectional area.



FEATURES AND BENEFITS

- Able to meet either the InfiniBand or IEEE Draft P802.3ak/D5.3 specifications*.
- Ultra-low loss
- Plug compatibility with IB/CX4 receptacle
- Ergonomic two-position latching
- Tighter bend-radius (See diagram below)
- 35% weight reduction compared to 28 AWG cable
- 40% volume reduction compared to 28 AWG cable

Cable Specification	Conductor	Maximum Length ¹
InfiniBand	GORE™ EYE-OPENER + ® Technology	5 meters (12 m) ²
CX4 IEEE Draft P802.3ak/D5.3	SPC	8 meters

¹ Maximum length determined using a standard signal without conditioning. With conditioning maximum length may significantly exceed those listed in Table.

² Tested using Mellanox solutions.

W. L. Gore & Associates, Inc.

InfiniBand is a registered trademark of the InfiniBand Trade Association. GORE and designs are trademarks of W. L. Gore & Associates, Inc. ©2006 W. L. Gore & Associates, Inc.

North America
1 (800) 445-GORE (4673)

Europe
+49 9144 6010
+44 1382 561511

International
1 (302) 292-5100

China: Beijing
+86 10 6510 2980

China: Shanghai
+86 21 6247 1999

China: Shenzhen
+86 755 8359 8262

gore.com

More international phone numbers can be found at gore.com/phone

Japan
+81 33 570 8712

Korea
+82 2 393-3411

Taiwan
+886 2 8771 7799

Singapore
+65 6 733 2882

