

RAID Array 200 Controller Bracket Installation



Product Notes
EK-SWRA2-PN. A01

This note describes how to attach an extension bracket to a RAID Controller Board. You need the extension bracket to install the controller in certain systems.

Attaching Extension Bracket to the Controller Board

The controller board is not long enough to fit in an expansion slot of an AlphaServer 2100. Therefore, you must attach an extension bracket to the controller board to provide the necessary length for it to fit in the expansion slot.

You received either one of the brackets shown in Figures 1 and 2.

To attach either of these brackets to the bare end of the controller board, follow these steps:

NOTE

You can install either kind of bracket, flat or u-shaped, to either kind of controller, 1- or 3-channel.

1. Set the component side of the controller board against the recessed section of the bracket as shown in Figures 1 (for a flat bracket) and 2 (for a u-shaped bracket).
 2. Align the bracket screw holes with the controller board screw holes.
 3. Insert screws through the solder side of the controller board.
 4. Tighten screws to join the controller board to the bracket.
 5. See the *StorageWorks RAID Array 200 Controller Installation and Standalone Configuration Utility User's Guide* to install the controller into your system.
-

Figure 1 A Flat Bracket Attached to a Controller (1-Channel Controller Shown)

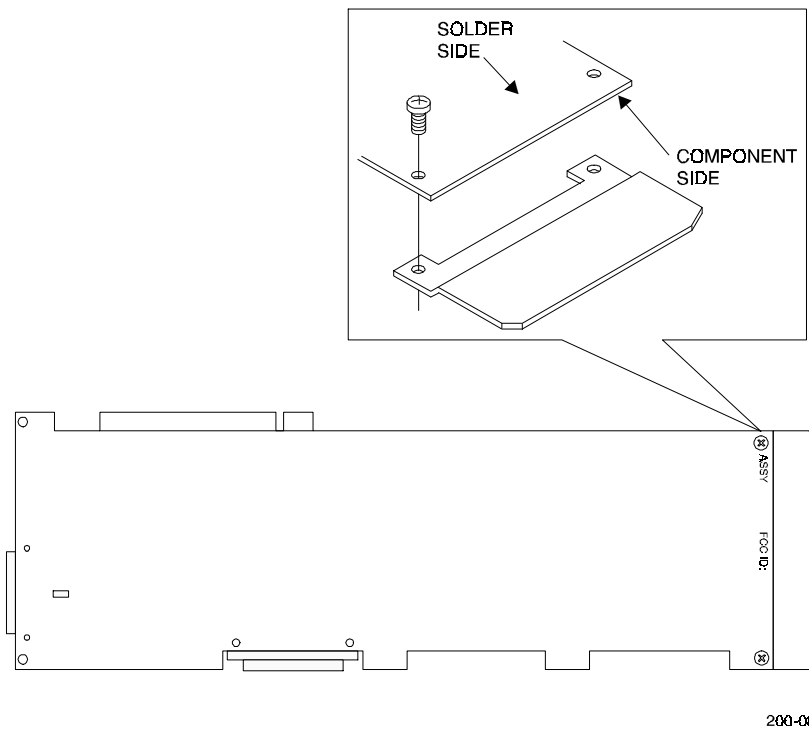


Figure 2 A U-Shaped Bracket Attached to a Controller (3-Channel Controller Shown)

