

SA7x Enclosure

User Guide

Order Number: EK-OSA7X-UG. C01

This guide explains how to operate the SA7x family of enclosures: the SA70, SA71, SA72, and SA73. This guide also includes installation procedures that can be performed only by trained Digital Multivendor Customer Services engineers.

**Digital Equipment Corporation
Maynard, Massachusetts**

October 1993

NOTE: This equipment generates, uses, and may emit radio frequency energy. The equipment has been type tested and found to comply with the limits for a Class A digital device pursuant to Part 15 of the FCC rules. These limits are designed to provide reasonable protection against harmful interference in a commercial installation. This equipment generates, uses, and can radiate radio frequency energy and, if not installed and used in accordance with the instruction manual, may cause harmful interference to radio communications.

Any changes or modifications made to this equipment may void the user's authority to operate the equipment.

Operation of this equipment in a residential area may cause interference in which case the user, at his own expense, will be required to take whatever measures may be required to correct the interference.

WARNING

This is a Class A product. In a domestic environment, this product may cause radio interference in which case the user may be required to take adequate measures.

While Digital believes the information included in this publication is correct as of the date of publication, it is subject to change without notice.

Digital Equipment Corporation makes no representations that the interconnection of its products in the manner described in this document will not infringe existing or future patent rights, nor do the descriptions contained in this document imply the granting of licenses to make, use, or sell equipment or software in accordance with the description.

©Digital Equipment Corporation 1991, 1992, 1993.

All Rights Reserved.

Printed in the United States of America.

DEC, DECsystem, DSA, DSDF, HSC, HSC50, HSC70, KDA, KDA50, KDB50, KDM, MicroVAX, PDP-11, RA, SA, SDI, UDA, UNIBUS, VAX, VAXsimPLUS, and the DIGITAL logo are trademarks of Digital Equipment Corporation.

Contents

Preface	vii
1 Introducing the SA7x Enclosure	
1.1 SA7x Enclosure Overview	1-1
1.2 RA7x and SA7x Configurations	1-6
1.3 SA7x Specifications	1-9
1.4 User Precautions	1-10
1.4.1 Data Recovery	1-10
1.4.2 Recommended Operating Temperature	1-11
1.4.3 Electrostatic Discharge Protection	1-11
2 Operating the SA7x	
2.1 SA7x Switches and Indicators	2-1
2.1.1 Using the Switches and Indicators	2-1
2.1.2 Using Drive Power Switches and Indicators	2-4
2.2 Using SA7x Rear Panel Switches and Indicator	2-5
2.3 Applying Power to the SA7x Enclosure	2-6
2.4 Placing RA7x Drives On Line and Off Line	2-7
2.4.1 Placing a Drive On Line	2-7
2.4.2 Taking a Drive Off Line	2-8
3 Replacing RA7x Disk Drives	
3.1 Installing and Removing an RA7x Disk Drive	3-2
3.1.1 Recording RA7x Disk Drive Serial Numbers	3-3
3.1.2 Reversing the RA70 Shoe Plate	3-4
3.1.3 Installing an RA7x Disk Drive	3-6
3.1.4 Removing an RA7x Disk Drive	3-6
3.2 Installing and Removing a Drive Position Filler	3-8
4 Installing the SA7x	
4.1 SA7x Installation Overview	4-1
4.1.1 Power and Safety	4-1
4.1.2 Recording Disk Drive Serial Numbers	4-1
4.2 Selecting Line Input Voltage	4-2
4.3 Performing a Post-Installation Checkout and Power-Up	4-2
4.4 Setting Drive Unit Numbers	4-5
4.5 Installing an Add-On SA7x Enclosure in an SA900 Storage Array	4-6
4.5.1 General Installation Considerations	4-6
4.6 Preparing the SA900 Cabinet	4-9
4.7 Guide Rail Plate Installation	4-11

4.8	Left Position Guide Rail Plate Installation	4-11
4.9	Right Position Guide Rail Plate Installation	4-13
4.10	Preparing the SA7X Enclosure	4-14
4.11	Installing the SA7X Enclosure	4-15
4.11.1	Completing the Installation	4-19

5 Troubleshooting the SA7x

5.1	Identifying Problems	5-1
5.2	Troubleshooting a Dead Enclosure	5-1
5.2.1	If the Fault Indicator Is Lit	5-1
5.2.2	If the Fault Indicator Is Not Lit	5-2
5.3	Troubleshooting a Flashing Drive Power Indicator	5-3
5.4	Troubleshooting Excessive Drive Errors or a Fault Condition	5-5
5.5	Reading OCP Error Codes	5-5
5.6	Troubleshooting a Drive Not Visible to the Controller	5-6
5.7	Troubleshooting the OCP	5-6

A Environmental Stabilization

B RA7x Error Rates

B.1	RA7x Error Rates	B-1
-----	----------------------------	-----

C Revision Support

Index

Figures

1-1	SA7x Enclosure	1-2
1-2	RA70 Disk Drive	1-3
1-3	RA71 Through RA73 Disk Drives	1-4
1-4	Using the ESD Grounding Strap	1-12
2-1	SA7x Enclosure Front Panel	2-2
2-2	SA7x Enclosure Rear Panel	2-6
3-1	SA70 Enclosure	3-3
3-2	RA7x Disk Drive Serial Number Location	3-4
3-3	Reversing the RA7x Shoe Plate	3-5
3-4	Replacing RA70 Disk Drive	3-7
4-1	SA7x Enclosure Front Panel	4-4
4-2	Storage Device Add-On Sequence for the SA900 Storage Array (Front View)	4-7
4-3	SA7x Front Clamping Assembly	4-8
4-4	SA900 and SA7x Chassis Retaining Brackets	4-9
4-5	SA7x Enclosure Guide Rail Assembly Installation	4-10
4-6	SA900 Mounting Rail Holes	4-12
4-7	Installing the SA7x Enclosure in the SA900	4-16
4-8	SA900 SDI Cable Connections	4-18

4-9	SA900 Power Cords—SA7x Enclosures	4-20
5-1	SA7x Enclosure Front Panel	5-4

Tables

1	Related Courses	viii
2	Related Documentation	viii
1-1	Authorized Disk Drive Installations	1-1
1-2	RA7x Fixed Disk Configurations	1-6
1-3	SA7x Configurations	1-7
1-4	SA7x Enclosure Recommended Environmental Limits	1-9
1-5	SA7x Enclosure Specifications	1-9
2-1	SA7x Switch and Indicator Functions	2-3
2-2	OCP Controls and Indicators	2-4
2-3	Power Supply Controls and Indicators	2-5
3-1	Authorized Disk Drives Installations	3-1
4-1	RA7x Drive Unit Numbers	4-5
4-2	H9A00 External SDI Cables	4-17
5-1	SA7x Problems and Troubleshooting References	5-1
A-1	Thermal Stabilization Specifications	A-1
B-1	RA71-RA72 System Error Rate	B-1
C-1	VAX Diagnostics for RA71-RA73 Drives	C-1
C-2	Retired VAX Supervisor Programs	C-2
C-3	Operating Systems for RA71-RA73 Drives	C-2
C-4	SDI Controllers for RA71-RA73 Drives	C-2

Preface

The *SA7x Enclosure User Guide* explains how to operate the SA7x family of enclosures: the SA70, SA71, SA72, and SA73. The guide is intended for end users, but it includes installation procedures that should be performed only by trained Digital Multivendor Customer Services engineers.

The SA70, SA71, SA72, and SA73 enclosures are physically identical. They are differentiated only by the RA7x disk drives they contain:

- The SA70 accommodates one to four RA70 disk drives (280 MB each).
- The SA71 accommodates one to four RA71 disk drives (700 MB each).
- The SA72 accommodates one to four RA72 disk drives (1 GB each).
- The SA73 accommodates one to four RA73 disk drives (2 GB each).

Conventions

Special terminology used in the publication includes:

- *SA7x* refers to the SA70, SA71, SA72, and SA73 enclosures collectively.
- *RA7x* refers to the RA70, RA71, RA72, and RA73 disk drives collectively.
- *RA71-RA73* refers to the RA71, RA72, and RA73 disk drives collectively.

The following notations are used in this manual:

- **Note**
Identifies information that is of special interest
- **CAUTION**
Identifies information that pertains to the protection of the equipment or loss of data
- **WARNING**
Identifies information that pertains to your safety

Related Courses and Documentation

Table 1 lists the Digital courses related to the SA7x enclosure.

Table 1 Related Courses

Title	Order Number
<i>AC Power & Grounding</i>	EY-B730-PO
<i>Electrical Safety</i>	EY-B737E-PO
<i>Electrical Safety and Lockout/Tagout Procedures</i>	EY-E038E-SO
<i>RA70/BA27 Disk Drive Maintenance Course</i>	EY-5805E-IV
<i>DSA Architecture Level 1 Course</i>	EY-5593E-IV
<i>VAXsimPLUS Maintenance Course</i>	EY-7687E-PO
<i>DSA Troubleshooting Course</i>	EY-9422E-LO

Table 2 lists the documentation related to the SA7x enclosure.

Table 2 Related Documentation

Title	Order Number
<i>DSA Troubleshooting Flowchart</i>	EK-DSATF-TM
<i>Disk Drive Technical Description Manual</i>	EK-ORA70-TD
<i>BA72 Field Maintenance Print Set</i>	MP-01429
<i>RA7x Disk Drive Service Manual</i>	EK-ORA7X-SM
<i>RA7x/SA7x Pocket Reference Guide</i>	EK-RSA7X-PG
<i>RA70 Field Maintenance Print Set</i>	MP-01428
<i>RA71/RA72 Support Print Set</i>	EM-01434
<i>RA71/RA72 Field Maintenance Print Set</i>	MP-01434
<i>RA73 Field Maintenance Print Set</i>	MP-01439
<i>SAxxx Storage Array Configuration Guide</i>	EK-SAXXX-CG
<i>SA7x Enclosure Service Manual</i>	EK-OSA7X-SM
<i>SA7x Support Print Set</i>	EM-01435
<i>SA7x Field Maintenance Print Set</i>	MP-01435

Introducing the SA7x Enclosure

This chapter is an overview of the SA7x enclosure, lists SA7x configurations and specifications, and discusses user precautions.

1.1 SA7x Enclosure Overview

The term “SA7x” refers to the family of enclosures that includes:

- The SA70—Accommodates one to four RA70 disk drives (280 MB each)
- The SA71—Accommodates one to four RA71 disk drives (700 MB each)
- The SA72—Accommodates one to four RA72 disk drives (1 GB each)
- The SA73—Accommodates one to four RA73 disk drives (2 GB each)

For all of these designations, the enclosure itself is physically identical. What differentiates an SA70 enclosure from an SA71 enclosure is the type of drives installed in each (RA70s and RA71s). See Figure 1–1 for an illustration of an SA7x enclosure.

Table 1–1 lists the the types of disk drives that are authorized for installation in each SA7x enclosure.

Table 1–1 Authorized Disk Drive Installations

Enclosure	RA70	RA71	RA72	RA73
SA70	Yes	No	No	No
SA71	Yes	Yes	Yes	Yes ¹
SA72	Yes	Yes	Yes	Yes ¹
SA73	Yes	Yes	Yes	Yes

¹A maximum of three drives may be installed.

The SA7x enclosure provides mounting space, power, cooling, and control for up to four RA7x disk drives. Each disk drive is independently powered and operated by the enclosure.

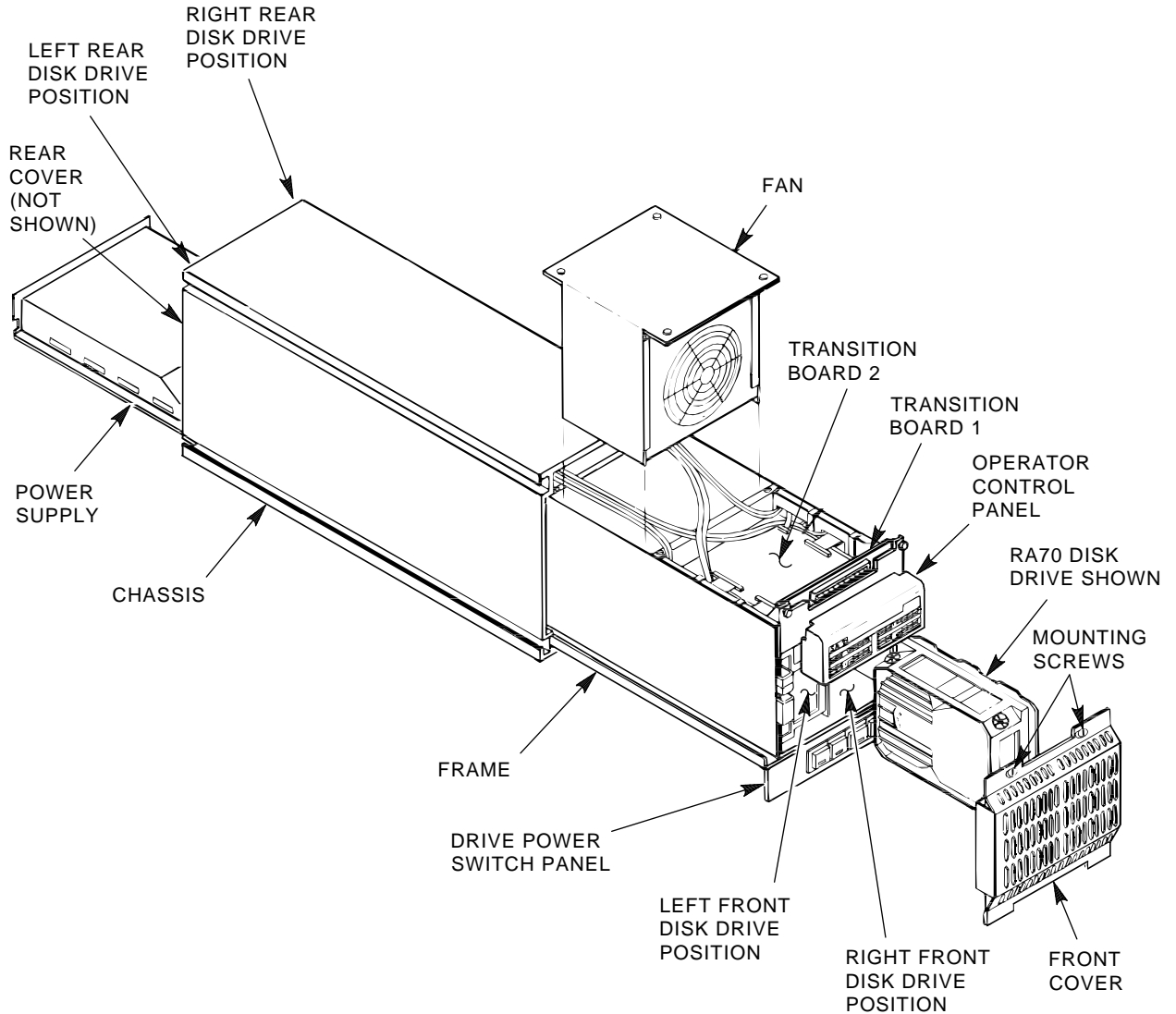
The enclosure is installed as a component in a storage array cabinet.

The RA7x disk drive used in the SA7x enclosure is a random-access Winchester technology drive with a formatted storage capacity of 280 MB to 2 GB. The drive features modular components that can be replaced with minimum down time. Figure 1–2 shows an RA70 disk drive. Figure 1–3 shows an RA71 through RA73 disk drive.

Introducing the SA7x Enclosure

1.1 SA7x Enclosure Overview

Figure 1-1 SA7x Enclosure



CXO-1845D_S

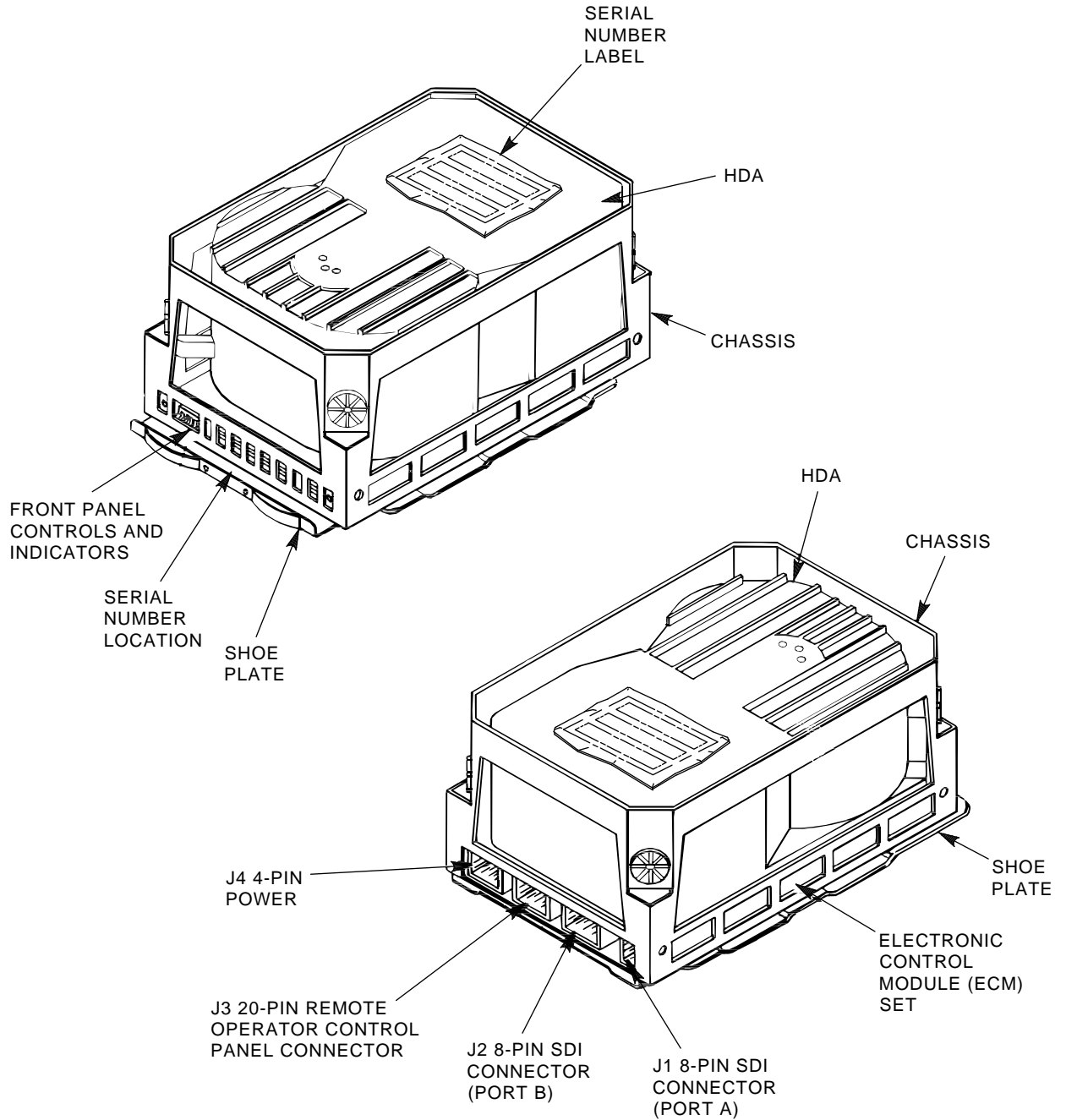
You can combine SA7x enclosures into *shadow sets*. When using shadow sets, remember that when replacing the power supply or transition boards 1 or 2, you need to remove the power from the enclosure.

RA7x disk drive can be used with any disk drive controller using a standard disk interface (SDI), including KDA50, KDB50, or KDM50 controller modules, hierarchical storage controllers (HSCs), and UDA controllers. The drive is compatible with the Digital Storage Architecture (DSA) and Mass Storage Control Protocol (MSCP).

Introducing the SA7x Enclosure

1.1 SA7x Enclosure Overview

Figure 1-2 RA70 Disk Drive

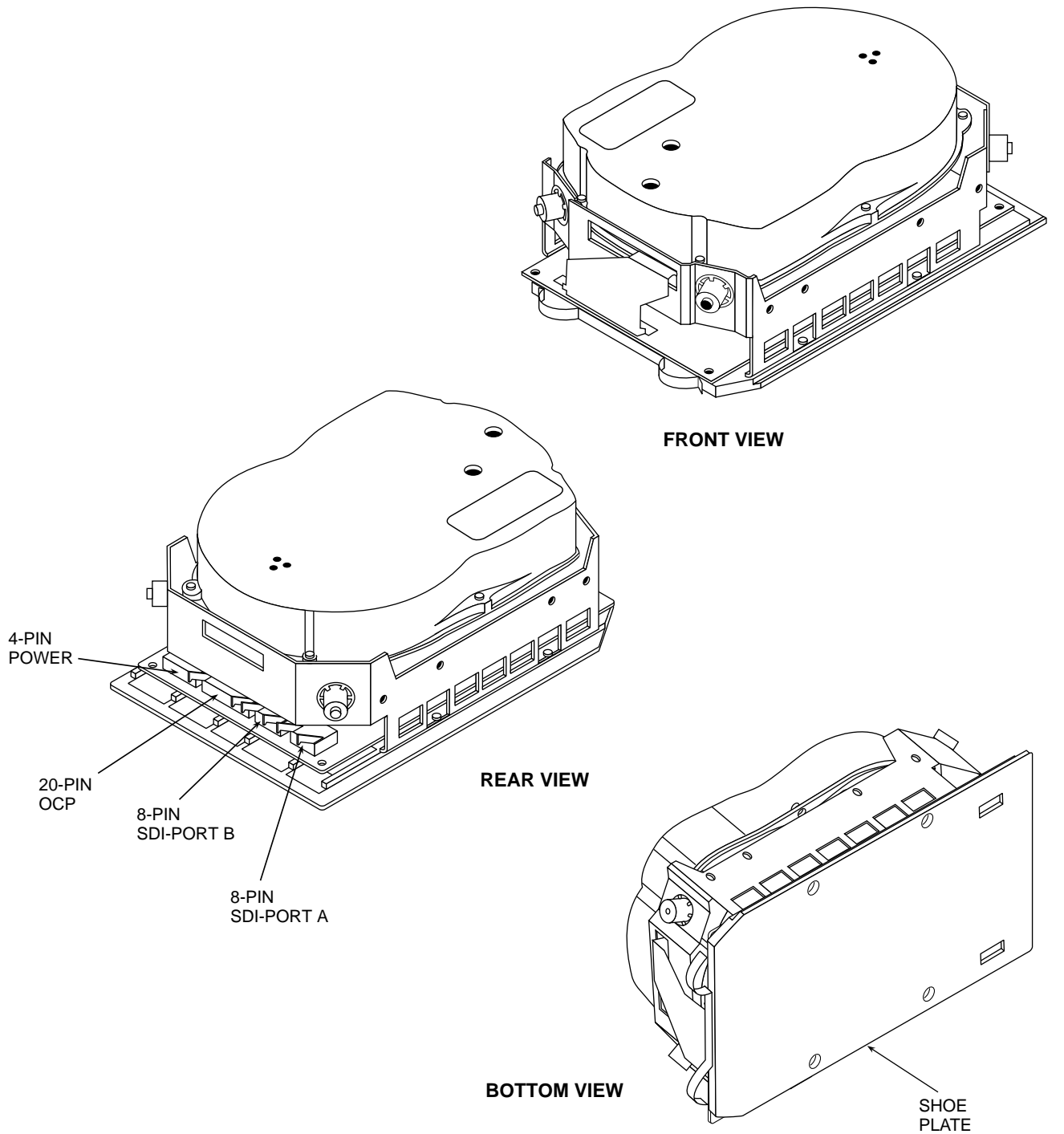


CXO-1878B_S

Introducing the SA7x Enclosure

1.1 SA7x Enclosure Overview

Figure 1-3 RA71 Through RA73 Disk Drives



Introducing the SA7x Enclosure

1.1 SA7x Enclosure Overview

The major subassemblies of the SA7x enclosure are:

- Chassis
- Frame
- Operator control panel (OCP)
- Transition board 1 (TB1)
- Transition board 2 (TB2)
- Power supply
- Fan assembly
- Enclosure-internal cables

Figure 1–1 shows the major subassemblies of the SA7x enclosure. Except for the RA70 disk drive description, Figure 1–1 is accurate for all SA7x enclosures.

The frame slides into the chassis and contains the mounting facilities for the other subassemblies. The disk drives fit into recesses located in the front and rear of the frame. The OCP is mounted above the front disk drives and plugs into TB1. TB1 interfaces the OCP to TB2. TB2 is located above the front disk drives and interfaces drive signals through TB1 to the OCP. The power supply is located in the rear of the frame, below the rear disk drives. The fan assembly is fitted into the central portion of the frame. Interconnecting cables for the subassemblies run along the outer sides of the frame behind acoustic paneling.

RA7x disk drives may be mounted in any of the four disk drive positions. Installation procedures suggest to install the first two drives in the rear positions and the second two drives in the front positions.

Caution

The SA7x enclosure will accommodate a single RA7x disk drive. However, if only one drive is installed in the enclosure, a drive position filler is required to route cooling air and prevent overheating. See Section 3.2 for instructions on installing and removing a drive position filler.

The disk drive is installed in an enclosure with the rear panel of the drive, which contains interface connectors, facing outward. The drives are operated from four sets of switches and indicators on the enclosure OCP, one set for each disk drive in the enclosure.

SDI bus cables from the disk drives are routed inside the enclosure to a cable bulkhead at the top rear of the enclosure.

The enclosure power supply provides operating power to the major subassemblies of the enclosure. The rear panel of the power supply contains the Master On/Off switch for the enclosure.

Each RA7x disk drive is powered and controlled independently. A drive can be operated with other disk drive positions unoccupied or while maintenance is being performed on another drive. The power switches for the disk drives are located on the front panel of the enclosure. Each drive power switch contains a symbol to indicate its associated drive and an indicator that lights when power is applied to the drive.

Introducing the SA7x Enclosure

1.1 SA7x Enclosure Overview

The fan assembly circulates cooling air throughout the frame of the SA7x enclosure. The air is drawn in through holes in the front panel on the enclosure and is exhausted through holes in the rear panel.

The SA7x enclosure meets the following environmental and safety standards:

- DEC Standard 102 for environment
- DEC Standard 103 for electromagnetic emissions
- DEC Standard 104 for computer room noise level
- DEC Standard 119 for product safety
- National and international regulatory agency requirements, including FCC, UL, IEC, CSA, and VDE

Your Digital sales representative can answer specific questions related to the various environmental and safety standards.

1.2 RA7x and SA7x Configurations

Tables 1–2 and 1–3 show authorized RA7x disk drive and SA7x enclosure configurations.

The description column of the RA7x configuration table contains the following information:

Authorized installation:

Factory installation—Only installed at the factory.

Field add-on—Only installed in the field.

Enclosure:

Enclosures in which the disk drive may be installed.

Table 1–2 RA7x Fixed Disk Configurations

RA7x Disk Drive	Description	Formatted Storage Capacity
RA70–A	Field add-on: SA70 options in storage arrays.	0.28 GB
RA70E–SA	Factory installation: MicroVAX 3500, 3600, and 3900	0.28 GB
RA70E–SF	Field add-on: MicroVAX 3500, 3600, and 3900	0.28 GB
RA71–AF	Factory installation: SA71 enclosure	0.70 GB
RA71–AK	Field add-on: SA71 enclosure	0.70 GB
RA72–AF	Factory installation: SA71 enclosure	1.0 GB
RA72–AK	Field add-on: SA72 enclosure	1.0 GB
RA73–AF	Factory installation: SA73 enclosure	2.0 GB
RA73–AK	Field add-on: SA73 enclosure	2.0 GB

The description column of the SA7x configuration table contains the following information:

Authorized installation:

Factory installation—Only installed at the factory.

Field add-on—Only installed in the field.

Introducing the SA7x Enclosure 1.2 RA7x and SA7x Configurations

Storage Array:

Systems and storage arrays in which the disk drive or enclosure may be installed.

Table 1–3 SA7x Configurations

Enclosure	Description	RA70 Disk Drive	RA71 Disk Drive	RA72 Disk Drive	RA73 Disk Drive	Formatted Storage Capacity
SA70–HK	Field add-on SA550/SA650/SA850 ¹ 120-240 Vac, 50-60 Hz	2	0	0	0	0.56 GB
SA70–JK	Field add-on SA550/SA650/SA850 ¹ 120-240 Vac, 50-60 Hz	4	0	0	0	1.12 GB
SA70–LK	Storage array building block DECsystem 5800/VAX 6000 ² 120-240 Vac, 50-60 Hz	2	0	0	0	0.56 GB
SA70–MK	Storage array building block DECsystem 5800/VAX 6000 ² 120-240 Vac, 50-60 Hz	4	0	0	0	1.12 GB
SA71–CK	Field add-on SA550/SA650/SA850 120-240 Vac, 50-60 Hz	0	1	0	0	0.70 GB
SA71–EK	Field add-on SA900 120-240 Vac, 50-60 Hz	0	1	0	0	0.70 GB
SA71–FK	Field add-on SA900 120-240 Vac, 50-60 Hz	0	4	0	0	2.8 GB
SA71–GK	Factory installation SA900 120-240 Vac, 50-60 Hz	0	1	0	0	0.70 GB
SA71–HK	Factory installation SA900 120-240 Vac, 50-60 Hz	0	4	0	0	2.8 GB
SA71–JK	Field add-on SA550/SA650/SA850 120-240 Vac, 50-60 Hz	0	4	0	0	2.8 GB
SA71–LK	Field add-on SA600/SA800 120-240 Vac, 50-60 Hz	0	1	0	0	0.70 GB
SA71–MK	Field add-on SA600/SA800 120-240 Vac, 50-60 Hz	0	4	0	0	2.8 GB
SA72–CK	Field add-on SA550/SA650/SA850 120-240 Vac, 50-60 Hz	0	0	1	0	1.0 GB

¹ To install in an SA600 or SA800 storage array *first* upgrade the storage array as described in Chapter 5.

² Adding the first SA7x to a VAX 6000 or DECsystem 5800 system without internal storage devices requires an upgrade kit:

60 Hz system—Upgrade Kit 62X34–UA
50 Hz system—Upgrade Kit 62X34–UB

Continued on next page

Introducing the SA7x Enclosure

1.2 RA7x and SA7x Configurations

Table 1–3 (Continued) SA7x Configurations

Enclosure	Description	RA70 Disk Drive	RA71 Disk Drive	RA72 Disk Drive	RA73 Disk Drive	Formatted Storage Capacity
SA72–EK	Field add-on SA900 120-240 Vac, 50-60 Hz	0	0	1	0	1.0 GB
SA72–FK	Field add-on SA900 120-240 Vac, 50-60 Hz	0	0	4	0	4.0 GB
SA72–GK	Factory installation SA900 120-240 Vac, 50-60 Hz	0	0	1	0	1.0 GB
SA72–HK	Factory installation SA900 120-240 Vac, 50-60 Hz	0	0	4	0	4.0 GB
SA72–JK	Field add-on SA550/SA650/SA850 120-240 Vac, 50-60 Hz	0	0	4	0	4.0 GB
SA72–LK	Field add-on SA600/SA800 120-240 Vac, 50-60 Hz	0	0	0	1	1.0 GB
SA72–MK	Field add-on SA600/SA800 120-240 Vac, 50-60 Hz	0	0	4	0	4.0 GB
SA73–CK	Field add-on SA550/SA650/SA850 120-240 Vac, 50-60 Hz	0	0	1	0	2.0 GB
SA73–EK	Field add-on SA900 120-240 Vac, 50-60 Hz	0	0	0	1	2.0 GB
SA73–FK	Field add-on SA900 120-240 Vac, 50-60 Hz	0	0	0	4	8.0 GB
SA73–GK	Factory installation SA900 120-240 Vac, 50-60 Hz	0	0	0	1	2.0 GB
SA73–HK	Factory installation SA900 120-240 Vac, 50-60 Hz	0	0	0	4	8.0 GB
SA73–JK	Field add-on SA550/SA650/SA850 120-240 Vac, 50-60 Hz	0	0	0	4	8.0 GB
SA73–LK	Field add-on SA600/SA800 120-240 Vac, 50-60 Hz	0	0	0	1	2.0 GB
SA73–MK	Field add-on SA600/SA800 120-240 Vac, 50-60 Hz	0	0	0	4	8.0 GB

1.3 SA7x Specifications

Recommended environmental limits for operating the SA7x enclosure are listed in Table 1–4. General specifications for the SA7x enclosure are shown in Table 1–5.

Caution

For the SA7x enclosure and installed RA7x disk drives to perform at the optimal level and maintain high reliability, they should be used in environments recommended in the following tables.

Table 1–4 SA7x Enclosure Recommended Environmental Limits

Characteristic	Min.	Max.	Units
Operating temperature	65	75	Degrees Fahrenheit
	18	24	Degrees Celsius
Operating temperature rate of change	–	5.4	Degrees per hour Fahrenheit
		3	Degrees per hour Celsius
Operating temperature step change	–	5.4	Degrees per hour Fahrenheit
		3	Degrees per hour Celsius
Operating relative humidity	40	60	Percent relative humidity (noncondensing)
Operating relative humidity rate of change	–	10	Percent relative humidity (noncondensing) per hour
Storage temperature	65	85	Degrees Fahrenheit
	18	29	Degrees Celsius
Storage humidity	–	50	Percent relative humidity (noncondensing)

Table 1–5 SA7x Enclosure Specifications

Characteristic	Specification
Number of disk drive positions	Four
Maximum formatted storage capacity:	
SA70 enclosure	1.12 GB
SA71 enclosure	2.8 GB
SA72 enclosure	4.0 GB
SA73 enclosure	8.0 GB
Dimensions (nominal)	26.7 cm (10.5 in) high 22.2 cm (8.75 in) wide 71.1 cm (28 in) deep
Weight (nominal):	
SA70 enclosure	21 kg (46 lb) empty 40 kg (88 lb) with four disk drives
SA71, SA72, or SA73 enclosures	21 kg (46 lb) empty 31.7 kg (72 lb) with four disk drives

Continued on next page

Introducing the SA7x Enclosure

1.3 SA7x Specifications

Table 1–5 (Continued) SA7x Enclosure Specifications

Characteristic	Specification
Operating temperature	+10° C to +40° C (+50° F to +104° F). Derate 1.8° C for each 1,000 m altitude or 1.0° F for each 1,000 ft altitude.
Operating humidity	10% to 85% @ maximum wet bulb temperature +32° C (+90° F) and minimum dew point of +2° C (+36° F)
Operating altitude	Up to 2,400 m (8,000 ft)
Nonoperating temperature	-40° C to +66° C (-40° F to +151° F)
Nonoperating relative humidity	8% to 80% relative humidity, noncondensing
Nonoperating altitude	4,900 m (16,000 ft)
Shock and vibration	Complies with DEC Standard 102
Enclosure acoustic noise (with four RA7x disk drives)	Complies with DEC Standard 102
Fan operating parameters:	
Low speed operation	Below +28° C (+82° F), +/- 1° C (1.8° F)
High speed operation	Above +30° C (+86° F), +/- 1° C (1.8° F)
Nominal airflow through the enclosure	Between 45 and 65 cubic ft per minute
Input power requirements (47 to 63 Hz)	4.6 A @ 100 to 120 Vac (60 Hz), 2.3 A @ 220 to 240 Vac (50 Hz)

1.4 User Precautions

Digital recommends that certain precautions be taken to protect equipment and user data. These precautions involve backup methods, recommended operating temperatures, and electrostatic discharge (ESD) protection, all of which are discussed in this section.

1.4.1 Data Recovery

Data is not recoverable from an inoperable head disk assembly (HDA). Therefore, it is your responsibility to make sure data is protected using proper backup procedures. Digital recommends the following backup methods for RA7x disk drives:

- **File duplication**—This method normally involves copying data onto removable media, such as magnetic tape.
- **Journaling**—This method is recommended for files in a transaction processing application. Journaling allows reconstruction of files up to the last checkpoint or backup.

1.4.2 Recommended Operating Temperature

The SA7x enclosure and its installed drives can operate within a temperature range of +10° to +40° C (+50° to +104° F). However, Digital recommends that the enclosure and its drives be operated in a temperature range of +18° to +24° C (+64° to +75° F) to increase reliability and product life.

Caution

Disk drives and enclosures must be environmentally stabilized in their protective barrier bags at the installation site. Failure to environmentally stabilize the equipment may result in damage to the drive media or electronic components. For more information about environmental stabilization, see Appendix A.

1.4.3 Electrostatic Discharge Protection

Electrostatic discharge (ESD) is caused by the buildup and release of static electricity. An electrical charge from a person or object can damage hardware components and result in premature device or option failure.

Observe the following guidelines when handling static-sensitive components:

1. Read all instructions and installation procedures included with static control materials.
2. Wear a properly grounded ESD wrist strap. (See Figure 1–4.)

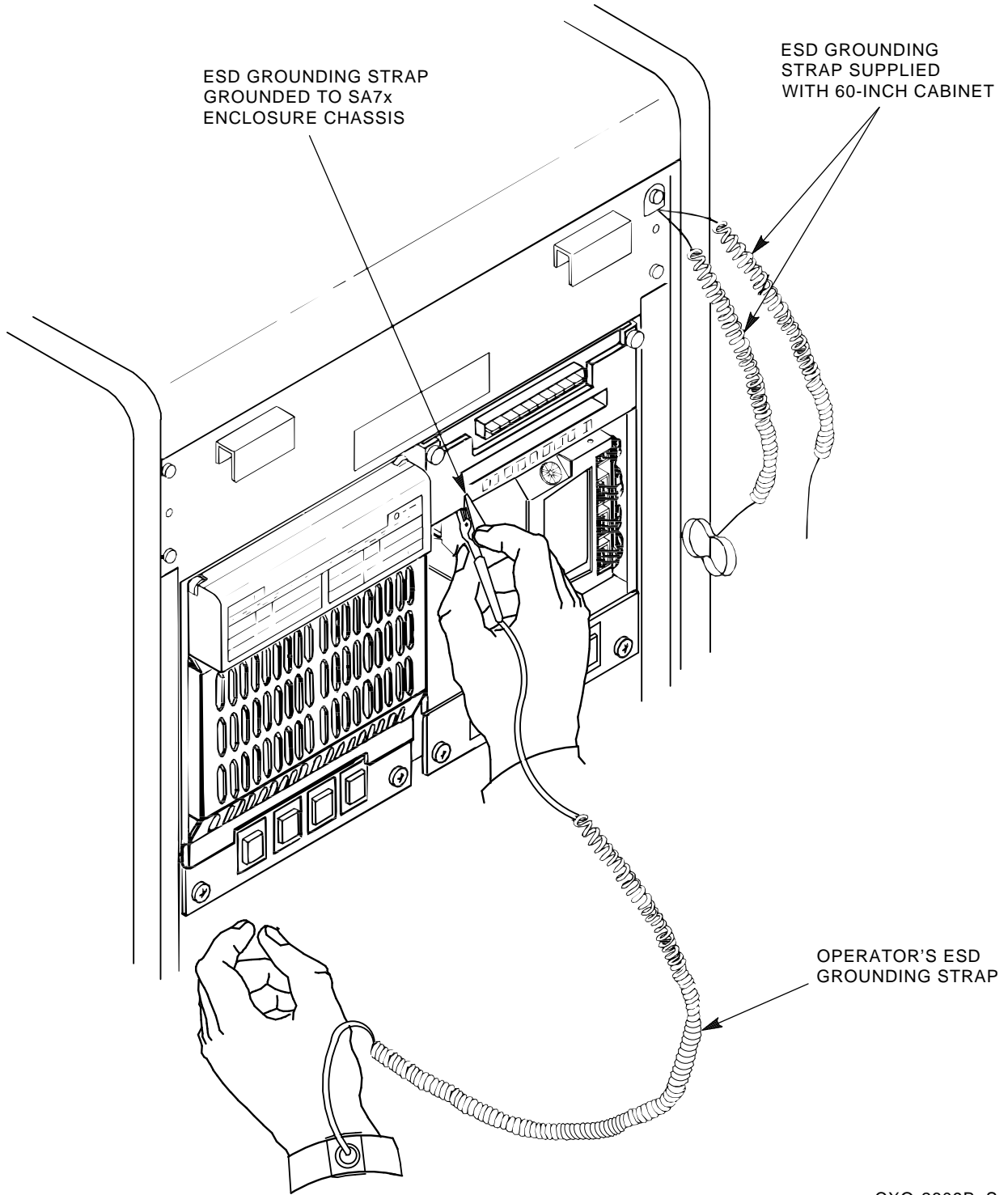
When using an ESD wrist strap:

- Ensure that the wrist strap fits snugly for proper conductivity.
 - Connect the alligator clip securely to a clean, unpainted, grounded metal surface, such as the drive or cabinet chassis.
 - Do not overextend the grounding cord.
3. Use static-protective containers to transfer modules and components.

Introducing the SA7x Enclosure

1.4 User Precautions

Figure 1-4 Using the ESD Grounding Strap



CXO-2609B_S

Operating the SA7x

This chapter describes the SA7x enclosure's front and rear panel switches and indicators and explains how to use them. It also explains how to apply power to the enclosure and how to place drives on line and off line.

Note

You must be a qualified Digital Multivendor Customer Services engineer to perform procedures that involve the drive power switches or internal storage array cabinet switches and indicators.

2.1 SA7x Switches and Indicators

The SA7x switches and indicators are located on both the front and rear panels. The front panel contains the operator control panel (OCP) and the drive dc power switches. The rear panel contains the power supply related switches and indicators. Figure 2-1 shows the SA7x enclosure front panel. The OCP is located along the top enclosure and contains the Unit Select switch and four identical sets of switches and indicators. Each set of switches and indicators is dedicated to one of the four disk drive positions in the enclosure. Drive power switches and indicators for the four disk drive positions are located at the bottom.

Note

The switch and indicator set for each disk drive position is operational ONLY when the disk drive is powered up.

2.1.1 Using the Switches and Indicators

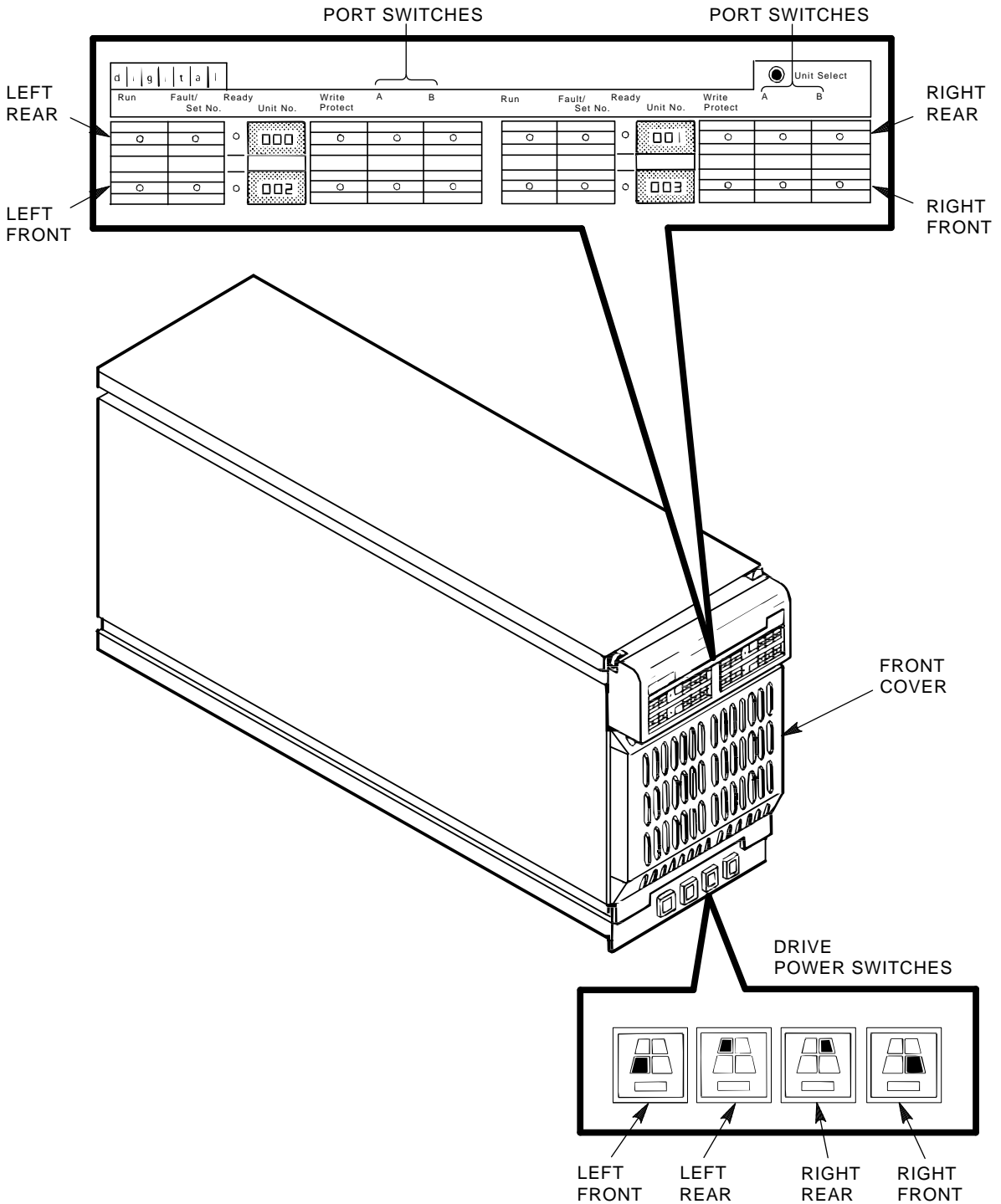
Table 2-1 is a summary of SA7x control and indicator functions. Table 2-2 is a detailed description of OCP control and indicator functions. The following general comments are also applicable:

- During power-on and spin-up of a drive, the OCP switches and indicators have slightly modified meanings, as described in Section 2.4.1.
- The control set for each disk drive position contains Ready and Unit Number indicators and switches for run operation, fault conditions, write protection, unit number selection, and A/B port selection.

Operating the SA7x

2.1 SA7x Switches and Indicators

Figure 2-1 SA7x Enclosure Front Panel



CXO-1867D_S

- All switches, except the Fault/Set No. switch, are set by pressing them in. These switches hold the set position until you release them by pressing them again. An indicator lights in each switch to show the status of the drive function.

Operating the SA7x

2.1 SA7x Switches and Indicators

- The Fault/Set No. switch is a momentary pushbutton. When you press the switch and hold it, it is set; when you release the switch, it is reset.

Table 2–1 SA7x Switch and Indicator Functions

Operator Control Panel Controls and Indicators		
Switch/(Indicator Color)	Switch Function	Indicator Function
Run (yellow)	Press to spin up the drive. Release to spin down the drive.	On when drive has spun up. Off when the drive spindle has stopped.
Fault/Set No. (red)	Changes the drive unit number <i>when</i> in the Unit Select Mode. Press and hold to test indicator functions. All OCP indicators should be on.	On when a fault detected.
Ready (green)	None.	On when drive ready to read/write.
Unit Number (red)	None.	Displays the drive unit number.
Write Protect (yellow)	Press to enable write protect.	On when write protect enabled.
Port A (yellow)	Press to enable Port A for controller selection.	On when Port A is on line to system drive controller.
Port B (yellow)	Press to enable Port B for controller selection.	On when Port A is on line to system drive controller.
Unit Select	Press to enable Unit Selected mode.	None.
Lower Front Panel		
Drive Power (green), one switch for each drive	Press to apply power and start drive self-test.	On when power applied to drive.
Rear Panel Power Supply Chassis		
Master On/Off	Apply line voltage to the power supply.	None.
Line voltage selector	Selects power supply operating voltage: either 120 Vac, 60 Hz or 240 Vac, 50 Hz.	None.
Fault (red)	None.	On when there is a fault or an overtemperature condition. This indicator is inside the power supply and is visible through the power supply grillwork.

Operating the SA7x

2.1 SA7x Switches and Indicators

Table 2–2 OCP Controls and Indicators

Control (Indicator)	Function
Run	Pressing the Run switch spins up the drive. The yellow Run indicator lights after the drive spindle reaches operating speed. Pressing the Run switch again releases the switch and spins down the drive. The yellow Run indicator goes out only after the drive spindle comes to a complete stop.
Fault/Set No.	<p>Pressing and holding the Fault/Set No. switch during normal operation causes all OCP indicators to light as a lamp test. If all indicators do not light, there may be a problem with the OCP. See Chapter 5 for information.</p> <p>When a fault condition is detected in a disk drive, the red Fault/Set No. indicator lights. Pressing the Fault/Set No. switch once after a drive fault places the drive off line and causes all indicators in the drive's control set, including the Fault/Set No. indicator, to blink an error condition code. The light pattern converts to a two-character error code. (See Chapter 5 for information.) Pressing the Fault/Set No. switch a second time commands the drive to attempt to clear the error and return on line.</p> <p>You also use the Fault/Set No. to set the drive unit number, as described in Section 4.4.</p>
Ready	The green Ready indicator lights to show that the drive is ready for read/write operations. This indicator is activated only after you press the Run switch and the yellow Run indicator lights. After spin-up, this indicator blinks during self-test. The Ready indicator remains on during normal operations, but may blink or go out during heavy disk accesses. The Ready indicator must light within 60 seconds after you press the Run switch; failure to do so indicates a problem in the drive.
Unit Number	The unit number for the disk drive is displayed next to the Ready indicator. The unit number can be set to any number from either 000 to 255, or 000 to 999, as described in Section 4.4. Placement of unit numbers in an actual installation is shown in Figure 2–1 (unit numbers 000 through 003 in this example).
Write Protect	Setting the Write Protect switch disables writing to the drive. This function keeps the drive data from being written over and lost. The yellow Write Protect indicator lights to show that a drive is write protected. The drive may also be write protected by a system controller command; this also causes the Write Protect indicator to light.
Port A Port B	Ports A and B are enabled with the Port A and Port B select switches. Yellow indicators in each switch light to show that the system controller has selected the port.

2.1.2 Using Drive Power Switches and Indicators

The lower part of the front panel contains a set of four drive power switches that you use to apply power to the disk drives. Each drive power switch is associated with a disk drive position, as shown in Figure 2–1. A green indicator in each drive power switch lights to show that power is being applied to the associated disk drive.

Setting a drive power switch connects power to the associated disk drive and causes the drive to run a self-test. During self-test, all OCP indicators are lit. After setting the drive power switch, you must press the Run switch on the OCP to spin up the drive.

2.2 Using SA7x Rear Panel Switches and Indicator

Two rear panel switches and an indicator are located on the power supply chassis, as shown in Figure 2-2. These switches and indicator affect how the entire SA7x enclosure operates. Table 2-3 is a summary of the rear panel switches and indicators.

WARNING

Hazardous voltages are present inside the storage array cabinet and enclosures. You must be a qualified Digital Services engineer to perform installation procedures. Otherwise, you may injure yourself or others and you may damage the equipment.

Table 2-3 Power Supply Controls and Indicators

Control/Indicator	Function
Master On/Off	The rocker-type Master On/Off switch for the SA7x enclosure is located in the center of the rear panel. Press the side of the switch labeled "1" (on) to apply power to the SA7x enclosure. Press the side of the switch labeled "0" (off) to remove power from the enclosure.
Line Voltage Selector switch	As you face the rear panel, the Line Voltage Selector switch is located to the right of the Master On/Off switch. It is visible through a hole in the rear panel. You must set this switch to the available line voltage during installation. The selected voltage is shown on the switch element.

CAUTION

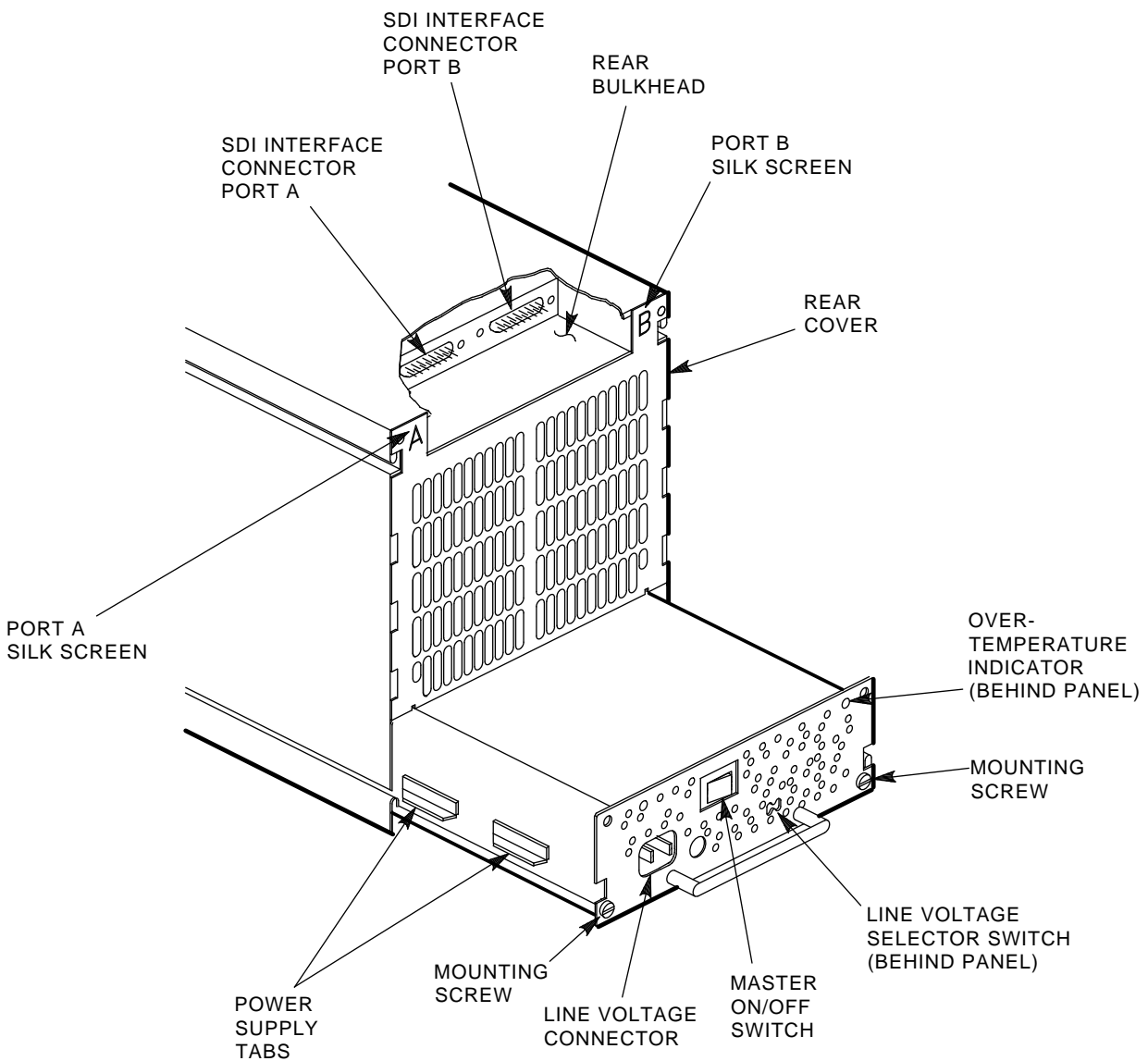
The SA7x enclosure power supply is universal for both 120 Vac (60 Hz) or 240 Vac (50 Hz). The power supply is set to 240 Vac (50 Hz) at the factory and must be reset to 120 Vac (60 Hz) for some installations. Selecting the wrong voltage will damage the power supply.

Fault indicator (red)	The red Fault indicator is visible through holes in the right side of the power supply back panel. When the power supply detects an overtemperature or overvoltage condition, it automatically shuts down power to the enclosure and the Fault indicator lights. If the Fault indicator lights, turn off the Master On/Off switch and refer to Chapter 5 to correct the condition.
------------------------------	------------------------------------------------------------------------------------------------------------------------------------------------------------------------------------------------------------------------------------------------------------------------------------------------------------------------------------------------------------------------------------

Operating the SA7x

2.3 Applying Power to the SA7x Enclosure

Figure 2-2 SA7x Enclosure Rear Panel



CXO-2658C

2.3 Applying Power to the SA7x Enclosure

CAUTION

Before applying power to the SA7x enclosure, ensure that the Line Selector Voltage switch on the enclosure, located behind the SA7x rear panel, is set to the proper line voltage. Otherwise, you will damage the power supply. (See Figure 2-2.)

To apply power to the SA7x enclosure, use the following procedure:

1. Verify that the Master On/Off switch on the power supply is set to off.
2. Verify that the drive power switches are set to off (switch button released).

3. Restore power to the enclosure by turning on the Master On/Off switch.
4. Verify the power is on by checking that the fan is operating. Do this by feeling for airflow out of the rear of the enclosure.

2.4 Placing RA7x Drives On Line and Off Line

This section explains how to place RA7x disk drives on line and off line.

2.4.1 Placing a Drive On Line

After applying power to the SA7x enclosure, use the following procedure to place a drive on line:

1. Press the drive power switch for the drive you want to bring online. (Refer to Figure 2–1.) If power to the drive is within specifications, the green drive power indicator lights. If the indicator does not light, see Chapter 5.

Note

Setting a drive power switch to on does not spin up the associated drive.

Applying power to the disk drive starts the drive's internal power-on diagnostics. These diagnostics are signaled at the OCP by the following sequence of indicator lights:

- a. All indicators light for about eight seconds.
 - b. If the drive completes the power-on diagnostics without detecting a fault, all indicators go out.
 - c. If the Fault/Set No. indicator remains lit, the drive has detected a fault. Press the Fault/Set No. switch to obtain a blinking OCP error code. The light pattern converts to a two-character error code. (See Chapter 5.)
Pressing the Fault/Set No. switch a second time commands the drive to attempt to clear the error and return online.
2. Press the Run switch on the OCP to spin up the drive. (Refer to Figure 2–1.) The following sequence of indicator lights occurs during spinup:
 - a. The Run indicator lights to show that you have commanded spinup. All other indicators remain off. (If you have powered up the drive with the Run switch set, you must either momentarily release, then reset, the Run switch, or enter a MOUNT command from your system to initiate spinup. The Run indicator lights to show that spinup was initiated through either of these actions.)
 - b. When the drive completes spinup, the Ready indicator lights to show that the drive is read/write ready.
 - c. The Ready indicator then flashes while the internal read/write and seek diagnostics run.
 - d. Upon completion of the read/write and seek diagnostics, the Ready indicator remains lit.
 - e. The Fault/Set No. indicator lights if the drive detects fault during spinup.

Operating the SA7x

2.4 Placing RA7x Drives On Line and Off Line

- f. If the Fault/Set No. indicator remains lit, the drive has detected a fault. Press the Fault/Set No. switch to obtain a blinking OCP error code. The light pattern converts to a two-character error code. (See Chapter 5.)
Pressing the Fault/Set No. switch a second time commands the drive to attempt to clear the error and return online.

3. Press the Port A, Port B, and Write Protect switches as required. These functions are turned off by pressing the switch a second time.

The Ready and Run indicators remain lit during normal operation, although the Ready indicator may flicker during heavy activity. The Write Protect indicator is lit if the drive is write protected and off if the drive is write enabled. The Port A and Port B indicators light only while their respective ports are selected by the system controller.

2.4.2 Taking a Drive Off Line

Taking a disk off line first requires you to dismount the drive as described in Steps 1 and 2 of the following procedure. To remove the drive from the enclosure you must complete Steps 3 through 5.

1. Dismount the disk drive using the proper system commands.
2. Press and release the Port A and Port B switches to turn off both ports of the disk drive. (Refer to Figure 2-1.) Wait for the port indicators to go out.
3. Press and release the appropriate Run switch on the OCP. Wait for the Run indicator to go out.
4. Set the drive power switch to off. The switch indicator goes out to show that power has been removed from the drive. If the indicator does not go out, there may be a faulty switch.
5. Remove power from the enclosure by turning off the Master On/Off switch. (See Figure 2-2.)

You are now ready to remove the disk drive from the enclosure. Refer to Chapter 3 for complete instructions.

Replacing RA7x Disk Drives

This chapter explains how to install and remove an RA7x disk drive in an SA7x enclosure.

Table 3–1 lists the the types of disk drives that are authorized for installation in each SA7x enclosure. *Unless otherwise specified*, a maximum of four disk drives of each type, or a combination of disk drives can be installed in an enclosure.

Table 3–1 Authorized Disk Drives Installations

Enclosure	RA70	RA71	RA72	RA73
SA70	Yes	No	No	No
SA71	Yes	Yes	Yes	Yes ¹
SA72	Yes	Yes	Yes	Yes ¹
SA73	Yes	Yes	Yes	Yes

¹A maximum of three drives may be installed.

Figure 3–1 shows the major subassemblies of the SA7x enclosure. Except for the RA70 disk drive designation, this illustration is accurate for all the SA7x enclosures.

CAUTION

Do not attempt to install a disk drive unless you have received training in electrostatic discharge (ESD) procedures and have taken proper precautions against ESD. Wear an ESD grounding strap properly connected to a known ground. Refer to Figure 1–4 for the proper use of an ESD grounding strap.

Note

If the SA7x enclosure is installed in a storage array cabinet when you are attempting to install or remove an RA7x disk drive, you must first remove or open either the cabinet's front or rear panel. See the appropriate storage array guide for instructions on removing and installing cabinet panels.

Replacing RA7x Disk Drives

3.1 Installing and Removing an RA7x Disk Drive

3.1 Installing and Removing an RA7x Disk Drive

The RA70 disk drive is physically different from RA71, RA72, and RA73 disk drives. The main physical difference between these drives (RA70 and RA71 through RA73), concerning installation, is the design of the shoe plate. The procedures for installing and removing the disk drives (RA70 and RA71 through RA73) are virtually the same.

CAUTIONs

- The SA7x enclosure is designed to have disk drives installed in a certain sequence for proper airflow, especially if the enclosure is not fully configured. Digital recommends installing the first drive in one of the two rear positions in the cabinet, the second drive in the other rear position, the third drive in one of the two front positions, and the fourth drive in the other front position.
- The SA7x enclosure accommodates a single RA7x disk drive. However, if only one drive is installed in the enclosure, a drive position filler is required to route cooling air and prevent overheating. If you are adding a second drive to an enclosure and the drive position filler is already installed, you must remove it. See Section 3.2 for instructions for installing and removing a drive position filler.
- Disk drives and enclosures must be environmentally stabilized in their protective barrier bags at the installation site. Failure to environmentally stabilize the equipment may result in damage to the drive media or electronic components. For more information about environmental stabilization, see Appendix A.

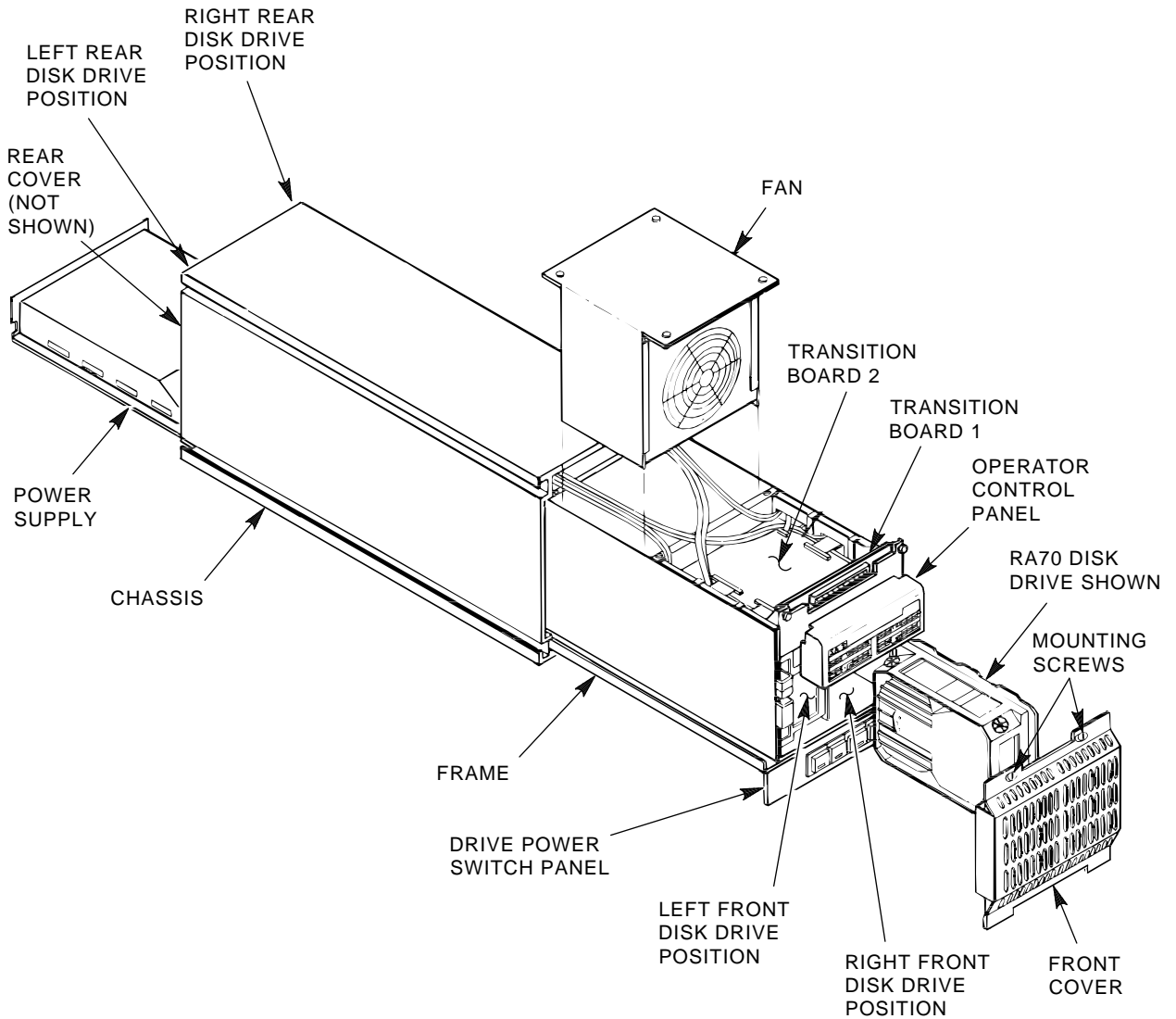
Notes

- When an RA7x disk drive is installed in an SA7x enclosure, it is not possible to set the drive unit number using the dip switches on the drive itself. Unit numbers for all RA7x disk drives are set from the SA7x operator control panel (OCP) as explained in Chapter 4.
 - Before installing an RA71/RA72 disk drive, verify that the capacity indicator switch on the drive is set correctly. See the *RA7x Disk Drive Service Manual* for more information.
-

Replacing RA7x Disk Drives

3.1 Installing and Removing an RA7x Disk Drive

Figure 3-1 SA70 Enclosure



CXO-1845D_S

3.1.1 Recording RA7x Disk Drive Serial Numbers

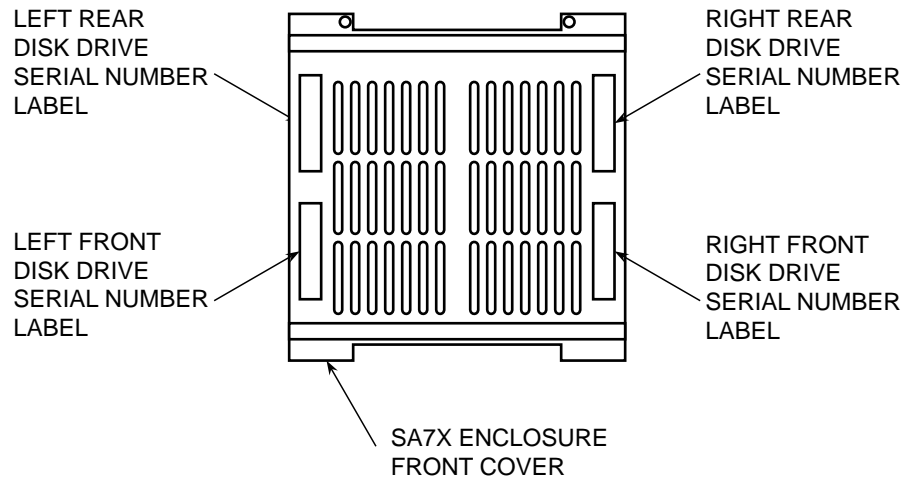
All add-on or replacement disk drives have a serial number tag affixed to the disk drive. The adhesive serial number label included with the drive is for mounting on the enclosure.

Affix the serial number label to the front cover of the SA7x enclosure. Place it so that it corresponds with the position of the disk drive in the enclosure, as shown in Figure 3-2.

Replacing RA7x Disk Drives

3.1 Installing and Removing an RA7x Disk Drive

Figure 3–2 RA7x Disk Drive Serial Number Location



COM-0104

Record the disk drive serial number in the site log and the labor activity reporting system (LARS) report. (You may also want to record the head disk assembly [HDA] serial number at this time. This number is located on the front of the HDA.)

Serial numbers are in the following format:

- Manufacturing location code (two characters)
- Date code (three digits)
- Component serial number (five digits)

For LARS, record only the manufacturing (MFG) location code and the component serial number in the following form:

- MFG location code (two characters)
- Component serial number (five digits)

3.1.2 Reversing the RA70 Shoe Plate

When the RA70 disk drive is to be installed in an SA7x enclosure, the shoe plate may need to be reversed on the drive so that it will mate with the shoe plate guide and shoe plate retaining clip in the SA7x enclosure. Figure 3–3 shows the proper shoe plate alignment.

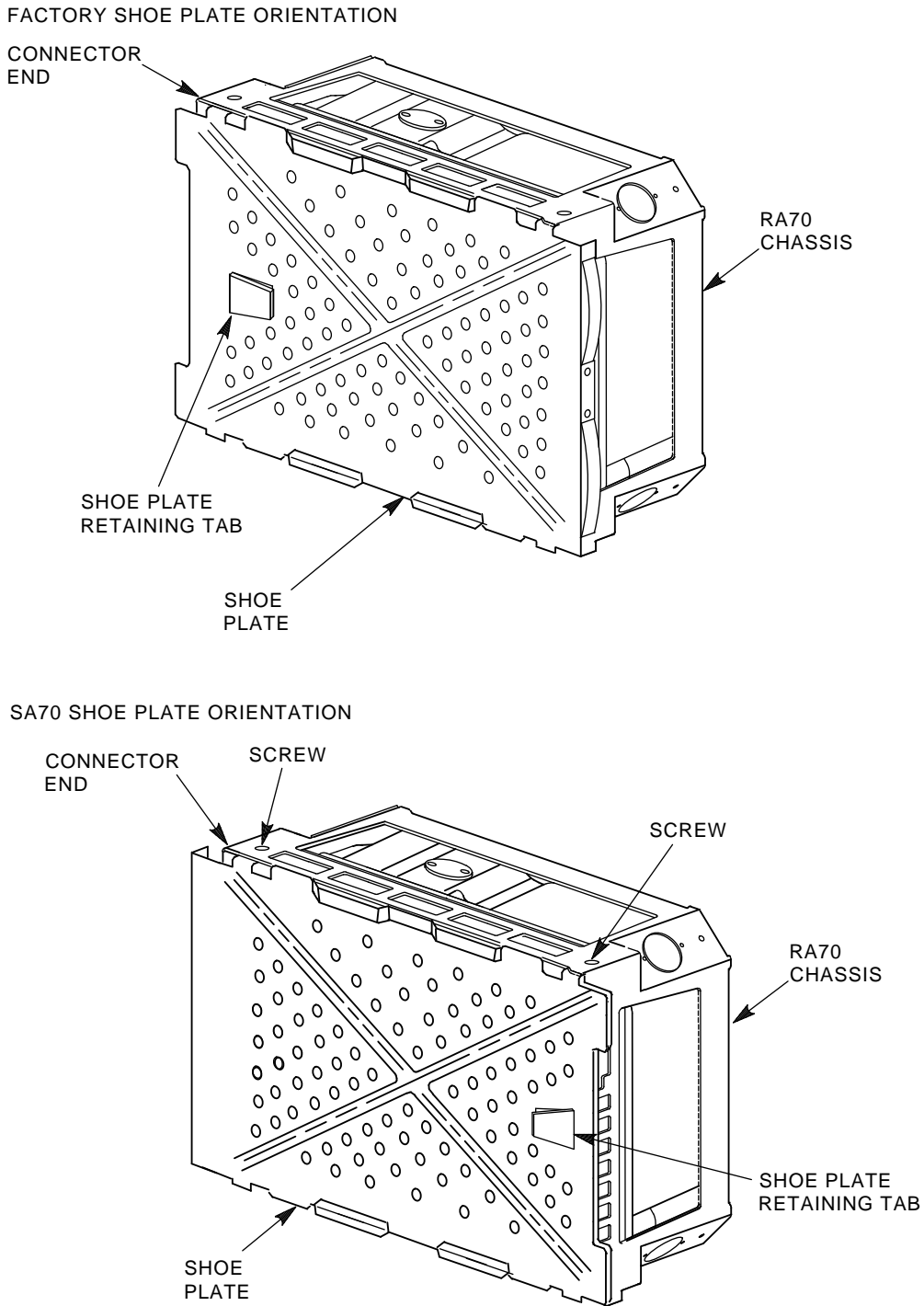
To reverse the shoe plate on the RA70 disk drive, see Figure 3–3 and use the following procedure:

1. Wear an ESD grounding strap with the clip connected to the enclosure chassis, not to the disk drive.
2. Place the disk drive on a grounded antistatic work surface with the shoe plate facing up.
3. Remove the screws in each of the four corners of the drive chassis that secure the shoe plate to the chassis.

Replacing RA7x Disk Drives

3.1 Installing and Removing an RA7x Disk Drive

Figure 3-3 Reversing the RA7x Shoe Plate



CXO-2610A

4. Grasp the shoe plate and pull upward to free it from the chassis. Hold the drive down with the hand wearing the ESD strap.
5. Turn the plate around to orient the shoe plate tab at the connector end of the drive. Replace the plate on the chassis.

Replacing RA7x Disk Drives

3.1 Installing and Removing an RA7x Disk Drive

6. Reinstall the four shoe plate mounting screws. Do not over tighten.

WARNING

An RA70 disk drive weighs 4.8 kgs (10.5 lbs). The RA71 through RA73 disk drives weigh 2.9 kgs (6.4 lbs). Be prepared to handle this weight when the drive comes free from the disk drive position. Otherwise, you may cause personal injury or damage the equipment.

CAUTION

Do not place the disk drive on anything other than a properly grounded antistatic work surface. Failure to observe this precaution may result in ESD damage to the drives.

3.1.3 Installing an RA7x Disk Drive

Use the following procedure to install the RA7x disk drive:

1. Make sure the drive power switch for the drive position you are using is turned off.
2. Depending on where the disk drive is located in the SA7x enclosure, remove either the front or rear enclosure cover. Loosen or remove the two mounting screws in the upper corners of the cover, then lift the cover up and outward to clear the enclosure. (See Figure 3-1.)
3. Use the ESD grounding strap furnished with the cabinet, or connect your ESD grounding strap to the enclosure chassis.
4. Orient the disk drive so that the shoe plate and shoe plate guide are side by side. Hold the connectors clear of the drive and slide the disk drive into the selected position in the enclosure as shown in Figure 3-4.
5. Verify the disk drive is locked into the enclosure with the shoe plate retaining clip.
6. Connect the 4-pin drive power cable, the 20-pin OCP cable, and the two SDI cables (in that order) to the rear panel of the disk drive.
7. Remove the ESD grounding strap and replace the covers on the enclosure.

You are now ready to place the drive on line. See Chapter 2 for instructions.

3.1.4 Removing an RA7x Disk Drive

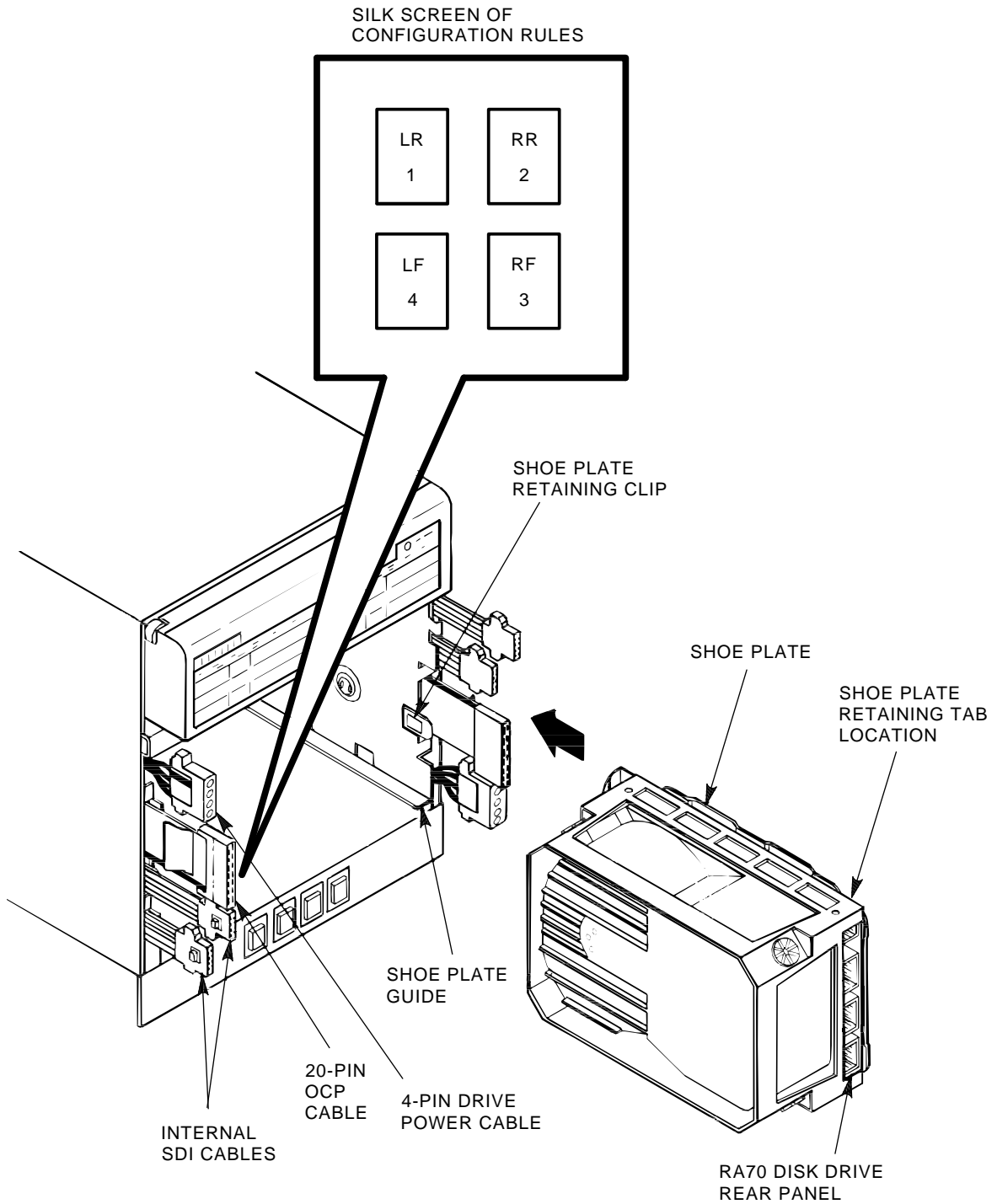
To remove an RA7x disk drive from an SA7x enclosure, use the following procedure:

1. Take off line the drive you are going to remove as explained in Chapter 2.
2. Make sure the drive power switch for the drive you are removing is turned off.
3. Remove the front or rear enclosure cover, depending on which drive you are going to remove.

Replacing RA7x Disk Drives

3.1 Installing and Removing an RA7x Disk Drive

Figure 3-4 Replacing RA70 Disk Drive



CXO-1870D_S

Replacing RA7x Disk Drives

3.1 Installing and Removing an RA7x Disk Drive

4. Loosen the two mounting screws in the upper corners of the cover, then lift the cover up and outward to clear the enclosure, as shown in Figure 3-1.
5. Use the ESD grounding strap furnished with the cabinet, or connect your ESD grounding strap to the enclosure chassis.
6. Disconnect the 4-pin drive power cable, the 20-pin OCP cable, and the two internal SDI cables from the drive, as shown in Figure 3-4.

CAUTION

Grasp the paper tab on the OCP cable to disconnect the cable from drive. Otherwise, you may damage the OCP connector strain relief.

7. The drive is held in place with a shoe plate retaining clip on the outside wall of the chassis disk position. The retaining clip locks with a tab on the drive shoe plate. (Refer to Figures 3-3 and 3-4.) Release this retaining clip and pull the drive out straight. After the drive is released, pull it slightly forward.
8. Grasp the drive firmly and remove it from the disk drive position. Be careful not to damage the cables as you slide the drive out of the enclosure frame.

3.2 Installing and Removing a Drive Position Filler

The SA7x enclosure accommodates a single RA7x disk drive. However, if only one drive is installed in the enclosure, a drive position filler is required to route cooling air and prevent overheating. If you are adding a second drive to an enclosure and the drive position filler is already installed, you must remove it.

The drive position filler is a Styrofoam block in the shape of a disk drive with a shoe plate attached. It is installed in the drive position next to the single installed drive (which should be installed in the rear of the enclosure).

To install the drive position filler in the SA7x enclosure, use the following procedure:

1. Make sure the drive power switch for the drive position you are using is turned off.
2. Remove the rear cover from the enclosure. Loosen the two mounting screws in the upper corners of the cover, then lift the cover up and outward to clear the enclosure. (Refer to Figure 3-1.)
3. Position the drive position filler so that the shoe plate and shoe plate guide are side by side. Hold the connectors clear of the filler and slide it into the selected position in the enclosure. (Refer to Figure 3-4.)
4. Verify that the drive position filler is locked into the enclosure with the shoe plate retaining clip.

To remove the drive position filler, use the following procedure:

1. Make sure the drive power switch for the drive position you are using is turned off.
2. Remove the rear cover from the enclosure. Loosen the two mounting screws in the upper corners of the cover, then lift the cover up and outward to clear the enclosure. (Refer to Figure 3-1.)

3.2 Installing and Removing a Drive Position Filler

3. The drive position filler is held in place with a shoe plate retaining clip on the outside wall of the chassis disk position. The retaining clip locks with a tab on the drive shoe plate. (Refer to Figures 3-3 and 3-4.) Release this retaining clip and pull straight out on the drive position filler. After the filler is released, pull it slightly forward.
4. Grasp the drive position filler firmly and remove it from the disk drive position.

Installing the SA7x

This chapter is an overview of SA7x installation. This chapter also explains how to select the correct line input voltage, set drive unit numbers on the operator control panel (OCP), and perform a post-installation checkout.

Instructions for installing RA7x disk drives, installing a drive position filler, and recording disk drive serial numbers are provided in Chapter 3.

4.1 SA7x Installation Overview

The SA7x enclosure can be installed in a variety of storage arrays. Complete instructions for installing the enclosure in each of these arrays are provided in the appropriate storage array guide.

4.1.1 Power and Safety

The SA7x enclosure does not present any unusual fire or safety hazards. Be sure to verify that the site has adequate power reserves to support the planned number of SA7x enclosures.

WARNING

Hazardous voltages are present inside the storage array cabinet and enclosures. You must be a qualified Digital Multivendor Customer Services engineer to perform installation procedures. Otherwise, you may injure yourself or others and you may damage the equipment.

A Digital Multivendor Customer Services engineer is qualified to install the SA7x enclosure upon successful completion of the courses listed in Table 1 in the Preface.

4.1.2 Recording Disk Drive Serial Numbers

When installing add-on or replacement enclosures, verify that the serial number on the disk drives are properly recorded on the enclosure. Also, record the serial numbers in the site log and the labor activity reporting system (LARS).

For complete instructions on recording disk drive serial numbers, see Chapter 3.

Installing the SA7x

4.2 Selecting Line Input Voltage

4.2 Selecting Line Input Voltage

The SA7x enclosure power supply can be set to operate from either 120 Vac (60 Hz) or 220 Vac (50 Hz). Use the following procedure to set the line voltage:

1. Verify that all front panel drive power switches and the Master On/Off power switch on the rear panel of the power supply are off.
2. Locate the Line Voltage Selector switch on the power supply. The switch is accessible through a cutout in the rear panel of the power supply just to the right of the line input connector.
3. Using a small screwdriver, set the Line Voltage Selector switch to the correct line voltage. The voltage selected, either 120 Vac or 240 Vac, is displayed on the switch.

caution

The SA7x enclosure power supply is universal for both 120 Vac (60 Hz) or 240 Vac (50 Hz). The power supply voltage frequency is factory set to 240 Vac and must be reset for 120 Vac operation. Using the wrong setting will damage the power supply.

4.3 Performing a Post-Installation Checkout and Power-Up

Use the following procedure to verify normal operation of the power supply, OCP, and fan assembly before operating the SA7x enclosure. It is best to perform this procedure after all disk drives are installed in all the enclosures in the storage array cabinet, *but not yet connected to power*.

CAUTION

Before performing this checkout and power-up procedure, be sure the enclosure frame is secured in the chassis and the front and rear enclosure covers are installed. Failure to do so will defeat the cooling airflow of the enclosure and may result in permanent damage to the disk drives or power supply.

1. Verify that all power and interface connections to the rear of the enclosure are correct and secure.
2. Verify that the Line Voltage Selector switch on the power supply of the SA7x enclosure has been set to the proper source voltage. If not, set the switch as described in Section 4.2.
3. Verify that the drive power switches are turned off.
4. Verify that the enclosure power cord is securely connected to the cabinet power controller.
5. Set the enclosure Master On/Off switch to on.
6. Verify the power is on by checking that the fan is operating. Do this by feeling for airflow out the rear of the enclosure. If the fan does not start, recheck the power connections. If power connections are connected properly, verify that the power supply is firmly seated in its connector. If the power still does not come on, see Chapter 5 for more information.

4.3 Performing a Post-Installation Checkout and Power-Up

7. Turn on the drive power switch for one of the disk drives. This switch is shown in Figure 4-1.
8. Verify power application to the disk drive position by noting that the indicator element in the drive power switch lights. If the indicator element does not light, verify that the power supply is firmly seated in its connector. If power still does not come on, see Chapter 5.

Note

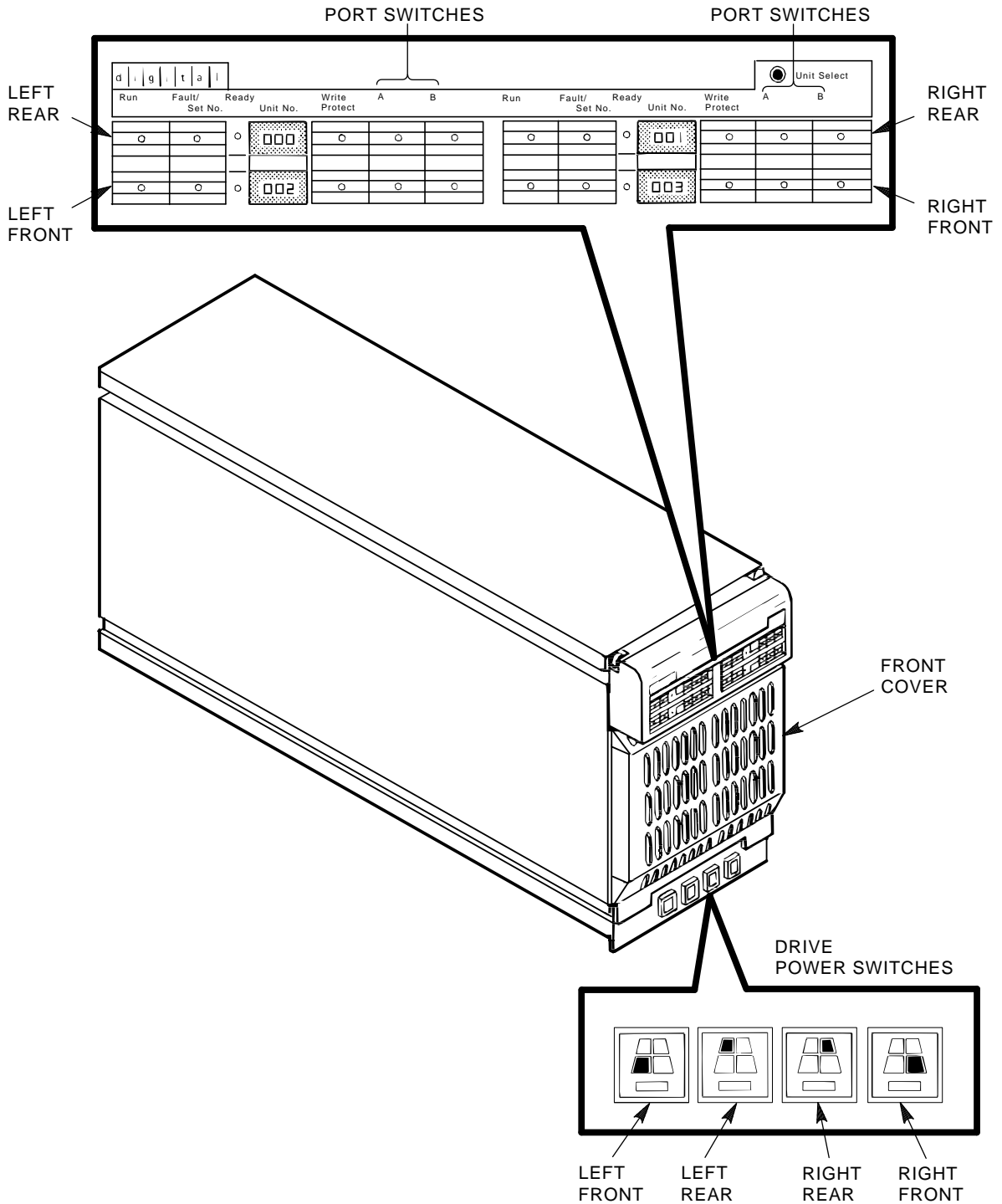
Turning a drive power switch on does not actually start the associated drive motor.

9. Press the Run switch on the OCP for the desired drive. This action starts the drive motor. When the Ready light comes on, the drive has completed its internal diagnostics and is ready for operation. If the Fault light comes on, see Chapter 5 for more information.
10. Set the drive unit number. (Refer to Section 4.4 for this procedure.)
11. Select Port A or Port B and Write Protect. The Write Protect indicator lights when the switch is set; the Port A and B indicators light only when the host system controller has selected that port for read/write operations. During the checkout and power-up procedure, verify that the associated OCP indicators light. If the indicators do not light, see the Chapter 5 for more information. You can turn off write protection by pressing the Write Protect switch a second time.
12. Complete the checkout of the disk drive by running the applicable diagnostics from the host system controller as described in the *RA7x Disk Drive Service Manual*.
13. Repeat steps 7 through 12 for each RA7x disk drive installed in the enclosure.

Installing the SA7x

4.3 Performing a Post-Installation Checkout and Power-Up

Figure 4-1 SA7x Enclosure Front Panel



CXO-1867D_S

4.4 Setting Drive Unit Numbers

When you install an RA7x disk drive in an enclosure, the drive unit number DIP switches are disabled. You then set the drive unit number at the enclosure OCP as described below.

The RA7x disk drives have two drive unit number ranges: 000 through 255, and 000 through 999, which are dependent on the following three factors:

- The drive model

Note

The RA70 disk drive can only use the drive unit numbers in the range 000 through 255.

- The RA7x microcode revision level
- The TB2 revision level

The device unit number range available for the RA71, RA72, and RA73 are determined as described in Table 4–1.

Table 4–1 RA7x Drive Unit Numbers

Microcode Version		TB2 Revision		Drive Unit Number Range	
Old	New	Old	New ¹	000-255 ²	000-999
X	–	X	–	Yes	No
X	–	–	X	Yes	No
–	X	X	–	Yes	No
–	X	–	X	Yes	Yes

¹“D-Etch, part revision F03” or later.

²The RA70 can only use this range.

Two factors ensure that you do not select an invalid address. First, the drive unit number of the drive being replaced is stored by TB2 . Second is that the RA7x drive automatically configures itself to match the TB2 version. When you insert a drive in the enclosure whose address range is 000 through 255 and the TB2 stored unit number is greater than 255, TB2 will signal the drive to go off line and cause the OCP display to flash until you reset the address to 255 or less. Use the following procedure to reset the address to 255:

1. Press the Unit Select switch in the upper-right corner of the OCP until it locks in the in position. The unit select numbers for all drives in the enclosure will flash indicating that the OCP is in unit select mode.
2. Press the Fault/Set No. switch for the first drive. Pressing the switch once increments the disk unit number by one. Pressing and holding the switch rapidly increments the disk unit number.
 - a. When the drive microcode is an older revision level you can *only* set the drive unit number to a number in the range of 000 through 255.
 - b. When the new microcode is installed you can set the drive unit number to any number from 000 through 999 *providing* that the correct version TB2 is installed.

Installing the SA7x

4.4 Setting Drive Unit Numbers

3. Repeat Steps 1 and 2 until all drive unit numbers have been set.
4. Restore the OCP to normal operation by pressing the Unit Select switch.
5. When you are changing the address to correct an error condition that caused the unit select numbers to flash, you must press the drive dc power switch to turn the drive off. After the drive has spun down, press the drive dc power switch to spin up the drive and place it on line.

4.5 Installing an Add-On SA7x Enclosure in an SA900 Storage Array

WARNING

To maintain cabinet stability, always install components in the order shown in Figure 4-2.

4.5.1 General Installation Considerations

Internal SDI cables and power cords are installed in SA900 storage arrays only when a storage device is installed. The internal SDI cables and power cords are shipped with each add-on and you must install them. The contents of the SA7x add-on kit are:

- SA7x enclosure
- Guide rail plate assembly
- Hardware mounting kit
- Internal SDI cables
- Power cord

4.5 Installing an Add-On SA7x Enclosure in an SA900 Storage Array

Figure 4–2 Storage Device Add-On Sequence for the SA900 Storage Array (Front View)

9	8
7	6
5	4
3	2
1	0

ADD-ON SEQUENCE
RA9x DISK DRIVES
ONLY

9	8
3	2
1	0
5	4
7	6

ADD-ON SEQUENCE
SA7x ENCLOSURES
ONLY

9	8
7	6
5	4
3	2
1	0

ADD-ON SEQUENCE
MIXED RA9x DISK DRIVES
AND SA7x ENCLOSURES

FIRST, LOAD ALL RA9x DISK
DRIVES SEQUENTIALLY.
THEN, LOAD SA7x ENCLOSURES
SEQUENTIALLY.

CXO-3568A-MC

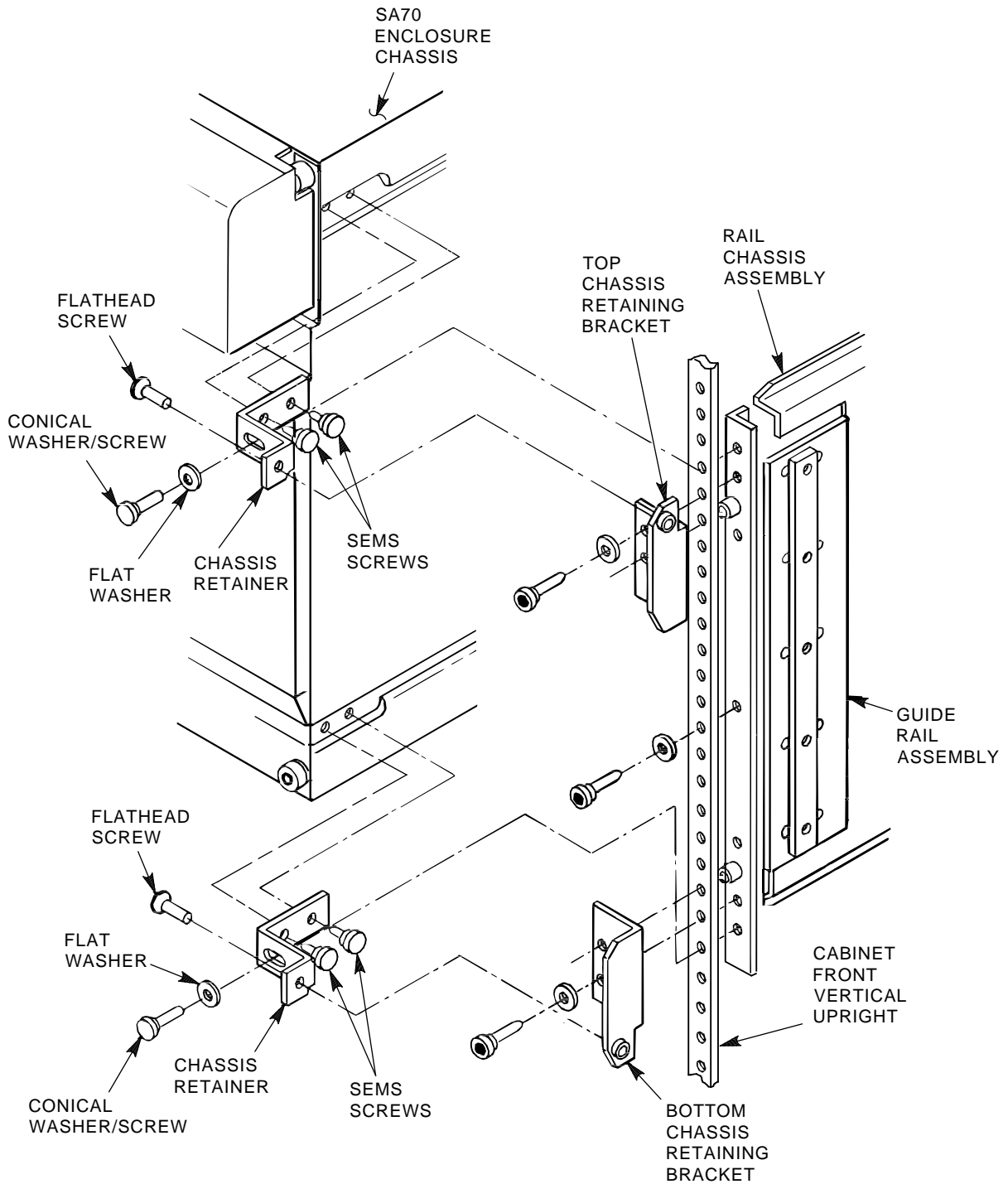
The hardware mounting kit includes two sets of chassis retaining brackets.

- The top and bottom chassis retaining brackets, shown in Figure 4–3, are for the H9646 cabinet. These brackets mate to the chassis retainer attached to the SA7x enclosure guide rail.

Installing the SA7x

4.5 Installing an Add-On SA7x Enclosure in an SA900 Storage Array

Figure 4-3 SA7x Front Clamping Assembly



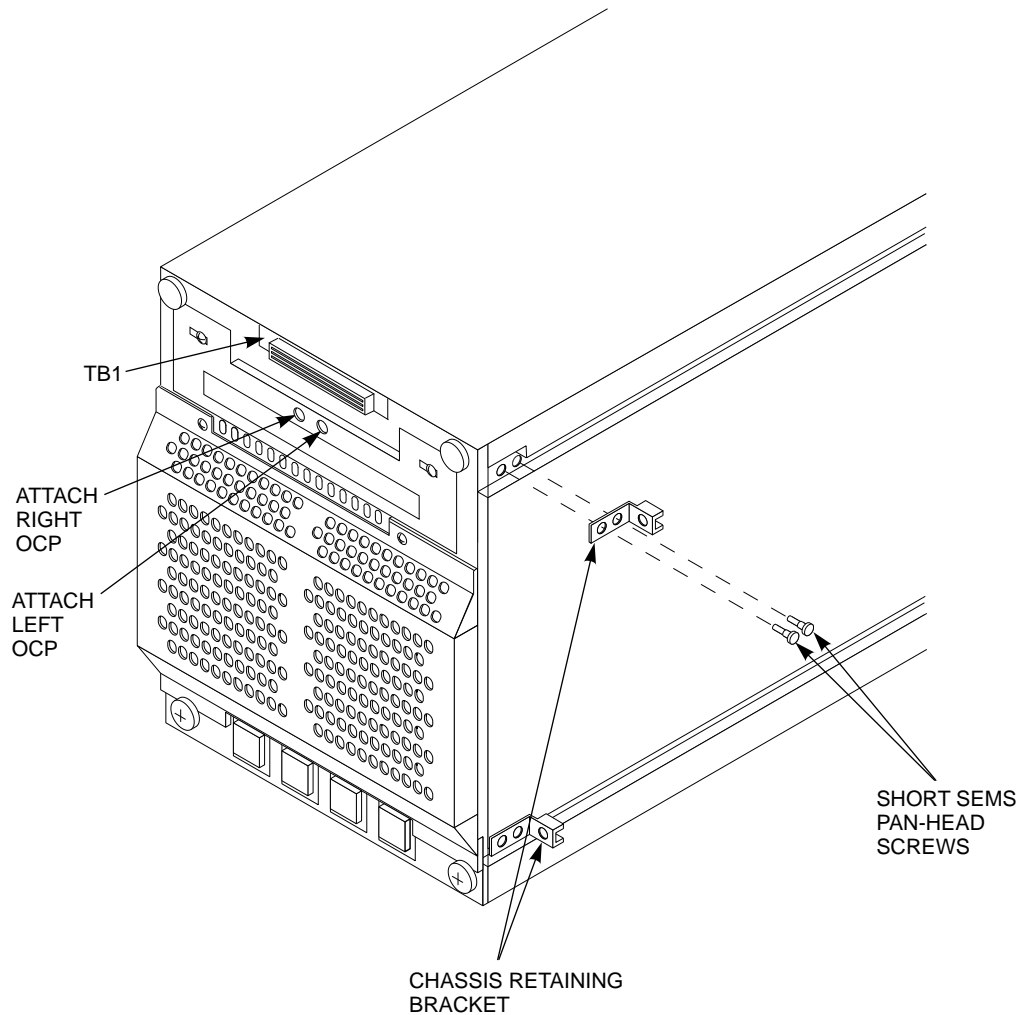
CXO-2442B_S

- The chassis retaining brackets, shown in Figure 4-4, are for the H9A00 cabinet. They attach to SA7x enclosure guide rail and the cabinet frame.

Installing the SA7x

4.5 Installing an Add-On SA7x Enclosure in an SA900 Storage Array

Figure 4-4 SA900 and SA7x Chassis Retaining Brackets



CXO-3939A-MC

4.6 Preparing the SA900 Cabinet

Each SA7x enclosure is mounted in the cabinet with one guide rail plate assembly as shown in Figure 4-5. The guide rail plate is attached to the cabinet's internal vertical uprights, and it supports the enclosure from one side. Grooves machined into the side of the enclosure mate with flanges along the sides of the chassis rail, allowing the enclosure to slide onto the guide rail plate from the front of the cabinet.

On one end of the guide rail plate is an adjustable mounting bracket. The mounting bracket has four screws that when loosened, allow the guide rail plate to be placed into the cabinet and then extended to make a secure fit.

Installing the SA7x

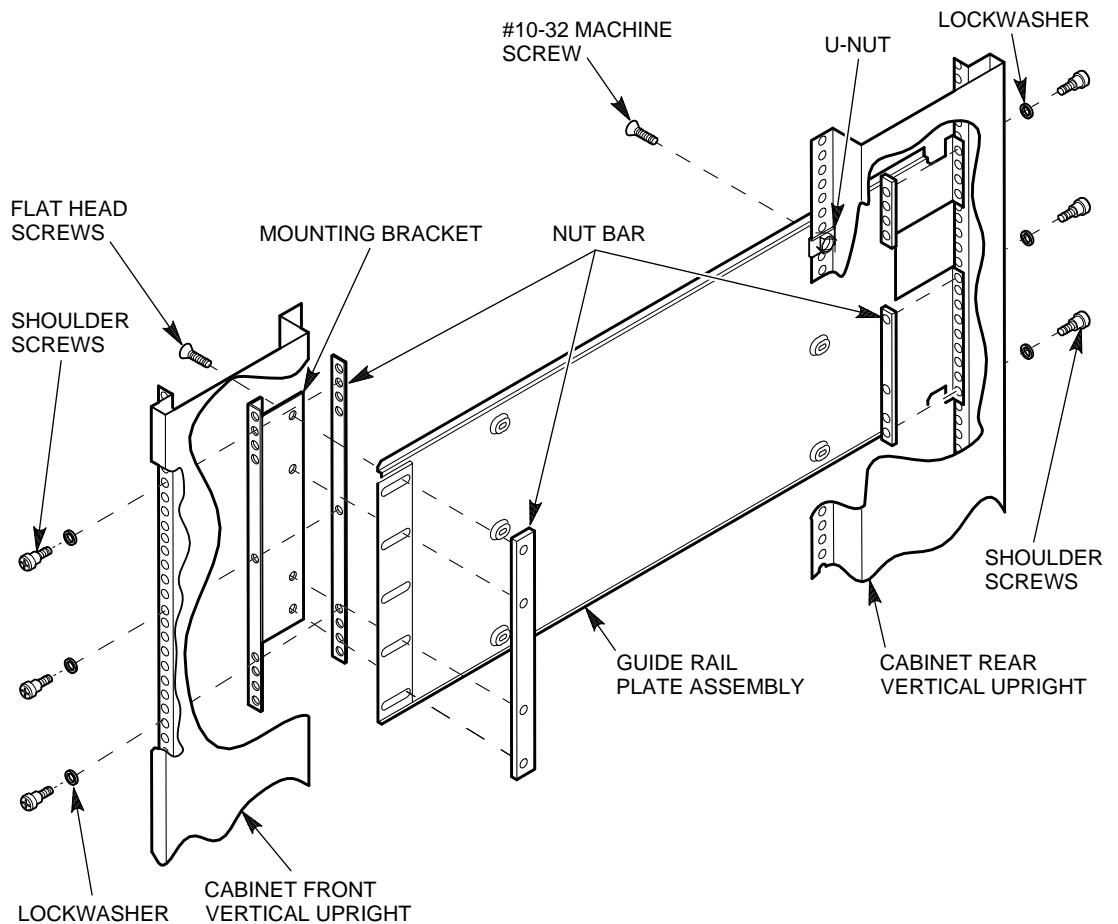
4.6 Preparing the SA900 Cabinet

WARNING

While working in the cabinet interior, ac power must be removed from cabinet components. Failure to do may result in personnel injury as a result of electric shock.

Prior to performing any of the SA900 procedures, remove ac power from cabinet components. If the cabinet is installed and operating, spin down all disk drives and halt tape drives in the cabinet. Switch the circuit breaker on the front of the cabinet power controller to the off position.

Figure 4-5 SA7x Enclosure Guide Rail Assembly Installation



MR-0305-92DG

4.7 Guide Rail Plate Installation

Two round standoffs on each end of the guide rail plate are used to locate the guide rail plate along the cabinet vertical uprights. The round standoffs are inserted into front and rear cabinet vertical upright mounting holes to position the guide rail plate while it is fastened to the cabinet. Guide rail plate installation procedures for both left and right enclosure mounting positions are presented in Section 4.8 and Section 4.9.

If an ESD bolt is mounted to the vertical upright in your selected installation position, remove the ESD bolt until your installation is complete, then fasten it to an open space on the cabinet vertical upright.

4.8 Left Position Guide Rail Plate Installation

Install the guide rail plate in the left position within the cabinet as follows (refer to Figure 4-5):

WARNING

Cabinet vertical upright edges may be sharp and can slice or abrade skin or cable insulation.

1. Turn the cabinet power off as described in Section 4.6
2. This procedure installs an enclosure in add-on sequence position 3. Refer to Figure 4-2 to select the optimum add-on sequence position for your installation.
3. Open the front cabinet door.
4. Remove the rear panel.
5. From the cabinet door, remove the bezel filler that corresponds to add-on sequence position 3.
 - a. Remove the four U-clips securing the bezel filler to the door.
 - b. Remove the bezel filler.

WARNING

Use care in supporting the guide rail plate. It is heavy and awkward to position within the cabinet. If possible, use two persons to support and position the guide rail plate. The guide rail plate may cause personnel injury if dropped during installation.

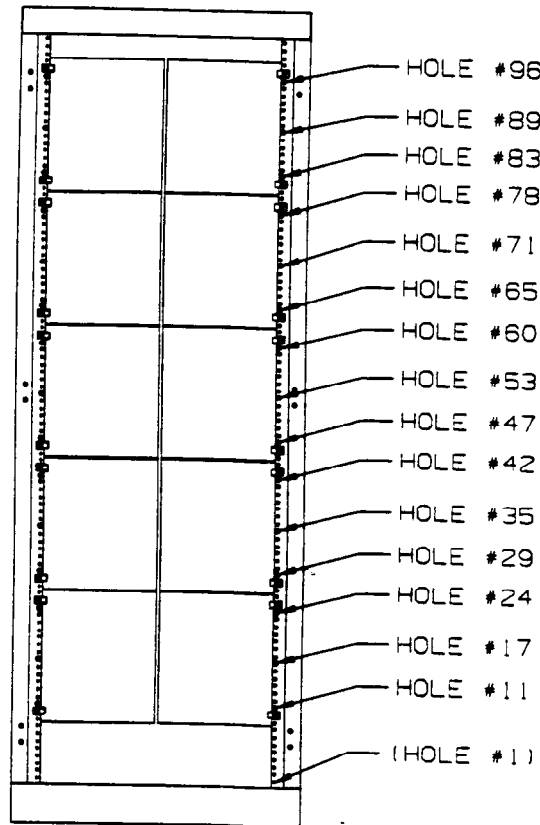
6. Install the guide rail plate in add-on sequence position 3. Add-on sequence position 3 corresponds to mounting hole numbers 65, 71, and 78 as shown in Figure 4-6.
 - a. From the rear of the cabinet, position the guide rail plate with the mounting bracket to the rear, making sure that the arrow on the mounting bracket is pointing up.
 - b. Insert the two front round stand-offs into the cabinet so that hole 71 becomes the center mounting hole in the guide rail plate.

Installing the SA7x

4.8 Left Position Guide Rail Plate Installation

- c. While supporting the guide rail plate against the cabinet front vertical upright, extend the mounting bracket to engage the two rear round stand-offs into hole numbers 64 and 79 on the cabinet rear vertical upright.

Figure 4-6 SA900 Mounting Rail Holes



DRIVE MOUNTING RAIL
HOLE LOCATIONS
(FRONT VIEW)

- d. Insert and tighten the three shoulder screws and lockwashers in mounting holes 65, 71, and 78.
- e. From the front, insert and tighten the three shoulder screws and lockwashers in mounting holes 65, 71, and 78.
- f. Insert and tighten a flathead screw through the top hole in the guide rail plate to the U-nut mounted on the cabinet front vertical upright.
- g. From the rear, insert and tighten two flathead screws through the top and bottom guide rail plate holes to the two U-nuts mounted on the cabinet rear vertical upright.

Installing the SA7x

4.8 Left Position Guide Rail Plate Installation

- h. Tighten the four mounting bracket screws.

4.9 Right Position Guide Rail Plate Installation

Install the guide rail plate in the right position within the cabinet as follows (refer to Figure 4-5):

WARNING

Cabinet vertical upright edges may be sharp and can slice or abrade skin or cable insulation.

1. Turn the cabinet power off as described in Section 4.6
2. This procedure installs an enclosure in add-on sequence position 2. Refer to Figure 4-2 to select the optimum add-on sequence position for your installation.
3. Open the front cabinet door and remove the rear panel.
4. From the cabinet door, remove the bezel filler that corresponds to add-on sequence position 2.
 - a. Remove the four U-clips securing the bezel filler to the door.
 - b. Remove the bezel filler.

WARNING

Use care in supporting the guide rail plate. It is heavy and awkward to position within the cabinet. If possible, use two persons to support and position the guide rail plate. The guide rail plate may cause personnel injury if dropped during installation.

Note

Removing the door latch applies only to installing guide rail plates in position 2.

5. Remove two mounting screws and kepnuts securing the door latch to cabinet and remove the door latch.
6. Install the guide rail plate in add-on sequence position 2. Add-on sequence position 2 corresponds to mounting hole numbers 65, 71, and 78 as shown in Figure 4-6.
 - a. From the front of the cabinet, position the guide rail plate with the mounting bracket to the front, making sure that the arrow on the mounting bracket is pointing up.
 - b. Insert the two rear round stand-offs into the cabinet so that hole 71 becomes the center mounting hole in the guide rail plate.

Installing the SA7x

4.9 Right Position Guide Rail Plate Installation

- c. While supporting the guide rail plate against the cabinet rear vertical upright, extend the mounting bracket to engage the two front round stand-offs into hole numbers 64 and 79 on the cabinet front vertical upright.

Note

If installing in other than position 2, insert shoulder screw in middle mounting hole.

- d. Insert and tighten two shoulder screws and lockwashers in mounting holes 65 and 78.
- e. Attach the door latch and secure with two mounting screws and kepnuts in mounting holes 71 and 78.
- f. From the rear, insert and tighten the three shoulder screws and lockwashers in mounting holes 65, 71, and 78.
- g. Insert and tighten two flathead screws through the top and bottom guide rail plate holes to the two U-nuts mounted on the cabinet rear vertical upright.
- h. From the front, insert and tighten a flathead screw through the top hole in the guide rail plate to the U-nut mounted on the cabinet front vertical upright.
- i. Tighten the four flathead mounting bracket screws as shown in Figure 4-5.

4.10 Preparing the SA7X Enclosure

Use the following procedure to prepare the SA7x enclosure for installation:

1. Remove the OCP (refer to Figure 4-1).
 - a. Pull the OCP straight out from the front of the SA7x enclosure.
 - b. Put the OCP in a safe place.
2. Position the guide rail inserts for a SA900 cabinet left side installation.

Note

If the installation is a SA900 cabinet right side installation proceed to step 3.

- a. Loosen the two rear cover captive screws (or two screws) and remove the rear cover.
- b. Remove the two upper right chassis retainer screws and remove the retainer bracket.
- c. Slide the upper right insert out the rear of the enclosure.
- d. Slide the insert into the upper left side of the enclosure.
- e. Install the retainer bracket and insert and tighten the two chassis retainer screws.

Installing the SA7x

4.10 Preparing the SA7X Enclosure

- f. Install the rear cover and insert and tighten the two rear cover captive screws (or two screws).
3. Position the guide rail inserts for a SA900 cabinet right side installation.
 - a. Loosen the two power supply captive screws and remove the power supply.
 - b. Remove the two lower left chassis retainer screws and remove the retainer bracket.
 - c. Slide the lower left insert out the rear of the enclosure.
 - d. Slide the insert into the lower right side of the enclosure.
 - e. Install the retainer bracket and insert and tighten the two chassis retainer screws.
 - f. Install the power supply and tighten the two captive screws.

4.11 Installing the SA7X Enclosure

Use the following procedure to install the SA7X enclosure into a SA900 cabinet:

WARNING

The fully-populated enclosure, with four disk drives and a power supply, weighs up to 40 kilograms (88 pounds) and can cause serious injury if lifted improperly. If a lifting device is not available, two people are required to lift and install the enclosure. One person can install the enclosure if the disk drives and power supply are removed to lighten the load. (Refer to the *SA7x Enclosure Service Manual* for instructions.)

1. Lift the SA7x enclosure to the installation position (see Figure 4-7).
 - a. Lift the enclosure to the front of the cabinet with the aid of a Digital-approved lifting device or with two people.
 - b. Turn the enclosure so its side grooves are facing toward the cabinet rails. (Refer to Figure 4-7.)
2. Seat the enclosure into the cabinet.
 - a. Slide the enclosure side grooves into the cabinet guide rails as shown in Figure 4-7, and push the enclosure all the way to the rear of the cabinet.
 - b. Remove the lifting device.
 - c. Using the two 10-32 x 1/2-inch screws that came with the enclosure, connect the two chassis retaining brackets (mounted on the side of the enclosure) to the cabinet. Tighten them securely. The recommended torque is 8 to 10 inch-pounds. (Refer to Figure 4-7).
3. Install the OCP for a SA900 cabinet left side installation.

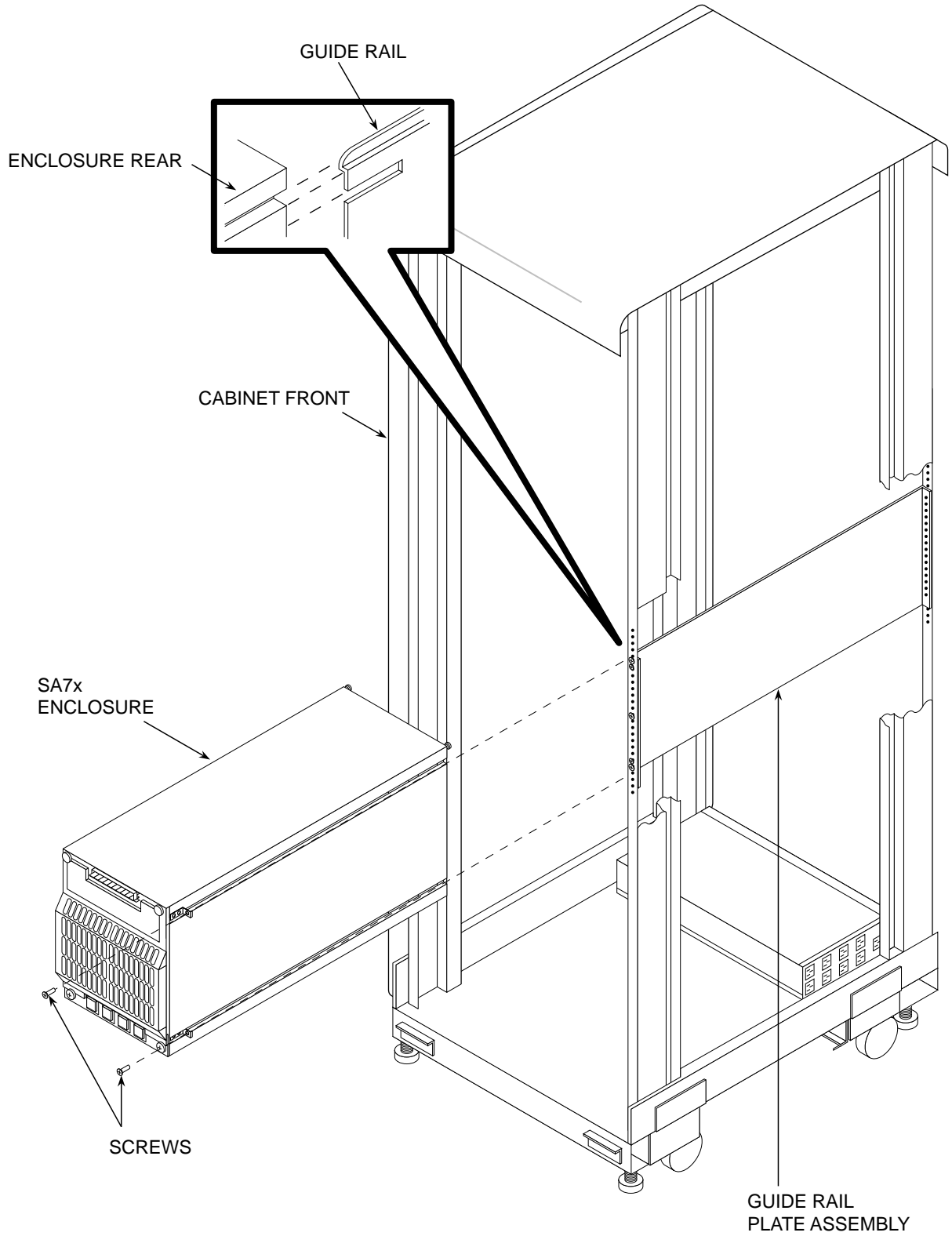
Note

If the installation is a SA900 cabinet right side installation proceed to step 4.

Installing the SA7x

4.11 Installing the SA7X Enclosure

Figure 4-7 Installing the SA7x Enclosure in the SA900



CXO-3574A-MC

Installing the SA7x

4.11 Installing the SA7X Enclosure

- a. Check that the three enclosure connector (TB1) mounting screws are tight.
 - b. Align the OCP with the TB1 and push until the OCP is secure.
4. Install the OCP for a SA900 cabinet right side installation.
- a. Loosen the two outer screws on TB1.
 - b. Remove the center screw under Attach Left Control Panel on TB1 and slide TB1 to the left.
 - c. Insert and tighten the center screw under Attach Right Control Panel on TB1.
 - d. Tighten the two outer screws on TB1.

CAUTION

Do not bend the alignment or connector pins when installing the OCP. The panel should fit without being forced.

- e. Align the OCP with the TB1 and push until the OCP is secure.

The SA900 storage array is shipped with internal cables and power cords for storage devices installed at the factory. However, when you install SA7x enclosures, you must install the internal SDI cables and connect the power cords. If external SDI cables are required, they are ordered separately and shipped at the same time the add-on is shipped. Table 4–2 lists the external SDI cables.

Table 4–2 H9A00 External SDI Cables

External SDI Cables	Standard Part Number	Fire Code Part Number
3.7 m (12 ft) cable	BC26V–12 or BC26G–12	BC26J–12
7.6 m (25 ft) cable	BC26V–25 or BC26G–25	BC26J–25
15.2 m (50 ft) cable	BC26V–50 or BC26G–50	BC26J–50
24.4 m (80 ft) cable	BC26V–80 or BC26G–80	BC26J–80

The H9A00 cabinet includes a left and a right vertical I/O bulkhead. (Refer to Figure 4–8.) Storage devices are connected by SDI cables to one of the five sets of eight connectors on each bulkhead. A total of ten devices can be connected to the I/O bulkheads. The RA9x disk drive uses two SDI cables; the SA7x enclosure uses two special one-to-four cables. Each cable terminates with four connectors. The SA900 storage array can accommodate a maximum of ten RA9x disk drives, or ten SA7x enclosures, or 80 ports.

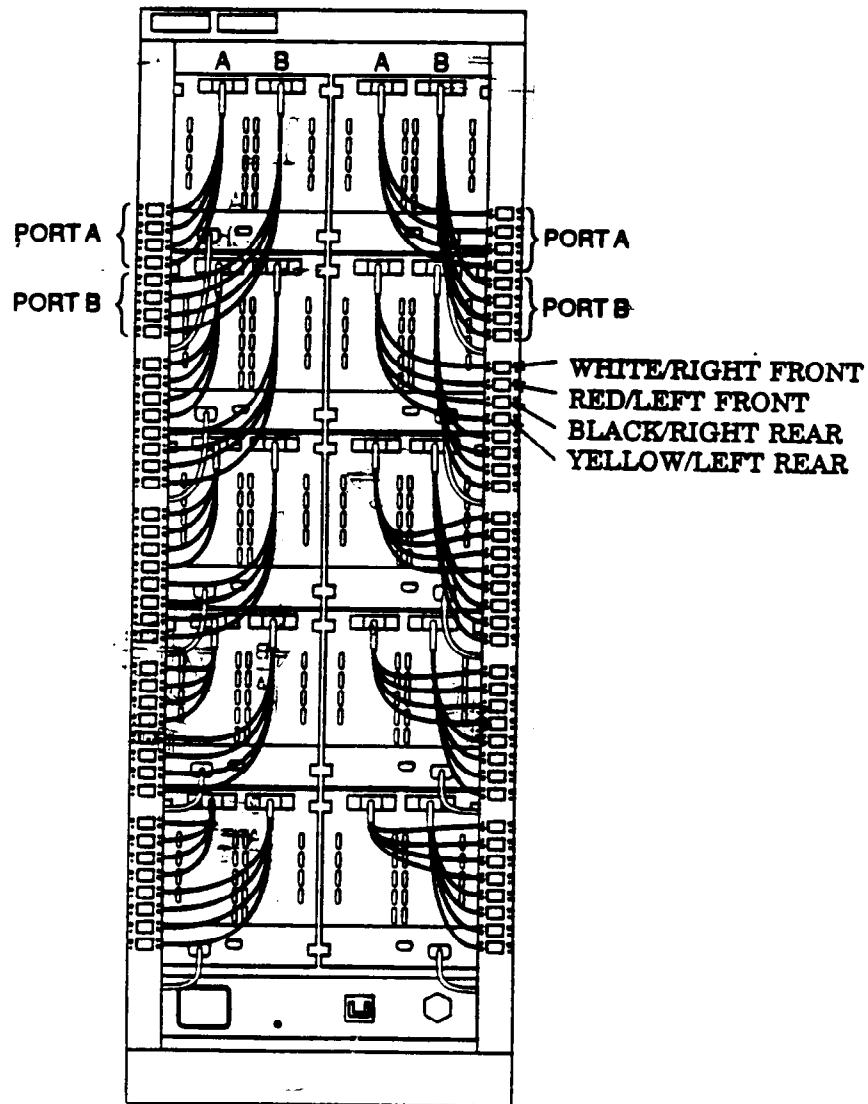
Use the following procedure to install and connect SDI cables and power cords:

1. Ensure that the Line Voltage Selector switch is in the proper position and the Master On/Off switch on the enclosure is off.

Installing the SA7x

4.11 Installing the SA7X Enclosure

Figure 4-8 SA900 SDI Cable Connections



2. Install cables from drives and enclosures on the left side of the cabinet to the left vertical I/O bulkhead; install cables from drives and enclosures on the right side of the cabinet to the right vertical I/O bulkhead, as shown in Figure 4-8.

Installing the SA7x

4.11 Installing the SA7X Enclosure

3. Connect SDI cable connectors to the Port A and Port B connections on the rear of the SA7x enclosure. Connect the other end of the cable connectors to the vertical I/O bulkhead. (The top four ports in each group of eight correspond to Port A, and the bottom four ports in each group of eight correspond to Port B.)
4. Connect the power cords to the rear of the SA7x enclosure, as shown in Figure 4-9.
5. Route the power cords from the storage devices on the right side of the cabinet down the right vertical I/O bulkhead.
6. Route the power cords from the storage devices on the left side of the cabinet down the left vertical I/O bulkhead.
7. Connect the power cord to the power controller connector shown in Figure 4-9.
8. Coil any excess power cord in front of the power controller.
9. Connect the external SDI cables in the SA900 storage array. Be sure to tighten the captive screws when connecting the external cables to the bulkhead.
10. Slide the external SDI cables through the appropriate slot on the filler panel. If necessary, remove the cable retainers on the filler panel to more easily access the slot. Then, replace the cable retainers.

4.11.1 Completing the Installation

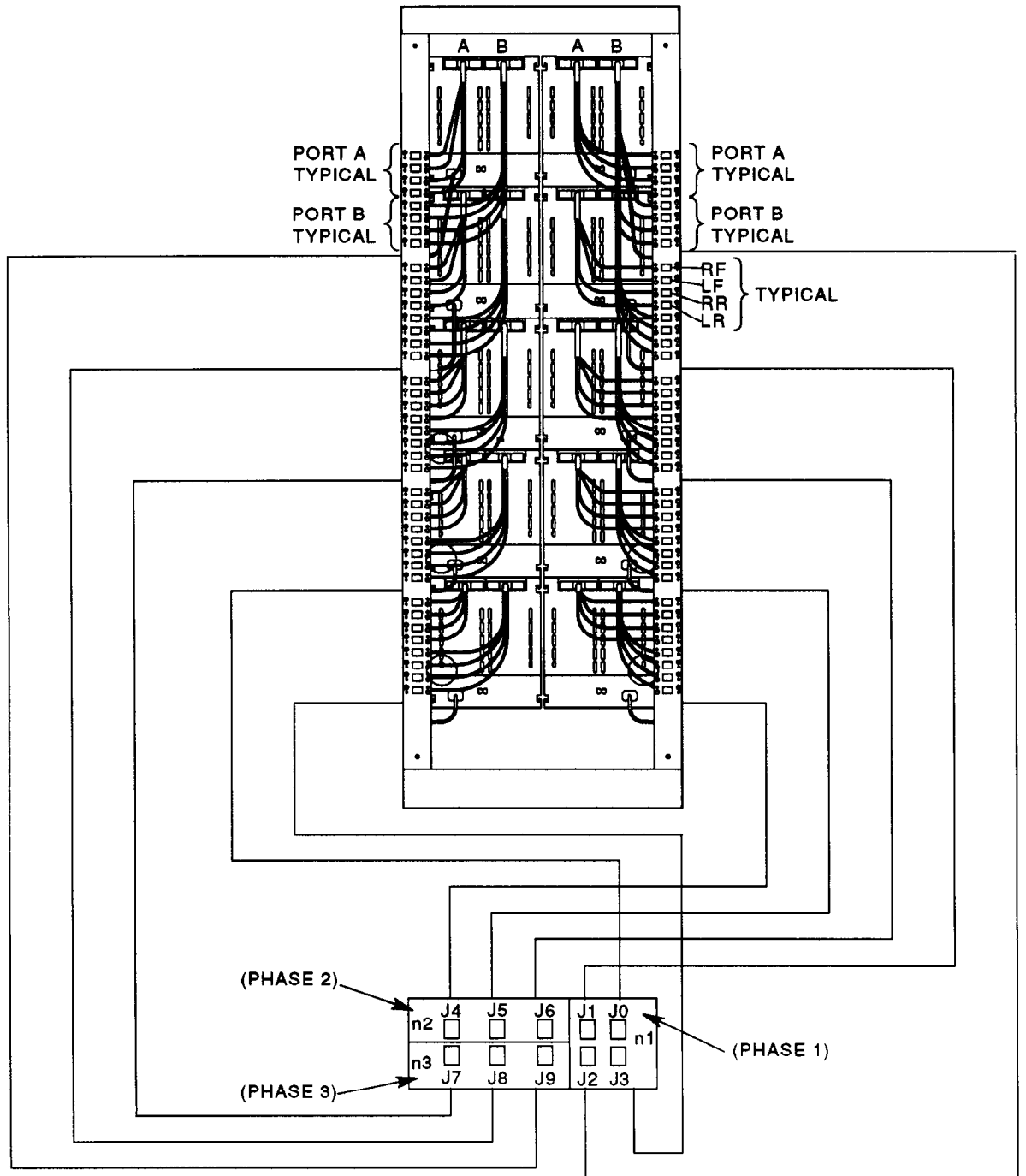
Complete the installation as follows:

1. Restore power to the cabinet.
2. Turn on all storage devices in the cabinet. Spin up all drives and place them on line. Check out all storage devices as described in the component user guide or service manual.
3. Ensure that the rear panel will clear the external cables. If necessary, adjust the side panels to provide additional clearance.
4. Replace the rear panel and close the front panel.

Installing the SA7x

4.11 Installing the SA7X Enclosure

Figure 4-9 SA900 Power Cords—SA7x Enclosures



CXO-3570A-TI

Troubleshooting the SA7x

This chapter explains how to troubleshoot the SA7x enclosure.

For complete information about troubleshooting RA7x disk drives, see the *RA7x Disk Drive Service Manual*. For instructions on removing and replacing field replaceable units (FRUs), see the *SA7x Enclosure Service Manual*.

5.1 Identifying Problems

The following table lists the problems you might encounter with the SA7x enclosure. It also refers you to the section in this chapter that explains how to troubleshoot each problem.

Table 5–1 SA7x Problems and Troubleshooting References

Problem	Refer to
The entire enclosure is dead; the power supply Fault indicator is lit.	Section 5.2.1
The entire enclosure is dead; the power supply Fault indicator is not lit.	Section 5.2.2
A drive power indicator flashes.	Section 5.3
A drive shows excessive errors or displays a fault on the OCP.	Section 5.4
A drive is not “visible” to the controller.	Section 5.6
The OCP indicators are not lighting, a drive does not respond to OCP commands, or the unit number changes after power-up.	Section 5.7

5.2 Troubleshooting a Dead Enclosure

A dead enclosure is usually caused by a power supply problem. Such a problem can have two different indications. In one case, the Fault indicator is lit; in the other, the Fault indicator is off. The following sections describe the procedures for troubleshooting each of these problems.

5.2.1 If the Fault Indicator Is Lit

If the SA7x enclosure is dead and the power supply Fault indicator is lit, turn off the Master On/Off switch located on the rear of the power supply. Check for airflow obstructions. Also check whether the enclosure has been exposed to an overtemperature condition at the operating site.

If the enclosure has been exposed to an overtemperature condition:

1. Allow the enclosure to cool, and then turn it back on.

Troubleshooting the SA7x

5.2 Troubleshooting a Dead Enclosure

2. If the enclosure returns to normal operation, the fan operates, and the Fault indicator does not light, an overtemperature condition at the operating site is the likely cause of the failure. Investigate and correct the overtemperature condition.

Note

An overtemperature may also show up through one of the error logs. If an error log shows overtemperature and the Fault indicator is not lit, the RA7x disk drive is most likely the cause of the failure. Refer to the *RA7x Disk Drive Service Manual* for additional troubleshooting information.

If the enclosure has *not* been exposed to an overtemperature condition:

1. Leave the enclosure off for 10 seconds, and then turn it back on.
2. If the enclosure still does not operate, replace FRUs in the following order until the problem is corrected:
 - a. Power supply
 - b. Fan assembly
 - c. Transition board 1 (TB1)
 - d. Transition board 2 (TB2)
 - e. The enclosure assembly (See the appropriate storage array guide for instructions.)

5.2.2 If the Fault Indicator Is Not Lit

If the enclosure is dead and the power supply Fault indicator is not lit:

1. Verify site power by checking other equipment on the same line and the circuit breakers to the cabinet.
2. Verify that the enclosure power plug is connected.
3. Verify that the cabinet power controller is connected to the site's line voltage outlet.
4. Verify that the Line Voltage Selector switch on the rear panel of the power supply is set to the correct voltage.
5. Verify that the cabinet power controller and the enclosure power supply are turned on.
6. If the enclosure still does not start, check for an overcurrent condition in the power supply by removing power to the disk drives. Do this by pressing the drive power switches on the front of the enclosure.
7. If the enclosure fan starts, proceed to Step 3 in Section 5.3.
8. If the enclosure fan does not start, replace FRUs in the following order until the problem is corrected:
 - a. Power supply
 - b. TB1
 - c. TB2

- d. The enclosure assembly (See the appropriate storage array guide for instructions.)

5.3 Troubleshooting a Flashing Drive Power Indicator

Note

If power from the power supply is erratic, the drive may spin up and then spin down. These on and off cycles may occur because the voltage monitor in the device detects that power is going in and out of tolerance ranges. When the monitor detects low power, the drive begins its shutdown procedure. As the drive shuts down, power may again return to normal; the drive receives initializing commands and spins up again.

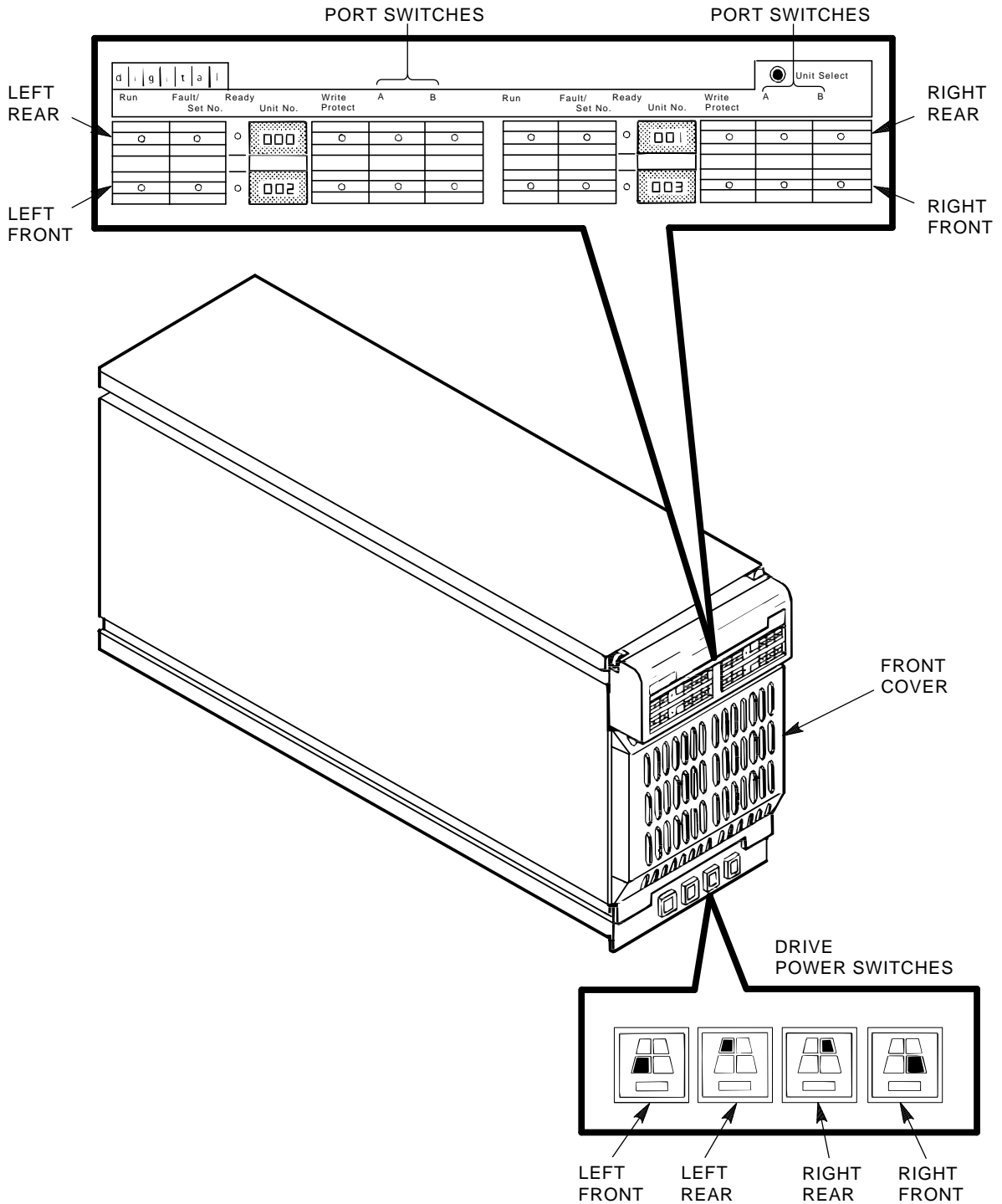
Flashing drive power indicators indicate an overcurrent condition at the power supply output. (See Figure 5-1.) If the drive power indicators are flashing:

1. Reset the operator control panel (OCP) switches:
 - a. Press both Port A and Port B switches to deselect these ports.
 - b. Press the Run switch to deselect the drive.
 - c. Repeat this step for all disk drives in the enclosure.
2. Remove power to the disk drives by pressing each of the drive power switches.
3. Restore power to the disk drives by pressing each of the drive power switches one at a time.
 - a. If the drive power indicator lights steadily when you press the switch, that drive is not causing the overload.
 - b. If the drive power indicator flashes when you press the switch, that drive is causing the overload.
4. Remove the disk drive causing the overload and install it in a different position in the enclosure.
 - a. If the drive power indicator for that position flashes, the disk drive is at fault. Replace the drive's electronic control module (ECM) or head disk assembly (HDA). (See the *RA7x Disk Drive Service Manual* for instructions.)
 - b. If the drive power indicator for that position does not flash, the opening that had the flashing drive power indicator is at fault. Replace the FRUs in the following order until the problem is corrected:
 - a. Power supply
 - b. Power harness
 - c. The enclosure assembly (See the appropriate storage array guide for instructions.)

Troubleshooting the SA7x

5.3 Troubleshooting a Flashing Drive Power Indicator

Figure 5-1 SA7x Enclosure Front Panel



CXO-1867D_S

5.4 Troubleshooting Excessive Drive Errors or a Fault Condition

If the system is displaying excessive drive errors or a fault condition, check to the following resources to isolate the problem to a disk drive or enclosure FRU.

Note

When referring to error codes, note that power low or thermal errors on any or all disk drives could indicate a problem with an enclosure FRU. Media errors on all drives could indicate an enclosure power supply fault. Check the power supply as explained in Sections 5.2.1 and 5.2.2.

The *DSA Troubleshooting Flowchart* has extensive information for troubleshooting disk drives using the following resources:

- **OCP error code**—Identify the OCP error code as explained in Section 5.5. Refer to the *SA7x Enclosure Service Manual* to interpret OCP error codes.
- **VAXsimPLUS**—Use VAXsimPLUS software to obtain theory codes that can be referenced by VAXsimPLUS support personnel for servicing recommendations.
- **Host error log**—Refer to the host system documentation to access the host error log and obtain an error code. This error code determines if the problem is with the the SA7x enclosure or an RA7x disk drive.
- **HSC console log**—If the RA7x disk drives are connected to an HSC controller, check the HSC console log. Refer to the HSC documentation to decode the console error log.
- **Internal drive error log**—Refer to the *RA7x Disk Drive Service Manual* and run the RA7x disk drive utility to extract the drive error log. The *RA7x Disk Drive Service Manual* also explains how to decode the drive error log and obtain the error code. With this information, you can determine if the fault is in the disk drive or an enclosure FRU.

5.5 Reading OCP Error Codes

The SA7x enclosure OCP displays error codes on the indicator set for each drive. (Refer to Figure 5–1.) These codes provide an initial clue to a drive fault prior to the detailed analysis provided by the drive's internal log.

If the Fault/Set No. indicator lights to signal that the disk drive has detected a fault:

1. Press the Fault/Set No. switch once. This causes the drive to display an error code on the drive's indicator set on the OCP.
2. Note the error code. The code is displayed as flashing indicators on the OCP.

Note

While in the fault mode, the OCP indicators do not retain their normal function; they act only as error code indicators until you press the Fault/Set No. switch a second time.

Troubleshooting the SA7x

5.5 Reading OCP Error Codes

3. Refer to the *SA7x Enclosure Service Manual* for a list of the OCP error codes with the suggested FRU replacement.
4. Press the Fault/Set No. switch again. This commands the drive to clear the fault and return to normal operation.
 - a. If the fault clears, you may resume operation. Note the fault code in the system log in case you need it for future fault analysis.
 - b. If neither the Ready indicator nor the Fault/Set No. indicator lights, the disk drive is at fault. See the *RA7x Disk Drive Service Manual* for more information on troubleshooting RA7x disk drives.

5.6 Troubleshooting a Drive Not Visible to the Controller

If a drive is not visible to a controller:

1. Verify that the drive is properly installed in the enclosure.
2. Verify that the correct ports are selected.
3. Verify that the correct unit number is selected for the drive.
4. Verify that the SDI cables are properly connected to the I/O bulkhead.
5. If the preceding conditions are met, replace the FRUs in the following order until the problem is corrected:
 - a. RA7x electronic control module (ECM) (See the *RA7x Disk Drive Service Manual* for instructions.)
 - b. External SDI cables (See the appropriate storage array guide for instructions.)
 - c. Enclosure internal SDI cables
6. If the cabinet cables are not at fault, refer to the *DSA Troubleshooting Flowchart* to determine if the controller is at fault. If the controller is not at fault, replace the enclosure assembly. (See the appropriate storage array guide for instructions.)

5.7 Troubleshooting the OCP

If one or more OCP indicators for a disk drive consistently fails to light:

1. Verify that the OCP is firmly seated in the enclosure.
2. Verify that a disk drive is installed and powered up in the disk drive position.
3. Press and hold the Fault/Set No. for that position as a lamp test.
4. If any indicator does not light, replace the FRUs in the following order until the problem is corrected:
 - a. OCP
 - b. RA7x ECM (See the *RA7x Disk Drive Service Manual* for instructions.)
 - c. The two OCP ribbon cables
 - d. TB1
 - e. TB2

Troubleshooting the SA7x

5.7 Troubleshooting the OCP

- f. The enclosure assembly (See the appropriate storage array guide for instructions.)

If a disk drive does not respond to OCP commands, move it to another drive position in the enclosure to see if the drive is at fault or if the drive position is at fault.

1. If the disk drive is at fault, replace the RA7x ECM. (See the *RA7x Disk Drive Service Manual* for instructions.)
2. If the disk drive is *not* at fault, replace the FRUs in the following order until the problem is corrected:
 - a. OCP
 - b. The two OCP ribbon cables
 - c. TB1
 - d. TB2
 - e. The enclosure assembly (See the appropriate storage array guide for instructions.)
3. If the unit number changes after power up, replace the FRUs in the following order until the problem is corrected:
 - a. TB2
 - b. Power supply
 - c. OCP
 - d. The two OCP ribbon cables
 - e. TB1
 - f. The enclosure assembly (See the appropriate storage array guide for instructions.)

A

Environmental Stabilization

Always ensure environmental stabilization of the RA7x disk drive or RA7x FRU prior to installation or before operation if the disk drive has been removed from its normal operating site. Otherwise, the drive media or associated electronics may be damaged. Environmental stabilization includes temperature and humidity stabilization.

If condensation is visible on the outside of the disk drive, stabilize the disk drive or enclosure in the operating environment for 6 hours or until the condensation is no longer visible, whichever is longer. Do not insert the disk drive into the SA7x enclosure until it is fully stabilized.

If condensation is not visible on the drive, see Table A-1 for the correct thermal stabilization time.

CAUTION

The disk drive can be stabilized in or outside the SA7x enclosure. However, do not spin up the drive until it is stabilized.

Table A-1 Thermal Stabilization Specifications

Temperature Range Degrees C	Temperature Range Degrees F	Minimum stabilization time
60 to 66	140 to 151	3 hours
50 to 59	122 to 139	2 hours
40 to 49	104 to 121	1 hour
30 to 39	86 to 103	30 minutes
18 to 29	65 to 85	No stabilization required
10 to 17	50 to 64	30 minutes
0 to 9	32 to 49	1 hour
-10 to -1	14 to 31	2 hours
-20 to -11	-4 to 13	3 hours
-30 to -21	-22 to -5	4 hours
-40 to -31	-40 to -21	5 hours

RA7x Error Rates

B.1 RA7x Error Rates

This section defines the acceptable error rates for the RA7x disk drive.

When using these drives on typical systems and current technology operating software, it is possible that the system may occasionally report recoverable disk errors in the host error log. The rate of these errors depends upon specific applications and the resulting I/O rates. If error rates are no more than those listed in Table B-1, the RA7x drive is performing within specifications.

Table B-1 RA71-RA72 System Error Rate

Reported Drive Error Code	I/O Rate (I/Os per Second)	Possible Error Count per 24 Hours
39	10	1
39	20	2
39	30	2-3
39	40	3-4

Revision Support

This appendix lists the **minimum** versions of operating systems, diagnostics, and SDI controllers that support RA71 through RA73 disk drives in Release 43.

The diagnostics and VAX Supervisor programs in Table C-1 all recognize RA71 through RA73 disk drives. The retired VAX Supervisor programs in Table C-2 do not recognize RA71 through RA73 disk drives. However, they will properly test and operate the RA71 and RA72 with the above disk drive diagnostics if the RA71 through RA73 disk drives are “attached as RA70 disk drives” during program setup.

Table C-3 lists the operating systems and Table C-4 lists the SDI controllers for the RA71 through RA73 disk drives.

Table C-1 VAX Diagnostics for RA71–RA73 Drives

Diagnostic/ Supervisor	Description	Minimum Version
EVRAE	Generic MSCP Exerciser	4.3
EVRLB	UDA/KDB50 Basic Disk Formatter	8.3
EVRLF	UDA/KDB50 Basic Subsystem Diagnostic	10.4
EVRLG	UDA/KDB50 Disk Drive Exerciser	10.3
EVRLJ	VAX UDA/KDB50/KDM70 Exerciser	4.3
EVRLK	VAX Bad Block Replace Utility	4.3
EVRLM	VAX Disk Resident Error Log Utility	3.3
EVRLN	KDM70 EEPROM Update Utility	1.6
EVRLN	DUP Control Program	1.6
EBSAA	Supervisor, 8200, 8250, 8300, 8550 (Bereta)	14.4–PAT1
ELSAA	Supervisor, 5800, 6000-2xx, 6000-3xx	14.4–PAT1
EMSAA	Supervisor, 6000-5xx	14.4–PAT1
ERSAA	Supervisor, 6000-4xx	14.4–PAT1
EVSBA	VAX Diagnostic Autosizer	7.5
EVSBB	VAX Online Autosizer	4.0

Revision Support

Table C–2 Retired VAX Supervisor Programs

Supervisor Program	Description
ECSAA	Supervisor, 750
EDSAA	Supervisor, 8600, 8650
EJSAA	Supervisor, 8820/30/40
ENSAA	Supervisor, 725, 730
ESSAA	Supervisor, 780, 785
EWSAA	Supervisor, 9000
EZSAA	Supervisor, 8530, 8550, 8700, 8800, 8820N

Table C–3 Operating Systems for RA71–RA73 Drives

Operating Systems Software	RA71/RA72 Minimum Version	RA73 Minimum Version
VMS	5.4-2 ¹	5.5-2
VAXsimPLUS	1.6	2.0
ULTRIX-32	4.2	4.3
VAXELN	4.3	4.3-x
VAX System 5	3.2.1	Not planned

¹The Error Log Formatter (ERF) version 5.4-2 must be upgraded to version 5.4-2 (0001) to support RA71/RA72. Version 5.5-2 required to support RA73.

Table C–4 SDI Controllers for RA71–RA73 Drives

SDI Controller	Minimum Version
HSC40 (CRONIC)	V600
HSC50 (CRONIC)	V410
HSC60 (CRONIC)	V600
HSC70 (CRONIC)	V600
HSC90 (CRONIC)	V600 K.SI Interface SW Version 12 K.SDI Interface SW Version 39/40
KDM70	SW Version 30 (3.0) HW Version 17
KDA50	SW Version 8 HW Version 4
KDB50	SW Version 20 HW Version 28
UDA50A	SW Version 6 HW Version 0

C

Controller support, C-1
Courses, related, viii

D

Diagnostics support, C-1
Disk drives
 installing and removing a drive position filler, 3-8
 installing and removing an RA7x disk drive, 3-2
 placing off line, 2-8
 placing on line, 2-7
 serial numbers, 3-3
Documentation, related, viii
Drive position filler
 installing and removing, 3-8
Drive power switches and indicators
 using, 2-4

E

Environmental limits, 1-9
Environmental stabilization, A-1
Error rate
 for RA7x, B-1

I

Installing add-on storage devices
 SA7x enclosure installed in the SA900, 4-6

M

MFG code, 3-4

O

OCP
 summary of functions, 2-3
 troubleshooting, 5-6
 using, 2-1
Operation
 applying power to the SA7x enclosure, 2-6
 placing RA7x drives on line and off line, 2-7

Operation (cont'd)

 using SA7x front panel switches and indicators, 2-1
 using SA7x rear panel switches and indicators, 2-5
Overview, 1-1

P

Precautions, 1-10
 data recovery, 1-10
 electrostatic discharge, 1-11
 operating temperature, 1-11
Problems and troubleshooting references, 5-1

R

Revision support, C-1

S

SA7x enclosure
 installed as add-on in SA900, 4-6
Serial numbers, disk drive, 3-3
Specifications, 1-9
Switches and indicators
 front panel, 2-1
 rear panel, 2-5

T

Troubleshooting
 dead enclosure–Fault indicator lit, 5-1
 dead enclosure–Fault indicator not lit, 5-2
 drive not visible to the controller, 5-6
 excessive drive errors or a fault condition, 5-5
 flashing drive power indicator, 5-3
 identifying problems, 5-1
 OCP, 5-6
 reading OCP error codes, 5-5

