

Basic Purpose Printer LB20



Sparepart Catalogue

Acknowledgment

IBM, PC, XT, AT, PS/2, Proprinter and 4722 are registered trademarks of International Business Machines Corporation

MS-DOS, Windows 3.1x, Windows 95 and WindowsNT are trademarks of Microsoft Corporation.

A publication of:

DIGITAL EQUIPMENT BCFI AB
P.O. Box 904
S-175 29 Järfälla, Sweden

Printed in Sweden, March 1997

© Digital Equipment Corporation, 1997
All rights reserved

The information in this document is subject to change without notice and should not be construed as a commitment by Digital Equipment Corporation. Digital Equipment Corporation assumes no responsibility for any error, which may appear in this document.

Digital conducts its business in a manner that conserves the environment and protects the safety and health of its employees, customers, and the community.

Digital, the Digital logo, DEcbank and FBS are trademarks of Digital Equipment Corporation.

Part number: EK-LB20A-PG.001

1.1 Contents

1 INTRODUCTION.....	1-1
1.1 Contents.....	1-1
1.2 General Information	1-2
1.3 How to find the correct ordering number	1-2
2 PARTS LIST.....	2-1
2.1 Enclosure	2-2
2.2 Main Frame Motors	2-4
2.3 Main Frame Rollers	2-6
2.4 Feeding Frame	2-8
2.5 Carrier Frame	2-10
2.6 Electronics.....	2-12

1.2 General Information

Exploded views are provided showing the parts in the printer. For each view, each part is assigned a number, which references a description of the parts as follows:

- Order part number (P/N)
- Factory part number (P/N)
- Description
- MTBF

Field Replaceable Units (FRU's) are indicated in the parts list with the calculated Mean Time Between Failure (MTBF)

Part quantities are indicated in brackets only when the quantity exceeds one.

1.3 How to find the correct ordering number

The Order Number is used when ordering assemblies and parts, and can be ordered through the normal Digital Logistics channels.

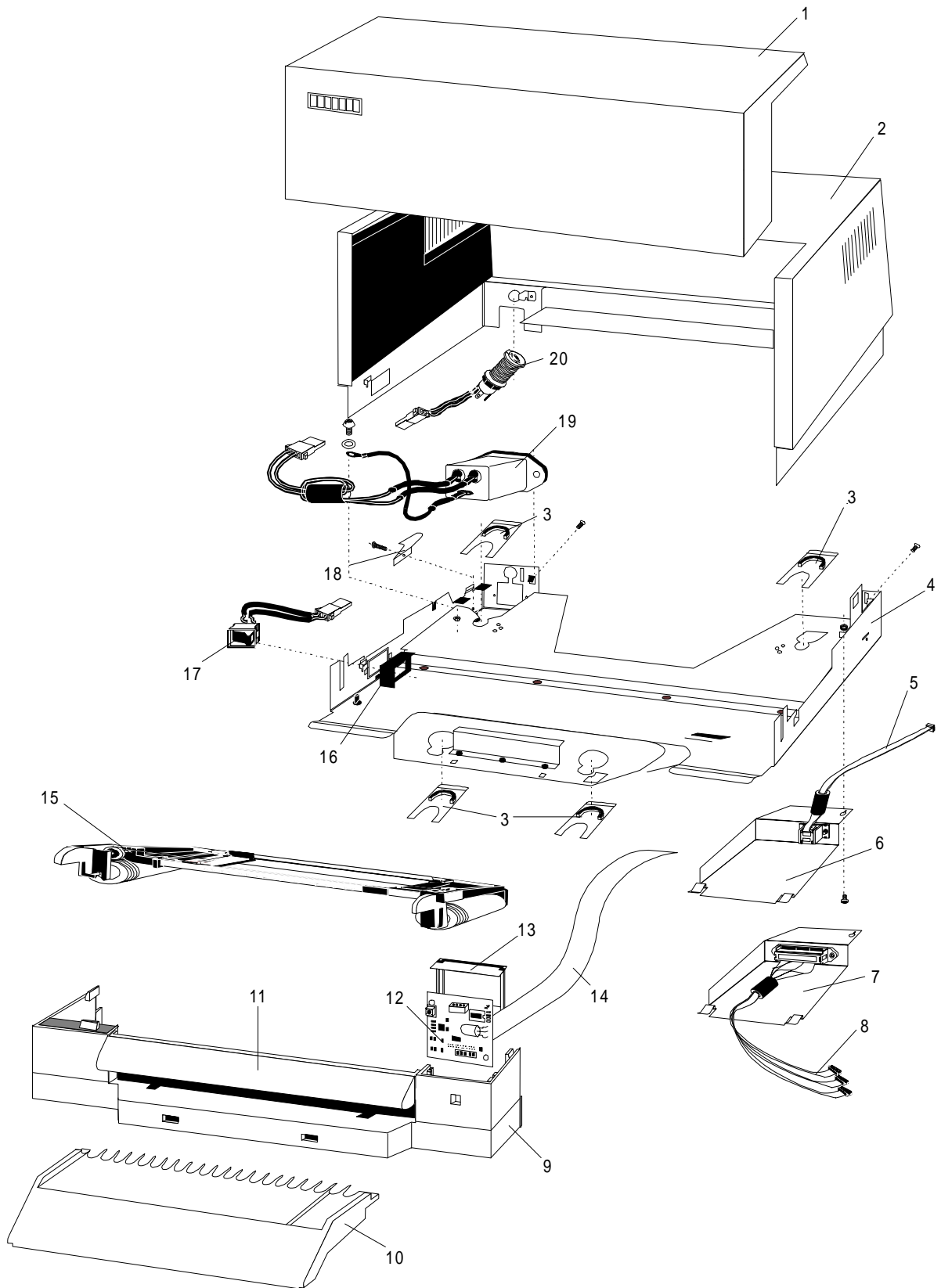
The Factory Number is normally used internally and is for reference only. However, this number can be used when in direct contact with;

Digital Equipment BCFI AB
Attn: Orderdesk
P.O.Box 904
S-175 29 JÄRFÄLLA, SWEDEN.

All spare parts are showed, and numbered, in exploded views on left side pages and with a part list on right side pages.

A item number can indicate more than 1 spare part due to the complexity of the picture.

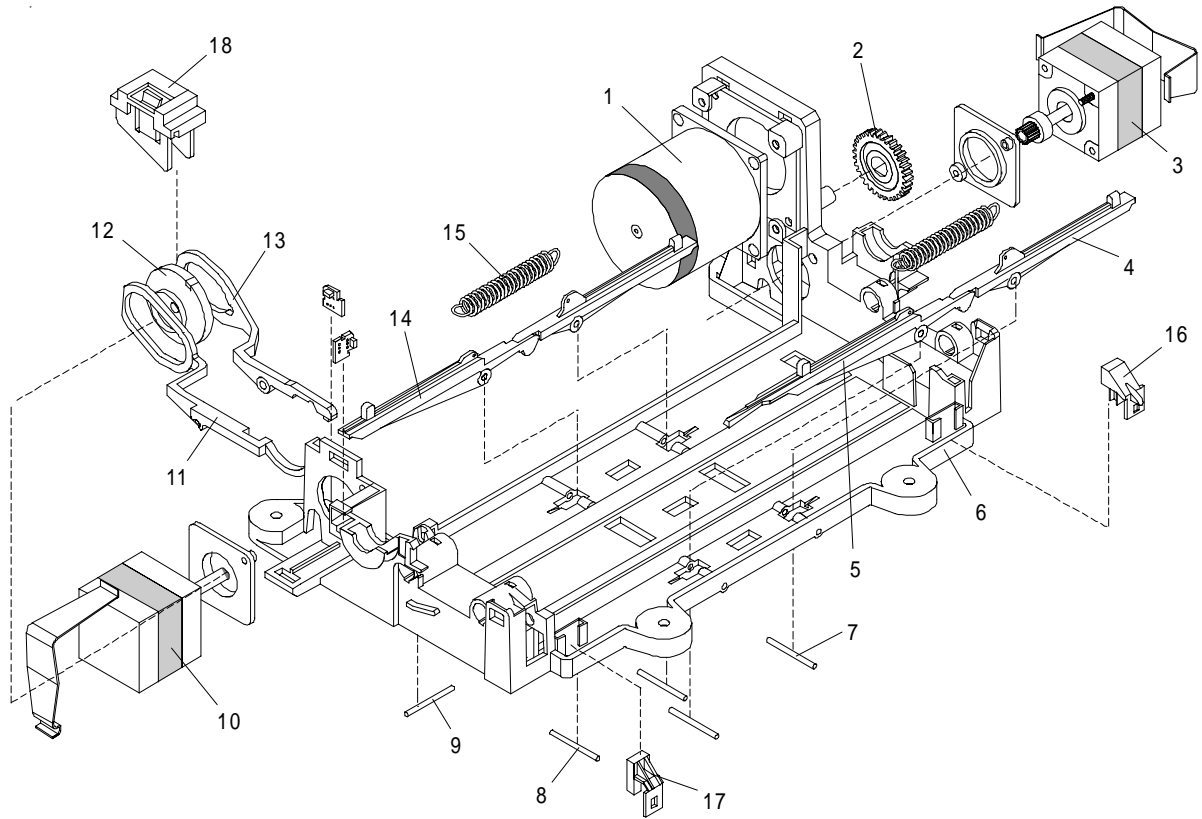
Some parts (tools etc.) are not showed in the pictures. In the part lists, these parts are marked with 'NS' instead of an item number.



Item	Order p/n	Factory p/n	Description	MTBF
1	29-33335-01 29-33347-01 29-33348-01 29-33334-01	5131 197 75200 5131 102 26250 5131 102 26380 3962 9183-999	Lid Sound Absorber, top Sound Absorber, front Permanent Magnet	
2	29-33335-01 29-33349-01 29-33350-01	5131 197 76400 5131 102 26230 5131 102 26240 5131 100 98460	Top Cover Sound Absorber, left Sound Absorber, right Sound Absorber, top	
3	29-33344-01	5131 102 25960	Lock Plate (4)	
4	29-33340-01	5131 197 74600	Bottom Plate	
5	29-33333-01	4356 4442 000	Serial Cable	
6	29-33341-01	5131 102 26070	Connector Plate, Serial	
7	29-33342-01	5131 102 25950	Connector Plate, Parallel	
8	29-33342-01	4356 3048-000	Parallel Cable	
9	29-33337-01 29-33351-01	5131 197 75100 5131 102 26180	Front Cover Lens	
10	29-33343-01	5131 102 26110	Document Guide	
11	29-33338-01	5131 102 26150	Button Bar	
12	29-33326-01	4357 0506-000	Control Panel Board	234742
13	29-33339-01	5131 102 26160	Control Panel Cover	
14	29-33328-01	3645 3066-000	Control Panel Cable	
15	2S-AA373-AA	4357 1827-000	Mylar cassette assembly	2400000
16	29-33346-01	5131 102 25920	Switch cover	
17	29-33329-01	3255 03203-000	ON/OFF Switch	
18	29-33345-01	5131 102 25970	Clamp, PCB box	
19	29-33330-01	3255 0311-000	AC Plug	
20	29-33331-01	4356 1943-000	Voltage Selector	
NS	29-33322-01	4356 8054-000	Print Module	10000
NS	2S-AA374-01		Ink ribbon cassette	2.5 M Character

2.2

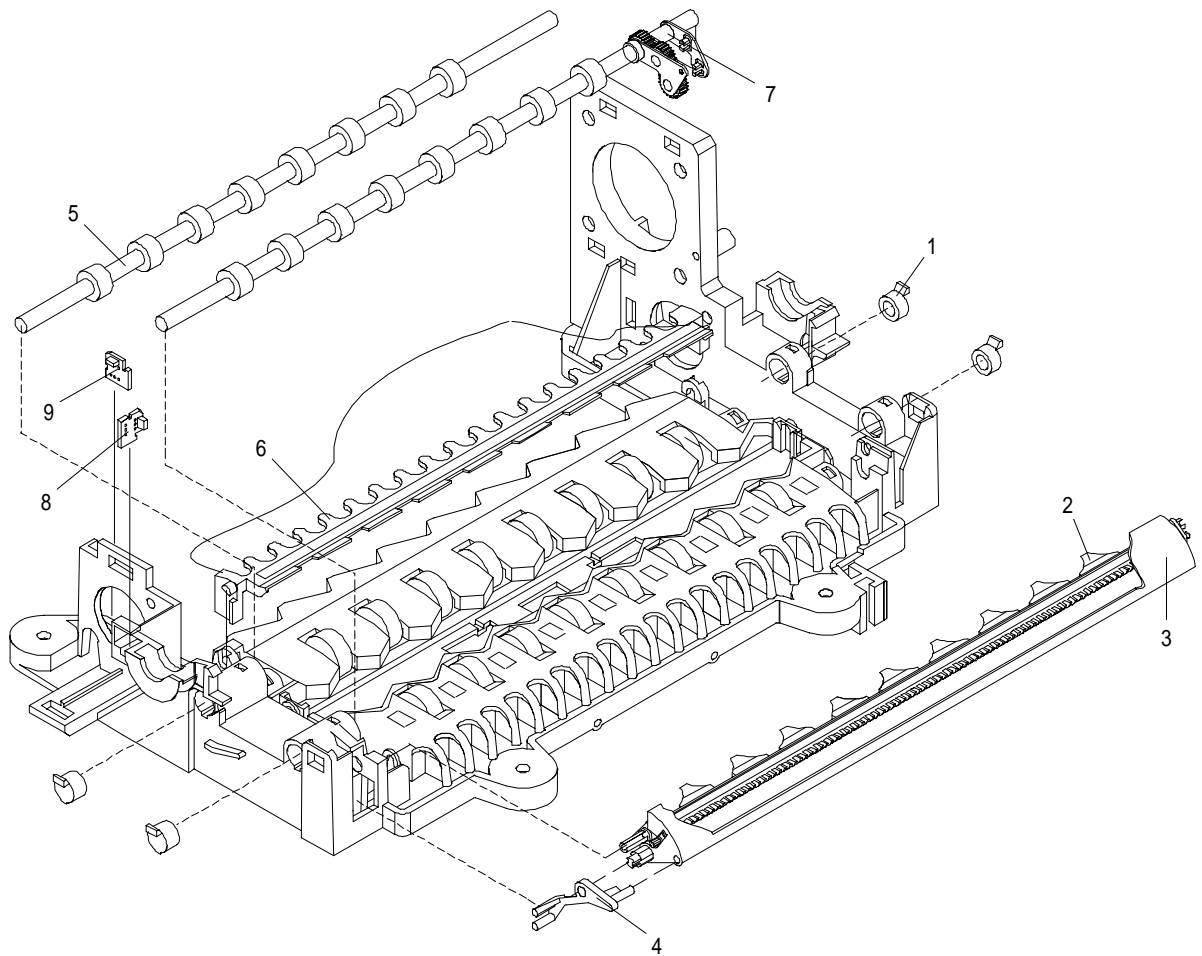
Main Frame Motors



Item	Order p/n	Factory p/n	Description	MTBF
1	29-33677-01 29-33603-01 29-33677-01 29-33678-01 29-33679-01	4357 1751-000 3645 4494-000 1241 7234 1256 7749 1841 9747	Printhead Carrier motor assy Bumper Screw (4) Lock washer (4) Nut (4)	250000
2	29-33604-01 29-33680-01 29-33605-01	3645 2498-001 1834 5249 3963 1429-000	Transmission gear assy Screw Washer cup	
3	29-33533-01 29-33606-01 29-33607-01	4357 1769-000 3645 3512-000 3645 3470-000	Form feeder motor assy Lock Bumper	250000
4	29-33608-01	3645 2530-003	Right lever (2)	
5	29-33609-01	3645 2779-003	Left lever with heel	
6	29-33610-01 29-33611-01 29-33612-01 29-33681-01	3645 2795-008 3645 4007-001 4353 1342-000 1600 1463	Main frame Rubber foot (4) Screw (4) Washer (4)	
7	29-33613-01	3963 1122-000	Front lever shaft (2)	
8	29-33638-01	3963 1064-000	Rear lever shaft (2)	
9	29-33615-01	3645 4452-002	Actuator shaft	
10	29-33534-01 29-33616-01 29-33607-01 Note:	4357 1777-000 3645 3520-001 3645 3470-000 Replace item 12 as well	Multifunction motor assy Lock Bumper	250000
11	29-33617-01	3645 3884-002	Form feeder actuator	
12	29-33618-01	3256 3629-000	Multifunction cam assy	
13	29-33619-01	3645 4965-004	Anvil actuator assy	
14	29-33620-01	3645 2787-002	Left lever	
15	29-33621-01	3645 4445-000	Extension spring (2)	
16	29-33622-01	4356 0499-000	Housing detector right	
17	29-33623-01	4356 0481-000	Housing detector left	
18	29-33624-01	963 2567-000	Actuator guide	

2.3

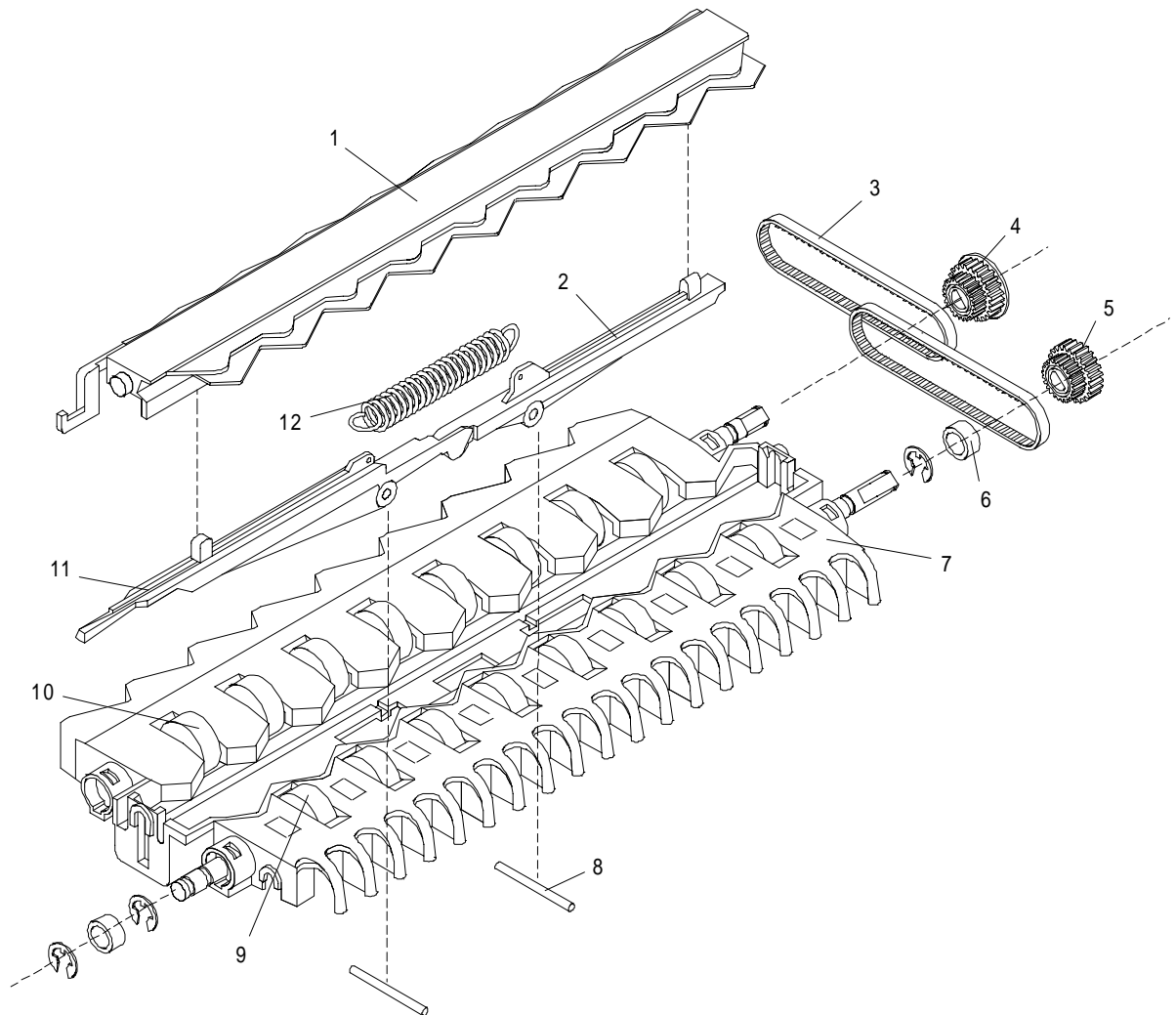
Main Frame Rollers



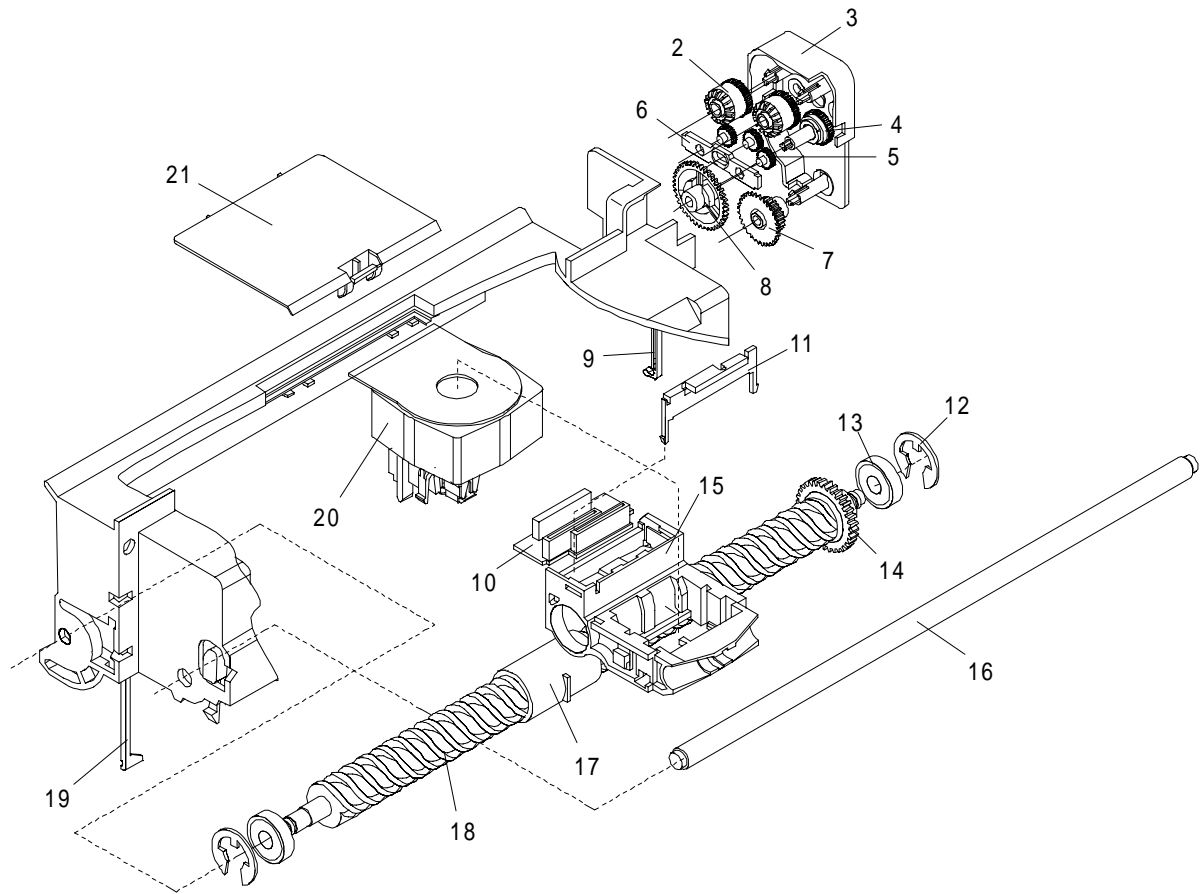
Item	Order p/n	Factory p/n	Description	MTBF
1	29-33625-01	3255 0519-000	Closed bearing (4)	
2	29-33626-01	4356 1315-000	Detection fingers assembly	
3	29-33627-01 29-33628-01	4356 0622-000 4356 2859-000	Flap Spring	
4	29-33629-01	3645 3959-001	Flap actuator	
5	29-33630-01	3963 2856-000	Upper rear driving roll	
6	29-33631-01	4356 0531-000	Upper paper guide assy	
7	29-33632-01	4356 4244-000	Upper front driving roll assy	
8	29-33535-01	4357 1793-000	P0 XFT sensor assy	1000000
9	29-33536-01	4357 1801-000	P0 carrier sensor assy	1000000

2.4

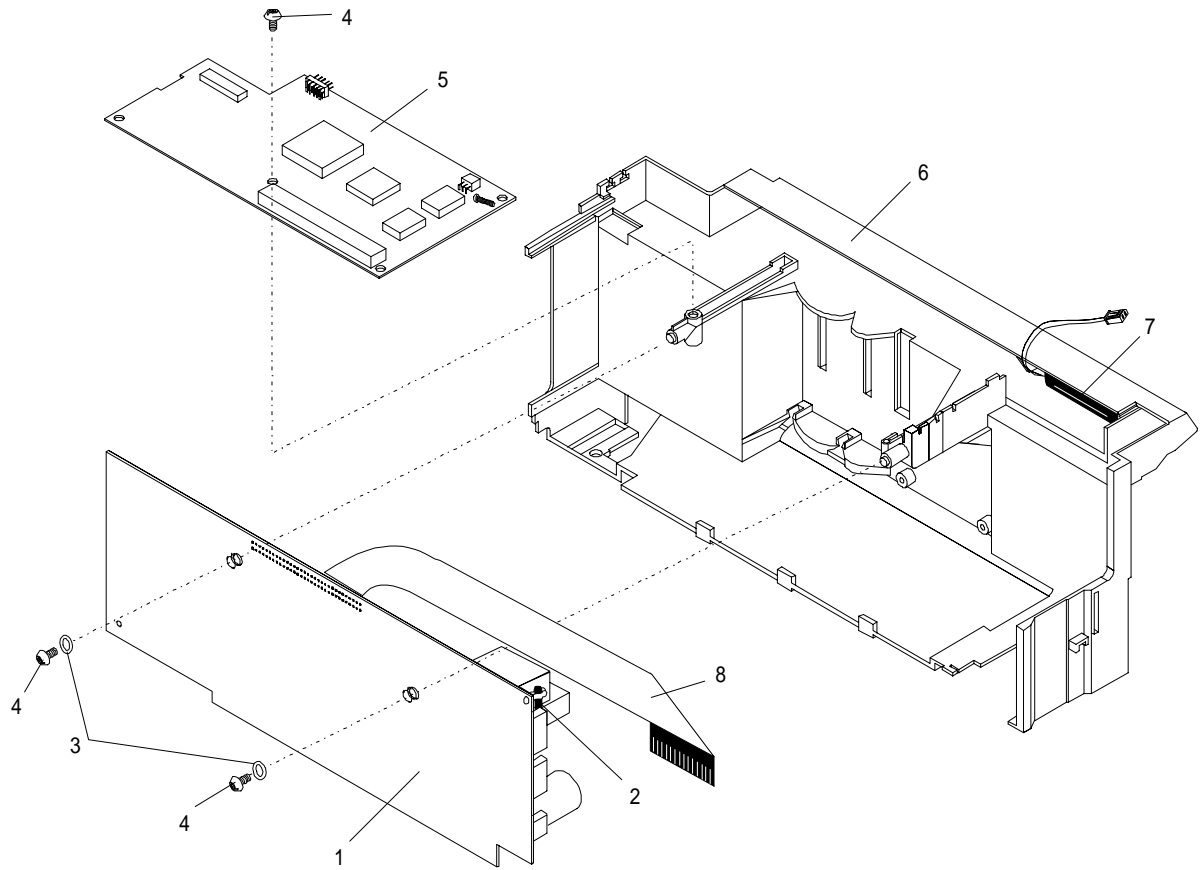
Feeding Frame



Item	Order p/n	Factory p/n	Description	MTBF
1	29-33633-01	4356 1281-002	Anvil assy	
2	29-33608-01	3645 2530-003	Right lever	
3	29-33537-01	4357 1819-000	Belt set	500000
4	29-33634-01	645 3967-000	Pulley	
5	29-33635-01	3963 1098-000	Pulley	
6	29-33636-01	3645 3983-000	Feeding frame bushing (2)	
7	29-33637-01	4356 0614-002	Feeding frame	
8	29-33638-01	3963 1064-000	Shaft (2)	
9	29-33639-01 29-33640-01 29-33641-01	3645 3041-000 3645 2811-000 1255 3392	Front lower driving roll Open bearing (2) Retaining ring (5)	
10	29-33642-01 29-33640-01 29-33625-01 29-33641-01 29-33643-01	3645 3033-000 3645 2811-000 3255 0519-000 1255 3392 3645 3975-000	Rear lower driving roll Open bearing Closed bearing Retaining ring Washer	
11	29-33609-01	3645 2779-003	Left lever with heel	
12	29-33644-01	3963 3300-000	Extension spring	



Item	Order p/n	Factory p/n	Description	MTBF
2	29-33645-01	3645 2597-000	Output gear (2)	
3	29-33646-01 29-33647-01	3645 2704-000 3645 2712-001	Gear frame Snap (2)	
4	29-33648-01	3645 2761-000	Driving gear	
5	29-33649-01	3645 2589-000	Free wheeling gear (3)	
6	29-33650-01	3645 2753-000	Gear holder	
7	29-33651-01	3645 2563-000	Input gear	
8	29-33652-01	3645 2571-000	Clutch gear	
9	29-33653-01	3645 3181-002	Right cassette lock	
10	29-33538-01	4357 1835-000	Printhead board	100000000
11	29-33654-01	3645 2894-000	Board holder	
12	29-33655-01	1255 3186	Clip (2)	
13	29-33656-01	3963 3805-000	Ball bearing (2)	
14	29-33657-01	3645 2472-000	Gear	
15	29-33539-01 29-33540-01	4357 1843-000 4357 1850-000	Head carrier assy, also require Edge detector assy	250000 100000
16	29-33658-01	3645 3173-000	Carrier shaft	
17	29-33541-01	4357 1868-000	Carrier nut	583333
18	29-33542-01 Note:	4357 1876-000 Replace also item 14	Spiral carrier shaft assy	583333
19	29-33659-01	3645 3199-001	Left cassette lock	
20	29-33361-01	4357 1884-000	Printhead assy	33000
21	29-33660-01	3645 4122-000	Trap door assy	
NS	29-33358-01	3963 1346-000	Extraction Tool for Printhead	



Item	Order p/n	Factory p/n	Description	MTBF
1	29-33325-01	4356 1828-000	Power-Interface board	33390
2	29-33662-01	4357 1918-000	Fuse, 3.15A slow	
3	29-33685-01	2531 79997011	Washer (2), 3.2x8x0.8	
4	29-33663-01	2531 055 00005	Screw torx (3), 2.9x9.5	
5	29-33323-01	4356 2362-001	Logic board, serial	205255
	29-33324-01	4356 1794-001	Logic board, parallel	157332
6	29-33327-01	3645 4361-002	PCB box	
7	29-33354-01	3963 1106-000	Battery assy	
8	29-33543-01	4357 1959-000	Printhead cable	

digital



Printed in Sweden on
Totally Chlorine Free paper (TCF)