

**ILLUSTRATED
PARTS
BREAKDOWN**

**LG01/LG02
LINEPRINTER**

HOW TO USE THE IPB

GENERAL

This IPB is compiled following the organization and nomenclature of the engineering drawing structure.

MAJOR ASSEMBLY LOCATOR (When Applicable)

The Major Assembly Locator (first illustration) is an index that provides a description and a figure reference for all illustrations used in this manual.

INDENTED PARTS LIST

This manual identifies each assembly being broken down (figure reference callout), and all parts of that assembly. Further breakdown of an assembly is shown by an asterisk (*) preceding the item callouts in the Description Column. The number of asterisks preceding an item is used to denote the subordination of that item with respect to the Major Assembly. A single asterisk preceding an item description indicates that the item is part of the major assembly being illustrated. Items that are subordinate to single asterisks items, are denoted by two asterisks (**) and immediately follow the related single asterisk item. Additional asterisks are used, as required, to denote further subordination. This system of part identification, provides a means for the user to identify the next higher assembly item and make alternate selections for parts when the required replacement part of assembly is not immediately available.

COLUMN CALLOUT DESCRIPTION

Figure and Item - Indicates the figure number and item number of each part.

Description - Lists the name of the part and pertinent specifications (when required). Asterisks preceding the description denote the subordination of the part to the next higher assembly.

DEC Part No. - Lists the Digital part ordering number. A blank in this column indicates a Digital part number was not assigned at the time of publication.

ECO Cut-In - The notation at the top of this column indicates the ECO level of the system (option), at which the IPB was initially prepared. Subsequent ECO level designations, that modify existing parts or add new parts to the device, are inserted in the ECO Cut-In column next to the part that is added or modified.

Used On Code - Letters in this column correspond to the variation codes assigned in Figure 1. Parts with an Alpha notation(s) are used only in those option variations. A blank indicates that the part is used on all option variations.

Ref Fig No. - A cross reference between illustrations. For each Major Assembly, the number in this column denotes the figure of the next higher assembly. For all subassemblies, the number in this column denotes the figure showing additional detailed breakdown.

PART NUMBER/PART DESCRIPTION SORT SECTION

Parts are sorted both numerically and alphabetically by description, referenced to a location within the IPB, by figure number and item number.

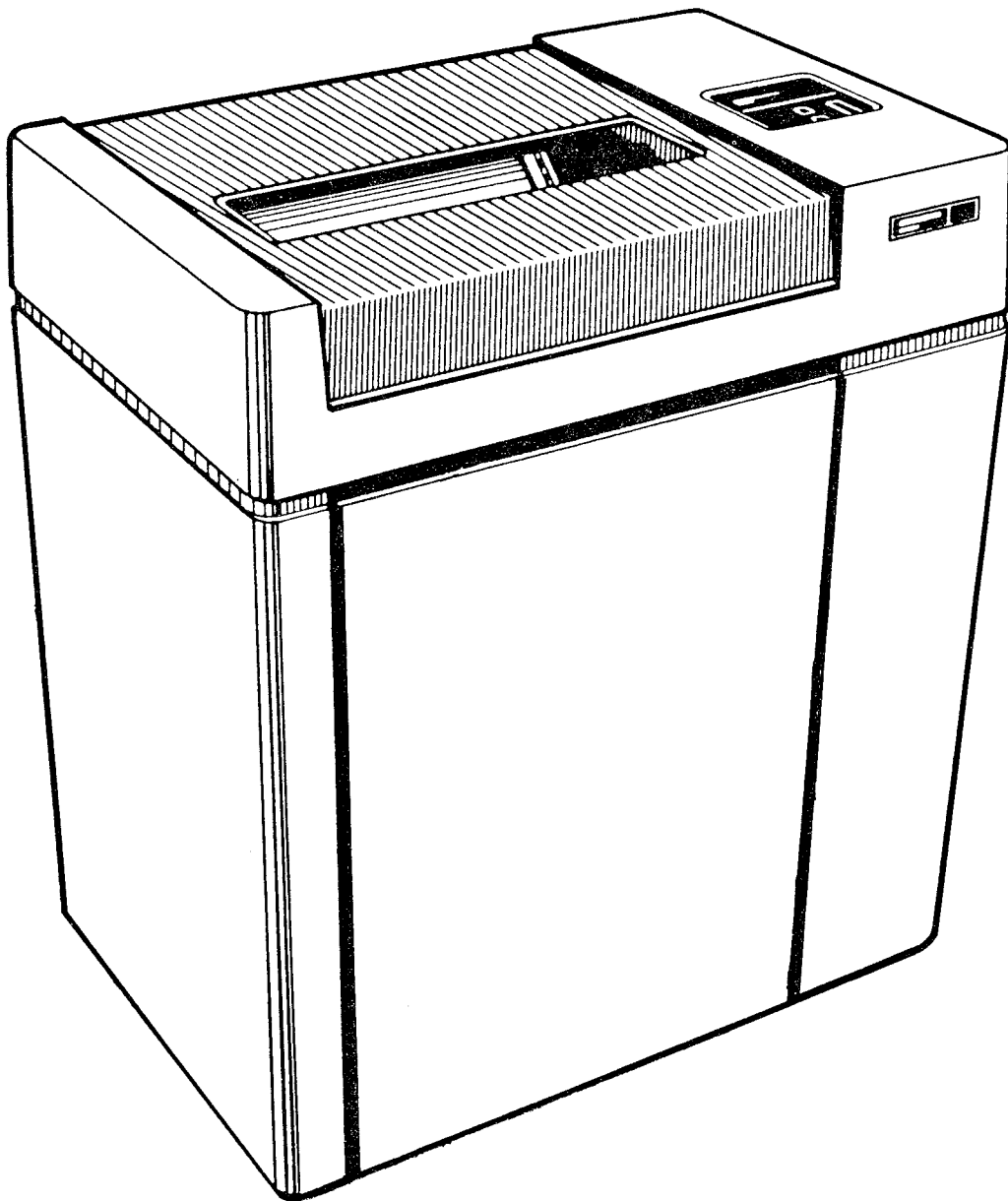
REVISION HISTORY			OTHER IPB MANUALS REQUIRED TO SUPPORT THIS OPTION
PRINTING	ECO LEVEL	DATE	
2nd Printing	N/A	25-JAN-88	N/A

Copyright © 1986, 1988 by Digital Equipment Corporation. All rights reserved.

Digital Equipment Corporation reserves the right, without notice, to make substitutions and modifications in the specifications of products documented in this manual and further reserves the right to withdraw any of these products from the market without notice.

Digital Equipment Corporation is not responsible for errors which may appear in the technical description (including illustrations and photographs) of the products covered by this manual.

None of the descriptions contained in this manual imply the granting of any license whatsoever to make, use or sell equipment constructed in accordance therewith.



LG01/02 Lineprinter

1

2

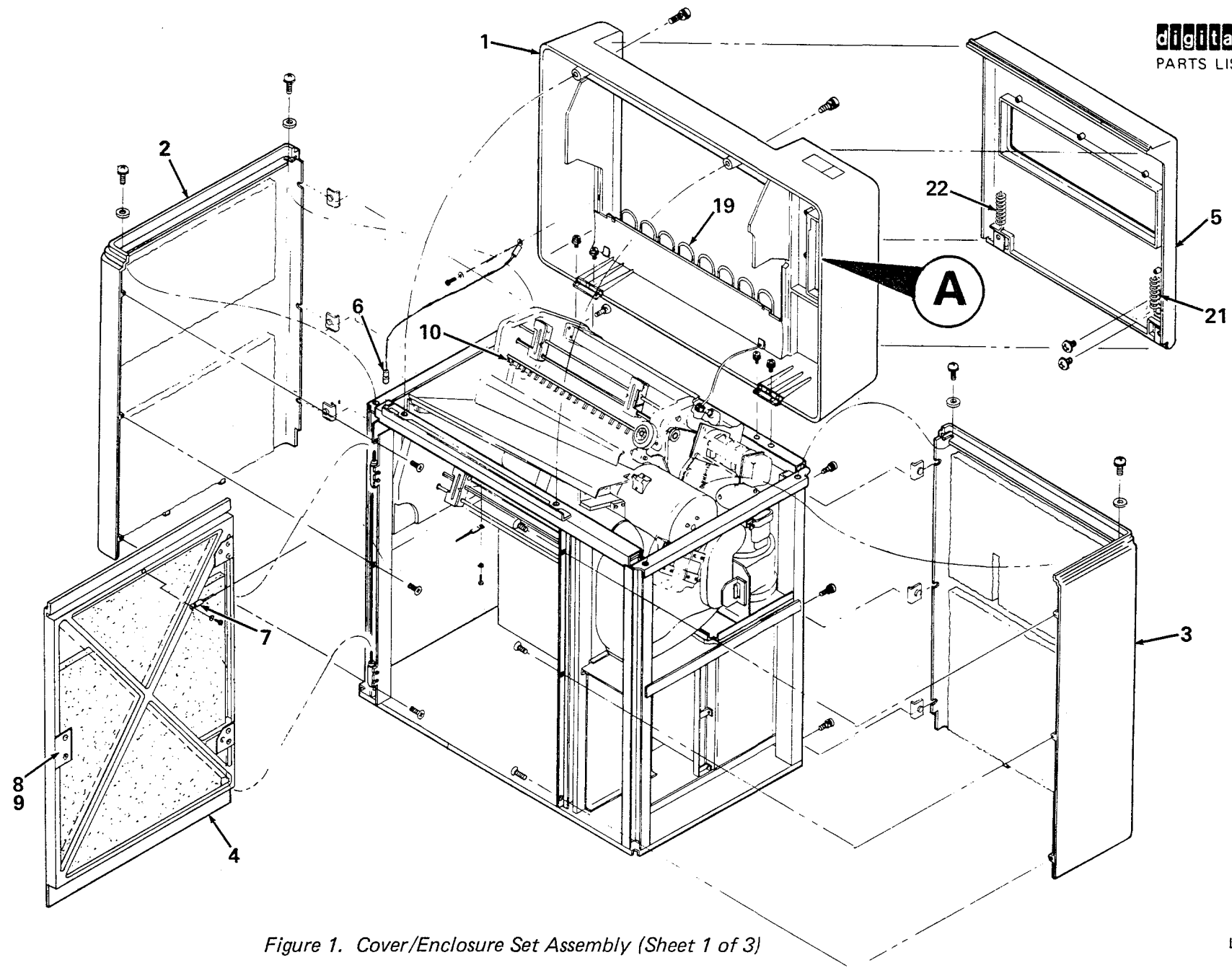
3

4

5

6

7



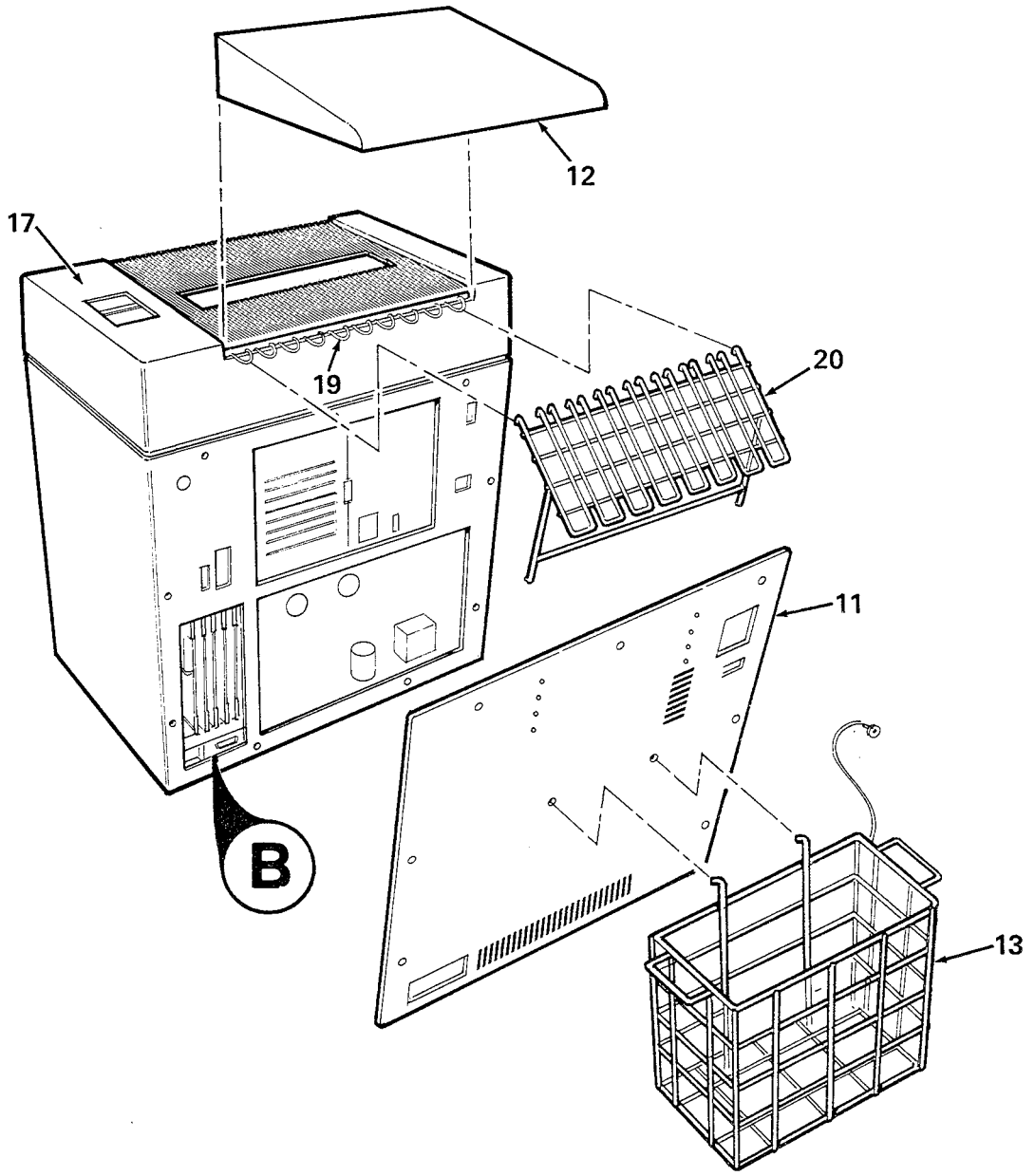
2

1

IPB-LG01/02

Figure 1. Cover/Enclosure Set Assembly (Sheet 1 of 3)

LG0-01



IPB-LG01/02

2

2

Figure 1. Cover/Enclosure Set Assembly (Sheet 2 of 3)

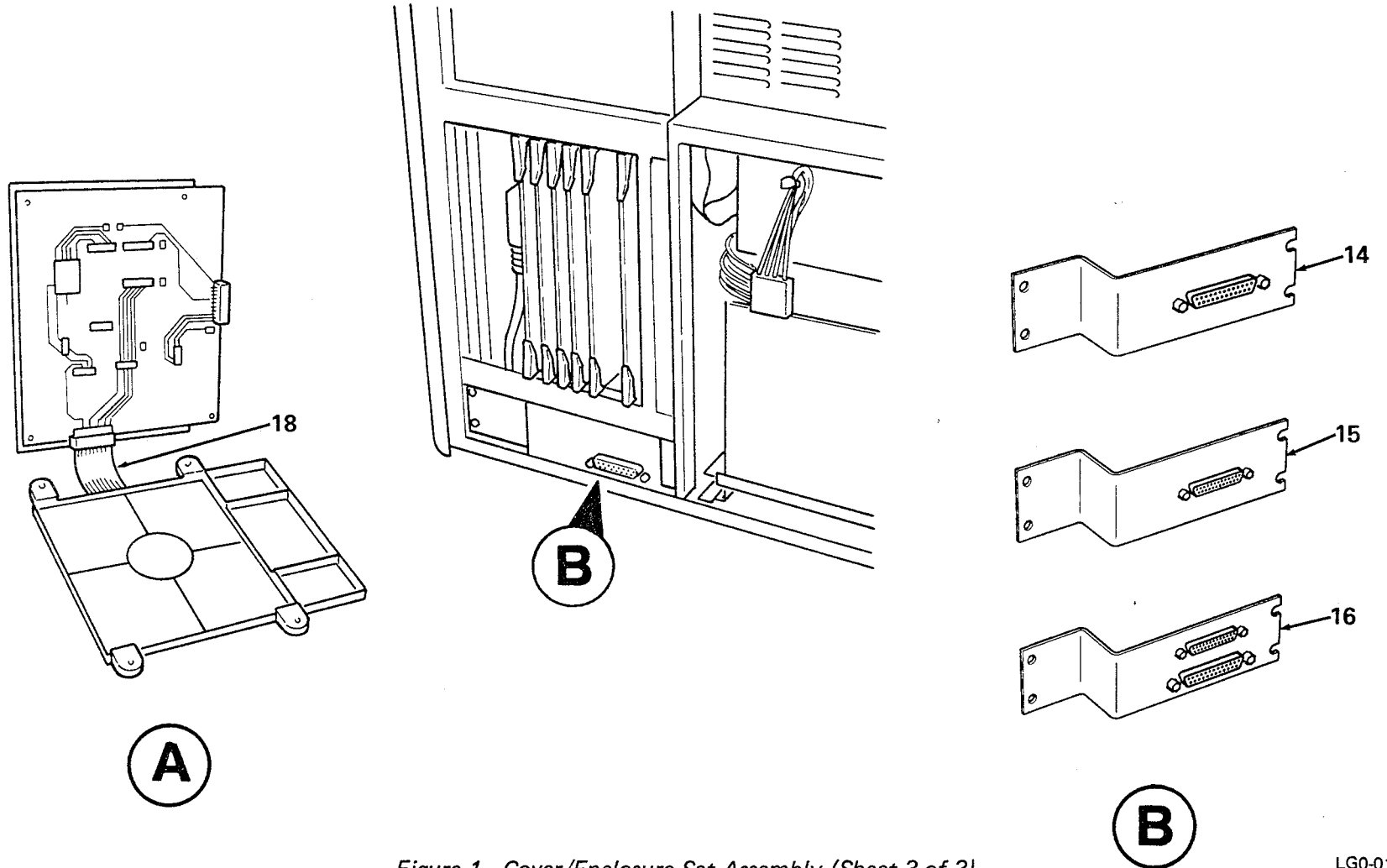
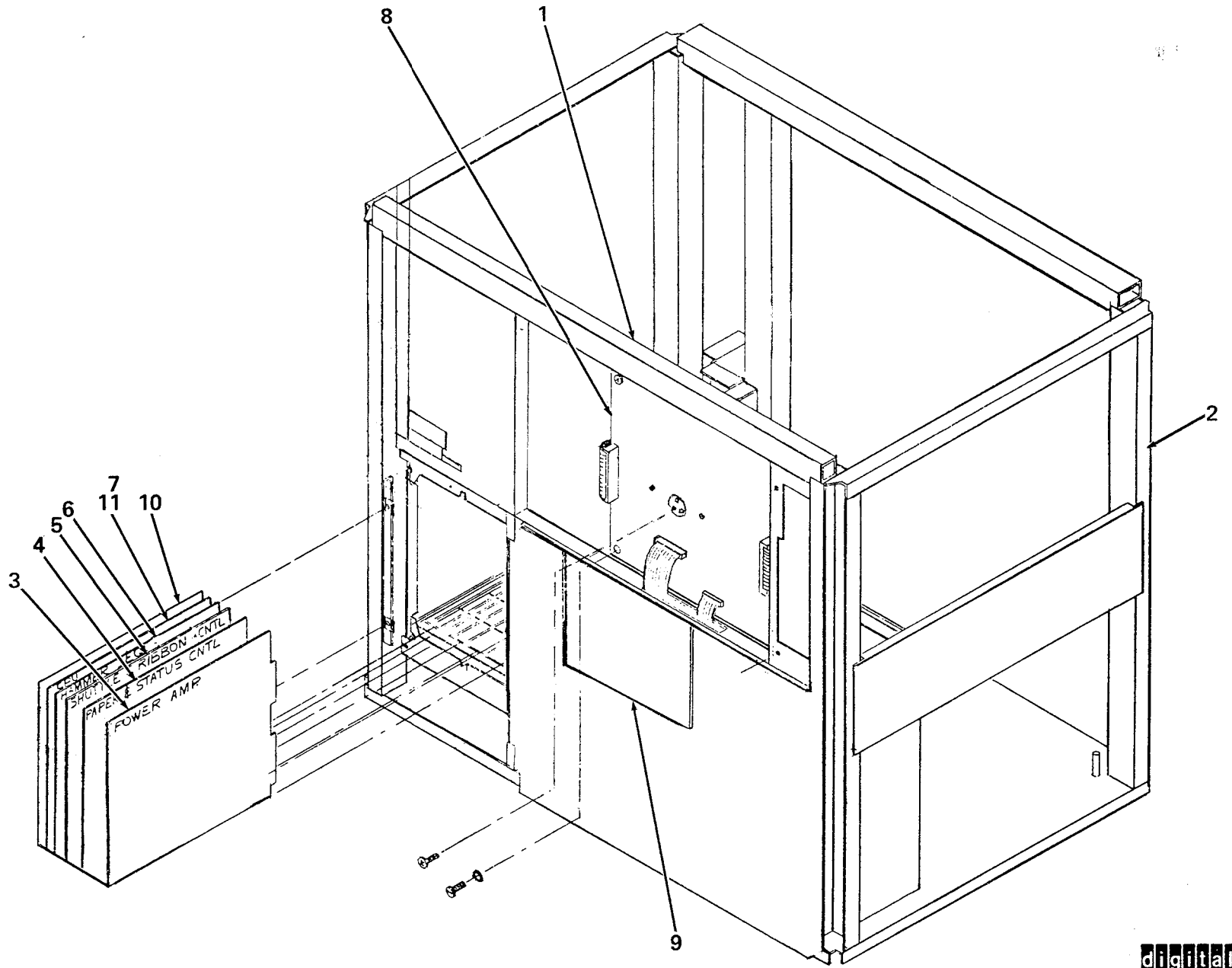


Figure 1. Cover/Enclosure Set Assembly (Sheet 3 of 3)

FIG. & ITEM NO.	DESCRIPTION	VENDOR PART NO.	DEC PART NO.	ECO CUT-IN	USED ON CODE	REF FIG NO.
1-	COVER/ENCLOSURE SET ASSEMBLY	608500-1				
	Code A – Used on Model LG01-AA Text-Only Printer, Parallel Interface W/LP11 Controller		LG01-AA		A	
	Code B – Used on Model LG01-BA Text-Only Printer, Parallel Interface W/LP11 Controller		LG01-BA		B	
	Code C – Used on Model LG01-CA Text-Only Printer, Parallel Interface W/DMF32 Connector		LG01-CA		C	
	Code D – Used on Model LG01-DA Text-Only Printer, Serial Interface W/RS232 Connector		LG01-DA		D	
	Code E – Used on Model LG02-AA Text/Graphic Printer, Serial/Parallel Interface W/LP11 Controller		LG02-AA		E	
	Code F – Used on Model LG02-BA Text/Graphic Printer, Serial/Parallel Interface W/LPV11 Controller		LG02-BA		F	
	Code G – Used on Model LG02-CA Text/Graphic Printer, Serial/Parallel Interface W/DMF32 Connector		LG02-CA		G	
	Code H – Used on Model LG02-DA Text/Graphic Printer, Serial/Parallel Interface W/RS232 Connector		LG02-DA		H	
1	*Cover Assembly	608560-115				
2	*Enclosure Assembly (L.H.)	608583-115				
3	*Enclosure Assembly (R.H.)	608584-115				
4	*Door Assembly	608896-115				
5	*Lid Assembly	608499-114				
6	*Cover Restraint Assembly	608816-1				
7	*Door Restraint Assembly	608818-1				
8	*Bracket, Door Latch	608952-1				
9	*Door Latch/Striker Assembly	402801-01				
10	*Brush, Anti-Static	608099-1				
11	*Enclosure Assembly, Rear	608117-08				
12	*Hood, Acoustic	608053-2				
13	*Paperbasket	608840-3	34-26751-01			

FIG. & ITEM NO.	DESCRIPTION	VENDOR PART NO.	DEC PART NO.	ECO CUT-IN	USED ON CODE	REF FIG NO.
1-						
14	*Cable and Bulkhead Panel Assembly (LG01-Parallel)	610199-2	29-26259-00		ABC	
15	*Cable and Bulkhead Panel Assembly (LG01-Serial)	610199-3	29-26214-00		D	
16	*Cable and Bulkhead Panel Assembly (LG02)	610199-1	29-26158-00		E-H	
17	*Control Panel Assembly	608240-3	29-26383-00			
18	*Cable, Front Panel	608118-1				
19	*Paper Guide, Upper	608776-1				
20	*Paper Guide, Lower	608775-3				
21	*Lid Support Assembly, Right	608984-1				
22	*Lid Support Assembly, Left	608984-2				
	GAUGE KIT (Not Shown)	608866-1	29-25551-00			



NOTE: REAR PANEL REMOVED

Figure 2. Basic Printer Assembly

digital
PARTS LIST

LG0-02

FIG. & ITEM NO.	DESCRIPTION	VENDOR PART NO.	DEC PART NO.	ECO CUT-IN	USED ON CODE	REF FIG NO.
2--	BASIC PRINTER ASSEMBLY (LG01) BASIC PRINTER ASSEMBLY (LG02) (See Notes 1 and 2)	608450-1 608450-2	30-26069-01 30-25434-01		A-D E-H	
1	*Print Mechanism Assembly (Not Shown)	608300-1				
2	*Frame Assembly	608800-1				
3	*Power Amp Module	608950-1T	29-25573-00			
4	*Paper/Status Control Module	608969-1T	29-25574-00			
5	*Shuttle/Ribbon Control Module	610424-21	29-25575-00			
6	*Hammer Sequencer Module	610056-1	29-25560-00			
7	*LG01 Control CPU Module	610424-31	29-25561-00		A-D	
8	*Hammer Drive Assembly Module	608278-1T	29-25556-00			
	**Fuse, Pico 2A (Not Shown)	402320-02	29-25554-00			
9	*Power Supply Module	608302-1	29-25577-00			
10	*LG01 Parallel I/O Module	610424-1	29-25569-00		ABC	
	*LG01 Serial I/O Module	610424-11	29-25564-00		D	
	*LG02 I/O PCVS (Serial/Parallel)	610040-2	29-26617-00		E-H	
11	*LG02 Control CPU Module	610424-32	29-26154-00		E-H	
	NOTE 1: Used on Codes Apply To This Figure Only.					
	NOTE 2: Rear Panel Removed on Illustration					

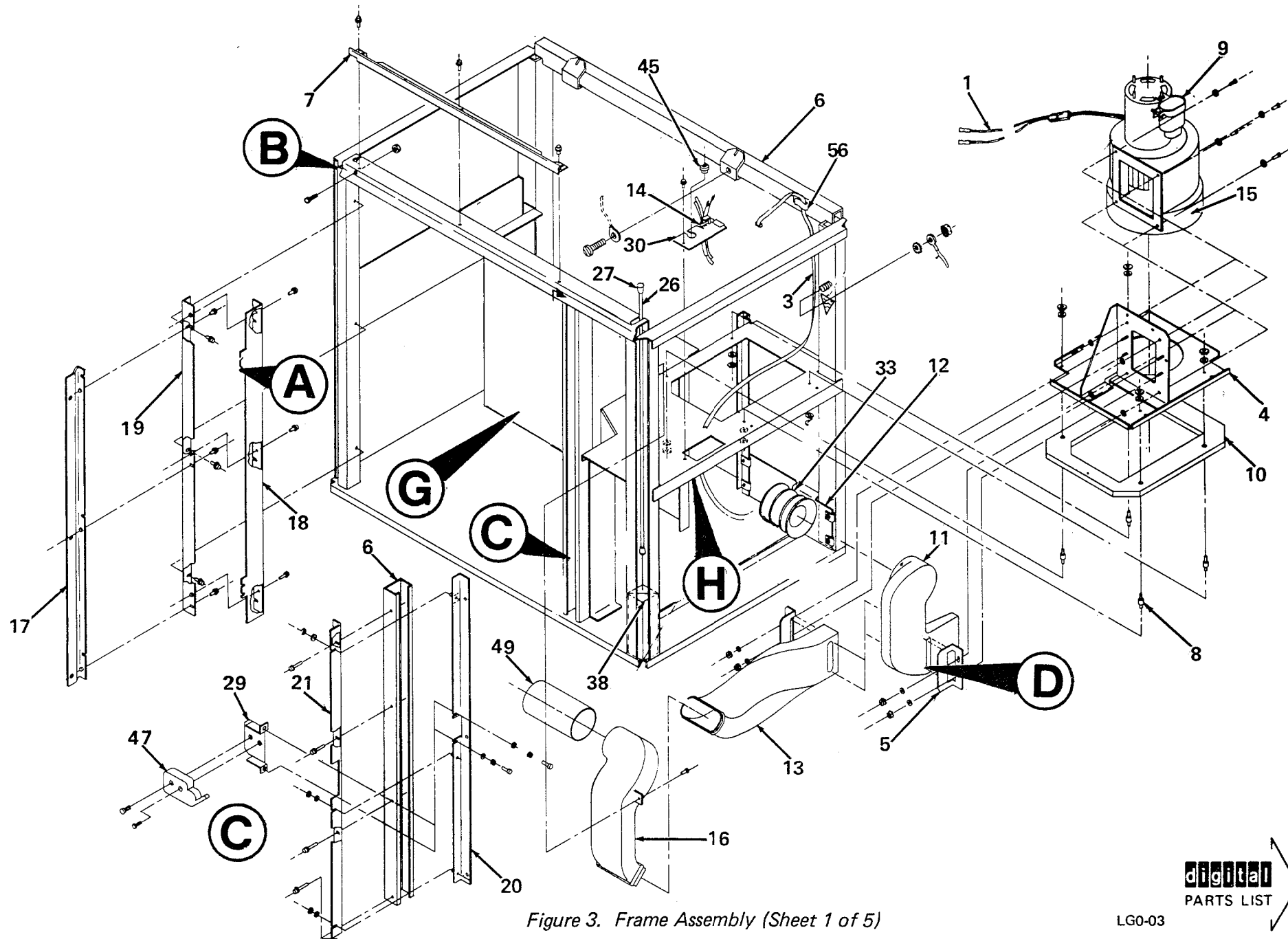


Figure 3. Frame Assembly (Sheet 1 of 5)

digital PARTS LIST

LG0-03

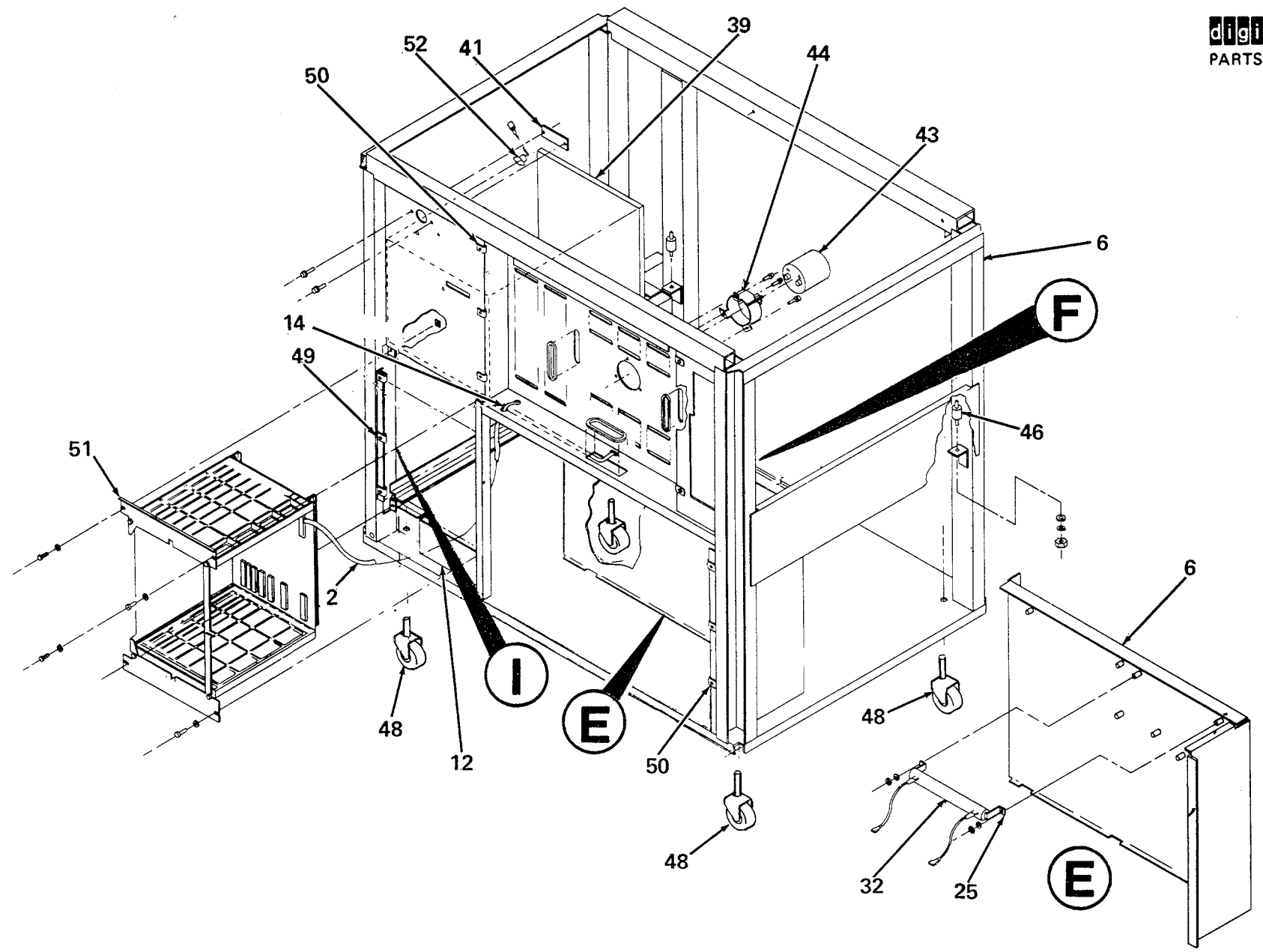


Figure 3. Frame Assembly (Sheet 2 of 5)

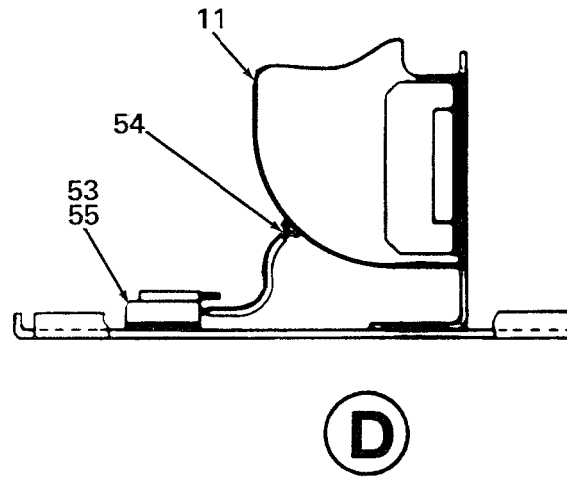
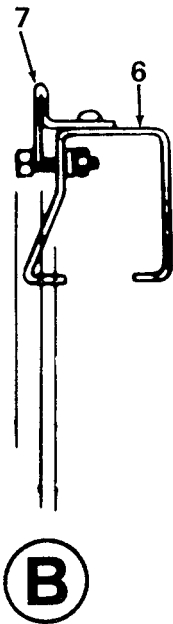
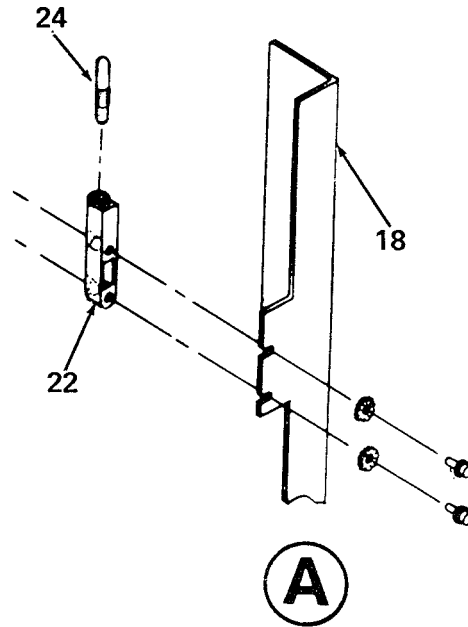


Figure 3. Frame Assembly (Sheet 3 of 5)

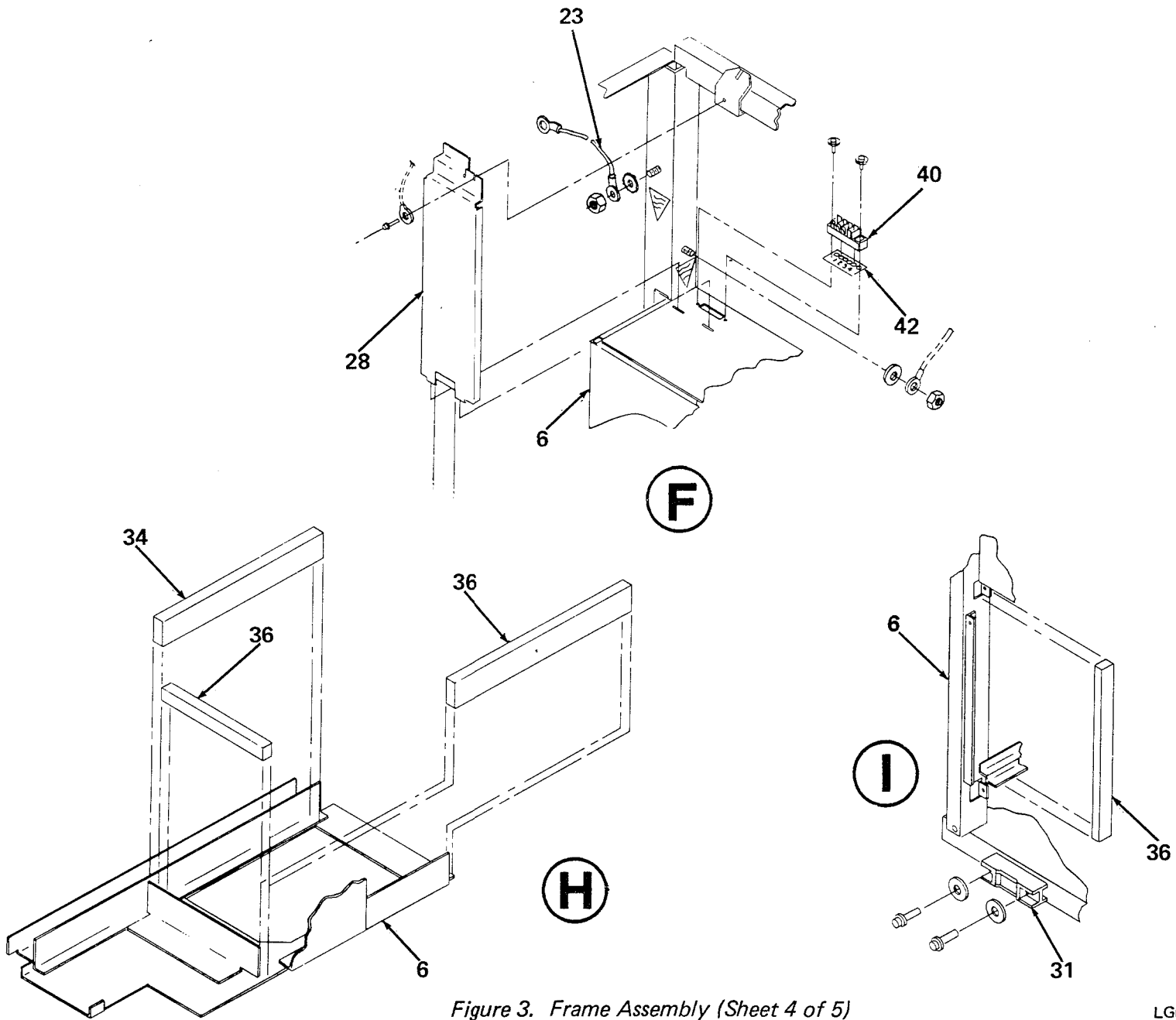
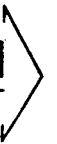


Figure 3. Frame Assembly (Sheet 4 of 5)

digital
PARTS LIST

LG0-03C



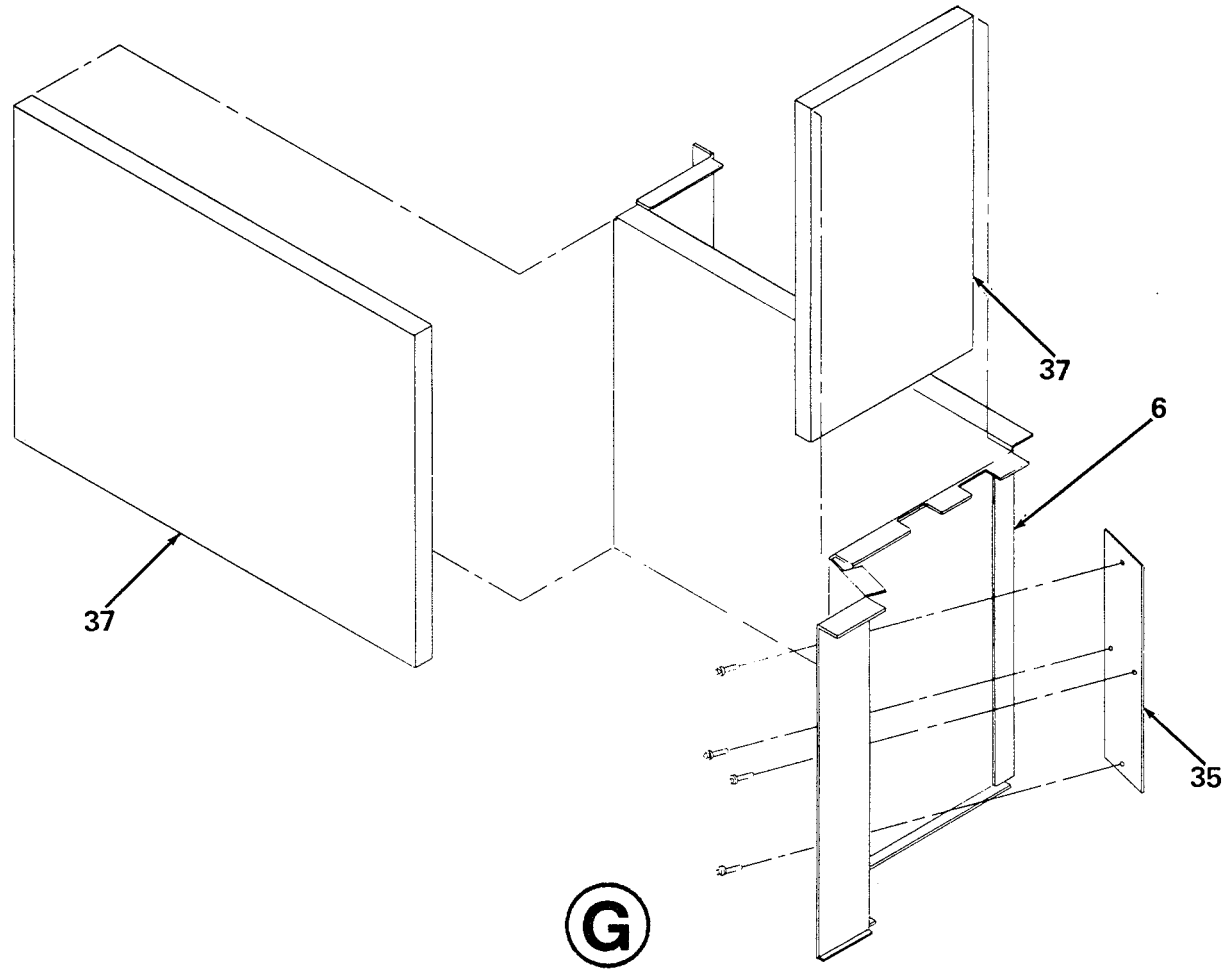


Figure 3. Frame Assembly (Sheet 5 of 5)

FIG. & ITEM NO.	DESCRIPTION	VENDOR PART NO.	DEC PART NO.	ECO CUT-IN	USED ON CODE	REF FIG NO.
3-	FRAME ASSEMBLY	608800-2				
1	*Blower Power Cable Assembly	608378-1				
2	*Flat Cable Assembly (28 in.)	608375-1				
3	*Flat Cable Assembly (42 in.)	608375-2				
4	*Support, Blower	608707-1				
5	*Bracket, Plenum Mounting	608629-1				
6	*Frame Weldment	608720-1				
7	*Support, Upper Door Seal	608710-1				
8	*Mount, Vibration Dampening	402379-03				
9	*Power Fan Assembly	608148-1/2	29-25563-00			
10	*Gasket, Blower Support	608552-1				
11	*Plenum-Blower, Linear Motor	608553-2				
12	*Plenum, Front Seal	608820-2	29-26156-00			
13	*Plenum-Blower, Hammerbank	608554-1				
14	*Tie, Cable	400341-01				
15	*Gasket, Blower	608489-1				
16	*Duct, Elbow	608561-1				
17	*Left Panel Bracket Assembly	608719-1				
18	*Bracket, Door Hinge	608563-1				
19	*Left Front Mounting Bracket Assembly	608576-1				
20	*Right Panel Bracket Assembly	608567-1				
21	*Adjusting Right Panel Bracket Assembly	608568-1				
22	*Hinge, Door	608569-1				
23	*Strap, Grounding	608376-1				
24	*Pin, Hinge	608570-1				
25	*Bracket, Mounting	401506-03				
26	*Stay Arm, Cover	608705-1				
27	*Bumper	401646-02				
28	*Cover, Circuit Breaker	608587-1				
29	*Non-Magnetic Latch Mounting Bracket Assembly	608952-1				
30	*Bracket, Strain Relief	608604-1				
31	*Retainer, Cable	608125-1				
32	*Power Supply Bleeder Assembly	608647-1				
33	*Bellows	608630-1				
34	*Foam, Left Card Cage	608634-1				
35	*Cover, Right Panel	608755-1				
36	*Foam, Right Card Cage	608635-1				
37	*Foam, Paper Enclosure	608639-1				
38	*Block, Stay Arm	608881-1				
39	*Foam, Hammer Driver Panel	608487-1				
40	*Terminal Strip, AC Distribution	402441-01				
41	*Retainer, Audio Alarm	608317-1				
42	*Marker Strip, Terminal	402441-50				
43	*Capacitor, 6000 MFD, 100 V	402349-01				
44	*Clamp, Capacitor	400292-02				

FIG. & ITEM NO.	DESCRIPTION	VENDOR PART NO.	DEC PART NO.	ECO CUT-IN	USED ON CODE	REF FIG NO.
3-						
45	*Cable Strain Relief	400065-04				
46	*Mount, Vibration Dampening	402379-39				
47	*Latch, Non-Magnetic, Push	402801-01				
48	*Caster Kit	608599-1	29-26227-00			
49	*Tubing, Plenum	608624-1				
50	*Receptacle, Clip-On, No. 9	402028-02				
51	*Card Cage Assembly	608258-1				
52	*Sonalert Assembly	608678-1				
53	*Pad-Adhesive, Switch Mount	608996-1				
54	*Fitting, Barbed	402863-01				
55	*Switch, Air Sensor	402861-01	29-25558-00			
56	*Clamp, Cable, Adhesive Backed	401628-02				

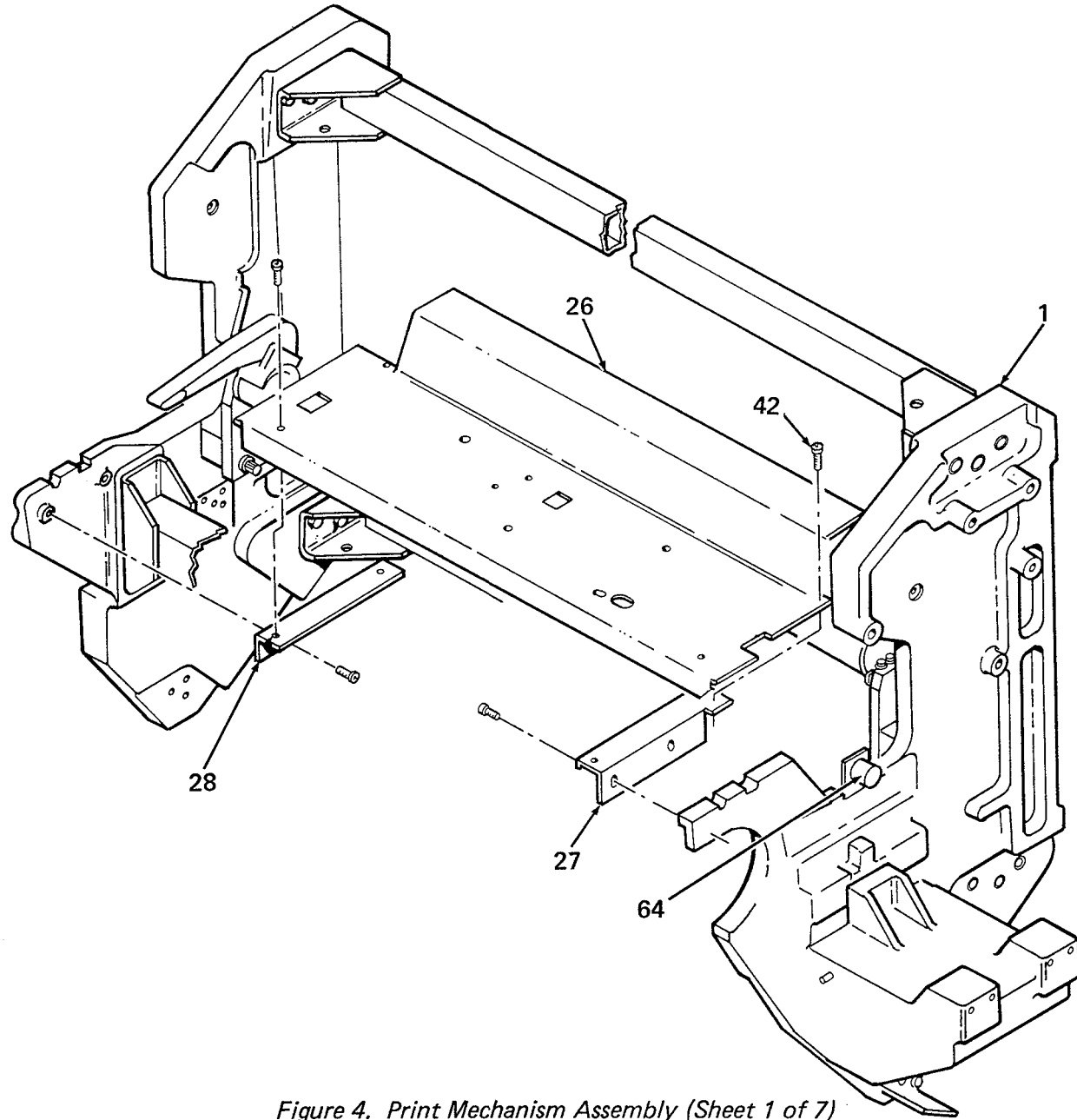


Figure 4. Print Mechanism Assembly (Sheet 1 of 7)

LG0-04



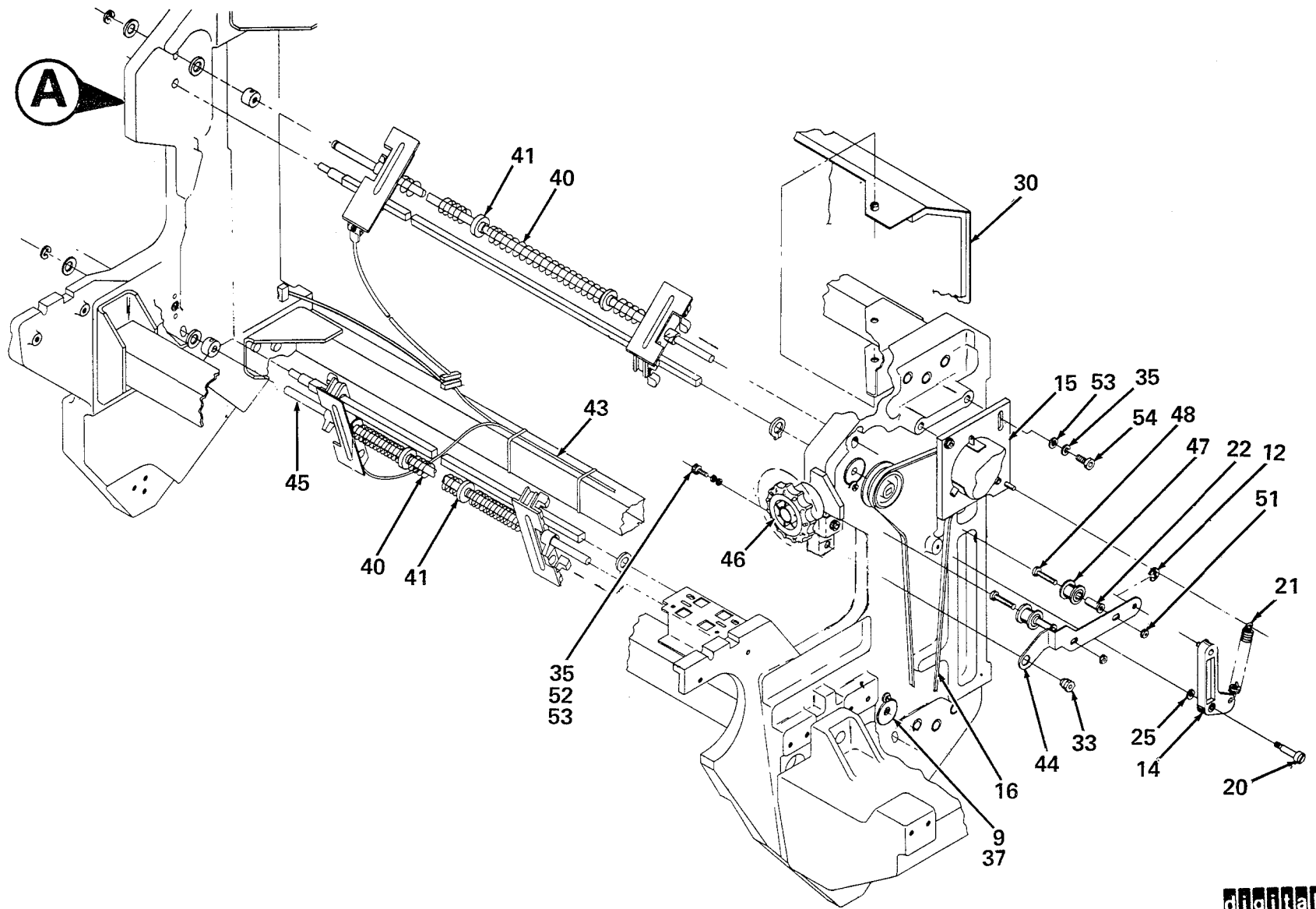


Figure 4. Print Mechanism Assembly (Sheet 2 of 7)

digital
PARTS LIST

LG0-04A

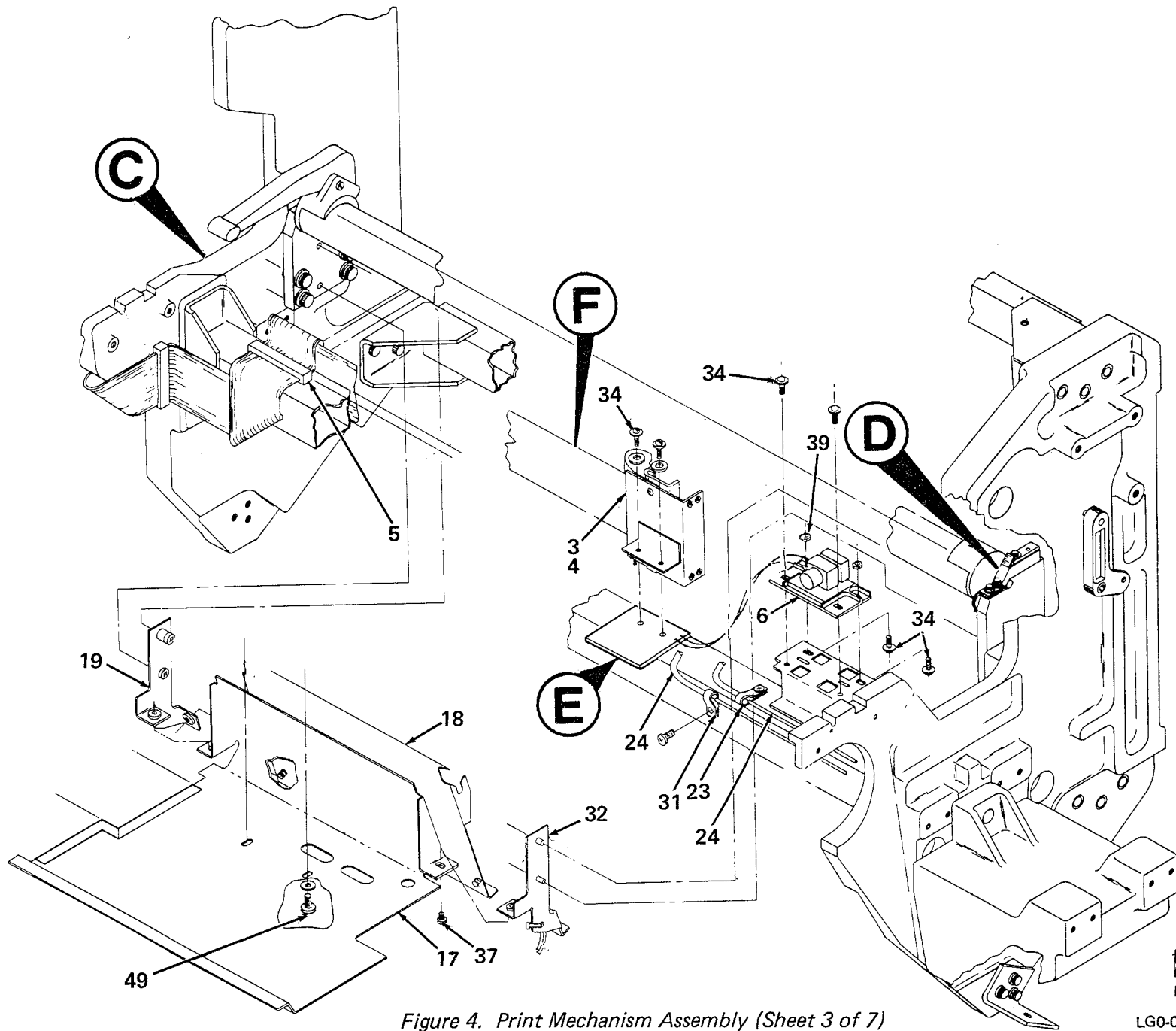


Figure 4. Print Mechanism Assembly (Sheet 3 of 7)

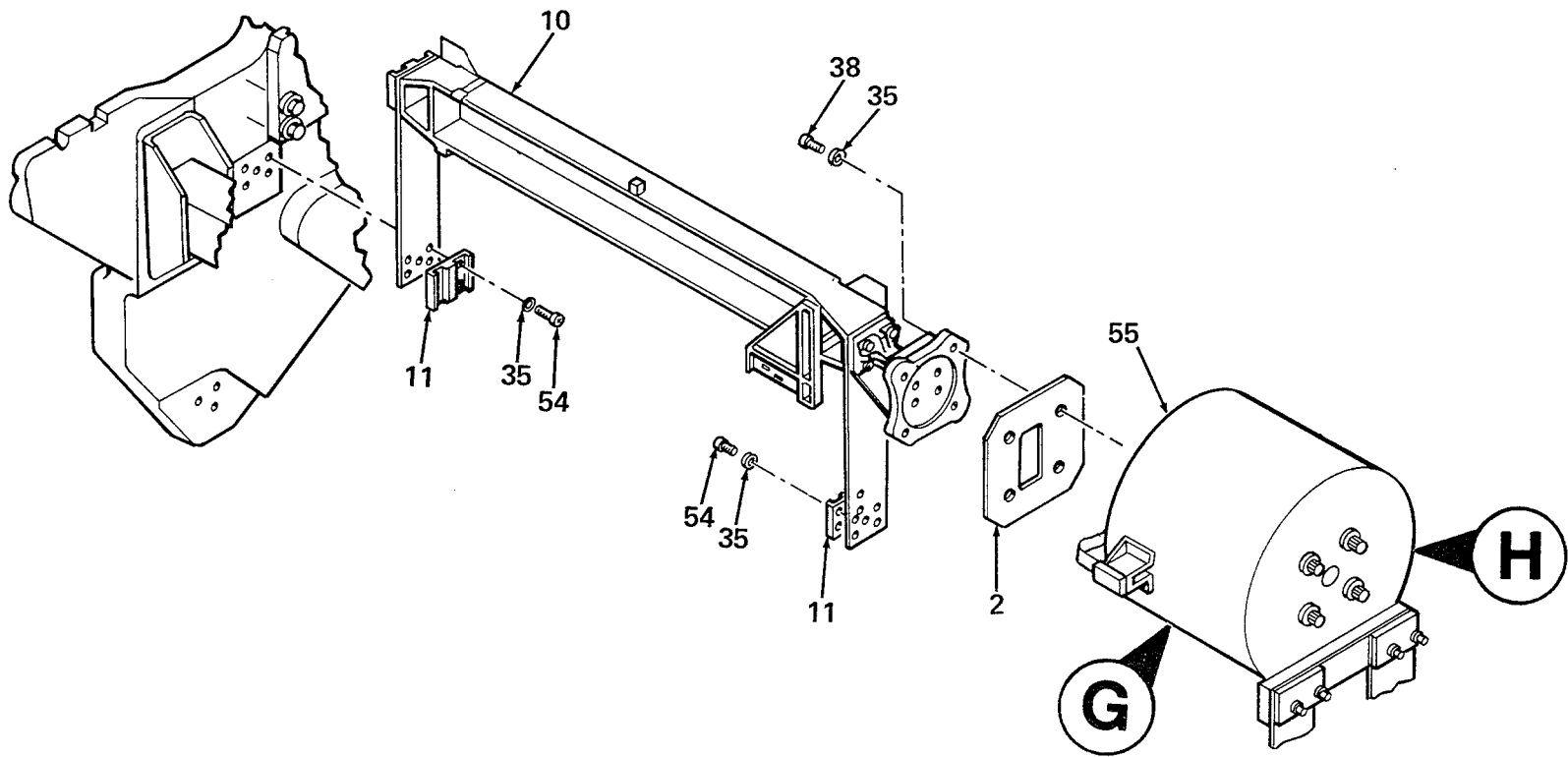


Figure 4. Print Mechanism Assembly (Sheet 4 of 7)

LG0-04C



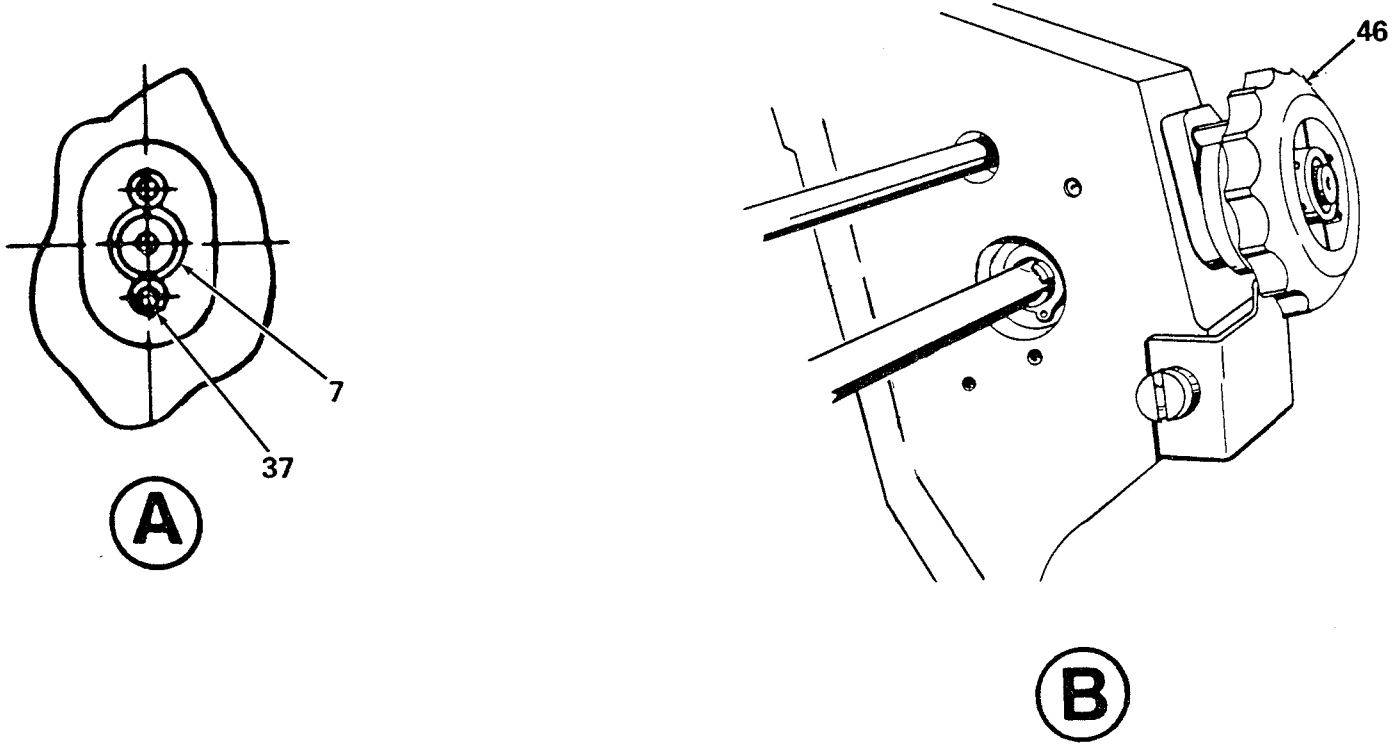


Figure 4. Print Mechanism Assembly (Sheet 5 of 7)

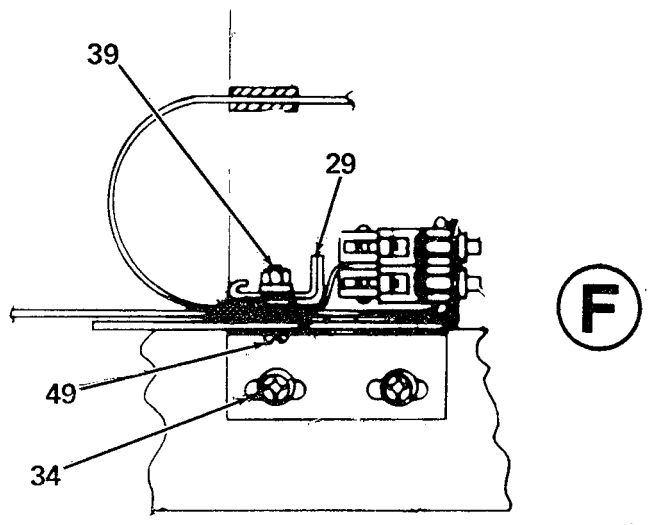
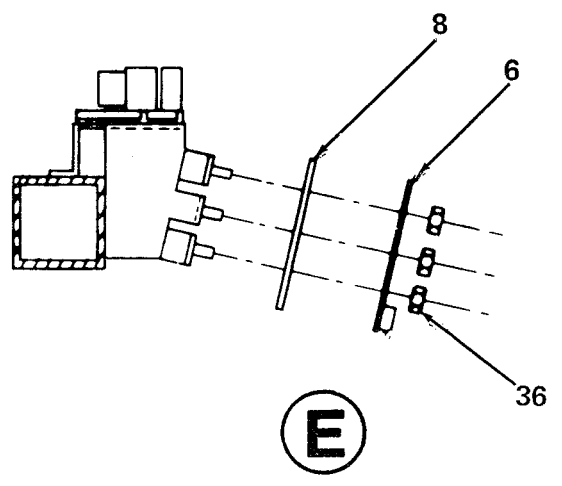
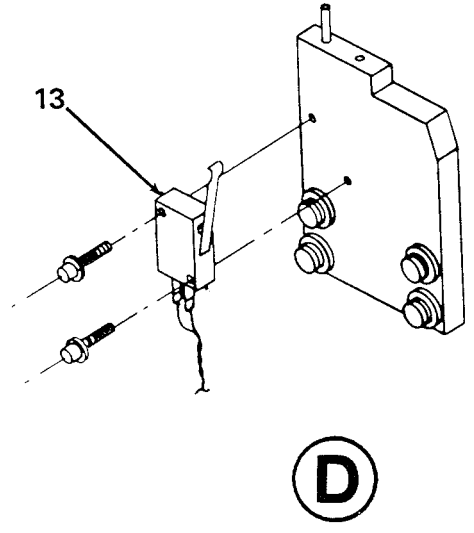
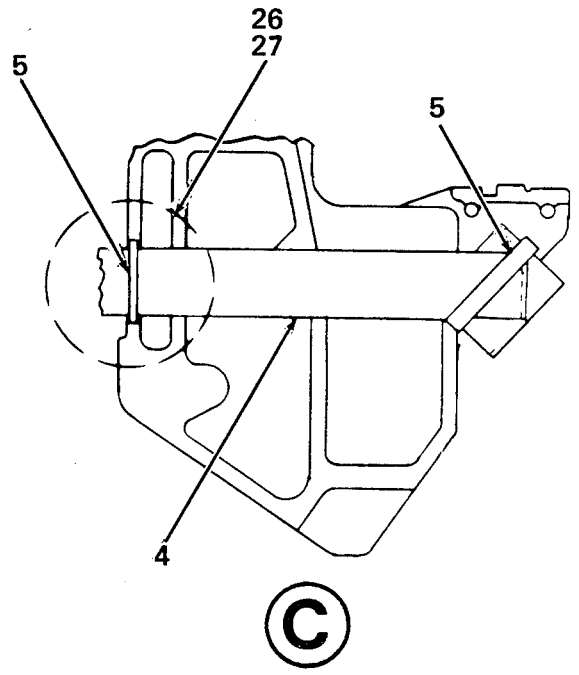


Figure 4. Print Mechanism Assembly (Sheet 6 of 7)

LG0-04E

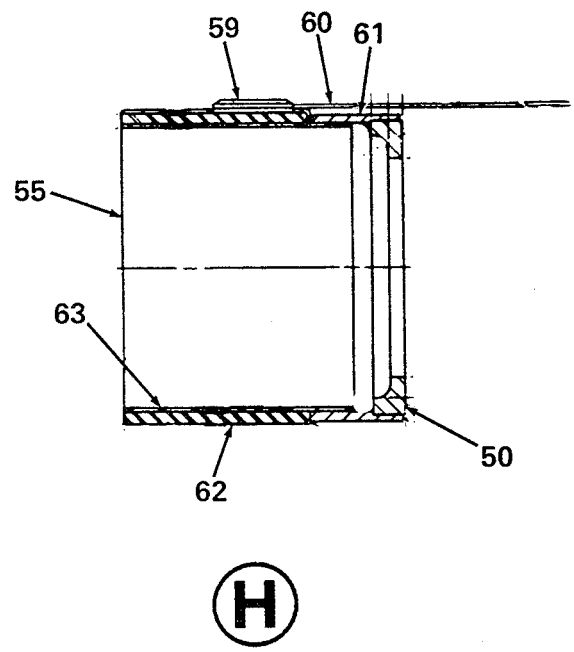
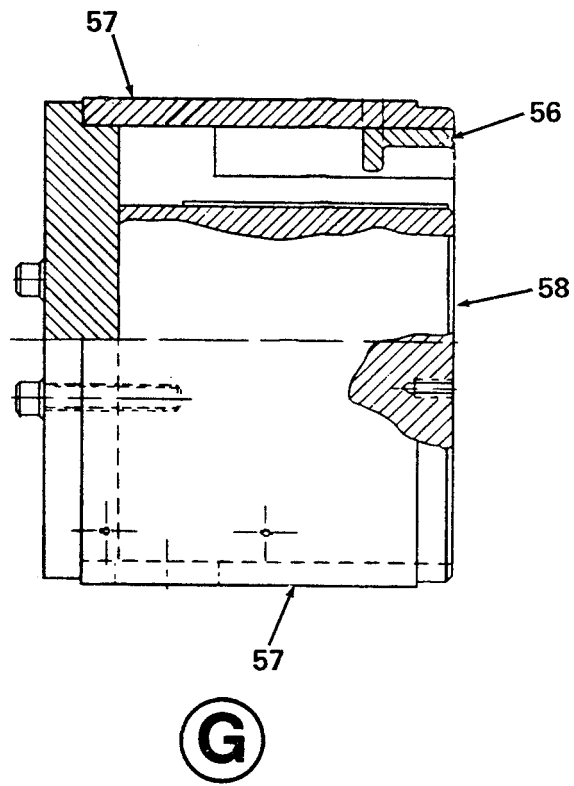


Figure 4. Print Mechanism Assembly (Sheet 7 of 7)

FIG. & ITEM NO.	DESCRIPTION	VENDOR PART NO.	DEC PART NO.	ECO CUT-IN	USED ON CODE	REF FIG NO.
4-	PRINT MECHANISM ASSEMBLY	608300-1				
1	*Print Mechanism Frame Assembly	608380-1				
2	*Yoke Plate Shuttle	608897-1				
3	*Clamp Assembly, Strain Relief	608930-1				
4	*Hammer Drive Cable and Bracket Assembly	608377-24				
5	*Cable Clamp, Flat	402429-01				
6	*Position Sensor Assembly	608393-1	29-25559-00			
7	*Single Flanged Ball Bearing	401030-19				
8	*Insulator, PCB Sensor	608436-1				
9	*Ball Bearing	401867-03				
10	*Hammerbank/Yoke Assembly	608662-1	29-25553-00			
11	*Flexure Clamp Assembly	608409-1				
12	*Bowed "E" Ring	402670-08				
13	*Platen Open Switch	402336-01	29-25572-00			
14	*Bogie Arm Assembly	608878-1				
15	*Paper Drive Motor Assembly	608618-2	29-25555-00			
16	*Belt, Paper Drive	402308-01	29-25570-00			
17	*Front Paper Guide Assembly	608325-1				
18	*Paper Guide	608326-1				
19	*Paper Guide Bracket Assembly (L.H.)	608327-1				
20	*Screw, Shoulder No. 10-32 x 1/2	401074-22				
21	*Extension Spring	400586-08				
22	*Idler Shaft	608770-1				
23	*Clamp, Cable	400056-07				
24	*Shielded Cable Assembly	608457-3				
25	*Washer, Nylon	400487-21				
26	*Ribbon Cartridge Sprocket Assembly	608573-1				
27	*Bracket, Ribbon Sprocket (R.H.)	608591-1				
28	*Bracket, Ribbon Sprocket (L.H.)	608592-1				
29	*Foam Strip	401977-24				
30	*Sound Shield Assembly	608650-1				
31	*Clamp, Grounding	608718-2				
32	*Paper Guide Bracket Assembly (R.H.)	608327-2				
33	*Paper Tension Eccentric	608873-1				
34	*Screw, Sems No. 6-32 x 3/8	402524-22				
35	*Washer, Split Lock No. 10	400215-11				
36	*Nut, Hex W/Washer	400783-05				
37	*Screw, Sems Pan Hd No. 8-32 x 3/8	402524-42				
38	*Cap Screw, Socket Hd No. 10-32 x 1/2	400866-05				
39	*Nut, Hex No. 6-32	400726-02				
40	*Spring, Idler	602631-1				
41	*Idler	605823-1				
42	*Screw, Pan Hd No. 10-32 x 3/8	400627-324				
43	*Status Cable Assembly	608455-1				
44	*Paper Tension Link	608875-1				
45	*Paper Tension Actuator Arm	608872-1				
46	*Thumbwheel, Paper Tension	608329-1				
47	*Idler Belt Assembly	608602-1				
48	*Screw, Self-Locking No. 8-32 x 7/8	400017-39				
49	*Screw, Sems Pan Hd No. 6-32 x 1/2	402524-23				

FIG. & ITEM NO.	DESCRIPTION	VENDOR PART NO.	DEC PART NO.	ECO CUT-IN	USED ON CODE	REF FIG NO.
4-						
50	*Cap, End	608382-12				
51	*Nut, Kep No. 8-32	400783-07				
52	*Cap Screw, Socket Hd No. 10-32 x 7/16	400866-04				
53	*Washer, Flat No. 10	400216-11				
54	*Cap Screw, Socket Hd No. 10-32 x 5/8	400866-07				
55	*Shuttle Motor Bobbin Assembly	608382-11	29-25552-00			
56	*Plug, Plastic	608382-18				
57	*Housing-Stator	608382-19				
58	*Stator Assembly	608382-10				
59	*Connector	608382-16				
60	*Lead Wire	608382-17				
61	*Sleeve	608382-13				
62	*Wire	608382-14				
63	*Sleeve, Inner	608382-15				
64	*Bumper, Rubber	400833-02				

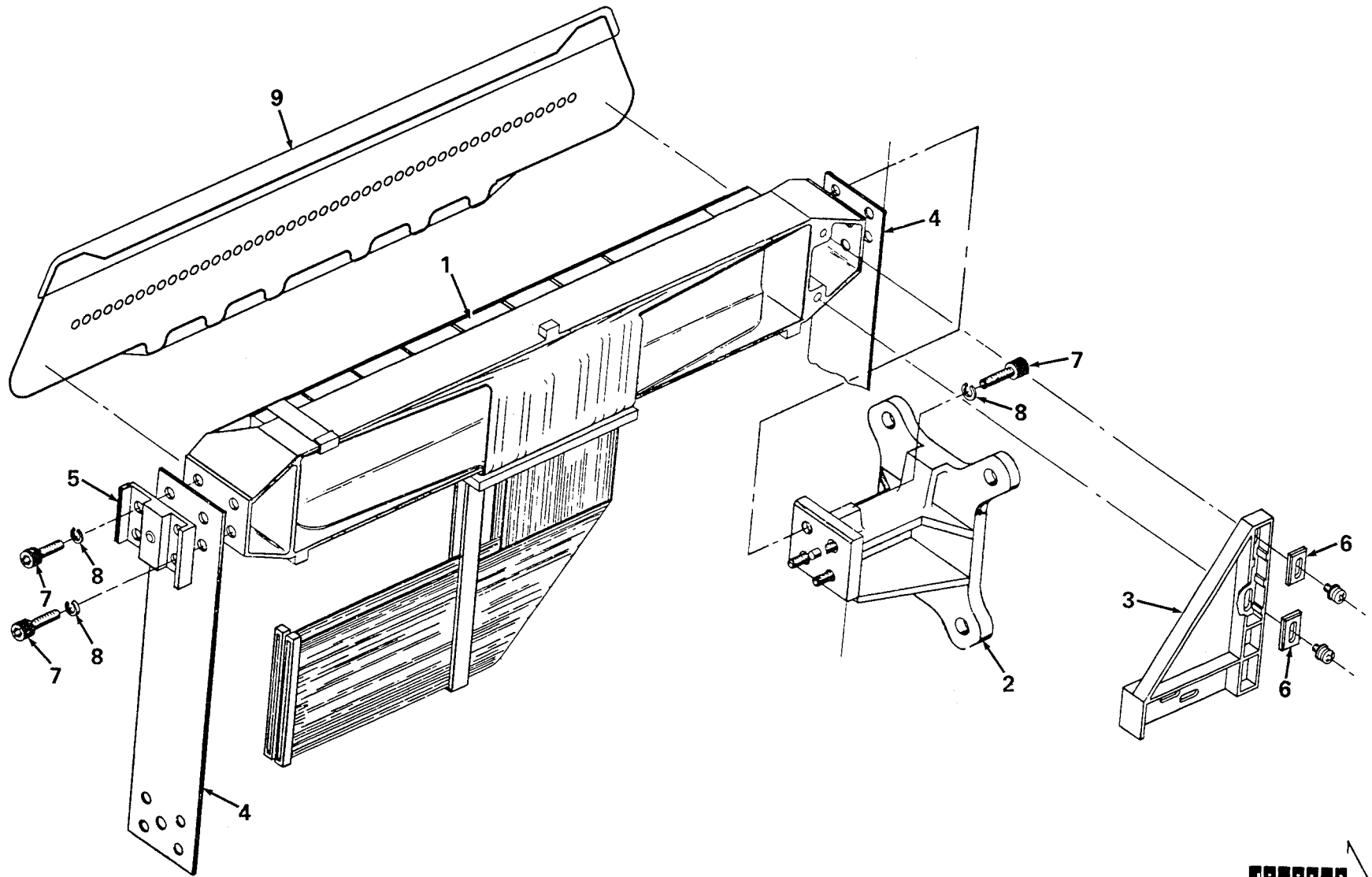


Figure 5. Hammerbank/Yoke Assembly

LG0-05



FIG. & ITEM NO.	DESCRIPTION	VENDOR PART NO.	DEC PART NO.	ECO CUT-IN	USED ON CODE	REF FIG NO.
5-	HAMMERBANK/YOKE ASSEMBLY	608662-1	29-25553-00			
1	*Hammerbank Assembly	608870-1				
2	*Yoke Assembly	610377-2				
3	*Vane, Position Sensor	608411-2				
4	*Flexure, Hammerbank Support	608406-2				
5	*Flexure Clamp Assembly	608409-1				
6	*Plate, Vane Bearing	610381-1				
7	*Screw, Socket Hd No. 10-32 x 9/16	400866-06				
8	*Washer, Split Lock No. 10	400215-11				
9	*Ribbon Shield	608833-2	29-25585-00			

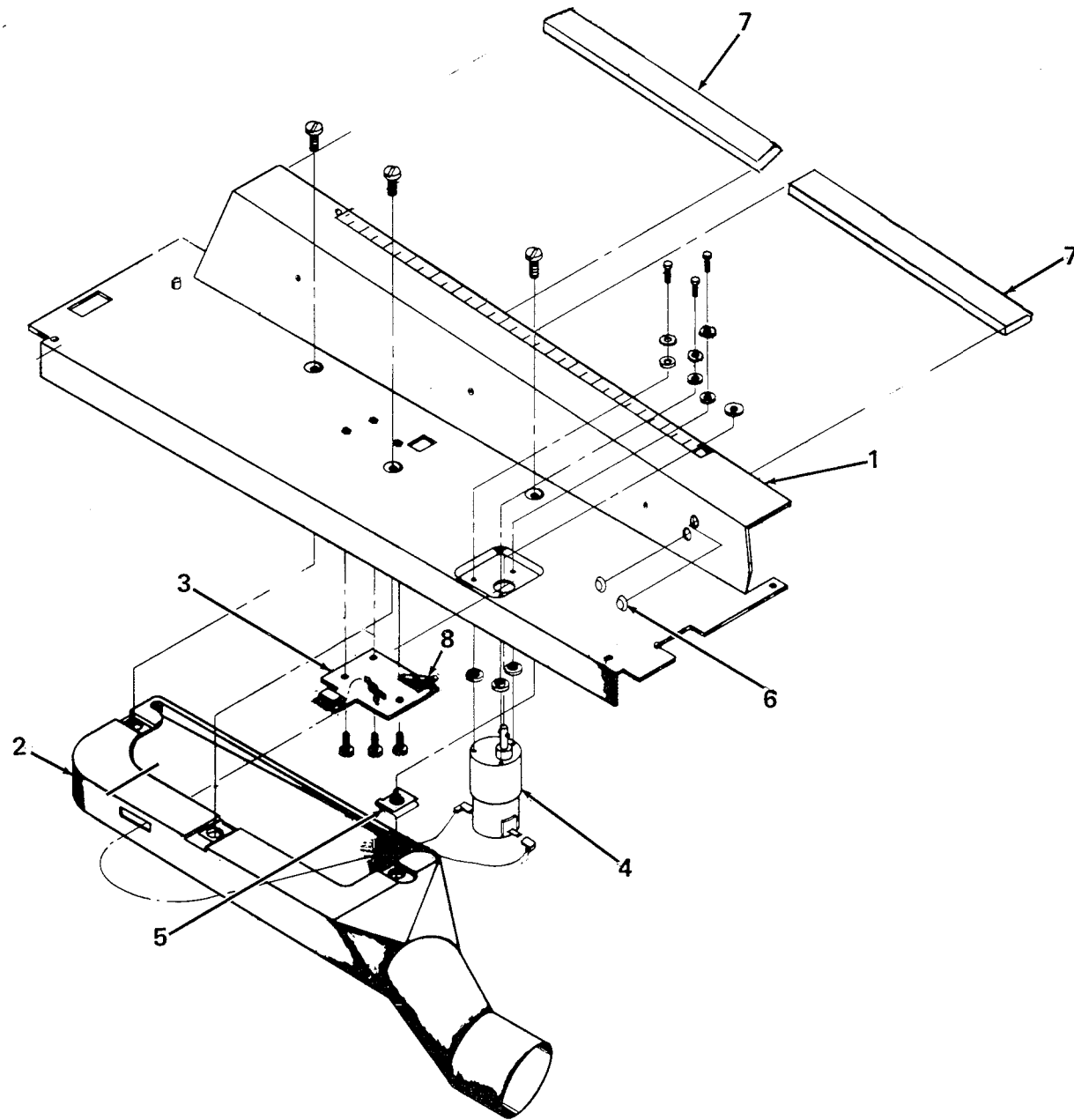


Figure 6. Cartridge Support Assembly

LG0-06



FIG. & ITEM NO.	DESCRIPTION	VENDOR PART NO.	DEC PART NO.	ECO CUT-IN	USED ON CODE	REF FIG NO.
6-	CARTRIDGE SUPPORT ASSEMBLY	608573-1				
1	*Support, Ribbon Cartridge	608155-1				
2	*Plenum, Cartridge	608156-1				
3	*Ribbon Platform Switch Assembly	608297-3				
4	*Motor, Ribbon Drive	402580-01	29-25562-00			
5	*Clip, Tinnerman	400511-02				
6	*Plug, Flush Head	401424-02				
7	*Foam	608541-11				
8	*Ribbon Platform Switch	402681-01				

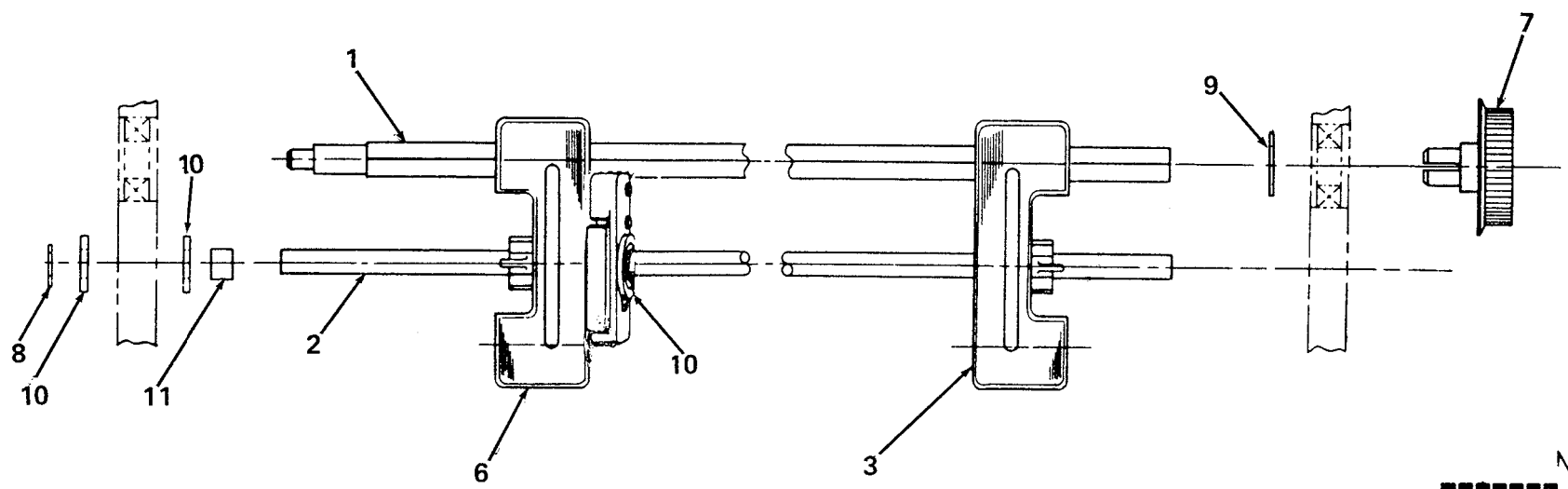
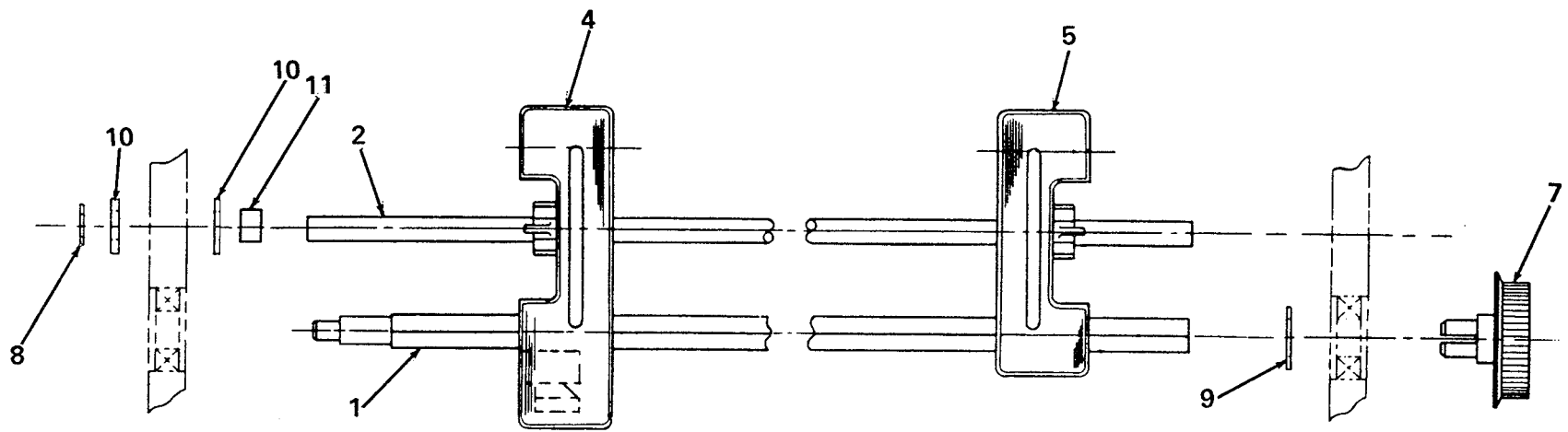


Figure 7. Tractor/Driveshaft Assembly

FIG. & ITEM NO.	DESCRIPTION	VENDOR PART NO.	DEC PART NO.	ECO CUT-IN	USED ON CODE	REF FIG NO.
7-	TRACTOR/DRIVESHAFT ASSEMBLY	608782-1				
1	*Shaft, Tractor Drive	608607-1				
2	*Shaft, Tractor Support	608606-1				
3	*Paper Drive Tractor, (Lower R.H.)	610430-4	29-25565-00			
4	*Paper Drive Tractor, (Upper L.H.)	610430-1	29-25566-00			
5	*Paper Drive Tractor, (Upper R.H.)	610430-2	29-25567-00			
6	*Paper Drive Tractor, W/Paper Out Switch (Lower L.H.)	610430-3	29-25568-00			
7	*Pulley, Driveshaft	608306-1				
8	*"E" Ring	400260-18				
9	*Grip Ring	400641-18				
10	*Washer, Nylon	400326-08				
11	*Collar, Shaft	402572-01				
	TRACTOR KIT (Upper Pair) (Items 4 and 5)	610429-3	29-26394-00			
	TRACTOR KIT (Lower Pair) (Items 3 and 6)	610429-4	29-26395-00			

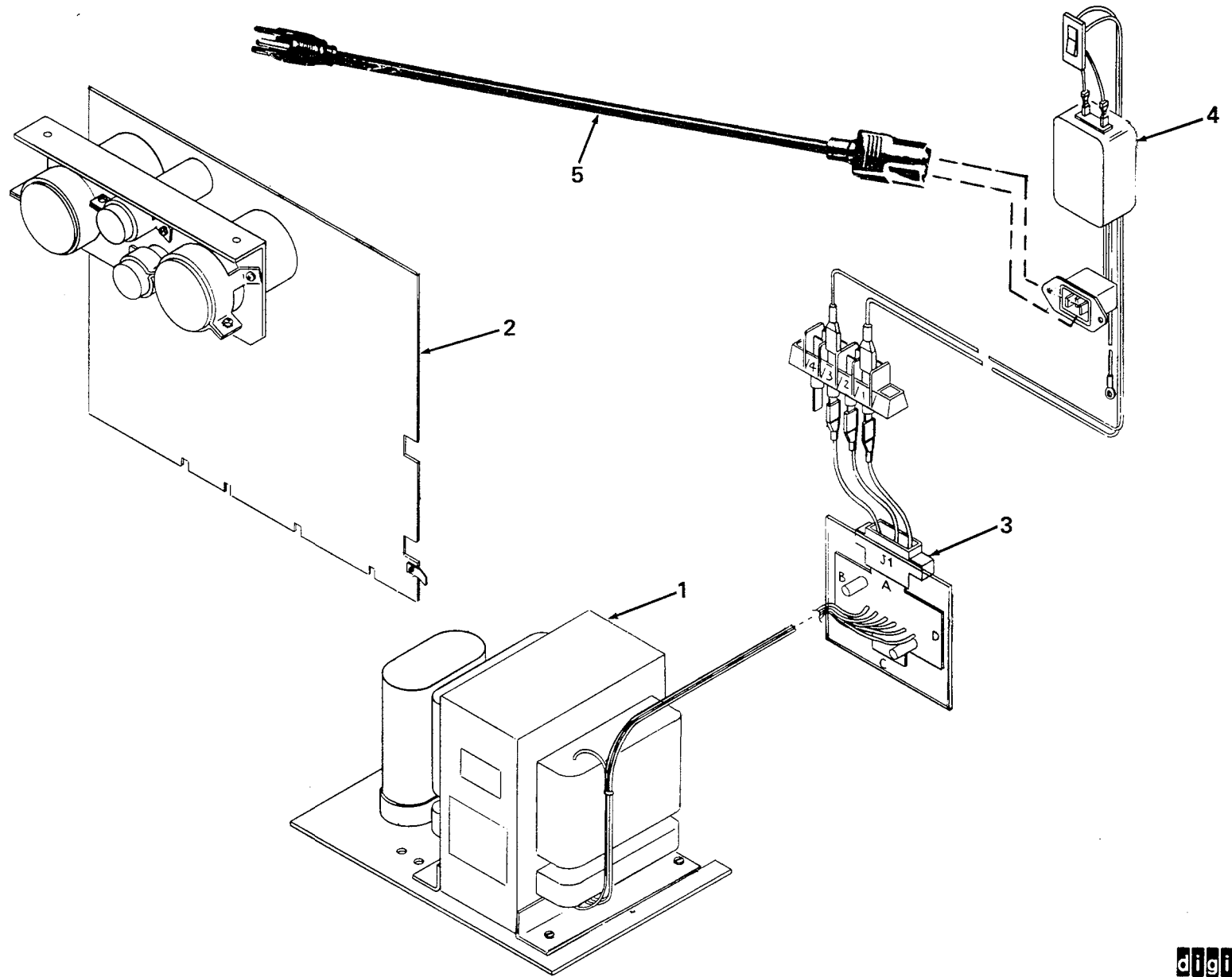
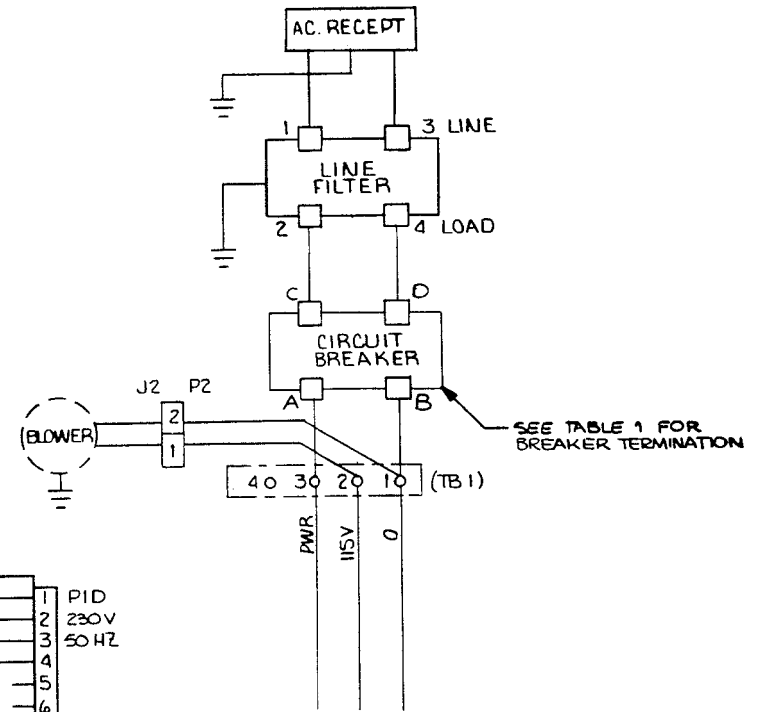
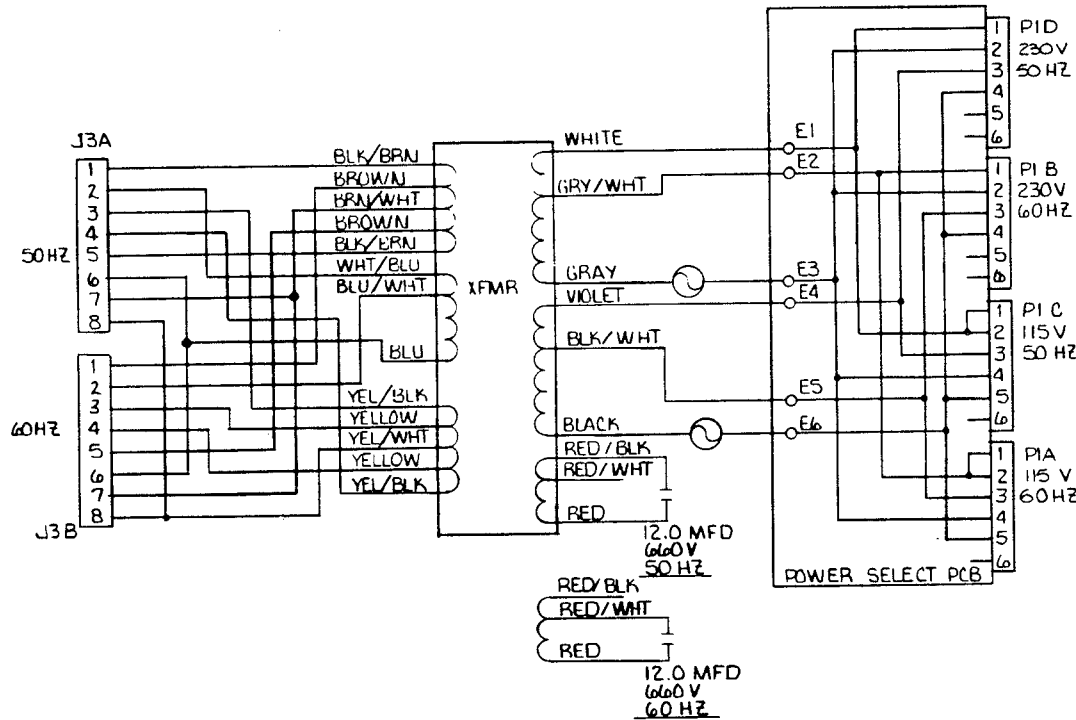


Figure 8. Universal Power Supply Assembly (Sheet 1 of 3)

SYSTEM CONFIG. CHART				
CONFIG.	INPUT PWR	J1	RES. CAP	P3
- 1	115V, 60HZ	PI-A	RED+RED/WHT	J3B (60HZ)
- 2	230V, 60HZ	PI-B	RED+RED/WHT	J3B (60HZ)
- 3	115V, 50HZ	PI-C	RED+RED/BLK	J3A (50HZ)
- 4	230V, 50HZ	PI-D	RED+RED/BLK	J3A (50HZ)



CABLE TERMINATION	6A BREAKER CONNECTION	10A BREAKER CONNECTION
CBA	TERM 1	TERM 2
CBB	TERM 3	TERM 4
CBC	TERM 2	TERM 1
CBD	TERM 4	TERM 3

LG0-08A



Figure 8. Universal Power Supply Assembly (Sheet 2 of 3)

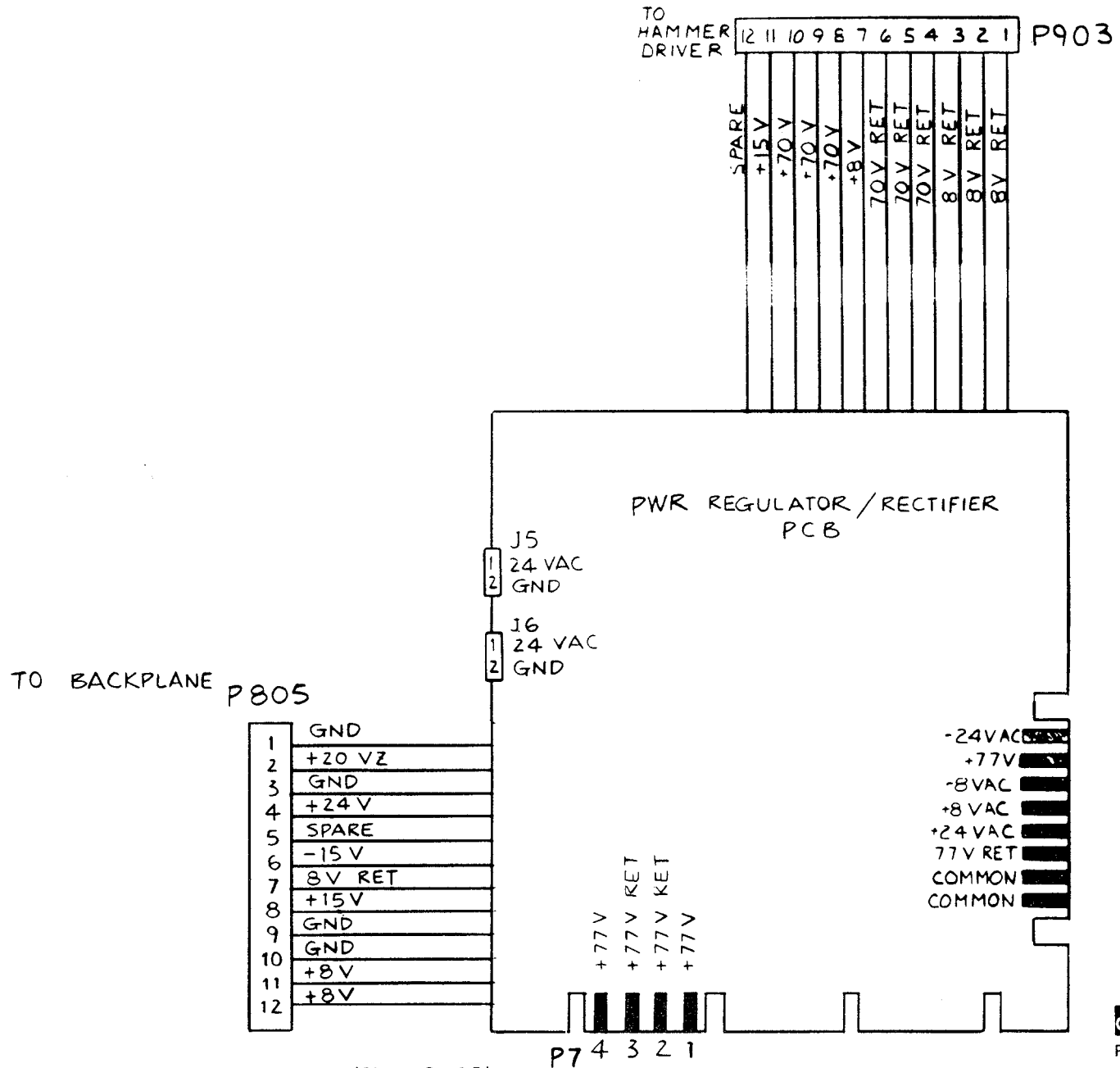


Figure 8. Universal Power Supply Assembly (Sheet 3 of 3)

LG0-08B



FIG. & ITEM NO.	DESCRIPTION	VENDOR PART NO.	DEC PART NO.	ECO CUT-IN	USED ON CODE	REF FIG NO.
8-	UNIVERSAL POWER SUPPLY ASSEMBLY 115V 60Hz	608048-1				
	UNIVERSAL POWER SUPPLY ASSEMBLY 230V 60Hz	608048-2				
	UNIVERSAL POWER SUPPLY ASSEMBLY 115V 50Hz	608048-3				
	UNIVERSAL POWER SUPPLY ASSEMBLY 230V 50Hz	608048-4				
1	*Power Supply Transformer Assembly	608303-3				
2	*Power Supply/Circuit Board Assembly	608302-1	29-25577-00			
3	*Power Distribution Cable Assembly	608945-1				
4	*AC Power Input Assembly	608073-1				
5	*Power Cord (US)	402356-03	29-26226-00			

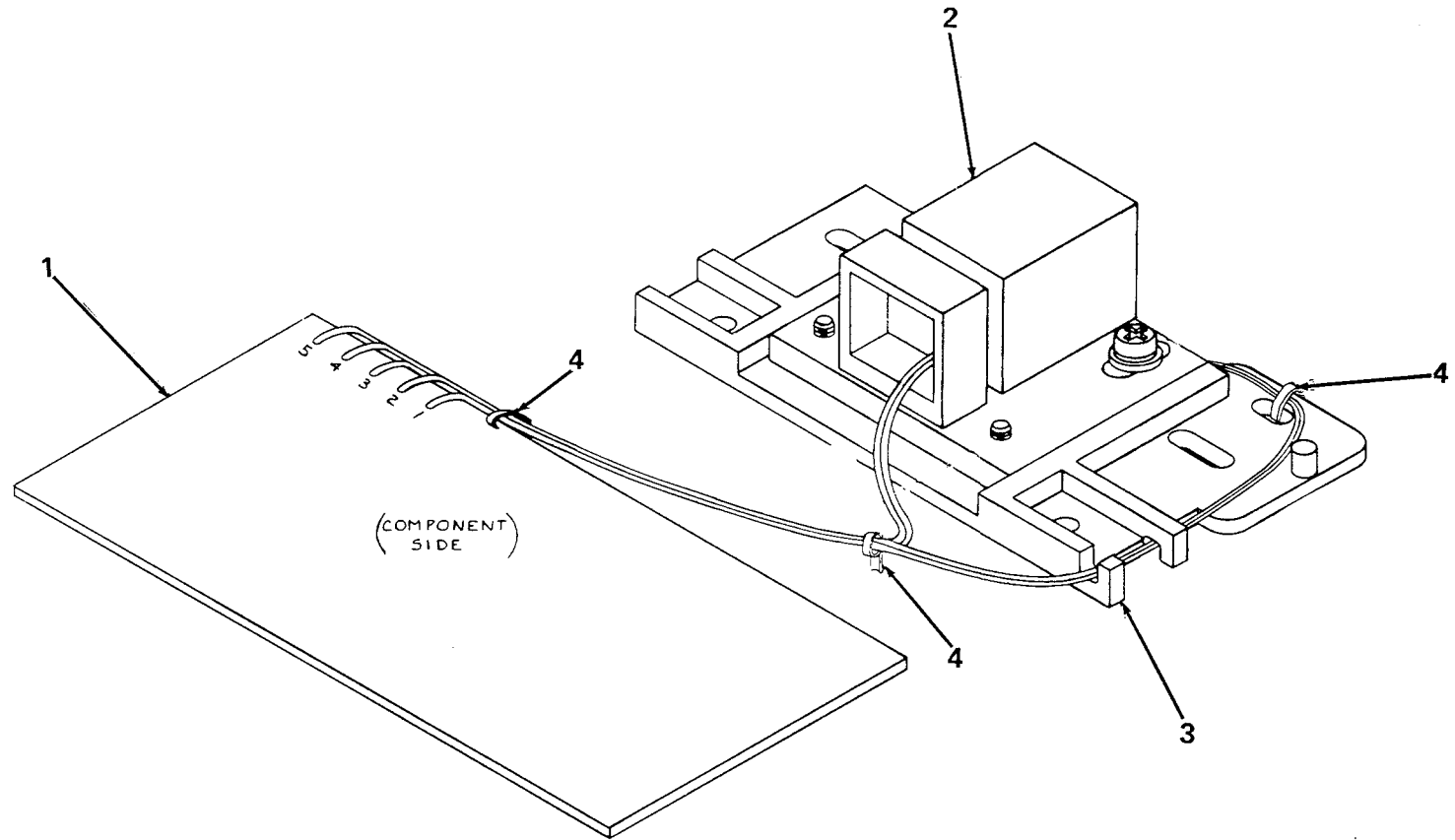


Figure 9. Position Sensor Assembly

LG0-09



FIG. & ITEM NO.	DESCRIPTION	VENDOR PART NO.	DEC PART NO.	ECO CUT-IN	USED ON CODE	REF FIG NO.
9-	POSITION SENSOR ASSEMBLY	608393-2	29-25559-00			
1	*PCB Assembly, Position Sensor	608264-1				
2	*Sensor, Shuttle Position	608781-1	29-25584-00			
3	*Bracket, Sensor Adjusting	608412-1				
4	*Tie, Cable	400341-01				

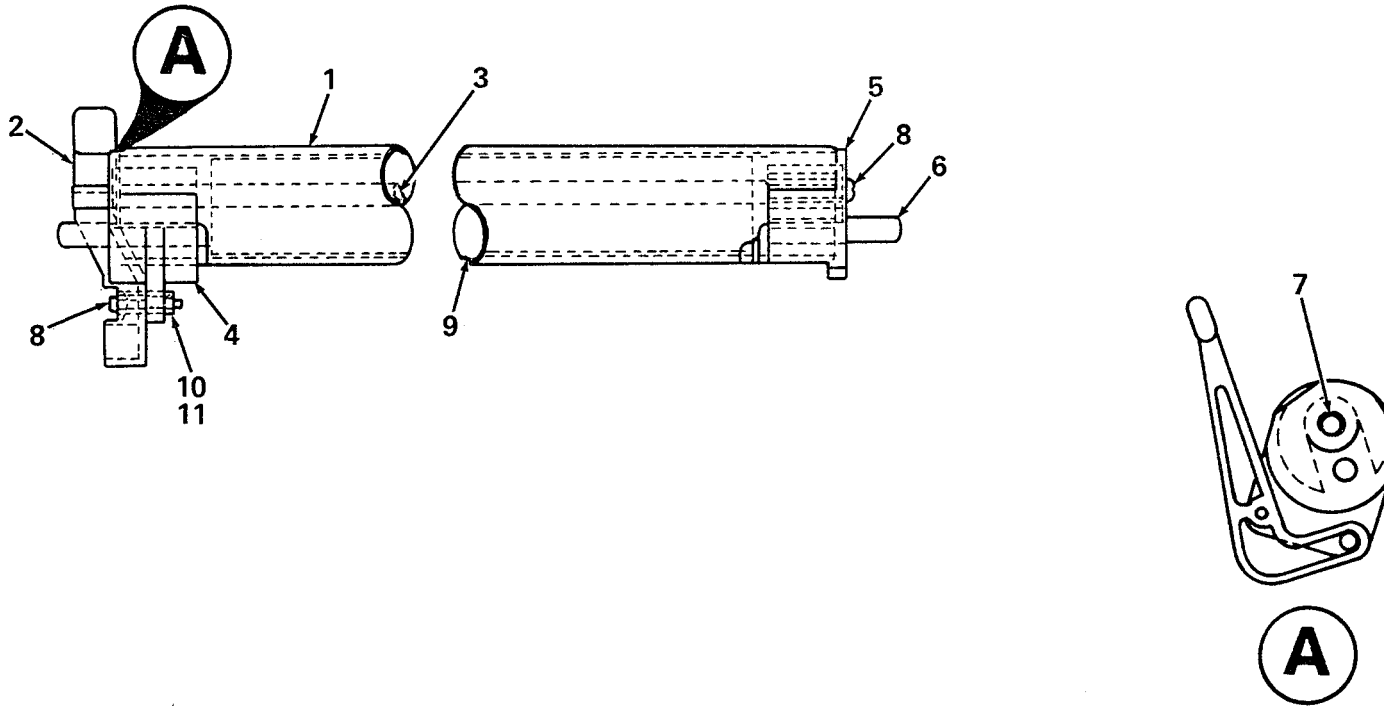


Figure 10. Platen Assembly

LG0-10

FIG. & ITEM NO.	DESCRIPTION	VENDOR PART NO.	DEC PART NO.	ECO CUT-IN	USED ON CODE	REF FIG NO.
10-	PLATEN ASSEMBLY	608601-11	29-25586-00			
1	*Platen	608608-1				
2	*Lever, Platen	608615-1				
3	*Cinch Rod	608613-1				
4	*Endcap-Platen	608620-1				
5	*Endcap-Platen	608620-2				
6	*Pin-Dowel	400167-14				
7	*Retaining Ring	400260-18				
8	*Screw, Phi Hd No. 8-32 x 1	402524-45				
9	*Dampener-Sound, Platen	608104-1				
10	*Nut, Self-Locking Hex Hd No. 8-32	400414-03				
11	*Washer, Lock, External Tooth No. 8	400307-03				

citizen

PART NUMBER/DESCRIPTION SORT



LG01/LG02 SORT BY PART NUMBER

PART NO.	DESCRIPTION	FIG. NO.	ITEM
29-25551-00	Gauge Kit	1	Not Shown
29-25552-00	Shuttle Motor Bobbin Assembly	4	55
29-25553-00	HAMMERBANK/YOKE ASSEMBLY	5	N/A
29-25553-00	Hammerbank/Yoke Assembly	4	10
29-25554-00	Fuse, Pico 2A (Not Shown)	2	8
29-25555-00	Paper Drive Motor Assembly	4	15
29-25556-00	Hammer Drive Assembly Module	2	8
29-25558-00	Switch, Air Sensor	3	55
29-25559-00	Position Sensor Assembly	4	6
29-25559-00	POSITION SENSOR ASSEMBLY	9	N/A
29-25560-00	Hammer Sequencer Module	2	6
29-25561-00	LG01 Control CPU Module	2	7
29-25562-00	Motor, Ribbon Drive	6	4
29-25563-00	Power Fan Assembly	3	9
29-25564-00	LG01 Serial I/O Module	2	10
29-25565-00	Paper Drive Tractor, (Lower R.H.)	7	3
29-25566-00	Paper Drive Tractor, (Upper L.H.)	7	4
29-25567-00	Paper Drive Tractor, (Upper R.H.)	7	5
29-25568-00	Paper Drive Tractor, W/Paper Out Switch (Lower L.H.)	7	6
29-25569-00	LG01 Parallel I/O Module	2	10
29-25570-00	Belt, Paper Drive	4	16
29-25572-00	Platen Open Switch	4	13
29-25573-00	Power Amp Module	2	3
29-25574-00	Paper/Status Control Module	2	4
29-25575-00	Shuttle/Ribbon Control Module	2	5
29-25577-00	Power Supply Module	2	9
29-25577-00	Power Supply/Circuit Board Assembly	8	3
29-25584-00	Sensor, Shuttle Position	9	2
29-25585-00	Shield, Ribbon	5	9
29-25586-00	Platen Assembly	10	N/A
29-26154-00	LG02 Control CPU Module	2	11
29-26156-00	Plenum, Front Seal	3	12
29-26158-00	Cable and Bulkhead Panel Assembly (LG02)	1	16
29-26214-00	Cable and Bulkhead Panel Assembly (LG01-Serial)	1	15
29-26226-00	Power Cord, (US)	8	5
29-26227-00	Caster Kit	3	48
29-26259-00	Cable and Bulkhead Panel Assembly (LG01-Parallel)	1	14
29-26383-00	Control Panel Assembly	1	17
29-26394-00	TRACTOR KIT (Upper Pair)	7	Not Shown
29-26395-00	TRACTOR KIT (Lower Pair)	7	Not Shown
29-26617-00	LG02 I/O PCVS (Serial/Parallel)	2	10
30-25434-01	BASIC PRINTER ASSEMBLY (LG02)	2	N/A
30-26069-01	BASIC PRINTER ASSEMBLY (LG01)	2	N/A

LG01/LG02 SORT BY PART NUMBER

PART NO.	DESCRIPTION	FIG. NO.	ITEM
34-26751-01	Paperbasket	1	13
400017-39	Screw, Self-Locking No. 8-32 x 7/8	4	48
400056-07	Clamp, Cable	4	23
400065-04	Cable Strain Relief	3	45
400167-14	Pin-Dowel	10	6
400215-11	Washer, Split Lock No. 10	4	35
400215-11	Washer, Split Lock No. 10	5	8
400216-11	Washer, Flat No. 10	4	53
400260-18	Retaining Ring	10	7
400260-18	"E" Ring	7	8
400292-02	Clamp, Capacitor	3	44
400307-03	Washer, Lock, External Tooth No. 8	10	11
400326-08	Washer, Nylon	7	10
400341-01	Tie, Cable	9	4
400341-01	Tie, Cable	3	14
400414-03	Nut, Self-Locking Hex Hd No. 8-32	10	10
400487-21	Washer, Nylon	4	25
400511-02	Clip, Tinnermann	6	5
400586-08	Extension Spring	4	21
400627-324	Screw, Pan Hd No. 10-32 x 3/8	4	42
400641-18	Grip Ring	7	9
400726-02	Nut, Hex No. 6-32	4	39
400783-05	Nut, Hex W/Washer	4	36
400783-07	Nut, Kep No. 8-32	4	51
400833-02	Bumper, Rubber	4	64
400866-04	Cap Screw, Socket Hd No. 10-32 x 7/16	4	52
400866-05	Cap Screw, Socket Hd No. 10-32 x 1/2	4	38
400866-06	Screw, Socket Hd No. 10-32 x 9/16	5	7
400866-07	Cap Screw, Socket Hd No. 10-32 x 5/8	4	54
401030-19	Single Flanged Ball Bearing	4	7
401074-22	Screw, Shoulder No. 10-32 x 1/2	4	20
401424-02	Plug, Flush Head	6	6
401506-03	Bracket, Mounting	3	25
401628-02	Clamp, Cable, Adhesive Backed	3	56
401646-02	Bumper	3	27
401867-03	Ball Bearing	4	9
401977-24	Foam Strip	4	29
402028-02	Receptacle, Clip-On, No. 9	3	50
402308-01	Belt, Paper Drive	4	16
402320-02	Fuse, Pico 2A (Not Shown)	2	8
402336-01	Platen Open Switch	4	13
402349-01	Capacitor, 6000 MFD, 100V	3	43
402356-03	Power Cord, (US)	8	5

LG01/LG02 SORT BY PART NUMBER

PART NO.	DESCRIPTION	FIG. NO.	ITEM
402379-03	Mount, Vibration Dampening	3	8
402379-39	Mount, Vibration Dampening	3	46
402429-01	Cable Clamp, Flat	4	5
402441-01	Terminal Strip, AC Distribution	3	40
402441-50	Marker Strip, Terminal	3	42
402524-22	Screw, Sems No. 6-32 x 3/8	4	34
402524-23	Screw, Sems Pan Hd No. 6-32 x 1/2	4	49
402524-42	Screw, Sems Pan Hd No. 8-32 x 3/8	4	37
402524-45	Screw, Phl Hd No. 8-32 x 1	10	8
402572-01	Collar, Shaft	7	11
402580-01	Motor, Ribbon Drive	6	4
402670-08	Bowed "E" Ring	4	12
402681-01	Switch, Ribbon Platform	6	8
402801-01	Latch, Non-Magnetic, Push	3	47
402801-01	Door Latch/Striker Assembly	1	9
402861-01	Switch, Air Sensor	3	55
402863-01	Fitting, Barbed	3	54
602631-1	Spring, Idler	4	40
605823-1	Idler	4	41
608048-1	UNIVERSAL POWER SUPPLY ASSEMBLY 115V 60 Hz	8	N/A
608048-2	UNIVERSAL POWER SUPPLY ASSEMBLY 230V 60 Hz	8	N/A
608048-3	UNIVERSAL POWER SUPPLY ASSEMBLY 115V 50 Hz	8	N/A
608048-4	UNIVERSAL POWER SUPPLY ASSEMBLY 230V 50 Hz	8	N/A
608053-2	Hood, Acoustic	1	12
608073-1	AC Power Input Assembly	8	4
608099-1	Brush, Anti-Static	1	10
608104-1	Dampener-Sound, Platen	10	9
608117-08	Enclosure Assembly, Rear	1	11
608118-1	Cable, Front Panel	1	18
608125-1	Retainer, Cable	3	31
608148-1/2	Power Fan Assembly	3	9
608155-1	Support, Ribbon Cartridge	6	1
608156-1	Plenum, Cartridge	6	2
608240-3	Control Panel Assembly	1	17
608258-1	Card Cage Assembly	3	51
608264-1	PCB Assembly, Position Sensor	9	1
608278-1T	Hammer Drive Assembly Module	2	8
608297-3	Ribbon Platform Switch Assembly	6	3
608300-1	Print Mechanism Assembly (Not Shown)	2	1
608300-1	PRINT MECHANISM ASSEMBLY	4	N/A
608302-1	Power Supply Module	2	9
608302-1	Power Supply/Circuit Board Assembly	8	2
608303-3	Power Supply Transformer Assembly	8	1
608306-1	Pulley, Driveshaft	7	7
608317-1	Retainer, Audio Alarm	3	41

LG01/LG02 SORT BY PART NUMBER

PART NO.	DESCRIPTION	FIG. NO.	ITEM
608325-1	Front Paper Guide Assembly	4	17
608326-1	Paper Guide	4	18
608327-1	Paper Guide Bracket Assembly (L.H.)	4	19
608327-2	Paper Guide Bracket Assembly (R.H.)	4	32
608329-1	Thumbwheel, Paper Tension	4	46
608375-1	Flat Cable Assembly (28 in.)	3	2
608375-2	Flat Cable Assembly (42 in.)	3	3
608376-1	Strap, Grounding	3	23
608377-24	Hammer Drive Cable and Bracket Assembly	4	4
608378-1	Blower Power Cable Assembly	3	1
608380-1	Print Mechanism Frame Assembly	4	1
608382-10	Stator Assembly	4	58
608382-11	Shuttle Motor Bobbin Assembly	4	55
608382-12	Cap, End	4	50
608382-13	Sleeve	4	61
608382-14	Wire	4	62
608382-15	Sleeve, Inner	4	63
608382-16	Connector	4	59
608382-17	Lead Wire	4	60
608382-18	Plug, Plastic	4	56
608382-19	Housing-Stator	4	57
608393-1	Position Sensor Assembly	4	6
608393-2	POSITION SENSOR ASSEMBLY	9	N/A
608406-2	Flexure, Hammerbank Support	5	4
608409-1	Flexure Clamp Assembly	5	5
608409-1	Flexure Clamp Assembly	4	11
608411-2	Vane, Position Sensor	5	3
608412-1	Bracket, Sensor Adjusting	9	3
608436-1	Insulator, PCB Sensor	4	8
608450-1	BASIC PRINTER ASSEMBLY (LG01)	2	N/A
608450-2	BASIC PRINTER ASSEMBLY (LG02)	2	N/A
608455-1	Status Cable Assembly	4	43
608457-3	Shielded Cable Assembly	4	24
608487-1	Foam, Hammer Driver Panel	3	39
608489-1	Gasket, Blower	3	15
608499-114	Lid Assembly	1	5
608500-1	COVER/ENCLOSURE SET ASSEMBLY	1	N/A
608541-11	Foam	6	7
608552-1	Gasket, Blower Support	3	10
608553-2	Plenum-Blower, Linear Motor	3	11
608554-1	Plenum-Blower, Hammerbank	3	13
608560-115	Cover Assembly	1	1
608561-1	Duct, Elbow	3	16
608563-1	Bracket, Door Hinge	3	18
608567-1	Right Panel Bracket Assembly	3	20

LG01/LG02 SORT BY PART NUMBER

PART NO.	DESCRIPTION	FIG. NO.	ITEM
608568-1	Adjusting Right Panel Bracket Assembly	3	21
608569-1	Hinge, Door	3	22
608570-1	Pin, Hinge	3	24
608573-1	Ribbon Cartridge Sprocket Assembly	4	26
608573-1	CARTRIDGE SUPPORT ASSEMBLY	6	N/A
608576-1	Left Front Mounting Bracket Assembly	3	19
608583-115	Enclosure Assembly (L.H.)	1	2
608584-115	Enclosure Assembly (R.H.)	1	3
608587-1	Cover, Circuit Breaker	3	28
608591-1	Bracket, Ribbon Sprocket (R.H.)	4	27
608592-1	Bracket, Ribbon Sprocket (L.H.)	4	28
608599-1	Caster Kit	3	48
608601-11	Platen Assembly	10	N/A
608602-1	Idler Belt Assembly	4	47
608604-1	Bracket, Strain Relief	3	30
608606-1	Shaft, Tractor Support	7	2
608607-1	Shaft, Tractor Drive	7	1
608608-1	Platen	10	1
608613-1	Cinch Rod	10	3
608616-1	Lever, Platen	10	2
608618-2	Paper Drive Motor Assembly	4	15
608620-1	Endcap-Platen	10	4
608620-2	Endcap-Platen	10	5
608624-1	Tubing, Plenum	3	49
608629-1	Bracket, Plenum Mounting	3	5
608630-1	Bellows	3	33
608634-1	Foam, Left Card Cage	3	34
608635-1	Foam, Right Card Cage	3	36
608639-1	Foam, Paper Enclosure	3	37
608647-1	Power Supply Bleeder Assembly	3	32
608650-1	Sound Shield Assembly	4	30
608662-1	HAMMERBANK/YOKE ASSEMBLY	5	N/A
608662-1	Hammerbank/Yoke Assembly	4	10
608678-1	Sonalert Assembly	3	52
608705-1	Stay Arm, Cover	3	26
608707-1	Support, Blower	3	4
608710-1	Support, Upper Door Seal	3	7
608718-2	Clamp, Grounding	4	31
608719-1	Left Panel Bracket Assembly	3	17
608720-1	Frame Weldment	3	6
608755-1	Cover, Right Panel	3	35
608770-1	Idler Shaft	4	22
608775-3	Paper Guide, Lower	1	20
608776-1	Paper Guide, Upper	1	19
608781-1	Sensor, Shuttle Position	9	2

LG01/LG02 SORT BY PART NUMBER

PART NO.	DESCRIPTION	FIG. NO.	ITEM
608782-1	TRACTOR/DRIVESHAFT ASSEMBLY	7	N/A
608800-1	Frame Assembly	2	2
608800-2	FRAME ASSEMBLY	3	N/A
608816-1	Cover Restraint Assembly	1	6
608818-1	Door Restraint Assembly	1	7
608820-2	Plenum, Front Seal	3	12
608833-2	Shield, Ribbon	5	9
608840-3	Paperbasket	1	13
608866-1	Gauge Kit	1	Not Shown
608870-1	Hammerbank Assembly	5	1
608872-1	Paper Tension Actuator Arm	4	45
608873-1	Paper Tension Eccentric	4	33
608875-1	Paper Tension Link	4	44
608878-1	Bogie Arm Assembly	4	14
608881-1	Block, Stay Arm	3	38
608896-115	Door Assembly	1	4
608897-1	Yoke Plate Shuttle	4	2
608930-1	Clamp Assembly, Strain Relief	4	3
608945-1	Power Distribution Cable Assembly	8	3
608950-1T	Power Amp Module	2	3
608952-1	Bracket, Door Latch	1	8
608952-1	Non-Magnetic Latch Mounting Bracket Assembly	3	29
608969-1T	Paper/Status Control Module	2	4
608984-1	Lid Support Assembly, Right	1	21
608984-2	Lid Support Assembly, Left	1	22
608996-1	Pad-Adhesive, Switch Mount	3	53
610040-2	LG02 I/O PCVS (Serial/Parallel)	2	10
610056-1	Hammer Sequencer Module	2	6
610199-1	Cable and Bulkhead Panel Assembly (LG02)	1	16
610199-2	Cable and Bulkhead Panel Assembly (LG01-Parallel)	1	14
610199-3	Cable and Bulkhead Panel Assembly (LG01-Serial)	1	15
610377-2	Yoke Assembly	5	2
610381-1	Plate, Vane Bearing	5	6
610424-1	LG01 Parallel I/O Module	2	10
610424-11	LG01 Serial I/O Module	2	10
610424-21	Shuttle/Ribbon Control Module	2	5
610424-31	LG01 Control CPU Module	2	7
610424-32	LG02 Control CPU Module	2	11
610429-3	TRACTOR KIT (Upper Pair)	7	Not Shown
610429-4	TRACTOR KIT (Lower Pair)	7	Not Shown
610430-1	Paper Drive Tractor, (Upper L.H.)	7	4
610430-2	Paper Drive Tractor, (Upper R.H.)	7	5

LG01/LG02 SORT BY PART NUMBER

PART NO.	DESCRIPTION	FIG. NO.	ITEM
610430-3	Paper Drive Tractor, W/Paper Out Switch (Lower L.H.)	7	6
610430-4	Paper Drive Tractor, (Lower R.H.)	7	3
LG01-AA	Model LG01-AA, Text-Only Printer, Parallel Interface W/LP11 Controller	1	N/A
LG01-BA	Model LG01-BA, Text-Only Printer, Parallel Interface W/LP11 Controller	1	N/A
LG01-CA	Model LG01-CA, Text-Only Printer, Parallel Interface W/DMF32 Connector	1	N/A
LG01-DA	Model LG01-DA, Text-Only Printer, Serial Interface W/RS232 Connector	1	N/A
LG02-AA	Model LG02-AA, Text/Graphic Printer, Serial/Parallel Interface W/LP11 Controller	1	N/A
LG02-BA	Model LG02-BA, Text/Graphic Printer, Serial/Parallel Interface W/LPV11 Controller	1	N/A
LG02-CA	Model LG02-CA, Text/Graphic Printer, Serial/ Parallel Interface W/DMF32 Connector	1	N/A
LG02-DA	Model LG02-DA, Text/Graphic Printer, Serial/ Parallel Interface W/RS232 Connector	1	N/A

LG01/LG02 SORTED BY PART DESCRIPTION

DESCRIPTION	PART NO.	FIG. NO.	ITEM
"E" Ring	400260-18	7	8
AC Power Input Assembly	608073-1	8	4
Adjusting Right Panel Bracket Assembly	608568-1	3	21
Ball Bearing	401867-03	4	9
BASIC PRINTER ASSEMBLY (LG01)	30-26069-01	2	N/A
BASIC PRINTER ASSEMBLY (LG01)	608450-1	2	N/A
BASIC PRINTER ASSEMBLY (LG02)	608450-2	2	N/A
BASIC PRINTER ASSEMBLY (LG02)	30-25434-01	2	N/A
Bellows	608630-1	3	33
Belt, Paper Drive	402308-01	4	16
Belt, Paper Drive	29-25570-00	4	16
Block, Stay Arm	608881-1	3	38
Blower Power Cable Assembly	608378-1	3	1
Bogie Arm Assembly	608878-1	4	14
Bowed "E" Ring	402670-08	4	12
Bracket, Door Hinge	608563-1	3	18
Bracket, Door Latch	608952-1	1	8
Bracket, Mounting	401506-03	3	25
Bracket, Plenum Mounting	608629-1	3	5
Bracket, Ribbon Sprocket (L.H.)	608592-1	4	28
Bracket, Ribbon Sprocket (R.H.)	608591-1	4	27
Bracket, Sensor Adjusting	608412-1	9	3
Bracket, Strain Relief	608604-1	3	30
Brush, Anti-Static	608099-1	1	10
Bumper	401646-02	3	27
Bumper, Rubber	400833-02	4	64
Cable and Bulkhead Panel Assembly (LG01-Parallel)	610199-2	1	14
Cable and Bulkhead Panel Assembly (LG01-Parallel)	29-26259-00	1	14
Cable and Bulkhead Panel Assembly (LG01-Serial)	610199-3	1	15
Cable and Bulkhead Panel Assembly (LG01-Serial)	29-26214-00	1	15
Cable and Bulkhead Panel Assembly (LG02)	29-26158-00	1	16
Cable and Bulkhead Panel Assembly (LG02)	610199-1	1	16
Cable Clamp, Flat	402429-01	4	5
Cable Strain Relief	400065-04	3	45
Cable, Front Panel	608118-1	1	18
Cap Screw, Socket Hd No. 10-32 x 1/2	400866-05	4	38
Cap Screw, Socket Hd No. 10-32 x 5/8	400866-07	4	54
Cap Screw, Socket Hd No. 10-32 x 7/16	400866-04	4	52
Cap, End	608382-12	4	50
Capacitor, 6000 MFD, 100V	402349-01	3	43

LG01/LG02 SORTED BY PART DESCRIPTION

DESCRIPTION	PART NO.	FIG. NO.	ITEM
Card Cage Assembly	608258-1	3	51
CARTRIDGE SUPPORT ASSEMBLY	608573-1	6	N/A
Caster Kit	29-26227-00	3	48
Caster Kit	608599-1	3	48
Cinch Rod	608613-1	10	3
Clamp Assembly, Strain Relief	608930-1	4	3
Clamp, Cable	400056-07	4	23
Clamp, Cable, Adhesive Backed	401628-02	3	56
Clamp, Capacitor	400292-02	3	44
Clamp, Grounding	608718-2	4	31
Clip, Tinnermann	400511-02	6	5
Collar, Shaft	402572-01	7	11
Connector	608382-16	4	59
Control Panel Assembly	29-26383-00	1	17
Control Panel Assembly	608240-3	1	17
Cover Assembly	608560-115	1	1
Cover Restraint Assembly	608816-1	1	6
Cover, Circuit Breaker	608587-1	3	28
Cover, Right Panel	608755-1	3	35
COVER/ENCLOSURE SET ASSEMBLY	608500-1	1	N/A
Dampener-Sound, Platen	608104-1	10	9
Door Assembly	608896-115	1	4
Door Latch/Striker Assembly	402801-01	1	9
Door Restraint Assembly	608818-1	1	7
Duct, Elbow	608561-1	3	16
Enclosure Assembly (L.H.)	608583-115	1	2
Enclosure Assembly (R.H.)	608584-115	1	3
Enclosure Assembly, Rear	608117-08	1	11
Endcap-Platen	608620-2	10	5
Endcap-Platen	608620-1	10	4
Extension Spring	400586-08	4	21
Fitting, Barbed	402863-01	3	54
Flat Cable Assembly (28 in.)	608375-1	3	2
Flat Cable Assembly (42 in.)	608375-2	3	3
Flexure Clamp Assembly	608409-1	5	5
Flexure Clamp Assembly	608409-1	4	11
Flexure, Hammerbank Support	608406-2	5	4
Foam	608541-11	6	7
Foam Strip	401977-24	4	29
Foam, Hammer Driver Panel	608487-1	3	39
Foam, Left Card Cage	608634-1	3	34
Foam, Paper Enclosure	608639-1	3	37
Foam, Right Card Cage	608635-1	3	36
Frame Assembly	608800-1	2	2
FRAME ASSEMBLY	608800-2	3	N/A

LG01/LG02 SORTED BY PART DESCRIPTION

DESCRIPTION	PART NO.	FIG. NO.	ITEM
Frame Weldment	608720-1	3	6
Front Paper Guide Assembly	608325-1	4	17
Fuse, Pico 2A (Not Shown)	402320-02	2	8
Fuse, Pico 2A (Not Shown)	29-25554-00	2	8
Gasket, Blower	608489-1	3	15
Gasket, Blower Support	608552-1	3	10
Gauge Kit	608866-1	1	Not Shown
Gauge Kit	29-25551-00	1	Not Shown
Grip Ring	400641-18	7	9
Hammer Drive Assembly Module	29-25556-00	2	8
Hammer Drive Assembly Module	608278-1T	2	8
Hammer Drive Cable and Bracket Assembly	608377-24	4	4
Hammer Sequencer Module	29-25560-00	2	6
Hammer Sequencer Module	610056-1	2	6
Hammerbank Assembly	608870-1	5	1
Hammerbank/Yoke Assembly	29-25553-00	4	10
HAMMERBANK/YOKE ASSEMBLY	29-25553-00	5	N/A
HAMMERBANK/YOKE ASSEMBLY	608662-1	5	N/A
Hammerbank/Yoke Assembly	608662-1	4	10
Hinge, Door	608569-1	3	22
Hood, Acoustic	608053-2	1	12
Housing-Stator	608382-19	4	57
Idler	605823-1	4	41
Idler Belt Assembly	608602-1	4	47
Idler Shaft	608770-1	4	22
Insulator, PCB Sensor	608436-1	4	8
Latch, Non-Magnetic, Push	402801-01	3	47
Lead Wire	608382-17	4	60
Left Front Mounting Bracket Assembly	608576-1	3	19
Left Panel Bracket Assembly	608719-1	3	17
Lever, Platen	608616-1	10	2
LG01 Control CPU Module	29-25561-00	2	7
LG01 Control CPU Module	610424-31	2	7
LG01 Parallel I/O Module	610424-1	2	10
LG01 Parallel I/O Module	29-25569-00	2	10
LG01 Serial I/O Module	610424-11	2	10
LG01 Serial I/O Module	29-25564-00	2	10
LG02 Control CPU Module	610424-32	2	11
LG02 Control CPU Module	29-26154-00	2	11
LG02 I/O PCVS (Serial/Parallel)	29-26617-00	2	10
LG02 I/O PCVS (Serial/Parallel)	610040-2	2	10
Lid Assembly	608499-114	1	5
Lid Support Assembly, Left	608984-2	1	22
Lid Support Assembly, Right	608984-1	1	21

LG01/LG02 SORTED BY PART DESCRIPTION

DESCRIPTION	PART NO.	FIG. NO.	ITEM
Marker Strip, Terminal	402441-50	3	42
Model LG01-AA, Text-Only Printer, Parallel Interface W/LP11 Controller	LG01-AA	1	N/A
Model LG01-BA, Text-Only Printer, Parallel Interface W/LP11 Controller	LG01-BA	1	N/A
Model LG01-CA, Text-Only Printer, Parallel Interface W/DMF32 Connector	LG01-CA	1	N/A
Model LG01-DA, Text-Only Printer, Serial Interface W/RS232 Connector	LG01-DA	1	N/A
Model LG02-AA, Text/Graphic Printer, Serial/Parallel Interface W/LP11 Controller	LG02-AA	1	N/A
Model LG02-BA, Text/Graphic Printer, Serial/Parallel Interface W/LPV11 Controller	LG02-BA	1	N/A
Model LG02-CA, Text/Graphic Printer, Serial/Parallel Interface W/DMF32 Connector	LG02-CA	1	N/A
Model LG02-DA, Text/Graphic Printer, Serial/Parallel Interface W/RS232 Connector	LG02-DA	1	N/A
Motor, Ribbon Drive	29-25562-00	6	4
Motor, Ribbon Drive	402580-01	6	4
Mount, Vibration Dampening	402379-39	3	46
Mount, Vibration Dampening	402379-03	3	8
Non-Magnetic Latch Mounting Bracket Assembly	608952-1	3	29
Nut, Hex No. 6-32	400726-02	4	39
Nut, Hex W/Washer	400783-05	4	36
Nut, Kep No. 8-32	400783-07	4	51
Nut, Self-Locking Hex Hd No. 8-32	400414-03	10	10
Pad-Adhesive, Switch Mount	608996-1	3	53
Paper Drive Motor Assembly	608618-2	4	15
Paper Drive Motor Assembly	29-25555-00	4	15
Paper Drive Tractor, (Lower R.H.)	29-25565-00	7	3
Paper Drive Tractor, (Lower R.H.)	610430-4	7	3
Paper Drive Tractor, (Upper L.H.)	29-25566-00	7	4
Paper Drive Tractor, (Upper L.H.)	610430-1	7	4
Paper Drive Tractor, (Upper R.H.)	610430-2	7	5
Paper Drive Tractor, (Upper R.H.)	29-25567-00	7	5
Paper Drive Tractor, W/Paper Out Switch (Lower L.H.)	610430-3	7	6
Paper Drive Tractor, W/Paper Out Switch (Lower L.H.)	29-25568-00	7	6
Paper Guide	608326-1	4	18
Paper Guide Bracket Assembly (L.H.)	608327-1	4	19
Paper Guide Bracket Assembly (R.H.)	608327-2	4	32
Paper Guide, Lower	608775-3	1	20
Paper Guide, Upper	608776-1	1	19

LG01/LG02 SORTED BY PART DESCRIPTION

DESCRIPTION	PART NO.	FIG. NO.	ITEM
Paper Tension Actuator Arm	608872-1	4	45
Paper Tension Eccentric	608873-1	4	33
Paper Tension Link	608875-1	4	44
Paper/Status Control Module	29-25574-00	2	4
Paper/Status Control Module	608969-1T	2	4
Paperbasket	608840-3	1	13
Paperbasket	34-26751-01	1	13
PCB Assembly, Position Sensor	608264-1	9	1
Pin, Hinge	608570-1	3	24
Pin-Dowel	400167-14	10	6
Plate, Vane Bearing	610381-1	5	6
Platen	608608-1	10	1
Platen Assembly	29-25586-00	10	N/A
Platen Assembly	608601-11	10	N/A
Platen Open Switch	29-25572-00	4	13
Platen Open Switch	402336-01	4	13
Plenum, Cartridge	608156-1	6	2
Plenum, Front Seal	29-26156-00	3	12
Plenum, Front Seal	608820-2	3	12
Plenum-Blower, Hammerbank	608554-1	3	13
Plenum-Blower, Linear Motor	608553-2	3	11
Plug, Flush Head	401424-02	6	6
Plug, Plastic	608382-18	4	56
POSITION SENSOR ASSEMBLY	608393-2	9	N/A
POSITION SENSOR ASSEMBLY	29-25559-00	9	N/A
Position Sensor Assembly	608393-1	4	6
Position Sensor Assembly	29-25559-00	4	6
Power Amp Module	608950-1T	2	3
Power Amp Module	29-25573-00	2	3
Power Cord, (US)	29-26226-00	8	5
Power Cord, (US)	402356-03	8	5
Power Distribution Cable Assembly	608945-1	8	3
Power Fan Assembly	29-25563-00	3	9
Power Fan Assembly	608148-1/2	3	9
Power Supply Bleeder Assembly	608647-1	3	32
Power Supply Module	608302-1	2	9
Power Supply Module	29-25577-00	2	9
Power Supply Transformer Assembly	608303-3	8	1
Power Supply/Circuit Board Assembly	29-25577-00	8	3
Power Supply/Circuit Board Assembly	608302-1	8	2
PRINT MECHANISM ASSEMBLY	608300-1	4	N/A
Print Mechanism Assembly (Not Shown)	608300-1	2	1
Print Mechanism Frame Assembly	608380-1	4	1
Pulley, Driveshaft	608306-1	7	7

LG01/LG02 SORTED BY PART DESCRIPTION

DESCRIPTION	PART NO.	FIG. NO.	ITEM
Receptacle, Clip-On, No. 9	402028-02	3	50
Retainer, Audio Alarm	608317-1	3	41
Retainer, Cable	608125-1	3	31
Retaining Ring	400260-18	10	7
Ribbon Cartridge Sprocket Assembly	608573-1	4	26
Ribbon Platform Switch Assembly	608297-3	6	3
Right Panel Bracket Assembly	608567-1	3	20
Screw, Pan Hd No. 10-32 x 3/8	400627-324	4	42
Screw, Phl Hd No. 8-32 x 1	402524-45	10	8
Screw, Self-Locking No. 8-32 x 7/8	400017-39	4	48
Screw, Sems No. 6-32 x 3/8	402524-22	4	34
Screw, Sems Pan Hd No. 6-32 x 1/2	402524-23	4	49
Screw, Sems Pan Hd No. 8-32 x 3/8	402524-42	4	37
Screw, Shoulder No. 10-32 x 1/2	401074-22	4	20
Screw, Socket Hd No. 10-32 x 9/16	400866-06	5	7
Sensor, Shuttle Position	29-25584-00	9	2
Sensor, Shuttle Position	608781-1	9	2
Shaft, Tractor Drive	608607-1	7	1
Shaft, Tractor Support	608606-1	7	2
Shield, Ribbon	29-25585-00	5	9
Shield, Ribbon	608833-2	5	9
Shielded Cable Assembly	608457-3	4	24
Shuttle Motor Bobbin Assembly	29-25552-00	4	55
Shuttle Motor Bobbin Assembly	608382-11	4	55
Shuttle/Ribbon Control Module	29-25575-00	2	5
Shuttle/Ribbon Control Module	610424-21	2	5
Single Flanged Ball Bearing	401030-19	4	7
Sleeve	608382-13	4	61
Sleeve, Inner	608382-15	4	63
Sonalert Assembly	608678-1	3	52
Sound Shield Assembly	608650-1	4	30
Spring, Idler	602631-1	4	40
Stator Assembly	608382-10	4	58
Status Cable Assembly	608455-1	4	43
Stay Arm, Cover	608705-1	3	26
Strap, Grounding	608376-1	3	23
Support, Blower	608707-1	3	4
Support, Ribbon Cartridge	608155-1	6	1
Support, Upper Door Seal	608710-1	3	7
Switch, Air Sensor	29-25558-00	3	55
Switch, Air Sensor	402861-01	3	55
Switch, Ribbon Platform	402681-01	6	8
Terminal Strip, AC Distribution	402441-01	3	40
Thumbwheel, Paper Tension	608329-1	4	46

LG01/LG02 SORTED BY PART DESCRIPTION

DESCRIPTION	PART NO.	FIG. NO.	ITEM
Tie, Cable	400341-01	9	4
Tie, Cable	400341-01	3	14
TRACTOR KIT (Lower Pair)	29-26395-00	7	Not Shown
TRACTOR KIT (Lower Pair)	610429-4	7	Not Shown
TRACTOR KIT (Upper Pair)	610429-3	7	Not Shown
TRACTOR KIT (Upper Pair)	29-26394-00	7	Not Shown
TRACTOR/DRIVESHAFT ASSEMBLY	608782-1	7	N/A
Tubing, Plenum	608624-1	3	49
UNIVERSAL POWER SUPPLY ASSEMBLY 115V 50 Hz	608048-3	8	N/A
UNIVERSAL POWER SUPPLY ASSEMBLY 115V 60 Hz	608048-1	8	N/A
UNIVERSAL POWER SUPPLY ASSEMBLY 230V 50 Hz	608048-4	8	N/A
UNIVERSAL POWER SUPPLY ASSEMBLY 230V 60 Hz	608048-2	8	N/A
Vane, Position Sensor	608411-2	5	3
Washer, Flat No. 10	400216-11	4	53
Washer, Lock, External Tooth No. 8	400307-03	10	11
Washer, Nylon	400487-21	4	25
Washer, Nylon	400326-08	7	10
Washer, Split Lock No. 10	400215-11	4	35
Washer, Split Lock No. 10	400215-11	5	8
Wire	608382-14	4	62
Yoke Assembly	610377-2	5	2
Yoke Plate Shuttle	608897-1	4	2

OFFICE OF THE ASSISTANT ATTORNEY GENERAL

San Francisco, California

