

**ILLUSTRATED  
PARTS  
BREAKDOWN**

**HSC90/60  
STORAGE CONTROLLERS**

**ILLUSTRATED PARTS BREAKDOWN (IPB)**  
The IPB is used to identify a part and its location in a hardware product. The document references specific item numbers in the associated parts list.

**HOW TO USE THE IPB**

1. Locate the figure containing the item of interest.
2. Locate the number (callout) of the item of interest.
3. Locate that item number in the associated parts list.

**FORMAT**

Each IPB is generally organized based on its first figure. All other assemblies and subassemblies are referenced from this figure. Each figure contains numeric callouts of all major parts (items).

**PARTS LIST**

Each parts list contains the following:

**Figure and Item No.** – Lists the figure number and its referenced numeric callout

**Description** – Presents the name and a brief description of the item. A single asterisk (\*) preceding the description

denotes item is a subassembly to its referenced figure. A double asterisk (\*\*) preceding the description indicates that this item is subordinate to the preceding single asterisk item.

**DEC Part No.** – Lists the Digital/Vendor part number. The letter in the column heading indicates the current revision level of the Engineering Drawing for the referenced figure.

**ECO Cut-In** – Lists the top assembly drawing number and revision level at first printing. All additional revisions to an item are listed in this column.

**Used On Code** – Lists letters referring to the product variation assigned in Figure 1. When this column is blank, the item is used in all options.

**Ref Fig No.** – Lists a cross reference between figures within the IPB.

**PART NUMBER/PART DESCRIPTION INDEX SECTION**

Lists items by part number numerically, and description alphabetically. Items are also referenced to a location within the IPB by figure and item number.

**ECO/REVISION HISTORY**

**OTHER IPB  
MANUALS  
REFERENCED**

FIGURE NO.	ASSEMBLY	INITIAL LEVEL	CURRENT LEVEL	PRINTING DATE	OTHER IPB MANUALS REFERENCED
1	HSC90	00000	00000	31-AUG-91	EK-0LA50-IP EK-0LA75-IP EK-VT220-IP EK-VT320-IP EK-VT420-IP EK-0RX33-IP
2	HSC60	00000	00000		
3	70-23139	HSC70-00012	HSC70-00012		
4	70-23126	HSC70-00012	HSC70-00012		
5	70-23128	HSC70-00012	HSC70-00012		
6	70-20031	00001	00001		
7	70-23129	00000	00000		
8	70-20033	00004	00004		
9	70-20184	00001	00001		
10	70-23130	HSC70-00012	HSC70-00012		
11	70-23131	HSC70-00012	HSC70-00012		
12	70-23132	00002	00002		
13	70-23138	00000	00000		
14	70-19083	00001	00001		
15	70-23219	HSC50-00015	HSC50-00015		
16	70-23125	HSC70-00003	HSC50-00015		

Digital Equipment Corporation reserves the right, without notice, to make substitutions and modifications in the specifications of products documented in this manual and further reserves the right to withdraw any of these products from the market without notice.

Digital Equipment Corporation is not responsible for errors which may appear in the technical description (including illustrations and photographs) of the products covered by this manual.

None of the descriptions contained in this manual imply the granting of any license whatsoever to make, use or sell equipment constructed in accordance therewith.

Restricted Rights: Use, duplication or disclosure by the U.S. Government is subject to restrictions as set forth in subparagraph (c) (1) (ii) of the Rights in Technical Data and Computer Software clause at DFARS 252.227-2713.

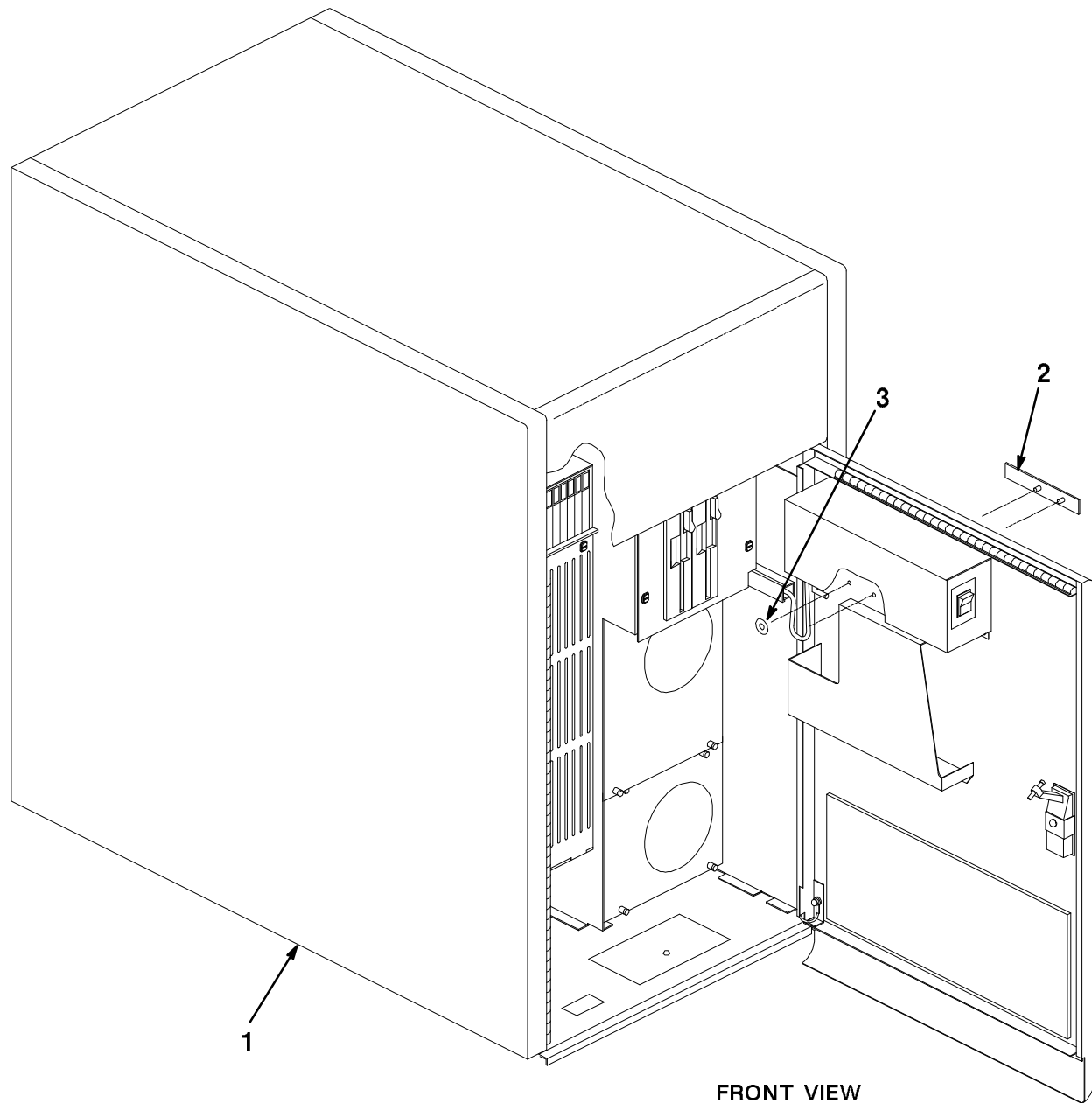
Copyright © 1987,1988, 1991 by Digital Equipment Corporation. All rights reserved.  
Printed in U.S.A.

The postage-paid READER'S COMMENTS form on the last page of this document requests your critical evaluation to assist us in preparing future documentation.

The following are trademarks of Digital Equipment Corporation :

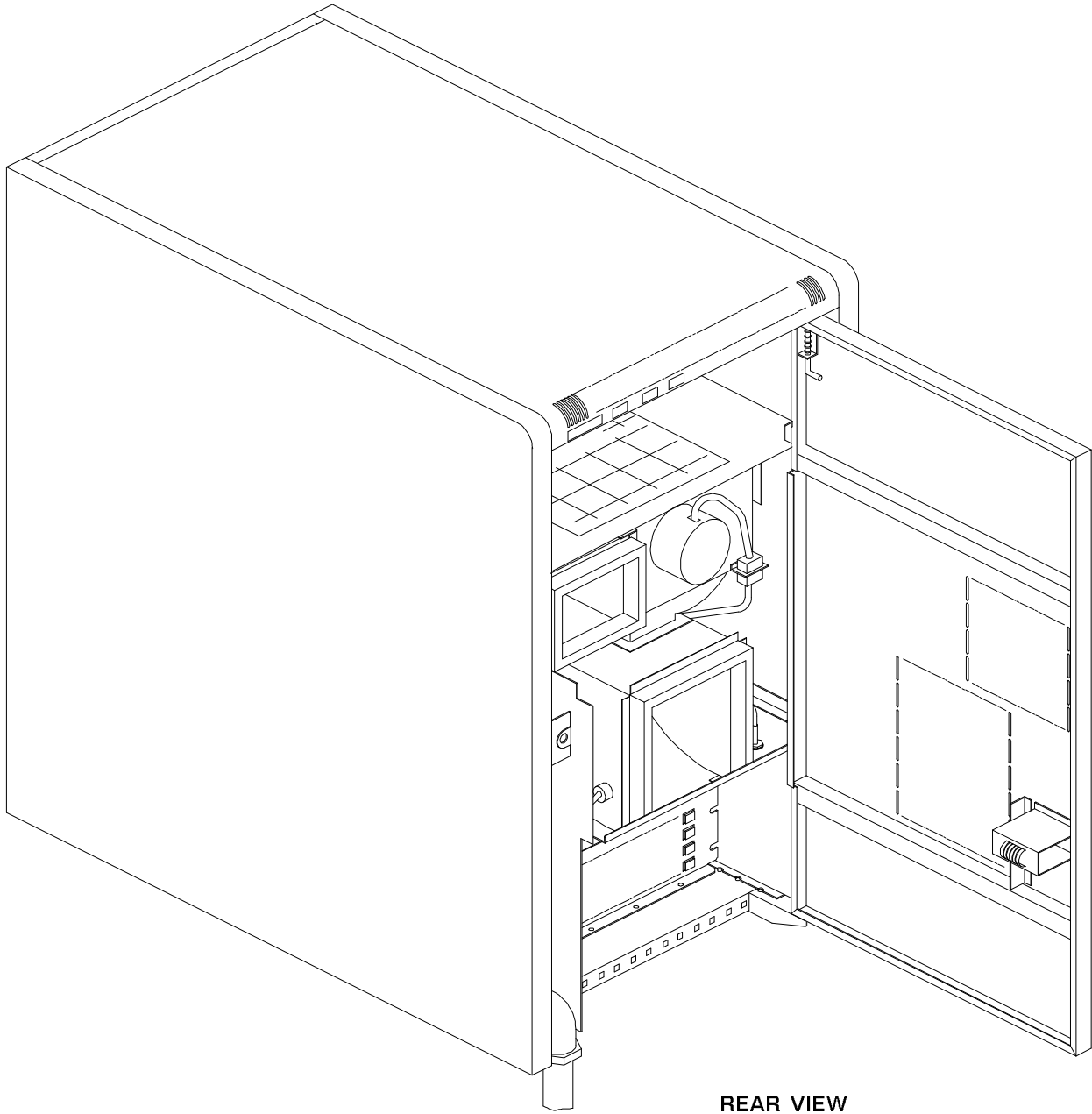
---

DECdirect, HSC40, HSC50, HSC60, HSC60, HSC70, HSC90, LA50, LA70, LA75, PDP-11, RX33, VT220, VT320, VT420 and the DIGITAL logo.



HSC96-01-IL

**Figure 1. Controller, HSC90 Storage (Sheet 1 of 2)**



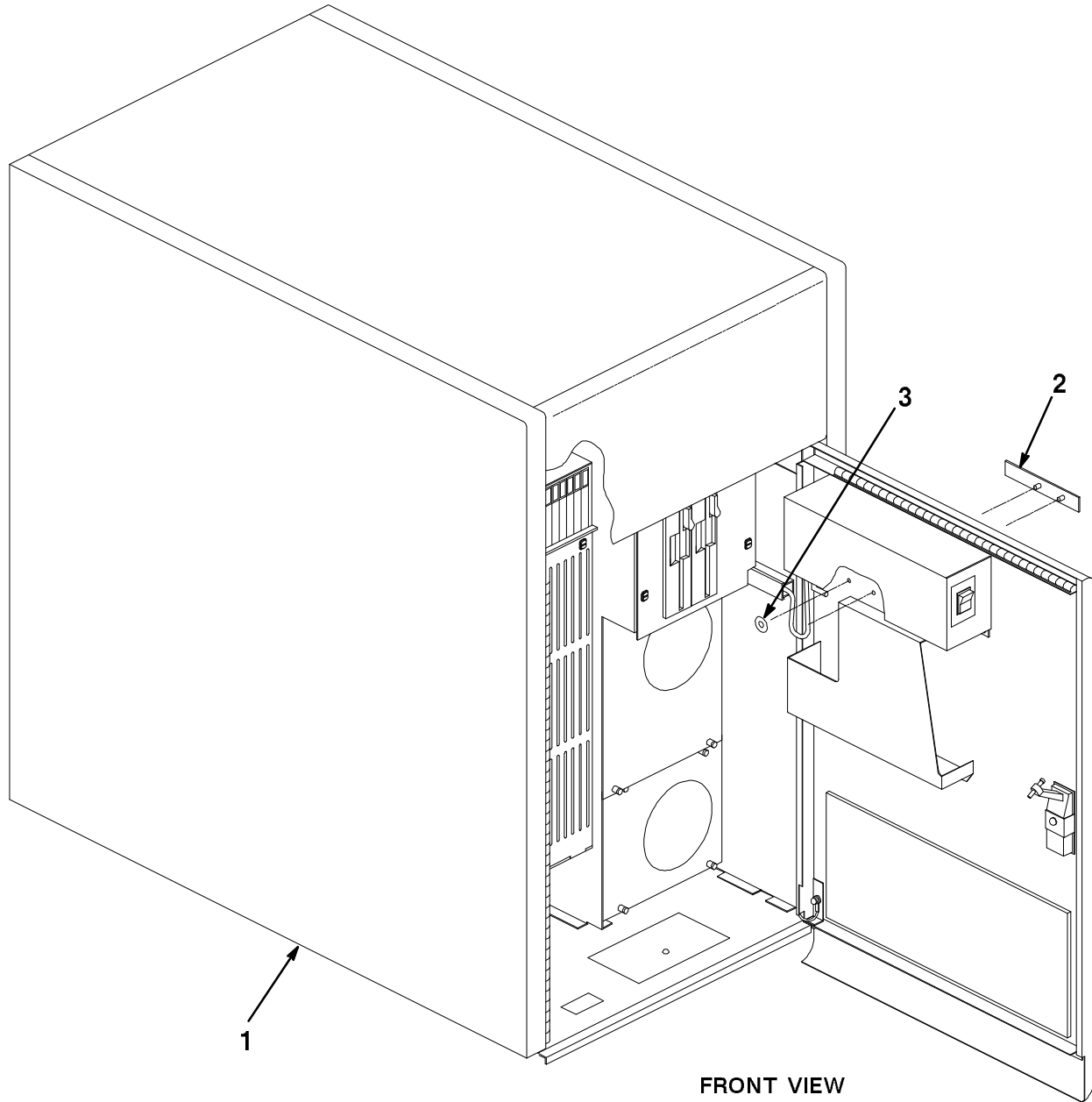
REAR VIEW

HSC96-01A-IL

**Figure 1. Controller, HSC90 Storage (Sheet 2 of 2)**

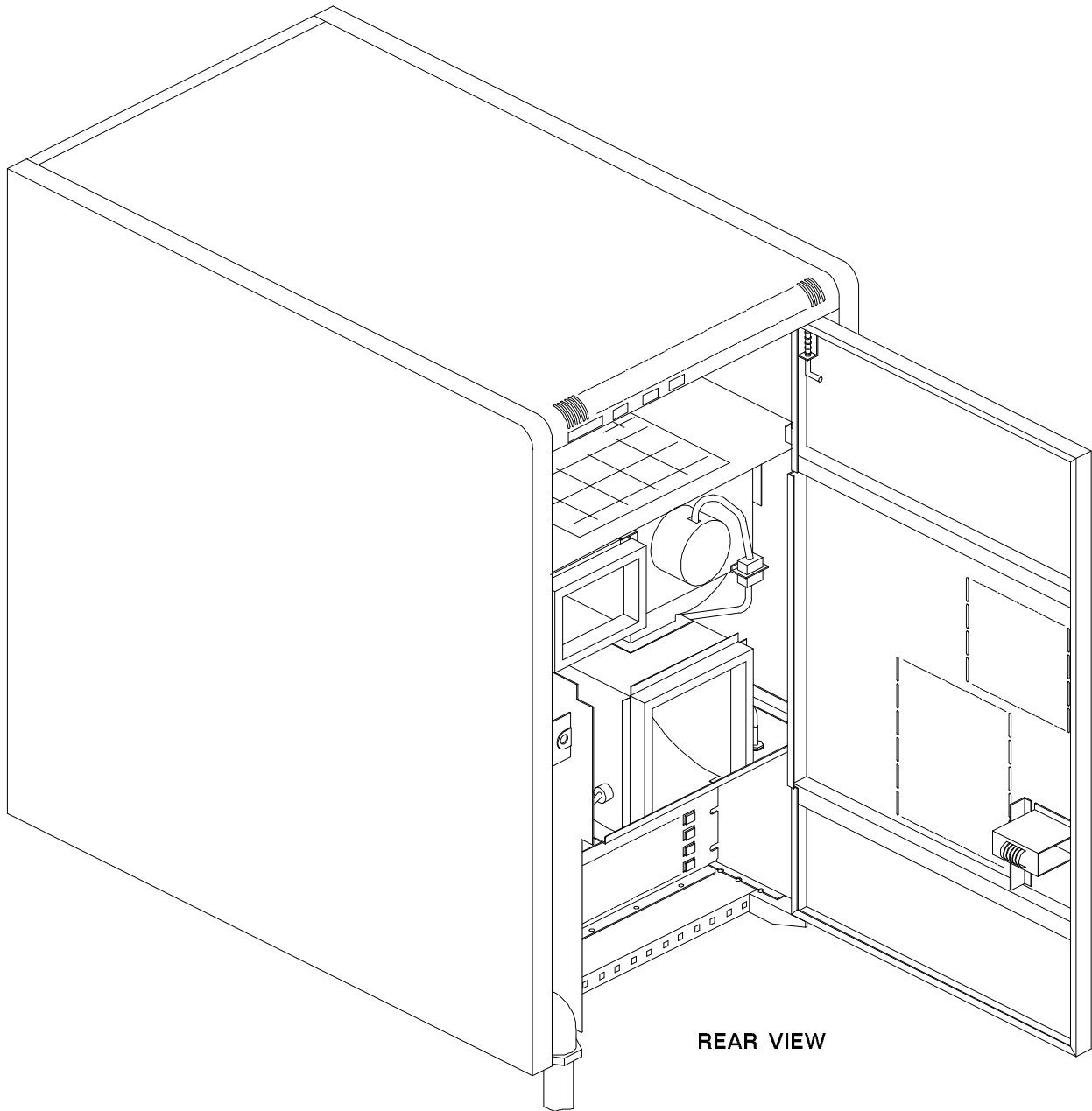
FIG. & ITEM NO.	DESCRIPTION	DEC PART NO. <sup>A</sup>	ECO CUT-IN HSC90 00000	USED ON CODE	REF FIG NO.
1-	CONTROLLER, HSC90 STORAGE				
	Code A - Used on HSC90-AA (120V 60 Hz)	HSC90-AA		A	
	Code B - Used on HSC90-AB (240V 50 Hz)	HSC90-AB		B	
	Code C - Used on HSC90-BA (120V 60 Hz)	HSC90-BA		C	
	Code D - Used on HSC90-BB (240V 50 Hz)	HSC90-BB		D	
1	*MECHANICAL ASSEMBLY, HSC TOP	70-23139-05		A	3
	*MECHANICAL ASSEMBLY, HSC TOP	70-23139-06		B	3
	*MECHANICAL ASSEMBLY, HSC TOP	70-23139-15		C	3
	*MECHANICAL ASSEMBLY, HSC TOP	70-23139-16		D	3
2	*Medallion, "HSC90"	74-38607-07			
3	*Nut, Wing	90-11008-01			
	PRINTERS (Not Shown)				
	*Printer, LA70	LA70-AA		AC	
	*Printer, LA70 or	LA70-AE		BD	
	*Printer, LA75	LA75-CA		AC	
	*Printer, LA75 (See IPB Manual EK-0LA75-IP)	LA75-AE		BD	
	*Basket, LA50 Paper (34-21346-01)	LA50X-FF			
	*Stand, Printer Desk (replaces PCXXF-CF)	LJ25X-DS			
	TERMINAL (Not Shown)				
	*Terminal, VT420 Mono Amber (USA)	VT420-CA		AC	
	*Terminal, Mono White (UK/Ireland)	VT420-AE		BD	
	MODULES (Not Shown)				
	*Module, J11 I/O Control Processor 18MHz	L0111-YC			
	*Module, M.STD4 (256KB Cntrl Mem, 3MB Prog. Mem, 512K Data Mem. & RZ33 Cntrl)	L0123-AA			
	*Module, K.PL12 (Port Processor)	L0124-00			
	*Module, PILA2 (Port Buffer)	L0125-00			
	*Module, L0118 w/CIX64 Compatability	L0118-YA			
	*Module, Blank	74-28263-01			
	LABELS (Not Shown)				
	*Label, Card Cage Module HSC60	36-21684-05			
	*Label, Cable Bar Code 2.2Inch x 0.9Inch	36-21711-15			
	*Label, Bar Code 1.80Inch x 0.75Inch	36-21711-13			
	*Label, FCC Class A	36-17880-03		AC	
	*Label, "Serial/Power Universal, Made in USA"	36-17674-38			

FIG. & ITEM NO.	DESCRIPTION	DEC PART NO. <sup>A</sup>	ECO CUT-IN HSC90 00000	USED ON CODE	REF FIG NO.
1-	<p style="text-align: center;"><b>CABLES (Not Shown)</b></p> <ul style="list-style-type: none"> <li>*Cable Assembly, PDP-11</li> <li>*Cable Assembly, Async 25 Ft Null Modem</li> <li>*Cord, Power (Central Europe) (See Note)</li> </ul> <p style="text-align: center;"><b>ACCESSORIES/OPTIONS (Not Shown)</b></p> <ul style="list-style-type: none"> <li>*KIT, K.SDI INTERFACE (to 4 SDI Disk Drives)</li> <li>**Module, Disk Data Channel</li> <li>*KIT, K.STI INTERFACE (to 4 STI Tape Formatters)</li> <li>**Module, Tape Data Channel</li> <li>*KIT, K.SI INTERFACE (to 4 SDI Disk Drives or 4 STI Tape Formatters)</li> <li>**Module, K.SI 4 Port SI Channel Controller</li> <li>*KIT, K.SI INTERFACE (to 8 SDI Disk Drives)</li> <li>**Module, K.SI 8 Port SI Channel Controller</li> <li>*KIT, HSC90 CACHE MEMORY OPTION</li> <li>**Module, 32 MB Read/Write-Through</li> <li>*Documentation, "HSC Installation Manual"</li> <li>*Kit, HSC Software Bin RX33</li> </ul> <p style="text-align: center;">NOTE: BN03A-2E Power Cord is used in place of BN02A-2E on VT220 &amp; LA75 for installation requiring 220V input.</p>	<ul style="list-style-type: none"> <li>70-08288-8F</li> <li>BC22D-25</li> <li>BN03A-2E</li>   <li>HSC5X-BA</li> <li>L0108-YA</li> <li>HSC5X-CA</li>   <li>L0108-YB</li> <li>HSC5X-DA</li>   <li>L0119-YA</li> <li>HSC9X-FA</li> <li>L0119-YB</li> <li>HSC9X-BA</li> <li>L0121-AA</li> <li>EK-HSCMN-IN</li> <li>QX926-H7</li> </ul>			



HSC96-02-IL

**Figure 2. Controller, HSC60 Storage (Sheet 1 of 2)**



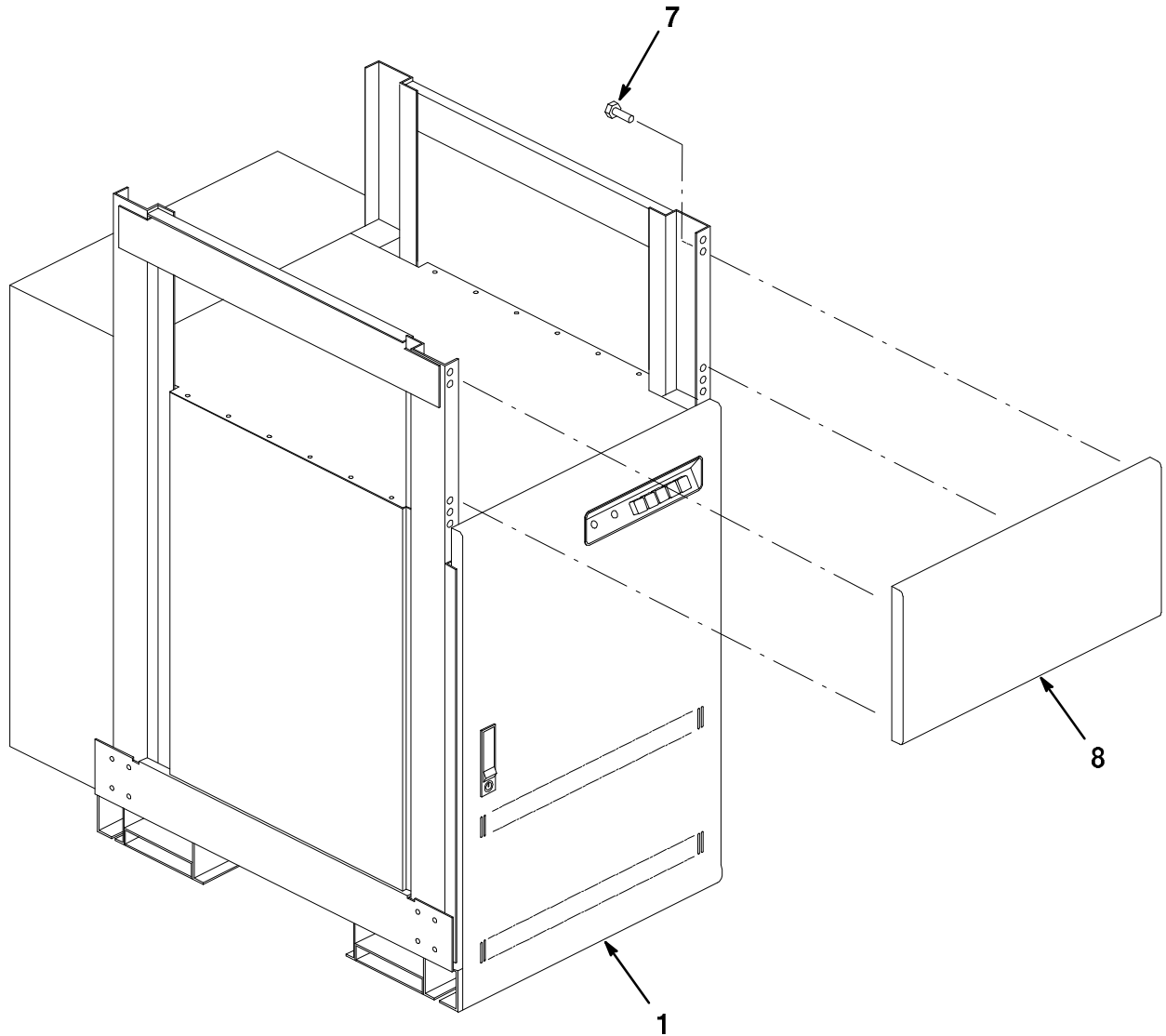
HSC96-02A-IL

**Figure 2. Controller, HSC60 Storage (Sheet 2 of 2)**



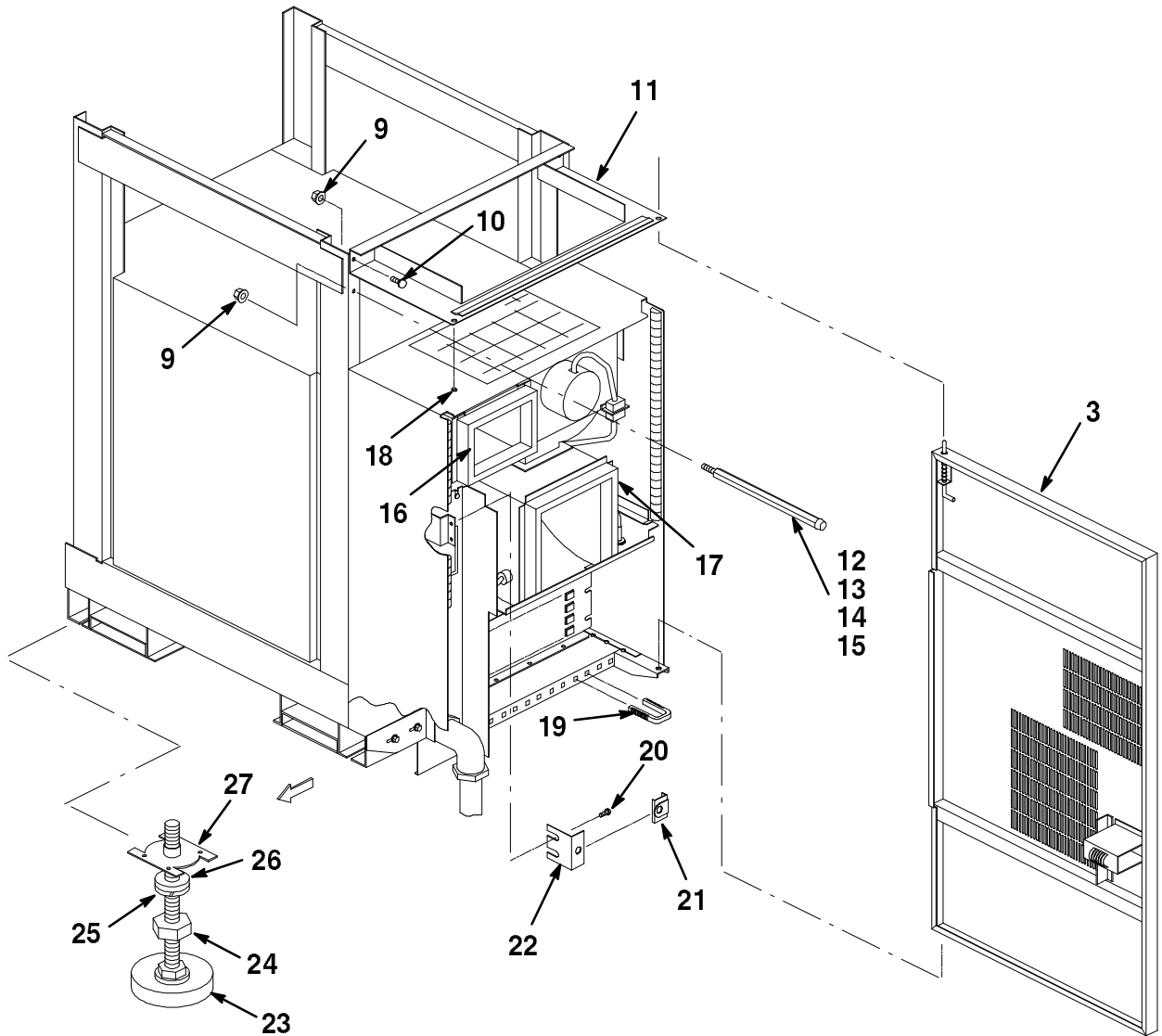
FIG.& ITEM NO.	DESCRIPTION	DEC PART NO. <sup>A</sup>	ECO CUT-IN HSC60 00000	USED ON CODE	REF FIG NO.
2-	CONTROLLER, HSC60 STORAGE				
	Code E - Used on HSC60-AA (120V 60 Hz)	HSC60-AA		E	
	Code F - Used on HSC60-AB (240V 50 Hz)	HSC60-AB		F	
	Code G - Used on HSC60-BA (120V 60 Hz)	HSC60-BA		G	
	Code H - Used on HSC60-BB (240V 50 Hz)	HSC60-BB		H	
1	*MECHANICAL ASSEMBLY, HSC TOP	70-23139-07		E	3
	*MECHANICAL ASSEMBLY, HSC TOP	70-23139-08		F	3
	*MECHANICAL ASSEMBLY, HSC TOP	70-23139-17		G	3
	*MECHANICAL ASSEMBLY, HSC TOP	70-23139-18		H	3
2	*Medallion, "HSC60"	74-38607-04			
3	*Nut, Wing	90-11008-01			
	PRINTERS (Not Shown)				
	*Printer, LA70	LA70-AA		EG	
	*Printer, LA70	LA70-AE		FH	
	or				
	*Printer, LA75 (See IPB Manual EK-0LA75-IP)	LA75-CA		EG	
	*Printer, LA75	LA75-AE			
	*Basket, LA50 Paper (34-21346-01)	LA50X-FF			
	*Stand, Printer Desk (replaces PCXXF-CF)	LJ25X-DS			
	TERMINAL (Not Shown)				
	*Terminal, VT420 Amber (USA)	VT420-CA		EG	
	*Terminal, VT420 White (UK/Ireland) (See IPB Manual EK-VT420-IP)	VT420-AE		FH	
	MODULES (Not Shown)				
	*Module, P.IOJ J11 PLCY Processor 18MHz	L0111-YD			
	*Module, M.STD4 (256KB Cntrl Mem, 3MB Prog. Mem, 512K Data Mem. & RZ33 Cntrl)	L0123-AA			
	*Module, K.PL12 (Port Processor)	L0124-00			
	*Module, PILA2 (Port Buffer)	L0125-00			
	*Module, L0118 x/CIX64 Compatability	L0118-YA			
	*Module, Blank	74-28263-01			
	LABELS (Not Shown)				
	*Label, "Card Cage Module HSC60"	36-21684-04			
	*Label, "Cable Bar Code 2.2Inch x 0.9 Inch"	36-21711-15			
	*Label, "Bar Code 1.8Inch x 0.75 Inch"	36-21711-13			
	*Label, "FCC Class A"	36-17880-03		EG	
	*Label, "Serial/Power Universal, Made in USA"	36-17674-38			

FIG. & ITEM NO.	DESCRIPTION	DEC PART NO. <sup>A</sup>	ECO CUT-IN HSC60 00000	USED ON CODE	REF FIG NO.
2-	<p style="text-align: center;"><b>CABLES (Not Shown)</b></p> <ul style="list-style-type: none"> <li>*Cable Assembly, PDP-11</li> <li>*Cable Assembly, Async 25Ft Null Modem</li> <li>*Cord, Power (See Note)</li> </ul> <p style="text-align: center;"><b>ACCESSORIES/OPTIONS (Not Shown)</b></p> <ul style="list-style-type: none"> <li>*KIT, K.SDI INTERFACE</li> <li>**Module, Disk Data Channel</li> <li>*KIT, K.STI INTERFACE</li> <li>**Module, Tape Data Channel</li> <li>*KIT, K.SI INTERFACE (to 4 SDI Disk Drives)</li> <li>*KIT, CACHE MEMORY OPTION</li> <li>**Module 32 MB Read/Write-Through</li> <li>*KIT, K.SI INTERFACE (to 8 SDI DISK DRIVES)</li> <li>**Module, K.IS 4 Port SI Channel Controller</li> <li>*Documentation, "HSC Installation Manual"</li> <li>*Kit, HSC Software BIn RX33</li> </ul> <p style="text-align: center;">NOTE: BN03A-2E Power Cord is used in place of BN02A-2E on VT220 &amp; LA75 for installation requiring 220V input.</p>	<ul style="list-style-type: none"> <li>70-08288-8F</li> <li>BC22D-25</li> <li>BN03A-2E</li>   <li>HSC5X-BA</li> <li>L0108-YA</li> <li>HSC5X-CA</li> <li>L0108-YB</li> <li>HSC5X-DA</li> <li>HSC9X-BA</li> <li>L0121-AA</li> <li>HSC9X-FA</li> <li>L0119-YB</li> <li>EK-HSCMN-IN</li> <li>QX926-H7</li> </ul>			



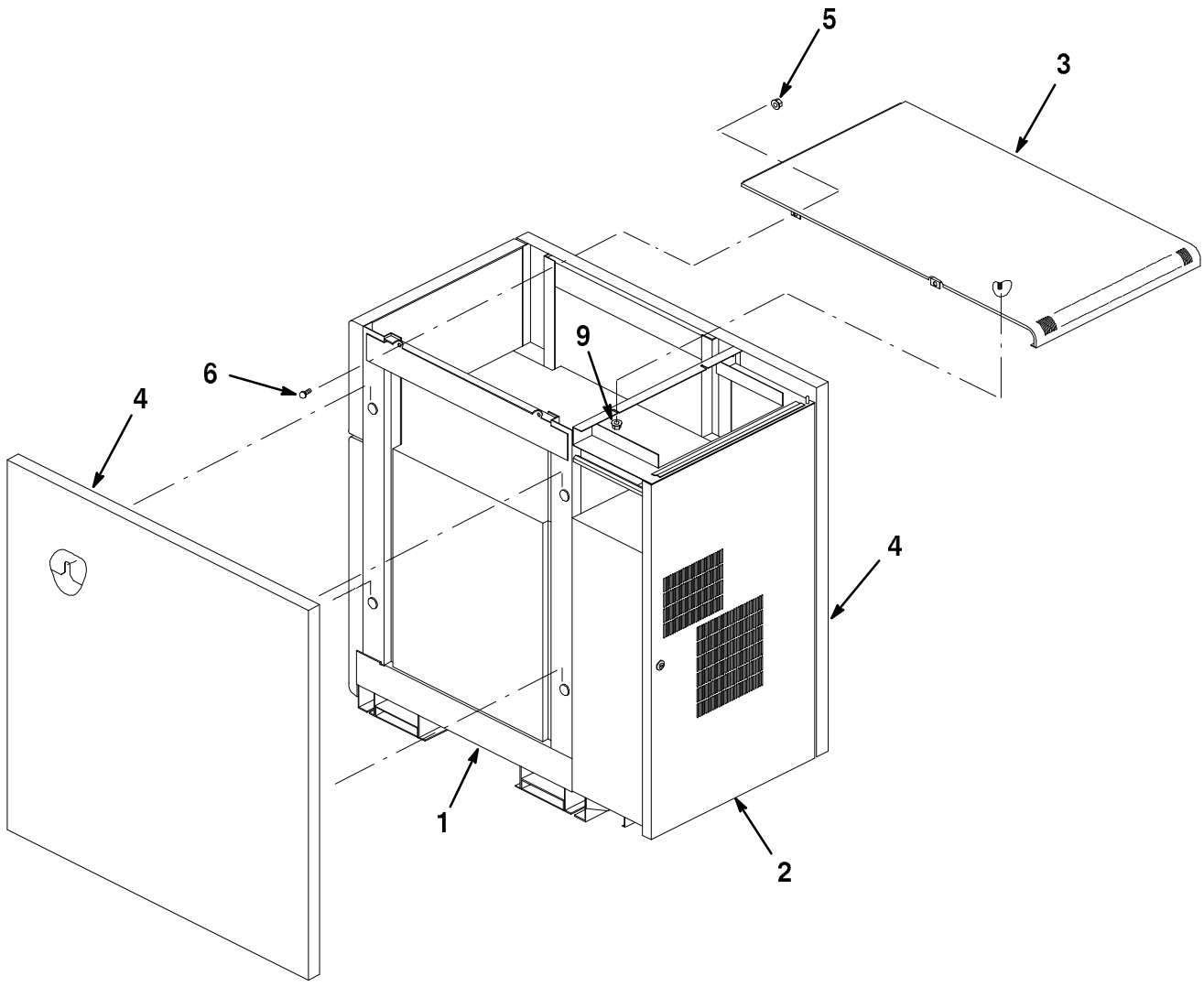
HSC96-03-IL

**Figure 3. Mechanical Assembly, Top (Sheet 1 of 3)**



HSC96-03A-IL

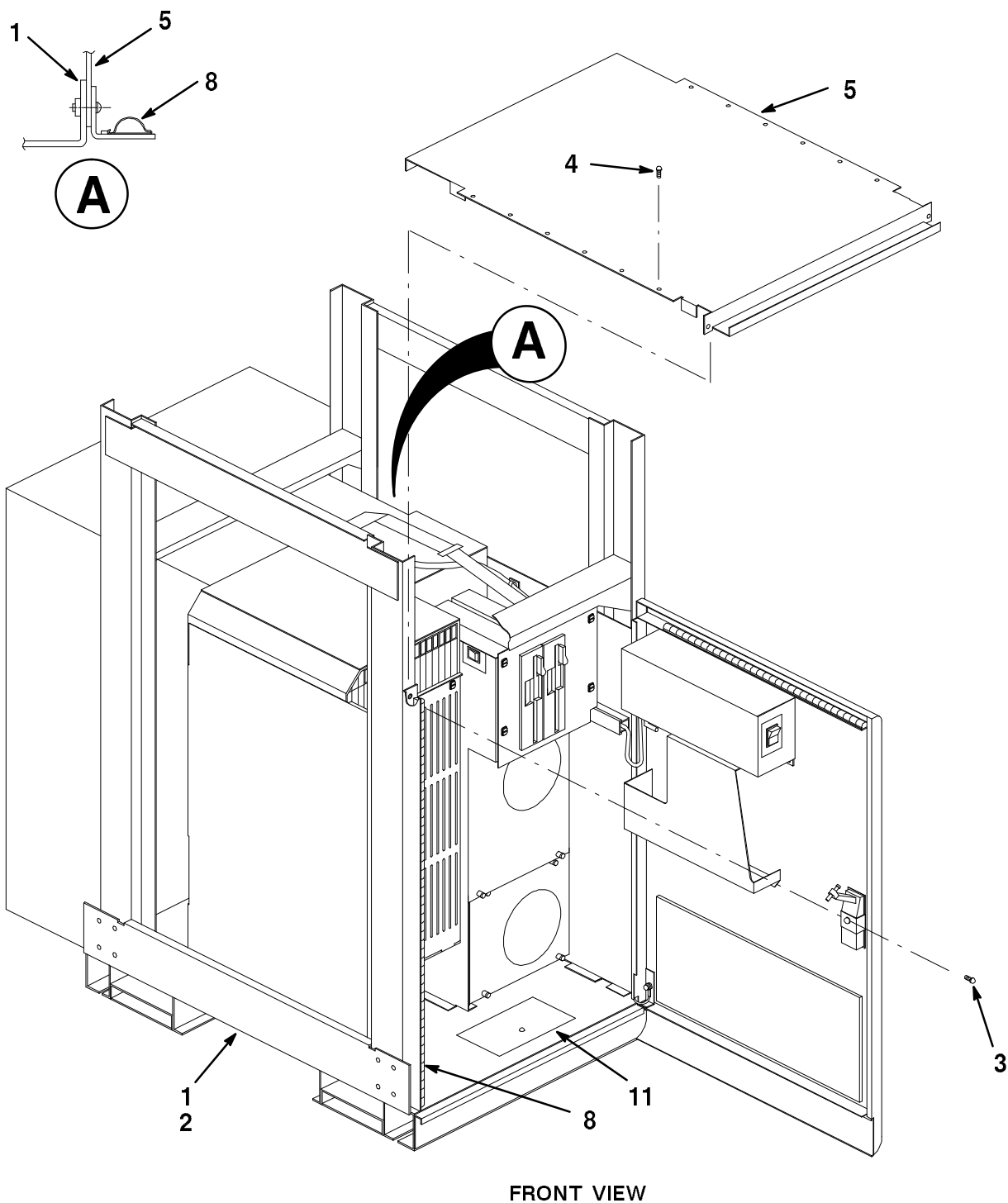
Figure 3. Mechanical Assembly, Top (Sheet 2 of 3)



HSC96-03B-IL

**Figure 3. Mechanical Assembly, Top (Sheet 3 of 3)**

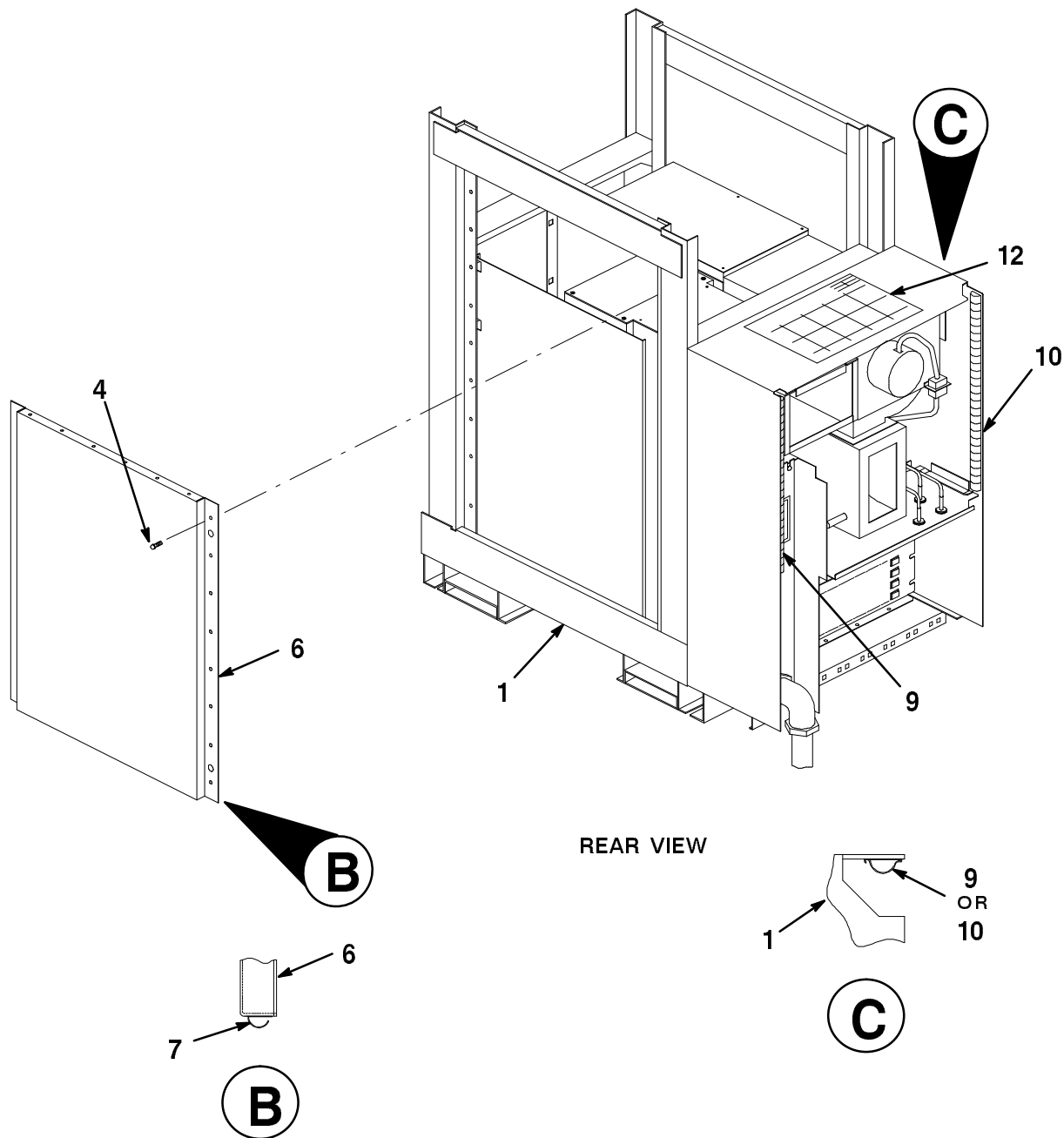
FIG.& ITEM NO.	DESCRIPTION	DEC PART NO.	ECO CUT-IN 70-23139 00000	USED ON CODE	REF FIG NO.
3-	MECHANICAL ASSEMBLY, HSC TOP	70-23139-05		A	1
	MECHANICAL ASSEMBLY, HSC TOP	70-23139-06		B	1
	MECHANICAL ASSEMBLY, HSC TOP	70-23139-07		E	2
	MECHANICAL ASSEMBLY, HSC TOP	70-23139-08		F	2
	MECHANICAL ASSEMBLY, HSC TOP	70-23139-15		C	1
	MECHANICAL ASSEMBLY, HSC TOP	70-23139-16		D	1
	MECHANICAL ASSEMBLY, HSC TOP	70-23139-17		G	2
	MECHANICAL ASSEMBLY, HSC TOP	70-23139-18		H	2
1	*CABINET/SHIELD ASSEMBLY (120V 60 Hz)	70-23126-05		A	4
	*CABINET/SHIELD ASSEMBLY (240V 50 Hz)	70-23126-06		B	4
	*CABINET/SHIELD ASSEMBLY (120V 60 Hz)	70-23126-07		E	4
	*CABINET/SHIELD ASSEMBLY (240V 50 Hz)	70-23126-08		F	4
	*CABINET/SHIELD ASSEMBLY (120V 60 Hz)	70-23126-15		C	4
	*CABINET/SHIELD ASSEMBLY (240V 50 Hz)	70-23126-16		D	4
	*CABINET/SHIELD ASSEMBLY (120V 60 Hz)	70-23126-17		G	4
	*CABINET/SHIELD ASSEMBLY (240V 50 Hz)	70-23126-18		H	4
2	*DOOR ASSEMBLY, REAR	70-23125-01			16
3	*Cover Weldment, Top	70-19675-01			
4	*PANEL ASSEMBLY, END (40 INCH)	70-19083-01			14
5	*Nut, Kep No. 8-32	90-06563-00			
6	*Screw, Phi Pan Hd No. 8-32 x 3/8	90-06037-01			
7	*Screw, Sems Hex Slot Hd No. 10-16 x 1/2	90-00049-73			
8	*Bezel Assembly (10-1/2 Inch)	70-23906-01			
9	*Nut, Kep No. 10-32	90-06565-00			
10	*Screw, Self-Tap Truss Hd No. 10-32 x 1/2	90-00063-39			
11	*Bracket Weldment, Rear Vent Support	70-19674-01			
12	*STOP ASSEMBLY, DOOR	70-19088-01			
13	**Standoff, Male/Female No. 6-32	12-19713-01			
14	**Bumper, Screw Mount Rubber	90-09168-00			
15	**Screw, Sems Phi Pan Hd No. 6-32 x 3/8	90-06022-01			
16	*Gasket, Rear Door	74-33501-01			
17	*Gasket, Rear Door (Bottom)	74-33501-02			
18	*Plug, Button (White Nylon)	90-10648-02			
19	*Clamp, SI Cable	74-33488-01			
20	*Screw, Sems Phi Pan Hd No. 10-32 x 11/32	12-21368-03			
21	*Spring, Receptacle Fastener 1/4 Turn	12-12972-02			
22	*Bracket, Rear Lock	74-27182-01			
23	*Foot, Leveler	90-07601-01			
24	*Nut, Hex No. 1/2 x 13	90-06596-00			
25	*Washer, Split Lock	90-09895-00			
26	*Washer, Flat	90-09026-00			
27	*Nut, Tee No. 1/2-13	90-08878-00			



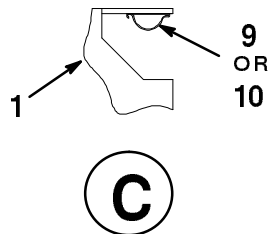
FRONT VIEW

HSC96-04-IL

Figure 4. Cabinet/Shield Assembly (Sheet 1 of 2)



REAR VIEW



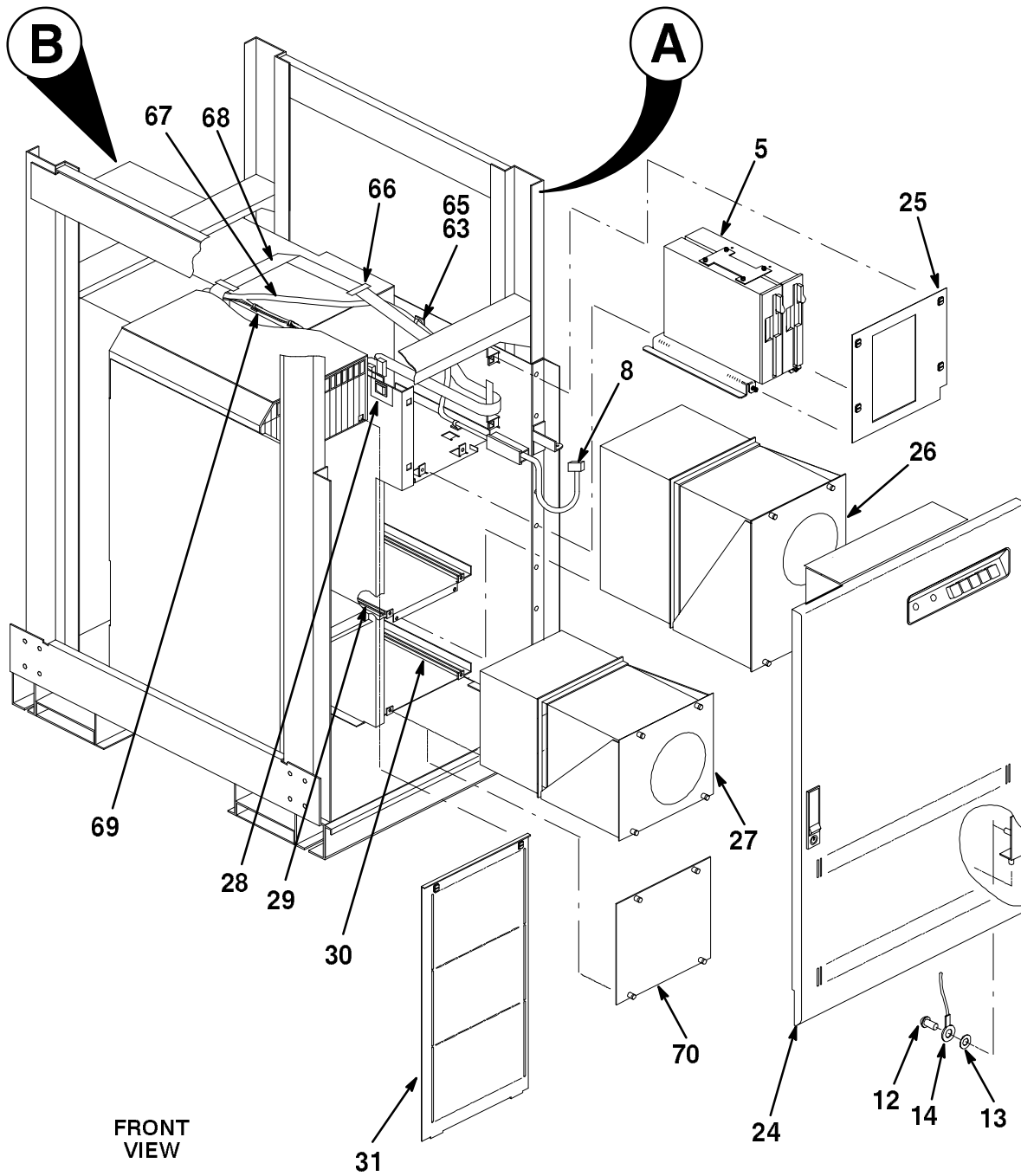
HSC96-04A-IL

Figure 4. Cabinet/Shield Assembly (Sheet 2 of 2)



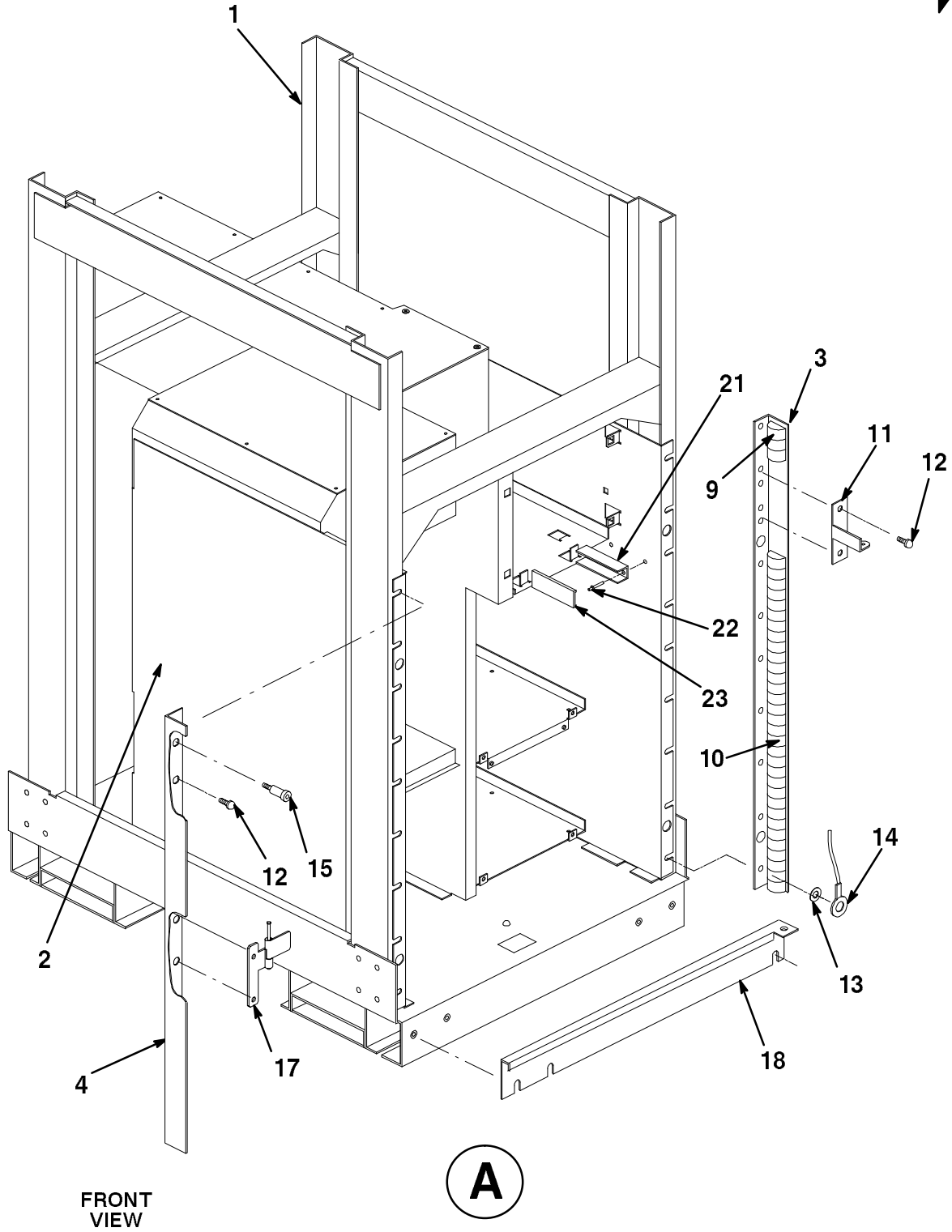
FIG. & ITEM NO.	DESCRIPTION	DEC PART NO.	ECO CUT-IN HSC70 00012	USED ON CODE	REF FIG NO.
4-	CABINET/SHIELD ASSEMBLY (120V 60 Hz)	70-23126-05		A	3
	CABINET/SHIELD ASSEMBLY (240V 50 Hz)	70-23126-06		B	3
	CABINET/SHIELD ASSEMBLY (120V 60 Hz)	70-23126-07		E	3
	CABINET/SHIELD ASSEMBLY (240V 50 Hz)	70-23126-08		F	3
	CABINET/SHIELD ASSEMBLY (120V 60 Hz)	70-23126-15		C	3
	CABINET/SHIELD ASSEMBLY (240V 50 Hz)	70-23126-16		D	3
	CABINET/SHIELD ASSEMBLY (120V 60 Hz)	70-23126-17		G	3
	CABINET/SHIELD ASSEMBLY (240V 50 Hz)	70-23126-18		H	3
1	*CABINET/MODULE ASSEMBLY (120V 60 Hz)	70-23127-01		A	
	*CABINET/MODULE ASSEMBLY (240V 50 Hz)	70-23127-02		B	
	*CABINET/MODULE ASSEMBLY 1 P.S.(60 Hz)	70-23127-03		A	
	*CABINET/MODULE ASSEMBLY 1 P.S.(50 Hz)	70-23127-04		B	
2	**CABINET ASSEMBLY (120V 60 Hz)	70-23128-01		A	5
	**CABINET ASSEMBLY (240V 50 Hz)	70-23128-02		B	5
3	*Screw, Sems Phi Pan Hd No. 10-32 x 5/8	12-21368-02			
4	*Screw, Sems Phi Pan Hd No. 10-32 x 11/32	12-21368-03			
5	*Shield, Top Cover	74-27100-01			
6	*Shield, Side	74-27098-01			
7	*Shield, EMI/RFI, 68 Contacts, Adhesive	12-16007-06			
8	*Shield, EMI/RFI, 68 Contacts, Adhesive	12-20580-19			
9	*Shield, EMI/RFI, 34 Contacts, Adhesive	12-20580-13			
10	*Shield, EMI/RFI, 43 Contacts, Adhesive	12-20580-14			
11	*Label, "Warning, Air Inlet"	36-21683-01			
12	*Label, "Rear Door I/O, HSC70"	36-21686-02			
	MODULES (Not Shown) (See Note)				
	**Blank, Module	74-28263-01			
	**Module, J-11 I/O Processor	L0111-00			
	**Module, HSC70 Standard Memory	L0117-AA			
	**Module, HSC50 K.PL (PLI Port Control)	L0107-YA			
	**Module, HSC50 PILA (Packet Buffer Board)	L0109-00			
	**Module, Interprocessor Link Interface	L0100-00			
	NOTE: These modules are included in Cabinet/Module Assembly, Item 1.				

THIS PAGE INTENTIONALLY LEFT BLANK



HSC96-05-IL

Figure 5. Cabinet Assembly (Sheet 1 of 8)

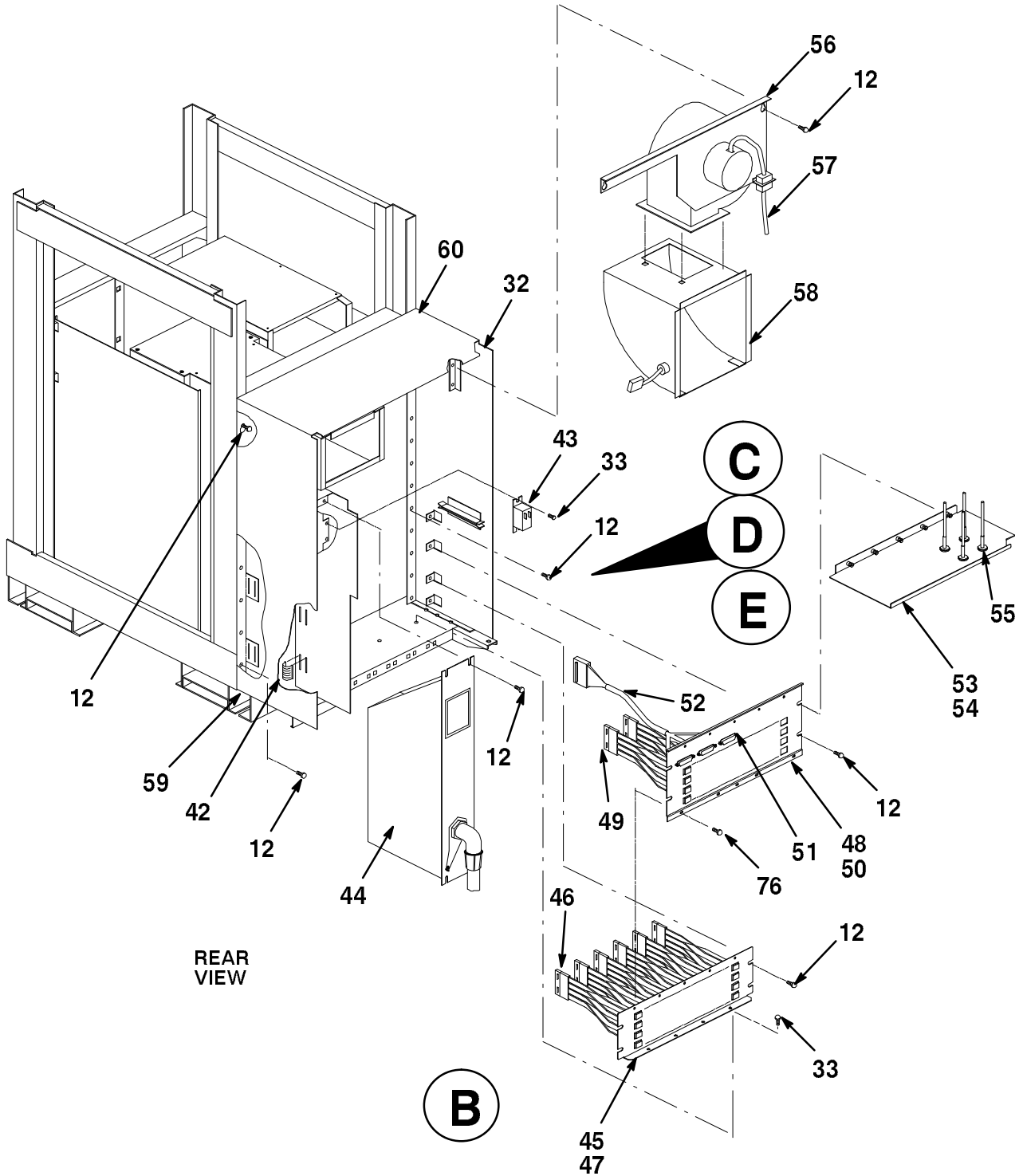


FRONT  
VIEW

A

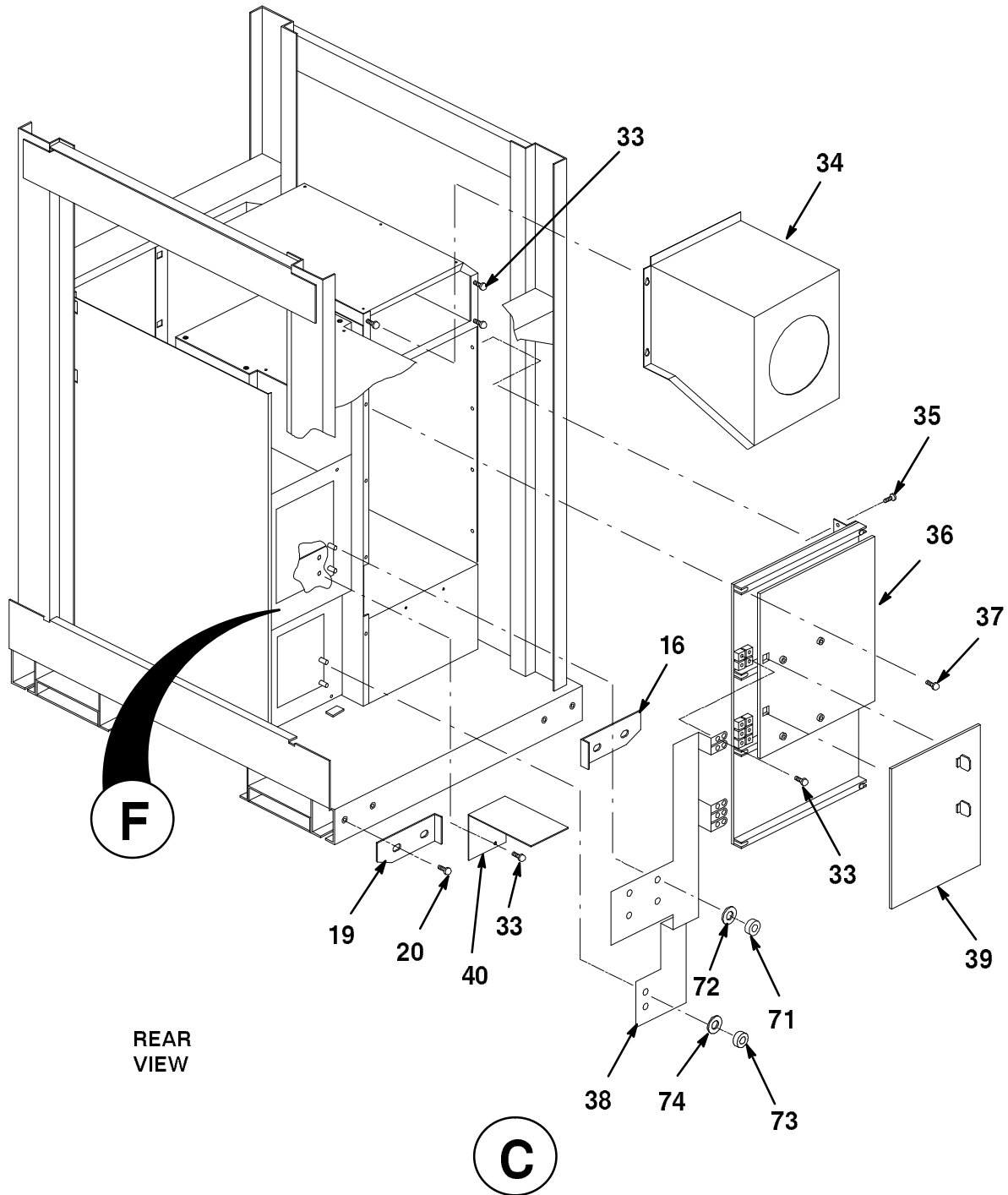
HSC96-05A-IL

Figure 5. Cabinet Assembly (Sheet 2 of 8)



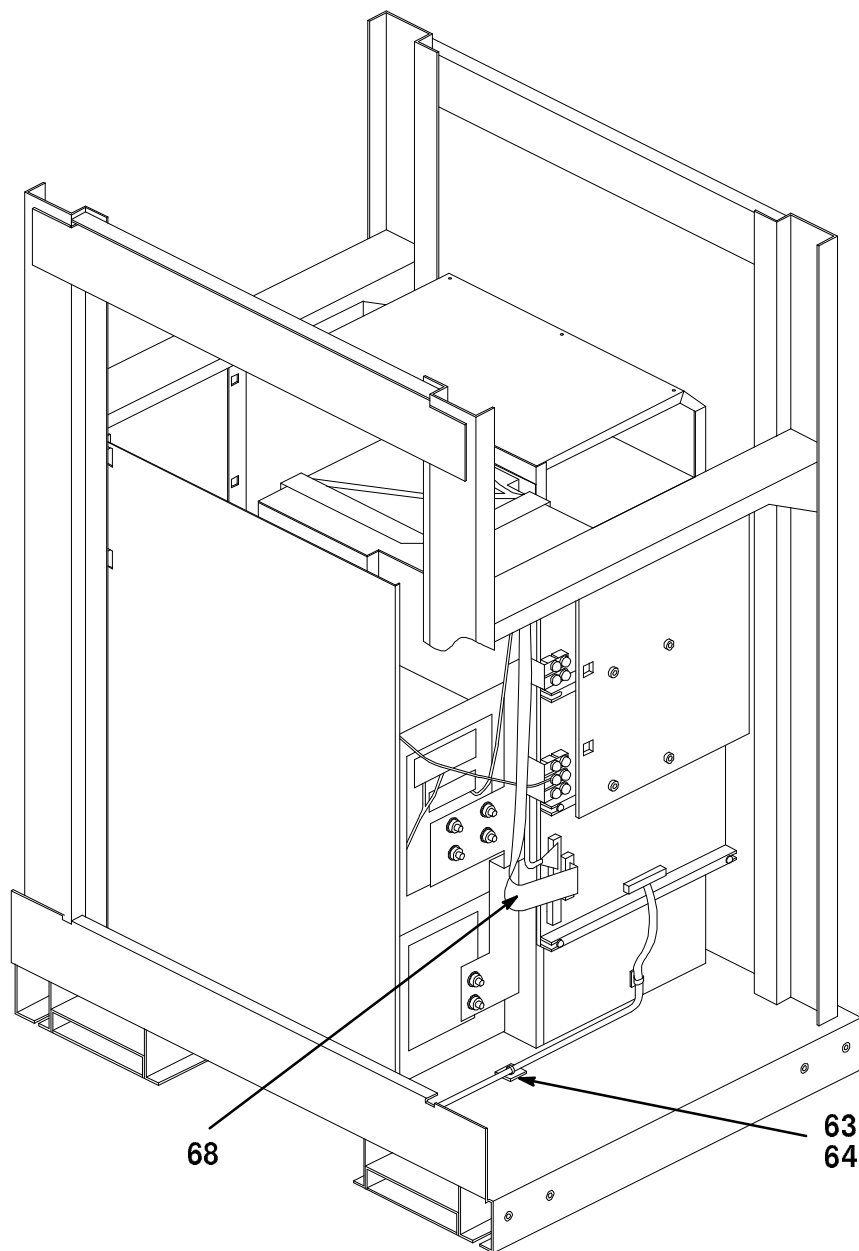
HSC96-05B-IL

Figure 5. Cabinet Assembly (Sheet 3 of 8)

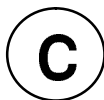


HSC96-05C-IL

Figure 5. Cabinet Assembly (Sheet 4 of 8)

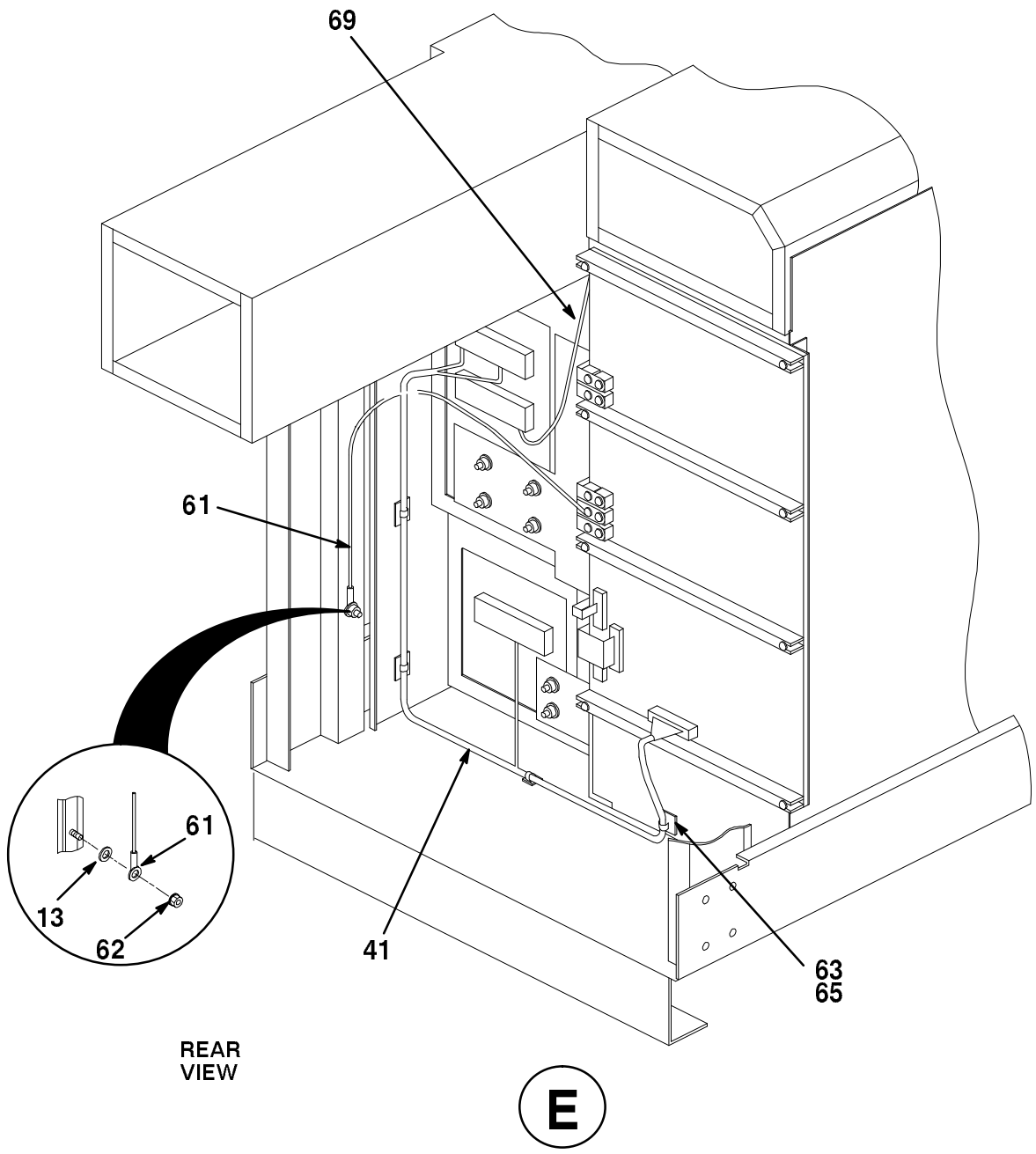


REAR  
VIEW



HSC96-05D-IL

**Figure 5. Cabinet Assembly (Sheet 5 of 8)**

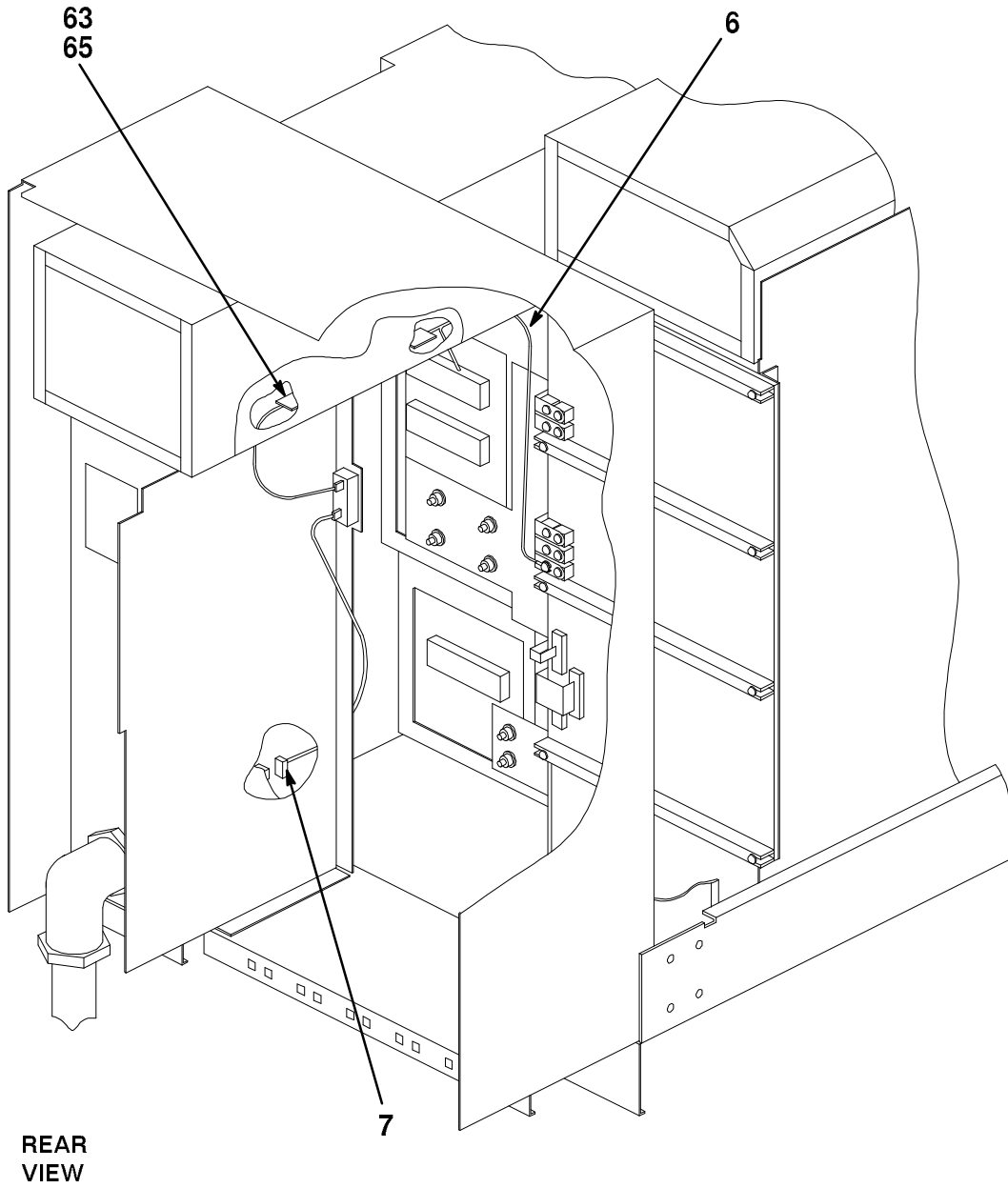


REAR  
VIEW

HSC96-05E-IL

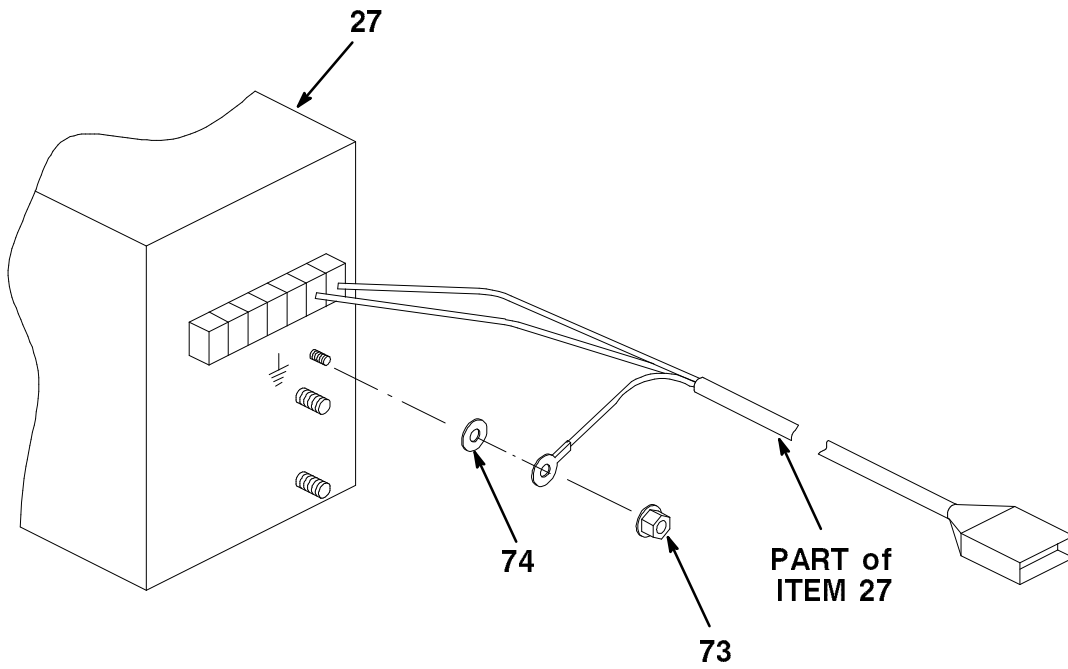
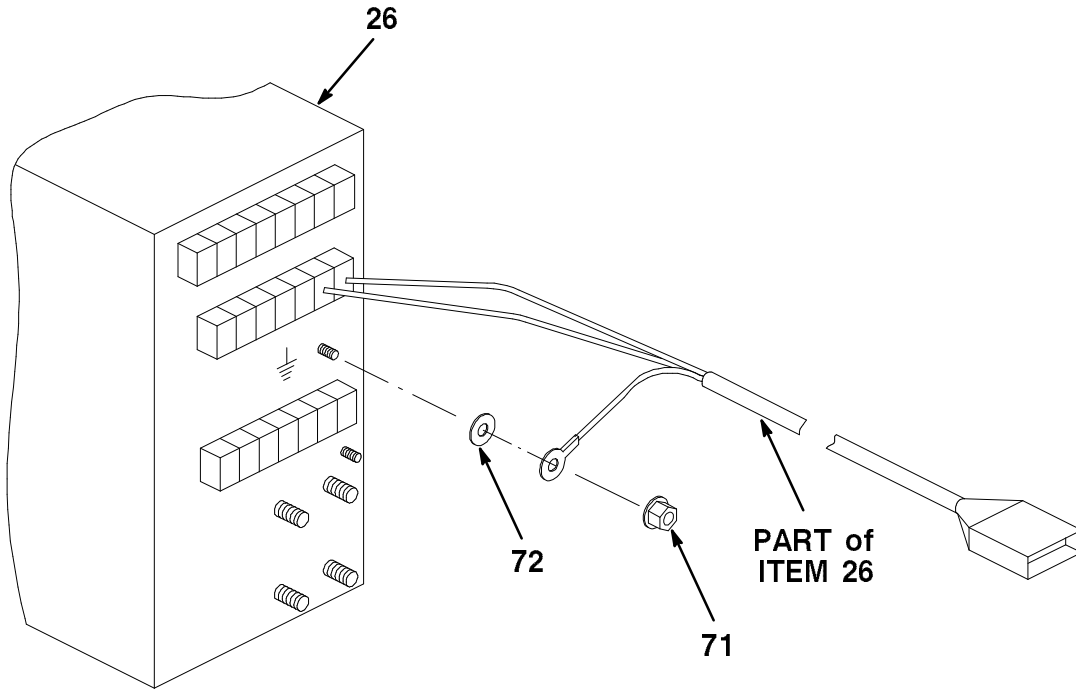
**Figure 5. Cabinet Assembly (Sheet 6 of 8)**





HSC96-05F-IL

**Figure 5. Cabinet Assembly (Sheet 7 of 8)**



**F**

HSC96-05F-IL

Figure 5. Cabinet Assembly (Sheet 8 of 8)

FIG.& ITEM NO.	DESCRIPTION	DEC PART NO.	E ECO CUT-IN HSC70 00012A	USED ON CODE	REF FIG NO.
5-	CABINET ASSEMBLY (120V 60 Hz)	70-23128-01		A	4
	CABINET ASSEMBLY (240V 50 Hz)	70-23128-02		B	4
	CABINET ASSEMBLY (120V 60 Hz)	70-23128-03		A	4
	CABINET ASSEMBLY (240V 50 Hz)	70-23128-04		B	4
1	*FRAME ASSEMBLY	70-20031-01			6
2	*Chassis Assembly, Riveted	70-23137-01			
3	*Shield, Front (RH)	74-26906-01			
4	*Shield, Front (LH)	74-31953-01			
5	*FLOPPY DRIVE/BRACKET ASSEMBLY	70-23129-01			7
6	*Cable Assembly, Airflow Sensor	17-01275-01			
7	*Cable Assembly, Relay to Power Controller Airflow Sensor	17-01231-01			
8	*Cable Assembly No. 2, DC On/Off Auxiliary Power Supply	70-20199-01			
9	*Shield, EMI/RFI, 8 Contacts	12-20580-08			
10	*Shield, EMI/RFI, 57 Contacts	12-20580-17			
11	*Bracket, Front Door Pivot	74-31917-01			
12	*Screw, Sems Phi Pan Hd No. 10-32 x 5/8	12-21368-02			
13	*Washer, Lock	90-06636-00			
14	*Strap, Ground	12-13756-12			
15	*Stop, Front Door	70-22480-01			
16	*Bracket, End Panel Lock (RH)	74-27514-01			
17	*Bracket, Front Door Lock	74-31915-01			
18	*Bracket, Shield Front, Lower	74-31916-01			
19	*Bracket, End Panel Lock (LH)	74-27514-02			
20	*Screw, Sems Slotted Hex No. 1/4-20 x 3/4	90-09988-14			
21	*Duct, Wiring	12-21394-04			
22	*Rivet, Blind Binder	90-10413-02			
23	*Cover, Wiring Duct	12-21394-04			
24	*DOOR/OCP ASSEMBLY, FRONT	70-23130-01			10
25	*Plate, Floppy Drive Cover	74-31829-01			
26	*POWER SUPPLY ASSEMBLY, STANDARD (120V 60 Hz)	70-20033-03		A	8
	*POWER SUPPLY ASSEMBLY, STANDARD (240V 50 Hz)	70-20033-04		B	8
27	*POWER SUPPLY ASSEMBLY, AUXILIARY (120V 60 Hz)	70-20184-01		A	9
	*POWER SUPPLY ASSEMBLY, AUXILIARY (240V 50 Hz)	70-20184-02		B	9
28	*Switch, Rocker, Mini, On-Off (.5V 28V)	12-25435-01			
29	*Guide, Nylon Card (Brown-Red)	12-17010-05			
30	*Guide, Nylon Card (Brown-Red)	12-17010-06			
31	*Plate, Card Cage Cover	74-26888-01			
32	*Frame Weldment Assembly, Extender	70-22488-01			
33	*Screw, Sems Phi Hd No. 6-32 x 3/8	90-09984-00			
34	*Inlet Weldment Assembly, Blower	70-19251-01			

FIG. & ITEM NO.	DESCRIPTION	DEC PART NO.	E ECO CUT-IN HSC70 00012A	USED ON CODE	REF FIG NO.
5-					
35	*Screw, Sems Phi Pan Hd No. 10-32 x 3/4	12-21368-03			
36	*Backplane Prep Assembly	70-23136-01			
37	*Screw, Sems Phi Pan Hd No. 6-32 x 1-1/8	12-21368-01			
38	*Circuit, Flex-Bus Power	17-01265-01			
39	*Cover, Jumper Bar	74-32314-01			
40	*Baffle, Front	74-26885-01			
41	*Harness Assembly, Backplane to Power Supply Interconnect	17-01266-01			
42	*Shield, Spring	74-26725-01			
43	*Relay, 12V Coil 100mA	12-20996-01			
44	*Controller Assembly, Power (120V 3-Phase 9 Out)	30-24374-01		A	
	*Controller Assembly, Power (240V 3-Phase 9 Outlet)	30-24374-02		B	
45	*I/O BULKHEAD ASSEMBLY, BOTTOM	70-23135-01			
46	**Cable Assembly, Shielded Coax	17-00958-01			
47	**Bulkhead, I/O Bottom	74-31827-01			
48	*I/O BULKHEAD ASSEMBLY, TOP	70-23134-01			
49	**Cable Assembly, Shielded Coax	17-00958-01			
50	**Bulkhead, I/O Top	74-31828-01			
51	**Screw, Assembly, Hex WW Female No. 4-40 x 5/16	12-15243-00			
52	**Harness Assembly, Wire	17-01267-01			
53	*CABLE ASSEMBLY, REAR SHIELD/CI	70-23140-01			
54	**Shield, Rear Bottom	74-31914-01			
55	**Cable Assembly, CI Connector	17-00717-01			
56	*Blower, Centrifugal, 200 CFM 120V AC	12-18828-00			
57	*Cable Assembly, Blower AC Line	17-01276-03		A	
	*Cable Assembly, Blower AC Line	17-01276-02		B	
58	*DUCT ASSEMBLY, OUTLET	70-23219-01			15
59	*Shield, EMI/RFI, 68 Contacts	12-16007-06			
60	*Shield, EMI/RFI, 45 Contacts	12-20580-15			
61	*Strap, Ground	12-13756-28			
62	*Nut, Kep No. 10-32 x 3/8	90-06565-00			
63	*Tie, Bundle Cable	90-07031-00			
64	*Mount, Adhesive Back Cable Tie	90-08264-00			
65	*Holder, Cable Tie	12-22992-01			
66	*Clip, Snap-In Flat Cable	12-22950-02			
67	*Cable Assembly, OCP/Backplane	17-01215-01			
68	*Cable Assembly, Floppy Signal	17-01167-01			
69	*Cable Assembly, DC On/Off Switch	17-01231-02			

FIG.& ITEM NO.	DESCRIPTION	DEC PART NO.	ECO CUT-IN HSC70 00012A	USED ON CODE	REF FIG NO.	
5-	70	*Plate, Blank Front	74-26567-01	B		
	71	*Nut, Hex Ext. Tooth Lock Washer No. 1/4-20	90-08203-00			
	72	*Washer, Flat	90-06676-00			
	73	*Nut, Hex Ext. Tooth Lock Washer No. 5/16 x 18	90-06568-00			
	74	*Washer, Flat	90-06679-00			
	LABELS (Not Shown)					A
		*Labels, "Card Cage Module"	36-21684-02			
		*Labels, "Serial/Power w/UL & CSA Logos"	36-17674-01			
		*Label, "FCC, Class A Peripheral"	36-17880-03			
		*Label, "Card Cage"	36-21758-02			
		*Label, "DC Power"	36-25418-01			

THIS PAGE INTENTIONALLY LEFT BLANK

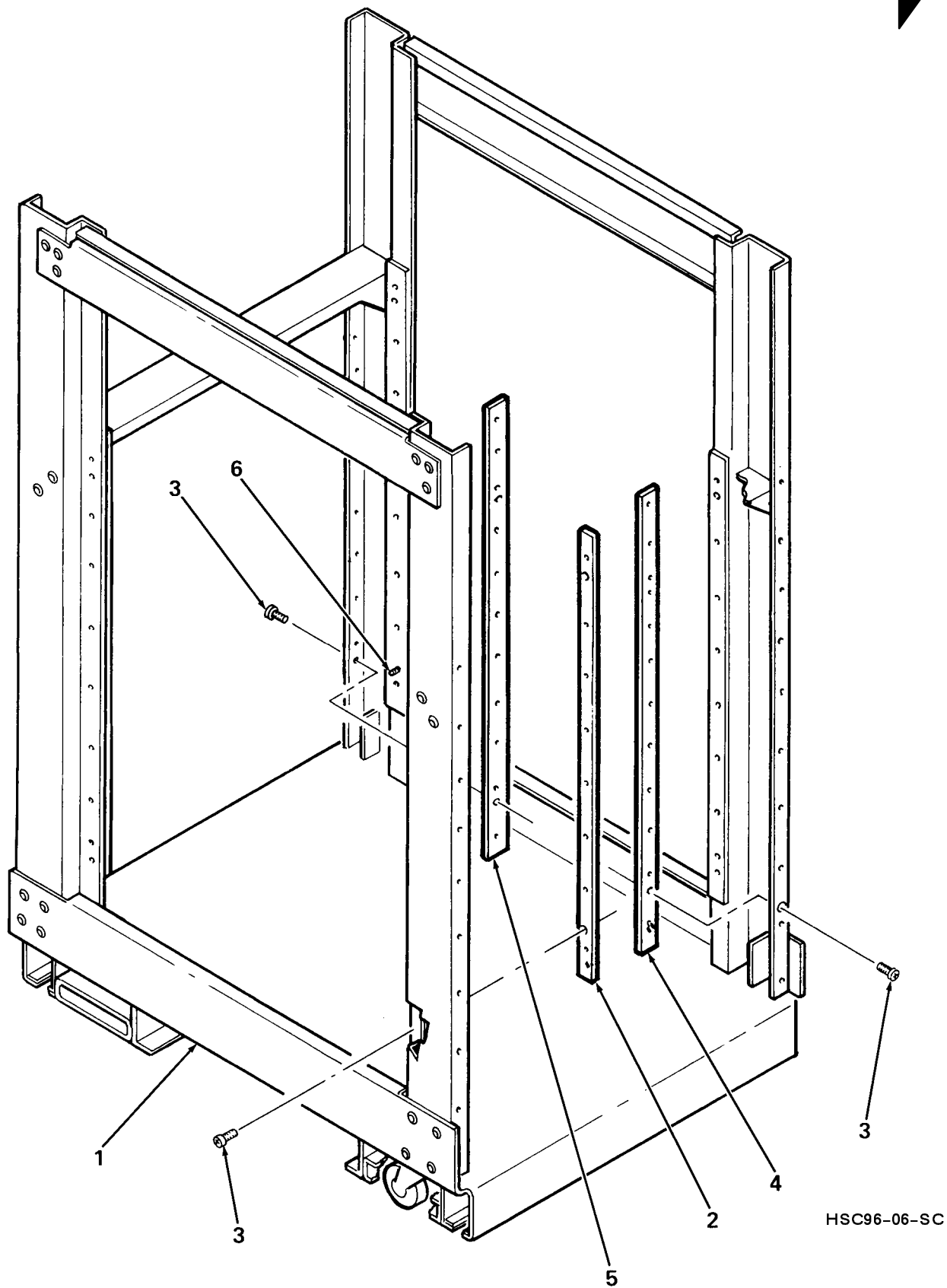
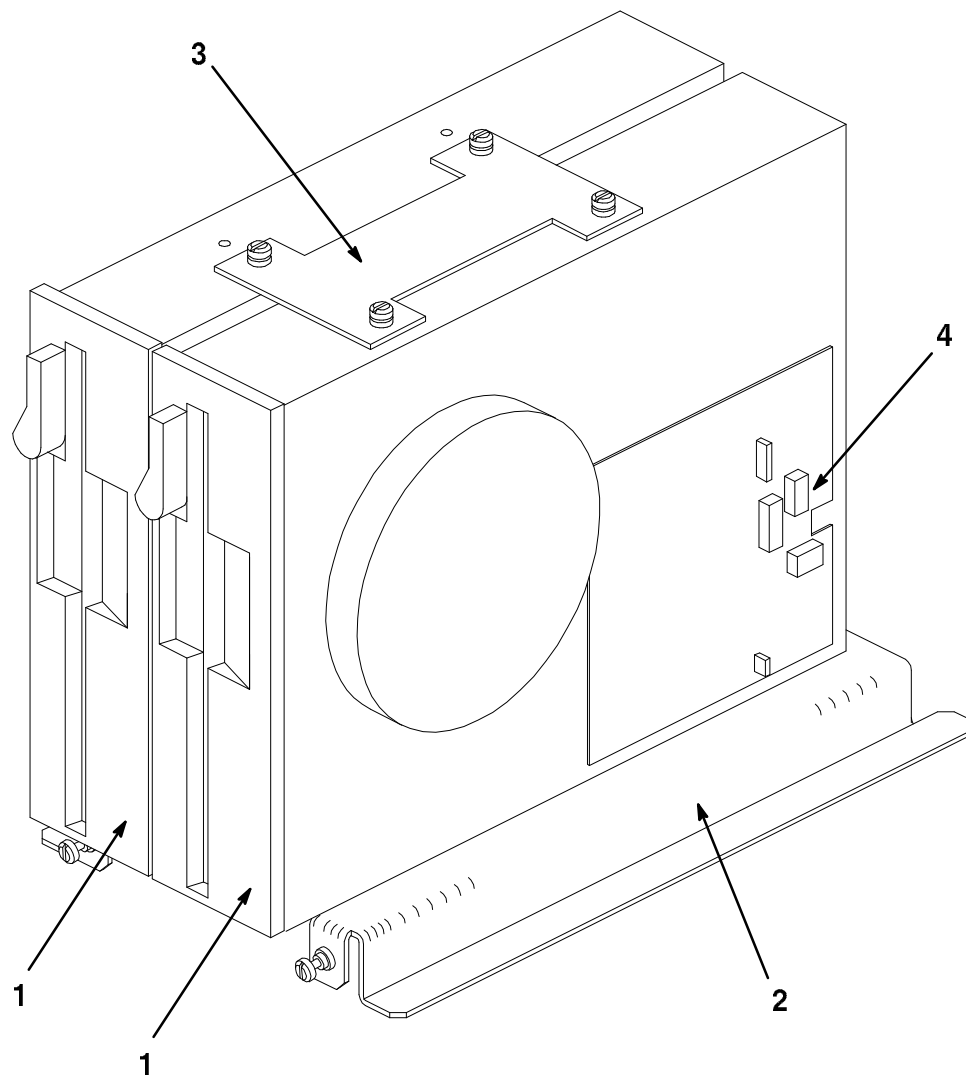


Figure 6. Frame Assembly

FIG. & ITEM NO.	DESCRIPTION	DEC PART NO.	B ECO CUT-IN 70-20031 00001	USED ON CODE	REF FIG NO.
6-	FRAME ASSEMBLY	70-20031-01			5
1	* Frame Assembly	70-20193-01			
2	* Bar, Nut	74-27099-01			
3	* Screw, Sems Phi Pan Hd No. 10-32 x 9/32	12-21368-04			
4	* Bar, Front Nut	74-28326-01			
5	* Bar, Rear Nut	74-28327-01			
6	* Screw, Sems Phi Pan Hd No. 10-32 x 5/8	12-21368-04			



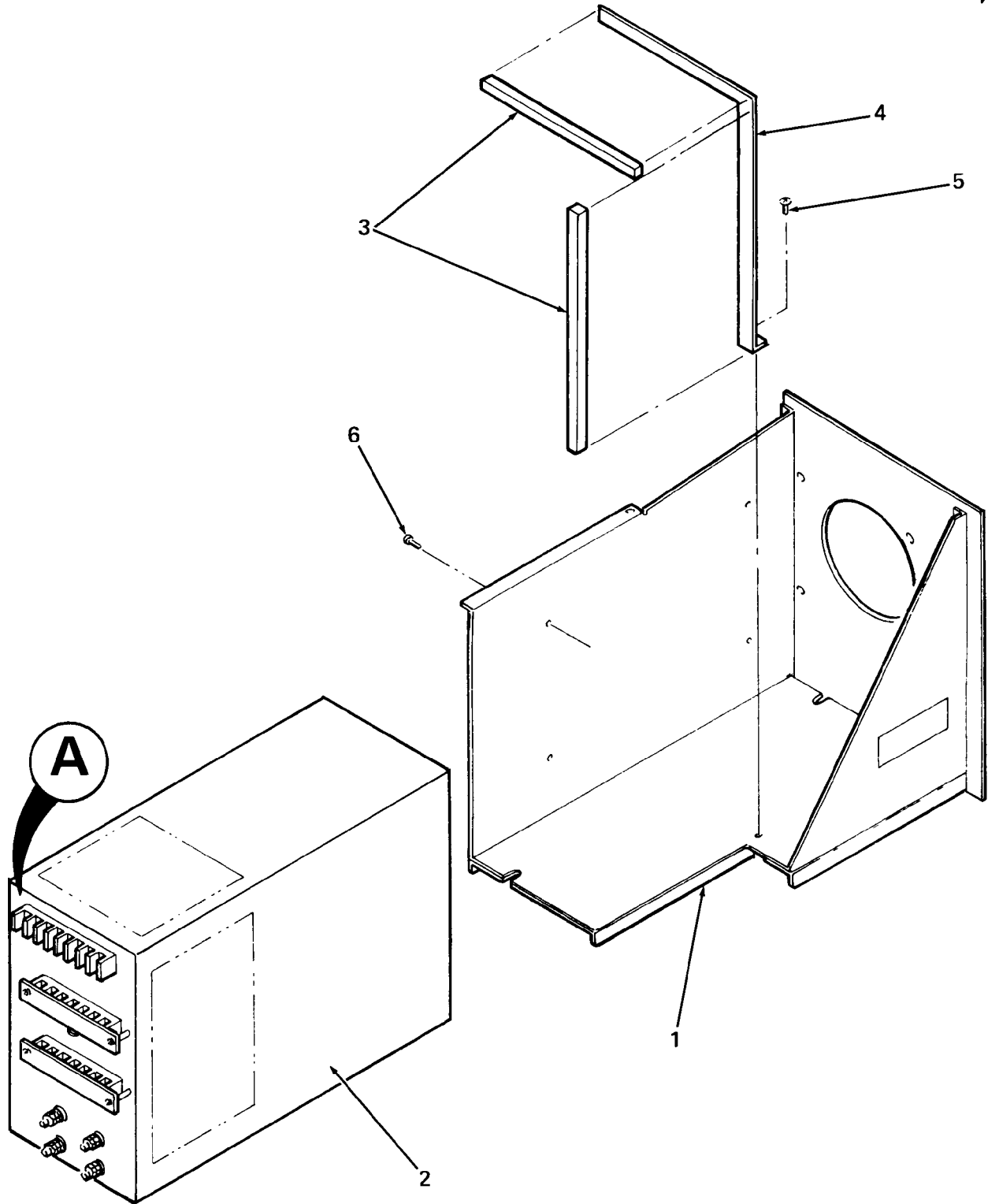
FIG. & ITEM NO.	DESCRIPTION	DEC PART NO.	ECO CUT-IN 70-23129 00000	USED ON CODE	REF FIG NO.
7-	FLOPPY DRIVE/BRACKET ASSEMBLY	70-23129-01			5
1	*RX33 FLOPPY DRIVE (See IPB Manual EK-0RX33-IP)	RX33-A			
2	*Bracket, RH Drive Mounting	74-31918-01			
3	*Bracket, Top Drive Mounting	74-32305-01			
4	*Connector, 2 Position Jumper	12-18783-00			



HSC96-07-IL

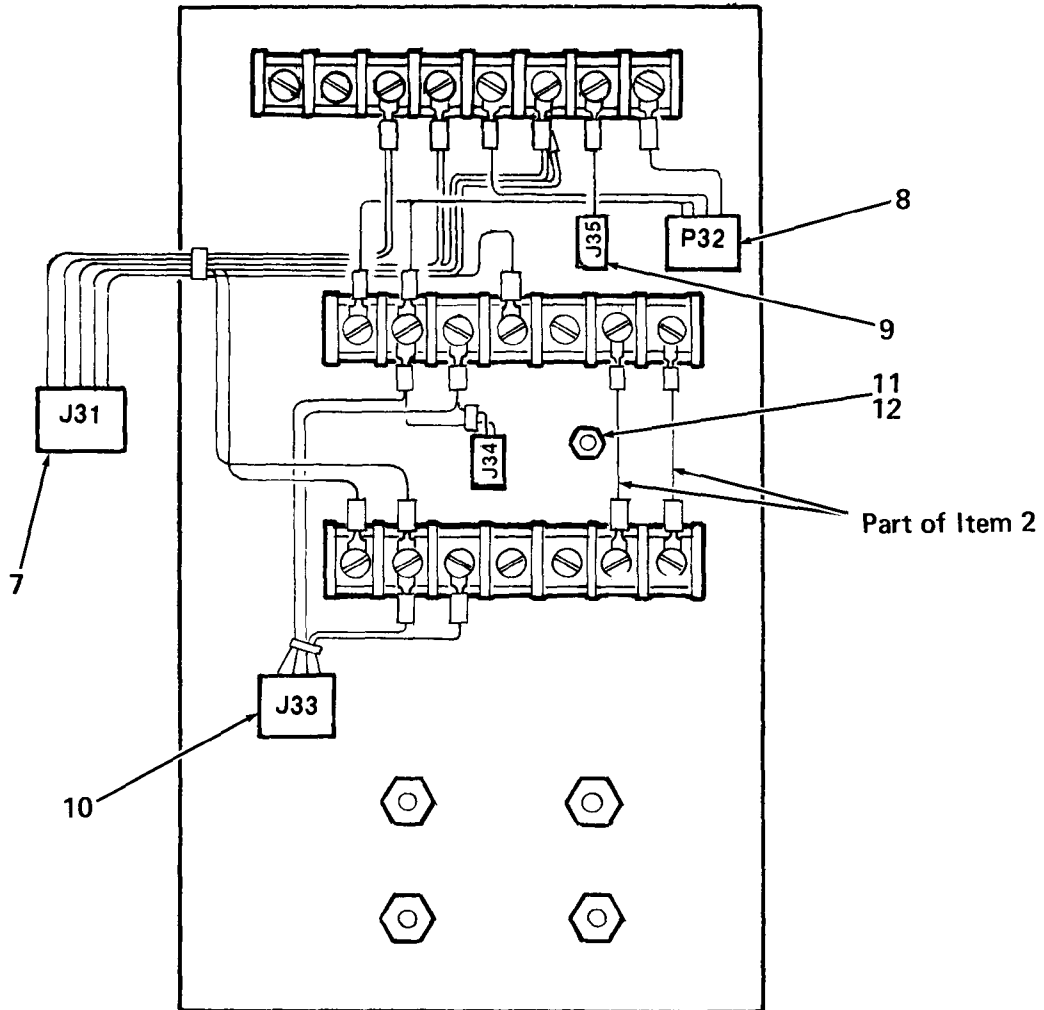
**Figure 7. Floppy Drive/Bracket Assembly**

THIS PAGE INTENTIONALLY LEFT BLANK



HSC96-08-SC

Figure 8. Power Supply Assembly, Standard (Sheet 1 of 2)



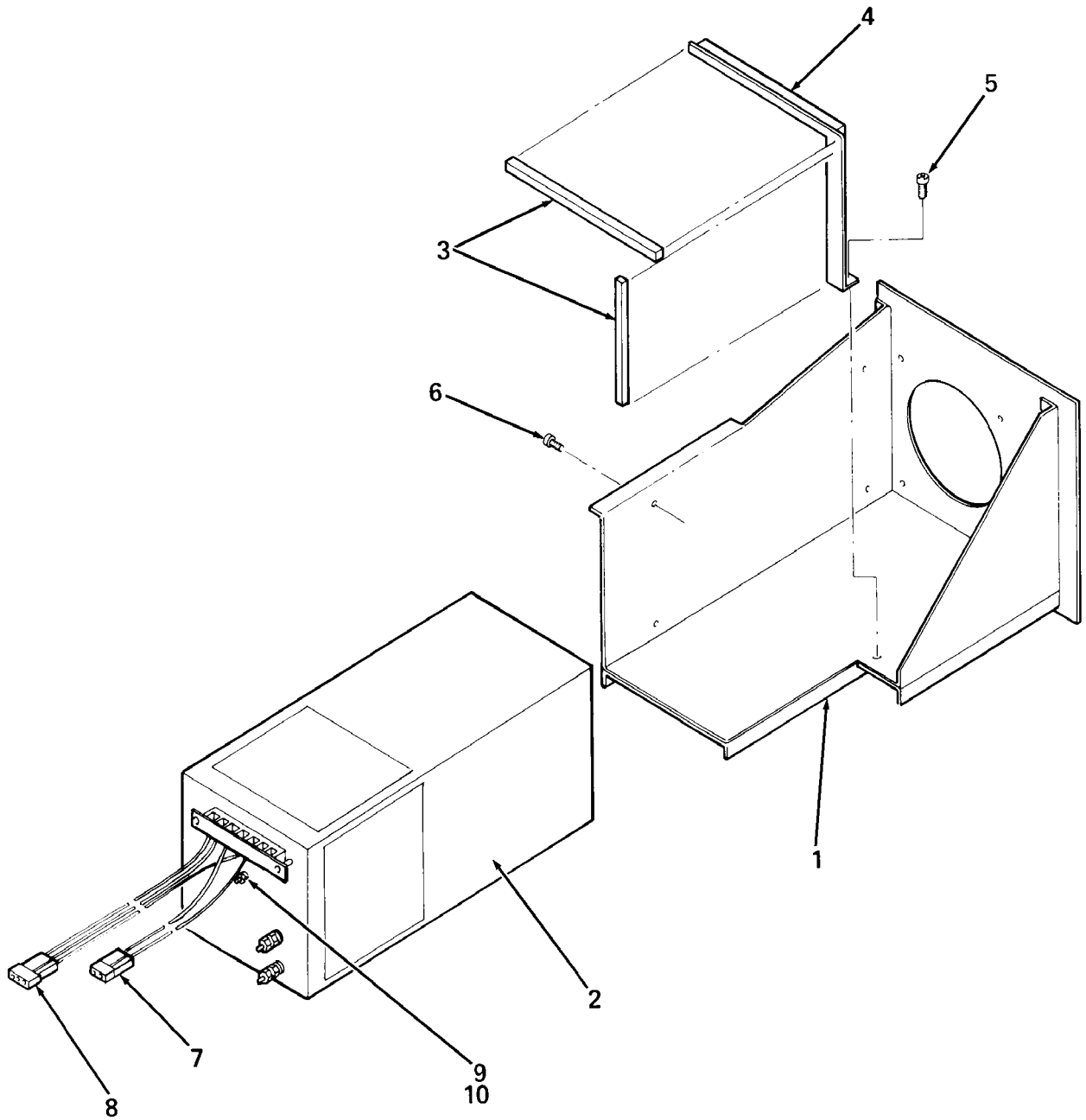
**A**

HSC96-08A-SC

**Figure 8. Power Supply Assembly, Standard (Sheet 2 of 2)**

FIG.& ITEM NO.	DESCRIPTION	DEC PART NO.	ECO CUT-IN 70-20033 00004	USED ON CODE	REF FIG NO.
8-	POWER SUPPLY ASSEMBLY, STANDARD (120V 60 Hz)	70-20033-03		A	5
	POWER SUPPLY ASSEMBLY, STANDARD (240V 50 Hz)	70-20033-04		B	5
1	*Tray Weldment Assembly, Standard P/S	70-19635-01			
2	*Regulator, Power Supply Switching (120V 60 Hz)	30-20199-01		A	
	*Regulator, Power Supply Switching (240V 50 Hz)	30-20199-02		B	
3	*Foam, Tape .3/8 x 3/9 Black	90-08274-02			
4	*Bracket, Sealing Standard	74-26884-01			
5	*Screw, Sems Phi Pan Hd No. 6-32 x 3/8	90-09984-00			
6	*Screw, Sems Phi Pan Hd No. 8-32 x 5/16	90-09984-06			
7	*Harness Assembly, Standard Power Supply Interconnect	70-19680-01			
8	*Cable Assembly, Standard Power Supply Interconnect No. 2	70-19681-01			
9	*Cable Assembly, Power Supply Airflow Sensor	70-20203-01			
10	*Cable Assembly, DC On/Off Power Supply	70-20197-01			
11	*Washer, Lock No. 6	90-07649-00			
12	*Nut, Kep No. 6-32	90-06560-00			
	LABEL (Not Shown)				
	*Label, "Bar Code"	36-21711-15			

THIS PAGE INTENTIONALLY LEFT BLANK

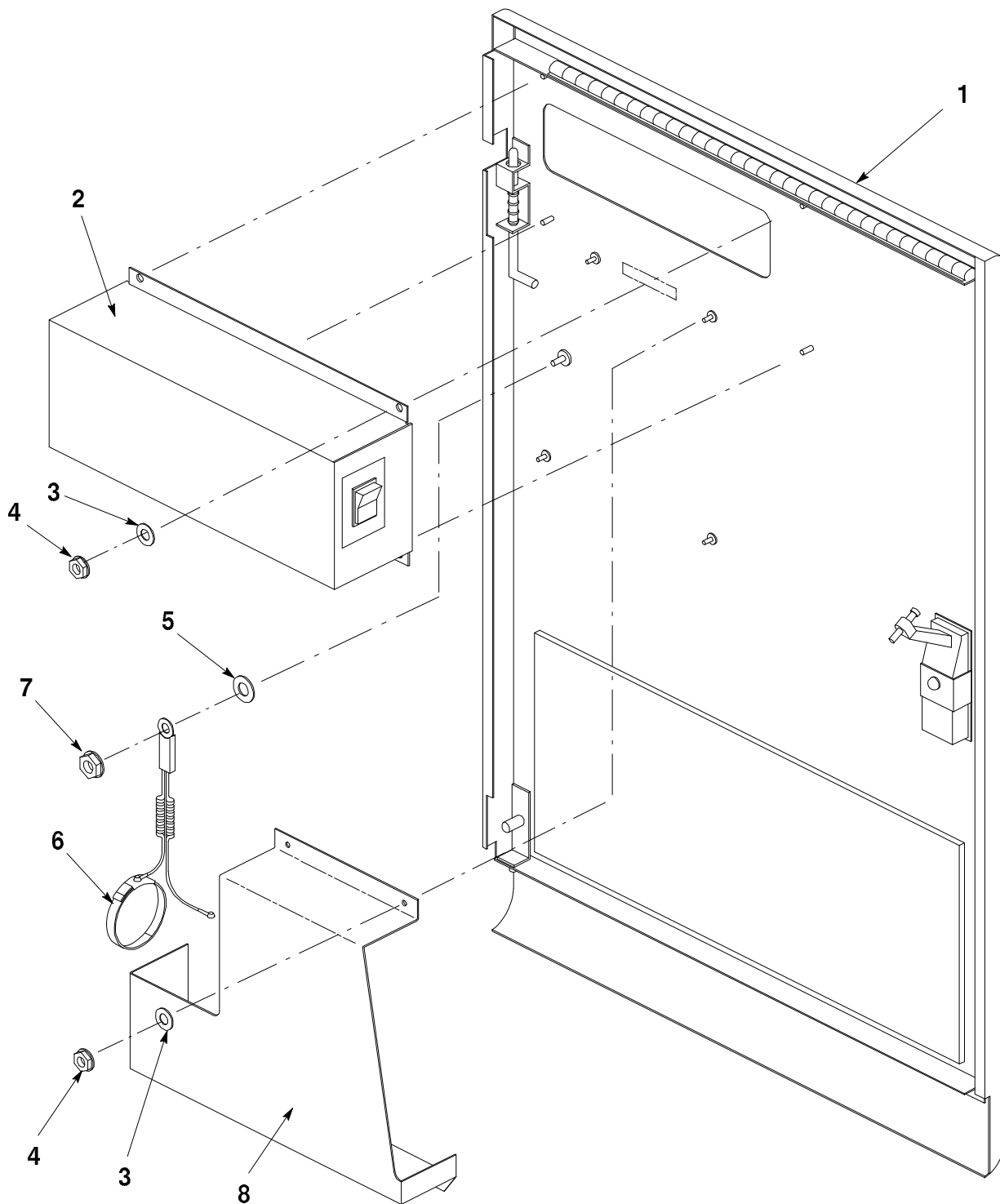


HSC96-09-SC

**Figure 9. Power Supply Assembly, Auxiliary**

FIG. & ITEM NO.	DESCRIPTION	DEC PART NO.	ECO CUT-IN HSC70 00012	USED ON CODE	REF FIG NO.
9-	POWER SUPPLY ASSEMBLY, AUXILIARY (120V 60 Hz)	70-20184-01		A	5
	POWER SUPPLY ASSEMBLY, AUXILIARY (240V 50 Hz)	70-20184-02		B	5
1	*Tray Weldment Assy., Auxiliary Power Supply	70-19636-01			
2	*Regulator, Power Supply Switching (120V 60 Hz)	30-20198-01		A	
	*Regulator, Power Supply Switching (240V 50 Hz)	30-20198-02		B	
3	*Foam, Tape (Black)	90-08274-00			
4	*Bracket, Optional Sealing	74-26883-01			
5	*Screw, Sems Phi Pan Hd No. 6-32 x 3/8	90-09984-00			
6	*Screw, Sems Phi Pan Hd No. 8-32 x 5/16	90-09984-06			
7	*Cable Assembly, DC On/Off Aux. P/S No. 1 (deleted)	70-20198-01	00001		
8	*Cable Assembly, Aux. P/S Interconnect	70-19683-01			
9	*Washer, External Tooth Lock No. 6	90-07649-00			
10	*Nut, Kep No. 6-32	90-06560-00			
11	*Nut, Hex Ext. Tooth Lock Washer No. 6-32 (added)	70-20198-02	00001		
	LABEL (Not Shown)				
	*Label, "Power Supply"	90-09255-01			
	*Label, "Bar Code"	36-21711-15	00001		

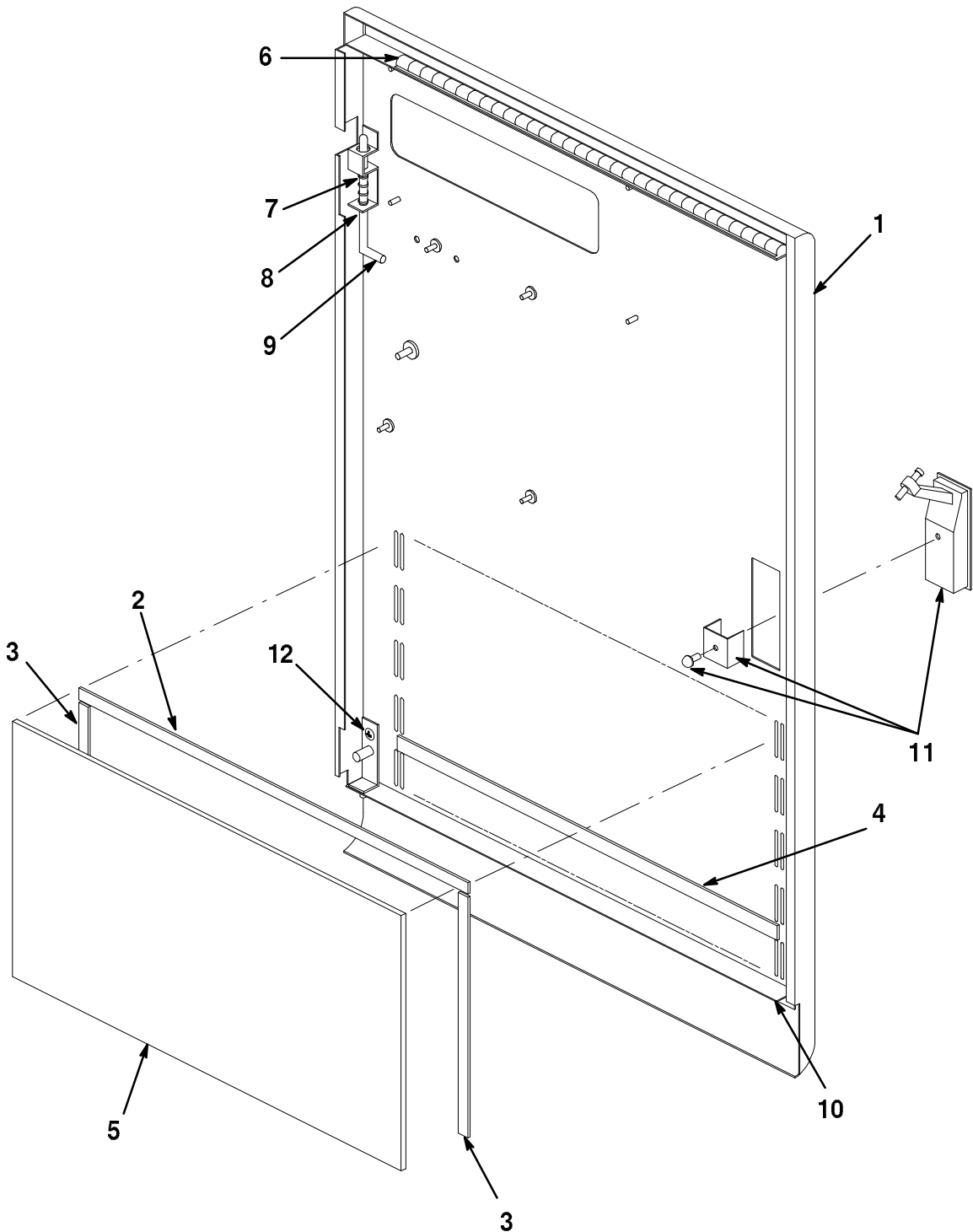




HSC96-10-IL

**Figure 10. Door/OCP Assembly, Front**

FIG. & ITEM NO.	DESCRIPTION	DEC PART NO.	ECO CUT-IN HSC70 00012	USED ON CODE	REF FIG NO.
10-	DOOR/OCP ASSEMBLY, FRONT	70-23130-01			5
1	*DOOR ASSEMBLY, FRONT	70-23131-01			11
2	*OCP/COVER ASSEMBLY	70-23132-01			12
3	*Washer, Flat	90-06659-00			
4	*Nut, Kep No. 6-32	90-06560-00			
5	*Washer, Lock	90-06636-00			
6	*Cable Assembly, ESD Wrist Strap	12-24023-02			
7	*Nut, Kep No. 10-32	90-06565-00			
8	*Holder Weldment, Floppy Disk	70-23206-01			

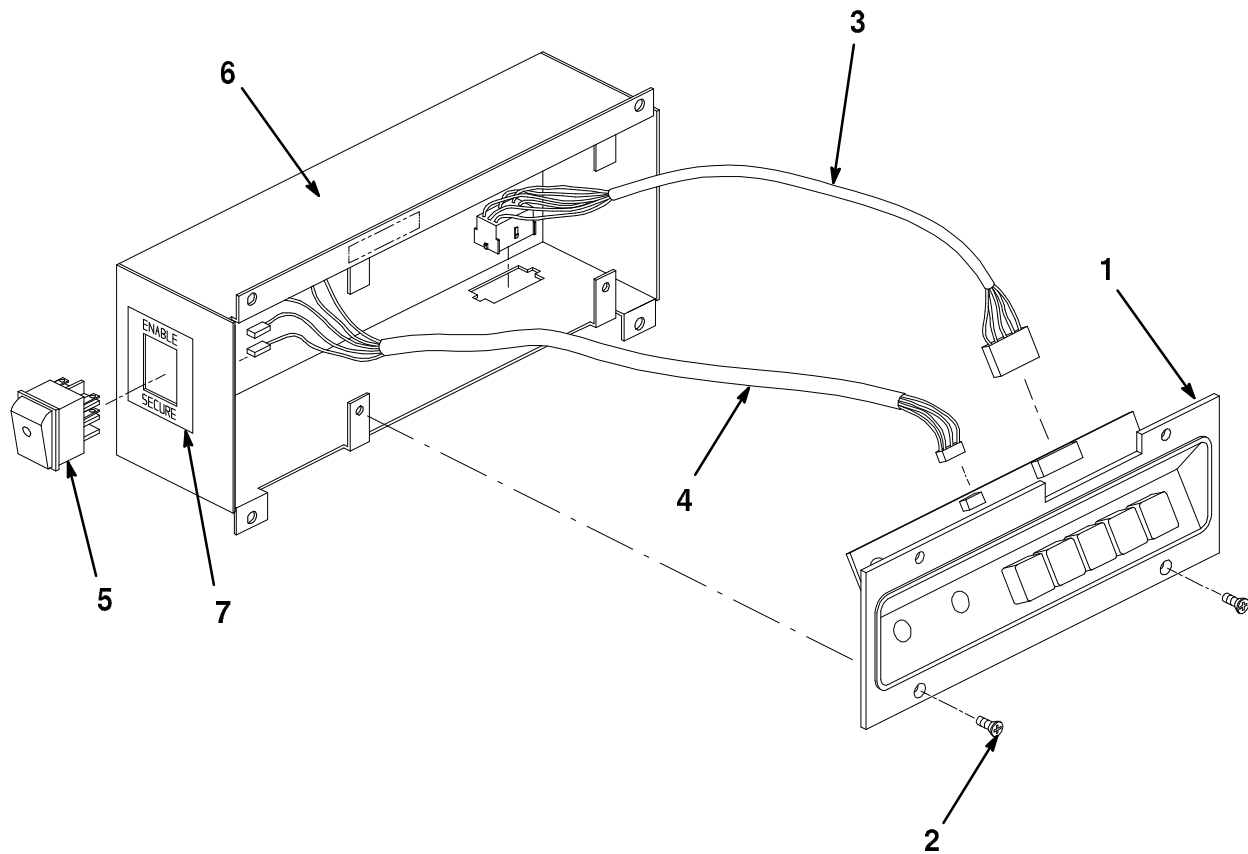


HSC96-11-IL

**Figure 11. Door Assembly, Front**

FIG. & ITEM NO.	DESCRIPTION	DEC PART NO. <sup>B</sup>	ECO CUT-IN HSC70 00012	USED ON CODE	REF FIG NO.
11-	DOOR ASSEMBLY, FRONT	70-23131-01			10
1	*Door Weldment, Front	70-22490-01			
2	*Tape, Velcro	74-27794-05			
3	*Tape, Foam	12-12431-10			
4	*Tape, Foam	12-12431-09			
5	*Foam, Air Filter	12-13121-22			
6	*Shield, EMI/RFI (45 Fingers)	12-20580-15			
7	*Spring, Compression	12-16225-01			
8	*Ring, Retaining	90-09273-02			
9	*Pin, Door Hinge	74-26147-00			
10	*Shield, EMI/RFI (48 Fingers)	12-20580-16			
11	*Latch Assembly, Locking Door w/2 Keys	12-25411-01			
12	*Label, Ground Symbol (Black)	36-12680-00			

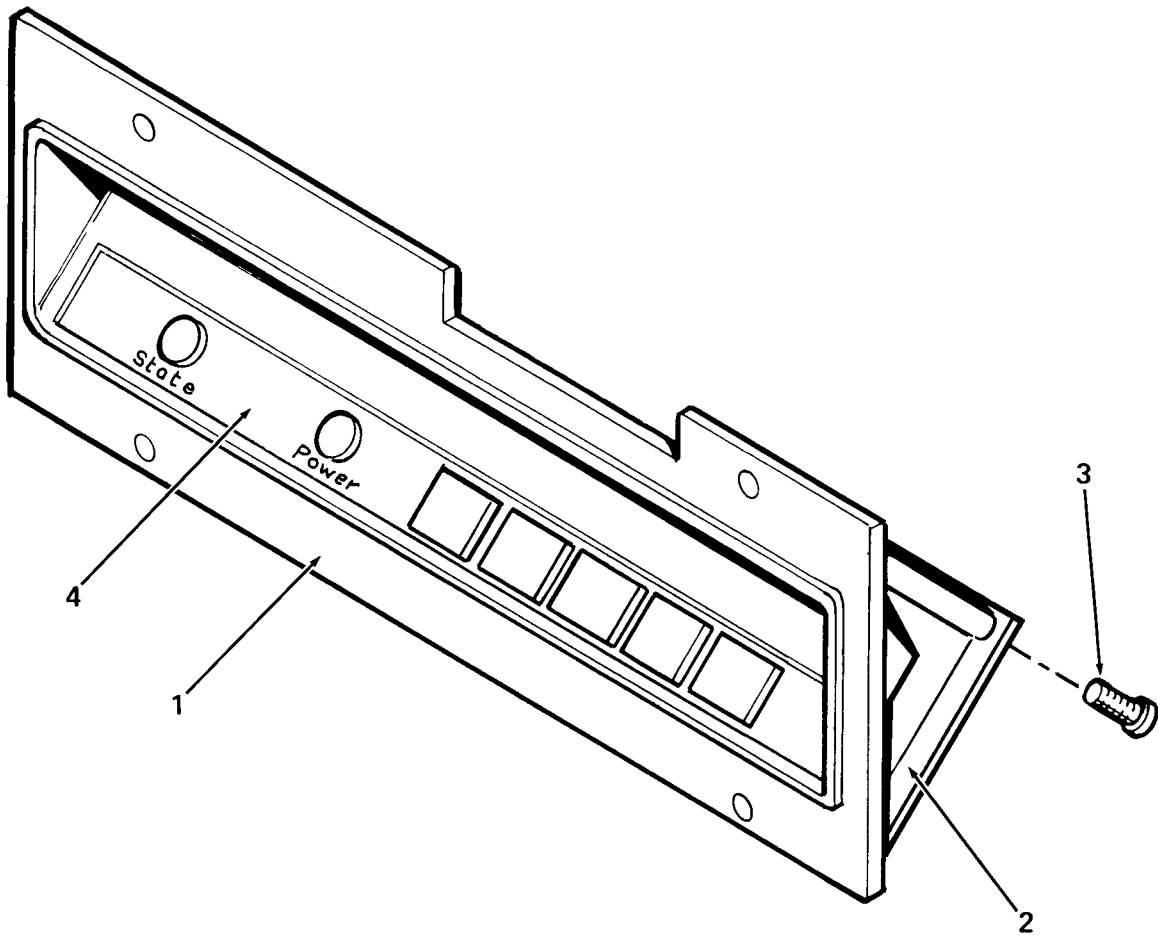
FIG. & ITEM NO.	DESCRIPTION	DEC PART NO.	ECO CUT-IN 70-23132 00002	USED ON CODE	REF FIG NO.
12-	OCP/COVER ASSEMBLY	70-23132-01			10
1	*OCP/BEZEL ASSEMBLY	70-23138-01			13
2	*Screw, Phi Flat Hd No. 6-32 x 1/4	90-06021-01			
3	*Harness Assembly, OCP/Rocker Switch Wire	17-01202-01			
4	*Harness Assembly, OCP Wire	17-01203-01			
5	*Switch, Illuminating DPST Rocker	12-25547-01			
6	*Box Weldment, Cover	70-23202-01			
7	*Label, "Secure/Enable"	36-25412-01			



HSC96-12-IL

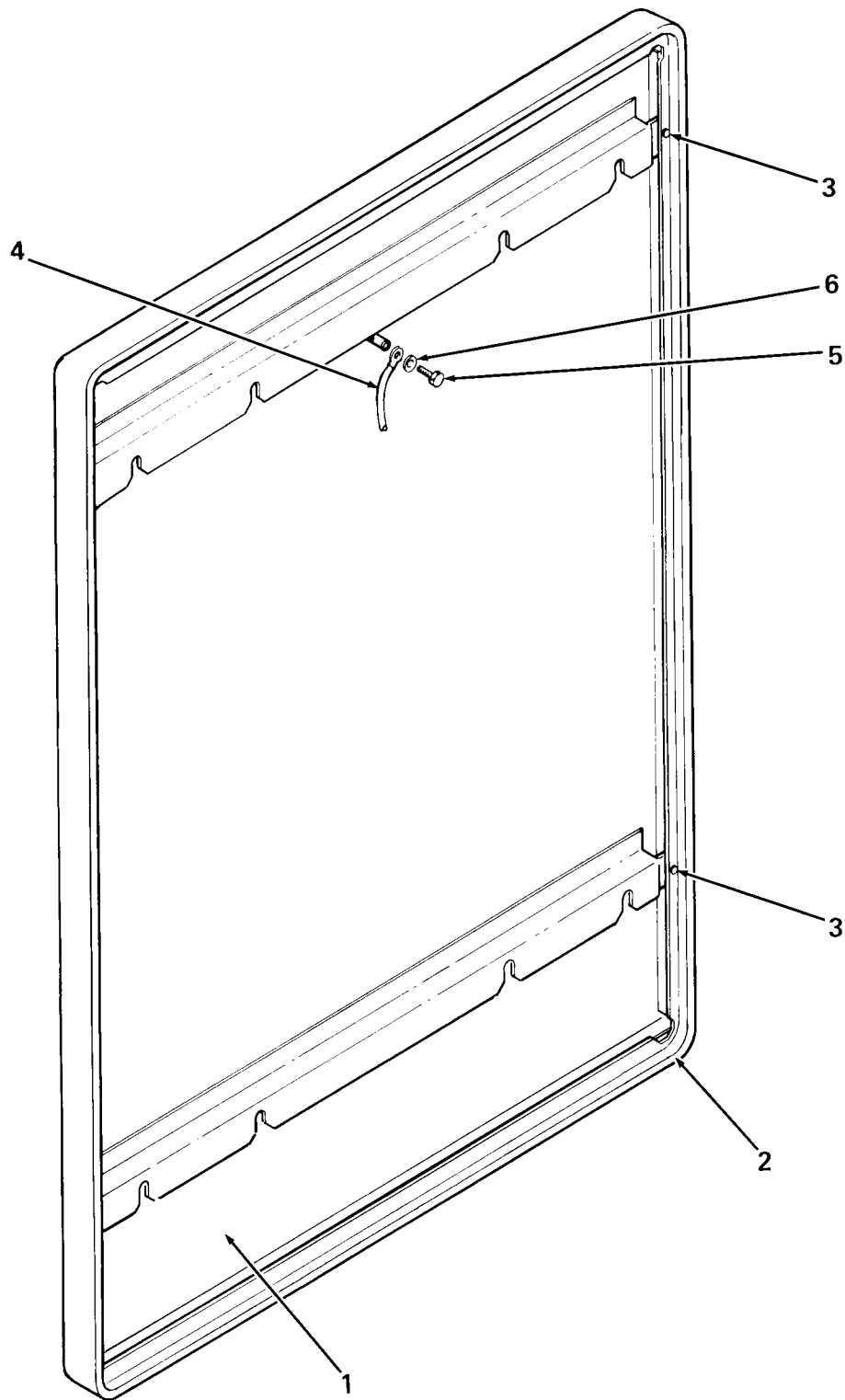
**Figure 12. OCP/Cover Assembly**

FIG. & ITEM NO.	DESCRIPTION	DEC PART NO.	ECO CUT-IN 70-23138 00000	USED ON CODE	REF FIG NO.
13-	OCP/BEZEL ASSEMBLY	70-23138-01			12
1	*Bezel, OCP	74-32304-01			
2	*Module, Operator Control Panel	54-15286-01			
3	*Screw, Sems Phi Pan Hd No. 6-32 x 3/8	90-09984-00			
4	*Label, "Door Insert"	36-20763-01			



HSC96-13-SC

**Figure 13. OCP/Bezel Assembly**



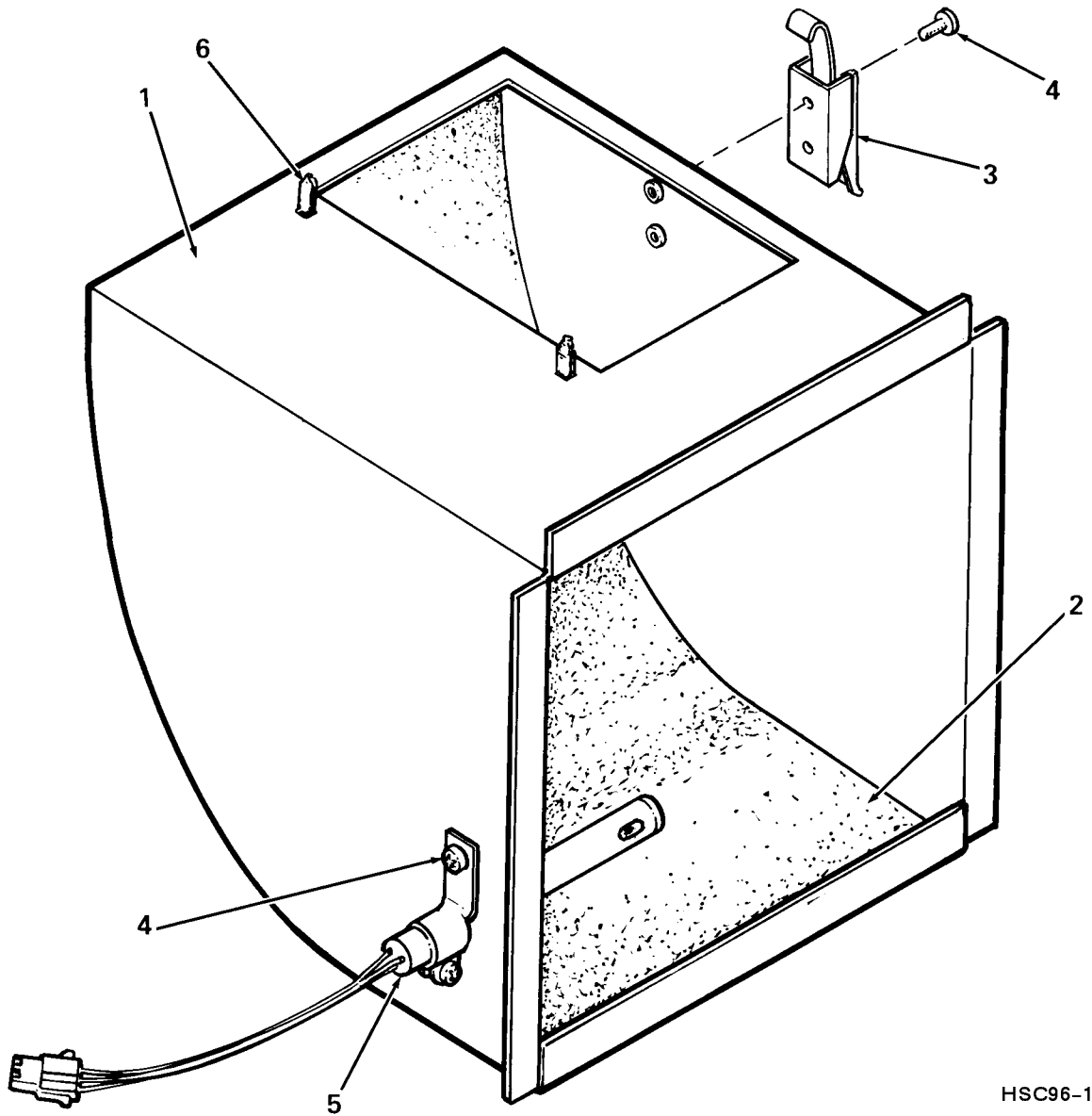
HSC96-14-SC

Figure 14. Panel Assembly, End

FIG. & ITEM NO.	DESCRIPTION	DEC PART NO.	ECO CUT-IN 70-19083 00001	USED ON CODE	REF FIG NO.
14-	PANEL ASSEMBLY, END (40 INCH)	70-19083-01			3
1	*Panel Weldment Assembly, End (40 Inch)	70-19082-01			
2	*Roll Form Weldment Assembly (40 Inch)	70-19075-01			
3	*Rivet, Blind	12-19042-00			
4	*Strap, Ground	12-13756-20			
5	*Screw, Sems Plain Slot No. 10-32 x 3/8	90-00049-38			
6	*Washer, Flat	90-06664-00			
	LABEL, (Not Shown)				
	*Label, "Ground"	36-13272-00			



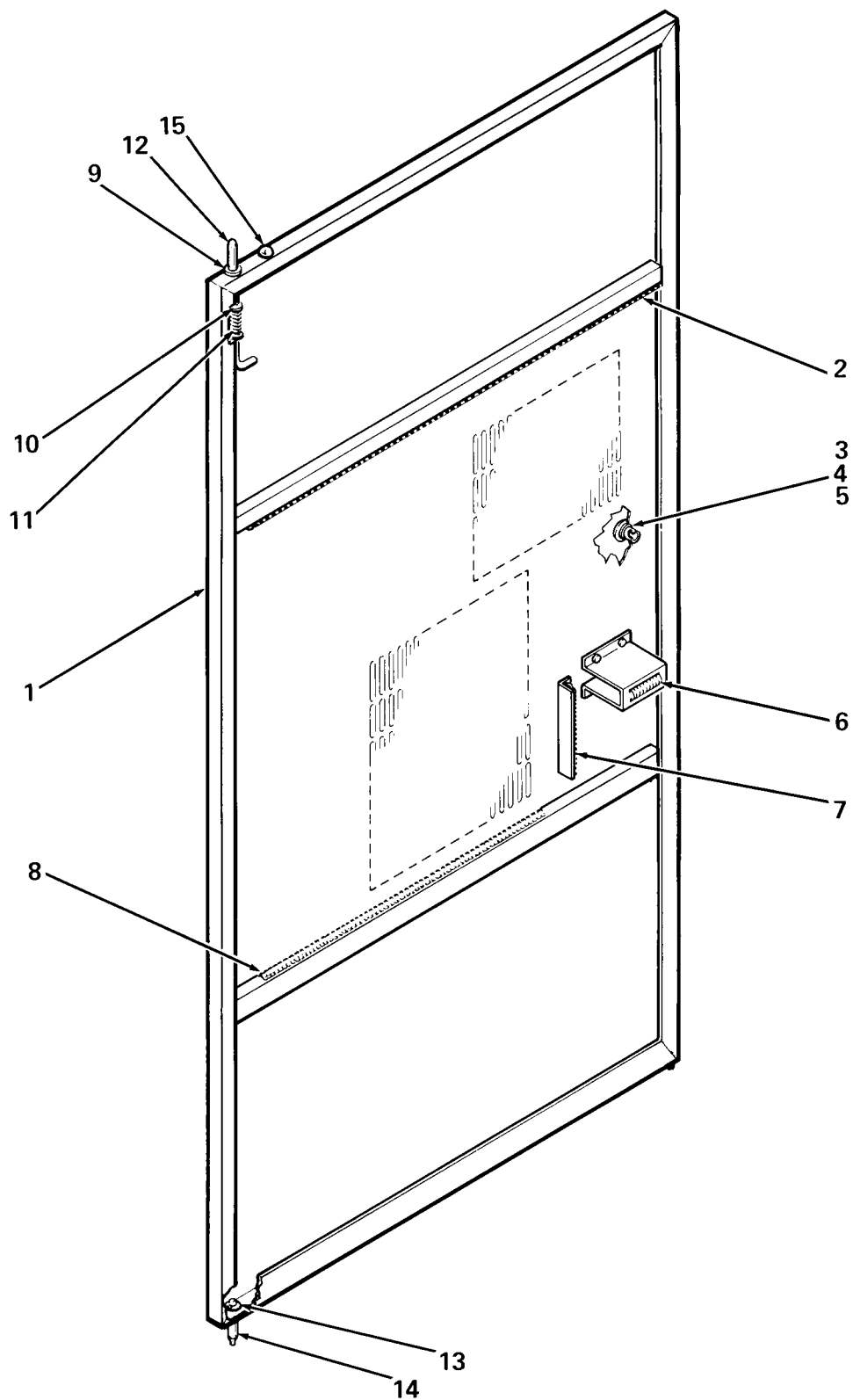
FIG. & ITEM NO.	DESCRIPTION	DEC PART NO.	ECO CUT-IN HSC50 00015	USED ON CODE	REF FIG NO.
15-	DUCT ASSEMBLY, OUTLET	70-23219-01			5
1	*Duct Weldment Assembly, Outlet	70-23220-01			
2	*Foam, Acoustic	74-27801-05			
3	*Latch, Hook-End Draw	12-19380-01			
4	*Screw, Sems Phi Pan Hd No. 6-32 x 3/8	90-09984-00			
5	*Switch Assembly, Air Flow Sensor	12-26092-01			
6	*Fastener, 1/4 Turn	12-14390-04			



HSC96-15-SC

Figure 15. Duct Assembly, Outlet

THIS PAGE INTENTIONALLY LEFT BLANK



HSC96-16-SC

Figure 16. Door Assembly, Rear

FIG. & ITEM NO.	DESCRIPTION	DEC PART NO. <sup>D</sup>	ECO CUT-IN HSC50 00015	USED ON CODE	REF FIG NO.
16-	DOOR ASSEMBLY, REAR	70-23125-01			3
1	*Door Weldment, Rear	70-22489-01			
2	*Shield, EMI/RFI (45 Fingers)	12-20580-15			
3	*Grommet, Retainer	12-12972-03			
4	*Fastener, Allen Head	12-12972-06			
5	*Ring, Retaining	90-08500-00			
6	*Shield, Spring	74-26725-01			
7	*Shield, EMI/RFI (18 Fingers)	12-20580-21			
8	*Shield, EMI/RFI (34 Fingers)	12-20580-13			
9	*Bushing, Snap-In Nylon	90-00021-07			
10	*Ring, Retaining	90-09273-02			
11	*Spring, Hinge Compression	12-16225-01			
12	*Pin, Door Hinge	74-26147-00			
13	*Ring, Retaining	90-09644-01			
14	*Pin, Door	74-26709-01			
15	*Plug, Snap-In Hole	90-10648-02			

Ω

# **PART NUMBER/DESCRIPTION INDEX**

**INDEX BY DEC PART NUMBER**  
**HSC90/60 STORAGE CONTROLLERS**

PART NO.	DESCRIPTION	FIG NO.	ITEM NO.
12-12431-09	Tape, Foam	11	4
12-12431-10	Tape, Foam	11	3
12-12972-02	Spring, Receptacle Fastener 1/4 Turn	3	21
12-12972-03	Grommet, Retainer	16	3
12-12972-06	Fastener, Allen Head	16	4
12-13121-22	Foam, Air Filter	11	5
12-13756-12	Strap, Ground	5	14
12-13756-20	Strap, Ground	14	4
12-13756-28	Strap, Ground	5	61
12-14390-04	Fastener, 1/4 Turn	15	6
12-15243-00	Screw, Assembly, Hex WW Female No. 4-40 x 5/16	5	51
12-16007-06	Shield, EMI/RFI, 68 Contacts, Adhesive	4	7
12-16007-06	Shield, EMI/RFI, 68 Contacts	5	59
12-16225-01	Spring, Compression	11	7
12-16225-01	Spring, Hinge Compression	16	11
12-17010-05	Guide, Nylon Card (Brown-Red)	5	29
12-17010-06	Guide, Nylon Card (Brown-Red)	5	30
12-18783-00	Connector, 2 Position Jumper	7	4
12-18828-00	Blower, Centrifugal, 200 CFM 120V AC	5	56
12-19042-00	Rivet, Blind	14	3
12-19380-01	Latch, Hook-End Draw	15	3
12-19713-01	Standoff, Male/Female No. 6-32	3	13
12-20580-08	Shield, EMI/RFI, 8 Contacts	5	9
12-20580-13	Shield, EMI/RFI, 34 Contacts, Adhesive	4	9
12-20580-13	Shield, EMI/RFI (34 Fingers)	16	8
12-20580-14	Shield, EMI/RFI, 43 Contacts, Adhesive	4	10
12-20580-15	Shield, EMI/RFI (45 Fingers)	16	2
12-20580-15	Shield, EMI/RFI (45 Fingers)	11	6
12-20580-15	Shield, EMI/RFI, 45 Contacts	5	60
12-20580-16	Shield, EMI/RFI (48 Fingers)	11	10
12-20580-17	Shield, EMI/RFI, 57 Contacts	5	10
12-20580-19	Shield, EMI/RFI, 68 Contacts, Adhesive	4	8
12-20580-21	Shield, EMI/RFI (18 Fingers)	16	7
12-20996-01	Relay, 12V Coil 100 mA	5	43
12-21368-01	Screw, Sems Phl Pan Hd No. 6-32 x 1-1/8	5	37
12-21368-02	Screw, Sems Phl Pan Hd No. 10-32 x 5/8	5	12
12-21368-02	Screw, Sems Phl Pan Hd No. 10-32 x 5/8	4	3
12-21368-03	Screw, Sems Phl Pan Hd No. 10-32 x 11/32	4	4
12-21368-03	Screw, Sems Phl Pan Hd No. 10-32 x 11/32	3	20
12-21368-03	Screw, Sems Phl Pan Hd No. 10-32 x 3/4	5	35
12-21368-04	Screw, Sems Phl Pan Hd No. 10-32 x 9/32	6	3
12-21368-04	Screw, Sems Phl Pan Hd No. 10-32 x 5/8	6	6
12-21394-04	Cover, Wiring Duct	5	23
12-21394-04	Duct, Wiring	5	21
12-22950-02	Clip, Snap-In Flat Cable	5	66
12-22992-01	Holder, Cable Tie	5	65
12-24023-02	Cable Assembly, ESD Wrist Strap	10	6
12-25411-01	Latch Assembly, Locking Door w/2 Keys	11	11
12-25435-01	Switch, Rocker, Mini, On-Off (.5V 28V)	5	28
12-25547-01	Switch, Illuminating DPST Rocker	12	5
12-26092-01	Switch Assembly, Air Flow Sensor	15	5
17-00717-01	Cable Assembly, CI Connector	5	55
17-00958-01	Cable Assembly, Shielded Coax	5	49
17-00958-01	Cable Assembly, Shielded Coax	5	46

**INDEX BY DEC PART NUMBER**  
**HSC90/60 STORAGE CONTROLLERS**

PART NO.	DESCRIPTION	FIG NO.	ITEM NO.
17-01167-01	Cable Assembly, Floppy Signal	5	68
17-01202-01	Harness Assembly, OCP/Rocker Switch Wire	12	3
17-01203-01	Harness Assembly, OCP Wire	12	4
17-01215-01	Cable Assembly, OCP/Backplane	5	67
17-01231-01	Cable Assembly, Relay to Power Controller Airflow Sensor	5	7
17-01231-02	Cable Assembly, DC On/Off Switch	5	69
17-01265-01	Circuit, Flex-Bus Power	5	38
17-01266-01	Harness Assembly, Backplane to Power Supply Interconnect	5	41
17-01267-01	Harness Assembly, Wire	5	52
17-01275-01	Cable Assembly, Airflow Sensor	5	6
17-01276-02	Cable Assembly, Blower AC Line	5	57
17-01276-03	Cable Assembly, Blower AC Line	5	57
30-20198-01	Regulator, Power Supply Switching (120V 60 Hz)	9	2
30-20198-02	Regulator, Power Supply Switching (240V 50 Hz)	9	2
30-20199-01	Regulator, Power Supply Switching (120V 60 Hz)	8	2
30-20199-02	Regulator, Power Supply Switching (240V 50 Hz)	8	2
30-24374-01	Controller Assembly, Power (120V 3-Phase 9 Outlet)	5	44
30-24374-02	Controller Assembly, Power (240V 3-Phase 9 Outlet)	5	44
36-12680-00	Label, Ground Symbol (Black)	11	12
36-13272-00	Label, "Ground"	14	Not Shown
36-17674-01	Labels, "Serial/Power w/UL & CSA Logos"	5	Not Shown
36-17674-38	Label, "Serial/Power Universal, Made in USA"	1	Not Shown
36-17674-38	Label, "Serial/Power Universal, Made in USA"	2	Not Shown
36-17880-03	Label, "FCC, Class A Peripheral"	5	Not Shown
36-17880-03	Label, "FCC Class A"	2	Not Shown
36-17880-03	Label, FCC Class A	1	Not Shown
36-20763-01	Label, "Door Insert"	13	4
36-21683-01	Label, "Warning, Air Inlet"	4	11
36-21684-02	Label, "Card Cage Module"	5	Not Shown
36-21684-04	Label, "Card Cage Module HSC60"	2	Not Shown
36-21684-05	Label, Card Cage Module HSC60	1	Not Shown
36-21686-02	Label, "Rear Door I/O, HSC70"	4	12
36-21711-13	Label, "Bar Code 1.8 Inch x 0.75 Inch"	2	Not Shown
36-21711-13	Label, Bar Code 1.80 Inch x 0.75 Inch	1	Not Shown
36-21711-15	Label, "Cable Bar Code 2.2 Inch x 0.9 Inch"	2	Not Shown
36-21711-15	Label, Cable Bar Code 2.2 Inch x 0.9 Inch	1	Not Shown
36-21711-15	Label, "Bar Code"	9	Not Shown
36-21711-15	Label, "Bar Code"	8	Not Shown
36-21758-02	Label, "Card Cage"	5	Not Shown
36-25412-01	Label, "Secure/Enable"	12	7
36-25418-01	Label, "DC Power"	5	Not Shown
54-15286-01	Module, Operator Control Panel	13	2
70-08288-8F	Cable Assembly, PDP-11	2	Not Shown
70-08288-8F	Cable Assembly, PDP-11	1	Not Shown
70-19075-01	Roll Form Weldment Assembly (40 Inch)	14	2
70-19082-01	Panel Weldment Assembly, End (40 Inch)	14	1
70-19083-01	PANEL ASSEMBLY, END (40 INCH)	3	4
70-19083-01	PANEL ASSEMBLY, END (40 INCH)	14	N/A
70-19088-01	STOP ASSEMBLY, DOOR	3	12
70-19251-01	Inlet Weldment Assembly, Blower	5	34
70-19635-01	Tray Weldment Assembly, Standard P/S	8	1

**INDEX BY DEC PART NUMBER**  
**HSC90/60 STORAGE CONTROLLERS**

PART NO.	DESCRIPTION	FIG NO.	ITEM NO.
70-19636-01	Tray Weldment Assy., Auxiliary Power Supply	9	1
70-19674-01	Bracket Weldment, Rear Vent Support	3	11
70-19675-01	Cover Weldment, Top	3	3
70-19680-01	Harness Assembly, Standard Power Supply Interconnect	8	7
70-19681-01	Cable Assembly, Standard Power Supply Interconnect No. 2	8	8
70-19683-01	Cable Assembly, Aux. P/S Interconnect	9	8
70-20031-01	FRAME ASSEMBLY	6	N/A
70-20031-01	FRAME ASSEMBLY	5	1
70-20033-03	POWER SUPPLY ASSEMBLY, STANDARD (120V 60 Hz)	5	26
70-20033-03	POWER SUPPLY ASSEMBLY, STANDARD (120V 60 Hz)	8	N/A
70-20033-04	POWER SUPPLY ASSEMBLY, STANDARD (240V 50 Hz)	5	26
70-20033-04	POWER SUPPLY ASSEMBLY, STANDARD (240V 50 Hz)	8	N/A
70-20184-01	POWER SUPPLY ASSEMBLY, AUXILIARY (120V 60 Hz)	5	27
70-20184-01	POWER SUPPLY ASSEMBLY, AUXILIARY (120V 60 Hz)	9	N/A
70-20184-02	POWER SUPPLY ASSEMBLY, AUXILIARY (240V 50 Hz)	5	27
70-20184-02	POWER SUPPLY ASSEMBLY, AUXILIARY (240V 50 Hz)	9	N/A
70-20193-01	Frame Assembly	6	1
70-20197-01	Cable Assembly, DC On/Off Power Supply	8	10
70-20198-01	Cable Assembly, DC On/Off Aux. P/S No. 1 (deleted)	9	7
70-20198-02	Nut, Hex Ext. Tooth Lock Washer No. 6-32 (added)	9	11
70-20199-01	Cable Assembly No. 2, DC On/Off Auxiliary Power Supply	5	8
70-20203-01	Cable Assembly, Power Supply Airflow Sensor	8	9
70-22480-01	Stop, Front Door	5	15
70-22488-01	Frame Weldment Assembly, Extender	5	32
70-22489-01	Door Weldment, Rear	16	1
70-22490-01	Door Weldment, Front	11	1
70-23125-01	DOOR ASSEMBLY, REAR	3	2
70-23125-01	DOOR ASSEMBLY, REAR	16	N/A
70-23126-05	CABINET/SHIELD ASSEMBLY (120V 60 Hz)	3	1
70-23126-05	CABINET/SHIELD ASSEMBLY (120V 60 Hz)	4	N/A
70-23126-06	CABINET/SHIELD ASSEMBLY (240V 50 Hz)	4	N/A
70-23126-06	CABINET/SHIELD ASSEMBLY (240V 50 Hz)	3	1
70-23126-07	CABINET/SHIELD ASSEMBLY (120V 60 Hz)	3	1
70-23126-07	CABINET/SHIELD ASSEMBLY (120V 60 Hz)	4	N/A
70-23126-08	CABINET/SHIELD ASSEMBLY (240V 50 Hz)	3	1
70-23126-08	CABINET/SHIELD ASSEMBLY (240V 50 Hz)	4	N/A
70-23126-15	CABINET/SHIELD ASSEMBLY (120V 60 Hz)	4	N/A
70-23126-15	CABINET/SHIELD ASSEMBLY (120V 60 Hz)	3	1
70-23126-16	CABINET/SHIELD ASSEMBLY (240V 50 Hz)	4	N/A
70-23126-16	CABINET/SHIELD ASSEMBLY (240V 50 Hz)	3	1
70-23126-17	CABINET/SHIELD ASSEMBLY (120V 60 Hz)	4	N/A
70-23126-17	CABINET/SHIELD ASSEMBLY (120V 60 Hz)	3	1
70-23126-18	CABINET/SHIELD ASSEMBLY (240V 50 Hz)	4	N/A
70-23126-18	CABINET/SHIELD ASSEMBLY (240V 50 Hz)	3	1
70-23127-01	CABINET/MODULE ASSEMBLY (120V 60 Hz)	4	1
70-23127-02	CABINET/MODULE ASSEMBLY (240V 50 Hz)	4	1
70-23127-03	CABINET/MODULE ASSEMBLY 1 P.S. (60 Hz)	4	1
70-23127-04	CABINET/MODULE ASSEMBLY 1 P.S. (50 Hz)	4	1
70-23128-01	CABINET ASSEMBLY (120V 60 Hz)	5	N/A
70-23128-01	CABINET ASSEMBLY (120V 60 Hz)	4	2



**INDEX BY DEC PART NUMBER**  
**HSC90/60 STORAGE CONTROLLERS**

PART NO.	DESCRIPTION	FIG NO.	ITEM NO.
70-23128-02	CABINET ASSEMBLY (240V 50 Hz)	5	N/A
70-23128-02	CABINET ASSEMBLY (240V 50 Hz)	4	2
70-23128-03	CABINET ASSEMBLY (120V 60 Hz)	5	N/A
70-23128-04	CABINET ASSEMBLY (240V 50 Hz)	5	N/A
70-23129-01	FLOPPY DRIVE/BRACKET ASSEMBLY	7	N/A
70-23129-01	FLOPPY DRIVE/BRACKET ASSEMBLY	5	5
70-23130-01	DOOR/OCP ASSEMBLY, FRONT	10	N/A
70-23130-01	DOOR/OCP ASSEMBLY, FRONT	5	24
70-23131-01	DOOR ASSEMBLY, FRONT	10	1
70-23131-01	DOOR ASSEMBLY, FRONT	11	N/A
70-23132-01	OCP/COVER ASSEMBLY	10	2
70-23132-01	OCP/COVER ASSEMBLY	12	N/A
70-23134-01	I/O BULKHEAD ASSEMBLY, TOP	5	48
70-23135-01	I/O BULKHEAD ASSEMBLY, BOTTOM	5	45
70-23136-01	Backplane Prep Assembly	5	36
70-23137-01	Chassis Assembly, Riveted	5	2
70-23138-01	OCP/BEZEL ASSEMBLY	12	1
70-23138-01	OCP/BEZEL ASSEMBLY	13	N/A
70-23139-05	MECHANICAL ASSEMBLY, HSC TOP	3	N/A
70-23139-05	MECHANICAL ASSEMBLY, HSC TOP	1	1
70-23139-06	MECHANICAL ASSEMBLY, HSC TOP	3	N/A
70-23139-06	MECHANICAL ASSEMBLY, HSC TOP	1	1
70-23139-07	MECHANICAL ASSEMBLY, HSC TOP	2	1
70-23139-07	MECHANICAL ASSEMBLY, HSC TOP	3	N/A
70-23139-08	MECHANICAL ASSEMBLY, HSC TOP	2	1
70-23139-08	MECHANICAL ASSEMBLY, HSC TOP	3	N/A
70-23139-15	MECHANICAL ASSEMBLY, HSC TOP	3	N/A
70-23139-15	MECHANICAL ASSEMBLY, HSC TOP	1	1
70-23139-16	MECHANICAL ASSEMBLY, HSC TOP	1	1
70-23139-16	MECHANICAL ASSEMBLY, HSC TOP	3	N/A
70-23139-17	MECHANICAL ASSEMBLY, HSC TOP	3	N/A
70-23139-17	MECHANICAL ASSEMBLY, HSC TOP	2	1
70-23139-18	MECHANICAL ASSEMBLY, HSC TOP	2	1
70-23139-18	MECHANICAL ASSEMBLY, HSC TOP	3	N/A
70-23140-01	CABLE ASSEMBLY, REAR SHIELD/CI	5	53
70-23202-01	Box Weldment, Cover	12	6
70-23206-01	Holder Weldment, Floppy Disk	10	8
70-23219-01	DUCT ASSEMBLY, OUTLET	5	58
70-23219-01	DUCT ASSEMBLY, OUTLET	15	N/A
70-23220-01	Duct Weldment Assembly, Outlet	15	1
70-23906-01	Bezel Assembly (10-1/2 Inch)	3	8
74-26147-00	Pin, Door Hinge	11	9
74-26147-00	Pin, Door Hinge	16	12
74-26567-01	Plate, Blank Front	5	70
74-26709-01	Pin, Door	16	14
74-26725-01	Shield, Spring	5	42
74-26725-01	Shield, Spring	16	6
74-26883-01	Bracket, Optional Sealing	9	4
74-26884-01	Bracket, Sealing Standard	8	4
74-26885-01	Baffle, Front	5	40
74-26888-01	Plate, Card Cage Cover	5	31
74-26906-01	Shield, Front (RH)	5	3
74-27098-01	Shield, Side	4	6
74-27099-01	Bar, Nut	6	2

**INDEX BY DEC PART NUMBER**  
**HSC90/60 STORAGE CONTROLLERS**

PART NO.	DESCRIPTION	FIG NO.	ITEM NO.
74-27100-01	Shield, Top Cover	4	5
74-27182-01	Bracket, Rear Lock	3	22
74-27514-01	Bracket, End Panel Lock (RH)	5	16
74-27514-02	Bracket, End Panel Lock (LH)	5	19
74-27794-05	Tape, Velcro	11	2
74-27801-05	Foam, Acoustic	15	2
74-28263-01	Blank, Module	4	Not Shown
74-28263-01	Module, Blank	1	Not Shown
74-28263-01	Module, Blank	2	Not Shown
74-28326-01	Bar, Front Nut	6	4
74-28327-01	Bar, Rear Nut	6	5
74-31827-01	Bulkhead, I/O Bottom	5	47
74-31828-01	Bulkhead, I/O Top	5	50
74-31829-01	Plate, Floppy Drive Cover	5	25
74-31914-01	Shield, Rear Bottom	5	54
74-31915-01	Bracket, Front Door Lock	5	17
74-31916-01	Bracket, Shield Front, Lower	5	18
74-31917-01	Bracket, Front Door Pivot	5	11
74-31918-01	Bracket, RH Drive Mounting	7	2
74-31953-01	Shield, Front (LH)	5	4
74-32304-01	Bezel, OCP	13	1
74-32305-01	Bracket, Top Drive Mounting	7	3
74-32314-01	Cover, Jumper Bar	5	39
74-33488-01	Clamp, SI Cable	3	19
74-33501-01	Gasket, Rear Door	3	16
74-33501-02	Gasket, Rear Door (Bottom)	3	17
74-38607-04	Medallion, "HSC60"	2	2
74-38607-07	Medallion, "HSC90"	1	2
90-00021-07	Bushing, Snap-In Nylon	16	9
90-00049-38	Screw, Sems Plain Slot No. 10-32 x 3/8	14	5
90-00049-73	Screw, Sems Hex Slot Hd No. 10-16 x 1/2	3	7
90-00063-39	Screw, Self-Tap Truss Hd No. 10-32 x 1/2	3	10
90-06021-01	Screw, Phl Flat Hd No. 6-32 x 1/4	12	2
90-06022-01	Screw, Sems Phl Pan Hd No. 6-32 x 3/8	3	15
90-06037-01	Screw, Phl Pan Hd No. 8-32 x 3/8	3	6
90-06560-00	Nut, Kep No. 6-32	9	10
90-06560-00	Nut, Kep No. 6-32	8	12
90-06560-00	Nut, Kep No. 6-32	10	4
90-06563-00	Nut, Kep No. 8-32	3	5
90-06565-00	Nut, Kep No. 10-32	3	9
90-06565-00	Nut, Kep No. 10-32 x 3/8	5	62
90-06565-00	Nut, Kep No. 10-32	10	7
90-06568-00	Nut, Hex Ext. Tooth Lock Washer No. 5/16 x 18	5	73
90-06596-00	Nut, Hex No. 1/2 x 13	3	24
90-06636-00	Washer, Lock	10	5
90-06636-00	Washer, Lock	5	13
90-06659-00	Washer, Flat	10	3
90-06664-00	Washer, Flat	14	6
90-06676-00	Washer, Flat	5	72
90-06679-00	Washer, Flat	5	74
90-07031-00	Tie, Bundle Cable	5	63
90-07601-01	Foot, Leveler	3	23
90-07649-00	Washer, Lock No. 6	8	11
90-07649-00	Washer, External Tooth Lock No. 6	9	9

**INDEX BY DEC PART NUMBER**  
**HSC90/60 STORAGE CONTROLLERS**

PART NO.	DESCRIPTION	FIG NO.	ITEM NO.
90-08203-00	Nut, Hex Ext. Tooth Lock Washer No. 1/4-20	5	71
90-08264-00	Mount, Adhesive Back Cable Tie	5	64
90-08274-00	Foam, Tape (Black)	9	3
90-08274-02	Foam, Tape .3/8 x 3/9 Black	8	3
90-08500-00	Ring, Retaining	16	5
90-08878-00	Nut, Tee No. 1/2-13	3	27
90-09026-00	Washer, Flat	3	26
90-09168-00	Bumper, Screw Mount Rubber	3	14
90-09255-01	Label, "Power Supply"	9	Not Shown
90-09273-02	Ring, Retaining	16	10
90-09273-02	Ring, Retaining	11	8
90-09644-01	Ring, Retaining	16	13
90-09895-00	Washer, Split Lock	3	25
90-09984-00	Screw, Sems Phl Pan Hd No. 6-32 x 3/8	9	5
90-09984-00	Screw, Sems Phl Hd No. 6-32 x 3/8	5	33
90-09984-00	Screw, Sems Phl Pan Hd No. 6-32 x 3/8	15	4
90-09984-00	Screw, Sems Phl Pan Hd No. 6-32 x 3/8	13	3
90-09984-00	Screw, Sems Phl Pan Hd No. 6-32 x 3/8	8	5
90-09984-06	Screw, Sems Phl Pan Hd No. 8-32 x 5/16	9	6
90-09984-06	Screw, Sems Phl Pan Hd No. 8-32 x 5/16	8	6
90-09988-14	Screw, Sems Slotted Hex No. 1/4-20 x 3/4	5	20
90-10413-02	Rivet, Blind Binder	5	22
90-10648-02	Plug, Snap-In Hole	16	15
90-10648-02	Plug, Button (White Nylon)	3	18
90-11008-01	Nut, Wing	2	3
90-11008-01	Nut, Wing	1	3
BC22D-25	Cable Assembly, Async 25 Ft Null Modem	2	Not Shown
BC22D-25	Cable Assembly, Async 25 Ft Null Modem	1	Not Shown
BN03A-2E	Cord, Power	2	Not Shown
BN03A-2E	Cord, Power (Central Europe)	1	Not Shown
EK-HSCMN-IN	Documentation, "HSC Installation Manual"	1	Not Shown
EK-HSCMN-IN	Documentation, "HSC Installation Manual"	2	Not Shown
HSC5X-BA	KIT, K.SDI INTERFACE (to 4 SDI Disk Drives)	1	Not Shown
HSC5X-BA	KIT, K.SDI INTERFACE	2	Not Shown
HSC5X-CA	KIT, K.STI INTERFACE (to 4 STI Tape Formatters)	1	Not Shown
HSC5X-CA	KIT, K.STI INTERFACE	2	Not Shown
HSC5X-DA	KIT, K.SI INTERFACE (to 4 SDI Disk Drives or 4 STI Tape Formatters)	1	Not Shown
HSC5X-DA	KIT, K.SI INTERFACE (to 4 SDI Disk Drives)	2	Not Shown
HSC60-AA	HSC60-AA (120V 60 Hz)	2	N/A
HSC60-AB	HSC60-AB (240V 50 Hz)	2	N/A
HSC60-BA	HSC60-BA (120V 60 Hz)	2	N/A
HSC60-BB	HSC60-BB (240V 50 Hz)	2	N/A
HSC90-AA	HSC90-AA (120V 60 Hz)	1	N/A
HSC90-AB	HSC90-AB (240V 50 Hz)	1	N/A
HSC90-BA	HSC90-BA (120V 60 Hz)	1	N/A
HSC90-BB	HSC90-BB (240V 50 Hz)	1	N/A
HSC9X-BA	KIT, HSC90 CACHE MEMORY OPTION	1	Not Shown
HSC9X-BA	KIT, CACHE MEMORY OPTION	2	Not Shown
HSC9X-FA	KIT, K.SI INTERFACE (to 8 SDI DISK DRIVES)	2	Not Shown
HSC9X-FA	KIT, K.SI INTERFACE (to 8 SDI Disk Drives)	1	Not Shown

**INDEX BY DEC PART NUMBER**  
**HSC90/60 STORAGE CONTROLLERS**

PART NO.	DESCRIPTION	FIG NO.	ITEM NO.
L0100-00	Module, Interprocessor Link Interface	4	Not Shown
L0107-YA	Module, HSC50 K.PL (PLI Port Control)	4	Not Shown
L0108-YA	Module, Disk Data Channel	1	Not Shown
L0108-YA	Module, Disk Data Channel	2	Not Shown
L0108-YB	Module, Tape Data Channel	1	Not Shown
L0108-YB	Module, Tape Data Channel	2	Not Shown
L0109-00	Module, HSC50 PILA (Packet Buffer Board)	4	Not Shown
L0111-00	Module, J-11 I/O Processor	4	Not Shown
L0111-YC	Module, J11 I/O Control Processor 18 MHz	1	Not Shown
L0111-YD	Module, P.IOJ J11 PLCY Processor 18 MHz	2	Not Shown
L0117-AA	Module, HSC70 Standard Memory	4	Not Shown
L0118-YA	Module, L0118 w/CIX64 Compatability	1	Not Shown
L0118-YA	Module, L0118 x/CIX64 Compatability	2	Not Shown
L0119-YA	Module, K.SI 4 Port SI Channel Controller	1	Not Shown
L0119-YB	Module, K.SI 8 Port SI Channel Controller	1	Not Shown
L0119-YB	Module, K.IS 4 Port SI Channel Controller	2	Not Shown
L0121-AA	Module, 32 MB Read/Write-Through	1	Not Shown
L0121-AA	Module, 32 MB Read/Write-Through	2	Not Shown
L0123-AA	Module, M.STD4 (256 KB Cntrl Mem, 3 MB Prog. Mem, 512K Data Mem. & RZ33 Cntrl)	2	Not Shown
L0123-AA	Module, M.STD4 (256 KB Cntrl Mem, 3 MB Prog. Mem, 512K Data Mem. & RZ33 Cntrl)	1	Not Shown
L0124-00	Module, K.PL12 (Port Processor)	2	Not Shown
L0124-00	Module, K.PL12 (Port Processor)	1	Not Shown
L0125-00	Module, PILA2 (Port Buffer)	1	Not Shown
L0125-00	Module, PILA2 (Port Buffer)	2	Not Shown
LA50X-FF	Basket, LA50 Paper (34-21346-01)	2	Not Shown
LA50X-FF	Basket, LA50 Paper (34-21346-01)	1	Not Shown
LA70-AA	Printer, LA70	2	Not Shown
LA70-AA	Printer, LA70	1	Not Shown
LA70-AE	Printer, LA70	2	Not Shown
LA70-AE	Printer, LA70	1	Not Shown
LA75-AE	Printer, LA75	2	Not Shown
LA75-AE	Printer, LA75	1	Not Shown
LA75-CA	Printer, LA75	1	Not Shown
LA75-CA	Printer, LA75	2	Not Shown
LJ25X-DS	Stand, Printer Desk (replaces PCXXF-CF)	2	Not Shown
LJ25X-DS	Stand, Printer Desk (replaces PCXXF-CF)	1	Not Shown
QX926-H7	Kit, HSC Software Bin RX33	1	Not Shown
QX926-H7	Kit, HSC Software Bin RX33	2	Not Shown
RX33-A	RX33 FLOPPY DRIVE	7	1
VT420-AE	Terminal, Mono White (UK/Ireland)	1	Not Shown
VT420-AE	Terminal, VT420 White (UK/Ireland)	2	Not Shown
VT420-CA	Terminal, VT420 Amber (USA)	2	Not Shown
VT420-CA	Terminal, VT420 Mono Amber (USA)	1	Not Shown

**INDEX BY DEC PART DESCRIPTION**  
**HSC90/60 STORAGE CONTROLLERS**

DESCRIPTION	DEC PART NO.	FIG. NO.	ITEM NO.
Backplane Prep Assembly	70-23136-01	5	36
Baffle, Front	74-26885-01	5	40
Bar, Front Nut	74-28326-01	6	4
Bar, Nut	74-27099-01	6	2
Bar, Rear Nut	74-28327-01	6	5
Basket, LA50 Paper (34-21346-01)	LA50X-FF	1	Not Shown
Basket, LA50 Paper (34-21346-01)	LA50X-FF	2	Not Shown
Bezel Assembly (10-1/2 Inch)	70-23906-01	3	8
Bezel, OCP	74-32304-01	13	1
Blank, Module	74-28263-01	4	Not Shown
Blower, Centrifugal, 200 CFM 120V AC	12-18828-00	5	56
Box Weldment, Cover	70-23202-01	12	6
Bracket Weldment, Rear Vent Support	70-19674-01	3	11
Bracket, End Panel Lock (LH)	74-27514-02	5	19
Bracket, End Panel Lock (RH)	74-27514-01	5	16
Bracket, Front Door Lock	74-31915-01	5	17
Bracket, Front Door Pivot	74-31917-01	5	11
Bracket, Optional Sealing	74-26883-01	9	4
Bracket, Rear Lock	74-27182-01	3	22
Bracket, RH Drive Mounting	74-31918-01	7	2
Bracket, Sealing Standard	74-26884-01	8	4
Bracket, Shield Front, Lower	74-31916-01	5	18
Bracket, Top Drive Mounting	74-32305-01	7	3
Bulkhead, I/O Bottom	74-31827-01	5	47
Bulkhead, I/O Top	74-31828-01	5	50
Bumper, Screw Mount Rubber	90-09168-00	3	14
Bushing, Snap-In Nylon	90-00021-07	16	9
CABINET ASSEMBLY (120V 60 Hz)	70-23128-03	5	N/A
CABINET ASSEMBLY (120V 60 Hz)	70-23128-01	5	N/A
CABINET ASSEMBLY (120V 60 Hz)	70-23128-01	4	2
CABINET ASSEMBLY (240V 50 Hz)	70-23128-02	4	2
CABINET ASSEMBLY (240V 50 Hz)	70-23128-04	5	N/A
CABINET ASSEMBLY (240V 50 Hz)	70-23128-02	5	N/A
CABINET/MODULE ASSEMBLY (120V 60 Hz)	70-23127-01	4	1
CABINET/MODULE ASSEMBLY (240V 50 Hz)	70-23127-02	4	1
CABINET/MODULE ASSEMBLY 1 P.S. (50 Hz)	70-23127-04	4	1
CABINET/MODULE ASSEMBLY 1 P.S. (60 Hz)	70-23127-03	4	1
CABINET/SHIELD ASSEMBLY (120V 60 Hz)	70-23126-17	3	1
CABINET/SHIELD ASSEMBLY (120V 60 Hz)	70-23126-07	3	1
CABINET/SHIELD ASSEMBLY (120V 60 Hz)	70-23126-05	3	1
CABINET/SHIELD ASSEMBLY (120V 60 Hz)	70-23126-15	4	N/A
CABINET/SHIELD ASSEMBLY (120V 60 Hz)	70-23126-07	4	N/A
CABINET/SHIELD ASSEMBLY (120V 60 Hz)	70-23126-15	3	1
CABINET/SHIELD ASSEMBLY (120V 60 Hz)	70-23126-17	4	N/A
CABINET/SHIELD ASSEMBLY (120V 60 Hz)	70-23126-05	4	N/A
CABINET/SHIELD ASSEMBLY (240V 50 Hz)	70-23126-18	4	N/A
CABINET/SHIELD ASSEMBLY (240V 50 Hz)	70-23126-06	3	1
CABINET/SHIELD ASSEMBLY (240V 50 Hz)	70-23126-16	4	N/A
CABINET/SHIELD ASSEMBLY (240V 50 Hz)	70-23126-18	3	1
CABINET/SHIELD ASSEMBLY (240V 50 Hz)	70-23126-16	3	1
CABINET/SHIELD ASSEMBLY (240V 50 Hz)	70-23126-06	4	N/A
CABINET/SHIELD ASSEMBLY (240V 50 Hz)	70-23126-08	3	1
CABINET/SHIELD ASSEMBLY (240V 50 Hz)	70-23126-08	4	N/A
Cable Assembly No. 2, DC On/Off Auxiliary Power Supply	70-20199-01	5	8

# INDEX BY DEC PART DESCRIPTION

## HSC90/60 STORAGE CONTROLLERS

DESCRIPTION	DEC PART NO.	FIG. NO.	ITEM NO.
Cable Assembly, Airflow Sensor	17-01275-01	5	6
Cable Assembly, Async 25 Ft Null Modem	BC22D-25	2	Not Shown
Cable Assembly, Async 25 Ft Null Modem	BC22D-25	1	Not Shown
Cable Assembly, Aux. P/S Interconnect	70-19683-01	9	8
Cable Assembly, Blower AC Line	17-01276-03	5	57
Cable Assembly, Blower AC Line	17-01276-02	5	57
Cable Assembly, CI Connector	17-00717-01	5	55
Cable Assembly, DC On/Off Aux. P/S No. 1 (deleted)	70-20198-01	9	7
Cable Assembly, DC On/Off Power Supply	70-20197-01	8	10
Cable Assembly, DC On/Off Switch	17-01231-02	5	69
Cable Assembly, ESD Wrist Strap	12-24023-02	10	6
Cable Assembly, Floppy Signal	17-01167-01	5	68
Cable Assembly, OCP/Backplane	17-01215-01	5	67
Cable Assembly, PDP-11	70-08288-8F	1	Not Shown
Cable Assembly, PDP-11	70-08288-8F	2	Not Shown
Cable Assembly, Power Supply Airflow Sensor	70-20203-01	8	9
CABLE ASSEMBLY, REAR SHIELD/CI	70-23140-01	5	53
Cable Assembly, Relay to Power Controller Airflow Sensor	17-01231-01	5	7
Cable Assembly, Shielded Coax	17-00958-01	5	49
Cable Assembly, Shielded Coax	17-00958-01	5	46
Cable Assembly, Standard Power Supply Interconnect No. 2	70-19681-01	8	8
Chassis Assembly, Riveted	70-23137-01	5	2
Circuit, Flex-Bus Power	17-01265-01	5	38
Clamp, SI Cable	74-33488-01	3	19
Clip, Snap-In Flat Cable	12-22950-02	5	66
Connector, 2 Position Jumper	12-18783-00	7	4
Controller Assembly, Power (120V 3-Phase 9 Outlet)	30-24374-01	5	44
Controller Assembly, Power (240V 3-Phase 9 Outlet)	30-24374-02	5	44
CONTROLLER, HSC60 STORAGE	N/A	2	N/A
CONTROLLER, HSC90 STORAGE	N/A	1	N/A
Cord, Power	BN03A-2E	2	Not Shown
Cord, Power (Central Europe)	BN03A-2E	1	Not Shown
Cover Weldment, Top	70-19675-01	3	3
Cover, Jumper Bar	74-32314-01	5	39
Cover, Wiring Duct	12-21394-04	5	23
Documentation, "HSC Installation Manual"	EK-HSCMN-IN	2	Not Shown
Documentation, "HSC Installation Manual"	EK-HSCMN-IN	1	Not Shown
DOOR ASSEMBLY, FRONT	70-23131-01	11	N/A
DOOR ASSEMBLY, FRONT	70-23131-01	10	1
DOOR ASSEMBLY, REAR	70-23125-01	16	N/A
DOOR ASSEMBLY, REAR	70-23125-01	3	2
Door Weldment, Front	70-22490-01	11	1
Door Weldment, Rear	70-22489-01	16	1
DOOR/OCF ASSEMBLY, FRONT	70-23130-01	10	N/A
DOOR/OCF ASSEMBLY, FRONT	70-23130-01	5	24
DUCT ASSEMBLY, OUTLET	70-23219-01	5	58
DUCT ASSEMBLY, OUTLET	70-23219-01	15	N/A
Duct Weldment Assembly, Outlet	70-23220-01	15	1
Duct, Wiring	12-21394-04	5	21
Fastener, 1/4 Turn	12-14390-04	15	6
Fastener, Allen Head	12-12972-06	16	4
FLOPPY DRIVE/BRACKET ASSEMBLY	70-23129-01	7	N/A
FLOPPY DRIVE/BRACKET ASSEMBLY	70-23129-01	5	5

**INDEX BY DEC PART DESCRIPTION**  
**HSC90/60 STORAGE CONTROLLERS**

DESCRIPTION	DEC PART NO.	FIG. NO.	ITEM NO.
Foam, Acoustic	74-27801-05	15	2
Foam, Air Filter	12-13121-22	11	5
Foam, Tape (Black)	90-08274-00	9	3
Foam, Tape .3/8 x 3/9 Black	90-08274-02	8	3
Foot, Leveler	90-07601-01	3	23
Frame Assembly	70-20193-01	6	1
FRAME ASSEMBLY	70-20031-01	6	N/A
FRAME ASSEMBLY	70-20031-01	5	1
Frame Weldment Assembly, Extender	70-22488-01	5	32
Gasket, Rear Door	74-33501-01	3	16
Gasket, Rear Door (Bottom)	74-33501-02	3	17
Grommet, Retainer	12-12972-03	16	3
Guide, Nylon Card (Brown-Red)	12-17010-05	5	29
Guide, Nylon Card (Brown-Red)	12-17010-06	5	30
Harness Assembly, Backplane to Power Supply Interconnect	17-01266-01	5	41
Harness Assembly, OCP Wire	17-01203-01	12	4
Harness Assembly, OCP/Rocker Switch Wire	17-01202-01	12	3
Harness Assembly, Standard Power Supply Interconnect	70-19680-01	8	7
Harness Assembly, Wire	17-01267-01	5	52
Holder Weldment, Floppy Disk	70-23206-01	10	8
Holder, Cable Tie	12-22992-01	5	65
HSC60-AA (120V 60 Hz)	HSC60-AA	2	N/A
HSC60-AB (240V 50 Hz)	HSC60-AB	2	N/A
HSC60-BA (120V 60 Hz)	HSC60-BA	2	N/A
HSC60-BB (240V 50 Hz)	HSC60-BB	2	N/A
HSC90-AA (120V 60 Hz)	HSC90-AA	1	N/A
HSC90-AB (240V 50 Hz)	HSC90-AB	1	N/A
HSC90-BA (120V 60 Hz)	HSC90-BA	1	N/A
HSC90-BB (240V 50 Hz)	HSC90-BB	1	N/A
I/O BULKHEAD ASSEMBLY, BOTTOM	70-23135-01	5	45
I/O BULKHEAD ASSEMBLY, TOP	70-23134-01	5	48
Inlet Weldment Assembly, Blower	70-19251-01	5	34
KIT, CACHE MEMORY OPTION	HSC9X-BA	2	Not Shown
Kit, HSC Software Bin RX33	QX926-H7	1	Not Shown
Kit, HSC Software Bin RX33	QX926-H7	2	Not Shown
KIT, HSC90 CACHE MEMORY OPTION	HSC9X-BA	1	Not Shown
KIT, K.SDI INTERFACE	HSC5X-BA	2	Not Shown
KIT, K.SDI INTERFACE (to 4 SDI Disk Drives)	HSC5X-BA	1	Not Shown
KIT, K.SI INTERFACE (to 8 SDI DISK DRIVES)	HSC9X-FA	2	Not Shown
KIT, K.SI INTERFACE (to 4 SDI Disk Drives or 4 STI Tape Formatters)	HSC5X-DA	1	Not Shown
KIT, K.SI INTERFACE (to 4 SDI Disk Drives)	HSC5X-DA	2	Not Shown
KIT, K.SI INTERFACE (to 8 SDI Disk Drives)	HSC9X-FA	1	Not Shown
KIT, K.STI INTERFACE	HSC5X-CA	2	Not Shown
KIT, K.STI INTERFACE (to 4 STI Tape Formatters)	HSC5X-CA	1	Not Shown
Label, "Bar Code 1.80 Inch x 0.75 Inch"	36-21711-13	1	Not Shown
Label, "Bar Code 1.80 Inch x 0.75 Inch"	36-21711-13	2	Not Shown
Label, "Bar Code"	36-21711-15	9	Not Shown
Label, "Bar Code"	36-21711-15	8	Not Shown
Label, "Cable Bar Code 2.2 Inch x 0.9 Inch"	36-21711-15	1	Not Shown
Label, "Cable Bar Code 2.2 Inch x 0.9 Inch"	36-21711-15	2	Not Shown
Label, "Card Cage Module"	36-21684-02	5	Not Shown
Label, "Card Cage Module HSC60"	36-21684-05	1	Not Shown

**INDEX BY DEC PART DESCRIPTION**  
**HSC90/60 STORAGE CONTROLLERS**

DESCRIPTION	DEC PART NO.	FIG. NO.	ITEM NO.
Label, "Card Cage Module HSC60"	36-21684-04	2	Not Shown
Label, "Card Cage"	36-21758-02	5	Not Shown
Label, "DC Power"	36-25418-01	5	Not Shown
Label, "Door Insert"	36-20763-01	13	4
Label, "FCC Class A"	36-17880-03	1	Not Shown
Label, "FCC Class A"	36-17880-03	2	Not Shown
Label, "FCC, Class A Peripheral"	36-17880-03	5	Not Shown
Label, "Ground"	36-13272-00	14	Not Shown
Label, "Ground Symbol (Black)"	36-12680-00	11	12
Label, "Power Supply"	90-09255-01	9	Not Shown
Label, "Rear Door I/O, HSC70"	36-21686-02	4	12
Label, "Secure/Enable"	36-25412-01	12	7
Label, "Serial/Power Universal, Made in USA"	36-17674-38	1	Not Shown
Label, "Serial/Power Universal, Made in USA"	36-17674-38	2	Not Shown
Label, "Serial/Power w/UL & CSA Logos"	36-17674-01	5	Not Shown
Label, "Warning, Air Inlet"	36-21683-01	4	11
Latch Assembly, Locking Door w/2 Keys	12-25411-01	11	11
Latch, Hook-End Draw	12-19380-01	15	3
MECHANICAL ASSEMBLY, HSC TOP	70-23139-08	2	1
MECHANICAL ASSEMBLY, HSC TOP	70-23139-18	2	1
MECHANICAL ASSEMBLY, HSC TOP	70-23139-05	3	N/A
MECHANICAL ASSEMBLY, HSC TOP	70-23139-07	2	1
MECHANICAL ASSEMBLY, HSC TOP	70-23139-05	1	1
MECHANICAL ASSEMBLY, HSC TOP	70-23139-17	2	1
MECHANICAL ASSEMBLY, HSC TOP	70-23139-16	3	N/A
MECHANICAL ASSEMBLY, HSC TOP	70-23139-16	1	1
MECHANICAL ASSEMBLY, HSC TOP	70-23139-15	3	N/A
MECHANICAL ASSEMBLY, HSC TOP	70-23139-08	3	N/A
MECHANICAL ASSEMBLY, HSC TOP	70-23139-15	1	1
MECHANICAL ASSEMBLY, HSC TOP	70-23139-06	1	1
MECHANICAL ASSEMBLY, HSC TOP	70-23139-18	3	N/A
MECHANICAL ASSEMBLY, HSC TOP	70-23139-17	3	N/A
MECHANICAL ASSEMBLY, HSC TOP	70-23139-07	3	N/A
MECHANICAL ASSEMBLY, HSC TOP	70-23139-06	3	N/A
Medallion, "HSC60"	74-38607-04	2	2
Medallion, "HSC90"	74-38607-07	1	2
Module, 32 MB Read/Write-Through	L0121-AA	2	Not Shown
Module, 32 MB Read/Write-Through	L0121-AA	1	Not Shown
Module, Blank	74-28263-01	1	Not Shown
Module, Blank	74-28263-01	2	Not Shown
Module, Disk Data Channel	L0108-YA	1	Not Shown
Module, Disk Data Channel	L0108-YA	2	Not Shown
Module, HSC50 K.PL (PLI Port Control)	L0107-YA	4	Not Shown
Module, HSC50 PILA (Packet Buffer Board)	L0109-00	4	Not Shown
Module, HSC70 Standard Memory	L0117-AA	4	Not Shown
Module, Interprocessor Link Interface	L0100-00	4	Not Shown
Module, J-11 I/O Processor	L0111-00	4	Not Shown
Module, J11 I/O Control Processor 18 MHz	L0111-YC	1	Not Shown
Module, K.IS 4 Port SI Channel Controller	L0119-YB	2	Not Shown
Module, K.PL12 (Port Processor)	L0124-00	1	Not Shown
Module, K.PL12 (Port Processor)	L0124-00	2	Not Shown
Module, K.SI 4 Port SI Channel Controller	L0119-YA	1	Not Shown
Module, K.SI 8 Port SI Channel Controller	L0119-YB	1	Not Shown
Module, L0118 w/CIX64 Compatability	L0118-YA	1	Not Shown



**INDEX BY DEC PART DESCRIPTION**  
**HSC90/60 STORAGE CONTROLLERS**

DESCRIPTION	DEC PART NO.	FIG. NO.	ITEM NO.
Module, L0118 x/CIX64 Compatability	L0118-YA	2	Not Shown
Module, M.STD4 (256 KB Cntrl Mem, 3 MB Prog. Mem, 512K Data Mem. & RZ33 Cntrl)	L0123-AA	1	Not Shown
Module, M.STD4 (256 KB Cntrl Mem, 3 MB Prog. Mem, 512K Data Mem. & RZ33 Cntrl)	L0123-AA	2	Not Shown
Module, Operator Control Panel	54-15286-01	13	2
Module, P.IOJ J11 PLCY Processor 18 MHz	L0111-YD	2	Not Shown
Module, PILA2 (Port Buffer)	L0125-00	1	Not Shown
Module, PILA2 (Port Buffer)	L0125-00	2	Not Shown
Module, Tape Data Channel	L0108-YB	2	Not Shown
Module, Tape Data Channel	L0108-YB	1	Not Shown
Mount, Adhesive Back Cable Tie	90-08264-00	5	64
Nut, Hex Ext. Tooth Lock Washer No. 1/4-20	90-08203-00	5	71
Nut, Hex Ext. Tooth Lock Washer No. 5/16 x 18	90-06568-00	5	73
Nut, Hex Ext. Tooth Lock Washer No. 6-32 (added)	70-20198-02	9	11
Nut, Hex No. 1/2 x 13	90-06596-00	3	24
Nut, Kep No. 10-32	90-06565-00	10	7
Nut, Kep No. 10-32	90-06565-00	3	9
Nut, Kep No. 10-32 x 3/8	90-06565-00	5	62
Nut, Kep No. 6-32	90-06560-00	8	12
Nut, Kep No. 6-32	90-06560-00	9	10
Nut, Kep No. 6-32	90-06560-00	10	4
Nut, Kep No. 8-32	90-06563-00	3	5
Nut, Tee No. 1/2-13	90-08878-00	3	27
Nut, Wing	90-11008-01	2	3
Nut, Wing	90-11008-01	1	3
OCP/BEZEL ASSEMBLY	70-23138-01	12	1
OCP/BEZEL ASSEMBLY	70-23138-01	13	N/A
OCP/COVER ASSEMBLY	70-23132-01	12	N/A
OCP/COVER ASSEMBLY	70-23132-01	10	2
PANEL ASSEMBLY, END (40 INCH)	70-19083-01	14	N/A
PANEL ASSEMBLY, END (40 INCH)	70-19083-01	3	4
Panel Weldment Assembly, End (40 Inch)	70-19082-01	14	1
Pin, Door	74-26709-01	16	14
Pin, Door Hinge	74-26147-00	11	9
Pin, Door Hinge	74-26147-00	16	12
Plate, Blank Front	74-26567-01	5	70
Plate, Card Cage Cover	74-26888-01	5	31
Plate, Floppy Drive Cover	74-31829-01	5	25
Plug, Button (White Nylon)	90-10648-02	3	18
Plug, Snap-In Hole	90-10648-02	16	15
POWER SUPPLY ASSEMBLY, AUXILIARY (120V 60 Hz)	70-20184-01	9	N/A
POWER SUPPLY ASSEMBLY, AUXILIARY (120V 60 Hz)	70-20184-01	5	27
POWER SUPPLY ASSEMBLY, AUXILIARY (240V 50 Hz)	70-20184-02	9	N/A
POWER SUPPLY ASSEMBLY, AUXILIARY (240V 50 Hz)	70-20184-02	5	27
POWER SUPPLY ASSEMBLY, STANDARD (120V 60 Hz)	70-20033-03	8	N/A
POWER SUPPLY ASSEMBLY, STANDARD (120V 60 Hz)	70-20033-03	5	26
POWER SUPPLY ASSEMBLY, STANDARD (240V 50 Hz)	70-20033-04	8	N/A
POWER SUPPLY ASSEMBLY, STANDARD (240V 50 Hz)	70-20033-04	5	26
Printer, LA70	LA70-AE	2	Not Shown
Printer, LA70	LA70-AE	1	Not Shown
Printer, LA70	LA70-AA	2	Not Shown
Printer, LA70	LA70-AA	1	Not Shown

# INDEX BY DEC PART DESCRIPTION

## HSC90/60 STORAGE CONTROLLERS

DESCRIPTION	DEC PART NO.	FIG. NO.	ITEM NO.
Printer, LA75	LA75-CA	2	Not Shown
Printer, LA75	LA75-AE	1	Not Shown
Printer, LA75	LA75-AE	2	Not Shown
Printer, LA75	LA75-CA	1	Not Shown
Regulator, Power Supply Switching (120V 60 Hz)	30-20199-01	8	2
Regulator, Power Supply Switching (120V 60 Hz)	30-20198-01	9	2
Regulator, Power Supply Switching (240V 50 Hz)	30-20199-02	8	2
Regulator, Power Supply Switching (240V 50 Hz)	30-20198-02	9	2
Relay, 12V Coil 100 mA	12-20996-01	5	43
Ring, Retaining	90-09273-02	16	10
Ring, Retaining	90-09273-02	11	8
Ring, Retaining	90-08500-00	16	5
Ring, Retaining	90-09644-01	16	13
Rivet, Blind	12-19042-00	14	3
Rivet, Blind Binder	90-10413-02	5	22
Roll Form Weldment Assembly (40 Inch)	70-19075-01	14	2
RX33 FLOPPY DRIVE	RX33-A	7	1
Screw, Assembly, Hex WW Female No. 4-40 x 5/16	12-15243-00	5	51
Screw, Phi Flat Hd No. 6-32 x 1/4	90-06021-01	12	2
Screw, Phi Pan Hd No. 8-32 x 3/8	90-06037-01	3	6
Screw, Self-Tap Truss Hd No. 10-32 x 1/2	90-00063-39	3	10
Screw, Sems Hex Slot Hd No. 10-16 x 1/2	90-00049-73	3	7
Screw, Sems Phi Hd No. 6-32 x 3/8	90-09984-00	5	33
Screw, Sems Phi Pan Hd No. 10-32 x 11/32	12-21368-03	3	20
Screw, Sems Phi Pan Hd No. 10-32 x 11/32	12-21368-03	4	4
Screw, Sems Phi Pan Hd No. 10-32 x 3/4	12-21368-03	5	35
Screw, Sems Phi Pan Hd No. 10-32 x 5/8	12-21368-04	6	6
Screw, Sems Phi Pan Hd No. 10-32 x 5/8	12-21368-02	4	3
Screw, Sems Phi Pan Hd No. 10-32 x 5/8	12-21368-02	5	12
Screw, Sems Phi Pan Hd No. 10-32 x 9/32	12-21368-04	6	3
Screw, Sems Phi Pan Hd No. 6-32 x 1-1/8	12-21368-01	5	37
Screw, Sems Phi Pan Hd No. 6-32 x 3/8	90-09984-00	15	4
Screw, Sems Phi Pan Hd No. 6-32 x 3/8	90-09984-00	13	3
Screw, Sems Phi Pan Hd No. 6-32 x 3/8	90-09984-00	8	5
Screw, Sems Phi Pan Hd No. 6-32 x 3/8	90-09984-00	9	5
Screw, Sems Phi Pan Hd No. 6-32 x 3/8	90-06022-01	3	15
Screw, Sems Phi Pan Hd No. 8-32 x 5/16	90-09984-06	9	6
Screw, Sems Phi Pan Hd No. 8-32 x 5/16	90-09984-06	8	6
Screw, Sems Plain Slot No. 10-32 x 3/8	90-00049-38	14	5
Screw, Sems Slotted Hex No. 1/4-20 x 3/4	90-09988-14	5	20
Shield, EMI/RFI (18 Fingers)	12-20580-21	16	7
Shield, EMI/RFI (34 Fingers)	12-20580-13	16	8
Shield, EMI/RFI (45 Fingers)	12-20580-15	11	6
Shield, EMI/RFI (45 Fingers)	12-20580-15	16	2
Shield, EMI/RFI (48 Fingers)	12-20580-16	11	10
Shield, EMI/RFI, 34 Contacts, Adhesive	12-20580-13	4	9
Shield, EMI/RFI, 43 Contacts, Adhesive	12-20580-14	4	10
Shield, EMI/RFI, 45 Contacts	12-20580-15	5	60
Shield, EMI/RFI, 57 Contacts	12-20580-17	5	10
Shield, EMI/RFI, 68 Contacts	12-16007-06	5	59
Shield, EMI/RFI, 68 Contacts, Adhesive	12-20580-19	4	8
Shield, EMI/RFI, 68 Contacts, Adhesive	12-16007-06	4	7
Shield, EMI/RFI, 8 Contacts	12-20580-08	5	9
Shield, Front (LH)	74-31953-01	5	4

**INDEX BY DEC PART DESCRIPTION**  
**HSC90/60 STORAGE CONTROLLERS**

DESCRIPTION	DEC PART NO.	FIG. NO.	ITEM NO.
Shield, Front (RH)	74-26906-01	5	3
Shield, Rear Bottom	74-31914-01	5	54
Shield, Side	74-27098-01	4	6
Shield, Spring	74-26725-01	5	42
Shield, Spring	74-26725-01	16	6
Shield, Top Cover	74-27100-01	4	5
Spring, Compression	12-16225-01	11	7
Spring, Hinge Compression	12-16225-01	16	11
Spring, Receptacle Fastener 1/4 Turn	12-12972-02	3	21
Stand, Printer Desk (replaces PCXXF-CF)	LJ25X-DS	1	Not Shown
Stand, Printer Desk (replaces PCXXF-CF)	LJ25X-DS	2	Not Shown
Standoff, Male/Female No. 6-32	12-19713-01	3	13
STOP ASSEMBLY, DOOR	70-19088-01	3	12
Stop, Front Door	70-22480-01	5	15
Strap, Ground	12-13756-28	5	61
Strap, Ground	12-13756-20	14	4
Strap, Ground	12-13756-12	5	14
Switch Assembly, Air Flow Sensor	12-26092-01	15	5
Switch, Illuminating DPST Rocker	12-25547-01	12	5
Switch, Rocker, Mini, On-Off (.5V 28V)	12-25435-01	5	28
Tape, Foam	12-12431-10	11	3
Tape, Foam	12-12431-09	11	4
Tape, Velcro	74-27794-05	11	2
Terminal, Mono White (UK/Ireland)	VT420-AE	1	Not Shown
Terminal, VT420 Amber (USA)	VT420-CA	2	Not Shown
Terminal, VT420 Mono Amber (USA)	VT420-CA	1	Not Shown
Terminal, VT420 White (UK/Ireland)	VT420-AE	2	Not Shown
Tie, Bundle Cable	90-07031-00	5	63
Tray Weldment Assembly, Standard P/S	70-19635-01	8	1
Tray Weldment Assembly, Auxiliary Power Supply	70-19636-01	9	1
Washer, External Tooth Lock No. 6	90-07649-00	9	9
Washer, Flat	90-06679-00	5	74
Washer, Flat	90-06659-00	10	3
Washer, Flat	90-06664-00	14	6
Washer, Flat	90-06676-00	5	72
Washer, Flat	90-09026-00	3	26
Washer, Lock	90-06636-00	10	5
Washer, Lock	90-06636-00	5	13
Washer, Lock No. 6	90-07649-00	8	11
Washer, Split Lock	90-09895-00	3	25

# READER'S COMMENTS

HSC90/60 STORAGE CONTROLLERS  
Illustrated Parts Breakdown  
EK-HSC96-IP-001

## 1. How did you use this manual? (Circle your response.)

- (a) Installation                      (c) Maintenance                      (e) Training  
(b) Operation/Use                      (d) Programming                      (f) Other (Please specify) \_\_\_\_\_

## 2. Did the manual meet your needs? Yes No Why? \_\_\_\_\_

## 3. Please rate the manual on the following categories. (Circle your response.)

	Excellent	Good	Fair	Poor	Unacceptable
Accuracy	5	4	3	2	1
Clarity	5	4	3	2	1
Completeness	5	4	3	2	1
Illustrations, examples	5	4	3	2	1
Overall ease of use	5	4	3	2	1
Table of Content, Index	5	4	3	2	1

## 4. What things did you like *most* about this manual? \_\_\_\_\_

## 5. What things did you like *least* about this manual? \_\_\_\_\_

## 6. Please list and describe any errors you found in the manual.

Page	Description/Location of Error
_____	_____
_____	_____
_____	_____
_____	_____

## 7. Which of the following most clearly describes your job ? (Circle your response.)

- (a) Administrative Support                      (e) System Manager                      (i) Education/Trainer  
(b) Manager/Supervisor                      (f) Computer Operator                      (j) Sales/Marketing  
(c) Scientist/Engineer                      (g) Software Support                      (k) Other (Please specify) \_\_\_\_\_  
(d) Programmer/Analyst                      (h) Hardware Support

### OPTIONAL INFORMATION

Name \_\_\_\_\_ Job Title \_\_\_\_\_  
Street \_\_\_\_\_ Company \_\_\_\_\_  
City \_\_\_\_\_ Department \_\_\_\_\_  
State/Country \_\_\_\_\_ Telephone Number \_\_\_\_\_  
Postal (ZIP) Code \_\_\_\_\_ Date \_\_\_\_\_

**THANK YOU FOR YOUR COMMENTS AND SUGGESTIONS.**

Please do not use this form to order manuals. Contact your representative at Digital Equipment Corporation or (in the USA) call our DECdirect™ department at this toll-free number : 800-258-1710