

**ILLUSTRATED
PARTS
BREAKDOWN**

**HSC50
STORAGE CONTROLLER**

ILLUSTRATED PARTS BREAKDOWN (IPB)
The IPB is used to identify a part and its location in a hardware product. The document references specific item numbers in the associated parts list.

HOW TO USE THE IPB

1. Locate the figure containing the item of interest.
2. Locate the number (callout) of the item of interest.
3. Locate that item number in the associated parts list.

FORMAT

Each IPB is generally organized based on its first figure. All other assemblies and subassemblies are referenced from this figure. Each figure contains numeric callouts of all major parts (items).

PARTS LIST

Each parts list contains the following:

Figure and Item No. – Lists the figure number and its referenced numeric callout

Description – Presents the name and a brief description of the item. A single asterisk (*) preceding the description

denotes item is a subassembly to its referenced figure. A double asterisk (**) preceding the description indicates that this item is subordinate to the preceding single asterisk item.

DEC Part No. – Lists the Digital/Vendor part number. The letter in the column heading indicates the current revision level of the Engineering Drawing for the referenced figure.

ECO Cut-In – Lists the top assembly drawing number and revision level at first printing. All additional revisions to an item are listed in this column.

Used On Code – Lists letters referring to the product variation assigned in Figure 1. When this column is blank, the item is used in all options.

Ref Fig No. – Lists a cross reference between figures within the IPB.

PART NUMBER/PART DESCRIPTION INDEX SECTION

Lists items by part number numerically, and description alphabetically. Items are also referenced to a location within the IPB by figure and item number.

ECO/REVISION HISTORY

**OTHER IPB
MANUALS
REFERENCED**

FIGURE NO.	ASSEMBLY	INITIAL LEVEL	CURRENT LEVEL	PRINTING DATE	OTHER IPB MANUALS REFERENCED
1	HSC50	00001	00018	31-AUG-91	EK-0LA50-IP EK-0LA75-IP EK-VT220-IP EK-VT320-IP EK-VT420-IP EK-0RX33-IP
1A	HSC50	00018	00023		
2	70-20025	00000	00006		
2A	70-20025	HSC50-00015	HSC50-00015		
3	70-20028	00000	00000		
3A	70-20028	HSC50-00015	HSC50-00015		
4	70-20030	00003	HSC50-00015		
4A	70-20030	HSC15-00015	HSC50-00021		
5	70-20031	00000	00001		
6	70-20032	7020025-00001	7020025-00001		
7	70-20033	7020030-00004	HSC50-00015		
8	70-19122	00003	HSC50-00015		
9	70-20613	7019122-00002	HSC50-00015		
10	70-20526	7019122-00002	HSC50-00015		
11	70-21036	00000	HSC50-00015		
11A	70-21036	HSC50-00015	HSC50-00015		
12	70-20184	00004	HSC5X-00002		
13	70-20191	00001	HSC70-00003		
13A	70-23219	HSC50-00015	HSC50-00015		
14	70-20024	00000	HSC50-00015		
14A	70-23135	HSC50-00015	HSC50-00015		
15	70-19083	00001	00001		
16	70-20026	00002	HSC50-00015		
16A	70-23125	HSC50-00015	HSC50-00015		
17	70-20185	00000	00000		
17A	70-20185	00002	00002		
18	70-20027	00001	00001		
18A	70-20027	HSC50-00015	HSC50-00015		
19	70-20186	00002	00002		
20	70-20524	00004	7020525-00002		
20A	70-23138	00002	00002		

Digital Equipment Corporation reserves the right, without notice, to make substitutions and modifications in the specifications of products documented in this manual and further reserves the right to withdraw any of these products from the market without notice.

Digital Equipment Corporation is not responsible for errors which may appear in the technical description (including illustrations and photographs) of the products covered by this manual.

None of the descriptions contained in this manual imply the granting of any license whatsoever to make, use or sell equipment constructed in accordance therewith.

Restricted Rights: Use, duplication or disclosure by the U.S. Government is subject to restrictions as set forth in subparagraph (c) (1) (ii) of the Rights in Technical Data and Computer Software clause at DFARS 252.227-2713.

Copyright © 1987,1988, 1991 by Digital Equipment Corporation. All rights reserved.
Printed in U.S.A.

The postage-paid READER'S COMMENTS form on the last page of this document requests your critical evaluation to assist us in preparing future documentation.

The following are trademarks of Digital Equipment Corporation :

DECdirect, HSC40, HSC50, HSC60, HSC70, HSC90, LA50, LA70, LA75, PDP-11, RX33, VT220, VT320, VT420 and the DIGITAL logo.

HSC50-01-BD

Figure 1. HSC50 Storage Controller (Original Design)

FIG. & ITEM NO.	DESCRIPTION	DEC PART NO.	ECO CUT-IN HSC50 00001	USED ON CODE	REF FIG NO.
1-	HSC50 STORAGE CONTROLLER (Original Design) (See Figure 1A for Modified Design)				
	Code A - Used on Model HSC50-AA (120V 60Hz)	HSC50-AA		A	
	Code B - Used on Model HSC50-AB (240V 50Hz)	HSC50-AA		B	
1	*MECHANICAL ASSEMBLY, HSC50 TOP (120V 60 Hz)	70-20025-01		A	2,2A
	*MECHANICAL ASSEMBLY, HSC50 TOP (240V 50 Hz)	70-20025-02		B	2,2A
	PRINTERS (Not Shown)				
	*LA12 DECwriter Correspondent (deleted) (See Note 1)	LA12-DB	00009	A	
	*LA50 Compact Printer (added) (See Note 2)	LA50-RA	00009	A	
	*LA50 Compact Printer (deleted)	LA50-RA	00012	A	
	*LA75 Dot Matrix Printer (added) See Note 3)	LA75-CA	00012	A	
	*LA50 Compact Printer (added)	LA50-RC	00009	B	
	*LA50 Compact Printer (deleted)	LA50-RC	00012	B	
	*LA75 Dot Matrix (added)	LA75-AE	00012	B	
	TERMINALS (Not Shown)				
	*VT220 Video Terminal (added) (See Note 4)	VT220-A2	00009	A	
	*VT220 Video Terminal (deleted)	VT220-A2	00010	A	
	*VT220 Video Terminal (added)	VT220-D2	00010	A	
	*VT220 Video Terminal (added)	VT220-A3	00009	B	
	*VT220 Video Terminal (deleted)	VT220-A3	00010	B	
	*VT220 Video Terminal (added)	VT220-D3	00010	B	
	ACCESSORIES (Not Shown)				
	*Basket, LA50 Paper (added)	LA50X-FF	00009		
	*Stand, LA50 Desk (added)	PCXXF-CF	00009		
	*Documentation, "HSC Installation Manual"	EK-HSCMN-IN			
	NOTE 1: See IPB Manual EK-CPL12-IP. NOTE 2: See IPB Manual EK-0LA50-IP. NOTE 3: See IPB Manual EK-0LA75-IP. NOTE 4: See IPB Manual EK-VT220-IP.				

FIG.& ITEM NO.	DESCRIPTION	DEC PART NO.	ECO CUT-IN HSC50 00001	USED ON CODE	REF FIG NO.
1-	HSC50 OPTIONS (Not Shown)				
	*POWER SUPPLY KIT, OPTIONAL (120V 60 Hz)	HSC5X-EA		A	
	**POWER SUPPLY ASSEMBLY, OPTIONAL	70-20184-01		A	13
	*POWER SUPPLY KIT, OPTIONAL (240V 50 Hz)	HSC5X-EB		B	
	**POWER SUPPLY ASSEMBLY, OPTIONAL	70-20184-02		B	13
	**Cable Assembly, DC On/Off Power Supply	70-20199-01			
	**Cable Assembly, Backplane to P/S Ground	70-19685-01			
	**Cable Assembly, Backplane to P/S (+5V)	70-19685-02			
	**Screw, Sems Phi Truss Hd No. 10-32 x 1/2	90-09700-00			
	**Washer Ext Tooth Lock No. 10	90-07651-00			
	**Nut, Kep No. 10-32	90-06565-00			
	*DATA CHANNEL, DISK	HSC5X-BA			
	**Module, KSDI (Connects to 4 Disks)	L0108-YA			
	**Label, "Card Cage"	36-21758-01			
	*DATA CHANNEL, TAPE	HSC5X-CA			
	**Module, KSTI (Connects to 4 Tape Formatters)	L0108-YB			
	**Label, "Card Cage"	36-21758-01			
	*Module, Blank	74-28263-01			
	MODULES/CABLES/CARTRIDGES (Not Shown)				
	*Module, P.IOC	L0105-00			
	*Module, M.STD	L0106-AA			
	*Module, K.PLI	L0107-YA			
	*Module, PILA	L0109-00			
	*Module, Interprocessor Link Interface	L0100-00			
	*Cable Assembly, Async. Null Modem (deleted)	BC22D-10			
	*Cable Assembly, Async. Null Modem (added)	BC22D-25	00009		
	*Firmware, HSC50 Disk/Tape Server (deleted)	ZD300-CG	00009		
	*Software, HSC50 w/TU58 Bin (added)	QX926-HG	00009		
	*Cartridge, TU58 Media (deleted)	TU58-K	00009		
	*Cable, Central Europest IEC32 (250V)	BN03A-2E	00009		
	*Cable, PC200-PC399 Printer (added)	BCC05-10	00009		
	*Cable, PC200-PC399 Printer (deleted)	BCC05-10	00012		
	*Adaptor, Passive 9 Pin Dsub, Male to MMJ (added)	H8571-B	00012		

FIG. & ITEM NO.	DESCRIPTION	DEC PART NO. ^P	ECO CUT-IN HSC50 00001	USED ON CODE	REF FIG NO.
1-	<p style="text-align: center;">POWER CORDS (Not Shown)</p> <p>*Cord, Power Term. (250V 50 Hz) (added)</p> <p>*Cord, Power Term. (250V 50 Hz) (deleted)</p> <p style="text-align: center;">KITS (Not Shown)</p> <p>*Country Kit, "VT220 Keyboard" (USA/Canada) (added)</p> <p>*Country Kit, "VT220 Keyboard" (UK) (added)</p> <p>*Country Kit, "VT220 Keyboard" (UK) (deleted)</p> <p>*Country Kit, "VT220 Keyboard" (UK & Ireland)</p>	<p>17-00083-06</p> <p>17-00083-06</p> <p>VT22K-AA</p> <p>VT22K-AE</p> <p>VT22K-AE</p> <p>VT22K-EE</p>	<p>00004</p> <p>00009</p> <p>00009</p> <p>00009</p> <p>00013</p> <p>00013</p>	<p>B</p> <p>B</p> <p>A</p> <p>B</p> <p>B</p> <p>B</p>	

HSC50-01A-BD

Figure 1A. HSC50 Storage Controller (Modified Design)

FIG. & ITEM NO.	DESCRIPTION	DEC PART NO.	ECO CUT-IN HSC50 00018	USED ON CODE	REF FIG NO.
1A-	HSC50 STORAGE CONTROLLER (Modified Design)				
	Code A - Used on Model HSC50-AA (120V 60 Hz)	HSC50-AA		A	
	Code B - Used on Model HSC50-AB (240V 50 Hz)	HSC50-AB		B	
1	*MECHANICAL ASSEMBLY, HSC50 TOP	70-20025-01		A	2A
	*MECHANICAL ASSEMBLY, HSC50 TOP	70-20025-02		B	2A
2	*LA75 Dot Matrix Printer	LA75-CA		A	
	*LA75 Dot Matrix Printer (See IPB Manual EK-0LA75-IP)	LA75-AE		B	
3	*VT320 Video Terminal	VT320-GA		A	
	*VT320 Video Terminal (See IPB Manual EK-VT320-IP)	VT320-AE		B	
	MODULES/CABLES/CARTRIDGES (Not Shown)				
	*Module, P.IOC (F11 Proc & I/O Control)	L0105-00			
	*Module, M.STD (128K Data)	L0106-AA			
	*Module, K.PLI (PLI Port Control)	L0107-YA			
	*Module, PILA (Packet Buffer Board)	L0109-00			
	*Module, ILI (CI Link Interface)	L0100-00			
	*Cable Assembly, Async Null Modem 25 Ft	BC22D-25			
	*Software, HSC50 w/TU58 Bin	QX926-HG			
	*Cable, Central Europest IEC32 (250V)	BN03A-2E		B	
	HSC50 OPTIONS (Not Shown)				
	*POWER SUPPLY KIT, OPTIONAL (120V 60Hz)	HSC5X-EA		A	
	**POWER SUPPLY ASSEMBLY, OPTIONAL	70-20184-01		A	12
	*POWER SUPPLY KIT, OPTIONAL (240V 50Hz)	HSC5X-EB		B	
	**POWER SUPPLY ASSEMBLY, OPTIONAL	70-20184-02		B	12
	**Cable Assembly, DC On/Off Power Supply	70-20199-01			
	**Cable Assembly, Backplane to P/S Ground	70-19685-01			
	**Cable Assembly, Backplane to P/S (+5V)	70-19685-02			
	**Screw, Sems Phi Trus Hd No. 10-32 x 1/2	90-09700-00			
	**Washer Ext Tooth Lock No. 10	90-07651-00			
	**Nut, Kep No. 10-32	90-06565-00			
	*DATA CHANNEL, DISK (KSDI Interface Kit)	HSC5X-BA			
	**Module, KSDI (Connects to 4 SDI Disks Drives)	L0108-YA			
	**Label, "Card Cage"	36-21758-01			

THIS PAGE INTENTIONALLY LEFT BLANK

HSC50-02-BD

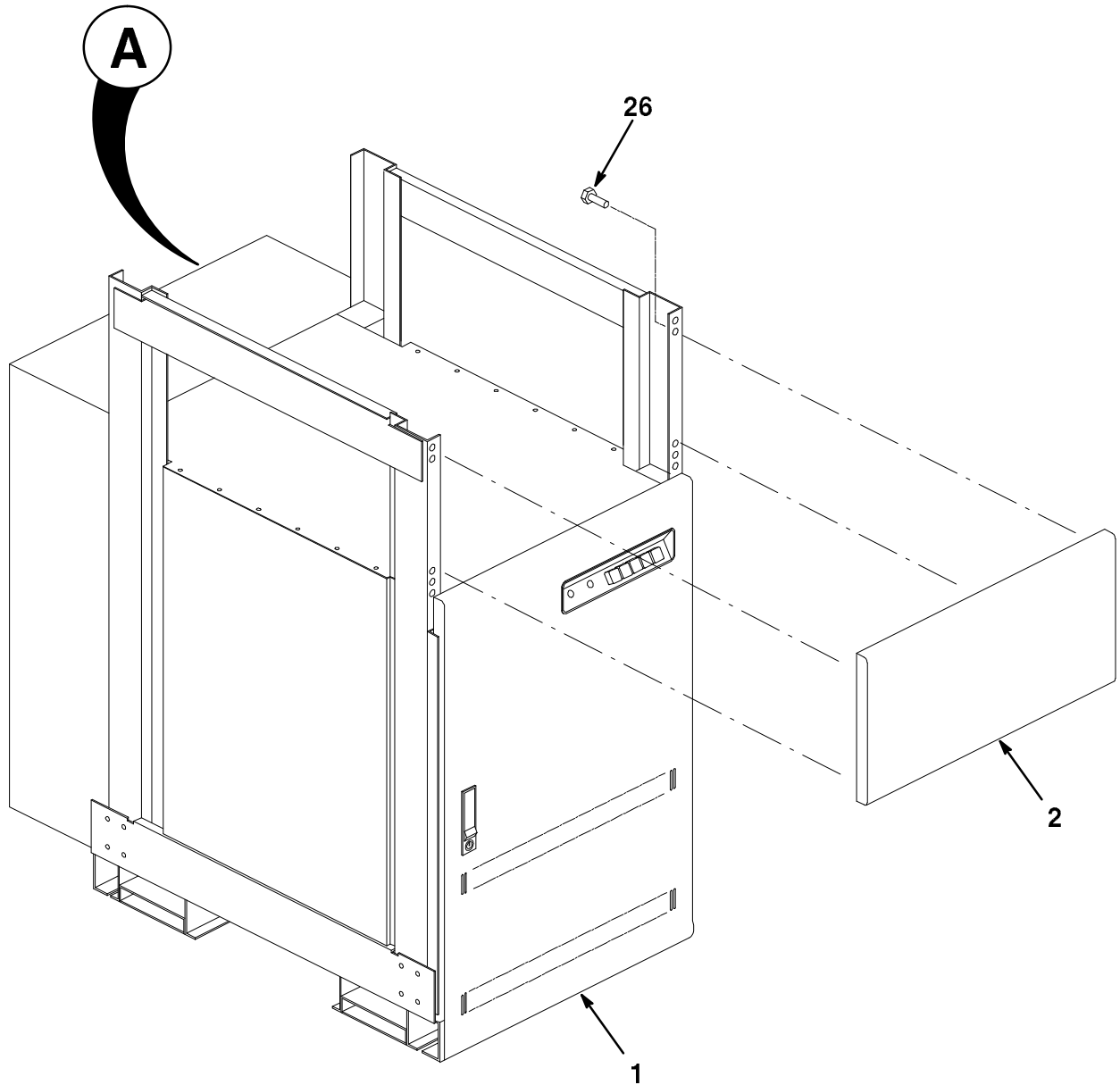
Figure 2. Mechanical Assembly, HSC50 Top (Original Design) (Sheet 1 of 2)

HSC50-02A-BD

Figure 2. Mechanical Assembly, HSC50 Top (Original Design) (Sheet 2 of 2)

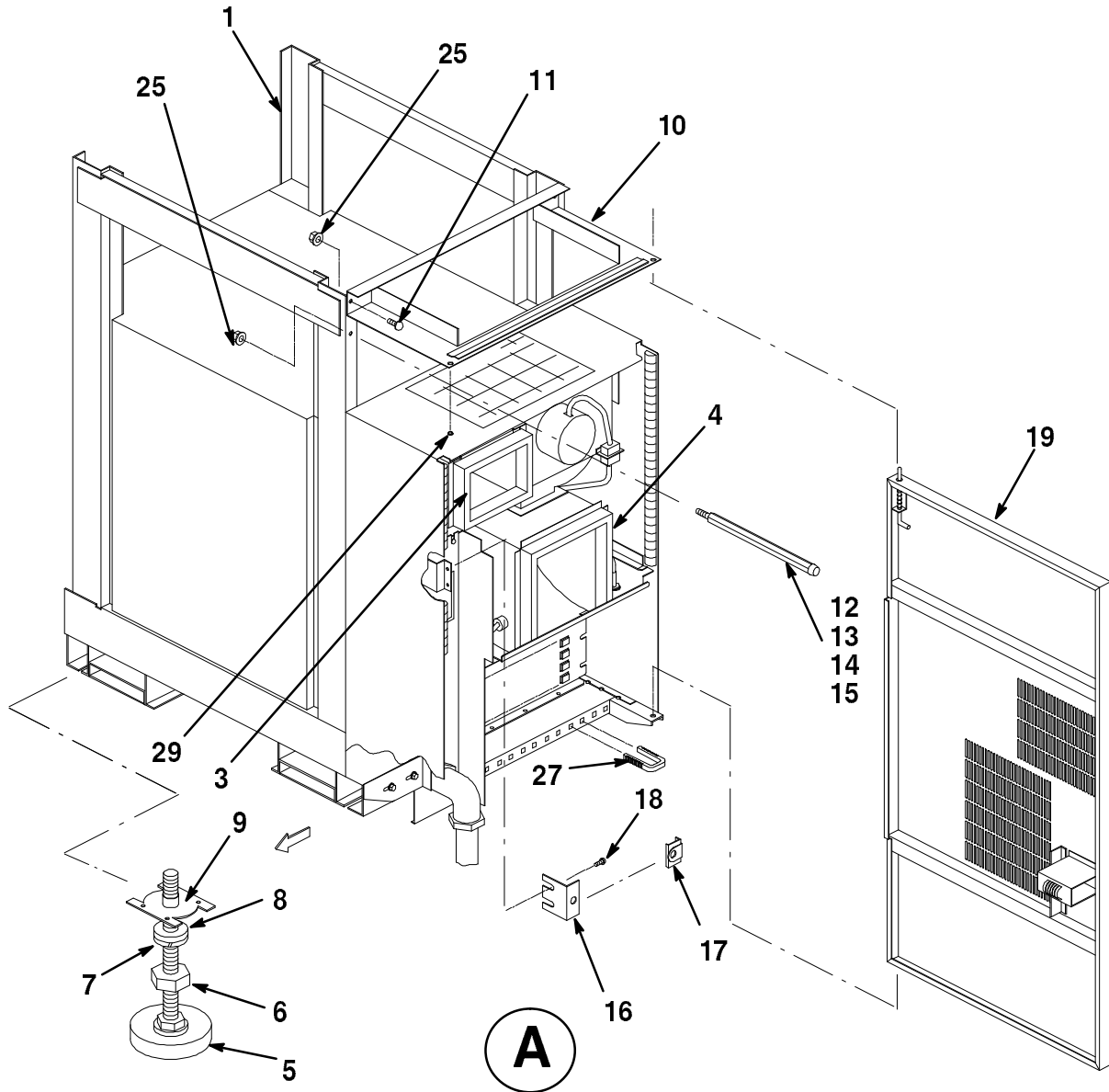
FIG.& ITEM NO.	DESCRIPTION	DEC PART NO.	ECO CUT-IN 70-20025 00000	USED ON CODE	REF FIG NO.
2-	MECHANICAL ASSEMBLY, HSC50 TOP MECHANICAL ASSEMBLY, HSC50 TOP (ORIGINAL DESIGN)	70-20025-01 70-20025-02		A A	1 1
	(SEE FIGURE 2A FOR MODIFIED DESIGN)				
1	*CABINET/SHIELD ASSEMBLY (120V 60 Hz)	70-20028-01		A	3
	*CABINET/SHIELD ASSEMBLY (240V 50 Hz)	70-20028-02		B	3
2	*Bezel, Snap-On (10-1/2 In)(deleted)	74-15314-00			
	*Bezel Assembly, (10-1/2 In)(added)	70-23906-01	00001		
3	*Pin, Pilot (deleted)	74-15711-02			
	*Screw, Sems Hex Slot Hd No. 10-16 x 1/2 (added)	90-00049-73	00006		
4	*Nut, Kep No. 10-32	90-06565-00			
5	*Foot, Leveler No. 1/2-13	90-07601-01			
6	*Nut, Hex No. 1/2-13	90-06596-00			
7	*Washer, Split Lock	90-09895-00			
8	*Washer, Flat	90-09026-00			
9	*Nut, Weld No. 1/2-13	90-08878-00			
10	*Bracket Assembly, Rear Vent Support	70-19674-01			
11	*Screw, Sems Phi Truss Hd No. 10-32 x 1/2	90-09700-00			
12	*STOP ASSEMBLY, DOOR	70-19088-01			
13	**Standoff, Male/Female No. 6-32	12-19713-01			
14	**Bumper, Screw Mount Rubber	90-09168-00			
15	**Screw, Phi Pan Hd No. 6-32 x 3/8	90-06022-01			
16	*Bracket, Rear Door Lock	74-27182-01			
17	*Spring, 1/4 Turn Receptacle Fastener	12-12972-02			
18	*Screw, Sems Phi Pan Hd No. 10-32 x 11/32	12-21368-03			
19	*DOOR ASSEMBLY, REAR	70-20026-01			16
20	*PANEL ASSEMBLY, END (40 INCH)	70-19083-01			15
21	*Cover, Top	70-19675-01			
22	*Screw, Phi Pan Hd No. 8-32 x 3/8	90-06037-01			
23	*Nut, Kep No. 8-32 x 11/32	90-06563-00			
24	*Cable Assembly, 8.5 Ft (Not Shown)(See Note)	70-08288-8F			
25	*Plug, Snap-In (added)	90-10648-02	00005		
	LABELS/DECALS (Not Shown)				
	*Label, "Serial/Power w/UL and CSA"	36-17674-01		B	
	*Label, "Serial/Power, Universal"	36-17674-38			
	*Label, "Serial/Power w/o UL and CSA"	36-17674-00		B	
	*Label, "F.C.C. , Class A, Peripheral"	36-17880-03		A	
	*Decal, "U.L."	74-16197-02		B	
	*Decal, "C.S.A."	36-13211-00		B	
	*Label, "F.C.C."(deleted)	36-18307-05	00005	A	
	NOTE: Item 24 is shipped as a loose piece part.				

THIS PAGE INTENTIONALLY LEFT BLANK



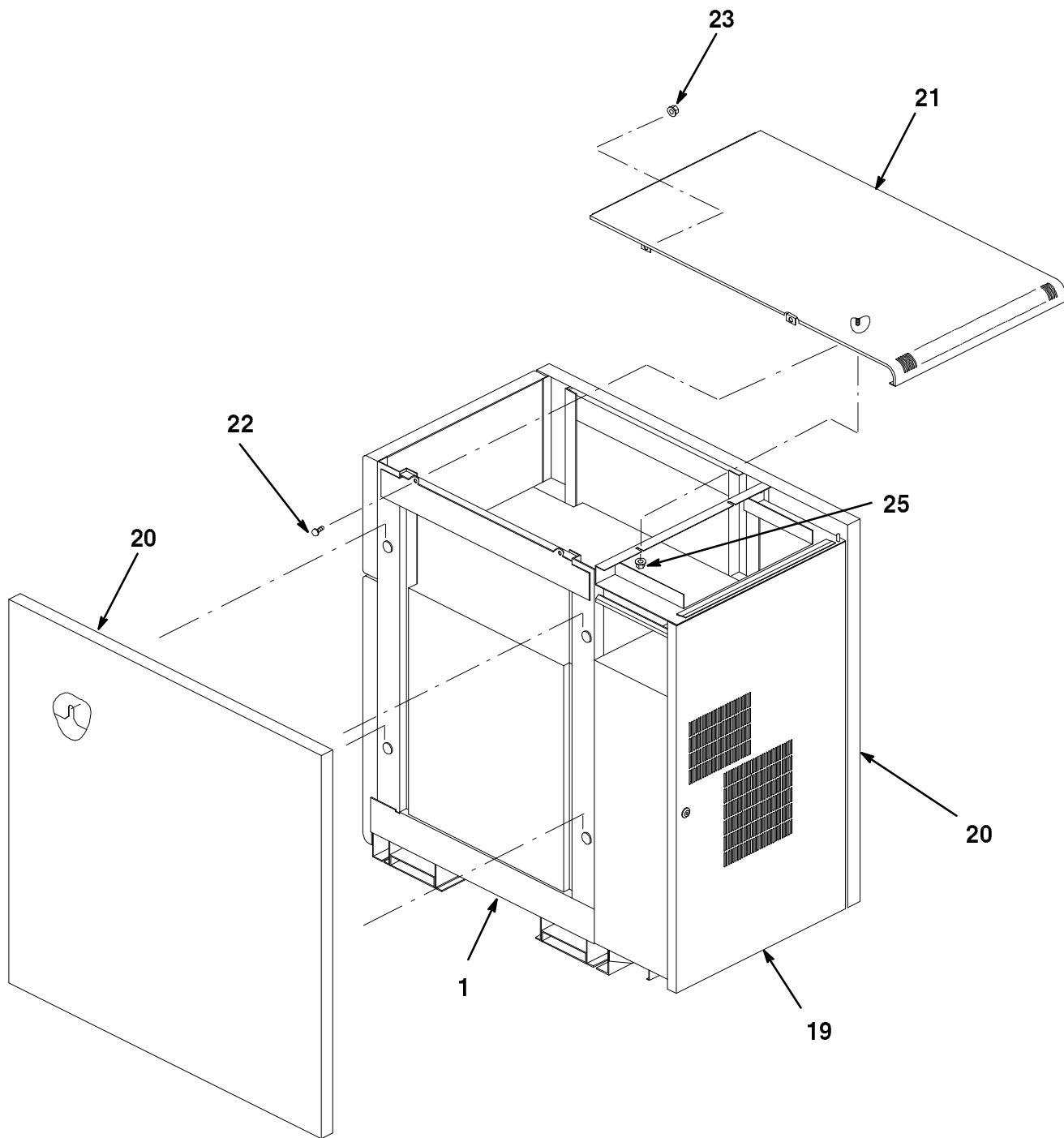
HSC50-02B-IL

Figure 2A. Mechanical Assembly, Top (Modified Design) (Sheet 1 of 3)



HSC50-02C-IL

Figure 2A. Mechanical Assembly, HSC50 Top (Modified Design) (Sheet 2 of 3)



HSC50-02D-IL

Figure 2A. Mechanical Assembly, HSC50 Top (Modified Design) (Sheet 3 of 3)

FIG. & ITEM NO.	DESCRIPTION	DEC PART NO.	ECO CUT-IN HSC50 00015	USED ON CODE	REF FIG NO.
2A-	MECHANICAL ASSEMBLY, HSC50 TOP (1 P.S.)	70-20025-01		A	1A
	MECHANICAL ASSEMBLY, HSC50 TOP (1 P.S.)	70-20025-02		B	1A
	MECHANICAL ASSEMBLY, HSC50 TOP (2 P.S)	70-20025-03		A	1A
	MECHANICAL ASSEMBLY, HSC50 TOP (2 P.S.) (MODIFIED DESIGN)	70-20025-04		B	1A
1	*CABINET/SHIELD ASSEMBLY (1 P.S. 60 Hz)	70-20028-01		A	3A
	*CABINET/SHIELD ASSEMBLY (1 P.S. 50 Hz)	70-20028-02		B	3A
	*CABINET/SHIELD ASSEMBLY (2 P.S. 60 Hz)	70-20028-03		A	3A
	*CABINET/SHIELD ASSEMBLY (2 P.S. 50 Hz)	70-20028-04		B	3A
2	*Bezel Assembly, (10-1/2 Inch)	70-23906-01			
3	*Gasket, Rear Door	74-33501-01			
4	*Gasket, Rear Door, Lower	74-33501-02			
5	*Foot, Leveler (No. 1/2-13)	90-07601-01			
6	*Nut, Hex No. 1/2-13	90-06596-00			
7	*Washer, Split Lock	90-09895-00			
8	*Washer, Flat	90-09026-00			
9	*Nut, Weld No. 1/2-13	90-08878-00			
10	*Bracket Assembly, Rear Vent Support	70-19674-01			
11	*Screw, Sems Phi Truss Hd No. 10-32 x 1/2 (replaced by 90-00063-39)	90-09700-00			
12	*STOP ASSEMBLY, DOOR	70-19088-01			
13	**Standoff, Male/Female No. 6-32	12-19713-01			
14	**Bumper, Screw Mount Rubber	90-09168-00			
15	**Screw, Phi Pan Hd No. 6-32 x 3/8	90-06022-01			
16	*Bracket, Rear Door Lock	74-27182-01			
17	*Spring, 1/4 Turn Receptacle Fastener	12-12972-02			
18	*Screw, Sems Phi Pan Hd No. 10-32 x 11/32	12-21368-03			
19	*DOOR ASSEMBLY, REAR	70-23125-01			16A
20	*PANEL ASSEMBLY, END (40 Inch)	70-19083-01			15
21	*Cover, Top	70-19675-01			
22	*Screw, Phi Pan Hd No. 8-32 x 3/8	90-06037-01			
23	*Nut, Kep No. 8-32 x 11/32	90-06563-00			
24	*Cable Assembly, 8.5 Ft (Not Shown) (See Note)	70-08288-8F			
25	*Nut, Hex Tooth Ext. Lockwasher No. 10-32	90-06565-00			
26	*Screw, Sems Hex Slot Hd No. 10-16 x 1/2	90-00049-73			
27	*Clamp, Cable (SI)	74-33488-01			
28	*Plug, Snap-In (Nylon)	90-10648-02			
	LABELS (Not Shown)				
	*Label, "F.C.C., Class A, Peripheral"	36-17880-03			
	*Label, "Serial/Power, Universal"	36-17674-38			
	NOTE: Item 24 is shipped as a loose piece part.				

HSC50-03-BD

Figure 3. Cabinet/Shield Assembly (Original Design) (Sheet 1 of 2)

HSC50-03A-BD

Figure 3. Cabinet/Shield Assembly (Original Design) (Sheet 2 of 2)

FIG. & ITEM NO.	DESCRIPTION	DEC PART NO. ^B	ECO CUT-IN 70-20028 00000	USED ON CODE	REF FIG NO.
3-	CABINET/SHIELD ASSEMBLY (120V 60 Hz)	70-20028-01		A	2
	CABINET/SHIELD ASSEMBLY (240V 50 Hz) (ORIGINAL DESIGN) (SEE FIGURE 3A FOR MODIFIED DESIGN)	70-20028-02		B	2
1	*CABINET/MODULE ASSEMBLY (120V 60 Hz)	70-20029-01		A	4
	*CABINET/MODULE ASSEMBLY (240V 50 Hz)	70-20029-02		B	4
2	*Cable Assembly, Power Bus Filter	70-20205-01			
3	*Shield, Bottom Rear	74-27109-01			
4	*Screw, Sems Phi Pan Hd No. 4-40 x 3/8	90-09984-05			
5	*Bulkhead, I/O Blank	74-26900-01			
6	*Screw, Sems Phi Pan Hd No. 6-32 x 3/8	90-09984-00			
7	*Screw, Sems Phi Pan Hd No. 10-32 x 11/32	12-21368-03			
8	*Bulkhead, Blank (deleted)	74-27091-01	00002		
9	*Shield, RFI	12-16007-06			
10	*Shield, Side	74-27098-01			
11	*Shield, Top Cover	74-27100-01			
12	*Screw, Sems Phi Pan Hd No. 10-32 x 5/8	12-21368-02			

THIS PAGE INTENTIONALLY LEFT BLANK

HSC50-03B-BD

Figure 3A. Cabinet/Shield Assembly (Modified Design) (Sheet 1 of 2)

HSC50-03C-BD

Figure 3A. Cabinet/Shield Assembly (Modified Design) (Sheet 2 of 2)

FIG.& ITEM NO.	DESCRIPTION	DEC PART NO.	ECO CUT-IN 70-20028 0002A	USED ON CODE	REF FIG NO.
3A-	CABINET/SHIELD ASSEMBLY (1 P.S. 60 Hz)	70-20028-01		A	2A
	CABINET/SHIELD ASSEMBLY (1 P.S. 50 Hz)	70-20028-02		B	2A
	CABINET/SHIELD ASSEMBLY (2 P.S. 60 Hz)	70-20028-03		A	2A
	CABINET/SHIELD ASSEMBLY (2 P.S. 50 Hz)	70-20028-04		B	2A
	(MODIFIED DESIGN)				
1	*CABINET/MODULE ASSEMBLY (1 P.S. 60 Hz)	70-20029-01		A	
	*CABINET/MODULE ASSEMBLY (1 P.S. 50 Hz)	70-20029-02		B	
	*CABINET/MODULE ASSEMBLY (2 P.S. 60 Hz)	70-20029-03		A	
	*CABINET/MODULE ASSEMBLY (2 P.S. 50 Hz)	70-20029-04		B	
2	**CABINET ASSEMBLY (1 P.S. 120V 60 Hz)	70-20030-01		A	4,4A
	**CABINET ASSEMBLY (1 P.S. 240V 50 Hz)	70-20030-02		B	4,4A
	**CABINET ASSEMBLY (2 P.S. 120V 60 Hz)	70-20030-03		A	4A
	**CABINET ASSEMBLY (2 P.S. 240V 50 Hz)	70-20030-04		B	4A
3	**Module, Blank (Not Shown)	74-28263-01			
4	**Plate, Card Cage Cover (deleted)	36-21684-01			
5	**Label, "Card Cage Module Placement" (deleted)	36-21684-01			
6	**Label, "HSC50 Card Cage" (deleted)	36-21758-01	HSC50- 00015		
7	*Shield, RFI	12-16007-06			
8	*Shield, Side	74-27098-01			
9	*Shield, Top Cover	74-27100-01			
10	*Screw, Sems Phi Pan Hd No. 10-32 x 5/8	12-21368-03			
11	*Shield, EMI/RFI (43 Position)	12-20580-14			
12	*Shield, EMI/RFI (68 Position)	12-20580-19			
13	*Shield, EMI/RFI (34 Position)	12-20580-13			
14	*Screw, Sems Phi Pan Hd No. 10-32 x 11/32	12-21368-02			
15	*Label, "HSC50 Rear Door I/O"	36-21686-01			

THIS PAGE INTENTIONALLY LEFT BLANK

HSC50-04-BD

Figure 4. Cabinet Assembly (Original Design) (Sheet 1 of 4)

HSC50-04A-BD

Figure 4. Cabinet Assembly (Original Design) (Sheet 2 of 4)

HSC50-04B-BD

Figure 4. Cabinet Assembly (Original Design) (Sheet 3 of 4)

HSC50-04C-BD

Figure 4. Cabinet Assembly (Original Design) (Sheet 4 of 4)

FIG.& ITEM NO.	DESCRIPTION	DEC PART NO.	ECO CUT-IN 70-20030 00003	USED ON CODE	REF FIG NO.
4-	CABINET ASSEMBLY (120V 60 Hz)	70-20030-01		A	3
	CABINET ASSEMBLY (240V 50 Hz)	70-20030-02		B	3
	(ORIGINAL DESIGN)				
	(SEE FIGURE 4A FOR MODIFIED DESIGN)				
1	*FRAME ASSEMBLY	70-20031-01			5
2	*CHASSIS ASSEMBLY	70-20032-01			6
3	*Shield, Front (RH)	74-29606-01			
4	*Shield, RFI/EMI (8 Fingers)	12-20580-08			
5	*Shield, RFI/EMI (57 Fingers)	12-20580-17			
6	*Bracket, Front Door Pivot	74-27090-01			
7	*Screw, Sems Phi Pan Hd No. 10-32 x 5/8	12-21368-02			
8	*Washer, Ext. Tooth Lock No. 10	90-07651-00			
9	*Strap, Ground	12-13756-12			
10	*Screw, Sems Phi Truss Hd No. 10-32 x 1/2	90-09700-00			
11	*Duct, Wiring	12-21394-02			
12	*Screw, Sems Phi Pan Hd No. 6-32 x 3/8	90-09984-00			
13	*Cover, Wiring Duct	12-21394-01			
14	*Shield, RFI/EMI (68 Fingers)	12-20580-19			
15	*Shield, Front (LH)	74-27787-01			
16	*Bracket, Front Door Lock	74-27087-01			
17	*Bracket, Front Lower Shield	74-27093-01			
18	*Bracket, End Panel Lock (RH)	74-27514-01			
19	*Bracket, End Panel Lock (LH)	74-27514-02			
20	*Screw, Sems Slotted Hex Hd No. 1/4-20 x 3/4	90-09988-14			
21	*Plate, Cover,	74-27804-01			
22	*POWER SUPPLY ASSEMBLY, STANDARD (120V 60 Hz)	70-20033-03		A	7
	*POWER SUPPLY ASSEMBLY, STANDARD (240V 60 Hz)	70-20033-04		B	7
23	*Plate, Blank Front	74-26567-01			
24	*BEZEL/DOOR ASSEMBLY, FRONT	70-20185-01			17
25	*Bracket, Backplane Mounting	74-27088-01			
26	*Screw, Sems Phi Pan Hd No. 10-32 x 3/4	12-21368-03			
27	*Module, HSC50 Backplane	54-14048-00			
28	*Screw, Sems Phi Pan Hd No. 6-32 x 1-1/8	12-21368-01			
29	*Strap, Ground	12-13756-28			
30	*Frame Assembly, Extender	70-20188-01			
31	*CONTROLLER ASSEMBLY, POWER (120V 60 Hz)	70-19122-00		A	8
	**Fuse, Slo Blo 3/8A (250V)	90-07207-00		A	
	*CONTROLLER ASSEMBLY, POWER (240V 50 Hz)	70-20613-00		B	9
	**Fuse, Slo Blo 1/8A (250V)	12-19283-17		B	
32	*Relay, Power Coil 12V 10A	12-20996-01			
33	*Shield, RFI/EMI (43 Fingers)	12-20580-14			
34	*Shield, RFI/EMI (45 Fingers)	12-20580-15			
35	*Shield, RFI/EMI (75 Contacts)	12-16007-05			

FIG. & ITEM NO.	DESCRIPTION	DEC PART NO.	ECO CUT-IN 70-20030 00003	USED ON CODE	REF FIG NO.
4-					
36	*Cord Assembly, Blower AC Line (120V 60 Hz)	70-20206-01			
	*Cord Assembly, Blower AC Line (240V 50 Hz)	70-20206-02			
37	*Blower, Forward 200 CFM (120V)	12-18828-00			
38	*DUCT ASSEMBLY, OUTLET	70-20191-01			13
39	*BULKHEAD ASSEMBLY, I/O	70-20024-01			14
40	*Screwlock Assembly, No. 4-40 (Female)	12-15243-00			
41	*Inlet Assembly, Blower	70-19251-01			
42	*Mount, Adhesive Backed Cable Tie	90-08264-00			
43	*Tie, Cable	90-07031-00			
44	*Nut, Kep No. 10-32 x 3/8	90-06565-00			
45	*Hinge Assembly, Rear Door Bracket	70-19250-01			
46	*Cover, Backplane	74-28262-00			
47	*Cover, Jumper Bar	74-29199-01			
48	*Washer, Flat	90-06659-00			
49	*Nut, Kep No. 6-32 x 5/16	90-06560-00			
50	*Cable Assembly, Backplane to Optional P/S Interconnect	70-19682-01			
51	*Stop, Front Door (added)	70-22480-01	00006		
	CABLES (Not Shown)				
	*Cable Assembly, Backplane to P/S Ground	70-19685-01			
	*Cable Assembly, Backplane to P/S (+5V)	70-19685-02			
	*Cable Assembly, Backplane to P/S (-5V)	70-19684-01			
	*Cable Assembly, Airflow Sensor	70-20202-01			
	*Harness Assembly, Backplane to P/S Intrcnt.	70-19679-01			
	*Cable Assembly, Relay to PC Airflow Sensor	70-20202-01			
	*Cord Assembly, Line (added) (See Note)	70-19686-01			
	*Cord Assembly, Line (added) (See Note)	70-19686-02	HSC50-00008		
	NOTE: Not Interchangeable w/Modified design.				
	LABELS/DECALS (Not Shown)				
	*Label, "Warning, Air Inlet"	36-21683-01			
	*Label, "Serial/Power w/UL and CSA" (added)	36-17674-01	70-20025 00005	A	
	*Label "Serial/Power w/o UL and CSA"	36-17674-00		B	
	*Decal, "UL"	74-16197-02		B	
	*Decal, "CSA"	36-13211-00		B	
	*Label, "FCC, Class A, Peripheral"	36-17880-03		A	
	*Label, "HSC50"	36-21682-01			
	*Label, "Warning, Hazard"	36-21687-01			
	*Label, "Warning, Hazard High Temperature" (added)	36-13307-00	00007	B	
	*Label, "Warning, Hazard High Temperature" (deleted)	36-13307-00	HSC50 00011	B	

HSC50-04D-BD

Figure 4A. Cabinet Assembly (Modified Design) (Sheet 1 of 4)

HSC50-04E-BD

Figure 4A. Cabinet Assembly (Modified Design) (Sheet 2 of 4)

HSC50-04F-BD

Figure 4A. Cabinet Assembly (Modified Design) (Sheet 3 of 4)

HSC50-04G-BD

Figure 4A. Cabinet Assembly (Modified Design) (Sheet 4 of 4)

FIG.& ITEM NO.	DESCRIPTION	DEC PART NO.	L ECO CUT-IN HSC50 00015	USED ON CODE	REF FIG NO.
4A-	CABINET ASSEMBLY (1 P.S. 60 Hz)	70-20030-01		A	3A
	CABINET ASSEMBLY (1 P.S. 50 Hz)	70-20030-02		B	3A
	CABINET ASSEMBLY (2 P.S. 60 Hz)	70-20030-03		A	3A
	CABINET ASSEMBLY (2 P.S. 50 Hz)	70-20030-04		B	3A
	(MODIFIED DESIGN)				
1	*FRAME ASSEMBLY	70-20031-01			5
2	*CHASSIS ASSEMBLY	70-20032-01			6
3	*Shield, Front (RH)	74-29606-01			
4	*Shield, RFI/EMI (8 Fingers)	12-20580-08			
5	*Shield, RFI/EMI (57 Fingers)	12-20580-17			
6	*Bracket, Front Door Pivot	74-27090-01			
7	*Screw, Sems Phi Pan Hd No. 10-32 x 5/8	12-21368-02			
8	*Washer, Ext. Tooth Lock No. 10	90-07651-00			
9	*Strap, Ground	12-13756-12			
10	*Screw, Sems Phi Truss Hd No. 10-32 x 1/2	90-09700-00			
11	*Duct, Wiring	12-21394-02			
12	*Screw, Sems Phi Pan Hd No. 6-32 x 3/8	90-09984-00			
13	*Cover, Wiring Duct	12-21394-01			
14	*Washer, Lock	90-06636-00			
15	*Shield, Front (LH)	74-31953-01			
16	*Bracket, Front Door Lock	74-31915-01			
17	*Bracket, Front Lower Shield	74-31916-01			
18	*Bracket, End Panel Lock (RH)	74-27514-01			
19	*Bracket, End Panel Lock (LH)	74-27514-02			
20	*Screw, Sems Slotted Hex Hd No. 1/4-20 x 3/4	90-09988-14			
21	*Plate, Cover,	74-27804-01			
22	*POWER SUPPLY ASSEMBLY, STANDARD (60 Hz)	70-20033-03		A	7
	*POWER SUPPLY ASSEMBLY, STANDARD (50 Hz)	70-20033-04		B	7
23	Plate, Blank Front	74-26567-01			
24	*BEZEL/DOOR ASSEMBLY, FRONT	70-20185-01			17A
25	*Bracket, Backplane Mounting	74-27088-01			
26	*Screw, Sems Phi Pan Hd No. 10-32 x 3/4	12-21368-03			
27	*Module, HSC50 Backplane	54-14048-00			
28	*Screw, Sems Phi Pan Hd No. 6-32 x 1-1/8	12-21368-01			
29	*Strap, Ground	12-13756-28			
30	*Frame Assembly, Extender	70-20188-01			
31	*CONTROLLER ASSEMBLY, POWER (120V 60Hz)	30-24374-01		A	
	**Fuse, Slo Blo 3/8A (250V)	90-07207-00			
	*CONTROLLER ASSEMBLY, POWER (240V 50Hz)	30-24374-02		B	
	**Fuse, Slo Blo 1/8A (250V)	12-19283-17			
32	*Relay, Power Coil (12V 10A)	12-20996-01			
33	*Plate, Card Cage Cover	74-26888-01			
34	*Shield, RFI/EMI (45 Fingers)	12-20580-15			
35	*Shield, RFI/EMI (68 Contacts)	12-16007-06			

FIG.& ITEM NO.	DESCRIPTION	DEC PART NO.	L ECO CUT-IN HSC50 00015	USED ON CODE	REF FIG NO.
4-					
36	*Cord Assembly, AC Line	17-01276-03		A	
	*Cord Assembly, AC Line	17-01276-02		B	
	NOTE: Item 36 is NOT interchangeable with Original Design.				
37	*Blower, Forward 200 CFM (120V)	12-18828-00			
38	*DUCT ASSEMBLY, OUTLET	70-23219-01			14A
39	*BULKHEAD ASSEMBLY, I/O	70-23135-01			15A
40	*Spring, Shield	74-26725-01			
41	*Inlet Assembly, Blower	70-19251-01			
42	*Mount, Adhesive Backed Cable Tie	90-08264-00			
43	*Tie, Cable	90-07031-00			
44	*Nut, Kep No. 10-32 x 3/8	90-06565-00			
45	*Bulkhead, Top I/O	74-31828-02			
46	*Cover, Backplane	74-28262-01			
47	*Cover, Jumper Bar	74-29199-01			
48	*Washer, Flat	90-06659-00			
49	*Nut, Kep No. 6-32 x 5/16	90-06560-00			
50	*Cable Assembly, Backplane to Optional P/S Interconnect	70-19682-01			
51	*Stop, Front Door (added)	70-22480-01			
52	*Cable Assembly, Rear Shield /CI	70-23140-02			
53	*Washer, Flat (added)	90-06676-00	HSC50		
54	*Nut, Hex Ext. Tooth Lock No. 1/4-20 (added)	90-08203-00	00021		
55	*Nut, Hex Ext. Tooth Lock No. 5/16-18 x 1/2	90-06568-00			
56	*Washer, Flat	90-06679-00			
	CABLES (Not Shown)				
	*Cable Assembly, Backplane to P/S Ground	70-19685-01			
	*Cable Assembly, Backplane to P/S (+5V)	70-19685-02			
	*Cable Assembly, Backplane to P/S (-5V)	70-19684-01			
	*Harness Assembly, Wire	17-01275-01			
	*Harness Assembly, Backplane to P/S Intrcnt.	70-19679-01			
	*Harness Assembly, Wire	17-01231-01			
	*Cord Assembly, Line (deleted)	17-01276-01	HSC50		
			00021		
	LABELS/DECALS (Not Shown)				
	*Label, "Warning, Air Inlet"	36-21686-01			
	*Label, "Serial/Power Universal" (deleted)	36-17674-38			
	*Label, "FCC, Class A, Peripheral" (deleted)	36-17880-03	HSC50		
	*Label, "Blank" (added)	36-21711-15	00021		
	*Label, "HSC50"	36-21682-01			
	*Label, "Warning, Hazard"	36-21687-01			
	*Label, "Card Cage Module Placement"	36-21684-01			
	*Label, Card Cage Plenum"	36-21758-01			
	*Label, "DC On/Off Switch"	36-25418-01			

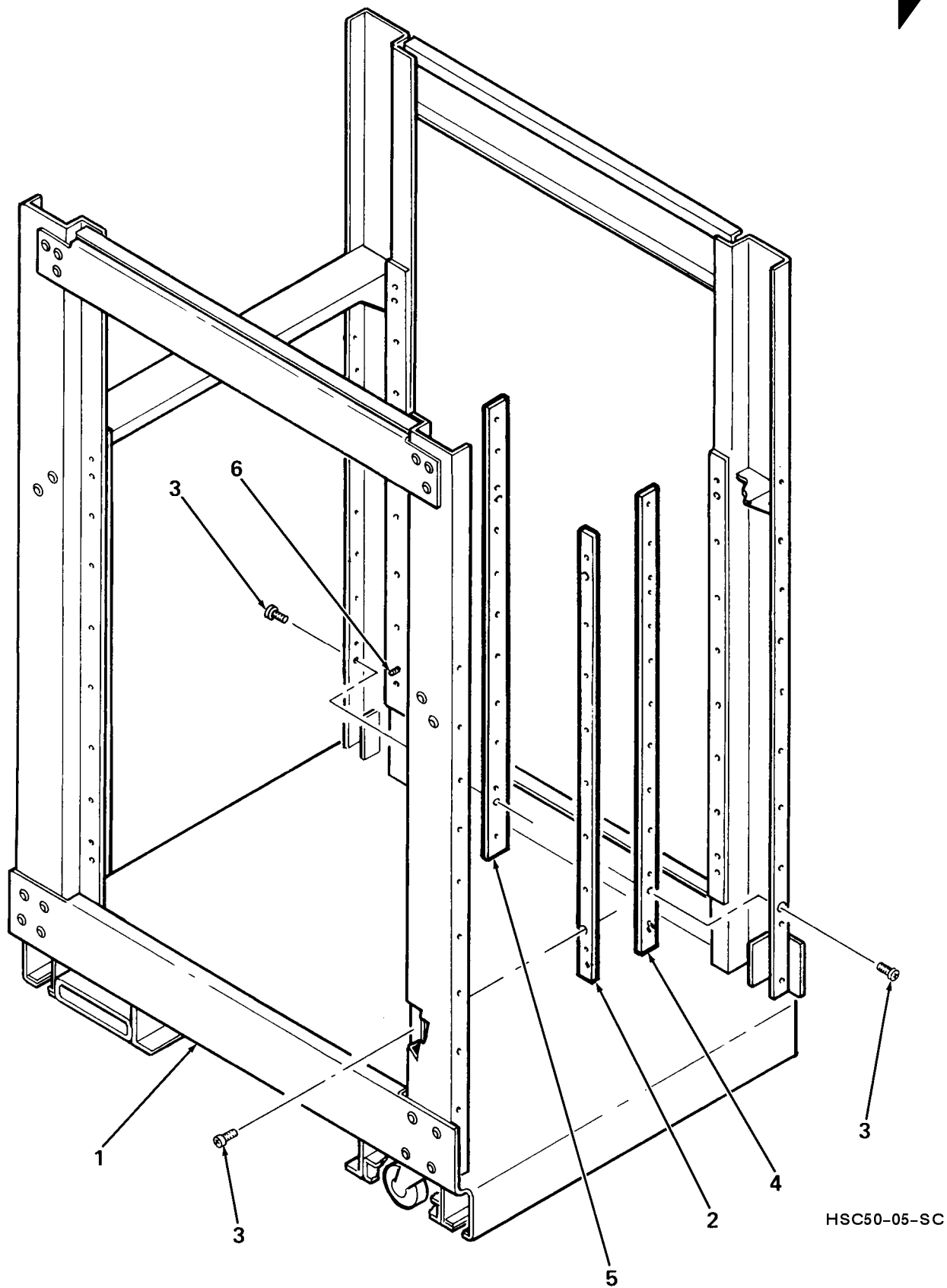


Figure 5. Frame Assembly

FIG. & ITEM NO.	DESCRIPTION	DEC PART NO. ^B	ECO CUT-IN 70-20031 00000	USED ON CODE	REF FIG NO.
5-	FRAME ASSEMBLY	70-20031-01			4,4A
1	* Frame Assembly	70-20193-01			
2	* Bar, Nut	70-27099-01			
3	* Screw, Sems Phi Pan Hd No. 10-32 x 9/32	12-21368-04			
4	* Bar, Front Nut	74-28326-01			
5	* Bar, Rear Nut	74-28327-01			
6	* Screw, Sems Phi Pan Hd No. 10-32 x 5/8 (added)	12-21368-02	00001		

HSC50-06-BD

Figure 6. Chassis Assembly

FIG. & ITEM NO.	DESCRIPTION	DEC PART NO. ^C	ECO CUT-IN 70-20025 00001	USED ON CODE	REF FIG NO.
6-	CHASSIS ASSEMBLY	70-20032-01			4,4A
1	*Chassis Assembly	70-19253-01			
2	*Bulkhead, Front	74-26570-01			
3	*Screw, Sems Phi Pan Hd No. 10-32 x 11/32	12-21368-03			
4	*Switch Rocker (DPST)(.5A /28V)	12-21017-01			
5	*Cable Assembly, Terminal Power	70-20522-01			
6	*Cable Assembly, DC On/Off Switch	70-20196-01			
7	*Harness Assembly, Backplane/Chassis Bulkhead	70-19676-01			
8	*Screwlock Assembly, Female No. 4-40	12-15243-00			
9	*Guide, Card	12-17010-05			
10	*Guide, Card	12-17010-06			
11	*Plate, Rear	74-26891-01			
12	*Foam, Tape 3/8 Inch x 3/8 (Black)	90-08274-00			
13	*Rivet, Blind Dome	90-00030-09			
14	*Plate, Baffle	74-26885-01			
15	*Screw, Sems Phi Pan Hd No. 6-32 x 3/8	90-09984-00			
16	*Washer, Flat	90-06659-00			
17	*Cover, Power Supply Exhaust Duct	74-26894-01			
18	*Cover, Plenum	74-26895-01			

HSC50-07-BD

Figure 7. Power Supply Assembly, Standard (Sheet 1 of 2)

HSC50-07A-BD

Figure 7. Power Supply Assembly, Standard (Sheet 2 of 2)

FIG. & ITEM NO.	DESCRIPTION	DEC PART NO.	ECO CUT-IN 70-20030 00004	USED ON CODE	REF FIG NO.
7-	POWER SUPPLY ASSEMBLY, STANDARD (120V 60 Hz) (deleted)	70-20033-01	HSC50 00015	A	4
	POWER SUPPLY ASSEMBLY, STANDARD (240V 50 Hz) (deleted)	70-20033-02	HSC50 00015	B	4
	POWER SUPPLY ASSEMBLY, STANDARD (120V 60 Hz) (added)	70-20033-03	HSC50 00008	A	4A
	POWER SUPPLY ASSEMBLY, STANDARD (240V 50 Hz) (added)	70-20033-04	HSC50 00008	B	4A
	NOTE: Variations -03 and -04 were added to make the HSC50 and HSC70 more compatble.				
1	*Tray Weldment Assembly, Power Supply	70-19635-01			
2	*Regulator, Switching (120V 60 Hz)	30-20199-01		A	
	*Regulator, Switching (240V 50 Hz)	30-20199-02		B	
3	*Foam, Tape	90-08274-00			
4	*Bracket, Sealing	74-26884-01			
5	*Screw, Sems Phi Pan Hd No. 6-32 x 3/8	90-09984-00			
6	*Screw, Sems Phi Pan Hd No. 8-32 x 5/6	90-09984-06			
7	*Jumper Bar, Power Supply (12V)(deleted)	74-27878-01	70-20033 00001		
8	*Harness Assembly, Standard P/S Interconnect	70-19680-01			
9	*Cable Assembly, Standard P/S Interconnect	70-19681-01			
10	*Cable Assembly, Air Flow Sensor P/S	70-20203-01			
11	*Cable Assembly, DC On/Off P/S	70-20197-01			
12	*Washer, Ext. Tooth Lock No. 6	90-07649-00			
13	*Cord Assembly, AC Line (deleted)(See Note 1)	70-19686-01	HSC50 00008	A	
	*Cord Assembly, AC Line (deleted)(See Note 1)	70-19686-02	HSC50 00008	B	
	*Cord Assembly, AC Line (added)(See Note 2)	17-01276-01	HSC50 00015	A	
14	*Nut, Kep No. 6-32 x 15/16	90-06560-00			
	LABEL (Not Shown)				
	*Label, "Power Supply" (deleted)	90-09255-01	00004		
	*Label, "Bar Code" (added)	36-21711-15	00004		
	NOTE 1: This item used on ORIGINAL design only. NOTE 2: This item used on MODIFIED design only.				

THIS PAGE INTENTIONALLY LEFT BLANK

HSC50-08-BD

Figure 8. Controller Assembly, Power (Original Design)

FIG. & ITEM NO.	DESCRIPTION	DEC PART NO. ^H	ECO CUT-IN 70-19122 00003	USED ON CODE	REF FIG NO.
8-	CONTROLLER ASSEMBLY, POWER (120V 60 Hz) (Original Design) (Deleted) (See Figure 5A , Item 31 for Modified design.)	70-19122-00	HSC50 00015	A	4
1	*CONTROLLER SUBASSEMBLY, POWER	70-20526-01			10
2	*Channel, Strain Relief	74-26578-01			
3	*Screw, Phi Pan Hd No. 8-32 x 3/8 (deleted)	90-06037-01			
	*Screw, Sems Phi Pan Hd no. 8-32 x 3/8 (added)	90-09984-00	70-20030 00005		
4	*Washer, Lock No. 8 (deleted)	90-06690-00			
5	*Screw, Phi Pan Hd No. 10-32 x 3/8 (deleted)	90-06071-01			
6	*Washer, Lock No. 10 (deleted)	90-07906-00			
6A	*Screw, Sems Phi Pan Hd No. 10-32 x 11/32 (added)	12-21368-03	70-20030 00005		
7	*Cover, Filter	74-26577-01			
8	*Cord, Power (deleted)	17-00350-02			
	*Cord, Power (added)	17-00350-03	70-19122 00006		
	LABELS (Not Shown)				
	*Label, "Danger, High Voltage"	36-10267-00			
	*Label, "Caution"	36-17614-00			

HSC50-09-BD

Figure 9. Controller Assembly, Power (Original Design) (Sheet 1 of 3)

HSC50-09-BD

Figure 9. Controller Assembly, Power (Original Design) (Sheet 2 of 3)

HSC50-09-BD

Figure 9. Controller Assembly, Power (Original Design) (Sheet 3 of 3)

FIG. & ITEM NO.	DESCRIPTION	DEC PART NO.	ECO CUT-IN 70-19122 00002	USED ON CODE	REF FIG NO.
9-	CONTROLLER ASSEMBLY, POWER (240V 50 Hz) (Original Design) (deleted) (See Figure 5A Item 31 for Modified Design)	70-20613-01	HSC50 00015	B	4
1	*Panel Assembly, Front	70-19975-01			
2	*Chassis Assembly	74-26579-01			
3	*Screw, Mach Phi Pan Hd No. 8-32 x 3/8 (deleted)	90-06037-01			
4	*Washer, Lock (deleted)	90-06690-00			
4A	*Screw, Sems Phi Pan Hd No. 8-32 x 3/8 (added)	90-09984-08	70-20030 00005		
5	*Module, AC Control (873)	54-14648-00			
6	*Screw, Sems Phi Pan Hd No. 6-32 x 3/8	90-09984-00			
7	*Knob, Pointer	12-10114-00			
8	*Harness Assembly, Control	70-21041-01		B	
9	*Cord Assembly, Power	70-15254-00			
10	*Channel, Strain Relief	74-26578-01			
11	*Holder, Panel Mount Fuse (20A 300V)	12-12893-00			
12	*Fuse, Slo Blo (.125A, 125V/250V)	90-08527-00			
13	*Holder, Neon Lamp	12-19294-02			
14	*Lamp, Neon w/Resistor	12-19281-00			
15	*Lens, Lamp Holder	12-19295-01			
16	*Washer, Flat (deleted)	90-06661-00			
16A	*Screw, Sems Phi Pan Hd No. 6-32 x 3/8	70-20030-00	70-20030 00005		
17	*Breaker, Circuit (50/15A 480V)	12-21532-01			
18	*Filter Assembly, Line (120/250V 49-61Hz) (deleted)	12-13287-01			
	*Filter Assembly, Line (120/250V 49-61Hz) (added)	12-13287-00	70-20613 00003		
19	*Jumper Assembly, Ground	70-21040-01			
	*Jumper Assembly, Ground (added)	70-21040-02	70-20613 00005		
20	*Nut, Kep No. 10-32	90-06565-00			
21	*Washer, Lock Ext. Tooth No. 10	90-07651-00			
22	*Screw, Phi Pan Flat Hd No. 8-32 x 1/4	90-00039-01			
23	*TRANSFORMER ASSEMBLY (REWORK)	70-21036-01			
24	*Harness Assembly, Filter to Breaker Power	70-21053-01			
25	*Harness Assembly, Fuse	70-21043-01			
26	*Diode Assembly	70-17943-00			
27	*Contactor, Magnetic	12-18334-02			
28	*Nut, Kep N. 8-32	90-06563-00			
29	*Module, 873 MOV	54-14664-01			
30	*Connector, Power Receptacle	12-11204-03			
31	*Nut, Kep No. 6-32	90-06560-00			

FIG. & ITEM NO.	DESCRIPTION	DEC PART NO.	H ECO CUT-IN 70-19122 00002	USED ON CODE	REF FIG NO.
9-	<p data-bbox="289 296 787 457"> *Harness Assembly, Receptacle Power *Jumper Assembly, Neutral *Panel, Rear *Cover, Filter *Cover </p> <p data-bbox="386 499 824 531" style="text-align: center;">CABLES/HARNESSES (Not Shown)</p> <p data-bbox="289 569 914 905"> *Harness Assembly, Contactor Coil *Cable Assembly, No. 1 Lamp Neutral *Jumper Assembly, MOV BD (Red) *Jumper Assembly, MOV BD (Black) *Jumper Assembly, MOV BD (Violet) *Circuit Breaker/MOV BD Jumper Assembly *Harness Assembly, Lamp *Cable Assembly, No. 2 Lamp Neutral *Harness Assembly, Breaker to Contactor Power *Tie, Cable </p> <p data-bbox="386 947 654 978" style="text-align: center;">LABELS (Not Shown)</p> <p data-bbox="289 1016 703 1079"> *Label, "Danger, High Voltage" *Label, "Power Supply" </p>	<p data-bbox="938 296 1101 457"> 70-21154-01 70-21038-01 74-27729-01 74-26577-00 74-26576-01 </p> <p data-bbox="938 569 1101 905"> 70-21044-01 70-21042-01 70-21039-01 70-21039-02 70-21039-03 70-21037-01 70-21050-01 70-21042-02 70-21155-01 90-07031-00 </p> <p data-bbox="938 1016 1101 1079"> 36-10267-00 90-09255-01 </p>			

THIS PAGE INTENTIONALLY LEFT BLANK

HSC50-10-BD

Figure 10. Controller Subassembly, Power (Original Design) (Sheet 1 of 2)

HSC50-10-BD

Figure 10. Controller Subassembly, Power (Original Design) (Sheet 2 of 2)

FIG.& ITEM NO.	DESCRIPTION	DEC PART NO.	H ECO CUT-IN 7019122 00002	USED ON CODE	REF FIG NO.
10-	CONTROLLER SUBASSEMBLY, POWER (Original Design) (deleted) (See Figure 5A Item 31 for Modified Design)	70-20526-01	HSC50 00015		8
1	*Panel Assembly, Front	70-19125-00			
2	*Chassis Assembly	74-26579-01			
3	*Filter Assembly, Line (120V/250V, 49-61Hz) (deleted)	12-13287-01			
	*Filter Assembly, Line (120V/250V, 49-61Hz) (added)	12-13287-00	70-20613 00003		
4	*Jumper, Ground	70-17946-00			
5	*Washer, Ext. Tooth Lock No. 10	90-07651-00			
6	*Nut, Kep No. 10-32 x 3/8	90-06565-00			
7	*Contactor, Magnetic	12-18334-01			
8	*Nut, Kep Ext. Tooth Hex No. 8-32 x 11/32	90-06563-00			
9	*Harness Assembly, Power	70-19139-00			
10	*Breaker, Circuit (Magnetic, Single Pole)	12-18139-00			
11	*Diode Assembly	70-17943-00			
12	*Breaker, Circuit (Magnetic, Four Pole)	12-18138-01			
13	*Screw, Sems Phi Pan Hd No. 6-32 x 3/8	90-09984-00			
14	*Screw, Sems Phi Pan Hd No. 6-32 x 3/8 (added)(replaces 90-06690-00)	90-09984-07	70-20030 00005		
15	*Screw, Sems Phi Pan Hd No. 8-32 x 3/8 (added)(replaces 90-06037-01)	90-09984-08	70-20030 00005		
16	*Module, AC Control (873)	54-14648-00			
17	*Holder, Panel Mount Fuse (20A 300V)	12-12893-00			
18	*Fuse, Slo Blo (.125A/250V)	90-08527-00			
19	*TRANSFORMER ASSEMBLY (deleted)	70-21036-00			11
	*TRANSFORMER ASSEMBLY (added)	70-17936-00	HSC50 00015		11A
20	*Harness Assembly, Contractor Coil	70-17950-00			
21	*Harness Assembly, Control	70-19140-00			
22	*Jumper, Circuit Breaker (deleted)	70-17949-00	70-19122 00004		
23	*Module, 873 MOV	54-14664-00			
24	*Holder, Neon Lamp	12-19294-00			
25	*Lamp, Neon w/Resistor	12-19281-00			
26	*Lens, Lamp Holder	12-19295-01			
27	*Outlet, Twist Lock Receptacle (30A) (deleted)	12-12315-00	70-19122 00004		
28	*Connector, Duplex Receptacle (125V 20A)	12-12265-00			
29	*Nut, Kep No. 6-32	90-06560-00			
30	*Washer, Ext. Tooth Lock No. 6 (deleted)	90-07649-00	70-19122 00004		
31	*Knob, Pointer	12-10114-00			
32	*Cover	74-26576-01			

FIG. & ITEM NO.	DESCRIPTION	DEC PART NO.	H ECO CUT-IN 7019122 00002	USED ON CODE	REF FIG NO.
10- 33 34 35 36	<p>*Screw, Phi Pan Hd No. 8-32 x 1/4</p> <p>*Jumper, Neutral No. (deleted)</p> <p>*Jumper, Neutral No. 2</p> <p>*Panel, Rear</p> <p style="text-align: center;">JUMPERS (Not Shown)</p> <p>*Jumper, Red MOV Board</p> <p>*Jumper, Black MOV Board</p> <p>*Jumper, Violet MOV Board</p> <p>*Jumper, Black PL</p> <p>*Jumper, Red PL</p> <p style="text-align: center;">LABELS/DECALS (Not Shown)</p> <p>*Label, "Power Supply" (deleted)</p> <p>*Decal, "Ground"</p>	<p>90-00039-01</p> <p>70-17964-00</p> <p>70-17965-00</p> <p>74-26604-01</p> <p>70-17948-00</p> <p>70-17948-01</p> <p>70-17948-02</p> <p>70-19141-00</p> <p>70-19142-00</p> <p>90-09255-00</p> <p>36-12680-00</p>	<p>70-19122 00004</p> <p>70-19122 00006</p>		

FIG. & ITEM NO.	DESCRIPTION	DEC PART NO. ^A	ECO CUT-IN 70-21036 00000	USED ON CODE	REF FIG NO.
11-	TRANSFORMER ASSEMBLY (Rework) (Original Design) (deleted) (See Figure 11A for Modified Design)	70-21036-01	HSC50 00015		9, 10
1	*Transformer (240V/416V 50Hz)	16-19116-00			
2	*Connector, (P3) Socket Housing 3 Pin	12-12167-00			
3	*Terminal, (P3) Socket Contact	12-12170-00			
4	*Terminal, Ring	90-07930-00			
5	*Terminal, Quick Disconnect	12-17000-00			

HSC50-11-BD

Figure 11. Transformer Assembly, (Original Design)

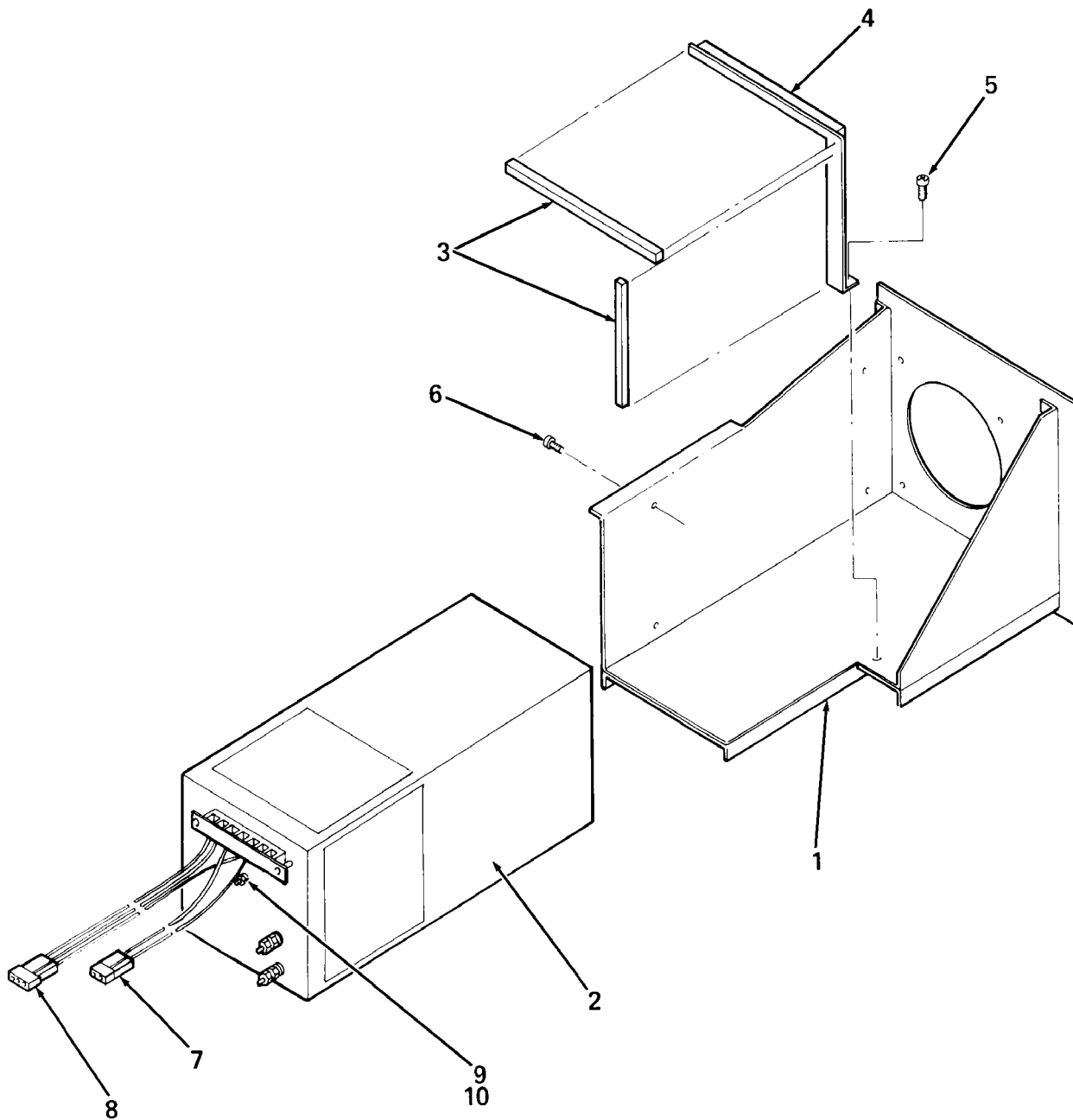
THIS PAGE INTENTIONALLY LEFT BLANK

FIG. & ITEM NO.	DESCRIPTION	DEC PART NO. ^A	ECO CUT-IN HSC50 00015	USED ON CODE	REF FIG NO.
11A-	TRANSFORMER ASSEMBLY (Rework) (Modified Design)(added)	70-21036-00			10
1	*Transformer, 3 PHASE P=AB S=24 @.2A	16-18094-00			
2	*Connector, (P3) Socket Housing 3 Pin	12-12167-00			
3	*Terminal, (P3) Socket Contact	12-12170-00			
4	*Terminal, Ring	90-07930-00			
5	*Terminal, Quick Disconnect	12-17000-00			

HSC50-11A-BD

Figure 11A. Transformer Assembly, (Modified Design)

THIS PAGE INTENTIONALLY LEFT BLANK



HSC50-12-SC

Figure 12. Power Supply Assembly, Optional

FIG. & ITEM NO.	DESCRIPTION	DEC PART NO.	ECO CUT-IN 70-20184 00004	USED ON CODE	REF FIG NO.
12-	POWER SUPPLY ASSEMBLY, OPTIONAL (120V)	70-20184-01		A	1,1A
	POWER SUPPLY ASSEMBLY, OPTIONAL (240V)	70-20184-02		B	1,1A
1	*Tray Weldment Assembly, Optional P/S	70-19636-01			
2	*Regulator, P/S Switching (120V 60 Hz)	30-20198-01		A	
	*Regulator, P/S Switching (24V 50 Hz)	30-20198-02		B	
3	*Tape, Foam	90-08274-00			
4	*Bracket, Optional Sealing	74-26883-01			
5	*Screw, Sems Phi Pan Hd No. 6-32 x 3/8	90-09984-00			
6	*Screw, Sems Phi Pan Hd No. 8-32 x 5/16	90-09984-06			
7	*Cable Assembly, Optional P/S DC On/Off (deleted)	70-20198-01	00001		
8	*Cable Assembly, Optional P/S Interconnect	70-19683-01			
9	*Washer, Ext. Tooth No. 6	90-07649-00			
10	*Cord Assembly, Power Supply AC Line (120V) (deleted)	70-19686-01	HSC5X 00002		
	*Cord Assembly, Power Supply AC Line (240V) (deleted)	70-19686-02	HSC5X 00002		
11	*Nut, Kep No. 6-32	90-06560-00			
12	*Nut, Hex Ext. Tooth Lckwshr No. 6-32 (added)	70-20198-02			
	LABELS (Not Shown)				
	*Label, "Power Supply"	90-09255-01			
	*Label, "Bar Code"	36-21711-15	00001		

HSC50-13-BD

Figure 13. Duct Assembly, Outlet (Original Design)

FIG. & ITEM NO.	DESCRIPTION	DEC PART NO.	ECO CUT-IN 70-20025 00001	USED ON CODE	REF FIG NO.
13-	DUCT ASSEMBLY, OUTLET (RH) (ORIGINAL DESIGN) (deleted) (See Figure 14A for Modified Design)	70-20191-01	HSC50	00015	4
	DUCT ASSEMBLY, OUTLET (LH) (added)	70-20191-02	70-20191 00002		4
	DUCT ASSEMBLY, OUTLET (LH) (deleted)	70-20191-02	HSC70 00003		4
1	*Duct Subassembly, Outlet	70-19700-01			
	*Duct Subassembly, Outlet (added to -02 variation only)	70-19700-02	70-20191 00002		
	*Duct Subassembly, Outlet (deleted from -02 variation only)	70-19700-02	HSC70 00003		
2	*Sensor Assembly, Air Flow (deleted from -01 variation only)	12-23201-01			
	*Switch Assembly, Air Flow Sensor (added) (added to -01 variation only)	12-26092-01	70-20191 00002		
3	*Latch, Hook-End Draw	12-19380-01			
4	*Screw, Sems Phi Pan Hd No. 6-32 x 3/8	90-09984-00			
5	*Foam, Acoustic (Outlet Duct)	74-27801-04			

FIG. & ITEM NO.	DESCRIPTION	DEC PART NO.	ECO CUT-IN HSC50 00015	USED ON CODE	REF FIG NO.
13A-	DUCT ASSEMBLY, OUTLET (MODIFIED DESIGN)	70-23219-01			4A
1	*Duct Weldment Assembly, Outlet	70-23220-01			
2	*Foam, Acoustic	74-27801-05			
3	*Latch, Hook-End Draw	12-19380-01			
4	*Screw, Sems Phi Pan Hd No. 6-32 x 3/8	90-09984-00			
5	*Switch Assembly, Air Flow Sensor	12-26092-01			
6	*Fastener, 1/4 Turn	12-14390-04			

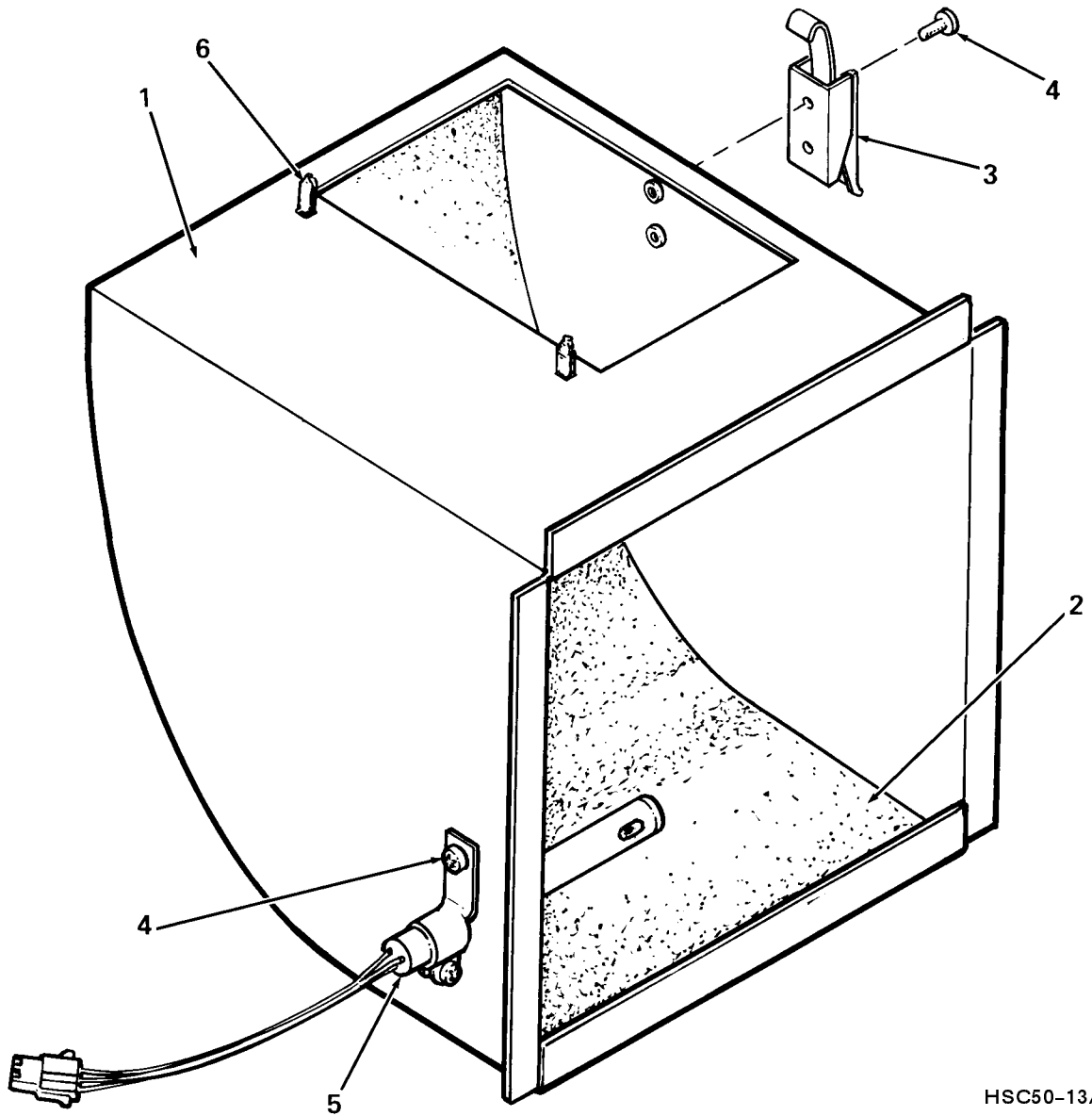


Figure 13A. Duct Assembly, Outlet (Modified Design)

THIS PAGE INTENTIONALLY LEFT BLANK

FIG. & ITEM NO.	DESCRIPTION	DEC PART NO. ^B	ECO CUT-IN 70-20024 00000	USED ON CODE	REF FIG NO.
14-	BULKHEAD ASSEMBLY, I/O (Original Design) (deleted) (See Figure 15A for Modified Design)	70-20024-01	HSC50 00015		4
1	*Bulkhead, I/O	74-26899-01			
2	*Module, I/O Feedthrough	54-15398-00			
3	*Screw, Sems Phl Pan Hd No. 6-32 x 1/2	90-09984-03			
4	*Cable Assembly, Backplane to Bulkhead SI (deleted)	70-19706-0M			
	*Cable Assembly, Backplane to Bulkhead SI (added)	17-00470-01	00001		
5	*Cable Assembly, (C1780)	70-18526-1A			

HSC50-14-BD

Figure 14. Bulkhead Assembly, I/O (Original Design)

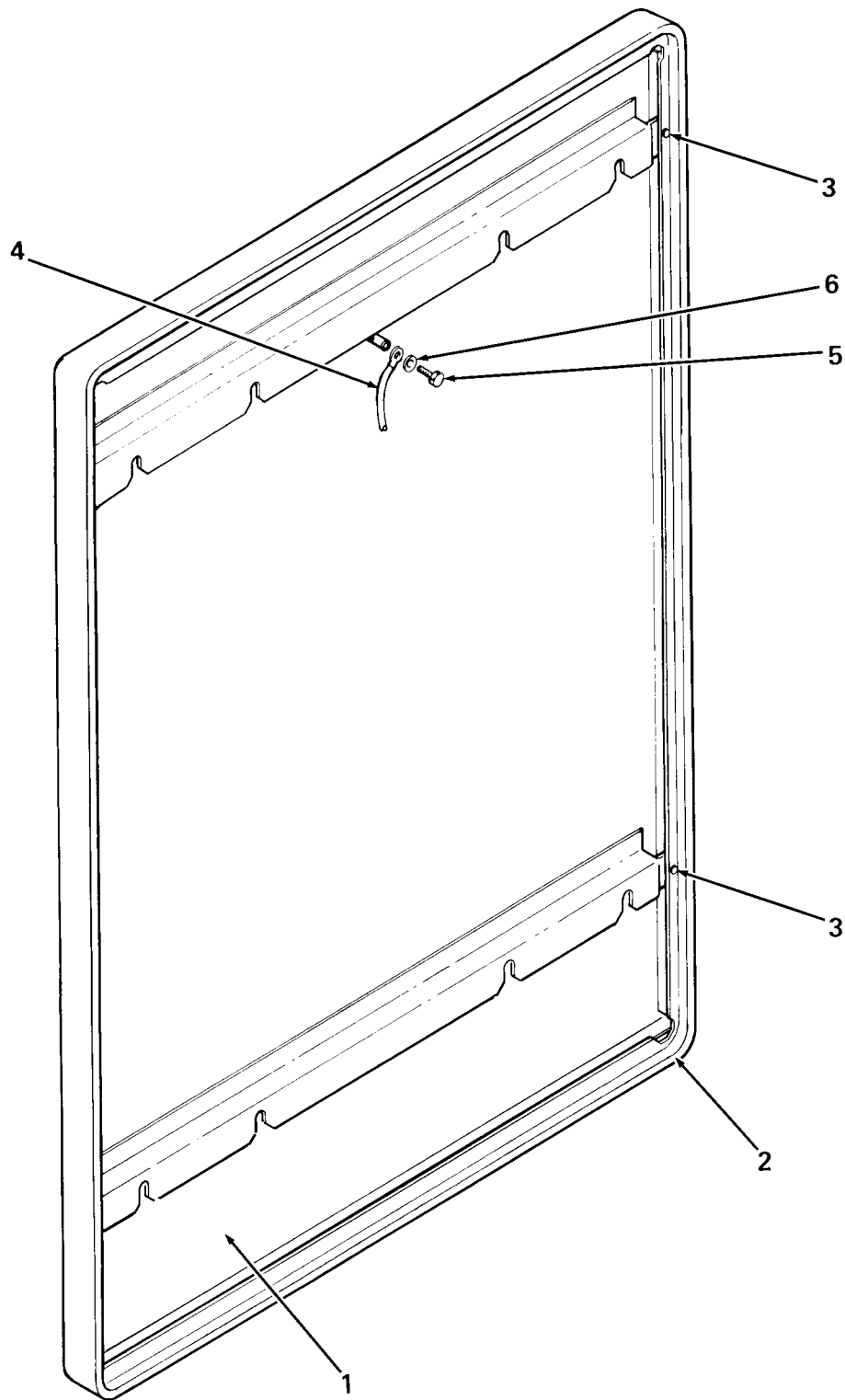
THIS PAGE INTENTIONALLY LEFT BLANK

FIG. & ITEM NO.	DESCRIPTION	DEC PART NO. ^B	ECO CUT-IN HSC50 00015	USED ON CODE	REF FIG NO.
14A-	BULKHEAD ASSEMBLY, I/O (Modified Design)	70-23135-01			4A
1	*Cable Assembly, Shielded COAX	17-00958-01			
2	*Bulkhead, I/O Bottom	74-38127-01			
3	*Screw, Sems Phi Pan Hd No. 6-32 x 3/8	90-09984-00			

HSC50-14A-BD

Figure 14A. Bulkhead Assembly, I/O (Original Design)

THIS PAGE INTENTIONALLY LEFT BLANK



HSC50-15-SC

Figure 15. Panel Assembly, End

FIG. & ITEM NO.	DESCRIPTION	DEC PART NO.	ECO CUT-IN 70-19083 00001	USED ON CODE	REF FIG NO.
15-	PANEL ASSEMBLY, END (40 Inch)	70-19083-01			2,2A
1	*Panel Assembly, End	70-19082-01			
2	*Form Assembly, Roll	70-19075-01			
3	*Rivet, Blind	12-19042-00			
4	*Strap, Ground	12-13756-20			
5	*Screw, Sems Plain Slot No. 10-32 x 3/8	90-00049-38			
6	*Washer, Flat	90-06664-00			
	LABEL (Not Shown)				
	*Label, Ground	36-13272-00			

HSC50-16-BD

Figure 16. Door Assembly, Rear (Original Design)

FIG. & ITEM NO.	DESCRIPTION	DEC PART NO.	ECO CUT-IN 70-20026 00002	USED ON CODE	REF FIG NO.
16-	DOOR ASSEMBLY, REAR (deleted) (Original Design) (See Figure 17A for Modified Design)	70-20026-01	HSC50 00015		2
1	*Door Subassembly, Rear	70-19671-01			
2	*Shield, EMI/RFI (45 Fingers)	12-20580-15			
3	*Shield, EMI/RFI (34 Fingers)	12-20580-13			
4	*Shield, EMI/RFI (18 Fingers)	12-20580-21			
5	*Shield, EMI/RFI (13 Fingers)	12-20580-20			
6	*Tape, Velcro (Rear Door, P/S) (deleted)	74-27794-03	00002		
7	*Tape, Velcro (Rear Door, Blower) (deleted)	74-27794-04	00002		
8	*Foam, Filter (Rear Door, P/S/Blower) (deleted)	74-27798-02	00002		
9	*Pin, Door Hinge	74-26147-00			
10	*Spring, Hinge (Compression)	12-16225-01			
11	*Ring, Retaining	90-09273-02			
12	*Bushing, Nylon Snap	90-00021-07			
13	*Pin, Pivot	74-22619-00			
14	*Ring, Retaining	90-09644-01			
15	*Grommet, Retainer	12-12972-03			
16	*Ring, Retaining	90-09644-01			
17	*Fastener, Allen Head	12-12972-06			
18	*Plug, Snap-In Hole (added)	90-10648-02	70-20025 00005		
	LABEL (Not Shown)				
	*Label, "HSC50, Rear Door, I/O"	36-21686-01			
	*Fastener, 1/4 Turn	12-14390-04			

HSC50-16A-BD

Figure 16A. Door Assembly, Rear (Modified Design)

FIG. & ITEM NO.	DESCRIPTION	DEC PART NO.	ECO CUT-IN HSC50 00015	USED ON CODE	REF FIG NO.
16A-	DOOR ASSEMBLY, REAR (Modified Design)	70-23125-01			2A
1	*Door Assembly, Rear	70-22489-01			
2	*Shield, EMI/RFI (45 Fingers)	12-20580-15			
3	*Grommet, Retainer	12-12972-03			
4	*Fastener, Allen Head	12-12972-06			
5	*Ring, Retaining	90-08500-00			
6	*Shield, Spring	74-26725-01			
7	*Shield, EMI/RFI (18 Fingers)	12-20580-21			
8	*Shield, EMI/RFI (34 Fingers)	12-20580-13			
9	*Bushing, Snap-In Nylon	90-00021-07			
10	*Ring, Retaining	90-09273-01			
11	*Spring, Hinge Compression	12-16225-01			
12	*Pin, Door Hinge	74-26147-00			
13	*Ring, Retaining	90-09644-01			
14	*Pin, Door	74-26709-01			
15	*Plug, Snap-In Hole	90-10648-02			

HSC50-17-BD

Figure 17. Door/Bezel Assembly, Front (Original Design)

FIG. & ITEM NO.	DESCRIPTION	DEC PART NO. ^A	ECO CUT-IN 70-20185 00000	USED ON CODE	REF FIG NO.
17-	DOOR/BEZEL ASSEMBLY, FRONT (Original Design) (See Figure 18A for Modified Design)	70-20185-01			4
1	* DOOR ASSEMBLY, FRONT	70-20027-01			18
2	* BEZEL ASSEMBLY	70-20186-01			19
3	* Washer, Flat	90-06661-00			
4	* Nut, Kep No. 8-21 x 11/32	90-06563-00			
5	* OCP ASSEMBLY	70-20524-01			20
6	* Washer, Flat	90-06659-00			
7	* Nut, Kep No. 6-32 x 5/16	90-06560-00			
	LABELS (Not Shown)				
	* Label, "Power Supply"	90-09255-01			
	* Label, "HSC50"	36-21585-01			

HSC50-17A-BD

Figure 17A. Door/Bezel Assembly, Front (Modified Design)

FIG. & ITEM NO.	DESCRIPTION	DEC PART NO.	ECO CUT-IN 70-20185 00002	USED ON CODE	REF FIG NO.
17A-	DOOR/BEZEL ASSEMBLY, FRONT (Modified Design)	70-20185-01			4,4A
1	*DOOR ASSEMBLY, FRONT	70-20027-01			18A
2	*BEZEL ASSEMBLY	70-20186-01			19
3	*Washer, Flat	90-06661-00			
4	*Nut, Kep NO. 8-21 X 11/32	90-06563-00			
5	*OCP/BEZEL ASSEMBLY	70-23138-01			20A
6	*Washer, Flat	90-06659-00			
7	*Nut, Kep No. 6-32 x 5/16	90-06560-00			
8	*Cable Assembly, w/Wrist Strap	12-24023-02			
9	*Nut, Kep No. 8-32	90-06563-00			
10	*Washer, Lock No. 8	90-06636-00			

HSC50-18-BD

Figure 18. Door Assembly, Front (Original Design) (Sheet 1 of 2)

HSC50-18-BD

Figure 18. Door Assembly, Front (Original Design) (Sheet 2 of 2)

FIG. & ITEM NO.	DESCRIPTION	DEC PART NO. ^B	ECO CUT-IN 70-20027 00001	USED ON CODE	REF FIG NO.
18-	FRONT DOOR ASSEMBLY (Original Design) (See Figure 19A for Modified Design)	70-20027-01			17
1	*Door Assembly, Front	70-19672-01			
2	*Tape, Velcro	74-22794-05			
3	*Tape, Velcro	74-27794-01			
4	*Filter, Foam (Front Door)	74-27798-04			
5	*Shield, EMI/RFI (48 Fingers)	12-20580-16			
6	*Shield, EMI/RFI (45 Fingers)	12-20589-15			
7	*Lock and Cam Assembly	12-14664-00			
8	*Spring, Hinge (Compression)	12-16225-01			
9	*Ring, Retaining	90-09273-02			
10	*Pin, Door Hinge	74-26147-00			

THIS PAGE INTENTIONALLY LEFT BLANK

HSC50-18C-BD

Figure 18A. Door Assembly, Front (Original Design) (Sheet 1 of 2)

HSC50-18B-BD

Figure 18A. Door Assembly, Front (Original Design) (Sheet 2 of 2)

FIG. & ITEM NO.	DESCRIPTION	DEC PART NO. ^C	ECO CUT-IN HSC50 00015	USED ON CODE	REF FIG NO.
18A-	DOOR ASSEMBLY, FRONT (Modified Design)	70-20027-01			17A
1	*Door Assembly, Front	70-19672-01			
2	*Tape, Velcro	12-12431-10			
3	*Tape, Adhesive	12-12431-09			
4	*Filter, Air Foam	12-13121-22			
5	*Latch, Flush Lift-N-Turn w/Lock	12-25411-01			
6	*Tape, Adhesive Front Door	74-27794-05			
7	*Pin, Door Hinge	74-26147-00			
8	*Spring, Hinge (Compression)	12-16225-01			
9	*Ring, Retaining	90-09273-02			

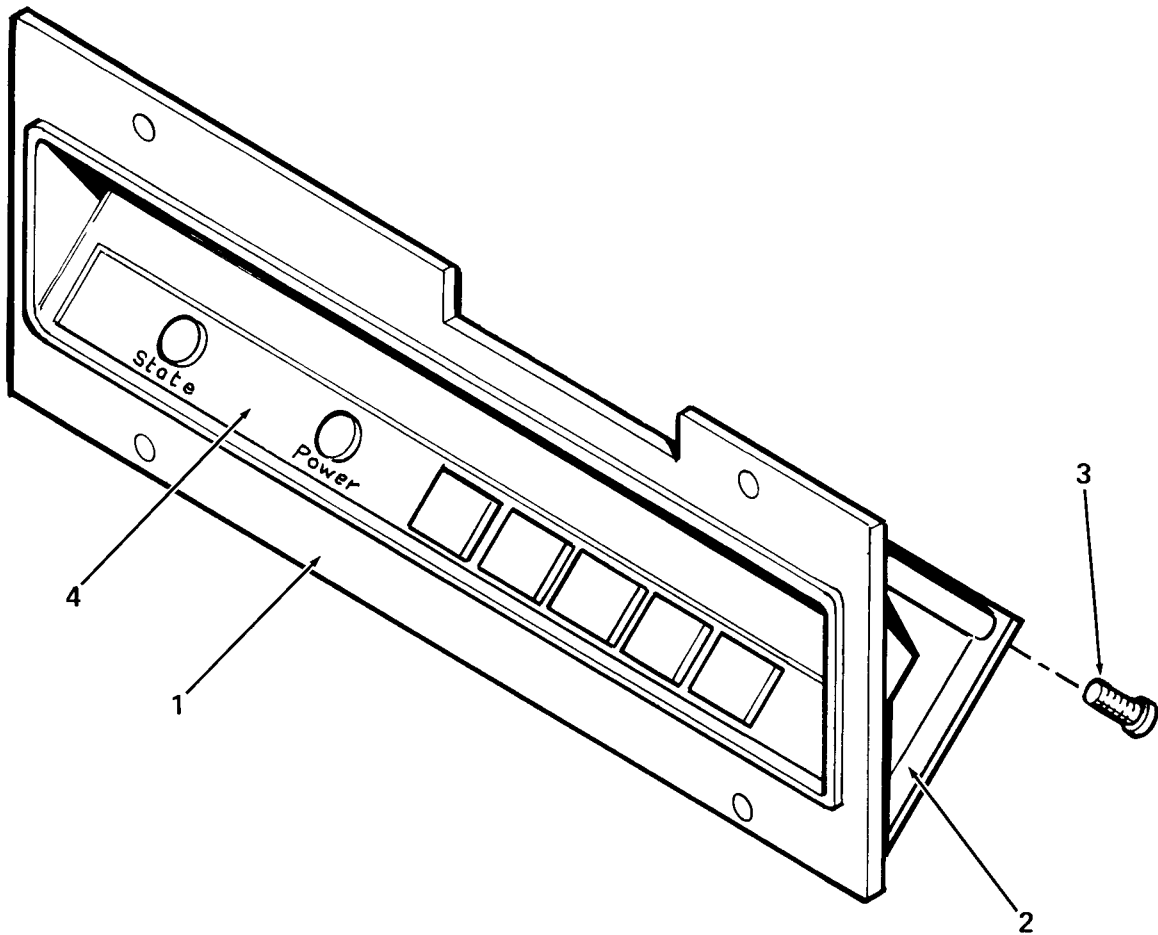
THIS PAGE INTENTIONALLY LEFT BLANK

HSC50-19-BD

Figure 19. Bezel Assembly (Original Design)

FIG. & ITEM NO.	DESCRIPTION	DEC PART NO. ^A	ECO CUT-IN 70-20186 00002	USED ON CODE	REF FIG NO.
19-	BEZEL ASSEMBLY (Original Design)	70-20186-01			17,17A
1	*Bezel Weldment Assembly	70-19638-01			
2	*TU58 DRIVE (See Note)	TU58-BB			
3	*Washer	74-24101-00			
4	*Spring, Compression	12-17653-00			
5	*Screw, Shoulder	74-24084-00			
6	*Cable Assembly, L.E.D./TU58	70-20204-00			
7	*Switch, Rocker (2PST) (.5A)	12-21017-01			
8	*Cable Assembly, OCP to Rocker Switch	70-19705-01			
9	*Clip, Retaining (Panel Mounting for L.E.D.)	12-20355-01			
10	*L.E.D., 2MCD @ 10 mA	11-10864-00			
11	*Cable Assembly, Bezel/Chassis Bulkhead	70-19677-01			
12	*Washer, Flat	90-06664-00			
13	*Nut, Kep No. 10-32 x 3/8	90-06565-00			
14	*Guide, Nylon Card	12-20972-01			
15	*Plate, Bezel Cover	70-19255-01			
16	*Screw, Sems Phi Pan Hd No. 6-32 x 3/8	90-09984-00			
17	*Label, "HSC50"	36-20764-01			
	NOTE: See IPB Manual EK-TU58-IP.				

FIG. & ITEM NO.	DESCRIPTION	DEC PART NO.	ECO CUT-IN 70-20524 00004	USED ON CODE	REF FIG NO.
20-	OCP ASSEMBLY (ORIGINAL DESIGN) (deleted) (See Figure 21A for Modified Design)	70-20524-01	70-20185 00002		17
1	*Bezel, OCP	74-27879-01			
2	*Module, Operator Control Panel	54-15286-01			
3	*Screw, Sems Phi Pan Hd No. 6-32 x 3/8	90-09984-00			
4	*Label, "Door Insert"	36-20763-01			

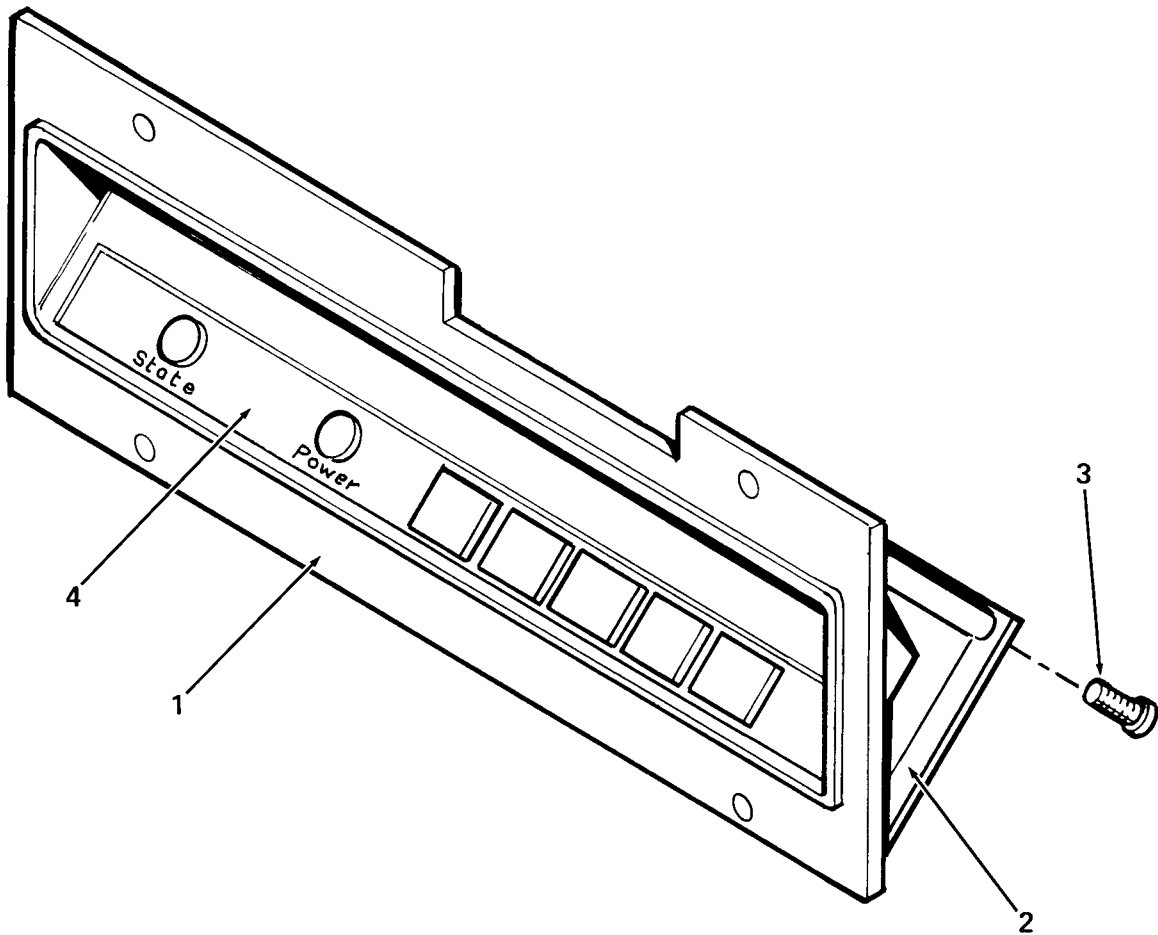


HSC50-20-SC

Figure 20. OCP Assembly (Original Design)

THIS PAGE INTENTIONALLY LEFT BLANK

FIG. & ITEM NO.	DESCRIPTION	DEC PART NO.	ECO CUT-IN 70-23138 00002	USED ON CODE	REF FIG NO.
20A-	OCP ASSEMBLY (Modified Design)	70-23138-01			17A
1	*Bezel, OCP	74-32304-01			
2	*Module, Operator Control Panel	54-15286-01			
3	*Screw, Sems Phi Pan Hd No. 6-32 x 3/8	90-09984-00			
4	*Label, "Door Insert"	36-20763-01			
					Ω



HSC50-20A-SC

Figure 20A. OCP Assembly (Modified Design)

THIS PAGE INTENTIONALLY LEFT BLANK

PART NUMBER/DESCRIPTION INDEX

INDEX BY DEC PART NUMBER
HCS50 STORAGE CONTROLLER

PART NO.	DESCRIPTION	FIG NO.	ITEM NO.
11-10864-00	L.E.D., 2MCD @ 10 mA	19	10
12-10114-00	Knob, Pointer	10	31
12-10114-00	Knob, Pointer	9	7
12-11204-03	Connector, Power Receptacle	9	30
12-12167-00	Connector, (P3) Socket Housing 3 Pin	11A	2
12-12167-00	Connector, (P3) Socket Housing 3 Pin	11	2
12-12170-00	Terminal, (P3) Socket Contact	11A	3
12-12170-00	Terminal, (P3) Socket Contact	11	3
12-12265-00	Connector, Duplex Receptacle (125V 20A)	10	28
12-12315-00	Outlet, Twist Lock Receptacle (30A)(deleted)	10	27
12-12431-09	Tape, Adhesive	18A	3
12-12431-10	Tape, Velcro	18A	2
12-12893-00	Holder, Panel Mount Fuse (20A 300V)	10	17
12-12893-00	Holder, Panel Mount Fuse (20A 300V)	9	11
12-12972-02	Spring, 1/4 Turn Receptacle Fastener	2A	17
12-12972-02	Spring, 1/4 Turn Receptacle Fastener	2	17
12-12972-03	Grommet, Retainer	16	15
12-12972-03	Grommet, Retainer	16A	3
12-12972-06	Fastener, Allen Head	16A	4
12-12972-06	Fastener, Allen Head	16	17
12-13121-22	Filter, Air Foam	18A	4
12-13287-00	Filter Assembly, Line (120V/250V, 49-61 Hz) (added)	10	3
12-13287-01	Filter Assembly, Line (120V/250V, 49-61 Hz) (deleted)	10	3
12-13287-01	Filter Assembly, Line (120/250V 49-61 Hz) (deleted)	9	18
12-13287-02	Filter Assembly, Line (120/250V 49-61 Hz) (added)	9	18
12-13756-12	Strap, Ground	4	9
12-13756-12	Strap, Ground	4A	9
12-13756-20	Strap, Ground	15	4
12-13756-28	Strap, Ground	4	29
12-13756-28	Strap, Ground	4A	29
12-14390-04	Fastener, 1/4 Turn	16	Not Shown
12-14390-04	Fastener, 1/4 Turn	13A	6
12-14664-00	Lock and Cam Assembly	18	7
12-15243-00	Screwlock Assembly, Female No. 4-40	6	8
12-15243-00	Screwlock Assembly, No. 4-40 (Female)	4	40
12-16007-05	Shield, RFI/EMI (75 Contacts)	4	35
12-16007-06	Shield, RFI	3A	7
12-16007-06	Shield, RFI/EMI (68 Contacts)	4A	35
12-16007-06	Shield, RFI	3	9
12-16225-01	Spring, Hinge (Compression)	16	10
12-16225-01	Spring, Hinge (Compression)	18A	8
12-16225-01	Spring, Hinge (Compression)	16A	11
12-16225-01	Spring, Hinge (Compression)	18	8
12-17000-00	Terminal, Quick Disconnect	11	5
12-17000-00	Terminal, Quick Disconnect	11A	5
12-17010-05	Guide, Card	6	9
12-17010-06	Guide, Card	6	10
12-17653-00	Spring, Compression	19	4
12-18138-01	Breaker, Circuit (Magnetic, Four Pole)	10	12
12-18139-00	Breaker, Circuit (Magnetic, Single Pole)	10	10
12-18334-01	Contractor, Magnetic	10	7
12-18334-02	Contact, Magnetic	9	27

INDEX BY DEC PART NUMBER
HSC50 STORAGE CONTROLLER

PART NO.	DESCRIPTION	FIG NO.	ITEM NO.
12-18828-00	Blower, Forward 200 CFM (120V)	4	37
12-18828-00	Blower, Forward 200 CFM (120V)	4A	37
12-19042-00	Rivet, Blind	15	3
12-19281-00	Lamp, Neon w/Resistor	10	25
12-19281-00	Lamp, Neon w/Resistor	9	14
12-19283-17	Fuse, Slo Blo 1/8A (250V)	4A	31
12-19283-17	Fuse, Slo Blo 1/8A (250V)	4	31
12-19294-00	Holder, Neon Lamp	10	24
12-19294-02	Holder, Neon Lamp	9	13
12-19295-01	Lens, Lamp Holder	9	15
12-19295-01	Lens, Lamp Holder	10	26
12-19380-01	Latch, Hook-End Draw	13	3
12-19380-01	Latch, Hook-End Draw	13A	3
12-19713-01	Standoff, Male/Female No. 6-32	2A	13
12-19713-01	Standoff, Male/Female No. 6-32	2	13
12-20355-01	Clip, Retaining (Panel Mounting for L.E.D.)	19	9
12-20580-08	Shield, RFI/EMI (8 Fingers)	4A	4
12-20580-08	Shield, RFI/EMI (8 Fingers)	4	4
12-20580-13	Shield, EMI/RFI (34 Fingers)	16A	8
12-20580-13	Shield, EMI/RFI (34 Fingers)	16	3
12-20580-13	Shield, EMI/RFI (34 Position)	3A	13
12-20580-14	Shield, EMI/RFI (43 Position)	3A	11
12-20580-14	Shield, RFI/EMI (43 Fingers)	4	33
12-20580-15	Shield, EMI/RFI (45 Fingers)	16A	2
12-20580-15	Shield, EMI/RFI (45 Fingers)	16	2
12-20580-15	Shield, RFI/EMI (45 Fingers)	4A	34
12-20580-15	Shield, RFI/EMI (45 Fingers)	4	34
12-20580-16	Shield, EMI/RFI (48 Fingers)	18	5
12-20580-17	Shield, RFI/EMI (57 Fingers)	4A	5
12-20580-17	Shield, RFI/EMI (57 Fingers)	4	5
12-20580-19	Shield, EMI/RFI (68 Position)	3A	12
12-20580-19	Shield, RFI/EMI (68 Fingers)	4	14
12-20580-20	Shield, EMI/RFI (13 Fingers)	16	5
12-20580-21	Shield, EMI/RFI (18 Fingers)	16	4
12-20580-21	Shield, EMI/RFI (18 Fingers)	16A	7
12-20589-15	Shield, EMI/RFI (45 Fingers)	18	6
12-20972-01	Guide, Nylon Card	19	14
12-20996-01	Relay, Power Coil (12V 10A)	4	32
12-20996-01	Relay, Power Coil (12V 10A)	4A	32
12-21017-01	Switch, Rocker (2PST) (.5A)	19	7
12-21017-01	Switch Rocker (DPST) (.5A /28V)	6	4
12-21368-01	Screw, Sems Phl Pan Hd No. 6-32 x 1-1/8	4A	28
12-21368-01	Screw, Sems Phl Pan Hd No. 6-32 x 1-1/8	4	28
12-21368-02	Screw, Sems Phl Pan Hd No. 10-32 x 5/8	3	12
12-21368-02	Screw, Sems Phl Pan Hd No. 10-32 x 5/8	4	7
12-21368-02	Screw, Sems Phl Pan Hd No. 10-32 x 5/8 (added)	5	6
12-21368-02	Screw, Sems Phl Pan Hd No. 10-32 x 11/32	3A	14
12-21368-02	Screw, Sems Phl Pan Hd No. 10-32 x 5/8	4A	7
12-21368-03	Screw, Sems Phl Pan Hd No. 10-32 x 11/32 (added)	8	6A
12-21368-03	Screw, Sems Phl Pan Hd No. 10-32 x 3/4	4	26
12-21368-03	Screw, Sems Phl Pan Hd No. 10-32 x 11/32	2	18
12-21368-03	Screw, Sems Phl Pan Hd No. 10-32 x 3/4	4A	26
12-21368-03	Screw, Sems Phl Pan Hd No. 10-32 x 11/32	3	7

INDEX BY DEC PART NUMBER
HCS50 STORAGE CONTROLLER

PART NO.	DESCRIPTION	FIG NO.	ITEM NO.
12-21368-03	Screw, Sems Phl Pan Hd No. 10-32 x 5/8	3A	10
12-21368-03	Screw, Sems Phl Pan Hd No. 10-32 x 11/32	6	3
12-21368-03	Screw, Sems Phl Pan Hd No. 10-32 x 11/32	2A	18
12-21368-04	Screw, Sems Phl Pan Hd No. 10-32 x 9/32	5	3
12-21394-01	Cover, Wiring Duct	4	13
12-21394-01	Cover, Wiring Duct	4A	13
12-21394-02	Duct, Wiring	4	11
12-21394-02	Duct, Wiring	4A	11
12-21532-01	Breaker, Circuit (50/15A 480V)	9	17
12-23201-01	Sensor Assembly, Air Flow (deleted from -01 variation only)	13	2
12-24023-02	Cable Assembly, w/Wrist Strap	17A	8
12-25411-01	Latch, Flush Lift-N-Turn w/Lock	18A	5
12-26092-01	Switch Assembly, Air Flow Sensor	13A	5
12-26092-01	Switch Assembly, Air Flow Sensor (added) (added to -01 variation only)	13	2
16-18094-00	Transformer, 3 PHASE P=AB S=24 @.2A	11A	1
16-19116-00	Transformer (240V/416V 50 Hz)	11	1
17-00083-06	Cord, Power Term. (250V 50 Hz) (added)	1	Not Shown
17-00083-06	Cord, Power Term. (250V 50 Hz) (deleted)	1	Not Shown
17-00350-02	Cord, Power (deleted)	8	8
17-00350-03	Cord, Power (added)	8	8
17-00958-01	Cable Assembly, Shielded COAX	14A	1
17-01231-01	Harness Assembly, Wire	4A	Not Shown
17-01275-01	Harness Assembly, Wire	4A	Not Shown
17-01276-01	Cord Assembly, AC Line (added)	7	13
17-01276-01	Cord Assembly, Line (deleted)	4A	Not Shown
17-01276-02	Cord Assembly, AC Line	4A	36
17-01276-03	Cord Assembly, AC Line	4A	36
30-20198-01	Regulator, P/S Switching (120V 60 Hz)	12	2
30-20198-02	Regulator, P/S Switching (240V 50 Hz)	12	2
30-20199-01	Regulator, Switching (120V 60 Hz)	7	2
30-20199-02	Regulator, Switching (240V 50 Hz)	7	2
30-24374-01	CONTROLLER ASSEMBLY, POWER (120V 60 Hz)	4A	31
30-24374-02	CONTROLLER ASSEMBLY, POWER (240V 50 Hz)	4A	31
36-10267-00	Label, "Danger, High Voltage"	8	Not Shown
36-10267-00	Label, "Danger, High Voltage"	9	Not Shown
36-12680-00	Decal, "Ground"	10	Not Shown
36-13211-00	Decal, "C.S.A."	2	Not Shown
36-13211-00	Decal, "CSA"	4	Not Shown
36-13272-00	Label, Ground	15	Not Shown
36-13307-00	Label, "Warning, Hazard High Temperature" (deleted)	4	Not Shown
36-13307-00	Label, "Warning, Hazard High Temperature" (added)	4	Not Shown
36-17614-00	Label, "Caution"	8	Not Shown
36-17674-00	Label, "Serial/Power w/o UL and CSA"	2	Not Shown
36-17674-00	Label, "Serial/Power w/o UL and CSA"	4	Not Shown
36-17674-01	Label, "Serial/Power w/UL and CSA"	2	Not Shown
36-17674-01	Label, "Serial/Power w/UL and CSA" (added)	4	Not Shown
36-17674-38	Label, "Serial/Power Universal" (deleted)	4A	Not Shown
36-17674-38	Label, "Serial/Power, Universal"	2A	Not Shown

INDEX BY DEC PART NUMBER
HSC50 STORAGE CONTROLLER

PART NO.	DESCRIPTION	FIG NO.	ITEM NO.
36-17674-38	Label, "Serial/Power, Universal"	2	Not Shown
36-17880-03	Label, "FCC, Class A, Peripheral"	4	Not Shown
36-17880-03	Label, "FCC, Class A, Peripheral" (deleted)	4A	Not Shown
36-17880-03	Label, "F.C.C., Class A, Peripheral"	2	Not Shown
36-17880-03	Label, "F.C.C., Class A, Peripheral"	2A	Not Shown
36-18307-05	Label, "F.C.C." (deleted)	2	Not Shown
36-20763-01	Label, "Door Insert"	20A	4
36-20763-01	Label, "Door Insert"	20	4
36-20764-01	Label, "HSC50"	19	17
36-21585-01	Label, "HSC50"	17	Not Shown
36-21682-01	Label, "HSC50"	4	Not Shown
36-21682-01	Label, "HSC50"	4A	Not Shown
36-21683-01	Label, "Warning, Air Inlet"	4	Not Shown
36-21684-01	Plate, Card Cage Cover (deleted)	3A	4
36-21684-01	Label, "Card Cage Module Placement" (deleted)	3A	5
36-21684-01	Label, "Card Cage Module Placement"	4A	Not Shown
36-21686-01	Label, "HSC50, Rear Door, I/O"	16	Not Shown
36-21686-01	Label, "HSC50 Rear Door I/O"	3A	15
36-21686-01	Label, "Warning, Air Inlet"	4A	Not Shown
36-21687-01	Label, "Warning, Hazard"	4A	Not Shown
36-21687-01	Label, "Warning, Hazard"	4	Not Shown
36-21711-15	Label, "Bar Code"	12	Not Shown
36-21711-15	Label, "Bar Code" (added)	7	Not Shown
36-21711-15	Label, "Blank" (added)	4A	Not Shown
36-21758-01	Label, "Card Cage"	1	Not Shown
36-21758-01	Label, "Card Cage"	1	Not Shown
36-21758-01	Label, "Card Cage Plenum"	4A	Not Shown
36-21758-01	Label, "Card Cage"	1A	Not Shown
36-21758-01	Label, "HSC50 Card Cage" (deleted)	3A	6
36-21758-01	Label, "Card Cage"	1A	Not Shown
36-25418-01	Label, "DC On/Off Switch"	4A	Not Shown
54-14048-00	Module, HSC50 Backplane	4	27
54-14048-00	Module, HSC50 Backplane	4A	27
54-14648-00	Module, AC Control (873)	9	5
54-14648-00	Module, AC Control (873)	10	16
54-14664-00	Module, 873 MOV	10	23
54-14664-01	Module, 873 MOV	9	29
54-15286-01	Module, Operator Control Panel	20A	2
54-15286-01	Module, Operator Control Panel	20	2
54-15398-00	Module, I/O Feedthrough	14	2
70-00470-01	Cable Assembly, Backplane to Bulkhead SI (added)	14	4
70-08288-8F	Cable Assembly, 8.5 Ft (Not Shown)	2	24
70-08288-8F	Cable Assembly, 8.5 Ft (Not Shown)	2A	24
70-15254-00	Cord Assembly, Power	9	9
70-17936-00	TRANSFORMER ASSEMBLY (added)	10	19
70-17943-00	Diode Assembly	10	11
70-17943-00	Diode Assembly	9	26
70-17946-00	Jumper, Ground	10	4
70-17948-00	Jumper, Red MOV Board	10	Not Shown
70-17948-01	Jumper, Black MOV Board	10	Not Shown
70-17948-02	Jumper, Violet MOV Board	10	Not Shown
70-17949-00	Jumper, Circuit Breaker (deleted)	10	22
70-17950-00	Harness Assembly, Contractor Coil	10	20
70-17964-00	Jumper, Neutral No. (deleted)	10	34

INDEX BY DEC PART NUMBER
HCS50 STORAGE CONTROLLER

PART NO.	DESCRIPTION	FIG NO.	ITEM NO.
70-17965-00	Jumper, Neutral No. 2	10	35
70-18526-1A	Cable Assembly, (C1780)	14	5
70-19075-01	Form Assembly, Roll	15	2
70-19082-01	Panel Assembly, End	15	1
70-19083-01	PANEL ASSEMBLY, END (40 Inch)	15	N/A
70-19083-01	PANEL ASSEMBLY, END (40 Inch)	2	20
70-19083-01	PANEL ASSEMBLY, END (40 Inch)	2A	20
70-19088-01	STOP ASSEMBLY, DOOR	2A	12
70-19088-01	STOP ASSEMBLY, DOOR	2	12
70-19122-00	CONTROLLER ASSEMBLY, POWER (120V 60 Hz) (Original Design) (Deleted)	8	N/A
70-19122-00	CONTROLLER ASSEMBLY, POWER (120V 60 Hz)	4	31
70-19125-00	Panel Assembly, Front	10	1
70-19139-00	Harness Assembly, Power	10	9
70-19140-00	Harness Assembly, Control	10	21
70-19141-00	Jumper, Black PL	10	Not Shown
70-19142-00	Jumper, Red PL	10	Not Shown
70-19250-01	Hinge Assembly, Rear Door Bracket	4	45
70-19251-01	Inlet Assembly, Blower	4A	41
70-19251-01	Inlet Assembly, Blower	4	41
70-19253-01	Chassis Assembly	6	1
70-19255-01	Plate, Bezel Cover	19	15
70-19635-01	Tray Weldment Assembly, Power Supply	7	1
70-19636-01	Tray Weldment Assembly, Optional P/S	12	1
70-19638-01	Bezel Weldment Assembly	19	1
70-19671-01	Door Subassembly, Rear	16	1
70-19672-01	Door Assembly, Front	18A	1
70-19672-01	Door Assembly, Front	18	1
70-19674-01	Bracket Assembly, Rear Vent Support	2	10
70-19674-01	Bracket Assembly, Rear Vent Support	2A	10
70-19675-01	Cover, Top	2	21
70-19675-01	Cover, Top	2A	21
70-19676-01	Harness Assembly, Backplane/Chassis Bulkhead	6	7
70-19677-01	Cable Assembly, Bezel/Chassis Bulkhead	19	11
70-19679-01	Harness Assembly, Backplane to P/S Intrcnt.	4A	Not Shown
70-19679-01	Harness Assembly, Backplane to P/S Intrcnt.	4	Not Shown
70-19680-01	Harness Assembly, Standard P/S Interconnect	7	8
70-19681-01	Cable Assembly, Standard P/S Interconnect	7	9
70-19682-01	Cable Assembly, Backplane to Optional P/S Interconnect	4	50
70-19682-01	Cable Assembly, Backplane to Optional P/S Interconnect	4A	50
70-19683-01	Cable Assembly, Optional P/S Interconnect	12	8
70-19684-01	Cable Assembly, Backplane to P/S (-5V)	4A	Not Shown
70-19684-01	Cable Assembly, Backplane to P/S (-5V)	4	Not Shown
70-19685-01	Cable Assembly, Backplane to P/S Ground	1A	Not Shown
70-19685-01	Cable Assembly, Backplane to P/S Ground	4A	Not Shown
70-19685-01	Cable Assembly, Backplane to P/S Ground	4	Not Shown
70-19685-01	Cable Assembly, Backplane to P/S Ground	1	Not Shown
70-19685-02	Cable Assembly, Backplane to P/S (+5V)	1	Not Shown
70-19685-02	Cable Assembly, Backplane to P/S (+5V)	1A	Not Shown
70-19685-02	Cable Assembly, Backplane to P/S (+5V)	4A	Not Shown
70-19685-02	Cable Assembly, Backplane to P/S (+5V)	4	Not Shown

INDEX BY DEC PART NUMBER
HSC50 STORAGE CONTROLLER

PART NO.	DESCRIPTION	FIG NO.	ITEM NO.
70-19686-01	Cord Assembly, Power Supply AC Line (120V) (deleted)	12	10
70-19686-01	Cord Assembly, AC Line (deleted)	7	13
70-19686-01	Cord Assembly, Line (added)	4	Not Shown
70-19686-02	Cord Assembly, Power Supply AC Line (240V) (deleted)	12	10
70-19686-02	Cord Assembly, AC Line (deleted)	7	13
70-19686-02	Cord Assembly, Line (added)	4	Not Shown
70-19700-01	Duct Subassembly, Outlet	13	1
70-19700-02	Duct Subassembly, Outlet (added to -02 variation only)	13	1
70-19700-02	Duct Subassembly, Outlet (deleted from -02 variation only)	13	1
70-19705-01	Cable Assembly, OCP to Rocker Switch	19	8
70-19706-0M	Cable Assembly, Backplane to Bulkhead SI (deleted)	14	4
70-19975-01	Panel Assembly, Front	9	1
70-20024-01	BULKHEAD ASSEMBLY, I/O (Original Design) (deleted)	14	N/A
70-20024-01	BULKHEAD ASSEMBLY, I/O	4	39
70-20025-01	MECHANICAL ASSEMBLY, HSC50 TOP (1 P.S.)	2A	N/A
70-20025-01	MECHANICAL ASSEMBLY, HSC50 TOP	1A	1
70-20025-01	MECHANICAL ASSEMBLY, HSC50 TOP (120V 60 Hz)	1	1
70-20025-01	MECHANICAL ASSEMBLY, HSC50 TOP	2	N/A
70-20025-02	MECHANICAL ASSEMBLY, HSC50 TOP (ORIGINAL DESIGN)	2	N/A
70-20025-02	MECHANICAL ASSEMBLY, HSC50 TOP (1 P.S.)	2A	N/A
70-20025-02	MECHANICAL ASSEMBLY, HSC50 TOP	1A	1
70-20025-02	MECHANICAL ASSEMBLY, HSC50 TOP (240V 50 Hz)	1	1
70-20025-03	MECHANICAL ASSEMBLY, HSC50 TOP (2 P.S.)	2A	N/A
70-20025-04	MECHANICAL ASSEMBLY, HSC50 TOP (2 P.S.) (MODIFIED DESIGN)	2A	N/A
70-20026-01	DOOR ASSEMBLY, REAR (deleted) (Original Design)	16	N/A
70-20026-01	DOOR ASSEMBLY, REAR	2	19
70-20027-01	DOOR ASSEMBLY, FRONT	17	1
70-20027-01	DOOR ASSEMBLY, FRONT	17A	1
70-20027-01	FRONT DOOR ASSEMBLY (Original Design)	18	N/A
70-20027-01	DOOR ASSEMBLY, FRONT (Modified Design)	18A	N/A
70-20028-01	CABINET/SHIELD ASSEMBLY (1 P.S. 60 Hz)	3A	N/A
70-20028-01	CABINET/SHIELD ASSEMBLY (1 P.S. 60 Hz)	2A	1
70-20028-01	CABINET/SHIELD ASSEMBLY (120V 60 Hz)	2	1
70-20028-01	CABINET/SHIELD ASSEMBLY (120V 60 Hz)	3	N/A
70-20028-02	CABINET/SHIELD ASSEMBLY (1 P.S. 50 Hz)	3A	N/A
70-20028-02	CABINET/SHIELD ASSEMBLY (1 P.S. 50 Hz)	2A	1
70-20028-02	CABINET/SHIELD ASSEMBLY (240V 50 Hz)	2	1
70-20028-02	CABINET/SHIELD ASSEMBLY (240V 50 Hz) (ORIGINAL DESIGN)	3	N/A
70-20028-03	CABINET/SHIELD ASSEMBLY (2 P.S. 60 Hz)	3A	N/A
70-20028-03	CABINET/SHIELD ASSEMBLY (2 P.S. 60 Hz)	2A	1
70-20028-04	CABINET/SHIELD ASSEMBLY (2 P.S. 50 Hz) (MODIFIED DESIGN)	3A	N/A
70-20028-04	CABINET/SHIELD ASSEMBLY (2 P.S. 50 Hz)	2A	1
70-20029-01	CABINET/MODULE ASSEMBLY (1 P.S. 60 Hz)	3A	1
70-20029-01	CABINET/MODULE ASSEMBLY (120V 60 Hz)	3	1
70-20029-02	CABINET/MODULE ASSEMBLY (1 P.S. 50 Hz)	3A	1
70-20029-02	CABINET/MODULE ASSEMBLY (240V 50 Hz)	3	1
70-20029-03	CABINET/MODULE ASSEMBLY (2 P.S. 60 Hz)	3A	1
70-20029-04	CABINET/MODULE ASSEMBLY (2 P.S. 50 Hz)	3A	1

INDEX BY DEC PART NUMBER
HCS50 STORAGE CONTROLLER

PART NO.	DESCRIPTION	FIG NO.	ITEM NO.
70-20030-00	Screw, Sems Phl Pan Hd No. 6-32 x 3/8	9	16A
70-20030-01	CABINET ASSEMBLY (1 P.S. 120V 60 Hz)	3A	2
70-20030-01	CABINET ASSEMBLY (120V 60 Hz)	4	N/A
70-20030-01	CABINET ASSEMBLY (1 P.S. 60 Hz)	4A	N/A
70-20030-02	CABINET ASSEMBLY (1 P.S. 240V 50 Hz)	3A	2
70-20030-02	CABINET ASSEMBLY (240V 50 Hz) (ORIGINAL DESIGN)	4	N/A
70-20030-02	CABINET ASSEMBLY (1 P.S. 50 Hz)	4A	N/A
70-20030-03	CABINET ASSEMBLY (2 P.S. 120V 60 Hz)	3A	2
70-20030-03	CABINET ASSEMBLY (2 P.S. 60 Hz)	4A	N/A
70-20030-04	CABINET ASSEMBLY (2 P.S. 50 Hz) (MODIFIED DESIGN)	4A	N/A
70-20030-04	CABINET ASSEMBLY (2 P.S. 240V 50 Hz)	3A	2
70-20031-01	FRAME ASSEMBLY	4A	1
70-20031-01	FRAME ASSEMBLY	5	N/A
70-20031-01	FRAME ASSEMBLY	4	1
70-20032-01	CHASSIS ASSEMBLY	6	N/A
70-20032-01	CHASSIS ASSEMBLY	4	2
70-20032-01	CHASSIS ASSEMBLY	4A	2
70-20033-01	POWER SUPPLY ASSEMBLY, STANDARD (120V 60 Hz) (deleted)	7	N/A
70-20033-02	POWER SUPPLY ASSEMBLY, STANDARD (240V 50 Hz) (deleted)	7	N/A
70-20033-03	POWER SUPPLY ASSEMBLY, STANDARD (120V 60 Hz) (added)	7	N/A
70-20033-03	POWER SUPPLY ASSEMBLY, STANDARD (120V 60 Hz)	4	22
70-20033-03	POWER SUPPLY ASSEMBLY, STANDARD (60 Hz)	4A	22
70-20033-04	POWER SUPPLY ASSEMBLY, STANDARD (240V 50 Hz) (added)	7	N/A
70-20033-04	POWER SUPPLY ASSEMBLY, STANDARD (240V 60 Hz)	4	22
70-20033-04	POWER SUPPLY ASSEMBLY, STANDARD (50 Hz)	4A	22
70-20184-01	POWER SUPPLY ASSEMBLY, OPTIONAL (120V)	12	N/A
70-20184-01	POWER SUPPLY ASSEMBLY, OPTIONAL	1	Not Shown
70-20184-01	POWER SUPPLY ASSEMBLY, OPTIONAL	1A	Not Shown
70-20184-02	POWER SUPPLY ASSEMBLY, OPTIONAL (240V)	12	N/A
70-20184-02	POWER SUPPLY ASSEMBLY, OPTIONAL	1A	Not Shown
70-20184-02	POWER SUPPLY ASSEMBLY, OPTIONAL	1	Not Shown
70-20185-01	DOOR/BEZEL ASSEMBLY, FRONT (Modified Design)	17A	N/A
70-20185-01	DOOR/BEZEL ASSEMBLY, FRONT (Original Design)	17	N/A
70-20185-01	BEZEL/DOOR ASSEMBLY, FRONT	4	24
70-20185-01	BEZEL/DOOR ASSEMBLY, FRONT	4A	24
70-20186-01	BEZEL ASSEMBLY	17	2
70-20186-01	BEZEL ASSEMBLY (Original Design)	19	N/A
70-20186-01	BEZEL ASSEMBLY	17A	2
70-20188-01	Frame Assembly, Extender	4	30
70-20188-01	Frame Assembly, Extender	4A	30
70-20191-01	DUCT ASSEMBLY, OUTLET (RH) (ORIGINAL DESIGN) (deleted)	13	N/A
70-20191-01	DUCT ASSEMBLY, OUTLET	4	38
70-20191-02	DUCT ASSEMBLY, OUTLET (LH) (deleted)	13	N/A
70-20191-02	DUCT ASSEMBLY, OUTLET (LH) (added)	13	N/A
70-20193-01	Frame Assembly	5	1
70-20196-01	Cable Assembly, DC On/Off Switch	6	6
70-20197-01	Cable Assembly, DC On/Off P/S	7	11
70-20198-01	Cable Assembly, Optional P/S DC On/Off (deleted)	12	7
70-20198-02	Nut, Hex Ext. Tooth Lckwshr No. 6-32 (added)	12	12

INDEX BY DEC PART NUMBER
HSC50 STORAGE CONTROLLER

PART NO.	DESCRIPTION	FIG NO.	ITEM NO.
70-20199-01	Cable Assembly, DC On/Off Power Supply	1	Not Shown
70-20199-01	Cable Assembly, DC On/Off Power Supply	1A	Not Shown
70-20202-01	Cable Assembly, Relay to PC Airflow Sensor	4	Not Shown
70-20202-01	Cable Assembly, Airflow Sensor	4	Not Shown
70-20203-01	Cable Assembly, Air Flow Sensor P/S	7	10
70-20204-00	Cable Assembly, L.E.D./TU58	19	6
70-20205-01	Cable Assembly, Power Bus Filter	3	2
70-20206-01	Cord Assembly, Blower AC Line (120V 60 Hz)	4	36
70-20206-02	Cord Assembly, Blower AC Line (240V 50 Hz)	4	36
70-20522-01	Cable Assembly, Terminal Power	6	5
70-20524-01	OCP ASSEMBLY (ORIGINAL DESIGN) (deleted)	20	N/A
70-20524-01	OCP ASSEMBLY	17	5
70-20526-01	CONTROLLER SUBASSEMBLY, POWER (Original Design) (deleted)	10	N/A
70-20526-01	CONTROLLER SUBASSEMBLY, POWER	8	1
70-20613-00	CONTROLLER ASSEMBLY, POWER (240V 50 Hz)	4	31
70-20613-01	CONTROLLER ASSEMBLY, POWER (240V 50 Hz) (Original Design) (deleted)	9	N/A
70-21036-00	TRANSFORMER ASSEMBLY (Rework) (Modified Design) (added)	11A	N/A
70-21036-00	TRANSFORMER ASSEMBLY (deleted)	10	19
70-21036-01	TRANSFORMER ASSEMBLY (Rework) (Original Design) (deleted)	11	N/A
70-21036-01	TRANSFORMER ASSEMBLY (REWORK)	9	23
70-21037-01	Circuit Breaker/MOV BD Jumper Assembly	9	Not Shown
70-21038-01	Jumper Assembly, Neutral	9	33
70-21039-01	Jumper Assembly, MOV BD (Red)	9	Not Shown
70-21039-02	Jumper Assembly, MOV BD (Black)	9	Not Shown
70-21039-03	Jumper Assembly, MOV BD (Violet)	9	Not Shown
70-21040-01	Jumper Assembly, Ground	9	19
70-21040-02	Jumper Assembly, Ground (added)	9	19
70-21041-01	Harness Assembly, Control	9	8
70-21042-01	Cable Assembly, No. 1 Lamp Neutral	9	Not Shown
70-21042-02	Cable Assembly, No. 2 Lamp Neutral	9	Not Shown
70-21043-01	Harness Assembly, Fuse	9	25
70-21044-01	Harness Assembly, Contactor Coil	9	Not Shown
70-21050-01	Harness Assembly, Lamp	9	Not Shown
70-21053-01	Harness Assembly, Filter to Breaker Power	9	24
70-21154-01	Harness Assembly, Receptacle Power	9	32
70-21155-01	Harness Assembly, Breaker to Contactor Power	9	Not Shown
70-22480-01	Stop, Front Door (added)	4	51
70-22480-01	Stop, Front Door (added)	4A	51
70-22489-01	Door Assembly, Rear	16A	1
70-23125-01	DOOR ASSEMBLY, REAR (Modified Design)	16A	N/A
70-23125-01	DOOR ASSEMBLY, REAR	2A	19
70-23135-01	BULKHEAD ASSEMBLY, I/O (Modified Design)	14A	N/A
70-23135-01	BULKHEAD ASSEMBLY, I/O	4A	39
70-23138-01	OCP ASSEMBLY (Modified Design)	20A	N/A
70-23138-01	OCP/BEZEL ASSEMBLY	17A	5
70-23140-02	Cable Assembly, Rear Shield /CI	4A	52
70-23219-01	DUCT ASSEMBLY, OUTLET (MODIFIED DESIGN)	13A	N/A
70-23219-01	DUCT ASSEMBLY, OUTLET	4A	38
70-23220-01	Duct Weldment Assembly, Outlet	13A	1
70-23906-01	Bezel Assembly, (10-1/2 Inch)	2A	2

INDEX BY DEC PART NUMBER
HCS50 STORAGE CONTROLLER

PART NO.	DESCRIPTION	FIG NO.	ITEM NO.
70-23906-01	Bezel Assembly, (10-1/2 Inch) (added)	2	2
70-27099-01	Bar, Nut	5	2
74-15314-00	Bezel, Snap-On (10-1/2 Inch) (deleted)	2	2
74-15711-02	Pin, Pilot (deleted)	2	3
74-16197-02	Decal, "U.L."	2	Not Shown
74-16197-02	Decal, "UL"	4	Not Shown
74-22619-00	Pin, Pivot	16	13
74-22794-05	Tape, Velcro	18	2
74-24084-00	Screw, Shoulder	19	5
74-24101-00	Washer	19	3
74-26147-00	Pin, Door Hinge	16	9
74-26147-00	Pin, Door Hinge	18A	7
74-26147-00	Pin, Door Hinge	18	10
74-26147-00	Pin, Door Hinge	16A	12
74-26567-01	Plate, Blank Front	4A	23
74-26567-01	Plate, Blank Front	4	23
74-26570-01	Bulkhead, Front	6	2
74-26576-01	Cover	10	32
74-26576-01	Cover	9	36
74-26577-00	Cover, Filter	9	35
74-26577-01	Cover, Filter	8	7
74-26578-01	Channel, Strain Relief	8	2
74-26578-01	Channel, Strain Relief	9	10
74-26579-01	Chassis Assembly	10	2
74-26579-01	Chassis Assembly	9	2
74-26604-01	Panel, Rear	10	36
74-26709-01	Pin, Door	16A	14
74-26725-01	Shield, Spring	16A	6
74-26725-01	Spring, Shield	4A	40
74-26883-01	Bracket, Optional Sealing	12	4
74-26884-01	Bracket, Sealing	7	4
74-26885-01	Plate, Baffle	6	14
74-26888-01	Plate, Card Cage Cover	4A	33
74-26891-01	Plate, Rear	6	11
74-26894-01	Cover, Power Supply Exhaust Duct	6	17
74-26895-01	Cover, Plenum	6	18
74-26899-01	Bulkhead, I/O	14	1
74-26900-01	Bulkhead, I/O Blank	3	5
74-27087-01	Bracket, Front Door Lock	4	16
74-27088-01	Bracket, Backplane Mounting	4	25
74-27088-01	Bracket, Backplane Mounting	4A	25
74-27090-01	Bracket, Front Door Pivot	4	6
74-27090-01	Bracket, Front Door Pivot	4A	6
74-27091-01	Bulkhead, Blank (deleted)	3	8
74-27093-01	Bracket, Front Lower Shield	4	17
74-27098-01	Shield, Side	3	10
74-27098-01	Shield, Side	3A	8
74-27100-01	Shield, Top Cover	3	11
74-27100-01	Shield, Top Cover	3A	9
74-27109-01	Shield, Bottom Rear	3	3

INDEX BY DEC PART NUMBER
HSC50 STORAGE CONTROLLER

PART NO.	DESCRIPTION	FIG NO.	ITEM NO.
74-27182-01	Bracket, Rear Door Lock	2	16
74-27182-01	Bracket, Rear Door Lock	2A	16
74-27514-01	Bracket, End Panel Lock (RH)	4	18
74-27514-01	Bracket, End Panel Lock (RH)	4A	18
74-27514-02	Bracket, End Panel Lock (LH)	4	19
74-27514-02	Bracket, End Panel Lock (LH)	4A	19
74-27729-01	Panel, Rear	9	34
74-27787-01	Shield, Front (LH)	4	15
74-27794-01	Tape, Velcro	18	3
74-27794-03	Tape, Velcro (Rear Door, P/S) (deleted)	16	6
74-27794-04	Tape, Velcro (Rear Door, Blower) (deleted)	16	7
74-27794-05	Tape, Adhesive Front Door	18A	6
74-27798-02	Foam, Filter (Rear Door, P/S/Blower)	16	8 (deleted)
74-27798-04	Filter, Foam (Front Door)	18	4
74-27801-04	Foam, Acoustic (Outlet Duct)	13	5
74-27801-05	Foam, Acoustic	13A	2
74-27804-01	Plate, Cover	4	21
74-27804-01	Plate, Cover	4A	21
74-27878-01	Jumper Bar, Power Supply (12V) (deleted)	7	7
74-27879-01	Bezel, OCP	20	1
74-28262-00	Cover, Backplane	4	46
74-28262-01	Cover, Backplane	4A	46
74-28263-01	Module, Blank (Not Shown)	3A	3
74-28263-01	Module, Blank	1A	Not Shown
74-28263-01	Module, Blank	1	Not Shown
74-28326-01	Bar, Front Nut	5	4
74-28327-01	Bar, Rear Nut	5	5
74-29199-01	Cover, Jumper Bar	4	47
74-29199-01	Cover, Jumper Bar	4A	47
74-29606-01	Shield, Front (RH)	4A	3
74-29606-01	Shield, Front (RH)	4	3
74-31828-02	Bulkhead, Top I/O	4A	45
74-31915-01	Bracket, Front Door Lock	4A	16
74-31916-01	Bracket, Front Lower Shield	4A	17
74-31953-01	Shield, Front (LH)	4A	15
74-32304-01	Bezel, OCP	20A	1
74-33488-01	Clamp, Cable (SI)	2A	27
74-33501-01	Gasket, Rear Door	2A	3
74-33501-02	Gasket, Rear Door, Lower	2A	4
74-38127-01	Bulkhead, I/O Bottom	14A	2
90-00021-07	Bushing, Snap-In Nylon	16A	9
90-00021-07	Bushing, Nylon Snap	16	12
90-00030-09	Rivet, Blind Dome	6	13
90-00039-01	Screw, Phl Pan Flat Hd No. 8-32 x 1/4	9	22
90-00039-01	Screw, Phl Pan Hd No. 8-32 x 1/4	10	33
90-00049-38	Screw, Sems Plain Slot No. 10-32 x 3/8	15	5
90-00049-73	Screw, Sems Hex Slot Hd No. 10-16 x 1/2 (added)	2	3
90-00049-73	Screw, Sems Hex Slot Hd No. 10-16 x 1/2	2A	26
90-06022-01	Screw, Phl Pan Hd No. 6-32 x 3/8	2	15
90-06022-01	Screw, Phl Pan Hd No. 6-32 x 3/8	2A	15
90-06037-01	Screw, Mach Phl Pan Hd No. 8-32 x 3/8 (deleted)	9	3
90-06037-01	Screw, Phl Pan Hd No. 8-32 x 3/8 (deleted)	8	3
90-06037-01	Screw, Phl Pan Hd No. 8-32 x 3/8	2	22
90-06037-01	Screw, Phl Pan Hd No. 8-32 x 3/8	2A	22

INDEX BY DEC PART NUMBER
HCS50 STORAGE CONTROLLER

PART NO.	DESCRIPTION	FIG NO.	ITEM NO.
90-06071-01	Screw, Phl Pan Hd No. 10-32 x 3/8 (deleted)	8	5
90-06560-00	Nut, Kep No. 6-32 x 5/16	17	7
90-06560-00	Nut, Kep No. 6-32 x 5/16	17A	7
90-06560-00	Nut, Kep No. 6-32 x 5/16	7	14
90-06560-00	Nut, Kep No. 6-32	10	29
90-06560-00	Nut, Kep No. 6-32	9	31
90-06560-00	Nut, Kep No. 6-32	12	11
90-06560-00	Nut, Kep No. 6-32 x 5/16	4	49
90-06560-00	Nut, Kep No. 6-32 x 5/16	4A	49
90-06563-00	Nut, Kep No. 8-32	17A	9
90-06563-00	Nut, Kep No. 8-21 X 11/32	17A	4
90-06563-00	Nut, Kep No. 8-32	9	28
90-06563-00	Nut, Kep Ext. Tooth Hex No. 8-32 x 11/32	10	8
90-06563-00	Nut, Kep No. 8-21 x 11/32	17	4
90-06563-00	Nut, Kep No. 8-32 x 11/32	2A	23
90-06563-00	Nut, Kep No. 8-32 x 11/32	2	23
90-06565-00	Nut, Kep No. 10-32 x 3/8	19	13
90-06565-00	Nut, Kep No. 10-32 x 3/8	10	6
90-06565-00	Nut, Kep No. 10-32	9	20
90-06565-00	Nut, Kep No. 10-32	1A	Not Shown
90-06565-00	Nut, Kep No. 10-32 x 3/8	4	44
90-06565-00	Nut, Hex Tooth Ext. Lockwasher No. 10-32	2A	25
90-06565-00	Nut, Kep No. 10-32 x 3/8	4A	44
90-06565-00	Nut, Kep No. 10-32	1	Not Shown
90-06565-00	Nut, Kep No. 10-32	2	4
90-06568-00	Nut, Hex Ext. Tooth Lock No. 5/16-18 x 1/2	4A	55
90-06596-00	Nut, Hex No. 1/2-13	2A	6
90-06596-00	Nut, Hex No. 1/2-13	2	6
90-06636-00	Washer, Lock No. 8	17A	10
90-06636-00	Washer, Lock	4A	14
90-06659-00	Washer, Flat	17A	6
90-06659-00	Washer, Flat	17	6
90-06659-00	Washer, Flat	6	16
90-06659-00	Washer, Flat	4A	48
90-06659-00	Washer, Flat	4	48
90-06661-00	Washer, Flat	17	3
90-06661-00	Washer, Flat	17A	3
90-06661-00	Washer, Flat (deleted)	9	16
90-06664-00	Washer, Flat	15	6
90-06664-00	Washer, Flat	19	12
90-06676-00	Washer, Flat (added)	4A	53
90-06679-00	Washer, Flat	4A	56
90-06690-00	Washer, Lock No. 8 (deleted)	8	4
90-06690-00	Washer, Lock (deleted)	9	4
90-07031-00	Tie, Cable	9	Not Shown
90-07031-00	Tie, Cable	4A	43
90-07031-00	Tie, Cable	4	43
90-07207-00	Fuse, Slo Blo 3/8A (250V)	4A	31
90-07207-00	Fuse, Slo Blo 3/8A (250V)	4	31
90-07601-01	Foot, Leveler (No. 1/2-13)	2A	5
90-07601-01	Foot, Leveler No. 1/2-13	2	5
90-07649-00	Washer, Ext. Tooth Lock No. 6	7	12
90-07649-00	Washer, Ext. Tooth Lock No. 6 (deleted)	10	30
90-07649-00	Washer, Ext. Tooth No. 6	12	9

INDEX BY DEC PART NUMBER
HSC50 STORAGE CONTROLLER

PART NO.	DESCRIPTION	FIG NO.	ITEM NO.
90-07651-00	Washer, Lock Ext. Tooth No. 10	9	21
90-07651-00	Washer, Ext. Tooth Lock No. 10	10	5
90-07651-00	Washer Ext Tooth Lock No. 10	1A	Not Shown
90-07651-00	Washer Ext Tooth Lock No. 10	1	Not Shown
90-07651-00	Washer, Ext. Tooth Lock No. 10	4	8
90-07651-00	Washer, Ext. Tooth Lock No. 10	4A	8
90-07906-00	Washer, Lock No. 10 (deleted)	8	6
90-07930-00	Terminal, Ring	11A	4
90-07930-00	Terminal, Ring	11	4
90-08203-00	Nut, Hex Ext. Tooth Lock No. 1/4-20 (added)	4A	54
90-08264-00	Mount, Adhesive Backed Cable Tie	4A	42
90-08264-00	Mount, Adhesive Backed Cable Tie	4	42
90-08274-00	Foam, Tape	7	3
90-08274-00	Tape, Foam	12	3
90-08274-00	Foam, Tape 3/8 Inch x 3/8 (Black)	6	12
90-08500-00	Ring, Retaining	16A	5
90-08527-00	Fuse, Slo Blo (.125A, 125V/250V)	9	12
90-08527-00	Fuse, Slo Blo (.125A/250V)	10	18
90-08878-00	Nut, Weld No. 1/2-13	2	9
90-08878-00	Nut, Weld No. 1/2-13	2A	9
90-09026-00	Washer, Flat	2A	8
90-09026-00	Washer, Flat	2	8
90-09168-00	Bumper, Screw Mount Rubber	2	14
90-09168-00	Bumper, Screw Mount Rubber	2A	14
90-09255-00	Label, "Power Supply" (deleted)	10	Not Shown
90-09255-01	Label, "Power Supply"	12	Not Shown
90-09255-01	Label, "Power Supply" (deleted)	7	Not Shown
90-09255-01	Label, "Power Supply"	9	Not Shown
90-09255-01	Label, "Power Supply"	17	Not Shown
90-09273-01	Ring, Retaining	16A	10
90-09273-02	Ring, Retaining	16	11
90-09273-02	Ring, Retaining	18A	9
90-09273-02	Ring, Retaining	18	9
90-09644-01	Ring, Retaining	16	16
90-09644-01	Ring, Retaining	16A	13
90-09644-01	Ring, Retaining	16	14
90-09700-00	Screw, Sems Phl Truss Hd No. 10-32 x 1/2	1A	Not Shown
90-09700-00	Screw, Sems Phl Truss Hd No. 10-32 x 1/2	4A	10
90-09700-00	Screw, Sems Phl Truss Hd No. 10-32 x 1/2	4	10
90-09700-00	Screw, Sems Phl Truss Hd No. 10-32 x 1/2	1	Not Shown
90-09700-00	Screw, Sems Phl Truss Hd No. 10-32 x 1/2	2	11
90-09700-00	Screw, Sems Phl Truss Hd No. 10-32 x 1/2	2A	11
90-09895-00	Washer, Split Lock	2	7
90-09895-00	Washer, Split Lock	2A	7
90-09984-00	Screw, Sems Phl Pan Hd no. 8-32 x 3/8 (added)	8	3
90-09984-00	Screw, Sems Phl Pan Hd No. 6-32 x 3/8	6	15
90-09984-00	Screw, Sems Phl Pan Hd No. 6-32 x 3/8	10	13
90-09984-00	Screw, Sems Phl Pan Hd No. 6-32 x 3/8	20	3
90-09984-00	Screw, Sems Phl Pan Hd No. 6-32 x 3/8	14A	3
90-09984-00	Screw, Sems Phl Pan Hd No. 6-32 x 3/8	13	4
90-09984-00	Screw, Sems Phl Pan Hd No. 6-32 x 3/8	9	6
90-09984-00	Screw, Sems Phl Pan Hd No. 6-32 x 3/8	7	5
90-09984-00	Screw, Sems Phl Pan Hd No. 6-32 x 3/8	19	16

INDEX BY DEC PART NUMBER
HCS50 STORAGE CONTROLLER

PART NO.	DESCRIPTION	FIG NO.	ITEM NO.
90-09984-00	Screw, Sems Phl Pan Hd No. 6-32 x 3/8	20A	3
90-09984-00	Screw, Sems Phl Pan Hd No. 6-32 x 3/8	12	5
90-09984-00	Screw, Sems Phl Pan Hd No. 6-32 x 3/8	13A	4
90-09984-00	Screw, Sems Phl Pan Hd No. 6-32 x 3/8	4A	12
90-09984-00	Screw, Sems Phl Pan Hd No. 6-32 x 3/8	4	12
90-09984-00	Screw, Sems Phl Pan Hd No. 6-32 x 3/8	3	6
90-09984-03	Screw, Sems Phl Pan Hd No. 6-32 x 1/2	14	3
90-09984-05	Screw, Sems Phl Pan Hd No. 4-40 x 3/8	3	4
90-09984-06	Screw, Sems Phl Pan Hd No. 8-32 x 5/16	12	6
90-09984-06	Screw, sems Phl Pan Hd No. 8-32 x 5/6	7	6
90-09984-07	Screw, Sems Phl Pan Hd No. 6-32 x 3/8 (added)	10	14
90-09984-08	Screw, Sems Phl Pan Hd No. 8-32 x 3/8 (added)	10	15
90-09984-08	Screw, Sems Phl Pan Hd No. 8-32 x 3/8 (added)	9	4A
90-09988-14	Screw, Sems Slotted Hex Hd No. 1/4-20 x 3/4	4	20
90-09988-14	Screw, Sems Slotted Hex Hd No. 1/4-20 x 3/4	4A	20
90-10648-02	Plug, Snap-In Hole	16A	15
90-10648-02	Plug, Snap-In Hole (added)	16	18
90-10648-02	Plug, Snap-In (Nylon)	2A	28
90-10648-02	Plug, Snap-In (added)	2	25
BC22D-10	Cable Assembly, Async. Null Modem (deleted)	1	Not Shown
BC22D-25	Cable Assembly, Async Null Modem 25 Ft	1A	Not Shown
BC22D-25	Cable Assembly, Async. Null Modem (added)	1	Not Shown
BCC05-10	Cable, PC200-PC399 Printer (deleted)	1	Not Shown
BCC05-10	Cable, PC200-PC399 Printer (added)	1	Not Shown
BN03A-2E	Cable, Central Europe IEC32 (250V)	1	Not Shown
BN03A-2E	Cable, Central Europe IEC32 (250V)	1A	Not Shown
EK-HSCMN-IN	Documentation, "HSC Installation Manual"	1	Not Shown
EK-HSCMN-IN	Documentation, "HSC Installation Manual"	1A	Not Shown
H8571-B	Adaptor, Passive 9 Pin Dsub, Male to MMJ (added)	1	Not Shown
HSC50-AA	Model HSC50-AB (240V 50 Hz)	1	N/A
HSC50-AA	Model HSC50-AA (120V 60 Hz)	1A	N/A
HSC50-AA	Model HSC50-AA (120V 60 Hz)	1	N/A
HSC50-AB	Model HSC50-AB (240V 50 Hz)	1A	N/A
HSC5X-BA	DATA CHANNEL, DISK	1	Not Shown
HSC5X-BA	DATA CHANNEL, DISK (KSDI Interface Kit)	1A	Not Shown
HSC5X-CA	DATA CHANNEL, TAPE	1	Not Shown
HSC5X-CA	DATA CHANNEL, TAPE	1A	Not Shown
HSC5X-EA	POWER SUPPLY KIT, OPTIONAL (120V 60 Hz)	1	Not Shown
HSC5X-EA	POWER SUPPLY KIT, OPTIONAL (120V 60 Hz)	1A	Not Shown
HSC5X-EB	POWER SUPPLY KIT, OPTIONAL (240V 50 Hz)	1	Not Shown
HSC5X-EB	POWER SUPPLY KIT, OPTIONAL (240V 50 Hz)	1A	Not Shown
L0100-00	Module, ILI (CI Link Interface)	1A	Not Shown
L0100-00	Module, Interprocessor Link Interface	1	Not Shown
L0105-00	Module, P.IOC (F11 Proc & I/O Control)	1A	Not Shown
L0105-00	Module, P.IOC	1	Not Shown
L0106-AA	Module, M.STD	1	Not Shown
L0106-AA	Module, M.STD (128K Data)	1A	Not Shown
L0107-YA	Module, K.PLI	1	Not Shown
L0107-YA	Module, K.PLI (PLI Port Control)	1A	Not Shown
L0108-YA	Module, KSDI (Connects to 4 SDI Disk Drives)	1A	Not Shown
L0108-YA	Module, KSDI (Connects to 4 Disks)	1	Not Shown
L0108-YB	Module, KSTI (Connects to 4 Tape Formatters)	1A	Not Shown
L0108-YB	Module, KSTI (Connects to 4 Tape Formatters)	1	Not Shown

INDEX BY DEC PART NUMBER
HSC50 STORAGE CONTROLLER

PART NO.	DESCRIPTION	FIG NO.	ITEM NO.
L0109-00	Module, PILA	1	Not Shown
L0109-00	Module, PILA (Packet Buffer Board)	1A	Not Shown
LA12-DB	LA12 DECwriter Correspondent (deleted)	1	2
LA50-RA	LA50 Compact Printer (added)	1	2
LA50-RA	LA50 Compact Printer (deleted)	1	2
LA50-RC	LA50 Compact Printer (deleted)	1	2
LA50-RC	LA50 Compact Printer (added)	1	2
LA50X-FF	Basket, LA50 Paper (added)	1	Not Shown
LA50X-FF	Basket, LA50 Paper (added)	1A	Not Shown
LA75-AE	LA75 Dot Matrix Printer	1A	Not Shown
LA75-AE	LA75 Dot Matrix (added)	1	2
LA75-CA	LA75 Dot Matrix Printer	1A	Not Shown
LA75-CA	LA75 Dot Matrix Printer (added)	1	2
LJ25X-DS	Stand, LA75 Desk (added)	1A	Not Shown
N/A	HSC50 STORAGE CONTROLLER (Original Design)	1	N/A
N/A	HSC50 STORAGE CONTROLLER (Modified Design)	1A	N/A
PCXXF-CF	Stand, LA50 Desk (deleted)	1A	Not Shown
PCXXF-CF	Stand, LA50 Desk (added)	1	Not Shown
QX926-HG	Software, HSC50 w/TU58 Bin	1A	Not Shown
QX926-HG	Software, HSC50 w/TU58 Bin (added)	1	Not Shown
TU58-BB	TU58 DRIVE	19	2
TU58-K	Cartridge, TU58 Media (deleted)	1	Not Shown
VT220-A2	VT220 Video Terminal (deleted)	1	3
VT220-A2	VT220 Video Terminal (added)	1	3
VT220-A3	VT220 Video Terminal (deleted)	1	3
VT220-A3	VT220 Video Terminal (added)	1	3
VT220-D2	VT220 Video Terminal (added)	1	3
VT220-D3	VT220 Video Terminal (added)	1	3
VT22K-AA	Country Kit, "VT220 Keyboard" (USA/Canada)(added)	1	Not Shown
VT22K-AA	Country Kit, "VT220 Keyboard" (USA/Canada)	1A	Not Shown
VT22K-AE	Country Kit, "VT220 Keyboard" (UK) (deleted)	1	Not Shown
VT22K-AE	Country Kit, "VT220 Keyboard" (UK) (added)	1	Not Shown
VT22K-EE	Country Kit, "VT220 Keyboard" (UK & Ireland)	1	Not Shown
VT22K-EE	Country Kit, "VT220 Keyboard" (UK & Ireland)	1A	Not Shown
VT320-AE	VT320 Video Terminal	1A	Not Shown
VT320-GA	VT320 Video Terminal	1A	Not Shown
ZD300-CG	Firmware, HSC50 Disk/Tape Server (deleted)	1	Not Shown

INDEX BY DEC PART DESCRIPTION
HSC50 STORAGE CONTROLLER

DESCRIPTION	DEC PART NO.	FIG. NO.	ITEM NO.
Adaptor, Passive 9 Pin Dsub, Male to MMJ (added)	H8571-B	1	Not Shown
Bar, Front Nut	74-28326-01	5	4
Bar, Nut	70-27099-01	5	2
Bar, Rear Nut	74-28327-01	5	5
Basket, LA50 Paper (added)	LA50X-FF	1A	Not Shown
Basket, LA50 Paper (added)	LA50X-FF	1	Not Shown
BEZEL ASSEMBLY	70-20186-01	17A	2
BEZEL ASSEMBLY	70-20186-01	17	2
BEZEL ASSEMBLY (Original Design)	70-20186-01	19	N/A
Bezel Assembly, (10-1/2 Inch) (added)	70-23906-01	2	2
Bezel Assembly, (10-1/2 Inch)	70-23906-01	2A	2
Bezel Weldment Assembly	70-19638-01	19	1
Bezel, OCP	74-32304-01	20A	1
Bezel, OCP	74-27879-01	20	1
Bezel, Snap-On (10-1/2 Inch) (deleted)	74-15314-00	2	2
BEZEL/DOOR ASSEMBLY, FRONT	70-20185-01	4A	24
BEZEL/DOOR ASSEMBLY, FRONT	70-20185-01	4	24
Blower, Forward 200 CFM (120V)	12-18828-00	4A	37
Blower, Forward 200 CFM (120V)	12-18828-00	4	37
Bracket Assembly, Rear Vent Support	70-19674-01	2	10
Bracket Assembly, Rear Vent Support	70-19674-01	2A	10
Bracket, Backplane Mounting	74-27088-01	4A	25
Bracket, Backplane Mounting	74-27088-01	4	25
Bracket, End Panel Lock (LH)	74-27514-02	4A	19
Bracket, End Panel Lock (LH)	74-27514-02	4	19
Bracket, End Panel Lock (RH)	74-27514-01	4A	18
Bracket, End Panel Lock (RH)	74-27514-01	4	18
Bracket, Front Door Lock	74-31915-01	4A	16
Bracket, Front Door Lock	74-27087-01	4	16
Bracket, Front Door Pivot	74-27090-01	4	6
Bracket, Front Door Pivot	74-27090-01	4A	6
Bracket, Front Lower Shield	74-27093-01	4	17
Bracket, Front Lower Shield	74-31916-01	4A	17
Bracket, Optional Sealing	74-26883-01	12	4
Bracket, Rear Door Lock	74-27182-01	2A	16
Bracket, Rear Door Lock	74-27182-01	2	16
Bracket, Sealing	74-26884-01	7	4
Breaker, Circuit (50/15A 480V)	12-21532-01	9	17
Breaker, Circuit (Magnetic, Four Pole)	12-18138-01	10	12
Breaker, Circuit (Magnetic, Single Pole)	12-18139-00	10	10
BULKHEAD ASSEMBLY, I/O	70-23135-01	4A	39
BULKHEAD ASSEMBLY, I/O	70-20024-01	4	39
BULKHEAD ASSEMBLY, I/O (Modified Design)	70-23135-01	14A	N/A
BULKHEAD ASSEMBLY, I/O (Original Design) (deleted)	70-20024-01	14	N/A
Bulkhead, Blank (deleted)	74-27091-01	3	8
Bulkhead, Front	74-26570-01	6	2
Bulkhead, I/O	74-26899-01	14	1
Bulkhead, I/O Blank	74-26900-01	3	5
Bulkhead, I/O Bottom	74-38127-01	14A	2
Bulkhead, Top I/O	74-31828-02	4A	45
Bumper, Screw Mount Rubber	90-09168-00	2	14
Bumper, Screw Mount Rubber	90-09168-00	2A	14

INDEX BY DEC PART DESCRIPTION
HSC50 STORAGE CONTROLLER

DESCRIPTION	DEC PART NO.	FIG. NO.	ITEM NO.
Bushing, Nylon Snap	90-00021-07	16	12
Bushing, Snap-In Nylon	90-00021-07	16A	9
CABINET ASSEMBLY (1 P.S. 120V 60 Hz)	70-20030-01	3A	2
CABINET ASSEMBLY (1 P.S. 240V 50 Hz)	70-20030-02	3A	2
CABINET ASSEMBLY (1 P.S. 50 Hz)	70-20030-02	4A	N/A
CABINET ASSEMBLY (1 P.S. 60 Hz)	70-20030-01	4A	N/A
CABINET ASSEMBLY (120V 60 Hz)	70-20030-01	4	N/A
CABINET ASSEMBLY (2 P.S. 120V 60 Hz)	70-20030-03	3A	2
CABINET ASSEMBLY (2 P.S. 240V 50 Hz)	70-20030-04	3A	2
CABINET ASSEMBLY (2 P.S. 50 Hz) (MODIFIED DESIGN)	70-20030-04	4A	N/A
CABINET ASSEMBLY (2 P.S. 60 Hz)	70-20030-03	4A	N/A
CABINET ASSEMBLY (240V 50 Hz) (ORIGINAL DESIGN)	70-20030-02	4	N/A
CABINET/MODULE ASSEMBLY (1 P.S. 50 Hz)	70-20029-02	3A	1
CABINET/MODULE ASSEMBLY (1 P.S. 60 Hz)	70-20029-01	3A	1
CABINET/MODULE ASSEMBLY (120V 60 Hz)	70-20029-01	3	1
CABINET/MODULE ASSEMBLY (2 P.S. 50 Hz)	70-20029-04	3A	1
CABINET/MODULE ASSEMBLY (2 P.S. 60 Hz)	70-20029-03	3A	1
CABINET/MODULE ASSEMBLY (240V 50 Hz)	70-20029-02	3	1
CABINET/SHIELD ASSEMBLY (1 P.S. 50 Hz)	70-20028-02	3A	N/A
CABINET/SHIELD ASSEMBLY (1 P.S. 50 Hz)	70-20028-02	2A	1
CABINET/SHIELD ASSEMBLY (1 P.S. 60 Hz)	70-20028-01	2A	1
CABINET/SHIELD ASSEMBLY (1 P.S. 60 Hz)	70-20028-01	3A	N/A
CABINET/SHIELD ASSEMBLY (120V 60 Hz)	70-20028-01	3	N/A
CABINET/SHIELD ASSEMBLY (120V 60 Hz)	70-20028-01	2	1
CABINET/SHIELD ASSEMBLY (2 P.S. 50 Hz)	70-20028-04	2A	1
CABINET/SHIELD ASSEMBLY (2 P.S. 50 Hz)	70-20028-04	3A	N/A
CABINET/SHIELD ASSEMBLY (2 P.S. 60 Hz)	70-20028-03	3A	N/A
CABINET/SHIELD ASSEMBLY (2 P.S. 60 Hz)	70-20028-03	2A	1
CABINET/SHIELD ASSEMBLY (240V 50 Hz)	70-20028-02	2	1
CABINET/SHIELD ASSEMBLY (240V 50 Hz) (ORIGINAL DESIGN)	70-20028-02	3	N/A
Cable Assembly, (C1780)	70-18526-1A	14	5
Cable Assembly, 8.5 Ft (Not Shown)	70-08288-8F	2	24
Cable Assembly, 8.5 Ft (Not Shown)	70-08288-8F	2A	24
Cable Assembly, Air Flow Sensor P/S	70-20203-01	7	10
Cable Assembly, Airflow Sensor	70-20202-01	4	Not Shown
Cable Assembly, Async Null Modem 25 Ft	BC22D-25	1A	Not Shown
Cable Assembly, Async. Null Modem (added)	BC22D-25	1	Not Shown
Cable Assembly, Async. Null Modem (deleted)	BC22D-10	1	Not Shown
Cable Assembly, Backplane to Bulkhead SI (added)	70-00470-01	14	4
Cable Assembly, Backplane to Bulkhead SI (deleted)	70-19706-0M	14	4
Cable Assembly, Backplane to Optional P/S Interconnect	70-19682-01	4A	50
Cable Assembly, Backplane to Optional P/S Interconnect	70-19682-01	4	50
Cable Assembly, Backplane to P/S (+5V)	70-19685-02	4	Not Shown
Cable Assembly, Backplane to P/S (+5V)	70-19685-02	4A	Not Shown
Cable Assembly, Backplane to P/S (+5V)	70-19685-02	1A	Not Shown
Cable Assembly, Backplane to P/S (+5V)	70-19685-02	1	Not Shown
Cable Assembly, Backplane to P/S (-5V)	70-19684-01	4A	Not Shown
Cable Assembly, Backplane to P/S (-5V)	70-19684-01	4	Not Shown
Cable Assembly, Backplane to P/S Ground	70-19685-01	4A	Not Shown
Cable Assembly, Backplane to P/S Ground	70-19685-01	4	Not Shown
Cable Assembly, Backplane to P/S Ground	70-19685-01	1A	Not Shown
Cable Assembly, Backplane to P/S Ground	70-19685-01	1	Not Shown

INDEX BY DEC PART DESCRIPTION
HSC50 STORAGE CONTROLLER

DESCRIPTION	DEC PART NO.	FIG. NO.	ITEM NO.
Cable Assembly, Bezel/Chassis Bulkhead	70-19677-01	19	11
Cable Assembly, DC On/Off P/S	70-20197-01	7	11
Cable Assembly, DC On/Off Power Supply	70-20199-01	1	Not Shown
Cable Assembly, DC On/Off Power Supply	70-20199-01	1A	Not Shown
Cable Assembly, DC On/Off Switch	70-20196-01	6	6
Cable Assembly, L.E.D./TU58	70-20204-00	19	6
Cable Assembly, No. 1 Lamp Neutral	70-21042-01	9	Not Shown
Cable Assembly, No. 2 Lamp Neutral	70-21042-02	9	Not Shown
Cable Assembly, OCP to Rocker Switch	70-19705-01	19	8
Cable Assembly, Optional P/S DC On/Off	70-20198-01	12	7
Cable Assembly, Optional P/S Interconnect	70-19683-01	12	8
Cable Assembly, Power Bus Filter	70-20205-01	3	2
Cable Assembly, Rear Shield /CI	70-23140-02	4A	52
Cable Assembly, Relay to PC Airflow Sensor	70-20202-01	4	Not Shown
Cable Assembly, Shielded COAX	17-00958-01	14A	1
Cable Assembly, Standard P/S Interconnect	70-19681-01	7	9
Cable Assembly, Terminal Power	70-20522-01	6	5
Cable Assembly, w/Wrist Strap	12-24023-02	17A	8
Cable, Central Europe IEC32 (250V)	BN03A-2E	1A	Not Shown
Cable, Central Europe IEC32 (250V)	BN03A-2E	1	Not Shown
Cable, PC200-PC399 Printer (added)	BCC05-10	1	Not Shown
Cable, PC200-PC399 Printer (deleted)	BCC05-10	1	Not Shown
Cartridge, TU58 Media (deleted)	TU58-K	1	Not Shown
Channel, Strain Relief	74-26578-01	8	2
Channel, Strain Relief	74-26578-01	9	10
Chassis Assembly	74-26579-01	10	2
Chassis Assembly	74-26579-01	9	2
CHASSIS ASSEMBLY	70-20032-01	4A	2
CHASSIS ASSEMBLY	70-20032-01	4	2
Chassis Assembly	70-19253-01	6	1
CHASSIS ASSEMBLY	70-20032-01	6	N/A
Circuit Breaker/MOV BD Jumper Assembly	70-21037-01	9	Not Shown
Clamp, Cable (SI)	74-33488-01	2A	27
Clip, Retaining (Panel Mounting for L.E.D.)	12-20355-01	19	9
Connector, (P3) Socket Housing 3 Pin	12-12167-00	11A	2
Connector, (P3) Socket Housing 3 Pin	12-12167-00	11	2
Connector, Duplex Receptacle (125V 20A)	12-12265-00	10	28
Connector, Power Receptacle	12-11204-03	9	30
Contact, Magnetic	12-18334-02	9	27
Contact, Magnetic	12-18334-01	10	7
CONTROLLER ASSEMBLY, POWER (120V 60 Hz)	30-24374-01	4A	31
CONTROLLER ASSEMBLY, POWER (120V 60 Hz)	70-19122-00	4	31
CONTROLLER ASSEMBLY, POWER (120V 60 HZ) (Original Design) (Deleted)	70-19122-00	8	N/A
CONTROLLER ASSEMBLY, POWER (240V 50 Hz)	70-20613-00	4	31
CONTROLLER ASSEMBLY, POWER (240V 50 Hz)	30-24374-02	4A	31
CONTROLLER ASSEMBLY, POWER (240V 50 Hz) (Original Design) (deleted)	70-20613-01	9	N/A
CONTROLLER SUBASSEMBLY, POWER	70-20526-01	8	1
CONTROLLER SUBASSEMBLY, POWER (Original Design) (deleted)	70-20526-01	10	N/A
Cord Assembly, AC Line	17-01276-02	4A	36
Cord Assembly, AC Line	17-01276-03	4A	36
Cord Assembly, AC Line (added)	17-01276-01	7	13

INDEX BY DEC PART DESCRIPTION
HSC50 STORAGE CONTROLLER

DESCRIPTION	DEC PART NO.	FIG. NO.	ITEM NO.
Cord Assembly, AC Line (deleted)	70-19686-01	7	13
Cord Assembly, AC Line (deleted)	70-19686-02	7	13
Cord Assembly, Blower AC Line (120V 60 Hz)	70-20206-01	4	36
Cord Assembly, Blower AC Line (240V 50 Hz)	70-20206-02	4	36
Cord Assembly, Line (added)	70-19686-01	4	Not Shown
Cord Assembly, Line (added)	70-19686-02	4	Not Shown
Cord Assembly, Line (deleted)	17-01276-01	4A	Not Shown
Cord Assembly, Power	70-15254-00	9	9
Cord Assembly, Power Supply AC Line (120V) (deleted)	70-19686-01	12	10
Cord Assembly, Power Supply AC Line (240V) (deleted)	70-19686-02	12	10
Cord, Power (added)	17-00350-03	8	8
Cord, Power (deleted)	17-00350-02	8	8
Cord, Power Term. (250V 50 Hz) (added)	17-00083-06	1	Not Shown
Cord, Power Term. (250V 50 Hz) (deleted)	17-00083-06	1	Not Shown
Country Kit, "VT220 Keyboard" (UK & Ireland)	VT22K-EE	1	Not Shown
Country Kit, "VT220 Keyboard" (UK & Ireland)	VT22K-EE	1A	Not Shown
Country Kit, "VT220 Keyboard" (UK) (added)	VT22K-AE	1	Not Shown
Country Kit, "VT220 Keyboard" (UK) (deleted)	VT22K-AE	1	Not Shown
Country Kit, "VT220 Keyboard" (USA/Canada)	VT22K-AA	1A	Not Shown
Country Kit, "VT220 Keyboard" (USA/Canada) (added)	VT22K-AA	1	Not Shown
Cover	74-26576-01	9	36
Cover	74-26576-01	10	32
Cover, Backplane	74-28262-00	4	46
Cover, Backplane	74-28262-01	4A	46
Cover, Filter	74-26577-01	8	7
Cover, Filter	74-26577-00	9	35
Cover, Jumper Bar	74-29199-01	4	47
Cover, Jumper Bar	74-29199-01	4A	47
Cover, Plenum	74-26895-01	6	18
Cover, Power Supply Exhaust Duct	74-26894-01	6	17
Cover, Top	70-19675-01	2	21
Cover, Top	70-19675-01	2A	21
Cover, Wiring Duct	12-21394-01	4A	13
Cover, Wiring Duct	12-21394-01	4	13
DATA CHANNEL, DISK	HSC5X-BA	1	Not Shown
DATA CHANNEL, DISK (KSDI Interface Kit)	HSC5X-BA	1A	Not Shown
DATA CHANNEL, TAPE	HSC5X-CA	1A	Not Shown
DATA CHANNEL, TAPE	HSC5X-CA	1	Not Shown
Decal, "C.S.A."	36-13211-00	2	Not Shown
Decal, "CSA"	36-13211-00	4	Not Shown
Decal, "Ground"	36-12680-00	10	Not Shown
Decal, "U.L."	74-16197-02	2	Not Shown
Decal, "UL"	74-16197-02	4	Not Shown
Diode Assembly	70-17943-00	9	26
Diode Assembly	70-17943-00	10	11
Documentation, "HSC Installation Manual"	EK-HSCMN-IN	1A	Not Shown
Documentation, "HSC Installation Manual"	EK-HSCMN-IN	1	Not Shown
Door Assembly, Front	70-19672-01	18A	1
DOOR ASSEMBLY, FRONT	70-20027-01	17	1
DOOR ASSEMBLY, FRONT	70-20027-01	17A	1
Door Assembly, Front	70-19672-01	18	1
DOOR ASSEMBLY, FRONT (Modified Design)	70-20027-01	18A	N/A
Door Assembly, Rear	70-22489-01	16A	1
DOOR ASSEMBLY, REAR	70-20026-01	2	19

INDEX BY DEC PART DESCRIPTION
HSC50 STORAGE CONTROLLER

DESCRIPTION	DEC PART NO.	FIG. NO.	ITEM NO.
DOOR ASSEMBLY, REAR	70-23125-01	2A	19
DOOR ASSEMBLY, REAR (Original Design) (deleted)	70-20026-01	16	N/A
DOOR ASSEMBLY, REAR (Modified Design)	70-23125-01	16A	N/A
Door Subassembly, Rear	70-19671-01	16	1
DOOR/BEZEL ASSEMBLY, FRONT (Modified Design)	70-20185-01	17A	N/A
DOOR/BEZEL ASSEMBLY, FRONT (Original Design)	70-20185-01	17	N/A
DUCT ASSEMBLY, OUTLET	70-23219-01	4A	38
DUCT ASSEMBLY, OUTLET	70-20191-01	4	38
DUCT ASSEMBLY, OUTLET (LH) (added)	70-20191-02	13	N/A
DUCT ASSEMBLY, OUTLET (LH) (deleted)	70-20191-02	13	N/A
DUCT ASSEMBLY, OUTLET (MODIFIED DESIGN)	70-23219-01	13A	N/A
DUCT ASSEMBLY, OUTLET (RH) (ORIGINAL DESIGN) (deleted)	70-20191-01	13	N/A
Duct Subassembly, Outlet	70-19700-01	13	1
Duct Subassembly, Outlet (added to -02 variation only)	70-19700-02	13	1
Duct Subassembly, Outlet(deleted from -02 variation only)	70-19700-02	13	1
Duct Weldment Assembly, Outlet	70-23220-01	13A	1
Duct, Wiring	12-21394-02	4	11
Duct, Wiring	12-21394-02	4A	11
Fastener, 1/4 Turn	12-14390-04	16	Not Shown
Fastener, 1/4 Turn	12-14390-04	13A	6
Fastener, Allen Head	12-12972-06	16A	4
Fastener, Allen Head	12-12972-06	16	17
Filter Assembly, Line (120/250V 49-61 Hz) (added)	12-13287-02	9	18
Filter Assembly, Line (120/250V 49-61 Hz) (deleted)	12-13287-01	9	18
Filter Assembly, Line (120V/250V, 49-61 Hz) (added)	12-13287-00	10	3
Filter Assembly, Line (120V/250V, 49-61 Hz) (deleted)	12-13287-01	10	3
Filter, Air Foam	12-13121-22	18A	4
Filter, Foam (Front Door)	74-27798-04	18	4
Firmware, HSC50 Disk/Tape Server (deleted)	ZD300-CG	1	Not Shown
Foam, Acoustic	74-27801-05	13A	2
Foam, Acoustic (Outlet Duct)	74-27801-04	13	5
Foam, Filter (Rear Door, P/S/Blower) (deleted)	74-27798-02	16	8
Foam, Tape	90-08274-00	7	3
Foam, Tape 3/8 Inch x 3/8 (Black)	90-08274-00	6	12
Foot, Leveler (No. 1/2-13)	90-07601-01	2A	5
Foot, Leveler No. 1/2-13	90-07601-01	2	5
Form Assembly, Roll	70-19075-01	15	2
Frame Assembly	70-20193-01	5	1
FRAME ASSEMBLY	70-20031-01	4A	1
FRAME ASSEMBLY	70-20031-01	5	N/A
FRAME ASSEMBLY	70-20031-01	4	1
Frame Assembly, Extender	70-20188-01	4	30
Frame Assembly, Extender	70-20188-01	4A	30
FRONT DOOR ASSEMBLY (Original Design)	70-20027-01	18	N/A
Fuse, Slo Blo (.125A, 125V/250V)	90-08527-00	9	12
Fuse, Slo Blo (.125A/250V)	90-08527-00	10	18
Fuse, Slo Blo 1/8A (250V)	12-19283-17	4A	31
Fuse, Slo Blo 1/8A (250V)	12-19283-17	4	31
Fuse, Slo Blo 3/8A (250V)	90-07207-00	4	31
Fuse, Slo Blo 3/8A (250V)	90-07207-00	4A	31
Gasket, Rear Door	74-33501-01	2A	3
Gasket, Rear Door, Lower	74-33501-02	2A	4
Grommet, Retainer	12-12972-03	16	15

INDEX BY DEC PART DESCRIPTION
HSC50 STORAGE CONTROLLER

DESCRIPTION	DEC PART NO.	FIG. NO.	ITEM NO.
Grommet, Retainer	12-12972-03	16A	3
Guide, Card	12-17010-05	6	9
Guide, Card	12-17010-06	6	10
Guide, Nylon Card	12-20972-01	19	14
Harness Assembly, Backplane to P/S Intrcnt.	70-19679-01	4A	Not Shown
Harness Assembly, Backplane to P/S Intrcnt.	70-19679-01	4	Not Shown
Harness Assembly, Backplane/Chassis Bulkhead	70-19676-01	6	7
Harness Assembly, Breaker to Contactor Power	70-21155-01	9	Not Shown
Harness Assembly, Contactor Coil	70-21044-01	9	Not Shown
Harness Assembly, Contractor Coil	70-17950-00	10	20
Harness Assembly, Control	70-19140-00	10	21
Harness Assembly, Control	70-21041-01	9	8
Harness Assembly, Filter to Breaker Power	70-21053-01	9	24
Harness Assembly, Fuse	70-21043-01	9	25
Harness Assembly, Lamp	70-21050-01	9	Not Shown
Harness Assembly, Power	70-19139-00	10	9
Harness Assembly, Receptacle Power	70-21154-01	9	32
Harness Assembly, Standard P/S Interconnect	70-19680-01	7	8
Harness Assembly, Wire	17-01275-01	4A	Not Shown
Harness Assembly, Wire	17-01231-01	4A	Not Shown
Hinge Assembly, Rear Door Bracket	70-19250-01	4	45
Holder, Neon Lamp	12-19294-02	9	13
Holder, Neon Lamp	12-19294-00	10	24
Holder, Panel Mount Fuse (20A 300V)	12-12893-00	9	11
Holder, Panel Mount Fuse (20A 300V)	12-12893-00	10	17
HSC50 STORAGE CONTROLLER (Modified Design)	N/A	1A	N/A
HSC50 STORAGE CONTROLLER (Original Design)	N/A	1	N/A
Inlet Assembly, Blower	70-19251-01	4	41
Inlet Assembly, Blower	70-19251-01	4A	41
Jumper Assembly, Ground	70-21040-01	9	19
Jumper Assembly, Ground (added)	70-21040-02	9	19
Jumper Assembly, MOV BD (Black)	70-21039-02	9	Not Shown
Jumper Assembly, MOV BD (Red)	70-21039-01	9	Not Shown
Jumper Assembly, MOV BD (Violet)	70-21039-03	9	Not Shown
Jumper Assembly, Neutral	70-21038-01	9	33
Jumper Bar, Power Supply (12V) (deleted)	74-27878-01	7	7
Jumper, Black MOV Board	70-17948-01	10	Not Shown
Jumper, Black PL	70-19141-00	10	Not Shown
Jumper, Circuit Breaker (deleted)	70-17949-00	10	22
Jumper, Ground	70-17946-00	10	4
Jumper, Neutral No. (deleted)	70-17964-00	10	34
Jumper, Neutral No. 2	70-17965-00	10	35
Jumper, Red MOV Board	70-17948-00	10	Not Shown
Jumper, Red PL	70-19142-00	10	Not Shown
Jumper, Violet MOV Board	70-17948-02	10	Not Shown
Knob, Pointer	12-10114-00	9	7
Knob, Pointer	12-10114-00	10	31
L.E.D., 2MCD @ 10 mA	11-10864-00	19	10
LA12 DECwriter Correspondent (deleted)	LA12-DB	1	2
LA50 Compact Printer (added)	LA50-RC	1	2
LA50 Compact Printer (added)	LA50-RA	1	2
LA50 Compact Printer (deleted)	LA50-RC	1	2
LA50 Compact Printer (deleted)	LA50-RA	1	2

INDEX BY DEC PART DESCRIPTION
HSC50 STORAGE CONTROLLER

DESCRIPTION	DEC PART NO.	FIG. NO.	ITEM NO.
LA75 Dot Matrix (added)	LA75-AE	1	2
LA75 Dot Matrix Printer	LA75-CA	1A	Not Shown
LA75 Dot Matrix Printer	LA75-AE	1A	Not Shown
LA75 Dot Matrix Printer (added)	LA75-CA	1	2
Label, "Bar Code"	36-21711-15	12	Not Shown
Label, "Bar Code" (added)	36-21711-15	7	Not Shown
Label, "Blank" (added)	36-21711-15	4A	Not Shown
Label, "Card Cage Module Placement"	36-21684-01	4A	Not Shown
Label, "Card Cage Module Placement" (deleted)	36-21684-01	3A	5
Label, "Card Cage Plenum"	36-21758-01	4A	Not Shown
Label, "Card Cage"	36-21758-01	1A	Not Shown
Label, "Card Cage"	36-21758-01	1	Not Shown
Label, "Card Cage"	36-21758-01	1A	Not Shown
Label, "Card Cage"	36-21758-01	1	Not Shown
Label, "Caution"	36-17614-00	8	Not Shown
Label, "Danger, High Voltage"	36-10267-00	8	Not Shown
Label, "Danger, High Voltage"	36-10267-00	9	Not Shown
Label, "DC On/Off Switch"	36-25418-01	4A	Not Shown
Label, "Door Insert"	36-20763-01	20	4
Label, "Door Insert"	36-20763-01	20A	4
Label, "F.C.C." (deleted)	36-18307-05	2	Not Shown
Label, "F.C.C., Class A, Peripheral"	36-17880-03	2A	Not Shown
Label, "F.C.C., Class A, Peripheral"	36-17880-03	2	Not Shown
Label, "FCC, Class A, Peripheral"	36-17880-03	4	Not Shown
Label, "FCC, Class A, Peripheral" (deleted)	36-17880-03	4A	Not Shown
Label, "HSC50 Card Cage" (deleted)	36-21758-01	3A	6
Label, "HSC50 Rear Door I/O"	36-21686-01	3A	15
Label, "HSC50"	36-20764-01	19	17
Label, "HSC50"	36-21585-01	17	Not Shown
Label, "HSC50"	36-21682-01	4A	Not Shown
Label, "HSC50"	36-21682-01	4	Not Shown
Label, "HSC50, Rear Door, I/O"	36-21686-01	16	Not Shown
Label, "Power Supply"	90-09255-01	17	Not Shown
Label, "Power Supply"	90-09255-01	12	Not Shown
Label, "Power Supply"	90-09255-01	9	Not Shown
Label, "Power Supply" (deleted)	90-09255-00	10	Not Shown
Label, "Power Supply" (deleted)	90-09255-01	7	Not Shown
Label, "Serial/Power Universal" (deleted)	36-17674-38	4A	Not Shown
Label, "Serial/Power w/o UL and CSA"	36-17674-00	4	Not Shown
Label, "Serial/Power w/o UL and CSA"	36-17674-00	2	Not Shown
Label, "Serial/Power w/UL and CSA"	36-17674-01	2	Not Shown
Label, "Serial/Power w/UL and CSA" (added)	36-17674-01	4	Not Shown
Label, "Serial/Power, Universal"	36-17674-38	2	Not Shown
Label, "Serial/Power, Universal"	36-17674-38	2A	Not Shown
Label, "Warning, Air Inlet"	36-21683-01	4	Not Shown
Label, "Warning, Air Inlet"	36-21686-01	4A	Not Shown
Label, "Warning, Hazard High Temperature" (added)	36-13307-00	4	Not Shown
Label, "Warning, Hazard High Temperature" (deleted)	36-13307-00	4	Not Shown
Label, "Warning, Hazard"	36-21687-01	4	Not Shown
Label, "Warning, Hazard"	36-21687-01	4A	Not Shown
Label, Ground	36-13272-00	15	Not Shown
Lamp, Neon w/Resistor	12-19281-00	10	25
Lamp, Neon w/Resistor	12-19281-00	9	14
Latch, Flush Lift-N-Turn w/Lock	12-25411-01	18A	5

INDEX BY DEC PART DESCRIPTION
HSC50 STORAGE CONTROLLER

DESCRIPTION	DEC PART NO.	FIG. NO.	ITEM NO.
Latch, Hook-End Draw	12-19380-01	13	3
Latch, Hook-End Draw	12-19380-01	13A	3
Lens, Lamp Holder	12-19295-01	9	15
Lens, Lamp Holder	12-19295-01	10	26
Lock and Cam Assembly	12-14664-00	18	7
MECHANICAL ASSEMBLY, HSC50 TOP	70-20025-01	2	N/A
MECHANICAL ASSEMBLY, HSC50 TOP	70-20025-02	1A	1
MECHANICAL ASSEMBLY, HSC50 TOP	70-20025-01	1A	1
MECHANICAL ASSEMBLY, HSC50 TOP (1 P.S.)	70-20025-01	2A	N/A
MECHANICAL ASSEMBLY, HSC50 TOP (1 P.S.)	70-20025-02	2A	N/A
MECHANICAL ASSEMBLY, HSC50 TOP (120V 60 Hz)	70-20025-01	1	1
MECHANICAL ASSEMBLY, HSC50 TOP (2 P.S.)	70-20025-03	2A	N/A
MECHANICAL ASSEMBLY, HSC50 TOP (2 P.S.) (MODIFIED DESIGN)	70-20025-04	2A	N/A
MECHANICAL ASSEMBLY, HSC50 TOP (240V 50 Hz)	70-20025-02	1	1
MECHANICAL ASSEMBLY, HSC50 TOP (ORIGINAL DESIGN)	70-20025-02	2	N/A
Model HSC50-AA (120V 60 Hz)	HSC50-AA	1	N/A
Model HSC50-AA (120V 60 Hz)	HSC50-AA	1A	N/A
Model HSC50-AB (240V 50 Hz)	HSC50-AB	1A	N/A
Model HSC50-AB (240V 50 Hz)	HSC50-AA	1	N/A
Module, 873 MOV	54-14664-00	10	23
Module, 873 MOV	54-14664-01	9	29
Module, AC Control (873)	54-14648-00	9	5
Module, AC Control (873)	54-14648-00	10	16
Module, Blank	74-28263-01	1A	Not Shown
Module, Blank	74-28263-01	1	Not Shown
Module, Blank (Not Shown)	74-28263-01	3A	3
Module, HSC50 Backplane	54-14048-00	4A	27
Module, HSC50 Backplane	54-14048-00	4	27
Module, I/O Feedthrough	54-15398-00	14	2
Module, ILI (CI Link Interface)	L0100-00	1A	Not Shown
Module, Interprocessor Link Interface	L0100-00	1	Not Shown
Module, K.PLI	L0107-YA	1	Not Shown
Module, K.PLI (PLI Port Control)	L0107-YA	1A	Not Shown
Module, KSDI (Connects to 4 Disks)	L0108-YA	1	Not Shown
Module, KSDI (Connects to 4 SDI Disk Drives)	L0108-YA	1A	Not Shown
Module, KSTI (Connects to 4 Tape Formatters)	L0108-YB	1	Not Shown
Module, KSTI (Connects to 4 Tape Formatters)	L0108-YB	1A	Not Shown
Module, M.STD	L0106-AA	1	Not Shown
Module, M.STD (128K Data)	L0106-AA	1A	Not Shown
Module, Operator Control Panel	54-15286-01	20A	2
Module, Operator Control Panel	54-15286-01	20	2
Module, P.IOC	L0105-00	1	Not Shown
Module, P.IOC (F11 Proc & I/O Control)	L0105-00	1A	Not Shown
Module, PILA	L0109-00	1	Not Shown
Module, PILA (Packet Buffer Board)	L0109-00	1A	Not Shown
Mount, Adhesive Backed Cable Tie	90-08264-00	4A	42
Mount, Adhesive Backed Cable Tie	90-08264-00	4	42
Nut, Hex Ext. Tooth Lockwasher No. 6-32 (added)	70-20198-02	12	12
Nut, Hex Ext. Tooth Lock No. 1/4-20 (added)	90-08203-00	4A	54
Nut, Hex Ext. Tooth Lock No. 5/16-18 x 1/2	90-06568-00	4A	55
Nut, Hex No. 1/2-13	90-06596-00	2A	6
Nut, Hex No. 1/2-13	90-06596-00	2	6

INDEX BY DEC PART DESCRIPTION
HSC50 STORAGE CONTROLLER

DESCRIPTION	DEC PART NO.	FIG. NO.	ITEM NO.
Nut, Hex Tooth Ext. Lockwasher No. 10-32	90-06565-00	2A	25
Nut, Kep Ext. Tooth Hex No. 8-32 x 11/32	90-06563-00	10	8
Nut, Kep No. 10-32	90-06565-00	9	20
Nut, Kep No. 10-32	90-06565-00	1	Not Shown
Nut, Kep No. 10-32	90-06565-00	1A	Not Shown
Nut, Kep No. 10-32	90-06565-00	2	4
Nut, Kep No. 10-32 x 3/8	90-06565-00	19	13
Nut, Kep No. 10-32 x 3/8	90-06565-00	10	6
Nut, Kep No. 10-32 x 3/8	90-06565-00	4	44
Nut, Kep No. 10-32 x 3/8	90-06565-00	4A	44
Nut, Kep No. 6-32	90-06560-00	10	29
Nut, Kep No. 6-32	90-06560-00	9	31
Nut, Kep No. 6-32	90-06560-00	12	11
Nut, Kep No. 6-32 x 5/16	90-06560-00	7	14
Nut, Kep No. 6-32 x 5/16	90-06560-00	17	7
Nut, Kep No. 6-32 x 5/16	90-06560-00	17A	7
Nut, Kep No. 6-32 x 5/16	90-06560-00	4	49
Nut, Kep No. 6-32 x 5/16	90-06560-00	4A	49
Nut, Kep No. 8-21 x 11/32	90-06563-00	17	4
Nut, Kep No. 8-21 X 11/32	90-06563-00	17A	4
Nut, Kep No. 8-32	90-06563-00	17A	9
Nut, Kep No. 8-32	90-06563-00	9	28
Nut, Kep No. 8-32 x 11/32	90-06563-00	2A	23
Nut, Kep No. 8-32 x 11/32	90-06563-00	2	23
Nut, Weld No. 1/2-13	90-08878-00	2A	9
Nut, Weld No. 1/2-13	90-08878-00	2	9
OCP ASSEMBLY	70-20524-01	17	5
OCP ASSEMBLY (Modified Design)	70-23138-01	20A	N/A
OCP ASSEMBLY (ORIGINAL DESIGN) (deleted)	70-20524-01	20	N/A
OCP/BEZEL ASSEMBLY	70-23138-01	17A	5
Outlet, Twist Lock Receptacle (30A)(deleted)	12-12315-00	10	27
Panel Assembly, End	70-19082-01	15	1
PANEL ASSEMBLY, END (40 Inch)	70-19083-01	15	N/A
PANEL ASSEMBLY, END (40 Inch)	70-19083-01	2A	20
PANEL ASSEMBLY, END (40 Inch)	70-19083-01	2	20
Panel Assembly, Front	70-19975-01	9	1
Panel Assembly, Front	70-19125-00	10	1
Panel, Rear	74-27729-01	9	34
Panel, Rear	74-26604-01	10	36
Pin, Door	74-26709-01	16A	14
Pin, Door Hinge	74-26147-00	18A	7
Pin, Door Hinge	74-26147-00	18	10
Pin, Door Hinge	74-26147-00	16A	12
Pin, Door Hinge	74-26147-00	16	9
Pin, Pilot (deleted)	74-15711-02	2	3
Pin, Pivot	74-22619-00	16	13
Plate, Baffle	74-26885-01	6	14
Plate, Bezel Cover	70-19255-01	19	15
Plate, Blank Front	74-26567-01	4A	23
Plate, Blank Front	74-26567-01	4	23
Plate, Card Cage Cover	74-26888-01	4A	33
Plate, Card Cage Cover (deleted)	36-21684-01	3A	4
Plate, Cover	74-27804-01	4A	21

INDEX BY DEC PART DESCRIPTION
HSC50 STORAGE CONTROLLER

DESCRIPTION	DEC PART NO.	FIG. NO.	ITEM NO.
Plate, Cover	74-27804-01	4	21
Plate, Rear	74-26891-01	6	11
Plug, Snap-In (added)	90-10648-02	2	25
Plug, Snap-In (Nylon)	90-10648-02	2A	28
Plug, Snap-In Hole	90-10648-02	16A	15
Plug, Snap-In Hole (added)	90-10648-02	16	18
POWER SUPPLY ASSEMBLY, OPTIONAL	70-20184-02	1A	Not Shown
POWER SUPPLY ASSEMBLY, OPTIONAL	70-20184-01	1	Not Shown
POWER SUPPLY ASSEMBLY, OPTIONAL	70-20184-01	1A	Not Shown
POWER SUPPLY ASSEMBLY, OPTIONAL	70-20184-02	1	Not Shown
POWER SUPPLY ASSEMBLY, OPTIONAL (120V)	70-20184-01	12	N/A
POWER SUPPLY ASSEMBLY, OPTIONAL (240V)	70-20184-02	12	N/A
POWER SUPPLY ASSEMBLY, STANDARD (120V 60 Hz)	70-20033-03	4	22
POWER SUPPLY ASSEMBLY, STANDARD (120V 60 Hz) (added)	70-20033-03	7	N/A
POWER SUPPLY ASSEMBLY, STANDARD (120V 60 Hz) (deleted)	70-20033-01	7	N/A
POWER SUPPLY ASSEMBLY, STANDARD (240V 50 Hz) (added)	70-20033-04	7	N/A
POWER SUPPLY ASSEMBLY, STANDARD (240V 50 Hz) (deleted)	70-20033-02	7	N/A
POWER SUPPLY ASSEMBLY, STANDARD (240V 60 Hz)	70-20033-04	4	22
POWER SUPPLY ASSEMBLY, STANDARD (50 Hz)	70-20033-04	4A	22
POWER SUPPLY ASSEMBLY, STANDARD (60 Hz)	70-20033-03	4A	22
POWER SUPPLY KIT, OPTIONAL (120V 60 Hz)	HSC5X-EA	1	Not Shown
POWER SUPPLY KIT, OPTIONAL (120V 60 Hz)	HSC5X-EA	1A	Not Shown
POWER SUPPLY KIT, OPTIONAL (240V 50 Hz)	HSC5X-EB	1	Not Shown
POWER SUPPLY KIT, OPTIONAL (240V 50 Hz)	HSC5X-EB	1A	Not Shown
Regulator, P/S Switching (120V 60 Hz)	30-20198-01	12	2
Regulator, P/S Switching (24V 50 Hz)	30-20198-02	12	2
Regulator, Switching (120V 60 Hz)	30-20199-01	7	2
Regulator, Switching (240V 50 Hz)	30-20199-02	7	2
Relay, Power Coil (12V 10A)	12-20996-01	4A	32
Relay, Power Coil 12V 10A	12-20996-01	4	32
Ring, Retaining	90-09273-02	18	9
Ring, Retaining	90-09273-01	16A	10
Ring, Retaining	90-09644-01	16	14
Ring, Retaining	90-09644-01	16	16
Ring, Retaining	90-08500-00	16A	5
Ring, Retaining	90-09273-02	16	11
Ring, Retaining	90-09644-01	16A	13
Ring, Retaining	90-09273-02	18A	9
Rivet, Blind	12-19042-00	15	3
Rivet, Blind Dome	90-00030-09	6	13
Screw, Mach Phl Pan Hd No. 8-32 x 3/8 (deleted)	90-06037-01	9	3
Screw, Phl Pan Flat Hd No. 8-32 x 1/4	90-00039-01	9	22
Screw, Phl Pan Hd No. 10-32 x 3/8 (deleted)	90-06071-01	8	5
Screw, Phl Pan Hd No. 6-32 x 3/8	90-06022-01	2	15
Screw, Phl Pan Hd No. 6-32 x 3/8	90-06022-01	2A	15
Screw, Phl Pan Hd No. 8-32 x 1/4	90-00039-01	10	33
Screw, Phl Pan Hd No. 8-32 x 3/8	90-06037-01	2A	22
Screw, Phl Pan Hd No. 8-32 x 3/8	90-06037-01	2	22
Screw, Phl Pan Hd No. 8-32 x 3/8 (deleted)	90-06037-01	8	3
Screw, Sems Hex Slot Hd No. 10-16 x 1/2	90-00049-73	2A	26

INDEX BY DEC PART DESCRIPTION
HSC50 STORAGE CONTROLLER

DESCRIPTION	DEC PART NO.	FIG. NO.	ITEM NO.
Screw, Sems Hex Slot Hd No. 10-16 x 1/2 (added)	90-00049-73	2	3
Screw, Sems Phl Pan Hd No. 10-32 x 11/32	12-21368-03	6	3
Screw, Sems Phl Pan Hd No. 10-32 x 11/32	12-21368-02	3A	14
Screw, Sems Phl Pan Hd No. 10-32 x 11/32	12-21368-03	2A	18
Screw, Sems Phl Pan Hd No. 10-32 x 11/32	12-21368-03	2	18
Screw, Sems Phl Pan Hd No. 10-32 x 11/32	12-21368-03	3	7
Screw, Sems Phl Pan Hd No. 10-32 x 11/32 (added)	12-21368-03	8	6A
Screw, Sems Phl Pan Hd No. 10-32 x 3/4	12-21368-03	4	26
Screw, Sems Phl Pan Hd No. 10-32 x 3/4	12-21368-03	4A	26
Screw, Sems Phl Pan Hd No. 10-32 x 5/8	12-21368-02	4	7
Screw, Sems Phl Pan Hd No. 10-32 x 5/8	12-21368-02	4A	7
Screw, Sems Phl Pan Hd No. 10-32 x 5/8	12-21368-03	3A	10
Screw, Sems Phl Pan Hd No. 10-32 x 5/8	12-21368-02	3	12
Screw, Sems Phl Pan Hd No. 10-32 x 5/8 (added)	12-21368-02	5	6
Screw, Sems Phl Pan Hd No. 10-32 x 9/32	12-21368-04	5	3
Screw, Sems Phl Pan Hd No. 4-40 x 3/8	90-09984-05	3	4
Screw, Sems Phl Pan Hd No. 6-32 x 1-1/8	12-21368-01	4	28
Screw, Sems Phl Pan Hd No. 6-32 x 1-1/8	12-21368-01	4A	28
Screw, Sems Phl Pan Hd No. 6-32 x 1/2	90-09984-03	14	3
Screw, Sems Phl Pan Hd No. 6-32 x 3/8	90-09984-00	20	3
Screw, Sems Phl Pan Hd No. 6-32 x 3/8	90-09984-00	19	16
Screw, Sems Phl Pan Hd No. 6-32 x 3/8	90-09984-00	20A	3
Screw, Sems Phl Pan Hd No. 6-32 x 3/8	90-09984-00	12	5
Screw, Sems Phl Pan Hd No. 6-32 x 3/8	90-09984-00	13A	4
Screw, Sems Phl Pan Hd No. 6-32 x 3/8	70-20030-00	9	16A
Screw, Sems Phl Pan Hd No. 6-32 x 3/8	90-09984-00	9	6
Screw, Sems Phl Pan Hd No. 6-32 x 3/8	90-09984-00	13	4
Screw, Sems Phl Pan Hd No. 6-32 x 3/8	90-09984-00	10	13
Screw, Sems Phl Pan Hd No. 6-32 x 3/8	90-09984-00	14A	3
Screw, Sems Phl Pan Hd No. 6-32 x 3/8	90-09984-00	7	5
Screw, Sems Phl Pan Hd No. 6-32 x 3/8	90-09984-00	4	12
Screw, Sems Phl Pan Hd No. 6-32 x 3/8	90-09984-00	4A	12
Screw, Sems Phl Pan Hd No. 6-32 x 3/8	90-09984-00	6	15
Screw, Sems Phl Pan Hd No. 6-32 x 3/8 (added)	90-09984-07	10	14
Screw, Sems Phl Pan Hd No. 632 x 3/8	90-09984-00	3	6
Screw, Sems Phl Pan Hd No. 8-32 x 3/8 (added)	90-09984-08	9	4A
Screw, Sems Phl Pan Hd no. 8-32 x 3/8 (added)	90-09984-00	8	3
Screw, Sems Phl Pan Hd No. 8-32 x 3/8 (added)	90-09984-08	10	15
Screw, Sems Phl Pan Hd No. 8-32 x 5/16	90-09984-06	12	6
Screw, sems Phl Pan Hd No. 8-32 x 5/6	90-09984-06	7	6
Screw, Sems Phl Truss Hd No. 10-32 x 1/2	90-09700-00	4	10
Screw, Sems Phl Truss Hd No. 10-32 x 1/2	90-09700-00	4A	10
Screw, Sems Phl Truss Hd No. 10-32 x 1/2	90-09700-00	1	Not Shown
Screw, Sems Phl Truss Hd No. 10-32 x 1/2	90-09700-00	2	11
Screw, Sems Phl Truss Hd No. 10-32 x 1/2	90-09700-00	2A	11
Screw, Sems Phl Truss Hd No. 10-32 x 1/2	90-09700-00	1A	Not Shown
Screw, Sems Plain Slot No. 10-32 x 3/8	90-00049-38	15	5
Screw, Sems Slotted Hex Hd No. 1/4-20 x 3/4	90-09988-14	4A	20
Screw, Sems Slotted Hex Hd No. 1/4-20 x 3/4	90-09988-14	4	20
Screw, Shoulder	74-24084-00	19	5
Screwlock Assembly, Female No. 4-40	12-15243-00	6	8
Screwlock Assembly, No. 4-40 (Female)	12-15243-00	4	40
Sensor Assembly, Air Flow (deleted from -01 variation only)	12-23201-01	13	2

INDEX BY DEC PART DESCRIPTION

HSC50 STORAGE CONTROLLER

DESCRIPTION	DEC PART NO.	FIG. NO.	ITEM NO.
Shield, Bottom Rear	74-27109-01	3	3
Shield, EMI/RFI (13 Fingers)	12-20580-20	16	5
Shield, EMI/RFI (18 Fingers)	12-20580-21	16A	7
Shield, EMI/RFI (18 Fingers)	12-20580-21	16	4
Shield, EMI/RFI (34 Fingers)	12-20580-13	16A	8
Shield, EMI/RFI (34 Fingers)	12-20580-13	16	3
Shield, EMI/RFI (34 Position)	12-20580-13	3A	13
Shield, EMI/RFI (43 Position)	12-20580-14	3A	11
Shield, EMI/RFI (45 Fingers)	12-20580-15	16A	2
Shield, EMI/RFI (45 Fingers)	12-20589-15	18	6
Shield, EMI/RFI (45 Fingers)	12-20580-15	16	2
Shield, EMI/RFI (48 Fingers)	12-20580-16	18	5
Shield, EMI/RFI (68 Position)	12-20580-19	3A	12
Shield, Front (LH)	74-31953-01	4A	15
Shield, Front (LH)	74-27787-01	4	15
Shield, Front (RH)	74-29606-01	4A	3
Shield, Front (RH)	74-29606-01	4	3
Shield, RFI	12-16007-06	3A	7
Shield, RFI	12-16007-06	3	9
Shield, RFI/EMI (43 Fingers)	12-20580-14	4	33
Shield, RFI/EMI (45 Fingers)	12-20580-15	4A	34
Shield, RFI/EMI (45 Fingers)	12-20580-15	4	34
Shield, RFI/EMI (57 Fingers)	12-20580-17	4A	5
Shield, RFI/EMI (57 Fingers)	12-20580-17	4	5
Shield, RFI/EMI (68 Contacts)	12-16007-06	4A	35
Shield, RFI/EMI (68 Fingers)	12-20580-19	4	14
Shield, RFI/EMI (75 Contacts)	12-16007-05	4	35
Shield, RFI/EMI (8 Fingers)	12-20580-08	4	4
Shield, RFI/EMI (8 Fingers)	12-20580-08	4A	4
Shield, Side	74-27098-01	3A	8
Shield, Side	74-27098-01	3	10
Shield, Spring	74-26725-01	16A	6
Shield, Top Cover	74-27100-01	3A	9
Shield, Top Cover	74-27100-01	3	11
Software, HSC50 w/TU58 Bin	QX926-HG	1A	Not Shown
Software, HSC50 w/TU58 Bin (added)	QX926-HG	1	Not Shown
Spring, 1/4 Turn Receptacle Fastener	12-12972-02	2	17
Spring, 1/4 Turn Receptacle Fastener	12-12972-02	2A	17
Spring, Compression	12-17653-00	19	4
Spring, Hinge (Compression)	12-16225-01	18	8
Spring, Hinge (Compression)	12-16225-01	18A	8
Spring, Hinge (Compression)	12-16225-01	16	10
Spring, Hinge Compression	12-16225-01	16A	11
Spring, Shield	74-26725-01	4A	40
Stand, LA50 Desk (added)	PCXXF-CF	1	Not Shown
Stand, LA50 Desk (deleted)	PCXXF-CF	1A	Not Shown
Stand, LA75 Desk (added)	LJ25X-DS	1A	Not Shown
Standoff, Male/Female No. 6-32	12-19713-01	2	13
Standoff, Male/Female No. 6-32	12-19713-01	2A	13
STOP ASSEMBLY, DOOR	70-19088-01	2	12
STOP ASSEMBLY, DOOR	70-19088-01	2A	12
Stop, Front Door (added)	70-22480-01	4A	51
Stop, Front Door (added)	70-22480-01	4	51
Strap, Ground	12-13756-20	15	4

INDEX BY DEC PART DESCRIPTION
HSC50 STORAGE CONTROLLER

DESCRIPTION	DEC PART NO.	FIG. NO.	ITEM NO.
Strap, Ground	12-13756-12	4A	9
Strap, Ground	12-13756-12	4	9
Strap, Ground	12-13756-28	4A	29
Strap, Ground	12-13756-28	4	29
Switch Assembly, Air Flow Sensor	12-26092-01	13A	5
Switch Assembly, Air Flow Sensor (added) (added to -01 variation only)	12-26092-01	13	2
Switch Rocker (DPST) (.5A /28V)	12-21017-01	6	4
Switch, Rocker (2PST) (.5A)	12-21017-01	19	7
Tape, Adhesive	12-12431-09	18A	3
Tape, Adhesive Front Door	74-27794-05	18A	6
Tape, Foam	90-08274-00	12	3
Tape, Velcro	74-27794-01	18	3
Tape, Velcro	74-22794-05	18	2
Tape, Velcro	12-12431-10	18A	2
Tape, Velcro (Rear Door, Blower) (deleted)	74-27794-04	16	7
Tape, Velcro (Rear Door, P/S) (deleted)	74-27794-03	16	6
Terminal, (P3) Socket Contact	12-12170-00	11A	3
Terminal, (P3) Socket Contact	12-12170-00	11	3
Terminal, Quick Disconnect	12-17000-00	11	5
Terminal, Quick Disconnect	12-17000-00	11A	5
Terminal, Ring	90-07930-00	11A	4
Terminal, Ring	90-07930-00	11	4
Tie, Cable	90-07031-00	9	Not Shown
Tie, Cable	90-07031-00	4A	43
Tie, Cable	90-07031-00	4	43
Transformer (240V/416V 50 Hz)	16-19116-00	11	1
TRANSFORMER ASSEMBLY (added)	70-17936-00	10	19
TRANSFORMER ASSEMBLY (deleted)	70-21036-00	10	19
TRANSFORMER ASSEMBLY (REWORK)	70-21036-01	9	23
TRANSFORMER ASSEMBLY (Rework) (Modified Design) (added)	70-21036-00	11A	N/A
TRANSFORMER ASSEMBLY (Rework) (Original Design) (deleted)	70-21036-01	11	N/A
Transformer, 3 PHASE P=AB S=24 @.2A	16-18094-00	11A	1
Tray Weldment Assembly, Optional P/S	70-19636-01	12	1
Tray Weldment Assembly, Power Supply	70-19635-01	7	1
TU58 DRIVE	TU58-BB	19	2
VT220 Video Terminal (added)	VT220-A2	1	3
VT220 Video Terminal (added)	VT220-D2	1	3
VT220 Video Terminal (added)	VT220-A3	1	3
VT220 Video Terminal (added)	VT220-D3	1	3
VT220 Video Terminal (deleted)	VT220-A2	1	3
VT220 Video Terminal (deleted)	VT220-A3	1	3
VT320 Video Terminal	VT320-GA	1A	Not Shown
VT320 Video Terminal	VT320-AE	1A	Not Shown
Washer	74-24101-00	19	3
Washer Ext Tooth Lock No. 10	90-07651-00	1A	Not Shown
Washer Ext Tooth Lock No. 10	90-07651-00	1	Not Shown
Washer, Ext. Tooth Lock No. 10	90-07651-00	10	5
Washer, Ext. Tooth Lock No. 10	90-07651-00	4A	8

INDEX BY DEC PART DESCRIPTION
HSC50 STORAGE CONTROLLER

DESCRIPTION	DEC PART NO.	FIG. NO.	ITEM NO.
Washer, Ext. Tooth Lock No. 10	90-07651-00	4	8
Washer, Ext. Tooth Lock No. 6	90-07649-00	7	12
Washer, Ext. Tooth Lock No. 6 (deleted)	90-07649-00	10	30
Washer, Ext. Tooth No. 6	90-07649-00	12	9
Washer, Flat	90-06661-00	17A	3
Washer, Flat	90-06659-00	17A	6
Washer, Flat	90-06661-00	17	3
Washer, Flat	90-06659-00	17	6
Washer, Flat	90-06664-00	19	12
Washer, Flat	90-06664-00	15	6
Washer, Flat	90-06659-00	6	16
Washer, Flat	90-06679-00	4A	56
Washer, Flat	90-06659-00	4	48
Washer, Flat	90-06659-00	4A	48
Washer, Flat	90-09026-00	2	8
Washer, Flat	90-09026-00	2A	8
Washer, Flat (added)	90-06676-00	4A	53
Washer, Flat (deleted)	90-06661-00	9	16
Washer, Lock	90-06636-00	4A	14
Washer, Lock (deleted)	90-06690-00	9	4
Washer, Lock Ext. Tooth No. 10	90-07651-00	9	21
Washer, Lock No. 10 (deleted)	90-07906-00	8	6
Washer, Lock No. 8	90-06636-00	17A	10
Washer, Lock No. 8 (deleted)	90-06690-00	8	4
Washer, Split Lock	90-09895-00	2A	7
Washer, Split Lock	90-09895-00	2	7

READER'S COMMENTS

HSC50 STORAGE CONTROLLER
Illustrated Parts Breakdown
EK-HSC50-IP-004

1. How did you use this manual? (Circle your response.)

- (a) Installation (c) Maintenance (e) Training
(b) Operation/Use (d) Programming (f) Other (Please specify) _____

2. Did the manual meet your needs? Yes No Why? _____

3. Please rate the manual on the following categories. (Circle your response.)

	Excellent	Good	Fair	Poor	Unacceptable
Accuracy	5	4	3	2	1
Clarity	5	4	3	2	1
Completeness	5	4	3	2	1
Illustrations, examples	5	4	3	2	1
Overall ease of use	5	4	3	2	1
Table of Content, Index	5	4	3	2	1

4. What things did you like *most* about this manual? _____

5. What things did you like *least* about this manual? _____

6. Please list and describe any errors you found in the manual.

Page	Description/Location of Error
_____	_____
_____	_____
_____	_____
_____	_____

7. Which of the following most clearly describes your job ? (Circle your response.)

- (a) Administrative Support (e) System Manager (i) Education/Trainer
(b) Manager/Supervisor (f) Computer Operator (j) Sales/Marketing
(c) Scientist/Engineer (g) Software Support (k) Other (Please specify) _____
(d) Programmer/Analyst (h) Hardware Support

OPTIONAL INFORMATION

Name _____ Job Title _____
Street _____ Company _____
City _____ Department _____
State/Country _____ Telephone Number _____
Postal (ZIP) Code _____ Date _____

THANK YOU FOR YOUR COMMENTS AND SUGGESTIONS.

Please do not use this form to order manuals. Contact your representative at Digital Equipment Corporation or (in the USA) call our DECdirect™ department at this toll-free number : 800-258-1710