

RZ Series Disk Drive

Pocket Service Guide

Order Number: EK-RZXXD-PS. G01

October 1993

Digital Equipment Corporation makes no representations that the use of its products in the manner described in this publication will not infringe on existing or future patent rights, nor do the descriptions contained in this publication imply the granting of licenses to make, use, or sell equipment or software in accordance with the description.

© Digital Equipment Corporation 1993.
All Rights Reserved.
Printed in U.S.A.

The following are trademarks of Digital Equipment Corporation: DEC, DECmailer, DECservice, DSA, DSSI, MicroVAX, MSCP, Q-bus, SERVICenter, VAX, VAXsimPLUS, VMS, and the DIGITAL logo.

Contents

1 Introduction

1.1	Formatted Capacity	1-2
1.2	Service Strategy	1-2
1.3	Associated Documents	1-2

2 Configurations

2.1	RZ22 and RZ23 Disk Drive Configuration	2-2
2.2	RZ23L Disk Drive	2-4
2.3	RZ24 Disk Drive	2-5
2.4	RZ24L Disk Drive	2-6
2.5	RZ25 Disk Drive	2-7
2.6	RZ25L Disk Drive	2-9
2.7	RZ26B Disk Drive	2-12
2.8	RZ55, RZ56, RZ57, and RZ58 Disk Drives	2-14
2.9	RZ73 Disk Drive	2-16

3 Troubleshooting

4 FRU Procedures

4.1	Service Strategy	4-1
4.2	Removing and Replacing RZ22 and RZ23 FRUs	4-2
4.3	Replacing RZ23L, RZ24, RZ24L, RZ25, RZ25L, and RZ26B FRUs . . .	4-4
4.4	Removing and Replacing RZ55 FRUs	4-5
4.5	Removing and Replacing RZ56, RZ57, and RZ58 FRUs	4-8

4.6	Removing and Replacing RZ73 FRUs	4-11
-----	---	------

5 Recommended Spare Parts

Figures

2-1	RZ22 and RZ23 Drive Module Layout	2-2
2-2	RZ23L Drive Module Layout	2-4
2-3	RZ24 Drive Module Layout . . .	2-5
2-4	RZ24L Drive Module Layout	2-6
2-5	RZ25 Drive Module Layout . . .	2-7
2-6	RZ25L Drive Module Layout	2-9
2-7	RZ26B Drive Module Layout	2-12
2-8	RZ55, RZ56, RZ57, and RZ58 Drive SCSI Connectors	2-14
2-9	RZ73 Drive SCSI Connectors	2-16
3-1	RZxx Troubleshooting Flowcharts	3-2
4-1	RZ22 and RZ23 Drive Module/Frame Removal	4-3
4-2	RZ55 Drive Bezel Removal	4-6
4-3	RZ55 Drive Module Removal	4-7
4-4	RZ56 Bezel Removal	4-9
4-5	RZ56, RZ57, and RZ58 Drive Module or HDA Removal	4-10
4-6	Separating the RZ73 HDA from the Drive Module	4-12

4-7	Disconnecting the RZ73 Flex Circuit	4-13
-----	--	------

Tables

2-1	RZ22 and RZ23 Jumpers	2-3
2-2	RZ23L Jumpers	2-4
2-3	RZ24 Jumpers	2-5
2-4	RZ24L Jumpers	2-6
2-5	RZ25 Jumpers (J5 and J6)	2-8
2-6	RZ25L Jumpers (J2, J5, and J6)	2-10
2-7	RZ26B Jumpers	2-13
2-8	RZ55, RZ56 RZ57, and RZ58 Drive SCSI ID	2-15
2-9	RZ73 SCSI ID Selection	2-17

1

Introduction

The RZ22, RZ23, RZ23L, RZ24, RZ24L, RZ25, RZ25L, and RZ26B hard disk drives are half-height, high-density, 3.5-inch Winchester disk drives for use with low-end desktop and workstation systems. These random-access rotating memory devices store data in fixed-length blocks on 90-mm, thin film, rigid media disks. The drives are designed to be mounted horizontally, vertically, and upside-down. They have small computer system interface (SCSI) capability.

The RZ55, RZ56, RZ57, RZ58, and RZ73 hard disk drives are high-performance 5.25-inch drives. These random-access rotating memory devices store data in fixed-length blocks on 130-mm, thin film, rigid media disks. The drives are designed to be mounted horizontally or vertically in a system enclosure (such as a BA213 or BA400) or expansion box (such as the BA40 or BA42).

The RZ series disk drives conform to the common command set (CCS). The medium contained within each RZ series disk drive is a fixed, nonremovable head/disk assembly (HDA).

Introduction

1.1 Formatted Capacity

1.1 Formatted Capacity

3.5-Inch Drives		5.25-Inch Drives	
RZ22	52Mb	RZ55	332Mb
RZ23	104Mb	RZ56	665Mb
RZ23L	121Mb	RZ57	1.0Gb
RZ24	209Mb	RZ58	1.3Gb
RZ24L	245Mb	RZ73	2.0Gb
RZ25	426Mb		
RZ25L	535Mb		
RZ26B	1.05Gb		

1.2 Service Strategy

For the RZ23L, RZ24, RZ24L, RZ25, RZ25L, RZ26B, and RZ58 the entire disk drive is replaced. For the RZ22, RZ23, and RZ55 disk drives replace the drive module and then the entire drive option. For the RZ56, RZ57, and RZ73 disk drives replace the drive module and then the HDA.

1.3 Associated Documents

DECstation 3100 Maintenance Guide

EK-291AA-MG

DECstation 2100/3100 Maintenance Guide

EK-291AB-MG

DECstation 5000 Maintenance Guide

EK-370AA-MG

MicroVAX 3100 Maintenance Guide

EK-A0297-MG

VAXstation 3100 Maintenance Guide

EK-285AA-MG

VAXstation 35xx Maintenance Guide

EK-258AA-MG

2

Configurations

The RZ series disk drives are not designed to be internally terminated. The SCSI bus, however, must be terminated. Therefore, termination must be done within the host system itself or expansion boxes. Refer to the figures in this chapter for the location of the SCSI ID jumpers.

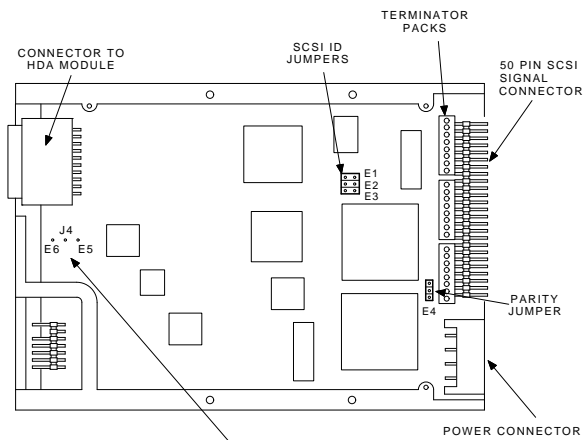
If you receive a drive or drive module with the terminator resistor packs installed, use needlenose pliers to remove them. The terminator resistor packs are located just behind the SCSI port connector.

Refer to the system documentation for information on the correct termination of the SCSI bus. A brief list of system maintenance guides can be found in Section 1.3.

Configurations
2.1 RZ22 and RZ23 Disk Drive Configuration

2.1 RZ22 and RZ23 Disk Drive Configuration

Figure 2-1 RZ22 and RZ23 Drive Module Layout



SEE FOOTNOTE 2 IN TABLE 2-1

SHR_X1141B_89

Configurations
2.1 RZ22 and RZ23 Disk Drive Configuration

Table 2–1 RZ22 and RZ23 Jumpers

SCSI ID	E1	E2	E3	E4
0	Out	Out	Out	Out
1	In	Out	Out	Out
2	Out	In	Out	Out
3	In	In	Out	Out
4	Out	Out	In	Out
5	In	Out	In	Out
6	Out	In	In	Out
7	In	In	In	Out
	E5¹ is Out		E6¹ is In	

¹E5 and E6 are present on drive/modules with revision levels BO2 or higher. Manufacturing use only.

Configurations
2.2 RZ23L Disk Drive

2.2 RZ23L Disk Drive

Figure 2-2 RZ23L Drive Module Layout

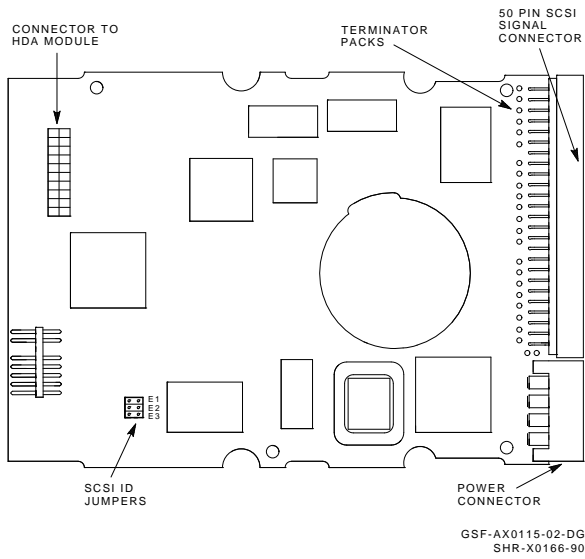


Table 2-2 RZ23L Jumpers

SCSI ID	E1	E2	E3
0	Out	Out	Out
1	In	Out	Out
2	Out	In	Out
3	In	In	Out
4	Out	Out	In
5	In	Out	In
6	Out	In	In
7	In	In	In

Configurations
2.3 RZ24 Disk Drive

2.3 RZ24 Disk Drive

Figure 2-3 RZ24 Drive Module Layout

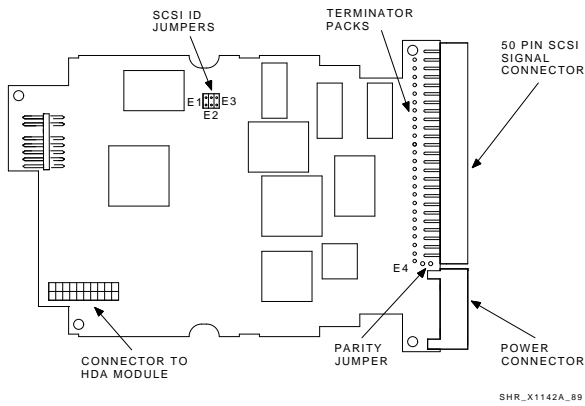


Table 2-3 RZ24 Jumpers

SCSI ID	E1	E2	E3
0	Out	Out	Out
1	In	Out	Out
2	Out	In	Out
3	In	In	Out
4	Out	Out	In
5	In	Out	In
6	Out	In	In
7	In	In	In

Configurations
2.4 RZ24L Disk Drive

2.4 RZ24L Disk Drive

Figure 2–4 RZ24L Drive Module Layout

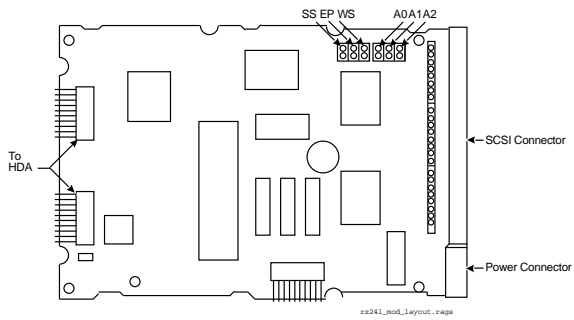


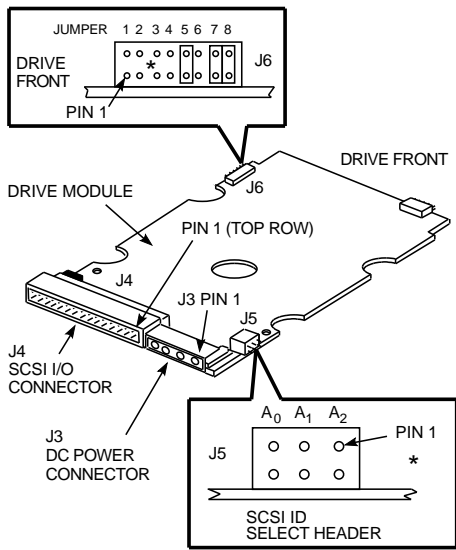
Table 2–4 RZ24L Jumpers

SCSI ID	A2	A1	A0
0	Out	Out	Out
1	Out	Out	In
2	Out	In	Out
3	Out	In	In
4	In	Out	Out
5	In	Out	In
6	In	In	Out
7	In	In	In

Configurations
2.5 RZ25 Disk Drive

2.5 RZ25 Disk Drive

Figure 2-5 RZ25 Drive Module Layout



* SEE TABLE IN TEXT

mkv-r1042a-93

Configurations
2.5 RZ25 Disk Drive

Table 2–5 RZ25 Jumpers (J5 and J6)

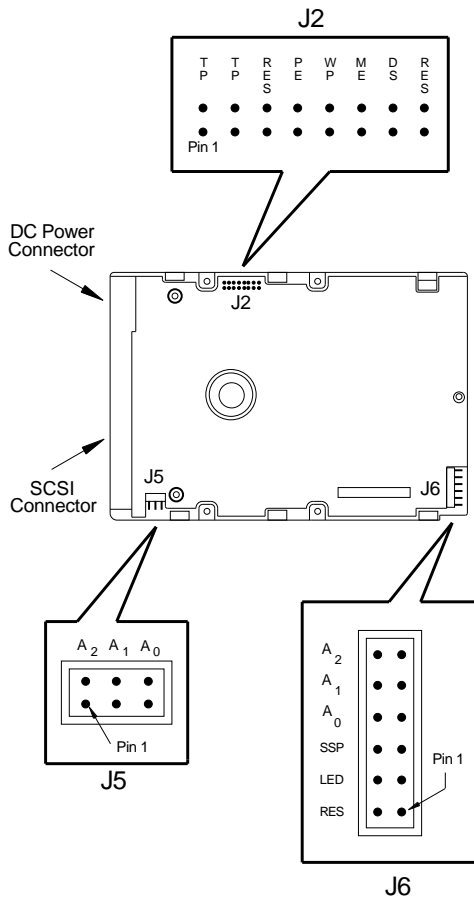
SCSI ID (J5)	A ₂	A ₁	A ₀
0	Out	Out	Out
1	In	Out	Out
2	Out	In	Out
3	In	In	Out
4	Out	Out	In
5	In	Out	In
6	Out	In	In
7	In	In	In

J6	Jumper 2
Out	Spin-up on power-up.
In	Spin-up on SCSI command.
	Note that jumpers 5, 7, and 8 are always present.

**Configurations
2.6 RZ25L Disk Drive**

2.6 RZ25L Disk Drive

Figure 2-6 RZ25L Drive Module Layout



Configurations
2.6 RZ25L Disk Drive

Table 2–6 RZ25L Jumpers (J2, J5, and J6)

<u>J2</u> ¹ Setting		Description
RES		
<u>Off</u> /On		Reserved.
DS	ME	
<u>Off</u>	<u>Off</u>	Spin-up on power-up.
Off	On	Spin-up on SCSI command.
On	Off	Spin-up delayed by SCSI ID times 12 seconds after powerup.
On	On	Spin-up on START UNIT command from host. Delayed start is overridden and does not apply when ME is installed.
WP		
On		Write protection enabled.
<u>Off</u>		Write protection disabled.
PE		
On		Parity checking and parity error reporting enabled.
<u>Off</u>		Parity checking and parity error reporting disabled
RES		
<u>Off</u> /On		Reserved.
TP	TP	
Off	Off	No terminator power connected to drive terminators or SCSI bus I/O pin 26.
<u>On</u>	Off	Drive supplies its own terminator power only.

¹Underlined functions are factory defaults.

(continued on next page)

**Configurations
2.6 RZ25L Disk Drive**

Table 2–6 (Cont.) RZ25L Jumpers (J2, J5, and J6)

J2¹		Description	
Setting			
Off	<u>On</u>	Drive supplies power to SCSI bus I/O pin 26 only. When drives have differential I/O circuits, a jumper on the right TP position may be needed to power external terminators.	
On	<u>On</u>	Drive supplies terminator power to itself via an internal connection and to SCSI bus I/O pin 26. This is a legal jumper setting.	
TP Position A			
On		Horizontal jumper across both TP positions closest to the PCB edge; connects terminator power from SCSI bus I/O pin 26 to the drive's internal terminators.	
Off		See above explanations for TP jumpers. disabled	
J5 & J6²			
SCSI ID	A₀	A₁	A₂
0	Out	Out	Out
1	In	Out	Out
2	Out	In	Out
3	In	In	Out
4	Out	Out	In
5	In	Out	In
6	Out	In	In
7	In	In	In

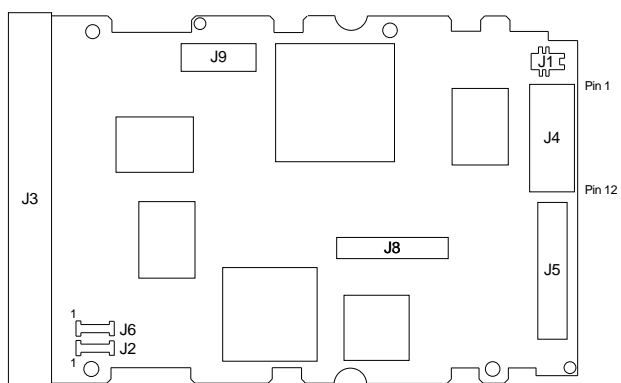
¹Underlined functions are factory defaults.

²Use either J5 or J6, but not both.

Configurations
2.7 RZ26B Disk Drive

2.7 RZ26B Disk Drive

Figure 2-7 RZ26B Drive Module Layout



Configurations
2.7 RZ26B Disk Drive

Table 2–7 RZ26B Jumpers

SCSI ID (J4)	12	11	10
0	Out	Out	Out
1	In	Out	Out
2	Out	In	Out
3	In	In	Out
4	Out	Out	In
5	In	Out	In
6	Out	In	In
7	In	In	In

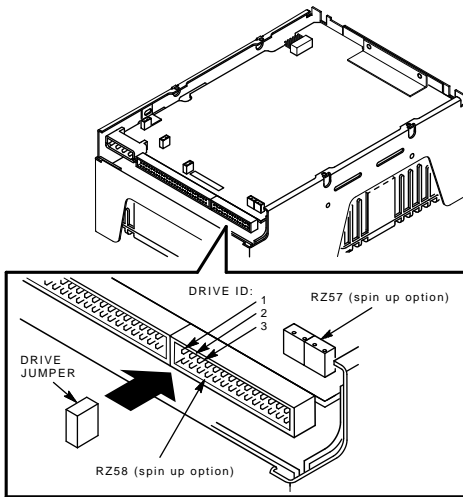
J4	Jumper 5
Out	Spin-up on SCSI command.
In	Spin-up on power-up.

Jumper	Position	Description
J6(pins 1-2)	In	Power to SCSI Busterm Power.
J2(pins 1-2)	In	Active terminators disabled.

Configurations
2.8 RZ55, RZ56, RZ57, and RZ58 Disk Drives

2.8 RZ55, RZ56, RZ57, and RZ58 Disk Drives

Figure 2–8 RZ55, RZ56, RZ57, and RZ58 Drive SCSI Connectors



SHR-X0018-90

Configurations
2.8 RZ55, RZ56, RZ57, and RZ58 Disk Drives

Table 2–8 RZ55, RZ56 RZ57, and RZ58 Drive SCSI ID

SCSI ID	3	2	1
0	Out	Out	Out
1	Out	Out	In
2	Out	In	Out
3	Out	In	In
4	In	Out	Out
5	In	Out	In
6	In	In	Out
7	In	In	In

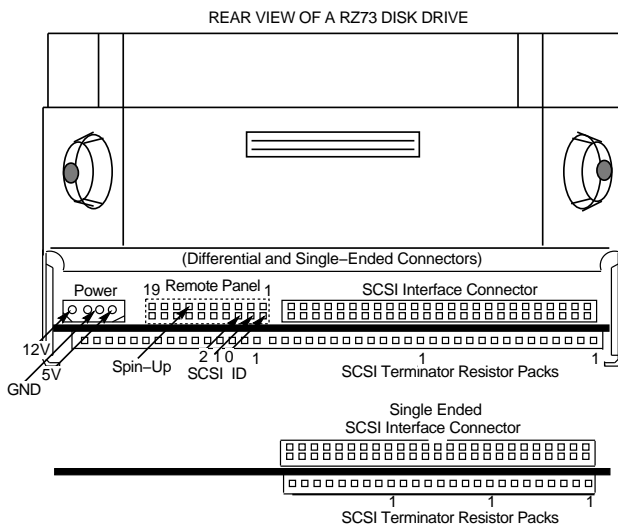
The RZ57 and RZ58 can be set to spin up when power is applied to the host system. These jumpers can be seen in Figure 2–8.

Note that when the jumper is removed on the RZ57, the spin up option is enabled. The spin up option is also enabled when the jumper is in place on the RZ58. When the spin up option is disabled, the drive will only spin up with a SCSI command.

Configurations
2.9 RZ73 Disk Drive

2.9 RZ73 Disk Drive

Figure 2–9 RZ73 Drive SCSI Connectors



NOTE: The three resistor packs must be inserted with their pin 1 correctly aligned with the connector.

r273_conn.s.rags

Configurations 2.9 RZ73 Disk Drive

Table 2–9 RZ73 SCSI ID Selection

SCSI ID	Switch Positions ¹		
	1	2	3
0	Out	Out	Out
1	Out	Out	In
2	Out	In	Out
3	Out	In	In
4	In	Out	Out
5	In	Out	In
6	In	In	Out
7	In	In	In

Jumper 13 and 14

Out	Spin-up on power-up.
In	Spin-up on SCSI command.

¹SCSI address 7 is normally assigned to a system adapter.

3

Troubleshooting

The RZxx disk drives depend on system-based diagnostics for troubleshooting. If you are going to use these diagnostics, make sure that you adhere to all system configuration criteria such as loopback connectors.

Check the following to determine if the drive is faulty:

- Make sure the drive is connected (both power and signal cables).
- Make sure there is power to the drive.
- Make sure the drive is correctly configured.

Note

Check SCSI ID before and after replacing the drive module.

Note

If the RZ23L and RZ25 disk drives fail replace the entire disk drive.

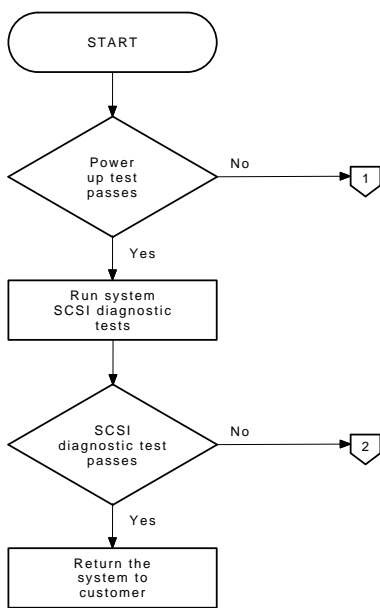
Note

Not all RZxx disk drives will use all of the troubleshooting flowcharts.

Figure 3-1 shows the logical procedure for troubleshooting an RZ drive in a system.

Troubleshooting

Figure 3-1 RZxx Troubleshooting Flowcharts

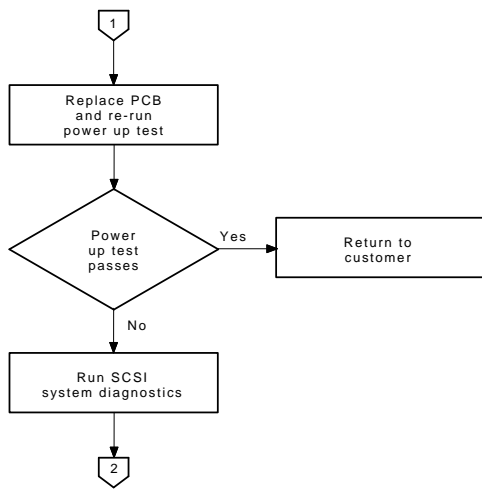


SHR-X0037-90

(continued on next page)

Troubleshooting

Figure 3-1 (Cont.) RZxx Troubleshooting Flowcharts

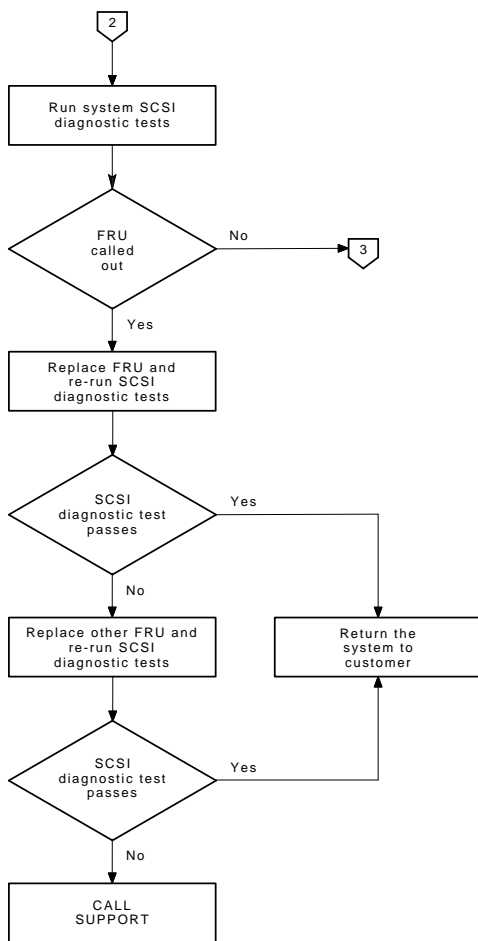


SHR-X0038-90

(continued on next page)

Troubleshooting

Figure 3-1 (Cont.) RZxx Troubleshooting Flowcharts

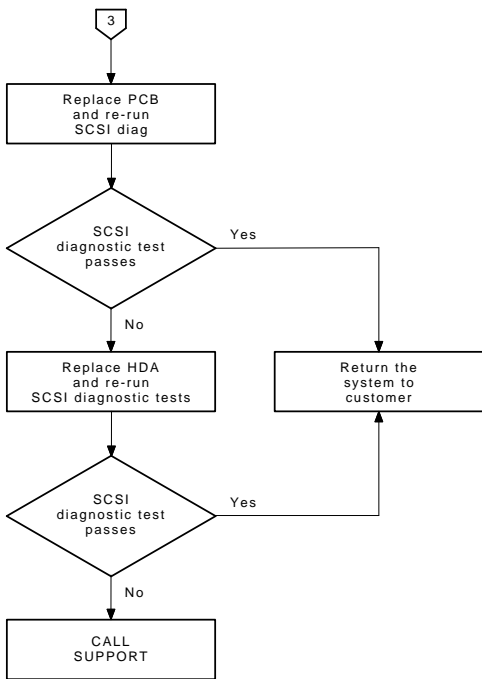


SHR-X0039-90

(continued on next page)

Troubleshooting

Figure 3-1 (Cont.) RZxx Troubleshooting Flowcharts



SHR-X0040-90

4

FRU Procedures

This chapter describes procedures for removing and replacing the drive module/frame on the HDA.

CAUTION

Wear a properly grounded antistatic wrist strap, available in the Digital antistatic kit (Part number 29-26246-00), and use care when handling the drive.

4.1 Service Strategy

For the RZ23L, RZ24, RZ24L, RZ25, RZ25L, RZ26B, and RZ58 the entire disk drive is replaced. For the RZ22, RZ23, and RZ55, disk drives replace the drive module and then the entire drive option. For the RZ56, RZ57, and RZ73 disk drives replace the drive module and then the HDA.

Set the SCSI ID jumpers to match those of the replaced drive module or drive.

FRU Procedures

4.2 Removing and Replacing RZ22 and RZ23 FRUs

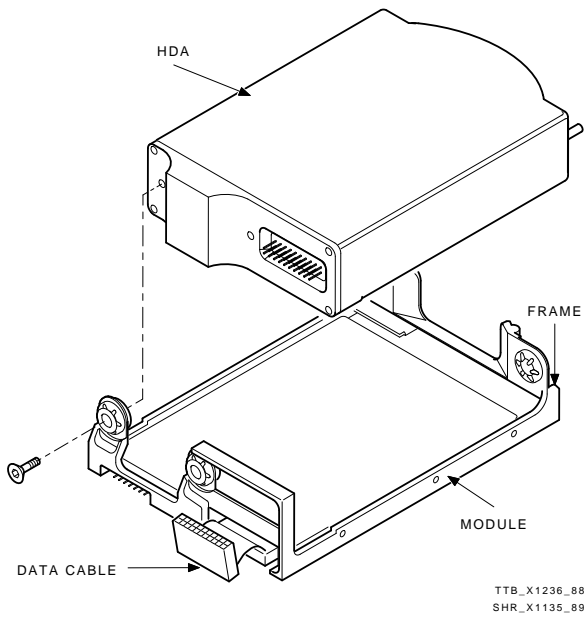
4.2 Removing and Replacing RZ22 and RZ23 FRUs

Follow these steps to replace the drive module for the RZ22 and RZ23 disk drives (see Figure 4-1):

1. Remove the drive from the system enclosure and position the drive.
2. Remove the HDA interconnect cable at the HDA end, *not* at the drive module/frame end.
3. Remove the two screws using a 1/16-inch hex driver.
4. Holding the drive in your left hand, push the HDA back against the rear grommets with your right hand and pull the front of the HDA up and straight out, away from the drive module/frame.

FRU Procedures
4.2 Removing and Replacing RZ22 and RZ23 FRUs

Figure 4-1 RZ22 and RZ23 Drive Module/Frame Removal



FRU Procedures

4.3 Replacing RZ23L, RZ24, RZ24L, RZ25, RZ25L, and RZ26B FRUs

4.3 Replacing RZ23L, RZ24, RZ24L, RZ25, RZ25L, and RZ26B FRUs

The RZ23L, RZ24, RZ24L, RZ25, RZ25L, and RZ26B disk drives are one piece FRUS.

The term **Generic SCSI Device** refers to RZ23L disk drives that are embedded in the system.

For VMS operating systems:

- Version 5.4.1 operating system will identify the RZ23L as an RZ23L disk drive.
- Version 5.3.x operating system or earlier will identify the RZ23L as a Generic SCSI Device. At the console prompt type SHOW DEVICE. This command will perform an inquiry to the drive and identify the correct ID of the RZ23L disk drive.

For ULTRIX operating systems:

- Version 4.1 operating system will identify the RZ23L as an RZ23L disk drive.
- Version 4.0 operating system or earlier will identify the RZ23L as a Generic SCSI Device. At the console prompt type SCSI PB to display the RZ23L as an RZ23L disk drive.

Follow the procedure described in Section 4.2.

FRU Procedures
4.4 Removing and Replacing RZ55 FRUs

4.4 Removing and Replacing RZ55 FRUs

CAUTION

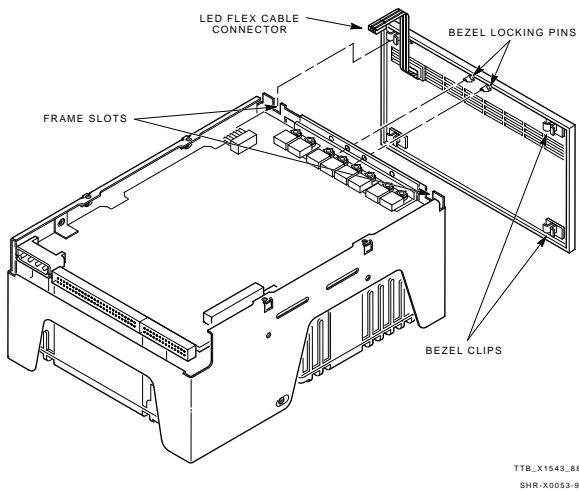
Do not remove or alter any of the jumpers on the drive module as this may result in damage to the drive module or HDA. Set the SCSI ID jumpers to match those of the replaced drive module or drive.

Follow these steps to remove the bezel (see Figure 4–2):

1. Position the drive with the module face up, and turn the drive so the bezel is facing away from you.
2. Unplug the LED flex cable.
3. Hold the sides of the bezel with the palms of your hands, with your fingers resting on the front of the bezel and position your thumbs on the back of the bezel above the locking pins.
4. Carefully apply outward pressure to the bezel with your thumbs until the two bezel locking pins clear the holes in the frame. Note that the bezel must flex about 1/8 inch to clear the pins.
5. While the bezel is flexed, slide it upward until movement stops (about 3/8 inch). This frees the upper bezel clips from the upper frame slots.
6. Push the bezel away from the drive. This frees the lower bezel clips from the lower frame slots and releases the bezel.

FRU Procedures
4.4 Removing and Replacing RZ55 FRUs

Figure 4–2 RZ55 Drive Bezel Removal



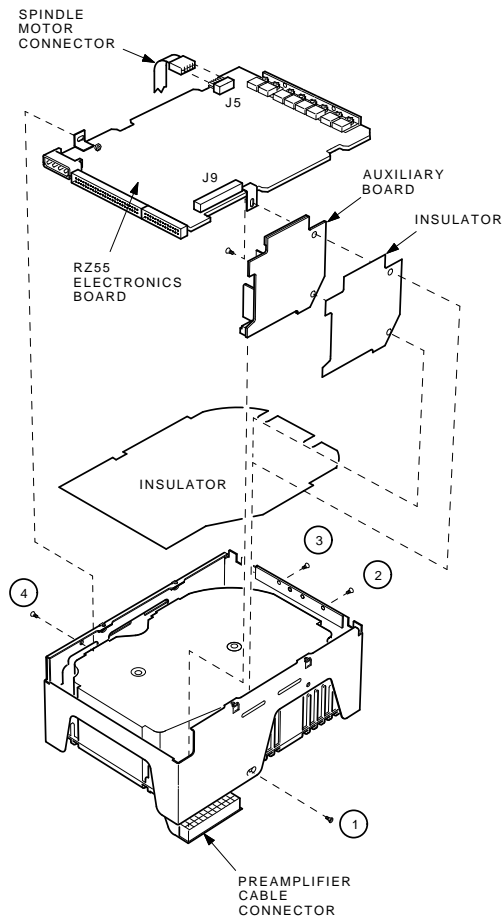
Once you have removed the bezel from the drive, follow these steps to remove the drive module (see Figure 4–3):

1. Remove the screws labeled 1, 2, 3, and 4.
2. Unplug the spindle motor connector at J5.
3. Lift the drive module up and out of the drive.
4. Unplug the preamplifier cable connector at the auxiliary board.
5. Lift the drive module and auxiliary board up and out of the drive.
6. Remove the screw and speednut holding the drive module.
7. Unplug the auxiliary board from J9 on the drive module.

FRU Procedures
4.4 Removing and Replacing RZ55 FRUs

8. Exchange the bad module with the replacement, and check the drive module configuration.

Figure 4-3 RZ55 Drive Module Removal



TTB_X1545_88
SHR-X0054-90

FRU Procedures

4.5 Removing and Replacing RZ56, RZ57, and RZ58 FRUs

4.5 Removing and Replacing RZ56, RZ57, and RZ58 FRUs

Use the following procedure for the two FRUs of a RZ56 and RZ57 disk drive.

The RZ58 disk drive is a single FRU device. However, if the customer data is critical use this same procedure to replace the failed drive module using the drive module from your spare RZ58-E. If the failure continues, return the spare drive module to the spare RZ58-E HDA and replace the entire failed customer drive.

CAUTION

Do not remove or alter any of the jumpers on the drive module as this may result in damage to the drive module or HDA. Set the SCSI ID jumpers to match that of the replaced drive module or drive.

To remove the bezel on the RZ56 only, refer to Figure 4-4. (The RZ57 and RZ58 disk drives do not have a bezel.)

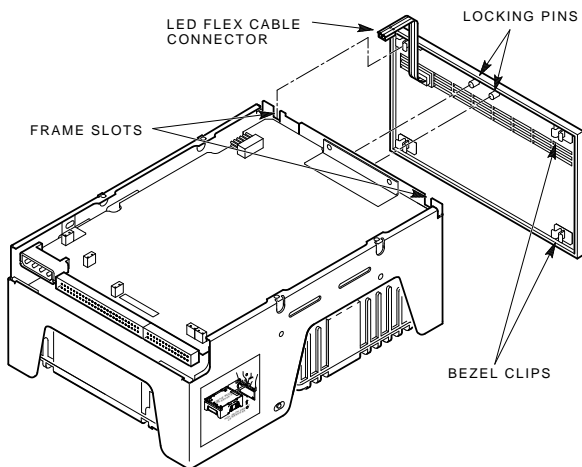
1. Position the drive with the module face up, and turn the drive so the bezel is facing away from you.
2. Unplug the LED flex cable.
3. Hold the sides of the bezel with the palms of your hands, with your fingers resting on the front of the bezel. Position your thumbs on the back of the bezel above the locking pins.
4. Carefully apply outward pressure to the bezel with your thumbs until the two bezel-locking pins clear the holes in the frame. Note that the bezel must flex about 1/8 inch to clear the pins.

FRU Procedures

4.5 Removing and Replacing RZ56, RZ57, and RZ58 FRUs

5. While the bezel is flexed, slide it upward until movement stops (about 3/8 inch). This frees the upper bezel clips from the upper frame slots.
6. Push the bezel away from the drive. This frees the lower bezel clips from the lower frame slots and releases the bezel.

Figure 4-4 RZ56 Bezel Removal



To remove the module, follow these steps:

SHR-X0003-90

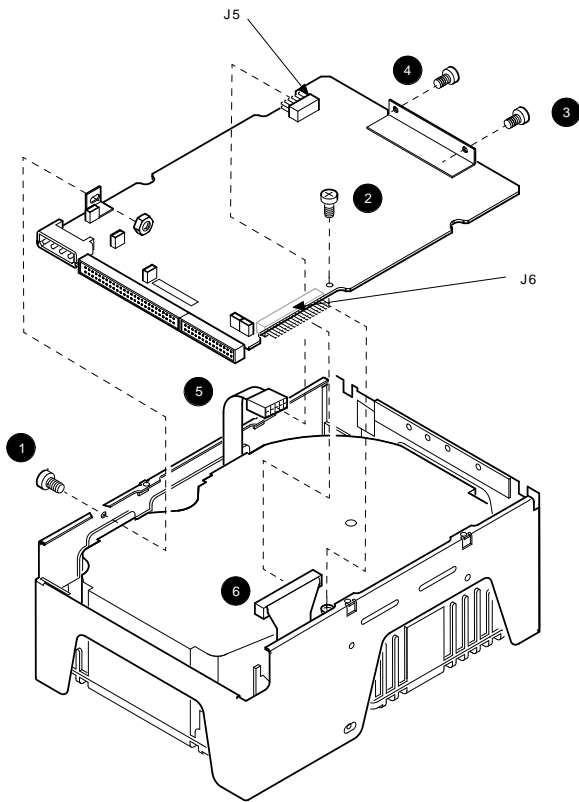
1. Remove the screws labeled 1, 2, 3, and 4.
2. Unplug the spindle motor connector at J5.
3. Lift the drive module up and out of the drive.
4. Unplug the data cable connector at J6.

FRU Procedures

4.5 Removing and Replacing RZ56, RZ57, and RZ58 FRUs

5. Exchange the bad module with the replacement module, and check the drive module configuration.

Figure 4-5 RZ56, RZ57, and RZ58 Drive Module or HDA Removal



SHR-X0004-90

FRU Procedures
4.6 Removing and Replacing RZ73 FRUs

4.6 Removing and Replacing RZ73 FRUs

CAUTION

Do not handle the ISE unless you are wearing a properly grounded antistatic wrist strap. When working on the ISE, place it on an antistatic pad.

CAUTION

Handle the ISE with care. Excessive shock can cause damage to the HDA.

CAUTION

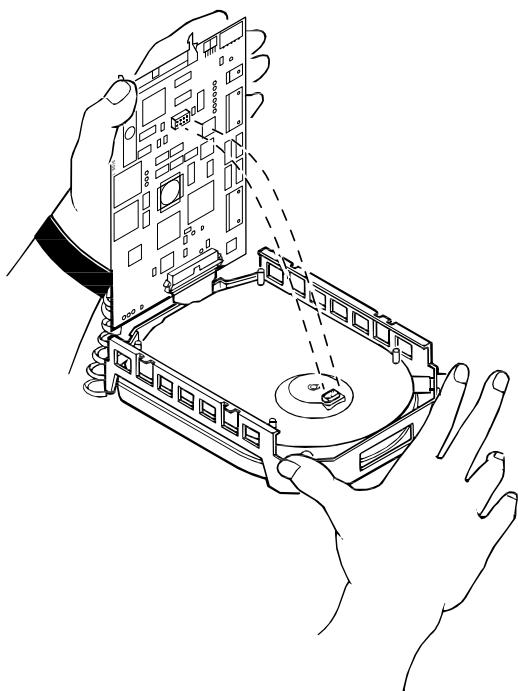
Do not lose the screws or use screws other than those that come with the device (DEC part number 90-00039-07). Replacement screws must be the same type and size (6/32 x 1/4" flathead) or the HDA might be damaged.

Follow these steps to separate the drive module from the HDA:

1. Remove the four screws securing the drive module to the HDA.
2. Carefully separate the drive module from the HDA, as shown in Figure 4-6. Be sure to lift the drive module from the end with the DSSI connector, separating the spindle motor from its socket on the drive module. Take care not to stress the flex circuit.
3. Carefully remove the connector attaching the flex circuit to the drive module, as shown in Figure 4-7.

FRU Procedures
4.6 Removing and Replacing RZ73 FRUs

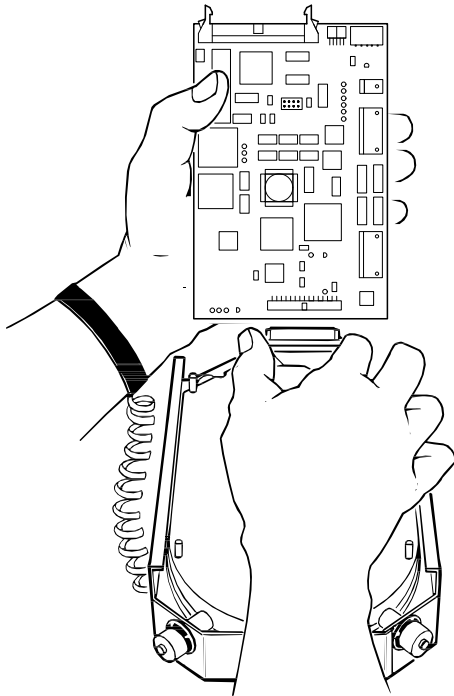
Figure 4-6 Separating the RZ73 HDA from the Drive Module



MA-X0962-88
SHR-X0157-90

FRU Procedures
4.6 Removing and Replacing RZ73 FRUs

Figure 4–7 Disconnecting the RZ73 Flex Circuit



MA-X0961-88
SHR-X0156-90

4. Replace the faulty FRU and reconnect the flex circuit to the connector on the drive module.
5. Swing the drive module into position over the HDA and line up the four screw holes in the module over the corresponding holes in the HDA. Gently apply enough pressure to seat the pins from the spindle motor into the spindlesocket on the drive module.
6. Replace the four screws that secure the drive module to the HDA. These screws **MUST** be tightened firmly, as the drive module is subjected to vibration when the device is running.

FRU Procedures

4.6 Removing and Replacing RZ73 FRUs

7. Reattach any mounting hardware and reinstall the ISE into the enclosure.
8. Set the SCSI ID jumpers to match that of the replaced drive module or drive.

CAUTION

Make sure the screws are not touching the HDA.

5

Recommended Spare Parts

RZxx Disk Drive Major FRUs

Drive	Part Number
RZ22	RZ22-E
RZ23	RZ23-E
RZ23L	RZ23L-E
RZ24	RZ24-E
RZ24L	RZ24L-0
RZ25	RZ25-E
RZ25L	RZ25L-E
RZ26B	RZ26B-E
RZ55	RZ55-E
RZ56	n/a
RZ57	n/a
RZ58	RZ58-E
RZ73	n/a

ID Jumpers	Part Number
.019 inch	29-28229-01
.025 inch	29-28228-01

Continued on the next page.

Recommended Spare Parts

RZxx Disk Drive Major FRUs

HDA	Part Number
RZ22	n/a
RZ23	n/a
RZ23L	n/a
RZ24	n/a
RZ24L	n/a
RZ25	n/a
RZ25L	n/a
RZ26B	n/a
RZ55	n/a
RZ56	29-27890-01
RZ57	29-28158-01
RZ58	n/a
RZ73	70-28814-01

Drive Module	Part Number
RZ22	29-27240-01
RZ23	29-27240-01
RZ23L	n/a
RZ24	n/a
RZ24L	n/a
RZ25	n/a
RZ25L	n/a
RZ26B	n/a
RZ55	29-27347-01
RZ56	29-27889-01
RZ57	29-28159-01
RZ58	n/a
RZ73	54-19110-01 ¹
	54-19131-01 ²

¹Part number accomodates single ended.

²Part number accomodates differential.