

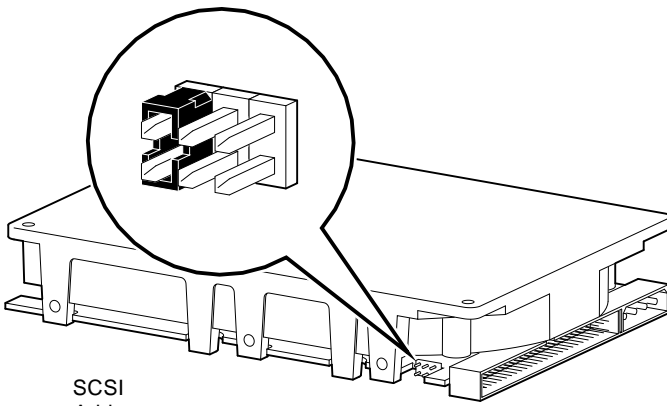


RZ28B™ Disk Drive Data Sheet

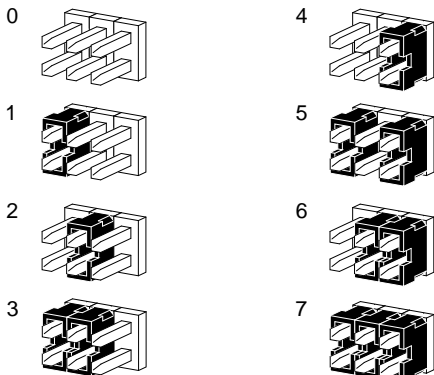
EK-RZ28B-DS. A01

March 1994

To install the RZ28B disk drive, refer to any section in your system documentation that explains how to install an RZ™-series fixed disk drive. The installation procedure is the same for all RZ-series fixed disk drives.



SCSI
Address
Settings: 0



MLO-010904

Table 1 RZ28B Disk Drive Specifications

Weight	Height	Width	Depth
0.99 kg (2.00 lb)	4.14 cm (1.63 in)	10.2 cm (4.00 in)	14.6 cm (5.75 in)
Drive Formatted Storage Capacity			
Bytes per drive	2.104 GB (formatted)		
Bytes per surface	131.53 MB		
Buffer size	256 KB		
Drive Performance			
Data transfer rate to/from media	3.35 to 5.35 MB/sec		
Seek time track to track	1 msec		
Seek time average	9 msec		
Seek time maximum (full stroke)	19 msec		
Average latency	5.54 msec		
Rotational speed	5400 rpm		
Interleave ratio	1:1		
Drive Operating Conditions			
Ambient temperature	5°C to 50°C (41°F to 122°F)		
Relative humidity	8%–80% non-condensing		
Maximum wet bulb	28°C (82°F)		
Temperature gradient	20°C (36°F) per hour		
Drive Nonoperating Conditions			
Ambient temperature	–40°C to 70°C (–40°F to 158°F)		
Relative humidity	5%–95% (noncondensing)		
Maximum wet bulb	28°C (82°F)		
Temperature gradient	25°C (77°F) per hour		

© Digital Equipment Corporation 1994. All rights reserved.

S2521