

RRD43 CD-ROM Disc Drive Installation Guide for

MicroVAX 3100 and VAX 4000 Model 100 Systems

Order Number: EK-RRDVX-IN. A01

First Printing, March 1994

Digital Equipment Corporation makes no representations that the use of its products in the manner described in this publication will not infringe on existing or future patent rights, nor do the descriptions contained in this publication imply the granting of licenses to make, use, or sell equipment or software in accordance with the description.

Possession, use, or copying of the software described in this publication is authorized only pursuant to a valid written license from Digital or an authorized sublicensor.

Copyright © Digital Equipment Corporation, 1994. All Rights Reserved.

The Reader's Comments form at the end of this document requests your critical evaluation to assist in preparing future documentation.

The following are trademarks of Digital Equipment Corporation: DEC, Digital, MicroVAX, RRD43, SCSI, VAX, VAX DOCUMENT, and the DIGITAL logo.

All other trademarks and registered trademarks are the property of their respective holders.

FCC NOTICE: The equipment described in this manual generates, uses, and may emit radio frequency energy. The equipment has been type tested and found to comply with the limits for a Class A computing device pursuant to Subpart J of Part 15 of FCC Rules, which are designed to provide reasonable protection against such radio frequency interference when operated in a commercial environment. Operation of this equipment in a residential area may cause interference, in which case the user at his own expense may be required to take measures to correct the interference.

S2527

Contents

1	The RRD43-AA CD-ROM Drive	1
2	Drive Contents	2
3	SCSI ID Information	2
4	Installation	4
4.1	Preparing to Install an RRD43 Option in a MicroVAX 3100 Model 30 System	5
4.2	Preparing to Install an RRD43 Option in a System (Right Storage Slot)	5
4.3	Preparing to Install an RRD43 Option in a System (Left Storage Slot)	6
4.4	Installing the RRD43 CD-ROM Option	6
5	Diagnostic Support	7
6	Drive Specifications	9

Figures

1	RRD43 Compact Disc Drive Front Panel	1
2	RRD43 CD-ROM Drive Jumper Locations	3
3	Removing the Blank Bezel Insert	5
4	Connecting the Power and SCSI Cables	7
5	Installing the RRD43 Option	8

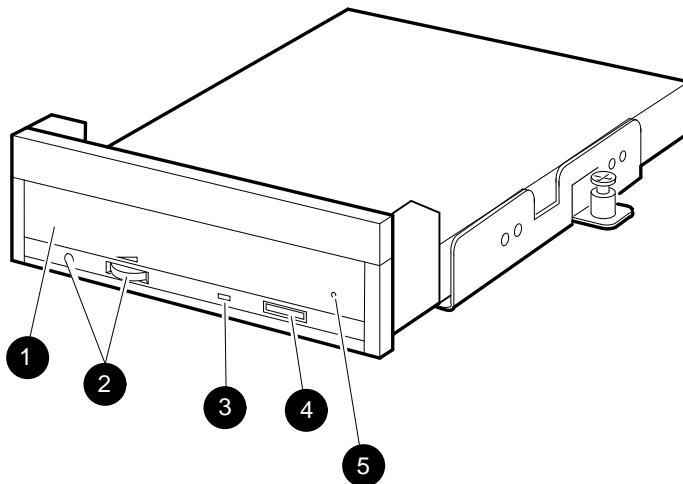
Tables

1	RRD43 CD-ROM SCSI ID Jumper Settings	4
2	RRD43 Disc Drive Specifications	9

1 The RRD43-AA CD-ROM Drive

The RRD43 CD-ROM drive is a compact disc, read-only memory (ROM), Small Computer Systems Interface (SCSI) device. It reads data from industry-standard 600 MB discs. The order number for the field-installable RRD43 CD-ROM drive is RRD43-EK. Figure 1 shows the RRD43 drive and its external features.

Figure 1 RRD43 Compact Disc Drive Front Panel



MLO-012261

- ❶ Disc tray.
- ❷ Volume control and headphone socket—not used.

- ③ Busy LED—This LED turns on when data is read from the disc. It flashes during seek operations.
- ④ Eject button—Press this button to eject the disc tray from the RRD43.
- ⑤ Emergency eject hole—Use the emergency eject hole to manually eject the disc tray if a power failure occurs.

2 Drive Contents

Each RRD43–EK option contains the following components:

- RRD43–AA CD-ROM drive
- Mounting bracket (PN 74–42449–01)
- Screws (4) (PN 90–10556–12)
- Bezel insert (for MicroVAX 3100 Model 30 systems only) (PN 74–37501–01)
- Documentation

3 SCSI ID Information

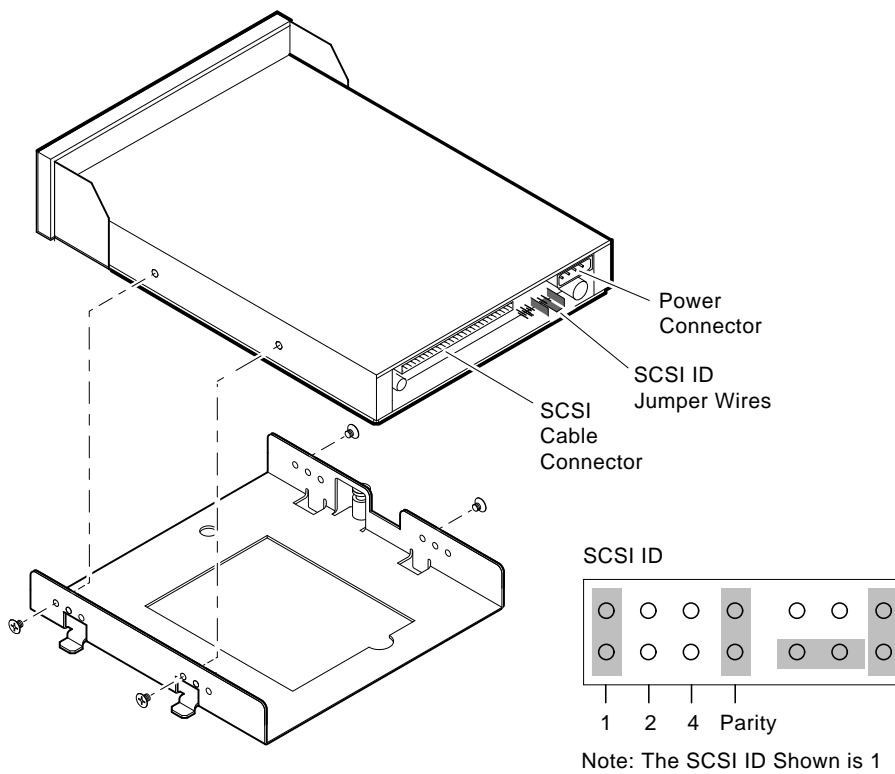
In any system, each SCSI device must have a unique identifier called the SCSI ID number. In an RRD43 CD-ROM drive, the SCSI ID number is determined by three jumpers (See Figure 2). When installing an RRD43 CD-ROM drive in a system, set the SCSI ID jumpers to a value that is not used by any of the other SCSI devices in the system. See your system documentation for more information about the SCSI bus.

The following procedure describes how to set the SCSI ID number on an RRD43 CD-ROM drive option.

1. Determine the SCSI ID number to be assigned to the RRD43 CD-ROM drive option. Typically, the RRD43 CD-ROM uses SCSI ID 4; however, the system manager may prefer to make this decision.
2. At the console prompt on the system console terminal, enter the SHOW DEVICE command. This will list the SCSI ID numbers for the existing devices in the system. Verify that you are using a number that is not currently assigned to another device.
3. Locate the SCSI ID jumper pins on the CD-ROM drive. See Figure 2.

4. Position the jumpers for the SCSI ID number selected. Table 1 shows the jumper settings for each SCSI ID.

Figure 2 RRD43 CD-ROM Drive Jumper Locations



MLO-012257

Table 1 RRD43 CD-ROM SCSI ID Jumper Settings

SCSI ID	Jumper 1	Jumper 2	Jumper 4
0	Out	Out	Out
1	In	Out	Out
2	Out	In	Out
3	In	In	Out
4	Out	Out	In
5	In	Out	In
6	Out	In	In
7	In	In	In

A fourth jumper wire (Parity) resides to the right of the SCSI ID jumper wires and must be installed. When the Parity jumper is installed, the drive is in Digital operation mode. When the jumper is removed, the drive is in PC mode.

4 Installation

Before installing the RRD43 CD-ROM drive option, the enclosure cover must be removed. If you are installing the RRD43 CD-ROM drive option in a MicroVAX 3100 Model 40, 80, or 90 system, or a VAX 4000 Model 100 system, the upper drive-mounting shelf must also be removed. See the appropriate enclosure maintenance manual for these removal procedures.

You can install an RRD43 CD-ROM drive in the following MicroVAX 3100 and VAX 4000 Model 100 systems:

- A MicroVAX 3100 Model 30 system (right storage slot.)
- A MicroVAX 3100 Model 40, 80, or 90, or VAX 4000 Model 100 system (either storage slot in the lower drive-mounting shelf.)

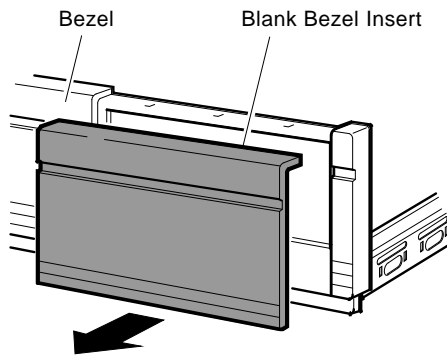
The location of the storage slot determines the position of the mounting bracket on the drive. The following sections describe how the mounting bracket should be attached to the CD-ROM drive.

4.1 Preparing to Install an RRD43 Option in a MicroVAX 3100 Model 30 System

Before you install an RRD43 CD-ROM in a MicroVAX 3100 Model 30 system, perform the following steps:

1. Attach the mounting bracket as shown in Figure 2. Facing the front of the drive, the captive screw should be on the left, and the four screws attaching the mounting bracket to the drive should be attached through the series of bracket holes that are closest to the front of the drive.
2. From inside the enclosure, push the blank bezel insert out of the front bezel.
3. Remove the blank bezel insert from the enclosure. Figure 3 shows the removal of the blank bezel insert from a MicroVAX 3100 Model 30 system.

Figure 3 Removing the Blank Bezel Insert



MLO-012258

4.2 Preparing to Install an RRD43 Option in a System (Right Storage Slot)

Before you install an RRD43 CD-ROM drive option in the right storage slot on the lower drive-mounting shelf in a MicroVAX 3100 Model 40, 80, or 90, or VAX 4000 Model 100 system, perform the following steps:

1. Attach the mounting bracket as shown in Figure 2. Facing the front of the drive, the captive screw should be on the left, and the four screws attaching the mounting bracket to the drive should be attached through the series of bracket holes that are closest to the front of the drive.

2. From inside the enclosure, push out the blank bezel insert that covers the right storage slot on the lower drive-mounting shelf.
3. Remove the blank bezel insert from the enclosure.

4.3 Preparing to Install an RRD43 Option in a System (Left Storage Slot)

Before you install an RRD43 CD-ROM drive option in the left storage slot on the lower drive-mounting shelf in a MicroVAX 3100 Model 40, 80, or 90, or VAX 4000 Model 100 system, perform the following steps:

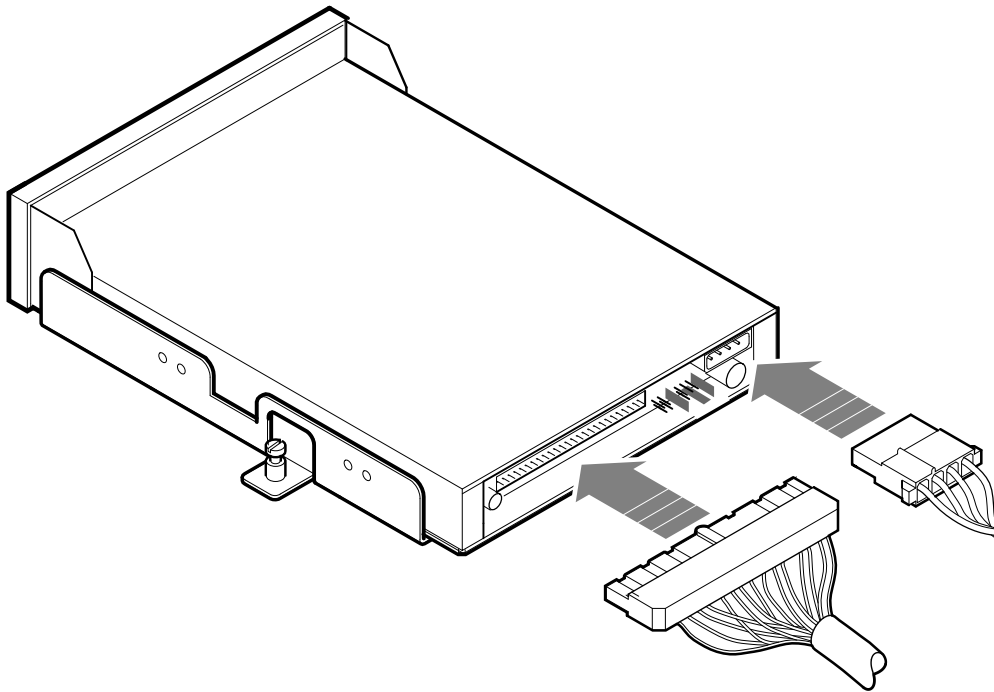
1. Attach the mounting bracket as follows: Facing the front of the drive, the captive screw should be on the right, and the four screws attaching the mounting bracket to the drive should be attached through the series of bracket holes that are closest to the front of the drive.
2. From inside the enclosure, push out the blank bezel insert that covers the left storage slot on the lower drive-mounting shelf.
3. Remove the blank bezel insert from the enclosure.

4.4 Installing the RRD43 CD-ROM Option

After you have prepared the system as described previously, install the RRD43 CD-ROM drive option as follows:

1. Check the storage slot on the drive-mounting shelf to verify that all spring-lock clips are in the locked position. If they are in the released position, install a lock-out screw to secure them down.
2. Identify the power cable connector that supplies power to the storage slot where the RRD43 CD-ROM drive will be installed.
3. Connect the power cable to the power connector on the back of the RRD43 CD-ROM option. See Figure 4.
4. Identify the SCSI cable connector that has a pull-tab number that corresponds to the storage slot where the RRD43 option will be installed.
5. Connect the SCSI cable to the back of the RRD43 option. See Figure 4.
6. Align the tabs on the mounting bracket with the cutouts in the drive-mounting shelf.
7. Tilt the drive slightly to slide the tabs in the drive-mounting shelf cutouts.

Figure 4 Connecting the Power and SCSI Cables



MLO-012259

8. Lower the CD-ROM into position and tighten the captive screw on the mounting bracket to secure the tape drive in place. Figure 5 shows the installation of an RRD43 option in the left storage slot of the lower drive-mounting shelf.

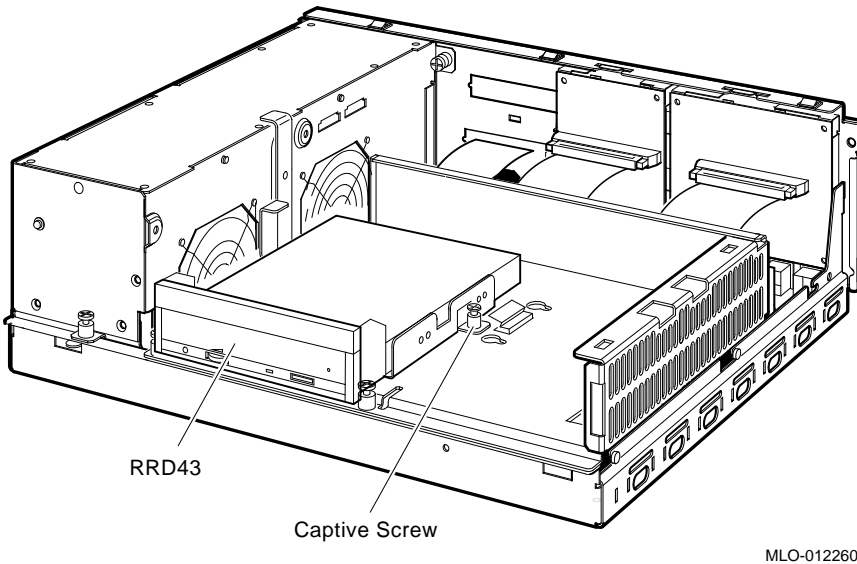
Replace the upper drive-mounting shelf (if removed) and the enclosure cover.

5 Diagnostic Support

The systems provide diagnostic support that tests the operation of an RRD43 CD-ROM drive option.

- If you are using a MicroVAX 3100 Model 30, 40, or 80 system, enter one of the following commands at the console prompt to test the operation of the RRD43 option:

Figure 5 Installing the RRD43 Option



MLO-012260

```
>>> T SCSI  
>>> T 10
```

- If you are using a MicroVAX 3100 Model 90 or VAX 4000 Model 100 system, enter the following command at the console prompt to test the operation of the RRD43 option:

```
>>> T E0
```

A successful pass of the test is indicated when the console displays the console prompt.

If the test fails, the LED display on the back of the system unit displays a code in the range A0 to A5 (hexadecimal), and the console terminal displays a hard error message containing the test number (10) and the test mnemonic (SCSI). The following is an example of an error printout.

```
?? 001 10 SCSI 0050
```

See your system maintenance manual for more information about the diagnostics.

6 Drive Specifications

Table 2 RRD43 Disc Drive Specifications

Overview	
Description	Half-height optical CD-ROM disc drive
Features	Photo CD capable/ can be used as an independent audio CD player
Media	Removable 5 1/4-inch compact disc
Capacity	600 MB
Form factor	5 1/4 in
Average access time	320 ms
Transfer rate	1X: 150 KB, 2X: 300 KB
Rotational speed	1X: Inner track = 530 rpm/Outer track = 200 rpm 2X: Inner track = 1060 rpm/Outer track = 400 rpm
Temperature	5°C (41°F) – 50°C (122°F) (operating) -10°C (14°F)—65°C (149°F) (nonoperating)
Relative humidity	8%–80%
Voltage	+5 VDC ±5%
Current	1X—+5 V: 950 mA; 2X—+5 V: 1.0 A
Power	<7 W @ 5 V (maximum)
Add-On Option Part Number	
RRD43-EK	Embedded RRD43 disc drive 1.5-inch brick, with mounting hardware for the MicroVAX 3100 and VAX 4000 Model 100 systems.
RRD43-FA	Tabletop RRD43 disc drive with cable kit and U.S. power cord.
RRD43-DG	Tabletop RRD43 disc drive with cable kit. Requires country-specific power cord.

(continued on next page)

Table 2 (Cont.) RRD43 Disc Drive Specifications

Field Replacable Units and Options

RRD43 drive	RRD43-AA
Test disc	30-23507-03

Documentation

<i>RRD43 CD-ROM Drive Installation Guide</i>	EK-RRD43-IN
<i>RRD43 CD-ROM Disc Drive Information for VAX 4000 Model 100 Systems</i>	EK-RRDCD-IN

How to Order Additional Documentation

Technical Support

If you need help deciding which documentation best meets your needs, call 800-DIGITAL (800-344-4825) and press 2 for technical assistance.

Electronic Orders

If you wish to place an order through your account at the Electronic Store, dial 800-234-1998, using a modem set to 2400- or 9600-baud. You must be using a VT terminal or terminal emulator set at 8 bits, no parity. If you need assistance using the Electronic Store, call 800-DIGITAL (800-344-4825) and ask for an Electronic Store specialist.

Telephone and Direct Mail Orders

From	Call	Write
U.S.A.	DECdirect Phone: 800-DIGITAL (800-344-4825) Fax: (603) 884-5597	Digital Equipment Corporation P.O. Box CS2008 Nashua, NH 03061
Puerto Rico	Phone: (809) 781-0505 Fax: (809) 749-8377	Digital Equipment Caribbean, Inc. 3 Digital Plaza, 1st Street Suite 200 Metro Office Park San Juan, Puerto Rico 00920
Canada	Phone: 800-267-6215 Fax: (613) 592-1946	Digital Equipment of Canada Ltd. 100 Herzberg Road Kanata, Ontario, Canada K2K 2A6 Attn: DECdirect Sales
International	-----	Local Digital subsidiary or approved distributor
Internal Orders ¹ (for software documentation)	DTN: 264-3030 (603) 884-3030 Fax: (603) 884-3960	U.S. Software Supply Business Digital Equipment Corporation 10 Cotton Road Nashua, NH 03063-1260
Internal Orders (for hardware documentation)	DTN: 264-3030 (603) 884-3030 Fax: (603) 884-3960	U.S. Software Supply Business Digital Equipment Corporation 10 Cotton Road Nashua, NH 03063-1260

¹Call to request an Internal Software Order Form (EN-01740-07).

Reader's Comments

RRD43 CD-ROM Disc Drive
Installation Guide for
MicroVAX 3100 and VAX 4000 Model 100 Systems
EK-RRDVX-IN. A01

Your comments and suggestions help us improve the quality of our publications.
Thank you for your assistance.

I rate this manual's:	Excellent	Good	Fair	Poor
Accuracy (product works as manual says)	<input type="checkbox"/>	<input type="checkbox"/>	<input type="checkbox"/>	<input type="checkbox"/>
Completeness (enough information)	<input type="checkbox"/>	<input type="checkbox"/>	<input type="checkbox"/>	<input type="checkbox"/>
Clarity (easy to understand)	<input type="checkbox"/>	<input type="checkbox"/>	<input type="checkbox"/>	<input type="checkbox"/>
Organization (structure of subject matter)	<input type="checkbox"/>	<input type="checkbox"/>	<input type="checkbox"/>	<input type="checkbox"/>
Figures (useful)	<input type="checkbox"/>	<input type="checkbox"/>	<input type="checkbox"/>	<input type="checkbox"/>
Examples (useful)	<input type="checkbox"/>	<input type="checkbox"/>	<input type="checkbox"/>	<input type="checkbox"/>
Index (ability to find topic)	<input type="checkbox"/>	<input type="checkbox"/>	<input type="checkbox"/>	<input type="checkbox"/>
Page layout (easy to find information)	<input type="checkbox"/>	<input type="checkbox"/>	<input type="checkbox"/>	<input type="checkbox"/>

I would like to see more/less _____

What I like best about this manual is _____

What I like least about this manual is _____

I found the following errors in this manual:

Page	Description
_____	_____
_____	_____
_____	_____

Additional comments or suggestions to improve this manual:

For software manuals, please indicate which version of the software you are using: _____

Name/Title _____ Dept. _____

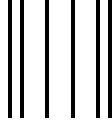
Company _____ Date _____

Mailing Address _____

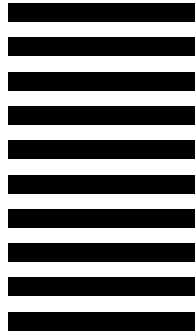
Phone _____

Do Not Tear - Fold Here and Tape

digital™



No Postage
Necessary
If Mailed
in the
United States



BUSINESS REPLY MAIL
FIRST CLASS PERMIT NO. 33 MAYNARD MASS.

POSTAGE WILL BE PAID BY ADDRESSEE

DIGITAL EQUIPMENT CORPORATION
Information Design and Consulting
PKO3-1/D30
129 PARKER STREET
MAYNARD, MA 01754-2198



Do Not Tear - Fold Here