

RF Series Integrated Storage Element

Installation in BA200 Series Enclosures

Order Number: EK-RF72D-IM-006

April 1993

The information in this document is subject to change without notice and should not be construed as a commitment by Digital Equipment Corporation. Digital Equipment Corporation assumes no responsibility for any errors that may appear in this document.

No responsibility is assumed for the use or reliability of software on equipment that is not supplied by Digital Equipment Corporation or its affiliated companies.

Restricted Rights: Use, duplication, or disclosure by the U.S. Government is subject to restrictions as set forth in subparagraph (c)(1)(ii) of the Rights in Technical Data and Computer Software clause at DFARS 252.227-7013.

© Digital Equipment Corporation 1993.

All Rights Reserved.
Printed in U.S.A.

The following are trademarks of Digital Equipment Corporation: DEC, MicroVAX, MSCP, Q-bus, TK, VMS, and the DIGITAL logo.

Contents

About This Manual	ix
1 General Information	
RF Series Integrated Storage Elements	1-1
Introduction	1-1
ISE Overview	1-1
DSSI Interface	1-2
RF31, RF31F, RF31T, RF35, RF36 ISE	1-2
RF72, RF73, RF74 ISE	1-5
Enclosures	1-6
Overview	1-6
Mounting Mass Storage Devices	1-6
BA213 Enclosure	1-7
BA215 Enclosure	1-8
R215F Enclosure	1-9
2 Unpacking Information	
Unpacking and Inspecting	2-1
In this Chapter	2-1
Checking for Damage	2-1
Unpacking Instructions	2-1
RF31E-SF, RF31F-SF Option Kits	2-2
RF31T-SF, RF35E-SF, RF36E-SF Option Kits	2-2
RF72E-SF, RF73E-SF, RF74E-SF Option Kits	2-5
Inspection	2-6

3 Controls and Indicators

ISE Controls and Indicators	3-1
In this Chapter	3-1
Controls and Indicators on the Drive Module	3-2
Switches and LEDs	3-2
DSSI Node ID Switches	3-2
READY LED	3-6
FAULT LED	3-6
Controls and Indicators on the OCP	3-7
OCP	3-7
Determining the DSSI Address	3-7
BA200 Series OCP	3-8
OCP Indicators and Switches	3-8
Assigning the DSSI Node ID	3-10
Spare Plugs	3-10
Removal	3-10
Insertion	3-10
Rules When Assigning IDs	3-10

4 Installation Procedure

Installing the ISE	4-1
In this Chapter	4-1
Installation Procedure, BA213 Enclosure	4-2
BA213 Enclosure	4-2
Removing the Front Panel	4-3
Accessing the Mass Storage Bays	4-5
Installing Shock Mounts	4-7
Installing the ISE	4-9
Installation Procedure, BA215 Enclosure	4-13
BA215 Enclosure	4-13
Removing the Front Panel	4-13
Accessing the Top Mass Storage Bays	4-14
Installing the ISE	4-15
DSSI Bus, Power, OCP Connectors	4-17
Installation Procedure, R215F Enclosure	4-19
R215F Enclosure	4-19
Removing the Front Panel	4-19
Accessing the Top Mass Storage Bays	4-20
Accessing the Bottom Mass Storage Bay	4-23
Installing the ISE	4-24

5 Completing the Installation

ISE Checks	5-1
In this Chapter	5-1
POST	5-2
Executing POST	5-2
When POST Succeeds	5-2
When POST Fails	5-2
Starting POST	5-2
POST Errors	5-3
Resolving a Problem	5-3
Using PARAMS	5-4
Setting ISE Parameters	5-4
Accessing PARAMS	5-4
Using VMS	5-4
Exiting PARAMS	5-5
Using Console Commands	5-5
Q-bus Adapters	5-5
Embedded Adapters	5-6
Using MDM	5-6
Setting the ISE Allocation Class	5-8
Overview	5-8
Multihost Systems	5-8
Procedure	5-8
Setting the MSCP Unit Number	5-10
Overview	5-10
Procedure	5-10
Setting the ISE Node Name	5-11
Overview	5-11
Example	5-11
Testing the ISE	5-12
Accessing DRVTST	5-12
Running DRVTST	5-12
DRVTST Example	5-12
Error Messages	5-14
Error Descriptions	5-14

6 Troubleshooting Procedures

Performing Troubleshooting Procedures	6-1
In this Chapter	6-1
Failure Indications	6-1
Troubleshooting Procedure	6-2

Index

Figures

1-1	RF31/RF31F Integrated Storage Element	1-3
1-2	RF35/RF36/RF31T Integrated Storage Element	1-4
1-3	RF72/RF73/RF74 Integrated Storage Element	1-5
1-4	BA213 Enclosure	1-7
1-5	BA215 Enclosure	1-8
1-6	R215F Configuration (Example)	1-9
2-1	RF31E-SF Option Kit	2-3
2-2	RF35E-SF/RF36E-SF Option Kit	2-4
2-3	RF72E-SF, RF73E-SF, and RF74E-SF Option Kit	2-5
3-1	RF31/72/73/74 Drive Module Switch and LED Locations	3-3
3-2	RF35/36/31T Drive Module Option Connector and LED Locations	3-4
3-3	BA200 Series Operator Control Panel for DSSI ISEs	3-8
4-1	BA213 Enclosure with DSSI ISEs	4-3
4-2	BA213 Front Cover Removal	4-4
4-3	Removing the Media Face Plate and OCP	4-6
4-4	Attaching the Metal Ground Strip	4-8
4-5	RF35/RF36/RF31T, Installing the Adapter Plate	4-10
4-6	RF31, Installing the Slide Rails	4-11
4-7	DSSI Bus, Power, and OCP Connectors (RF31/RF31F and RF72/RF73/RF74)	4-17
4-8	DSSI Bus, Power, and OCP Connectors (RF35/RF36/RF31T)	4-18
4-9	Removing the Top Media Face Plate	4-21
4-10	R215F Shipping Bracket Screws	4-22
4-11	Removing the Bottom Media Face Plate	4-23

Tables

2-1	Parts List for the RF31E-SF and RF72/73/74E-SF Option Kits	2-6
2-2	Parts List for the RF35E-SF/RF36E-SF/RF31T-SF Option Kits	2-7
3-1	RF31/31F, RF72, RF73, and RF74 DSSI Node ID Selection	3-5
3-2	RF35/36/31T DSSI IDs	3-5
3-3	Description of OCP Indicators and Switches	3-9

About This Manual

Introduction

This manual provides information and procedures for installing the RF31/31F/31T, RF35, RF36, RF72, RF73 and RF74 integrated storage elements (ISEs) into the BA213, BA215, and R215F enclosures.

Note

The RF31F ISE is a high-speed, lower capacity version of the RF31 ISE. Unless otherwise specified, references to the RF31 ISE in this manual apply to both the RF31 and the RF31F ISEs.

The RF31T is a lower capacity RF35. Unless otherwise specified, references to the RF35 also apply to the RF31T.

Intended Audience

This document is intended for Digital Services personnel or qualified self-maintenance customers only.

**For the
Customers**

Software Backup

It is the customer's responsibility to perform a software backup prior to the arrival of Digital Services personnel at the site. This step is important to ensure that data is not lost during any installation process.

If you are not qualified to install the ISE, call Digital Services to schedule an installation.

Installation

To install the ISE, follow the instructions and procedures outlined in this manual for your system. If you have any difficulty performing the installation, call Digital Services for assistance.

Documents

To order documents, contact your Digital Equipment Corporation representative.

**For Digital
Services
Personnel**

DSSI Storage Adapter

The ISE can be embedded within any MicroVAX system that has a DSSI storage adapter installed. The procedures outlined in this manual can be followed if an adapter and all necessary DSSI cabling are in place. Refer to your system or adapter installation manual for instructions on installing, configuring, and cabling a DSSI subsystem.

Installation

To install the ISE, follow the installation procedures outlined in this manual for the appropriate system. When you have completed the installation, submit a LARS form. For information on completing this form, contact your unit manager.

Documents

To order documents, contact your Digital Equipment Corporation representative.

1

General Information

RF Series Integrated Storage Elements

- Introduction** This chapter describes the RF31, RF31F, RF31T, RF35, RF36, RF72, RF73, and RF74 integrated storage elements (ISEs) and the BA200 enclosure.
- ISE Overview** The RF31 ISE¹ is a half-height, 5 ¼-inch, fixed-disk mass storage device. The RF35/RF36/RF31T ISE² is a 3 ½-inch, fixed-disk mass storage device. The RF72/RF73/RF74 ISE is a full-height, 5 ¼-inch, fixed-disk mass storage device.
- The RF31, RF31F, RF31T, RF35, RF36, RF72, RF73, and RF74 integrated storage elements are part of a family of storage devices based on the Digital Storage Architecture (DSA) using the DSSI bus and interface. The term **integrated storage element**, or ISE, applies to any DSSI storage device.

¹ A high-speed, lower-capacity version of the RF31 ISE is also available: the RF31F ISE. Unless otherwise specified, references to the RF31 ISE in this manual apply to the RF31 and the RF31F ISEs.

² The RF31T is a lower-capacity version of the RF35 ISE. Unless otherwise specified, references to the RF35 ISE apply to the RF31T.

An ISE contains the following:

- On-board DSSI bus controller
- MSCP server
- Drive
- Control electronics

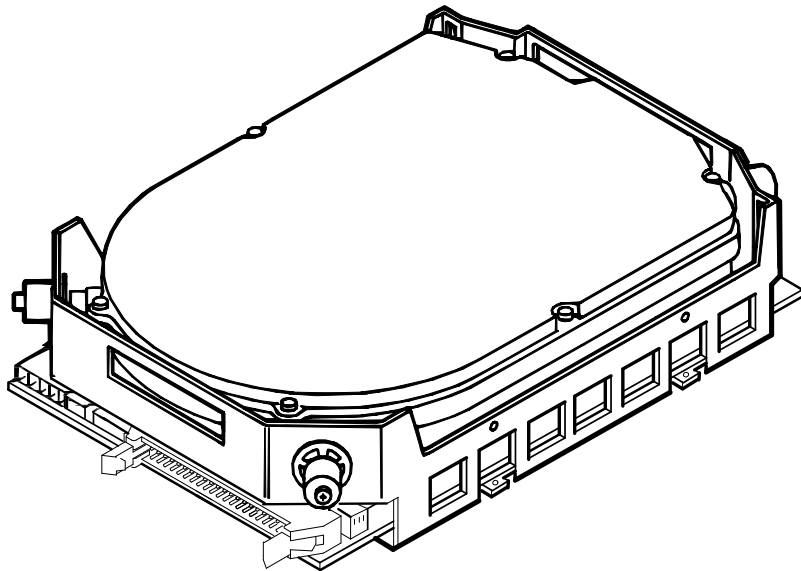
DSSI Interface

The DSSI interface supports up to seven ISEs through a single cable to an adapter in the host. DSSI adapters can be adapters embedded within a CPU module (for example, the KA640 module) or they can be separate modules, such as the KFQSA adapter.

RF31, RF31F, RF31T, RF35, RF36 ISE

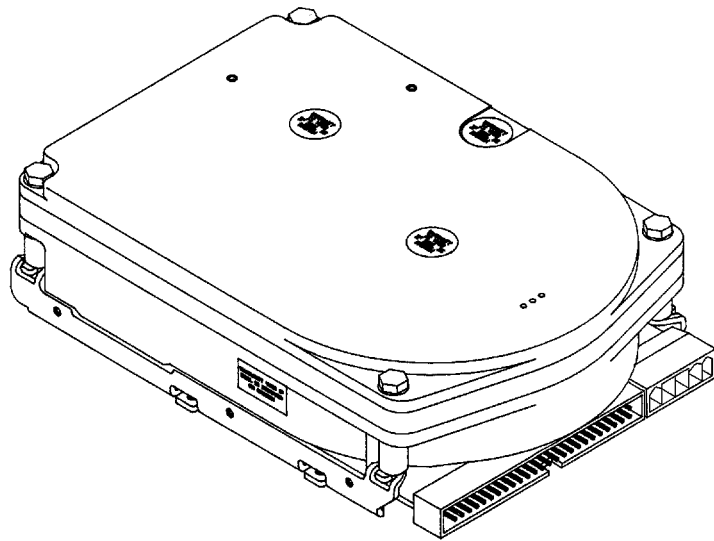
Figures 1–1 and 1–2 show the RF31/RF31F and RF31T/RF35 /RF36 integrated storage elements (ISEs):

Figure 1–1 RF31/RF31F Integrated Storage Element



SHR_X1075_89_SCN

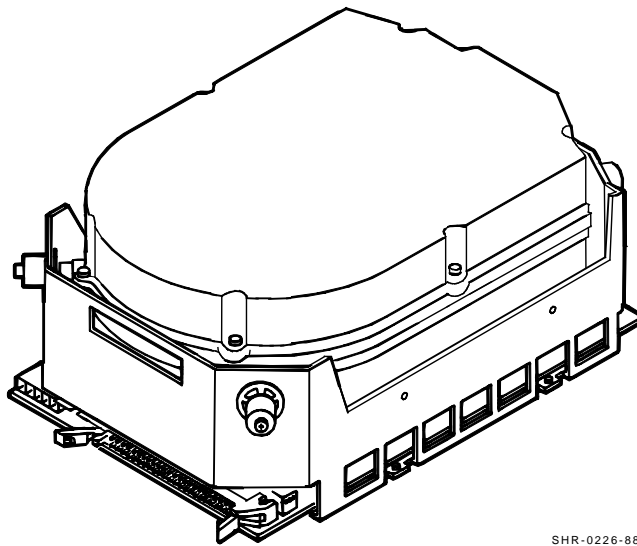
Figure 1–2 RF35/RF36/RF31T Integrated Storage Element



**RF72, RF73,
RF74 ISE**

Figure 1-3 is an illustration of the RF72/RF73/RF74 integrated storage element:

Figure 1-3 RF72/RF73/RF74 Integrated Storage Element



SHR-0226-88
SHR_X1074_89_SCN

Enclosures

Overview

The remainder of the manual covers the installation of the ISE into the BA213, BA215, and R215F enclosures.

Mounting Mass Storage Devices

Mass storage devices are mounted sideways on shock-mounting hardware, with a sliding track attached to each side of the mass storage device. One shock-resistant support attaches to the top of the mass storage area, and the other support attaches to the bottom of the mass storage area. The supports are attached by two screws enclosed in rubber shock bushings. The shock-mounting hardware varies for each ISE model.

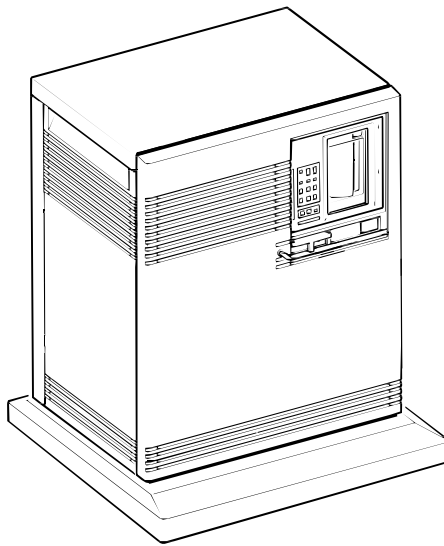
Note

Read the screw length warning labels on the ISE.

**BA213
Enclosure**

The BA213 enclosure (Figure 1-4) has a mass storage bay above the card cage that contains a TK70 or TK50 tape drive and up to three DSSI ISEs.

Figure 1-4 BA213 Enclosure

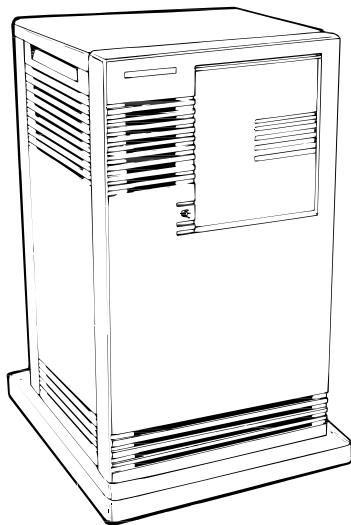


SHR-0215-88
SHR-X0060-90-SCN

BA215 Enclosure

The BA215 enclosure (Figure 1-5) has a mass storage bay that extends across the top of the enclosure. It contains a TK70 or TK50 tape drive, and one full-height, or two half-height, or two 3 ½-inch ISEs.

Figure 1-5 BA215 Enclosure



MLO-001812
SHR-X0065-90-CPG

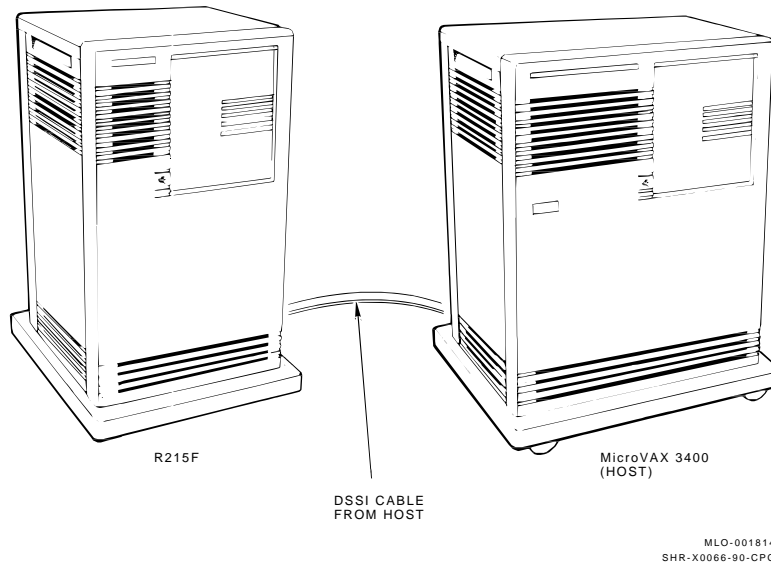
R215F Enclosure

The R215F enclosure is a BA215 enclosure with the card cage removed, and an additional mass storage bay in its place. It has three mass storage bays:

- Two bays in the top of the cabinet
- One bay in the middle of the cabinet

Each mass storage bay can hold one ISE. Figure 1-6 is a typical configuration that includes an R215F enclosure and a MicroVAX 3400 in a BA213 enclosure.

Figure 1-6 R215F Configuration (Example)



2

Unpacking Information

Unpacking and Inspecting

In this Chapter

This chapter covers unpacking and inspecting the ISE.

Checking for Damage

Unpacking the ISE consists of removing it from the shipping container and inspecting it for damage. Report any damage to the shipper, and notify your Digital Equipment Corporation representative.

Unpacking Instructions

1. Before opening any container, check for external damage such as dents, holes, or crushed corners.
2. Open and unpack the shipping container. Remove the ISE from the conductive plastic bag.

Caution

When handling the ISE, observe all precautions to be sure that you do not damage the device by accidental electrostatic discharge. Handle the ISE with care. Excessive shock can cause damage to the ISE.

Note

Shipping containers and packing materials should be retained for future use.

**RF31E-SF,
RF31F-SF
Option Kits**

Figure 2-1 shows the parts included in the RF31E-SF option kit. The parts can be checked against the parts list found in Table 2-1.

**RF31T-SF,
RF35E-SF,
RF36E-SF
Option Kits**

The RF31T-SF, RF35E-SF, and RF36E-SF (Figure 2-2) option kit contains the same parts except for:

- Adapter bracket
- Screws for above
- OCP cable

The parts can be checked against the parts list found in Table 2-2.

Figure 2-1 RF31E-SF Option Kit

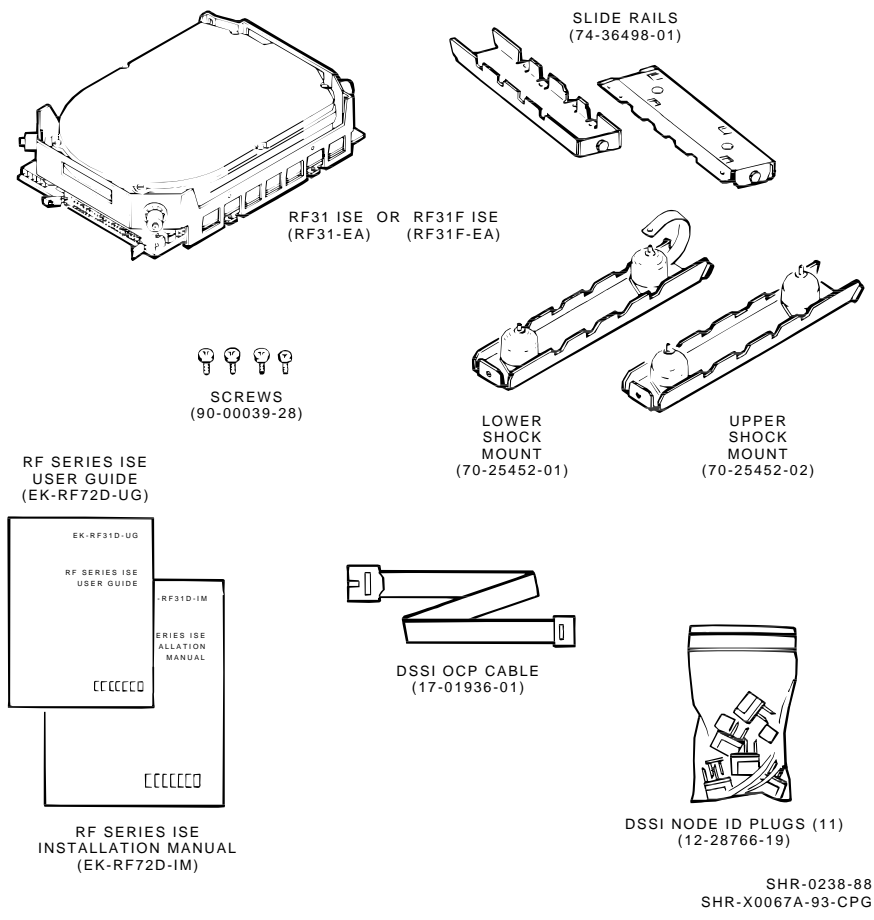
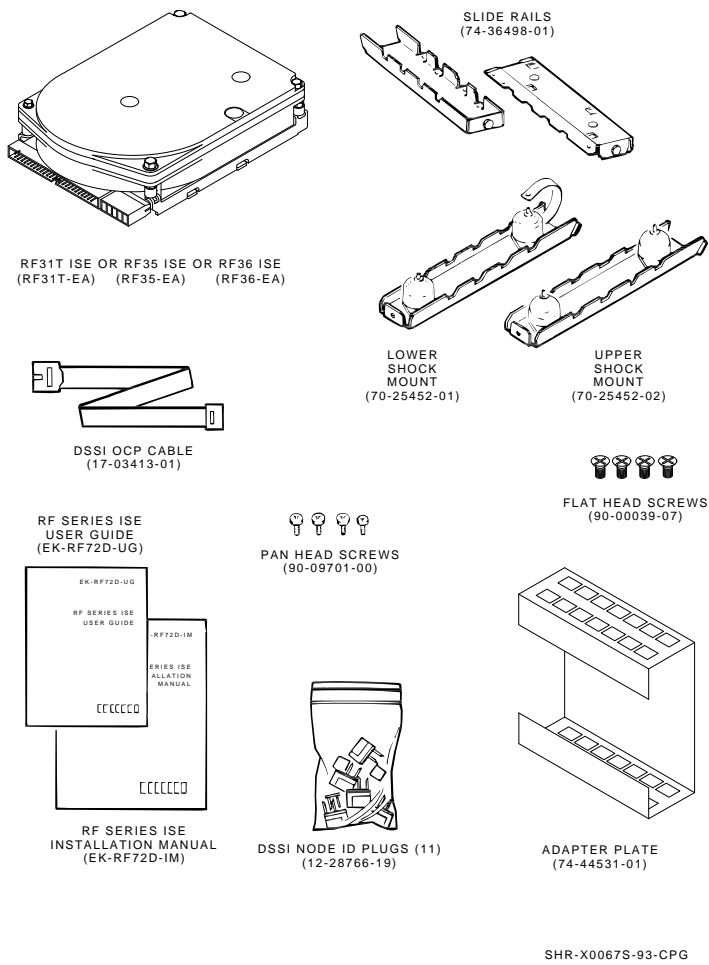


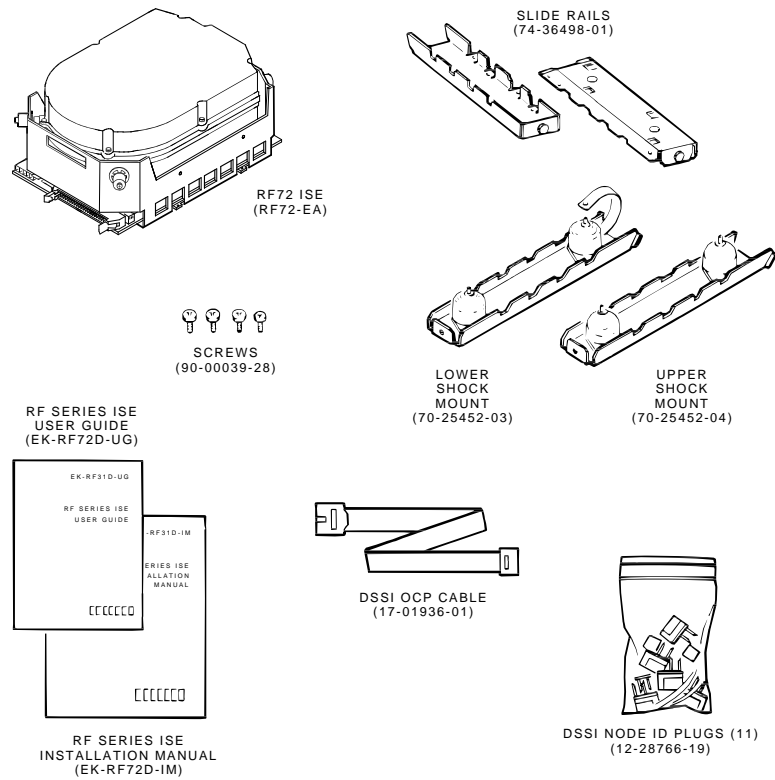
Figure 2-2 RF35E-SF/RF36E-SF Option Kit



**RF72E-SF,
RF73E-SF,
RF74E-SF
Option Kits**

Figure 2-3 shows the parts included in the RF72E-SF, RF73E-SF, and RF74E-SF option kit. The parts can be checked against the parts list found in Table 2-1.

Figure 2-3 RF72E-SF, RF73E-SF, and RF74E-SF Option Kit



SHR-X0169-93

Inspection

1. Inspect the ISE for physical damage.
2. Check the contents against the bill of materials. Table 2–1 lists the parts supplied with the RF31E-SF, RF72E-SF, RF73E-SF, and RF74E-SF (field installed) option kits. Table 2–2 lists the parts supplied with the RF31T-SF, RF35E-SF, and RF36E-SF (field installed) option kits.

Table 2–1 Parts List for the RF31E-SF and RF72/73/74E-SF Option Kits

Part Numbers		Quantity	Description
RF31E-SF	RF72E-SF RF73E-SF RF74E-SF		
RF31-EA ¹	RF7x-EA	1	ISE without skid plate
70-25452-02	70-25452-04	1	Upper shock mount
70-25452-01	70-25452-03	1	Lower shock mount
	74-36498-01	2	Slide rails
	90-00039-28	4	Slide rail mounting screws
	17-01936-01	1	DSSI OCP cable (10-conductor)
	12-28766-19	10	DSSI node ID plugs
	EK-RF72D-IM	1	Installation Manual
	EK-RF72D-UG	1	User Guide

¹RF31F-EA for the RF31F ISE

Table 2–2 Parts List for the RF35E-SF/RF36E-SF/RF31T-SF Option Kits

Part Numbers			Quantity	Description
RF35E-SF	RF36E-SF	RF31T-SF		
RF35-EA	–	–	1	ISE without skid plate
–	RF36-EA	–	1	ISE without skid plate
–	–	RF31T-EA	1	ISE without skid plate
	70-25452-02		1	Upper shock mount
	70-25452-01		1	Lower shock mount
	74-44531-01		1	3.5-inch plate adapter
	74-36498-01		2	Slide rails
	90-00039-07		4	Slide rail mounting screws
	90-09701-00		4	Adapter plate mounting screws
	17-03413-01		1	OCP cable (10-conductor)
	12-28766-19		11	DSSI node ID plugs
	EK-RF72D-IM		1	Installation Manual
	EK-RF72D-UG		1	User Guide

3

Controls and Indicators

ISE Controls and Indicators

In this Chapter

This chapter describes:

- Controls and indicators associated with the operation of the ISE
- Assigning the DSSI Node ID

These controls and indicators are located in two places:

1. On the ISE drive module
2. On the system enclosure operator control panel (OCP)

Controls and Indicators on the Drive Module

Switches and LEDs

The RF31/31F RF72, RF73, RF74 ISEs have two LEDs and a DIP switchpack, containing three switches, mounted on the edge of the drive module.

The RF35, RF36, and RF31T ISEs have two LEDs and an options connector mounted on the edge of the drive module. Jumpers are inserted into this connector. This connector is located at the opposite end of the DSSI connector.

The switches on the RF31/31F/72/73/74 and option connector on the RF35/36/31T provide a means of setting the DSSI node ID if an OCP is not connected to the drive, or if the OCP fails.

Figure 3-1 shows the location of the switches and LEDs on the RF31/31F/72/73/74 drive module. Figure 3-2 shows the location of the connectors and jumpers on the RF35/36/31T drive module.

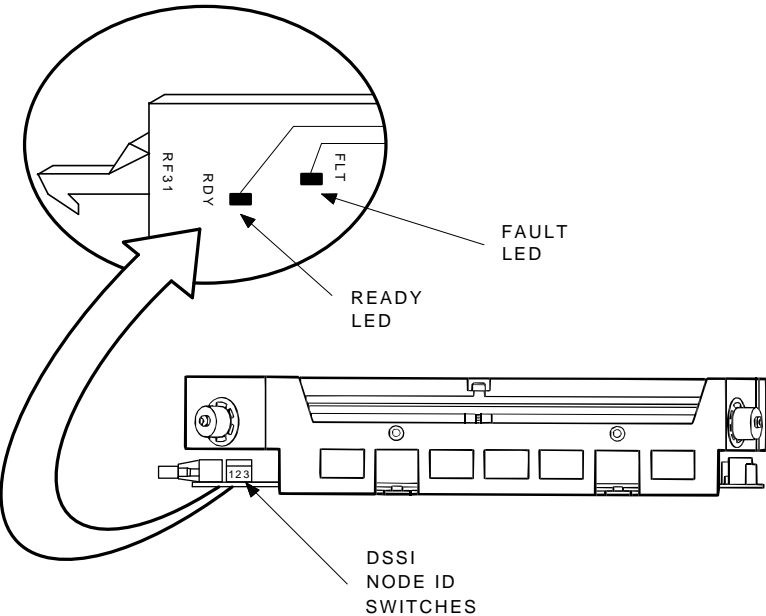
DSSI Node ID Switches

Each device on the DSSI bus must be assigned a unique DSSI node ID during installation. This is done by setting the 3-position DIP switch (Table 3-1) or the jumpers (Table 3-2) to the binary equivalent of the desired ID number.

Note

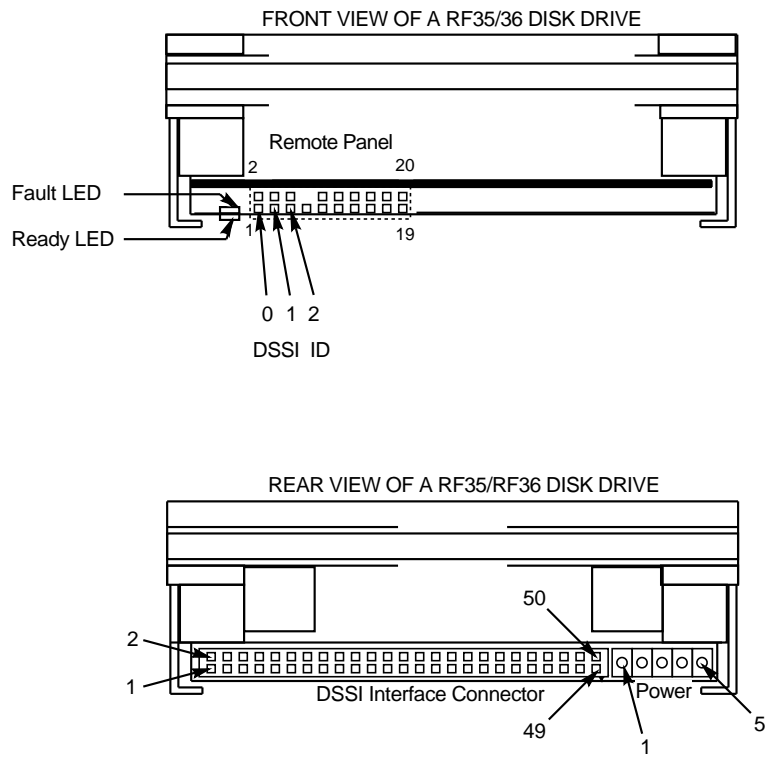
The DIP switches are ignored when the ISE is connected to an operator control panel (OCP).

Figure 3-1 RF31/72/73/74 Drive Module Switch and LED Locations



MA-X0967-88
SHR_X1065_89

Figure 3–2 RF35/36/31T Drive Module Option Connector and LED Locations



RF3x_front_back-rags

Table 3–1 RF31/31F, RF72, RF73, and RF74 DSSI Node ID Selection

DSSI Node ID Address	Switch Positions ¹		
	1	2	3
0	Down	Down	Down
1	Down	Down	Up
2	Down	Up	Down
3	Down	Up	Up
4	Up	Down	Down
5	Up	Down	Up
6	Up	Up	Down
7 ²	Up	Up	Up

¹Up is toward the HDA, down is toward the module.

²DSSI address 7 is normally assigned to a host adapter.

Table 3–2 RF35/36/31T DSSI IDs

DSSI Node ID Address	Jumper ¹		
	ID2	ID1	ID0
0	Out	Out	Out
1	Out	Out	In
2	Out	In	Out
3	Out	In	In
4	In	Out	Out
5	In	Out	In
6	In	In	Out
7 ²	In	In	In

¹In = inserted, Out = removed

²DSSI address 7 is normally assigned to a host adapter.

READY LED

The READY LED is green. When the ISE is powered up, this LED is lit. After successful completion of the power-on self-test (POST), the LED turns off until the ISE is read/write ready.

The READY LED turns off during a seek until the drive heads are on cylinder and read/write ready. Then the LED is lit again for as long as the heads remain on track. Therefore, during read or write operations, the READY LED flashes on and off rapidly.

FAULT LED

The FAULT LED is red for RF31/31F and yellow for RF35, RF36, RF31T, RF72, RF73, and RF74. It is lit when a read/write error or serious physical error condition is detected. Initially, when the ISE is powered up, this LED is lit. Upon the successful completion of POST, this LED turns off.

Controls and Indicators on the OCP

OCP

When the ISE is installed in a BA213, BA215, or R215F enclosure, the operator interface is a control panel on the enclosure. Figure 3-3 shows the BA200 series OCP for DSSI devices. Its functions are described in Table 3-3. Each RF series ISE is connected to the OCP through a 10-conductor ribbon cable.

Determining the DSSI Address

The OCP has three columns of controls and indicators. The standard convention is to use the right column for ISE 0, the center column for ISE 1, and the left column for ISE 2. Note, however, that the DSSI node ID address is determined by the DSSI node ID plug rather than its position on the OCP. The address that will be assigned to the ISE is labeled on the plug.

Note

The DSSI address assigned by the plug is read only during the power-up sequence. If you change plugs without reinitializing the ISE by a power-up or reset, the new DSSI address is not recognized.

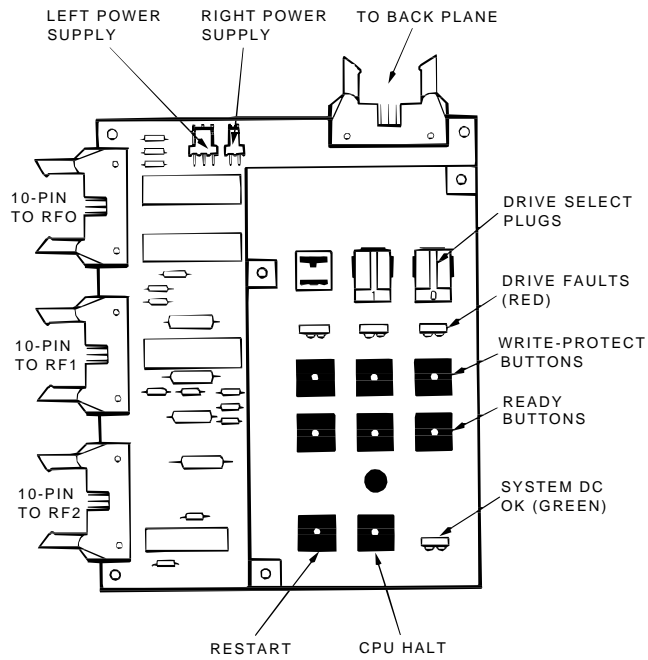
Caution

Do not install two plugs with the same number on the OCP.

**BA200 Series
OCP**

The following shows the BA200 series OCP for DSSI ISEs:

Figure 3-3 BA200 Series Operator Control Panel for DSSI ISEs



MA-X0965-88
SHR_X1053_88_SCN

**OCP Indicators
and Switches**

The following table describes the function of OCP indicators and switches:

Table 3–3 Description of OCP Indicators and Switches

Control/ Indicator	Setting	Function
System DC OK	On	DC power is within regulation.
	Off	DC power not present or not within regulation.
DSSI node ID plug	Installed	Sets DSSI node ID to the number specified on the plug (normal operating position). Plug <i>must</i> be installed if ISE is connected to the OCP.
	Removed	DSSI address undefined. If ISE is present, FAULT LED flashes rapidly.
FAULT LED	On	Fault condition is present.
	Off	No fault (normal operating condition).
	Flashing (5 Hz)	Module-to-HDA calibrations are being performed.
	Flashing (10 Hz)	OCP failure or DSSI node ID plug missing.
Write-Protect	Out LED off	The system can read and write to the disk (normal operating position).
	In LED on	The system cannot write to the disk. The system can still read from the disk.
Ready	Out LED on	ISE is on line (normal operating position). The system can read from and write to the disk.
	In LED off	ISE is off line. The system cannot read from or write to the disk.
CPU Halt	In LED on	The CPU is in console I/O mode. The console emulation program is running.
	Out LED off	The CPU can run system software (normal operating position).
Restart	Pressed	Reinitializes system state. Work in progress is lost.

Assigning the DSSI Node ID

- Spare Plugs** Spare DSSI node ID plugs are supplied with your system. Use these spare plugs to renumber your DSSI system if you need to reconfigure due to adding or removing ISEs, or if you create a multihost configuration.
- Removal** The DSSI node ID plugs have prongs on the back that indicate the bus node number (and by default, the unit number) of the ISE. To remove a DSSI node ID plug, grasp it firmly and pull it straight out.
- Insertion** To insert a new plug, align the two center prongs with the two center slots and press the plug into the slots.
- Rules When Assigning IDs** Use the following rules when assigning DSSI node IDs:
- For each DSSI bus, each ISE on the bus must have a unique DSSI node ID.
 - By convention, ISEs are numbered in increasing order from right to left, and from top to bottom.
 - Use a blank DSSI node ID plug where no ISE is present.

Note

If you change the DSSI node ID plugs while the system is operating, you must turn off the system and then turn it back on for the new plug positions to take effect.

4

Installation Procedure

Installing the ISE

In this Chapter

This chapter describes how to install the ISE into the following enclosures:

- BA213
- BA215
- R215F

Note

Only qualified service personnel should perform this installation procedure. Before beginning the installation, make sure that the system manager has backed up all files. Have the system manager perform a shutdown of the operating system before turning power off.

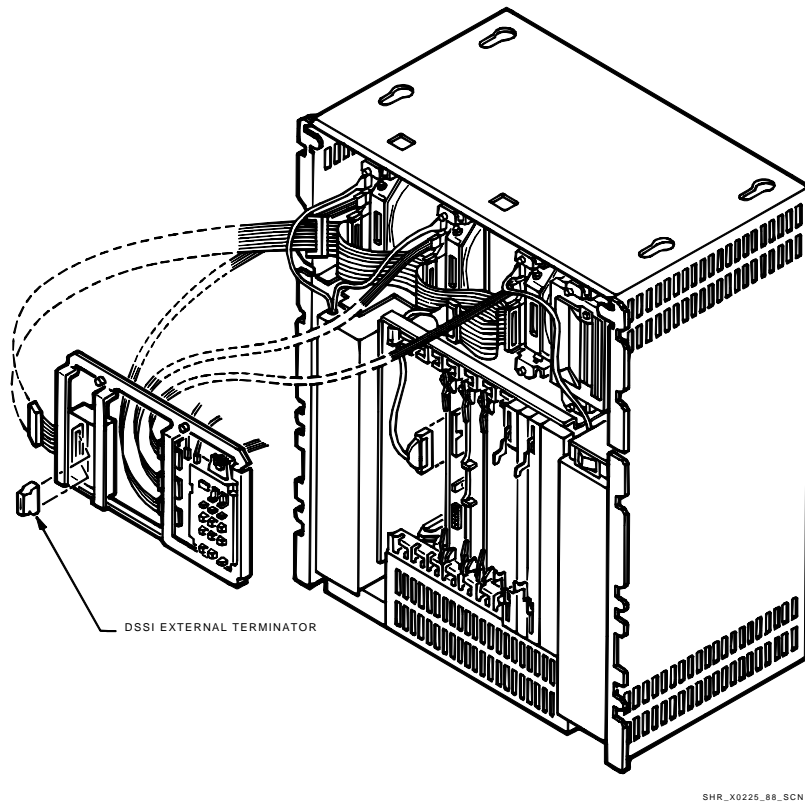
Installation Procedure, BA213 Enclosure

BA213 Enclosure

The BA213 enclosure can contain up to three ISEs and a tape storage device. Figure 4–1 shows a standard DSSI configuration in a BA213 enclosure.

To install an ISE in a BA213 enclosure, use the following procedure. This procedure is written on the assumption that either a KA640 module or a KFQSA adapter module is already installed in the system, and that DSSI cabling is in place. Refer to your system or adapter documentation for instructions on installing these devices.

Figure 4-1 BA213 Enclosure with DSSI ISEs



Removing the Front Panel

The front panel has a 3-position lock that limits access to system controls. The controls are located behind a smoked plastic window.

Remove the front panel as follows:

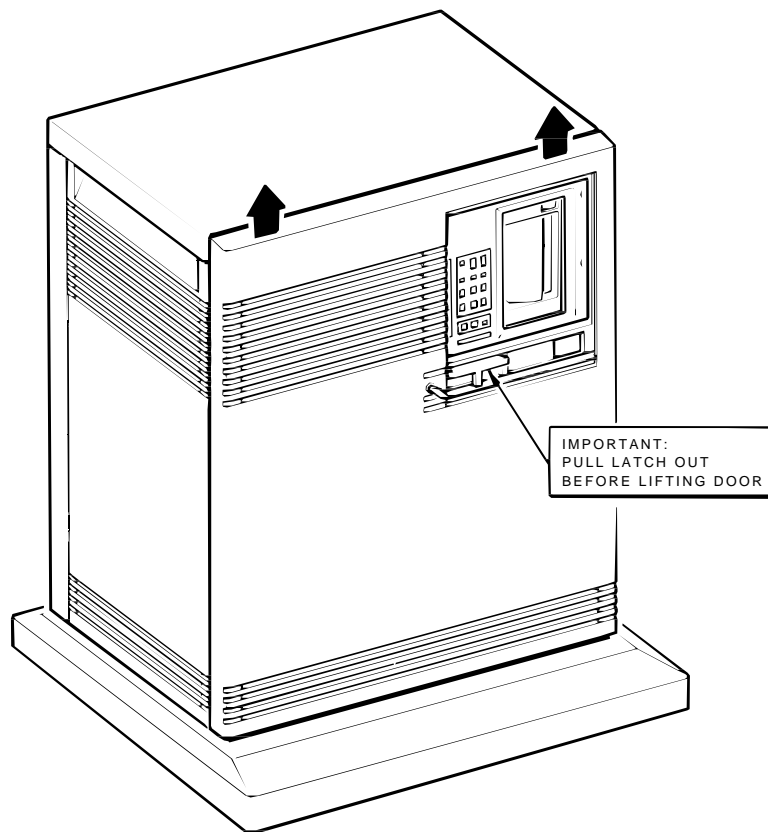
1. Insert the key into the lock on the front panel. Turn the key to the bottom position (fully clockwise).
2. Slide the window all the way down.
3. Turn the power switch off (to the right) and unplug the ac power cord from the wall outlet.

4. Pull the release latch outward, lift the front panel, and remove it from the system (Figure 4-2).

Caution

Do not use a screwdriver or other tool to pry open the release latch. This may damage the latch.

Figure 4-2 BA213 Front Cover Removal



MA-X0964-88
SHR-X0061-90-SCN

Accessing the Mass Storage Bays

Use the following procedure to access the mass storage bays:

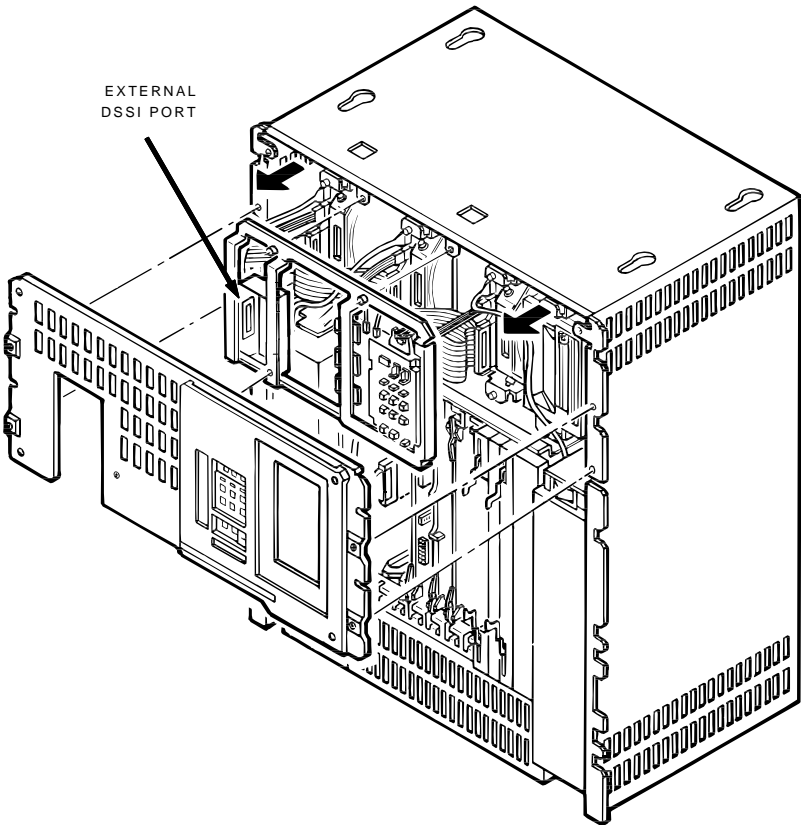
1. Remove the DSSI external terminator or DSSI cable.
2. Remove the media face plate from the front of the mass storage bays by releasing the five captive screws. Remove the faceplate from the enclosure (Figure 4-3).
3. To remove the operator control panel assembly on the BA213, follow these steps:
 - a. Release the two captive screws that hold the panel to the enclosure, tilt the panel forward, and label and unplug all cables connected to the OCP.

Caution

To prevent cable damage, do not allow the panel to drop free and hang suspended by its attached cables.

- b. The internal DSSI ribbon cable is connected to the external DSSI port by means of a black plastic stud. This stud is located behind the external DSSI port on the upper left of the panel (Figure 4-3). Pull out on the stud to release it, and disconnect the internal DSSI ribbon cable.
 - c. Lift out the panel, and set it aside.

Figure 4-3 Removing the Media Face Plate and OCP



MA-X0963-88
SHR-X0062-93-SCN

Installing Shock Mounts

Install the upper and lower shock mounts in the mass storage bay using the following procedure:

Caution

Make sure you install the shock mounts shipped with the option kit. Check the part number against Table 2-1 and Table 2-2. Installing the wrong shock mounts may result in damage to the ISE.

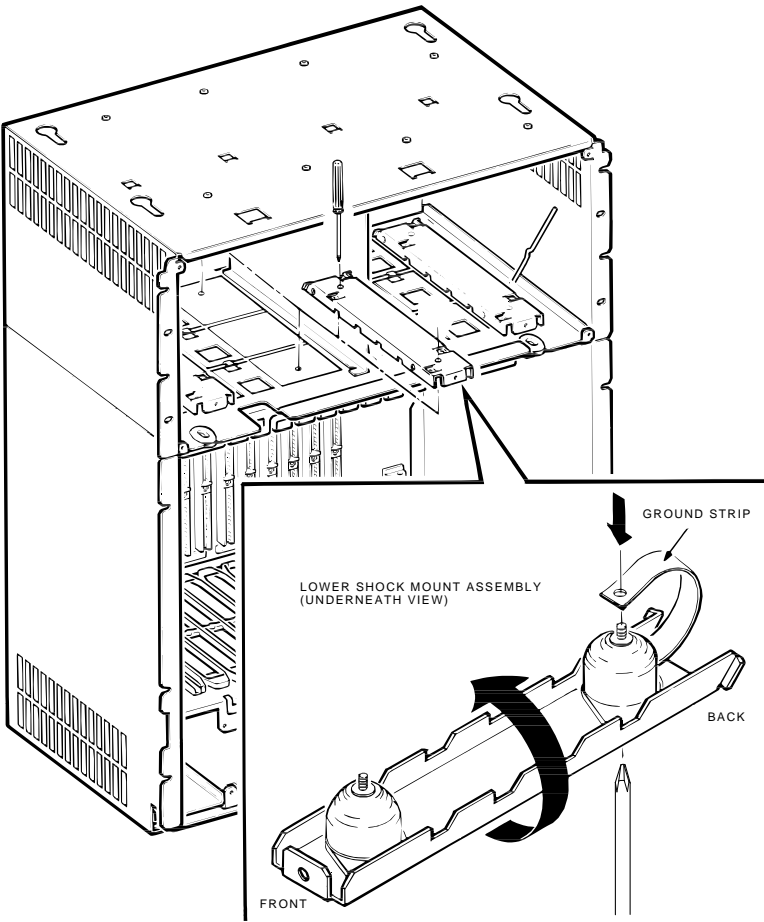
1. The shipping brackets inside the mass storage bay(s) should have been released during installation of the unit. If they were not released, make sure the four orange, plain-slotted screws are loosened to release the shipping brackets. Retighten the screws against the frame after the brackets are released.

Caution

Failure to release the shipping brackets before use may result in damage to the ISEs.

2. Using a short Phillips screwdriver, attach the upper shock mount assembly to the screw holes in the top of the appropriate mass storage bay. Make sure the open end of the shock mount is facing the rear of the mass storage bay.
3. Holding the lower shock mount assembly, place the hole on the metal ground strip (located on the rear of the assembly) over the exposed threads of the rear screw (Figure 4-4).
4. Using a short Phillips screwdriver, attach the lower shock mount assembly to the two screw holes in the bottom of the appropriate mass storage bay. Make sure the open end of the shock mount is facing the rear of the mass storage bay.

Figure 4-4 Attaching the Metal Ground Strip



MA-0585-87
SHR-X0063-90-CPG

Installing the ISE

Caution

Handle the ISE with care. Excessive shock can cause damage to the HDA.

Do not handle the ISE unless you are wearing an antistatic wrist strap that is correctly grounded. When working on the ISE, place it on an antistatic pad. Use the static-protective field service kit (PN 29-26246).

The RF35/RF36/RF31T ISE must be fitted with an adapter plate (PN 74-44531-01) before it can be installed in a BA200 series enclosure. To install this adapter plate:

1. Orient the drive (1A) (Figure 4-5). Then connect the 20-pin end of the front panel cable (2) (PN 17-03413-01) into the 20-pin socket on the drive module.
2. With the front panel cable between the drive HDA and the inside of the adapter plate (3), slide the drive in the adapter plate as shown. Secure with the four panhead screws (4) (PN 90-09701-00). Be sure not to twist or bend the front panel cable.
3. Attach the top and bottom slide rails (5) to the adapter plate with the four flathead screws (6) (PN 90-00039-07).
4. Now orient the drive so that the power connector (1B), while facing you, is at the top. Also be sure that the drive module is facing right. This is the opposite of the way that 5 ¼-inch drives are installed in the enclosure.

Use the following procedure to install the ISE:

1. If you are installing an RF35, RF36, or RF31T, go to step 2. In all other cases, install the slide rails using the four screws provided (Figure 4-6).

Caution

Make sure you use the screws provided. Longer screws may damage the ISE.

Figure 4-5 RF35/RF36/RF31T, Installing the Adapter Plate

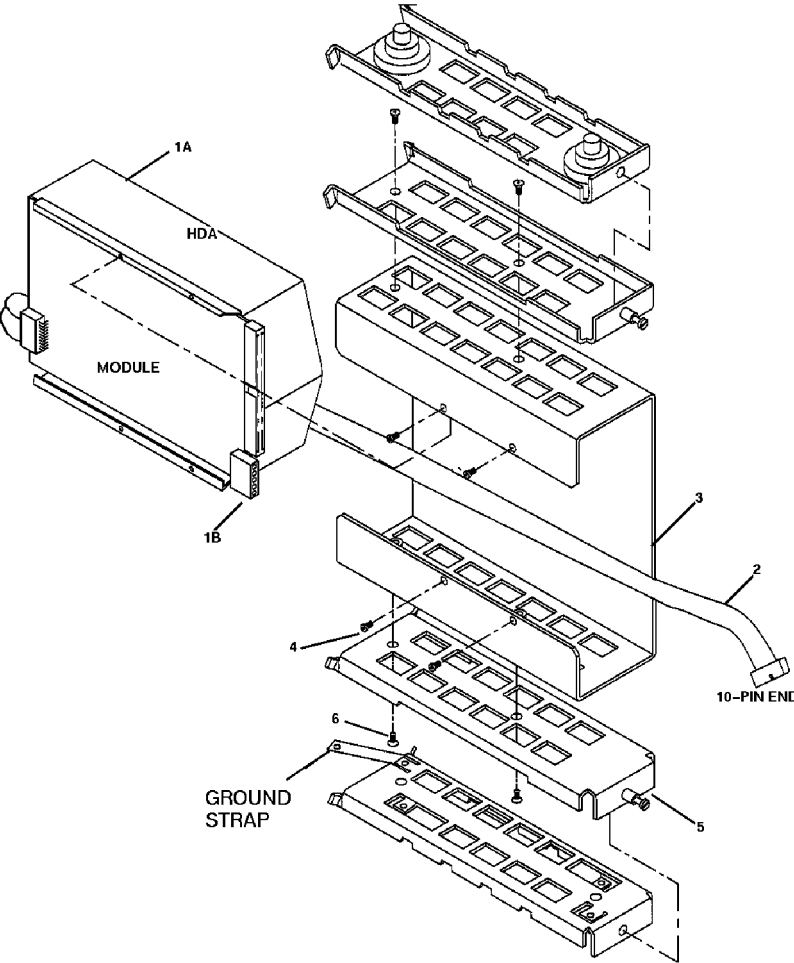
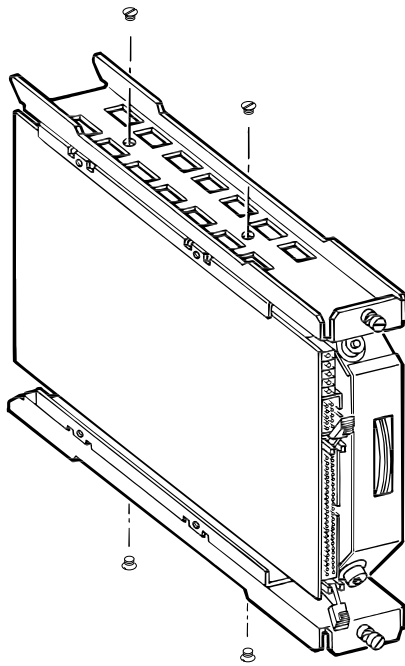


Figure 4-6 RF31, Installing the Slide Rails



SHR-0167-88
SHR-X0068-90-CPG

2. Slide the ISE into the mass storage bay (drive module to the left; drive module to the right for the RF35, RF36, or RF31T) and tighten the slide rail screws.

For the following steps, refer to Figure 4-7 and Figure 4-8.

3. Connect the power cable from the power supply to the power connector on the ISE.
4. Connect the DSSI cable to the DSSI connector on the ISE.
5. Use the 10-conductor cable provided to connect the ISE to the operator control panel (OCP).
6. Recheck all cable connections to the ISE. Make sure all connectors are seated correctly and that there is an appropriate amount of slack in the DSSI cable to allow for vibration of the ISE.
7. Reattach all control panel cables to the operator control panel. Reconnect the 50-pin DSSI cable to the external DSSI port, and then replace the operator control panel and the media face plate.
8. Replace the external DSSI cable or terminator.
9. Replace the front panel on the enclosure, and then plug in the power cord.
10. Insert the correct DSSI node ID plug on the OCP. Make sure each ISE is assigned a unique DSSI node ID.

Installation Procedure, BA215 Enclosure


BA215 Enclosure

The BA215 enclosure holds one or two ISEs, and a TK70 tape drive or TK50 tape drive.

Removing the Front Panel

The front panel has a 3-position lock that limits access to system controls. The controls are located behind a smoked plastic window.

Remove the front panel as follows:

1. Insert the key into the lock on the front panel. Turn the key to the bottom position (fully clockwise).
2. Slide the window all the way down.
3. Turn the power switch  off (to the right), and unplug the ac power cord from the wall outlet.
4. Pull the release latch outward, lift the front panel, and remove it from the system.

Caution

Do not use a screwdriver or other tool to pry open the release latch. This may damage the latch.

Accessing the Top Mass Storage Bays

Use the following procedure to access the top mass storage bays:

Caution

Static electricity can damage integrated circuits. Use an antistatic wrist strap and pad when performing this procedure.

1. Remove the external terminator or DSSI cable.
2. Refer to Figure 4–9. Loosen the four captive screws that hold the media face plate to the BA215 frame and remove the face plate.
3. Release the captive screw that holds the panel to the enclosure, tilt the panel forward, and label and unplug all cables connected to the OCP.

Caution

To prevent cable damage, do not allow the panel to drop free and hang suspended by its attached cables.

4. The shipping brackets inside the mass storage bay(s) should have been released during installation of the unit. If they were not released, make sure the four orange, plain-slotted screws are loosened to release the shipping brackets. Retighten the screws against the frame after the brackets are released.

Caution

Failure to release the shipping brackets before use may result in damage to the ISEs.

Installing the ISE

Use the following procedure to install the ISE:

Caution

Handle the ISE with care. Excessive shock can cause damage to the HDA.

Do not handle the ISE unless you are wearing an antistatic wrist strap that is correctly grounded. When working on the ISE, place it on an antistatic pad. Use the static-protective field service kit (PN 29-26246).

1. Install the upper and lower shock mounts in the mass storage bay. Refer to Installation Procedure, BA213 Enclosure for details on installing shock mounts and to Figure 4-4, which shows how to attach the metal ground strip when installing lower mass storage mounts.

Caution

Make sure you install the shock mounts shipped with the device. Check the part number against Table 2-1 and Table 2-2. Installing the wrong shock mounts may result in damage to the ISE.

2. Install an adapter plate for the RF35/RF36/RF31T ISE (see Installation Procedure, BA213 Enclosure).
3. Install the slide rails using the four screws provided (Figure 4-6).

Caution

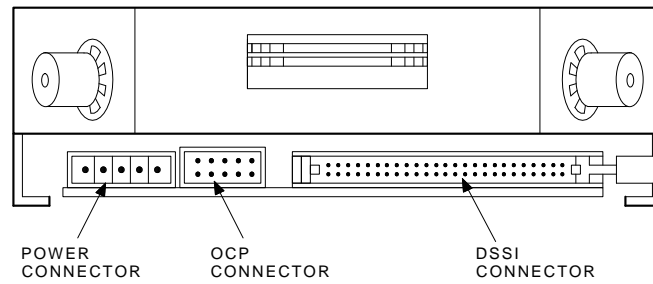
Make sure you use the screws provided. Longer screws may damage the ISE.

4. Slide the ISE into the mass storage bay (drive module to the left; drive module to the right for the RF35, RF36, or RF31T) and tighten the slide rail screws.
5. Connect the power cable from the power supply to the power connector on the ISE (Figure 4-7 and Figure 4-8).
6. Connect the DSSI cable to the DSSI connector on the ISE (Figure 4-7 and Figure 4-8).
7. Use the 10-conductor cable provided to connect the ISE to the operator control panel (OCP).
8. Recheck all cable connections to the ISE. Make sure all connectors are seated correctly and that there is an appropriate amount of slack in the DSSI cable to allow for vibration of the ISE.
9. Reattach all control panel cables to the OCP and then replace the OCP and the media face plate.
10. Replace the external DSSI cable or terminator.
11. Replace the front panel on the enclosure, and then plug in the power cord.
12. Install the correct DSSI node ID plug on the OCP. Make sure each ISE is assigned a unique DSSI node ID.

DSSI Bus, Power, OCP Connectors

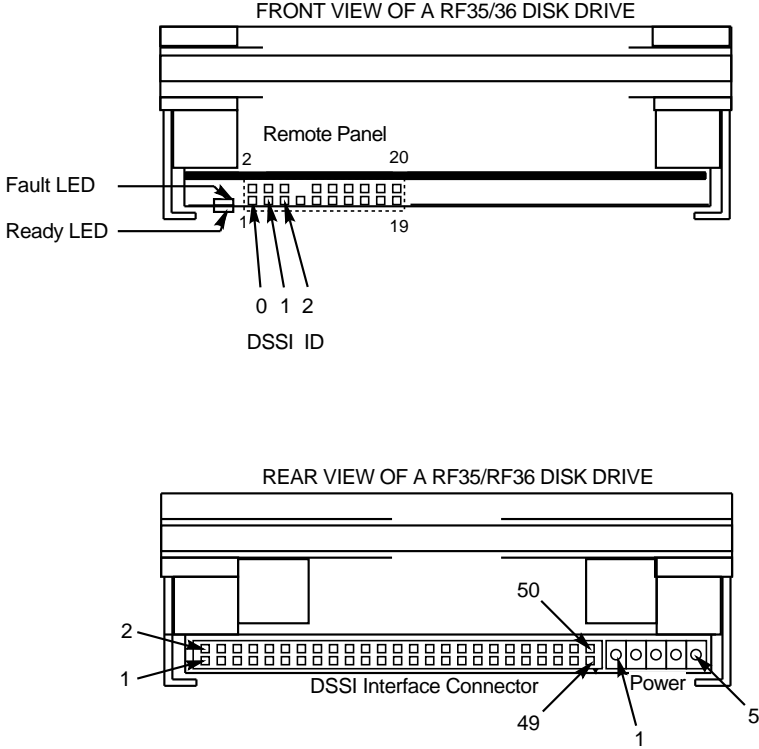
The following shows the DSSI bus, power, and OCP connectors on the ISE.

**Figure 4–7 DSSI Bus, Power, and OCP Connectors
(RF31/RF31F and RF72/RF73/RF74)**



SHR-X0064-90

Figure 4-8 DSSI Bus, Power, and OCP Connectors (RF35/RF36/RF31T)



RF3x_front_back-rags

Installation Procedure, R215F Enclosure


R215F Enclosure

The R215F expansion enclosure holds up to three ISEs.

Removing the Front Panel

The front panel has a 3-position lock that limits access to system controls. The controls are located behind a smoked plastic window.

Remove the front panel as follows:

1. Insert the key into the lock on the front panel. Turn the key to the bottom position (fully clockwise).
2. Slide the window all the way down.
3. Halt any bus activity on the host system. Then, remove the DSSI expansion cable.
4. Turn the power switch  off (to the right) and unplug the ac power cord from the wall outlet.

Caution

Make sure you stop any bus activity before removing the DSSI expansion cable to prevent high error rates.

5. Pull the release latch outward, lift the front panel, and remove it from the system.

Caution

Do not use a screwdriver or other tool to pry open the release latch. This may damage the latch.

6. Loosen the two slotted, captive screws attaching the DSSI cable to the R215F bus connector (to the left of the OCP), and remove the cable.

Accessing the Top Mass Storage Bays

Use the following procedure to access the top mass storage bays:

Caution

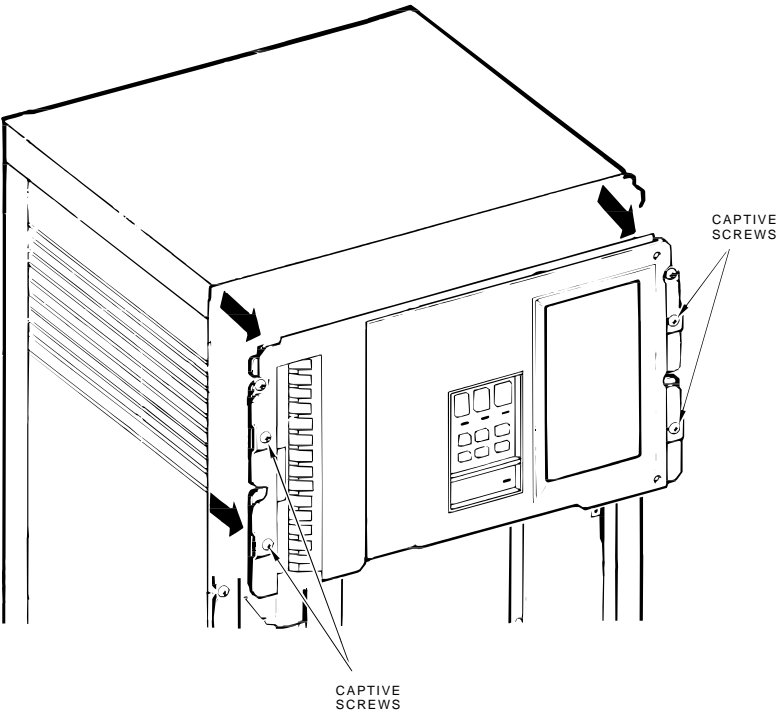
Static electricity can damage integrated circuits. Use an antistatic wrist strap and pad when performing this procedure.

1. Loosen the four captive screws that hold the media face plate to the R215F frame and remove the face plate (Figure 4-9).
2. Loosen the captive screw on the top of the operator control panel frame, tilt the panel forward, and label and unplug all cables connected to the OCP. Lift the OCP out of the enclosure.
3. The shipping brackets inside the mass storage bay(s) should have been released during installation of the unit. If they were not released, make sure the six orange, plain-slotted screws are loosened to release the shipping brackets. Retighten the screws against the frame after the brackets are released (Figure 4-10).

Caution

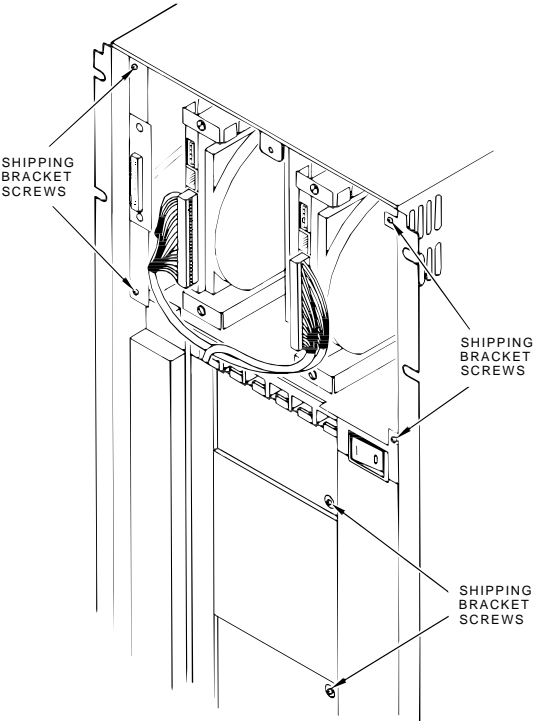
Failure to release the shipping brackets before use may result in damage to the ISEs.

Figure 4-9 Removing the Top Media Face Plate



MLO-001819
SHR-X0069-90-CPG

Figure 4-10 R215F Shipping Bracket Screws



ML0-001821
SHR-X0070-90-CPG

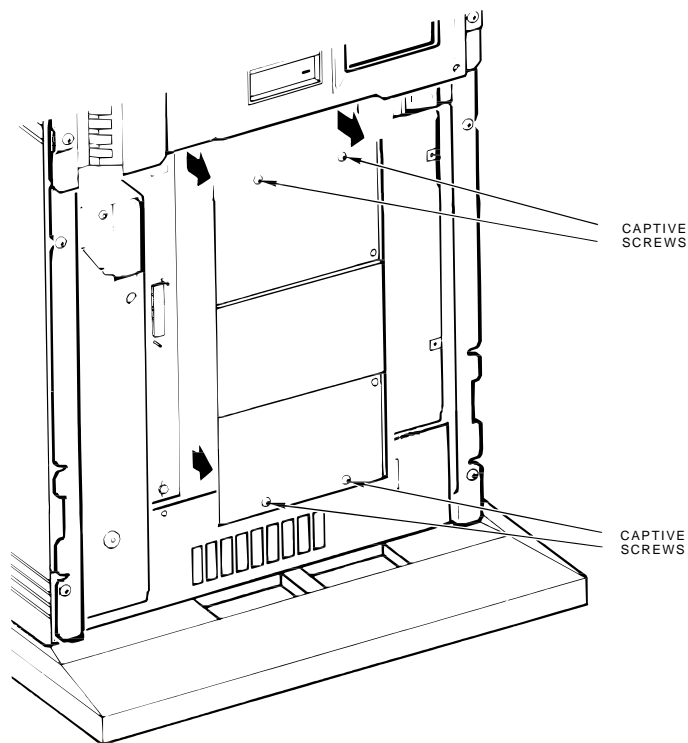
Accessing the Bottom Mass Storage Bay

Caution

Static electricity can damage integrated circuits. Use an antistatic wrist strap and pad when performing this procedure.

Loosen the four captive screws that hold the bottom media face plate to the R215F frame, and remove the face plate (Figure 4-11).

Figure 4-11 Removing the Bottom Media Face Plate



MLO-001820
SHR-X0071-90-CPG

Installing the ISE

Use the following procedure to install the ISE:

Caution

Handle the ISE with care. Excessive shock can cause damage to the HDA.

Do not handle the ISE unless you are wearing an antistatic wrist strap that is correctly grounded. When working on the ISE, place it on an antistatic pad. Use the static-protective field service kit (PN 29-26246).

1. Install the upper and lower shock mounts in the mass storage bay. Refer to Installation Procedure, BA213 Enclosure for details on installing shock mounts and to Figure 4-4, which shows how to attach the metal ground strip when installing lower mass storage mounts.

Caution

Make sure you install the shock mounts shipped with the device. Check the part number against Table 2-1 and Table 2-2. Installing the wrong shock mounts may result in damage to the ISE.

2. Install an adapter plate for the RF35/RF36/RF31T ISE (see Installation Procedure, BA213 Enclosure).
3. Install the slide rails using the four screws provided (Figure 4-6).

Caution

Make sure you use the screws provided. Longer screws may damage the ISE.

4. Slide the ISE into the mass storage bay (drive module to the left, to the right for RF35/RF36/RF31T) and tighten the slide rail screws.
5. Connect the power cable from the power supply to the power connector on the ISE (Figure 4-7 and Figure 4-8).
6. Connect the DSSI cable to the DSSI connector on the ISE (Figure 4-7 and Figure 4-8).
7. Use the 10-conductor cable provided to connect the ISE to the operator control panel (OCP).
8. Recheck all cable connections to the ISE. Make sure all connectors are seated correctly and that there is an appropriate amount of slack in the DSSI cable to allow for vibration of the ISE.
9. Reattach all control panel cables to the OCP and then replace the OCP and the media face plate.
10. Replace the external DSSI cable or terminator.
11. Replace the front panel on the enclosure, and then plug in the power cord.
12. Install the correct DSSI node ID plug on the OCP. Make sure each ISE is assigned a unique DSSI node ID.

5

Completing the Installation

ISE Checks

In this Chapter

This chapter describes:

- Executing the power-on self-test (POST)
- Setting the device parameters
- Verifying the correct operation of the ISE once it is installed

POST

Executing POST

Apply power to the host and to the expansion box (if applicable). The ISE, like other devices in the system, goes through a power-on self-test (POST).

POST is executed whenever power is applied.

When POST Succeeds

During a successful POST, the LEDs go through the following sequence:

1. All LEDs turn on for about 5 seconds.
2. All LEDs turn off for about 10 seconds.
3. READY LEDs flash for about 25 seconds.
4. The READY LED stays on steadily; the FAULT LED stays off.

The ISE is ready for use.

When POST Fails

The following lists the sequence the READY and FAULT LEDs go through when POST fails:

1. The FAULT LED stays on; the READY LED does not turn on.
2. The FAULT and READY LEDs stay on.

Refer to Chapter 6 for troubleshooting instructions.

Starting POST

When POST begins, the first action it takes is to start the spindle spin-up sequence. Other tests are performed while the spindle is spinning up. When more than one ISE is on the system, spindle spin-up is staggered (BA213 and R215F only) to limit the starting current drawn from the power supply for this function.

POST Errors

POST detects the following types of error conditions:

1. *Controller errors* — These are errors caused by the hardware associated with the controller function of the drive module. These errors are fatal to the operation of the ISE since the controller cannot establish a logical connection to the host. Controller errors cause the FAULT LED to turn on.
2. *Device errors* — These are errors caused by the hardware associated with the device control function of the drive module. These errors are not fatal since the ISE can establish a logical connection and report the error to the host. Device errors cause both LEDs to turn off for about 1 second, and then the FAULT LED turns on.

Resolving a Problem

If the ISE passes POST, continue to the next section. If the ISE fails POST, refer to Chapter 6. If the steps outlined in the troubleshooting section fail to locate the problem, do not complete the installation. Contact your Digital Equipment Corporation representative for instructions on replacing the ISE.

Note

The formatted capacity of the RF73 is 2 GB. The formatted capacity of the RF74 is 3.5 GB. If the system uses versions of VMS earlier than V5.4, the default parameters of the INITIALIZE command do not work. You will receive an error stating that the cluster size is not suitable. Until the software is upgraded to VMS V5.5 or later, specify an explicit cluster size with the INITIALIZE command. A cluster value of 4 or greater is required.

For example, initialize your new RF73/RF74 with the command line:

INIT/CLUSTER=4 \$7\$DIA3: NEWDISK

Likewise, if a BACKUP operation is done to the new RF73/RF74 with VMS V5.4 or earlier, first initialize the ISE with the VMS INITIALIZE command, then do a BACKUP/NOINIT.

Using PARAMS

Setting ISE Parameters

After executing the POST, you set the ISE parameters using the local program PARAMS. The following procedures should be used when performing an ISE installation. For further information on the use of PARAMS, refer to the *RF Series Integrated Storage Element User Guide* (EK-RF72D-UG). It contains a complete description of the PARAMS utility.

Accessing PARAMS

PARAMS can be accessed in one of three ways, depending on the system you are using:

- Through VMS, using the SET HOST command
- From the console, using the SET HOST command
- Through MDM, using the Device Resident Programs menu

Using VMS

To access PARAMS on a system running VMS Version 5.3-2 or later, the command is:

```
$ SET HOST/DUP/SERVER=MSCP$DUP/TASK=PARAMS nodename
```

The *nodename* is the node name of the ISE.

To find the node name, type SHOW DEVICES or SHOW CLUSTER at the \$ prompt.

To create a file in your directory of what appears on the screen, append the qualifier:

```
/log=filename.ext
```

The *filename.ext* is the name of the file and its extension.

Once you are in PARAMS, control is turned over to the utility. All interaction is through the use of commands and responses.

Exiting PARAMS

To exit PARAMS, type EXIT at the PARAMS> prompt, or press one of the following: `Ctrl/C`, `Ctrl/Y`, or `Ctrl/Z`.

Using Console Commands

Some systems allow you to access ISE local programs using console commands. The command syntax depends on whether your system uses a Q-bus adapter like the KFQSA module, or an embedded adapter such as the KA640 module.

Q-bus Adapters

To access PARAMS from a system with a Q-bus adapter, type:

```
>>> SET HOST/UQSSP/DUP/DISK # PARAMS
```

The # is the controller number of the ISE.

To find the controller number, type SHOW UQSSP at the console prompt (>>>). An example of the SHOW UQSSP command is:

```
>>> show uqssp
UQSSP Disk Controller 0 (772150)
-DUA0 (RF31)

UQSSP Disk Controller 1 (760334)
-DUB1 (RF31)

UQSSP Disk Controller 2 (760340)
-DUC2 (RF31)

UQSSP Tape Controller 0 (774500)
-MUA0 (TK70)
>>>
```

Embedded Adapters

To access PARAMS from a system with an embedded adapter, type:

```
>>> SET HOST/DUP/DSSI/BUS:n # PARAMS
```

The *n* is the bus number where the ISE is located, and the # is the DSSI node number of the ISE.

To find the DSSI bus number and node number, type SHOW DSSI at the console (>>>) prompt.

To exit PARAMS, type EXIT at the PARAMS> prompt, or press one of the following: `Ctrl/C`, `Ctrl/Y`, or `Ctrl/Z`.

Using MDM

If VMS or console commands are not available on your system, you can access PARAMS through MDM using the following procedure:

1. Boot MDM.
2. Enter the date and time.
3. Select the menus in the following order:
 - a. Service menu
 - b. Device menu
 - c. KFQSAA-KFQSA subsystem menu
 - d. Device Utilities menu
 - e. Device Resident Programs menu

When you select the Device Resident Programs menu, the following is displayed:

RUNNING A UTILITY SERVICE TEST

To halt the test at any time and return to the previous menu, type **Ctrl/C**.

KFQSAA started.

KFQSAA pass 1 test number 3 started.

Copyright 1988 Digital Equipment Corporation

Completed.

EXIT	DRVEXR	DRVTST
HISTORY	ERASE	PARAMS
DIRECT	DKUTIL	PRFMON
VERIFY		

Please choose a local program or press <RETURN> to continue.

4. Type **PARAMS** and press **Return**.
5. Once you are in **PARAMS**, control is turned over to the utility. All interaction is through the use of commands and responses.
6. To exit **PARAMS**, type **EXIT** at the **PARAMS>** prompt, or press one of the following: **Ctrl/C**, **Ctrl/Y**, or **Ctrl/Z**.
7. To exit **MDM**, press the **Break** key.

Setting the ISE Allocation Class

Overview

All DSSI ISEs are shipped with the allocation class set to 0. To determine what allocation class you should use, first access a different ISE on the system and then set the one you are installing to the same allocation class.

Multihost Systems

In multihost systems, you must assign the same allocation class to both host systems and all connected ISEs. This allocation class must be different from that of other systems or other hierarchical storage controllers (HSCs) in a cluster.

Procedure

Use the following procedure to set the allocation class:

1. At the PARAMS> prompt, type SHOW ALLCLASS. The system displays the following:

```
Parameter      Current      Default      Type      Radix
-----
ALLCLASS          1          0      Byte      Dec      B
PARAMS>
```

2. Make a note of the allocation class. In this example, the allocation class has been set to 1. Exit PARAMS and return to the root prompt (VMS, console, or MDM).
3. Access PARAMS on the newly installed ISE.

4. Type **SHOW ALLCLASS**. The system responds with:

```
Parameter      Current      Default      Type      Radix
-----
ALLCLASS          0          0      Byte      Dec      B
PARAMS>
```

5. In this example, you would type **SET ALLCLASS 1**. You want to set the ISE to the same allocation class as all the other ISEs on the DSSI bus.

6. Type **SHOW ALLCLASS** to check the new allocation class.

The system responds with the following display:

```
Parameter      Current      Default      Type      Radix
-----
ALLCLASS          1          0      Byte      Dec      B
PARAMS>
```

7. Type **WRITE**. The system responds with:

```
Changes require controller initialization, ok? [Y/ (N)]
```

8. Type **Y** to save the new allocation class value.

Setting the MSCP Unit Number

Overview

The ISE is set during manufacturing to read the DSSI node ID as the MSCP unit number. In some cases, it may be desirable to assign a different MSCP unit number, as in the case of a system with more than one DSSI bus.

Procedure

When assigning a different unit number, you must also set the FORCEUNI parameter to 0. This allows the unit number you have set to be used. The factory setting for FORCEUNI is 1, forcing the DSSI node ID to be used as the MSCP unit number.

The following example shows how to change the MSCP unit number.

```
PARAMS> sh unitnum
Parameter  Current      Default      Type      Radix
-----
UNITNUM    5              0      Word      Dec      U
PARAMS> set unitnum 21
PARAMS> sh unitnum
Parameter  Current      Default      Type      Radix
-----
UNITNUM    21              0      Word      Dec      U
PARAMS> sh forceuni
Parameter  Current      Default      Type      Radix
-----
FORCEUNI   1              1      Boolean   0/1      U
PARAMS> set forceuni 0
PARAMS> sh forceuni
Parameter  Current      Default      Type      Radix
-----
FORCEUNI   0              1      Boolean   0/1      U
PARAMS> write
```

Setting the ISE Node Name

Overview

Setting the ISE node name is an optional step. All DSSI ISEs come with a computer-generated node name. The user may want to set this node name to a more recognizable character string.

Example

The following example changes the node name from the default (R1EJAA) to the new string, SUSAN. When entering ASCII strings, you may use single quotes, double quotes, or no quotes at all.

```
PARAMS> show node
Parameter      Current      Default      Type      Radix
-----
NODENAME       R1EJAA      RF31         String    Ascii     B

PARAMS> set node "susan"
PARAMS> show node
Parameter      Current      Default      Type      Radix
-----
NODENAME       SUSAN       RF31         String    Ascii     B

PARAMS> write
```

Testing the ISE

Accessing DRVTST

Once the ISE parameters are set, test the drive by using the local program DRVTST. You access DRVTST the same way you access PARAMS. Use one of the procedures outlined in the PARAMS section of this chapter, but instead of specifying PARAMS, specify DRVTST.

Running DRVTST

DRVTST is a comprehensive hardware test. Once invoked, it will prompt you to specify whether the test should be a read/write test or a read-only test. After you specify the type of test, it will run for 5 minutes. After 5 minutes, DRVTST indicates that the test passed or that a failure occurred.

Once the ISE has passed DRVTST, the installation is complete. For further information on the use of DRVTST, refer to the *RF Series Integrated Storage Element User Guide (EK-RF72D-UG)*. It contains a complete description of the DRVTST local program.

DRVTST Example

The following example shows how to run DRVTST. In this example, DRVTST is accessed through VMS on an ISE with the node name R1EJAA.

```
$ set host/dup/server=mscp$dup/task=drvtst rlejaa
```

The program displays the following:

```
Copyright © 1989 Digital Equipment Corporation  
Write/read anywhere on the medium? [1=Yes/(0=No)]
```

You must respond to the query for the program to continue. By typing 1 , you select a read/write test. DRVTST then displays the following:

```
User data will be corrupted. Proceed? [1=Yes/(0=No)]
```

The query gives you a chance to reconsider. By typing 0 , you override your response to the first query and a read-only test is executed. If you type 1 , DRVTST begins executing a read/write test of the ISE.

If you type 1 , the program displays the following message during the test:

```
5 minutes to complete.
```

Note

You may abort the test at any time by pressing one of the following: , , or . If you abort the test, the following informational message is displayed:

```
Operation aborted by user.
```

If DRVTST is executed successfully, the following message is displayed:

```
Test passed.
```

Error Messages

If an error condition is found during the execution of DRVTST, an error message is displayed. Two types of errors are reported:

- Soft errors that are corrected during the operation of the ISE
- Fatal errors that prevent the ISE from functioning

Error Descriptions

The following table describes the error messages you may see and what they mean:

Message	Description
Soft read error on head xx track yyyy.	Soft error messages indicate that an operation succeeded, but that the error recovery firmware was invoked.
Soft write error on head xx track yyyy.	These messages may indicate a forced-error flag or correctable ECC error, or that the read/write head was temporarily off track. These errors are corrected during normal operation.
Soft compare error on head xx track yyyy.	
xxxx — Unit diagnostics failed.	This is a fatal error, where xxxx is the MSCP error code.
xxxx — Unit read/write test failed.	This is a fatal error, where xxxx is the MSCP error code.

Make note of any soft error messages that are displayed for possible future reference. If you encounter a fatal error, do not complete the installation. Contact your Digital Equipment Corporation representative for instructions on replacing the ISE.

6

Troubleshooting Procedures

Performing Troubleshooting Procedures

In this Chapter

This chapter describes what you should do if an ISE fails to function.

Failure Indications

An ISE may fail during initial power up or during normal operation. The following table describes the states of the LEDs, what these states mean, and what actions you should take.

When . . .	It means . . .	And you . . .
The READY LED is on and the FAULT LED is off	The operating condition is normal	May use the ISE.
The FAULT and READY LEDs turn on and stay on	The ISE is unable to execute POST	Power down the system, check DSSI cable, and try again.
Neither LED turns on	Power is not getting to the ISE	Check power cable and DSSI cable.
The FAULT LED turns on and stays on	A fault condition exists	Run DRVTST to isolate the failure. If unable to access DRVTST, check DSSI node ID.

Troubleshooting Procedure

If a failure occurs during the installation process, perform the following checks to make sure that the failure is within the ISE:

Step	Action
1	Remove the outside panels from the system enclosure as needed to access the ISE. Refer to Chapter 4 for the panel removal procedures specific to your system enclosure.

Caution

Do not operate the ISE for more than 10 minutes with the outside panels removed. Overheating and subsequent damage may result due to changes in airflow.

2	Check to make sure the READY LED on the external terminator is on. If it is not on, there is no power on the DSSI bus cable. Check for a bad cable connection or a blown fuse on the DSSI adapter module.
3	Power down the system.
4	Check for correct power cable connections to the ISEs.
5	Make sure the DSSI cable is connected correctly to all DSSI ISEs and to the host adapter.

Step	Action
6	Make sure the ISE has the correct DSSI node ID and that no other device on the DSSI bus has the same node ID. The following table explains how to do this.

If . . .	Then . . .
An OCP is connected to the ISE	Make sure the DSSI node ID plug is correctly installed.
No OCP is connected	Check the node ID select switches or jumpers on the drive module to make sure they are set correctly.

Note

When the OCP is disconnected, the ISE defaults to no write-protect and on line.

7	Make sure the terminators are correctly inserted at the ends of the DSSI bus cable. Refer to your system or adapter documentation for details on the DSSI bus cable and the terminators.
8	Reapply power. Watch the status of the READY and FAULT LEDs. The following table explains what you should do.

When . . .	Then . . .
Both the FAULT LED and the READY LED are on, and then the FAULT LED turns off	The drive is ready for operation.
The FAULT LED stays on, or the READY LED does not turn on, or both LEDs stay on	The ISE is faulty. Replace the ISE and then complete the installation.

Index

A

Accessing PARAMS

- Using console commands, 5-5
- Using MDM, 5-6
- Using VMS, 5-4

Allocation class, 5-8

- Multihost systems, 5-8

B

BA213 enclosure, 1-7, 4-2

BA215 enclosure, 1-8, 4-13

D

DRVSTST, 5-12

DSSI

- Adapter, 1-2, 5-5
- Interface, 1-2

DSSI node ID plugs, 2-6, 2-7, 3-7, 3-10, 4-12, 4-16

DSSI node ID selection switch positions, 3-5

DSSI node ID switches, 3-2, 3-5

E

Embedded adapters, 5-6

Enclosures

- BA213 enclosure, 1-6
- BA215 enclosure, 1-8
- R215F enclosure, 1-9

F

Failure indications, 6-1

FAULT LED, 3-4, 3-6, 5-2, 6-3

H

Handling precautions, 2-1, 4-9, 4-15, 4-24

I

Inspection, 2-6

Installation procedure

- BA213 enclosure, 4-2
- BA215 enclosure, 4-13
- R215F enclosure, 4-19

ISE controls and indicators, 3-1

M

Multihost systems

- Allocation class, 5-8

O

Operator control panel (OCP), 3-7, 4-12, 6-3

P

PARAMS, 5-4

- Setting allocation class, 5-8
- Setting ISE node name, 5-11
- Setting MSCP unit number, 5-10

Performing troubleshooting procedures, 6-1
Power-on self-test (POST), 5-2

Q

Q-bus adapters, 5-5

R

R215F enclosure, 4-19
READY LED, 3-4, 3-6, 5-2
RF31 integrated storage elements, 1-1
RF31E-SF option kit, 2-2, 2-6
RF31F integrated storage elements, 1-1
RF31F-SF option kit, 2-2, 2-6
RF35E-SF option kit, 2-6
RF35E-SF, RF36E-SF option kit, 2-2
RF36E-SF option kit, 2-6
RF72 integrated storage elements, 1-1

RF72 ISE, 1-5
RF72E-SF option kit, 2-5, 2-6
RF73E-SF option kit, 2-6
RF74E-SF option kit, 2-6

S

Shock mounts, 2-6, 2-7, 4-7, 4-15, 4-24
Slide rails, 2-6, 2-7, 4-9, 4-15, 4-24

T

Terminator, 6-2, 6-3
Testing the ISE, 5-12
Troubleshooting procedure, 6-2

U

Unpacking, 2-1