

Compaq StorageWorks Power Distribution Unit (H7600-DB/H7600-EB) Installation Guide

The H7600 power distribution unit (PDU) installs in the bottom of the ESA 12000 rack (cabinet). The PDU provides multiple outlets, an ON/OFF circuit breaker, and a power indicator. Two PDU models are used in the ESA 12000 rack: H7600-DB and H7600-EB.

Note

Model H7600-DB is not intended or approved for use in North America.

Installing the Primary PDU

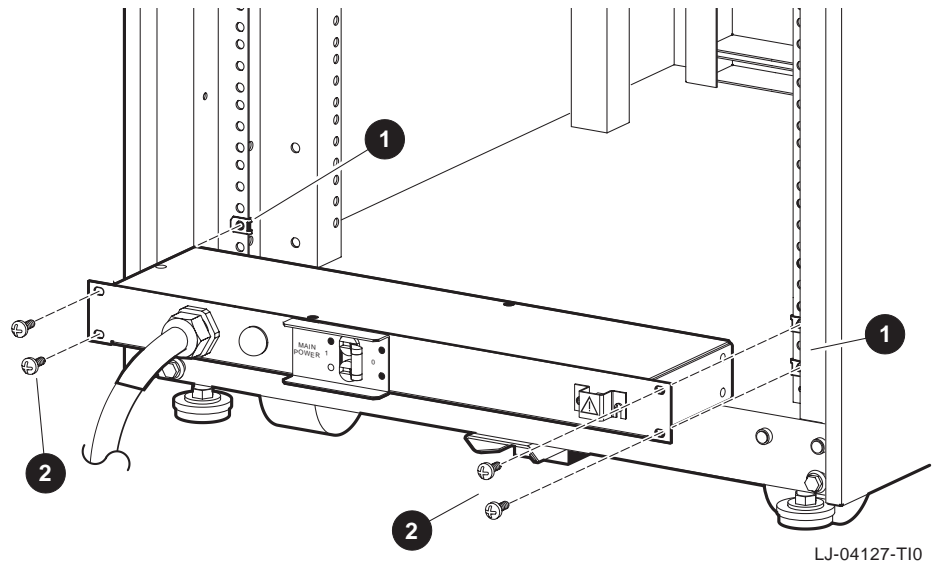
Complete the procedures in Table 1 to install the primary PDU. Each PDU is shipped with four 10-32 clip nuts and four truss-head screws.

Table 1 Installing the H7600 PDU

1. Install four clip nuts **1** over the first and third holes from the bottom on the left and right rear rails.

Figure CALLOUTS Legend

- 1** 10-32 Clip nut
 - 2** Truss-head screw
2. Orient the PDU as shown and align the four holes with the clip nuts **1**.
 3. Using four truss-head screws **2**, secure the PDU to the rack rails.



WARNING!

Secure a grounding wire to the rear of the PDU with the proper hardware. The end product user is responsible for meeting local and national electrical codes.

Installing the Redundant PDU

Complete the procedures in Table 1 to install the redundant PDU using the front of the rack.

