



CPU INSTALLATION CARD

ER-PD02U-IN. A01

Use this card as a quick reference to install the CPU module in DIGITAL Server 5300 and DIGITAL Server 7300/7300R systems.

WARNING: CPU modules and memory modules have parts that operate at high temperatures. Wait 2 minutes after power is removed before touching any module.

CAUTION: Wear an antistatic wrist strap when working on this system.

Overview

- Expose the system board or drawer in the pedestal or cabinet.
- Install the CPU module.
- Verify the installation.

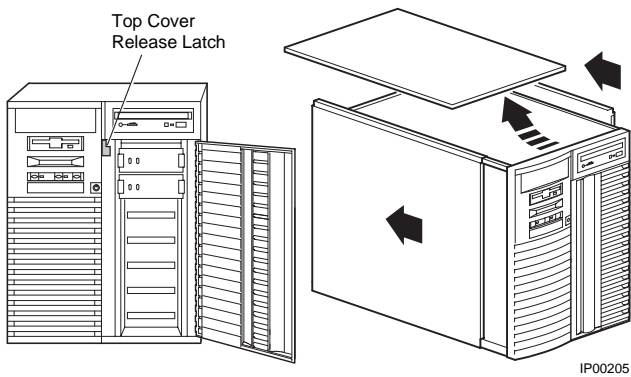
DIGITAL Server 5300

Expose the System Board

NOTE: Before removing the CPU module, you must remove the memory card adjacent to it. Refer to the DIGITAL Server 5300 User's Guide for memory card removal procedures.

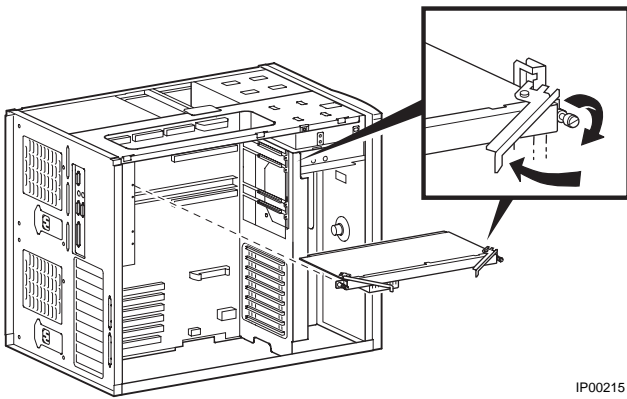
1. Shut down the operating system and power down the system.
2. Remove the top cover and left side panel as shown in the following illustration.

© Digital Equipment Corporation 1997.
All rights reserved.



Install the CPU Module

1. Unscrew the module handle that secures the outer edge of the CPU module (two retainer screws).
2. Release the card by extending the handle clip on each end outward.
3. Holding the outer edge of the card, gently pull it out of the slot.
4. To install the new CPU card, slide it into the system board slot.
5. Visually align the CPU card with the system board white connector and press the card into the connector. Check to see that the module handle clips are aligned with the slot notches.
6. Press inward on the handle clip on each end of the card until they catch in a closed position, as shown in the following illustration.
7. Secure the card by tightening the two captive retainer screws.
8. Replace the memory card.



IP00215

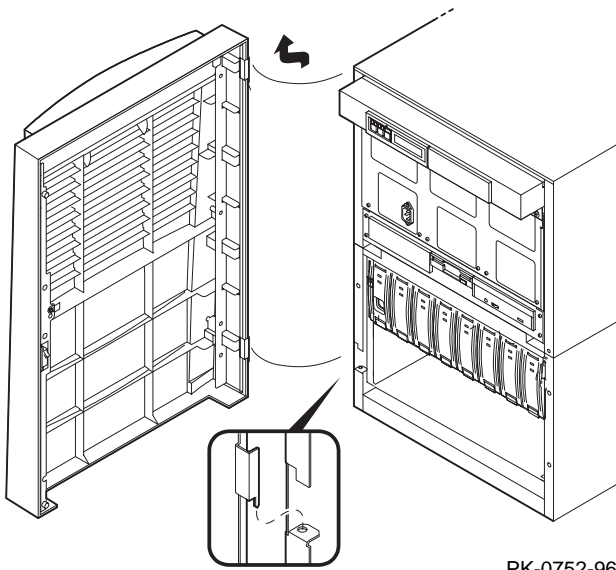
Verify the Installation

1. Start **AlphaBIOS Setup**, select **Display System Configuration**, and press Enter.
2. Using the arrow keys, select **MC Bus Configuration** to display the status of the new module.

DIGITAL Server 7300/7300R

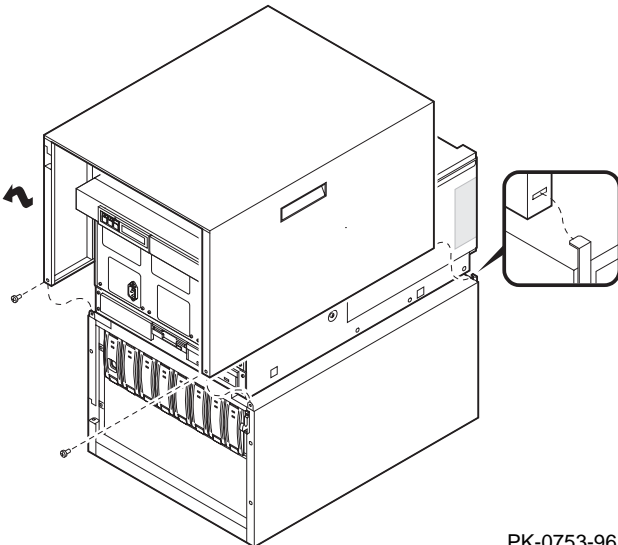
Expose the System Drawer in the Pedestal

1. Shut down the operating system and power down the system.
2. Open the front door of the pedestal and remove it by lifting and pulling it away from the system, as shown in the illustration below.



PK-0752-96

3. Remove the top cover from the pedestal. Remove the two Phillips head retaining screws midway up each side of the pedestal, tilt the cover up, and lift it away from the frame.

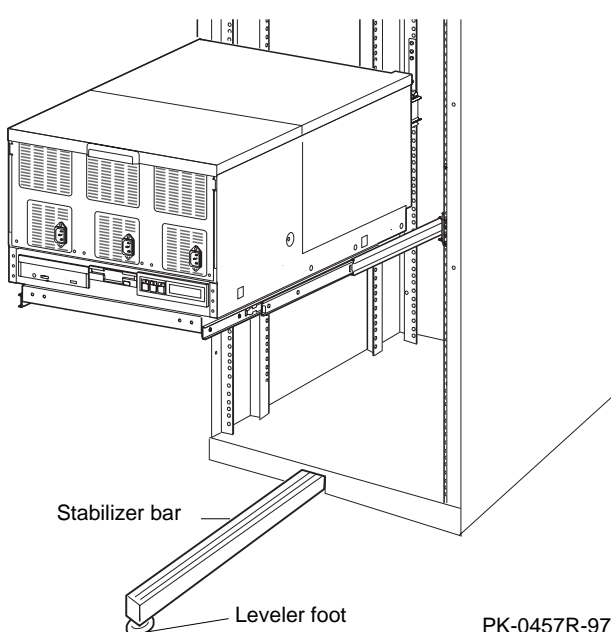


PK-0753-96

Expose the System Drawer in the H9A10-EN/EP Cabinet

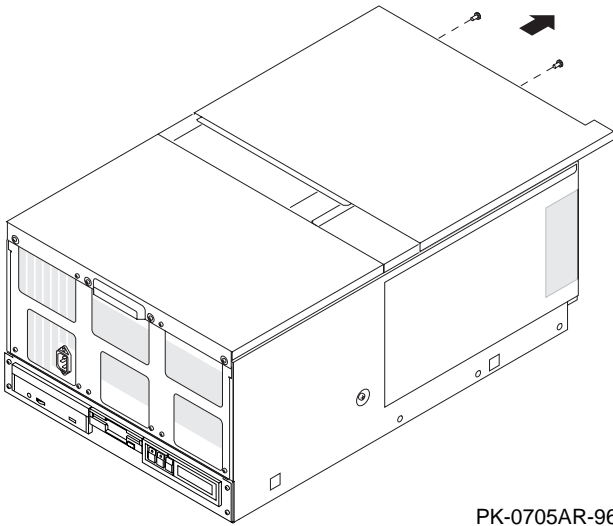
WARNING: Only DIGITAL Customer Service representatives or customer maintenance personnel who are familiar with computer hardware should slide system drawers out of the cabinet. Personnel should be experienced and trained in installing computers and related equipment. Before pulling a system drawer out, make sure the stabilizer bar is fully extended; then adjust the foot at the end of the bar so it touches the floor.

1. Open the front door of the cabinet.
2. Pull out the stabilizer bar at the bottom of the cabinet until it stops.
3. Extend the leveler foot at the end of the stabilizer bar to the floor.
4. Unplug the power supplies in the drawer.
5. Slide the drawer out until it locks.



Install the CPU Module

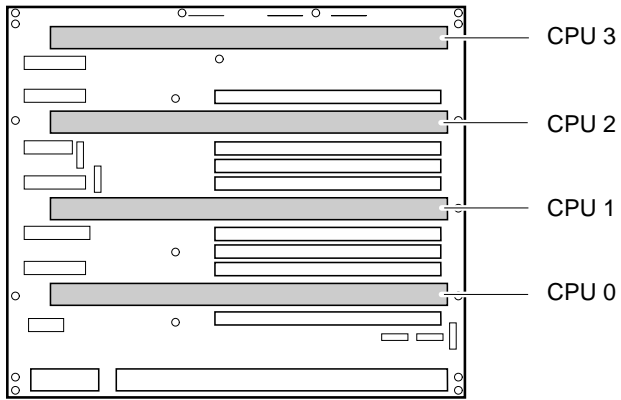
1. Remove the cover from the system card cage section of the system drawer. Remove the two Phillips head screws and slide the cover off the drawer.



PK-0705AR-96

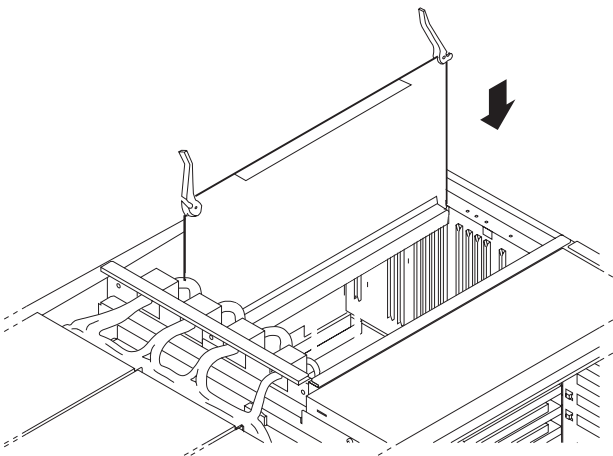
2. Insert the new CPU module:
 - a. Determine the slot on the system motherboard for the new module. The first CPU module is in slot 0, the second in slot 1, and so on.

DIGITAL Server 7300 Mother Board



ML014253

- b. The module handle has a lever at each end. Insert the module in the slot and push down on both levers at the same time.



PK-0718R-96

Verify the Installation

1. Replace the cover on the system bus card cage. Power up the system with the HALT button in the depressed position and verify that power-up diagnostics pass.
2. From the SRM console, issue the command `>>>test CPU n` where n is 0,1,2,3, or *. The value indicates the specific CPU number or all CPUs.
3. Change the HALT button to the OUT position, and press the RESET button.
4. Start **AlphaBIOS Setup**, select **Display System Configuration**, and press Enter.
5. Using the arrow keys, select **MC Bus Configuration** to display the status of the new module.



ER-PD02U-IN. A01