

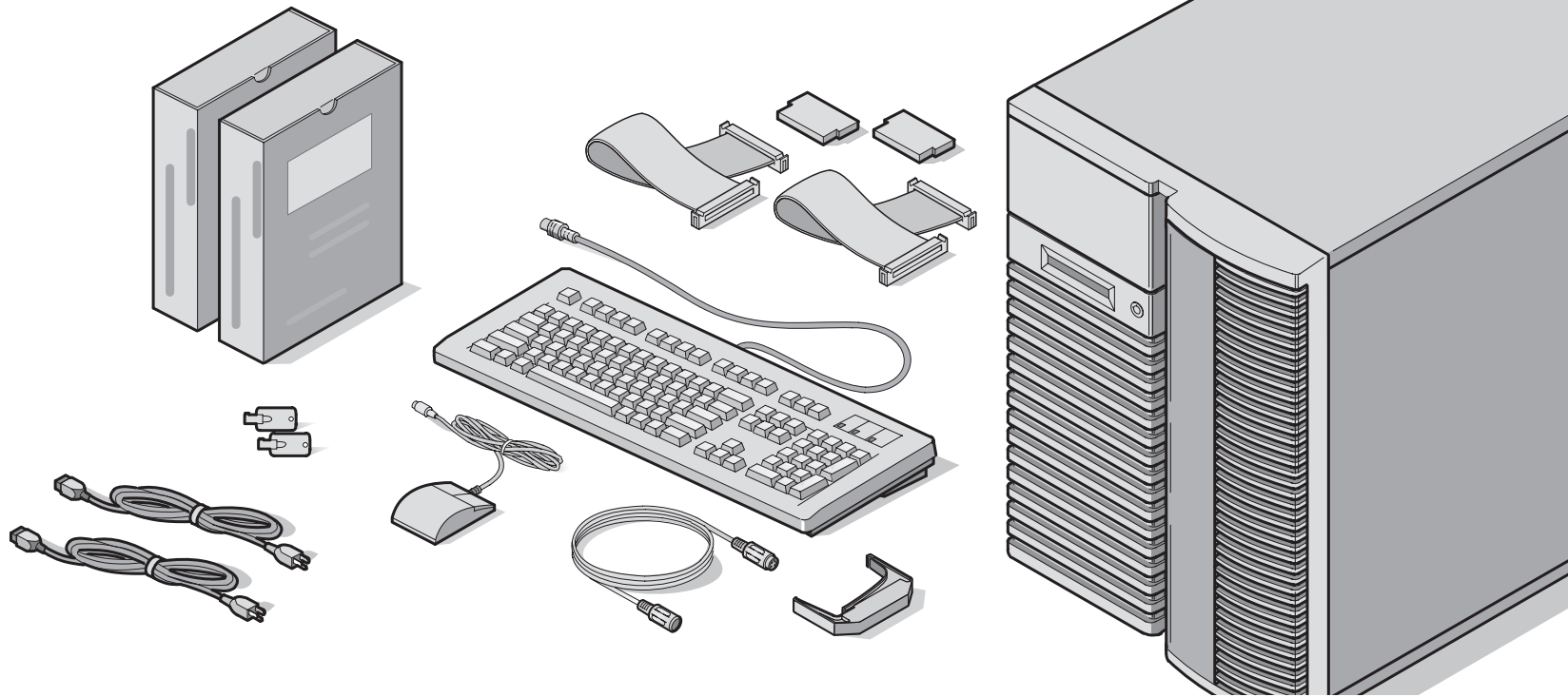
# **DIGITAL™ Server 5220 Series Installation Guide**

Installationshandbuch

Guía de instalación

Guide d'installation

Guida di installazione



# Thank You

*... for purchasing a DIGITAL Server 5220.  
The DIGITAL Server family represents DIGITAL's  
continued commitment to Uncompromising  
Quality, backed by award-winning Customer  
Service and Support. The following procedures  
will help you easily set up your server's  
hardware and software.*

## **DIGITAL ServerWORKS Quick Launch**

DIGITAL ServerWORKS **Quick Launch** delivers unparalleled achievement in streamlining the installation and configuration of hardware components and network operating system software on the DIGITAL Server line of products. Quick Launch combines an intuitive interface and versatile, time saving features to produce a consistent and accurate installation optimized for DIGITAL's extremely powerful and highly acclaimed DIGITAL Servers.

In addition to its automated yet extensible method of express installations for Network Operating Systems, Quick Launch provides a comprehensive archive of server documentation, troubleshooting assistance, configuration utilities, and diagnostics.

## **Before You Begin**

Select a suitable area for assembly and use. Ensure that your workspace:

- Is located next to electrical outlets and a telephone jack
- Is free from excessive heat, dust, and direct sunlight
- Allows at least 7 inches of clearance on all sides for proper air flow
- Is in accordance with local and regional electrical regulations governing the installation of Information Technology Equipment by licensed electricians

See "Technical Specifications" in your *System Reference* manual for temperature and humidity information.

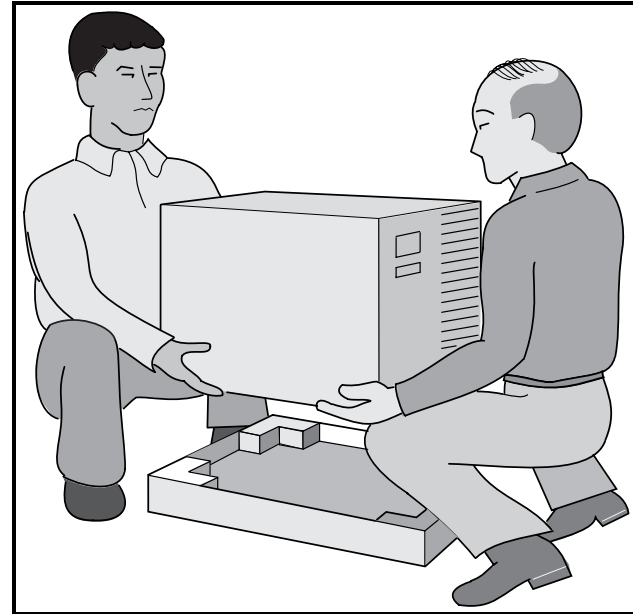
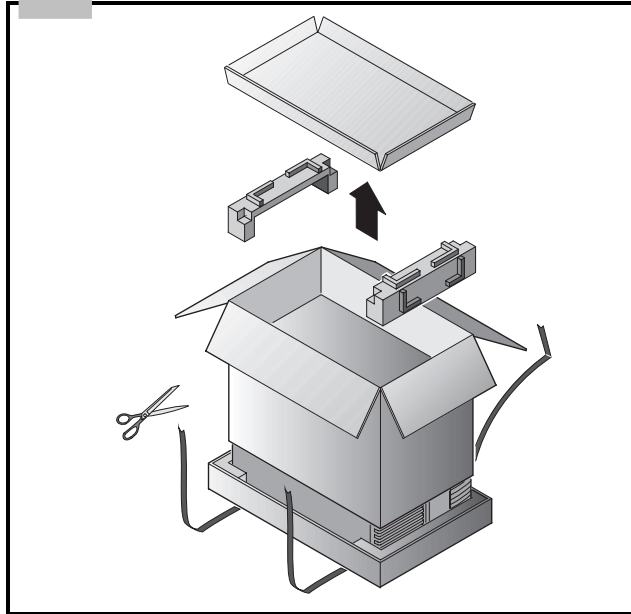
If you do not wish to install the server yourself, contact your DIGITAL authorized service provider. A Customer Service Technician can install the server for you.



### **WARNING**

Use extreme care when unpacking your server. Due to its weight, two people are required to unpack it. Failure to use two people might violate certain safety regulations and can result in severe personal injury or equipment damage.

# 1 Unpack your server



## WARNING

The server is heavy. Do not lift it alone.

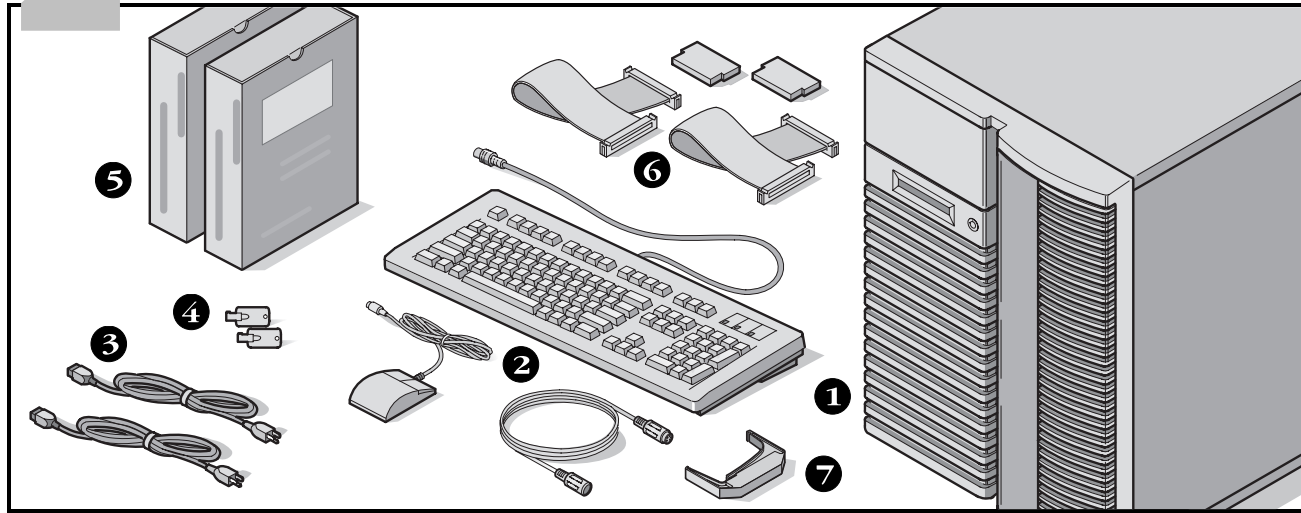
Unpack your server following the diagrams on the box top. Use a mechanical aid or get someone to help you lift it from the carton base.

- Know where you're going to set it down before you lift.
- Roll the server on its wheels rather than carry it.
- Get close to the server with feet apart for stable footing.
- Squat down with your knees bent and your back straight.

- Get a firm grip, lift with your legs and keep your back straight.
- Avoid twisting your upper body. Move your feet to turn.
- Lower the server gently using your leg muscles to squat and keeping your back straight.
- Roll the server into place and lock the brake as shown in Step 3, Note **A**.

After your server has been unpacked, please recycle the packing materials or dispose of them properly.

## 2 Check the parts



Unpack and identify your server's components.

- ❶ DIGITAL Server 5220
- ❷ Country kit including keyboard, keyboard extension cable and mouse (ordered separately)
- ❸ Up to 3 power cords
- ❹ Server keys
- ❺ Server software and documentation kits
- ❻ SCSI and IDE cables and terminators (in some configurations, you may have up to three loose cables in addition to the cables already installed.)
- ❼ Hot swap drive extraction tool

### NOTE

Monitor must be ordered separately.

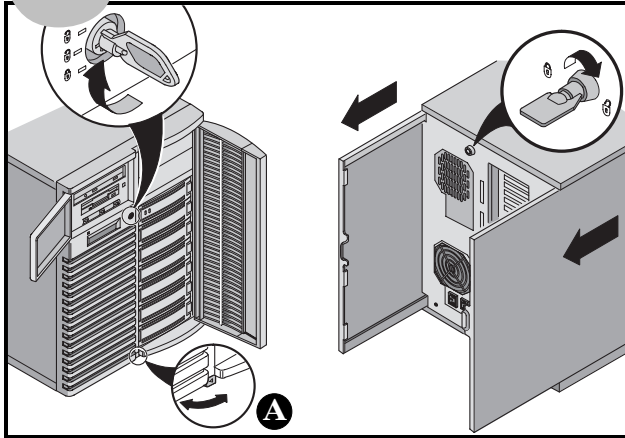
The DIGITAL ServerWORKS software kit includes:

- ServerWORKS Quick Launch: ServerWORKS Quick Launch software and *Getting Started* guide.
- ServerWORKS Manager kit: ServerWORKS Manager software and documentation.

The DIGITAL Server Documentation kit includes:

- This *Installation Guide*, *System Reference* manual, *Documentation Overview*, *Warranty and Service Information*, and *Registration Card*.

## 3 Install any internal options



If you have options to install, install them now. To install internal options:

**CAUTION**  
 Before touching any circuit board or component, wear an anti-static wrist strap, properly grounded to the server chassis, or touch the metal frame to discharge any static electricity.

1. Unlock the doors.
2. Unlock the side panels.
3. Remove the side panels.
4. Install the options.



### CAUTION

Removing the side panels activates the power interlock switches. These switches turn off power to your server. You might injure yourself or damage the server if you attempt to override or bypass these switches. Always replace the side panels before you turn on power to the server.

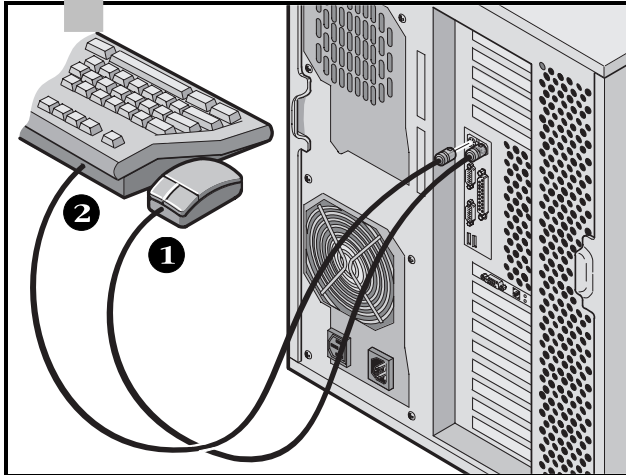
Before touching any circuit board or component, wear an anti-static wrist strap, properly grounded to the server chassis, or touch the metal frame to discharge any static electricity.

### NOTE

Use the brake located at the bottom of your server (A) to lock your server in place.

Refer to the *System Reference* manual for detailed information. Also, refer to the documentation that came with the option kit for specific installation instructions.

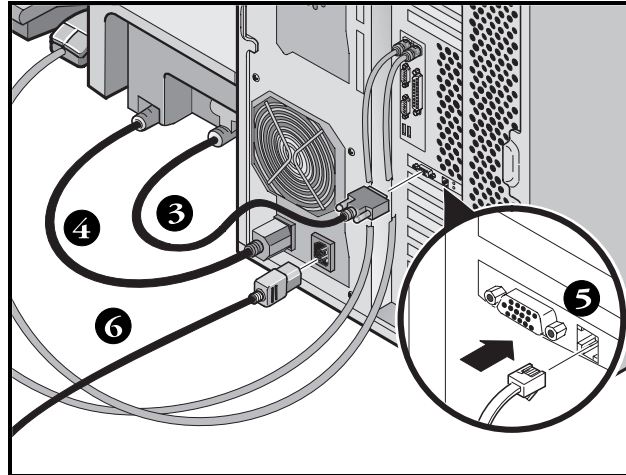
## 4 Connect the cables and power cord



1. Connect the mouse.
2. Connect the keyboard.
3. Connect the monitor signal cable.
4. Connect the monitor power cable.
5. Connect the 10/100Base-T network cable.
6. Connect the ac power.

### NOTE

Some large screen monitors (17-inch diagonal and over) require more power than the server's auxiliary ac outlet can supply. These monitors will have power cords that must be connected directly into a wall outlet.



### NOTE

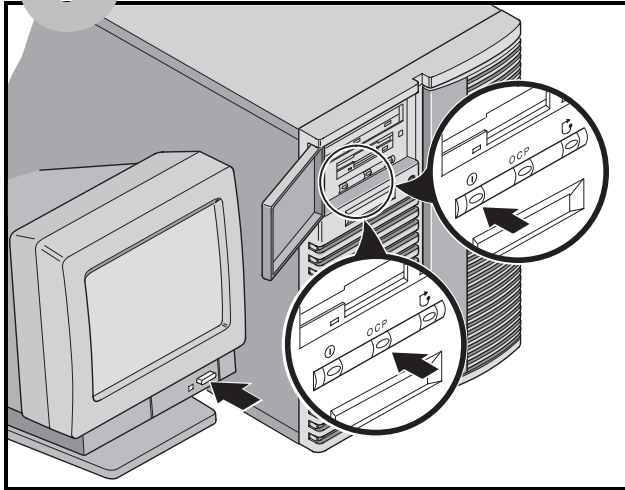
If you have a secondary power supply, connect the remaining ac power cord to the secondary power supply, then to your power outlet.



### CAUTION

Do not attempt to modify or use an external 100 Vac (Japan only) or 115 Vac power cord for 240 Vac input power. Modifying either cord can cause severe equipment damage.

## 5 Turn on the monitor and then the server



1. Turn on the monitor.
2. Turn on the server.
3. The Operator Control Panel (OCP) display should turn on by itself. If it doesn't, press the OCP button.
4. Adjust the monitor contrast and brightness to obtain a readable screen display.

### NOTE

Refer to your *System Reference* manual for BIOS, Power-on-self-test (POST), and OCP messages.

Front panel switch icons are, from left to right, power, OCP backlight, and server reset.

# 6

## If you installed optional expansion boards

Your server was setup for normal operation at the factory and will operate properly without additional configuration. However, you may need to use one of the following utilities if you installed expansion boards:

- BIOS Setup Utility
- SCSI Configuration Utility
- Mylex™ Configuration Utility for RAID

The default device scan sequence is also listed here.

### **Accessing the BIOS Setup Utility**

Use the BIOS Setup Utility if you experience problems with your hard disk or if you need to reconfigure your on-board controller or boot settings. To access the BIOS Setup Utility, perform the following steps:

1. Turn on your server and allow the Power-On Self Test (POST) to run.
2. During the boot process, note any configuration errors listed. At the DIGITAL banner, press [F2] for Setup or [F3] for System Management.
3. Follow the instructions on your monitor.

On-line help is available by pressing [F1]. Navigation keys are displayed at the bottom of all menus.

### *Changing the Boot Device Priority*

1. Access the BIOS Setup Utility [F2].
2. At the top of the Main menu, select Boot.
3. Select "Boot Device Priority" and press [Enter].
4. Use the up and down arrow keys to select a device; then use the + and - keys to move the selection up or down:

1. ATAPI CD-ROM Drive
2. Diskette Drive
3. Hard Drive

5. To Save, press [Escape]. On the top screen menu, select Exit. The screen displays the message "Save configuration changes and exit now." Select Yes and press [Enter]. The system will reboot and automatically save your changes.

### *Changing Conflicting IRQs*

1. Access the BIOS System Management utility [F3] and select <PCI> to check the status of the PCI IRQ assignments. Note any conflicts between IRQ settings.
2. If you need to change any IRQ settings or reserve an IRQ for an ISA expansion board, reboot the server and access the BIOS Setup Utility [F2].
3. Select Advanced at the top of the screen.
4. Select **PCI Configuration** and press [Enter].
5. Highlight the PCI IRQ line number to change and press [Enter].
6. Use the + and - keys to select an available IRQ number, auto select, or disabled. An asterisk (\*) appears to the left of the line if the IRQ is in use. After making a selection, press [Enter].
7. To reserve memory and an IRQ number for an ISA expansion board, select the following menu items:  
**PCI/PNP ISA UMB Region Exclusion**  
**PCI/PNP ISA IRQ Resource Exclusion**
8. To Save, press [Escape]. On the top screen menu, select Exit.



## Expansion boards continued

### SCSI Configuration Utility

If a SCSI option has been added to your server, you may run the SCSI Configuration Utility to configure the newly added card(s) or disk drive(s).

Press Ctrl + C when prompted during the boot process to run the SCSI Configuration Utility.

Refer to your *System Reference* manual for additional information on this utility.

### NOTE

If you installed SCSI cards, make sure that the MS-DOS partition resides on the boot device. If not, shut down the server, change the order of the cards and reconfigure your server. Refer to the device scan sequence later on this page.

### Mylex Configuration Utility

If the server detects the presence of a Mylex™ RAID controller, the RAID utility is invoked. This utility allows you to configure any newly installed RAID devices.

### Device Scan Sequence

Devices are identified and initialized in the following order:

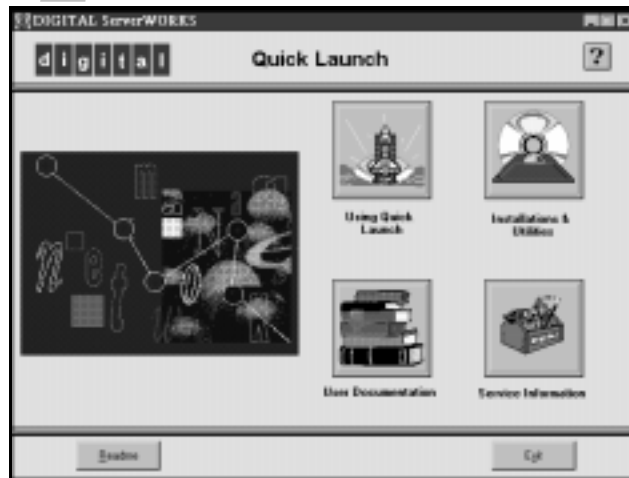
- IDE CD-ROM drive
- Onboard SCSI controllers, Channel 1 then Channel 2
- PCI slots 1-10
- ISA slots 1 and 2



### CAUTION

Changing some settings might cause your server to operate improperly. It is important for you to read carefully and understand the information about BIOS setup in your *System Reference* before attempting to modify the server's factory settings.

# 7 Run the Quick Launch CD-ROM program



Use the Quick Launch bootable software to complete the server installation. Follow these steps to configure your DIGITAL Server and install an operating system.

## NOTE

The minimum requirements to run Quick Launch are 16 MB of RAM, a hard disk drive, mouse, keyboard, monitor, network card and a CD-ROM drive.

1. Locate the Quick Launch bootable CD-ROM disc in your DIGITAL ServerWORKS software kit. Power on your server to boot from the CD-ROM.
2. Choose your language from the selections available.
3. When prompted, you can create an MS-DOS partition size appropriate for your operating system. You are prompted to confirm your choice. Note that *Windows NT* requires a partition size of 35 MB. *Novell NetWare* operating systems require 30 MB.

The Quick Launch main screen is displayed.

4. Select *Installations & Utilities* from the Quick Launch main screen.
5. Choose the *Express* tab to install *Windows NT* or the *NetWare* operating system automatically.
6. Select the operating system icon and a version and press Continue.

Continue to the next page and supply the information requested.

The *Create Diskettes* tab allows you to create the utilities and driver diskettes required when installing *SCO UNIX* or *OS/2* operating systems.

Refer to the *ServerWORKS Quick Launch Getting Started* guide included with the ServerWORKS software kit for additional information.

## 8

## Express operating system installation

**Express Installation of Microsoft Windows NT Server or Novell NetWare**

You will be asked to provide the following information during an *Express* install of Microsoft *Windows NT* or Novell *NetWare* operating systems.

*Windows NT Server*

User's Name \_\_\_\_\_

Organization Name \_\_\_\_\_

Server Name \_\_\_\_\_

NT CD Key \_\_\_\_\_

NT Server Type \_\_\_\_\_

License \_\_\_\_\_

Time Zone \_\_\_\_\_

Work Group Name \_\_\_\_\_

Domain Name\* \_\_\_\_\_

Domain Password \_\_\_\_\_

## Network

 Install NWLink Install NetBEUI Install TCP/IP Install SNMP

## File System

 NTFS FAT Apply Service Packs

## Applications

 Oracle Internet Information Server*Novell NetWare*

Server Name \_\_\_\_\_

Organization Name \_\_\_\_\_

Directory Tree Name \_\_\_\_\_

Administrator Password \_\_\_\_\_

Frame Type \_\_\_\_\_

IPX External Network Number \_\_\_\_\_

Time Zone \_\_\_\_\_

Fill in the information as required. Have your Microsoft *Windows NT* or Novell *NetWare* software kit ready. Follow the instructions on the screen to begin your operating system installation.

**NOTE**

The Simple Network Management Protocol (SNMP) and the Internet Information Server applications are available only when "Install TCP/IP" is selected.

\* For a DIGITAL cluster, use a different Server Name for each server but the same Domain name for each server.

# 9

## Creating server utility and device driver diskettes

If desired, you can create the required diskettes from Windows-based workstations using these procedures:

1. Locate the Quick Launch bootable CD-ROM disc in your ServerWORKS software kit. Insert the disc into the CD-ROM drive.
2. From the Start Menu, select *Run qlaunch.exe* from the root directory of the CD-ROM disc. The program will start automatically if Windows 95 or Windows NT V4.0 and greater are installed.
3. Select the *Installations & Utilities* button.
4. Choose either the *Create Diskettes* tab or the *Utilities* tab. *Utilities* is the default. If you choose *Create Diskettes*, first select a model, then a network operating system and its version. Select Continue. If you choose *Utilities*, select a server model to see the utilities for that server.
5. Select the utility or driver you want, then select Continue.
6. Insert a formatted, high density diskette into Drive A and select Continue.

### NOTE

For more information, refer to the *ServerWORKS Quick Launch Getting Started* guide and the on-line help in the ServerWORKS Quick Launch program.

The following is a list of device drivers you might need:

- SCSI—enables your server to operate using the on-board SCSI controllers.
- Video—enables your server to operate using the on-board video controller or other supported video cards.
- RAID—enables your server to operate using a RAID controller.
- Network—choose from several device drivers for DIGITAL supported network interface cards.

The following is a list of bootable server utilities:

- RAID—enables you to make a bootable RAID configuration utility diskette for use when configuring your RAID array.
- Diagnostics—enables you to make bootable diskettes for use when troubleshooting your server.
- BIOS Upgrade Utility—enables you to update and restore your server's BIOS.
- System Identification Utility—enables you to update the server model name if you add another processor.

# 10 Register your server and review your documentation

## Register

1. Record the server's model number and serial number here.

- Server Family Description:

DIGITAL Server 5220

(located on the front of the server)

- Server Model Number:

\_\_\_\_\_

(located on the back of the server)

- Server Serial Number:

\_\_\_\_\_

(located on the back of the server)

2. Send in the registration card contained in your DIGITAL Server Documentation box.

## Warranty

- 3-year on-site hardware warranty.
- Refer to your Warranty and Service Information for specific warranty terms and conditions.

## If You Need Help

If you have questions about your server hardware, software, or warranty, please contact DIGITAL's Customer Service organization.

## Before You Call DIGITAL

1. Run the diagnostics shipped with your server to isolate the problem. You can run the diagnostics from the MS-DOS partition created by Quick Launch, or you can create diagnostics diskettes from Quick Launch by using the *Utilities* option located under the *Installations & Utilities* button.
2. Have the server's model number and serial number available before you call.
3. Record any error messages and be prepared to describe the sequence of events that led to your problem.
4. Call 1-800-354-9000.

## For Technical Support

Technical information is available 24 hours a day on the Internet. For product information, use the address:

<http://www.windows.digital.com>

For technical support, use the address:

<http://www.windows.digital.com/support/support.asp>

For access directly to the software library for BIOS and driver updates, use the address:

<http://www.windows.digital.com/~ftp/00-index.stm>



## Install the DIGITAL ServerWORKS Manager software

After your server and network operating system installation is complete, install the DIGITAL ServerWORKS Manager software to:

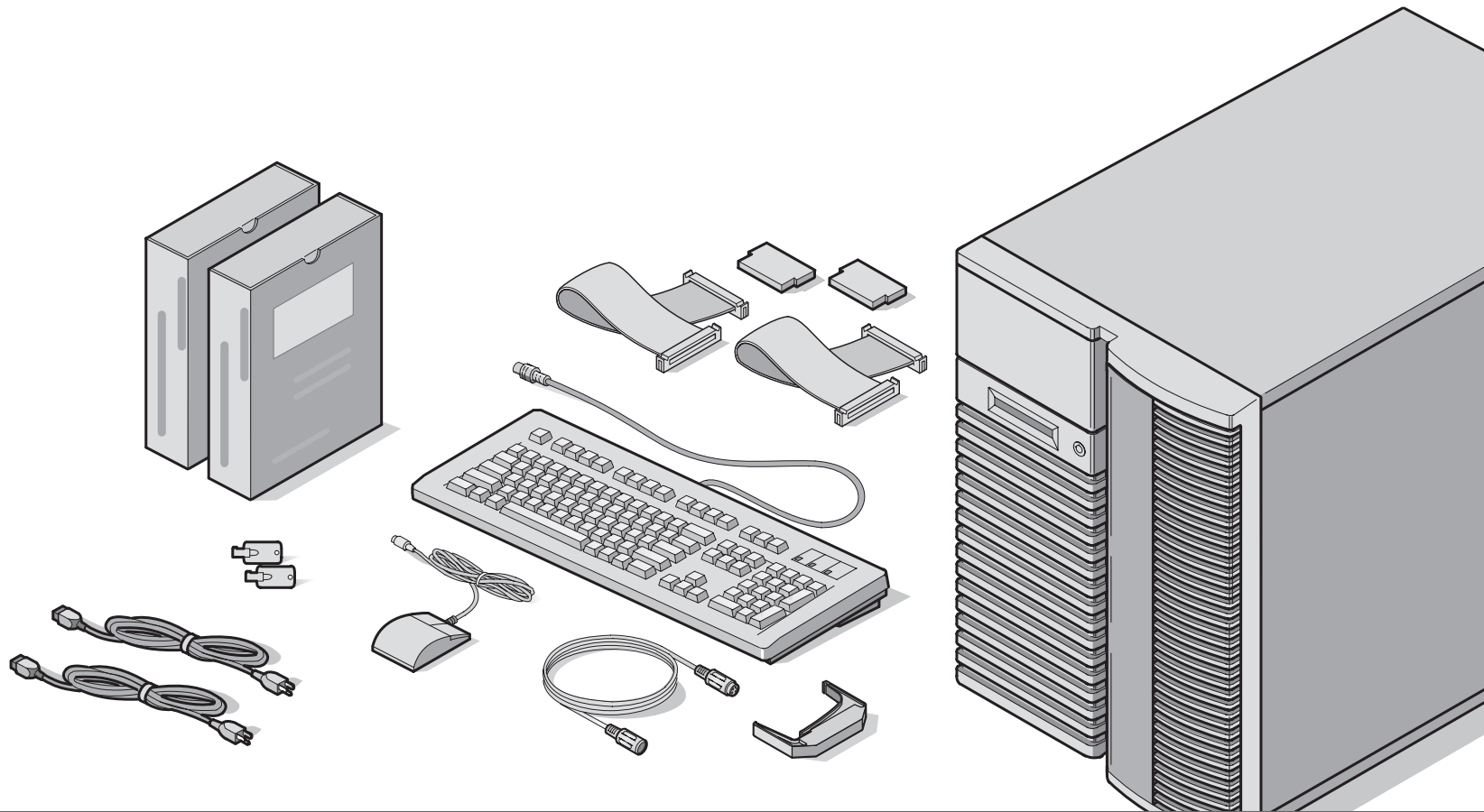
- Access an easy-to-use server management interface
- Monitor critical PC server statistics
- Obtain an easy-to-read topology map of the network
- Manage server fault conditions
- Support distributed SNMP network devices from anywhere on the LAN

### **NOTE**

Refer to the *Installation and User's Guide* in the DIGITAL ServerWORKS Manager software kit for installation information and a list of supported operating systems.



# **DIGITAL-Server der Baureihe 5220 Installationshandbuch**



# Herzlich Willkommen

*... im Kreis der DIGITAL 5220 Server-Kunden. Die DIGITAL Server-Familie bietet kompromißlose Qualität zusammen mit preisgekröntem Kundendienst und Support. Die nachfolgenden Anweisungen werden Ihnen helfen, die Server-Hardware und -Software schnell und problemlos einzurichten.*

## **DIGITAL ServerWORKS Schnellstart**

Mit dem DIGITAL ServerWORKS Schnellstartprogramm ist das Installieren und Konfigurieren von Hardware und Netzwerk-Betriebssystemen auf den Servern von DIGITAL so einfach wie noch nie. Das Schnellstartprogramm kombiniert eine intuitive Benutzeroberfläche mit flexiblen, zeitsparenden Funktionen. Die Installation ist exakt, konsistent und für die hoch angesehenen, leistungsstarken Server optimiert.

Zusätzlich zur automatisierten Express-Installation für Netzwerkbetriebssysteme (Network Operating Systems) umfaßt Quick Launch ein umfassendes Archiv mit Server-Dokumentation, Tips zur Fehlersuche und -behebung, sowie Konfigurations- und Diagnoseprogrammen.

## **Bevor Sie anfangen**

Wählen Sie einen geeigneten Montage- und Standort aus, der folgenden Anforderungen genügt:

- Netz- und Telefonsteckdosen müssen erreichbar sein.
- Er ist weder übermäßiger Hitze, starker Staubeentwicklung noch direkter Sonneneinstrahlung ausgesetzt.
- Zur ordnungsgemäßen Belüftung müssen auf allen Seiten mindestens 18 cm Abstand vorhanden sein.
- Der Aufstellungsort muß alle lokalen bzw. regionalen elektrotechnischen Auflagen betreffend der Installation von Informationstechnologiegeräten durch geprüfte Elektriker erfüllen.

Nähere Informationen zu Temperatur und Luftfeuchtigkeit finden Sie unter „Technische Daten“ im Systemreferenzhandbuch.

Falls Sie den Server nicht selbst installieren wollen, setzen Sie sich mit dem DIGITAL-Kundendienst in Verbindung. Ein Kundendiensttechniker wird die Installation vornehmen.

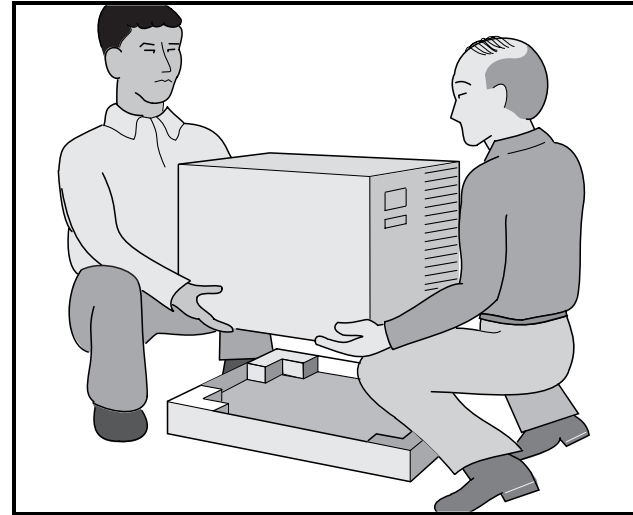
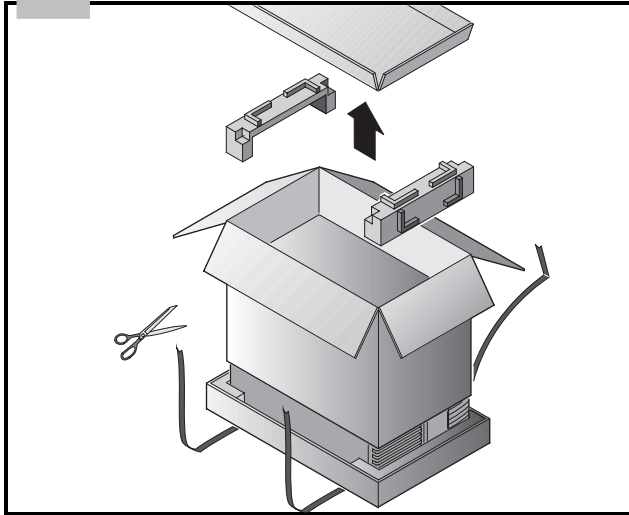


### **VORSICHT**

Den Server unter größter Vorsicht auspacken. Auf Grund seines hohen Gewichts benötigt man zum Auspacken stets zwei Personen. Zuwiderhandlung kann einen Verstoß gegen bestimmte Sicherheitsvorschriften darstellen sowie zu Personen- oder Sachschaden führen.



# 1 Auspacken des Servers



## VORSICHT

Der Server ist schwer. Heben Sie ihn nicht alleine.

Befolgen Sie beim Auspacken die Anweisungen in den Diagrammen auf der Oberseite der Kiste. Verwenden Sie eine mechanische Hebehilfe oder bitten Sie jemand um Hilfe und heben Sie ihn von der Kartonbasis.

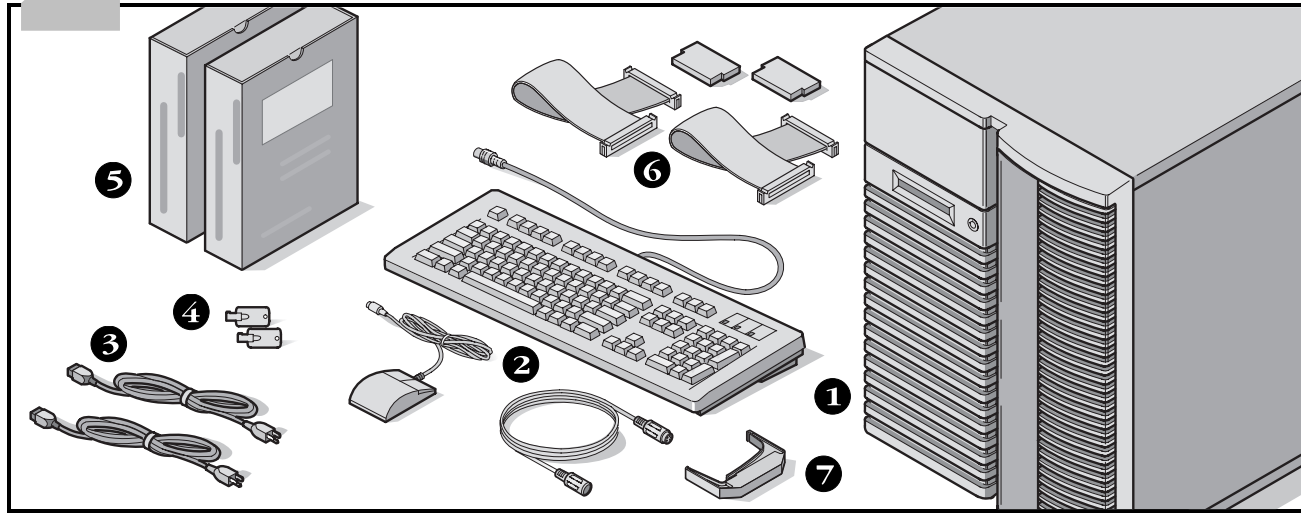
- Legen Sie vor dem Heben fest, wo Sie den Server absetzen wollen.
- Wir empfehlen den Server auf seinen Rollen zu schieben bzw. zu ziehen anstatt ihn umherzutragen.
- Stellen Sie sich mit den Füßen auseinander und mit gutem Halt vor den Server.

- Beugen Sie Ihre Knie und halten Sie Ihren Rücken dabei gerade.
- Suchen Sie einen festen Griff am Gehäuse. Heben Sie mit Ihren Beinen und halten Sie Ihren Rücken dabei unbedingt gerade.
- Vermeiden Sie eine Verwindung Ihres Oberkörpers. Drehen Sie sich mit Ihren Füßen.
- Vorsichtig absetzen und dabei Beinmuskeln einsetzen. Halten Sie Ihren Rücken gerade.
- Rollen Sie den Server an seinen Aufstellungsort und setzen Sie die Bremse wie in Arbeitsschritt 3, Hinweis **A** beschrieben.

Nachdem der Server ausgepackt ist, bitte wir Sie, für das Recycling der Verpackungsmaterialien zu sorgen bzw. dieses ordnungsgemäß zu entsorgen.

DEUTSCH

## 2 Teile überprüfen



Packen Sie die Teile des Servers aus und machen Sie sich mit ihnen vertraut.

- ➊ DIGITAL Server 5220
- ➋ Landespaket mit Tastatur, Tastaturkabel und Maus (separat zu bestellen)
- ➌ Je nach Konfiguration bis zu 3 Netzkabel
- ➍ Server-Schlüssel
- ➎ Server-Software- und Dokumentations-Pakete.
- ➏ SCSI- und IDE-Kabel und -Terminatoren (Je nach Konfiguration sind bis zu drei lose Kabel zusätzlich zu den bereits installierten Kabeln vorhanden).
- ➐ Herausziehwerkzeug für Hotswap-Laufwerke

### HINWEIS

Bildschirm muß separat bestellt werden.

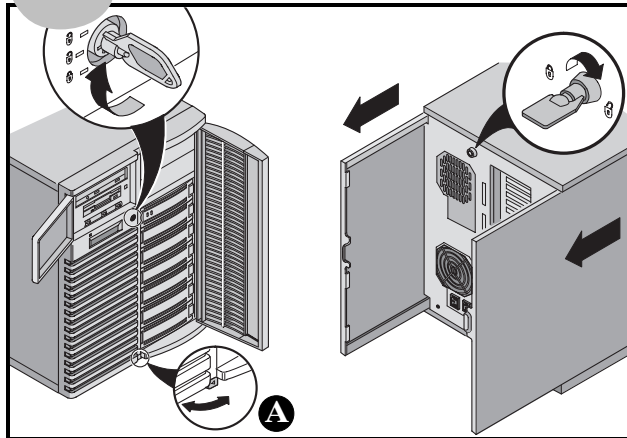
Zum DIGITAL ServerWORKS-Softwarepaket gehören:

- ServerWORKS Quick Launch-Kit: ServerWORKS Quick Launch CD-ROM Software und *Handbuch für den direkten Einstieg*.
- ServerWORKS Verwaltung: ServerWORKS Verwaltungssoftware und Dokumentation.

Zum DIGITAL Server-Dokumentationspaket gehören:

- Dieses *Installationshandbuch*, die *Systemreferenz*, die *Dokumentationsübersicht*, Garantie- und Service-Informationen und Registrierungskarte.

## 3 Installation interner Optionen



Etwaige zu installierende Erweiterungskarten sollten jetzt installiert werden. Zur Installation interner Optionen gehen Sie folgendermaßen vor:

**ACHTUNG**  
Bevor Sie eine Leiterplatte oder ein Bauteil berühren sollten Sie eine Antistatik-Armband tragen, das über das Server-Chassis geerdert ist, oder den Metallrahmen des Servers berühren, um ggf. existierende statische Aufladung zu eliminieren.

1. Türen entriegeln.
2. Seitenabdeckungen entriegeln.
3. Seitenabdeckungen abnehmen.
4. Installation Optionen.



### ACHTUNG

Das Entfernen der Seitenabdeckungen aktiviert Verriegelungsschalter, die den Stromfluß zum Server unterbrechen. Ein Überbrücken dieser Schalter kann zu Personen- oder Sachschäden führen. Vor dem Einschalten des Servers müssen die Seitenabdeckungen angebracht sein.

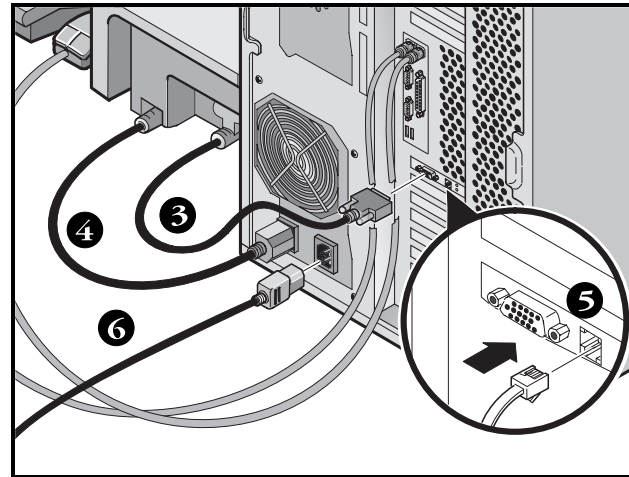
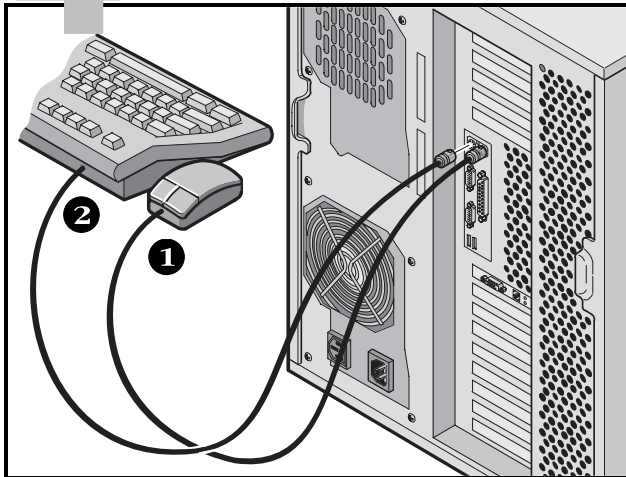
Bevor Sie eine Leiterplatte oder ein Bauteil berühren sollten Sie eine Antistatik-Armband tragen, das über das Server-Chassis geerdert ist, oder den Metallrahmen des Servers berühren, um ggf. existierende statische Aufladung zu eliminieren.

### HINWEIS

**A** Den Server mit Hilfe der an der Unterseite angebrachten Feststellbremse an seinem Standort fixieren.

Weitere Informationen hierzu finden Sie in der *Systemreferenz* und der zu den jeweiligen zu installierenden Option mitgelieferten Dokumentation.

## 4 Signal- und Netzkabel anbringen



1. Schließen Sie die Maus an.
2. Schließen Sie die Tastatur an.
3. Schließen Sie das Bildschirmsignalkabel an.
4. Schließen Sie das Bildschirmnetzkabel an.
5. Schließen Sie das 10/100Base-T Netzwerkkabel an.
6. Schließen Sie das AC-Netzkabel an.

### HINWEIS

Bildschirme mit einer Diagonalen von 17 Zoll oder mehr benötigen u.U. mehr Strom, als an der Netzbuchse des Servers zur Verfügung steht. Die Stromkabel solcher Bildschirme müssen direkt in eine Wandsteckdose eingesteckt werden.

### HINWEIS

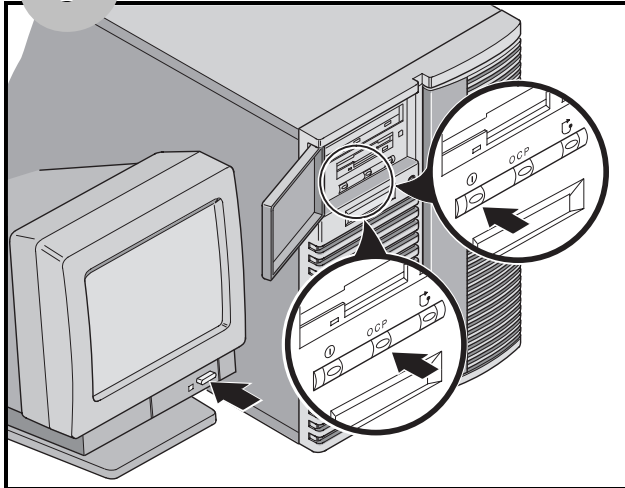
Wenn ein sekundäres Netzteil vorhanden ist, schließen Sie die restlichen Kabel an das sekundäre Wechselstrom-Netzteil und dann an eine Netzsteckdose an.



### ACHTUNG

Netzkabel, die für 100 V Wechselstrom (nur für Japan) oder 115 V Wechselstrom vorgesehen sind, dürfen nicht an einem 240-V-Stromnetz verwendet oder für ein 240-V-Stromnetz modifiziert werden, da dies zu schweren Sachschäden führen kann.

## 5 Erst den Bildschirm und dann den Server einschalten



1. Bildschirm einschalten.
2. Server einschalten.
3. Die Operator Control Panel (OCP - Bedienersteuerfeld) -Anzeige sollte sich von selbst einschalten. Wenn dies nicht der Fall ist, drücken Sie die OCP-Taste.
4. Am Bildschirm Kontrast und Helligkeit einstellen, bis die Bildschirmdarstellung optimal sichtbar ist.

### **HINWEIS**

Nähere Einzelheiten zu BIOS- und POST-Meldungen finden Sie im Systemreferenzhandbuch.

Die Symbole der Kontrollanzeige stehen (von links nach rechts) für Netz, Hintergrundbeleuchtung und Systemrücksetzung.

DEUTSCH

# 6

## Falls optionale Erweiterungskarten installiert wurden

Der Server wurde herstellerseitig komplett für den normalen Betrieb eingerichtet und funktioniert ohne weitere Konfiguration. Falls Sie aber zusätzliche Erweiterungskarten installiert haben, muß unter Umständen eines der folgenden Konfigurationsprogramme ausgeführt werden:

- BIOS Setup-Programm
- SCSI-Konfigurationsprogramm
- Mylex™ Konfigurationsprogramm für RAID

Außerdem finden Sie hier die Voreinstellungen für die Scan-Sequenz der Geräte.

### Aufruf des BIOS Setup-Programms

Rufen Sie das BIOS Setup-Programm auf, wenn Probleme mit der Festplatte auftreten oder falls der Onboard-Controller oder die Boot-Einstellungen neu konfiguriert werden müssen. Gehen Sie zum Aufruf des BIOS Setup-Programms folgendermaßen vor:

1. Schalten Sie den Server ein und warten Sie die Ausführung des POST (Einschaltselbsttest) ab.
2. Notieren Sie sich gegebenenfalls beim Boot-Prozeß angezeigte Fehlermeldungen. In der DIGITAL-Bildschirmanzeige drücken Sie die Funktionstaste [F2] für Setup oder [F3] für System Management.
3. Folgen Sie den Bildschirmhinweisen.

Online-Hilfe ist durch Drücken von [F1] verfügbar. Im unteren Bereich der Menüs werden Navigationstasten angezeigt.

### *Ändern der Priorität der Boot-Geräte*

1. Rufen Sie das BIOS Setup-Programm auf [F2].
2. Im Menü **Main** wählen Sie die Option **Boot**.

3. Wählen Sie die Option **Boot Device Priority**, und drücken Sie [Eingabe].
4. Verwenden Sie die Pfeiltasten [Unten] und [Oben], um ein Gerät zu wählen. Verwenden Sie dann die Tasten [+] und [-], um die Auswahl nach oben bzw. unten zu bewegen:
  1. ATAPI CD-ROM Drive
  2. Diskette Drive
  3. Hard Drive
5. Um die Änderungen zu speichern, drücken Sie [Esc]. Im obersten Bildschirmmenü wählen Sie die Option **Exit**. Auf dem Bildschirm erscheint die Meldung **Save configuration changes and exit now**. Wählen Sie die Option **Yes** und drücken Sie [Eingabe]. Das System wird erneut gestartet und die Änderungen werden automatisch gespeichert.

### *Ändern von IRQs, die miteinander in Konflikt geraten*

1. Rufen Sie das BIOS System Management-Programm [F3] auf und wählen Sie die Option **<PCI>**, um den Status der PCI IRQ-Zuweisungen zu überprüfen. Achten Sie besonders auf Konflikte zwischen den IRQ-Einstellungen.
2. Falls IRQ-Einstellungen geändert werden müssen oder ein IRQ für eine ISA-Erweiterungskarte reserviert werden soll, starten Sie den Server erneut und rufen Sie das BIOS Setup-Programm auf [F2].
3. Wählen Sie im oberen Bereich des Bildschirms die Option **Advanced**.
4. Wählen Sie die Option **PCI Configuration** und drücken Sie [Eingabe].

## Erweiterungskarten Fortsetzung

5. Markieren Sie die PCI IRQ- Zeilennummer, die geändert werden soll, und drücken Sie [Eingabe].
6. Verwenden Sie die Pfeiltasten [Unten] und [Oben], um eine verfügbare IRQ-Nummer, `auto select` oder `disabled` zu wählen. Bereits vergebene IRQs sind mit einem Asterisk ( \* ) gekennzeichnet. Nachdem Sie Ihre Auswahl getroffen haben, drücken Sie [Eingabe].
7. Um Speicher und eine IRQ-Nummer für eine ISA-Erweiterungskarte zu reservieren, wählen Sie folgende Menüoptionen:  
`PCI/PNP ISA UMB Region Exclusion`  
`PCI/PNP ISA IRQ Resource Exclusion`
8. Um die Änderungen zu speichern, drücken Sie [Esc]. Im obersten Bildschirmmenü wählen Sie die Option `Exit`.

### SCSI-Konfigurationsprogramm

Falls in Ihrem Server eine SCSI-Option eingebaut wurde, sollte das SCSI-Konfigurationsprogramm ausgeführt werden, um die neu eingebaute(n) Karte(n) oder Festplatte(n) zu konfigurieren.

Wenn während dem Boot-Prozeß abgefragt wird, ob das SCSI-Konfigurationsprogramm ausgeführt werden soll, drücken Sie [Strg] + [C].

Weitere Informationen zu diesem Programm finden Sie in der *Systemreferenz*.

### HINWEIS

Falls SCSI-Karten installiert wurden, sollte sich die MS-DOS Partition auf dem Boot-Gerät befinden. Falls dies nicht der Fall ist, fahren Sie den Server herunter, ändern Sie die Reihenfolge der Karten und konfigurieren Sie den Server erneut. Weitere Informationen hierzu finden Sie im folgenden Abschnitt zur Scan-Sequenz der Geräte.

### Mylex-Konfigurationsprogramm

Falls der Server das Vorhandensein eines Mylex™ RAID-Controllers feststellt, wird das RAID-Konfigurationsprogramm aufgerufen. Mit diesem Programm kann ein neu installiertes RAID-Gerät konfiguriert werden.

### Scan-Sequenz der Geräte

Die Geräte werden in der folgenden Reihenfolge identifiziert und initialisiert:

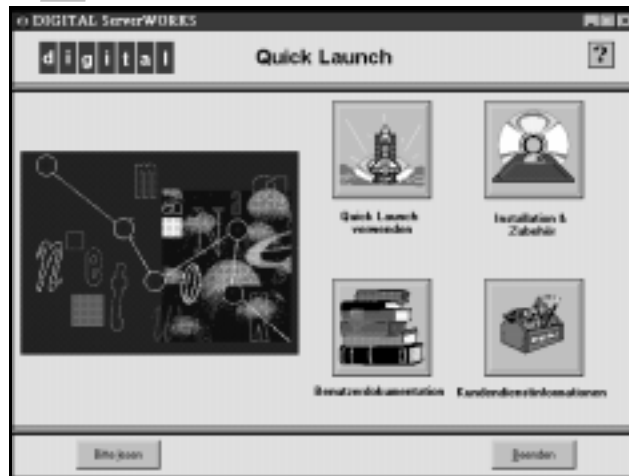
- IDE CD-ROM-Laufwerk
- Onboard SCSI-Controller, Kanal 1 dann Kanal 2
- PCI-Steckplätze 1-10
- ISA-Steckplätze 1 und 2



### VORSICHT

Die Änderung bestimmter Einstellungen kann zu Fehlfunktionen des Servers führen. Sie sollten auf jeden Fall die Informationen zum BIOS-Setup in der *Systemreferenz* aufmerksam durchlesen und verstehen, bevor Sie die herstellereitigen Einstellungen des Servers ändern.

# 7 CD-ROM-Schnellstartprogramm ausführen



Verwenden Sie die startfähige Quick Launch-Software zum Abschluß der Server-Installation. Nachfolgende Schritte erläutern die Konfiguration des DIGITAL Servers und die Installation eines Betriebssystems.

## HINWEIS

Die Minimalanforderungen zur Ausführung von Quick Launch sind 16MB RAM, eine Festplatte, eine Maus, eine Tastatur, ein Bildschirm, eine Netzkarte und ein CD-ROM-Laufwerk.

1. Legen Sie die startfähige Quick Launch CD-ROM aus dem DIGITAL ServerWORKS Software-Kit in das CD-ROM-Laufwerk ein und schalten Sie den Server ein.

2. Wählen Sie die gewünschte Sprache aus den verfügbaren Auswahlen.
  3. Bei der entsprechenden Eingabeaufforderung können Sie eine MS-DOS-Partitionsgröße angeben, die den Anforderungen Ihres Betriebssystems entspricht. Das System erbittet eine Bestätigung Ihrer Auswahl. Beachten Sie, daß Windows NT eine Partitionsgröße von 35 MB erfordert. *Novell NetWare*-Betriebssysteme benötigen 30 MB Speicherplatz auf der Festplatte.  
Die Hauptbildschirmanzeige von Quick Launch wird angezeigt.
  4. Wählen Sie aus der Hauptbildschirmanzeige die Option *Installation & Zubehör*.
  5. Wählen Sie das Register *Schnellinstallation* zur automatischen Installation von *Windows NT* bzw. des *NetWare*-Betriebssystems.
  6. Wählen Sie das Operating System-Symbol (Betriebssystem) und eine Version, und klicken Sie auf „Weiter“.  
Geben Sie auf der nächsten Seite die angeforderten Informationen ein.  
Im Register *Disketten erstellen* können Sie Dienstprogramm- und Treiber-Disketten erstellen, die erforderlich sind, wenn Sie die Betriebssysteme *SCO UNIX* oder *OS/2* installieren.
- Weitere Informationen hierzu finden Sie im *ServerWORKS Quick Launch Handbuch für den direkten Einstieg*, der zum ServerWORKS Software-Kit gehört.



# 8

## Schnellinstallation des Betriebssystems

### Schnellinstallation von Microsoft Windows NT Server & Novell NetWare

Bevor die *Schnellinstallation* der Betriebssysteme Microsoft *Windows NT* oder *Novell NetWare* durchgeführt werden kann, werden folgende Informationen abgefragt.

#### *Windows NT Server*

Benutzername \_\_\_\_\_

Name der Organisation \_\_\_\_\_

Server-Name \_\_\_\_\_

NT CD-Schlüssel \_\_\_\_\_

NT Server-Typ \_\_\_\_\_

Lizenz \_\_\_\_\_

Zeitzone \_\_\_\_\_

Arbeitsgruppenname \_\_\_\_\_

Domänenname \_\_\_\_\_

Domänenkennwort \_\_\_\_\_

#### Netzwerk

- NWLink installieren
- NetBEUI installieren
- TCP/IP installieren
  - Installation von SNMP

#### Dateisystem

- NTFS
- FAT

Einsatz von Service-Paketen

#### Anwendungsprogramme

- Oracle
- Internet Information Server

#### *Novell NetWare*

Server-Name \_\_\_\_\_

Name der Organisation \_\_\_\_\_

Name der Verzeichnisstruktur \_\_\_\_\_

Verwalter-Paßwort \_\_\_\_\_

Rahmentyp \_\_\_\_\_

IPX Externe Netzwerknummer \_\_\_\_\_

Zeitzone \_\_\_\_\_

Füllen Sie die geforderte Information aus und halten Sie das Microsoft Windows NT oder Novell NetWare Softwarepaket bereit. Folgen Sie zur Installation des Betriebssystems den Angaben auf dem Bildschirm.

#### **HINWEIS**

Die Anwendungen Simple Network Management Protocol (SNMP) und Internet Information Server sind nur verfügbar, wenn „Install TCP/IP“ ausgewählt wurde.

\* Für ein DIGITAL-Cluster sollten Sie für jeden Server einen anderen Server-Namen, aber denselben Domännennamen verwenden.

## 9 Disketten für Server-Dienstprogramme und Gerätetreiber anlegen

Falls gewünscht, können Sie die erforderlichen Disketten mit auf Windows basierenden Workstations wie folgt erstellen:

1. Die startfähige Quick Launch CD-ROM finden Sie im ServerWORKS Software-Kit. Legen Sie die CD in das CD-ROM-Laufwerk ein.
2. Wählen Sie im Menü *Start* die Option *Run* (bzw. *Ausführen*) *qlaunch.exe* aus dem Stammverzeichnis der CD-ROM. Das Programm wird automatisch gestartet, wenn Windows 95 oder Windows NT V4.0 und höher installiert wird.
3. Klicken Sie auf die Schaltfläche *Installation & Zubehör*.
4. Wählen Sie entweder die Registerkarte *Disketten erstellen* oder *Zubehör*. *Zubehör* ist die Voreinstellung. Wenn Sie *Disketten erstellen* wählen, geben Sie zuerst ein Modell und dann ein Netzwerk-Betriebssystem und dessen Version an. Klicken Sie dann auf *Weiter*. Wenn Sie *Zubehör* wählen, wählen Sie ein Server-Modell, um die Dienstprogramme für diesen Server anzuzeigen.
5. Wählen Sie das gewünschte Dienstprogramm bzw. den gewünschten Treiber und klicken Sie dann auf *Weiter*.
6. Legen Sie eine formatierte High-Density-Diskette in Laufwerk A ein und wählen Sie *Weiter*.

### HINWEIS

Weitere Informationen hierzu finden Sie im *ServerWORKS Quick Launch-Handbuch für den direkten Einstieg* sowie in der Online-Hilfe des ServerWORKS Quick Launch-Programms.

Nachfolgend eine Liste der u.U. benötigten Treiber:

- SCSI—ermöglicht dem Server den Betrieb unter Verwendung des Onboard SCSI-Controllers.
- Video—ermöglicht das Arbeiten des Servers mit den Onboard Bildschirm-Controller und anderen unterstützten Grafikkarten.
- RAID—Hiermit kann der Server eine RAID-Controller nutzen.
- Netzwerk—Auswahl aus mehreren Gerätetreibern für von DIGITAL unterstützte Netzwerk-Schnittstellenkarten.

Nachfolgend eine Liste der startfähigen Server-Dienstprogramme:

- RAID—Hiermit kann eine startfähige RAID Konfigurationsprogramm-Diskette zu Konfiguration eines RAID-Arrays erstellt werden.
- Diagnostics—Hiermit können startfähige Disketten zur Fehlersuche und -behebung auf dem Server erstellt werden.
- BIOS Upgrade Utility—Hiermit kann der Server-BIOS aktualisiert bzw. wiederhergestellt werden.
- System Identification Utility—Hiermit kann der Server-Modellname aktualisiert werden, falls ein weiterer Prozessor eingebaut wird.

# 10 Server registrieren und Dokumentation noch einmal durchsehen

## Registrieren

1. Tragen Sie hier die Modellbezeichnung und die Seriennummer des Servers ein.

- Server-Familie:

DIGITAL Server 5220

(auf der Server-Vorderseite)

- Modellnummer:

(auf der Server-Rückseite)

- Seriennummer:

(auf der Server-Rückseite)

2. Senden Sie die im DIGITAL-Handbuch enthaltene Registrierkarte ein.

## Gewährleistung

- 3 Jahre Onsite-Gewährleistung für die Hardware.
- Nähere Einzelheiten zu spezifischen Gewährleistungsbedingungen finden Sie unter „*Garantie- und Serviceinformationen*“.

## Wenn Sie Hilfe brauchen

Wenden Sie sich mit allen Fragen zu Hardware, Software oder Garantieleistungen an den DIGITAL-Kundendienst.

*Bevor Sie sich mit DIGITAL in Verbindung setzen*

1. Kreisen Sie das Problem mit Hilfe des mitgelieferten Diagnoseprogramms ein. Das Diagnoseprogramm kann von der MS-DOS-Partition, die von Quick Launch erstellt wurde, oder von den Diagnose-Disketten, die mit der Quick Launch-Option *Zubehör* (wird mit der Schaltfläche *Installation & Zubehör* aufgerufen) erstellt wurde, ausgeführt werden.
2. Halten Sie die Modell- und Seriennummer des Servers bereit.
3. Notieren Sie sich etwaige Fehlermeldungen und merken Sie sich die Reihenfolge der Ereignisse, die zu dem Fehler führen.
4. Wählen Sie 1-800-354-9000.

### *Für technische Informationen*

Technische Informationen sind über das Internet rund um die Uhr verfügbar. Verwenden Sie folgende Internet-Adresse für Produktinformationen:

<http://www.windows.digital.com>

Verwenden Sie folgende Internet-Adresse für Technischen Support:

<http://www.windows.digital.com/support/support.asp>

Verwenden Sie folgende Internet-Adresse für den direkten Zugriff auf die Software-Bibliothek, z.B. für BIOS- und Treiber-Updates:

<http://www.windows.digital.com/~ftp/00-index.stm>



## DIGITAL ServerWORKS Software installieren

Nach erfolgreicher Installation von Server und Betriebssystem installiert man nun die ServerWORKS Verwaltungssoftware. Diese bietet:

- Zugriff auf eine einfach zu benutzende Oberfläche,
- Überwachung kritischer Server-Statistiken,
- einfach zu lesende Topologiekarte des Netzwerks,
- Verwaltung von Server-Fehlerbedingungen und
- Unterstützung von verteilten SNMP-Netzwerkgeräten von beliebigen Punkten im LAN aus.

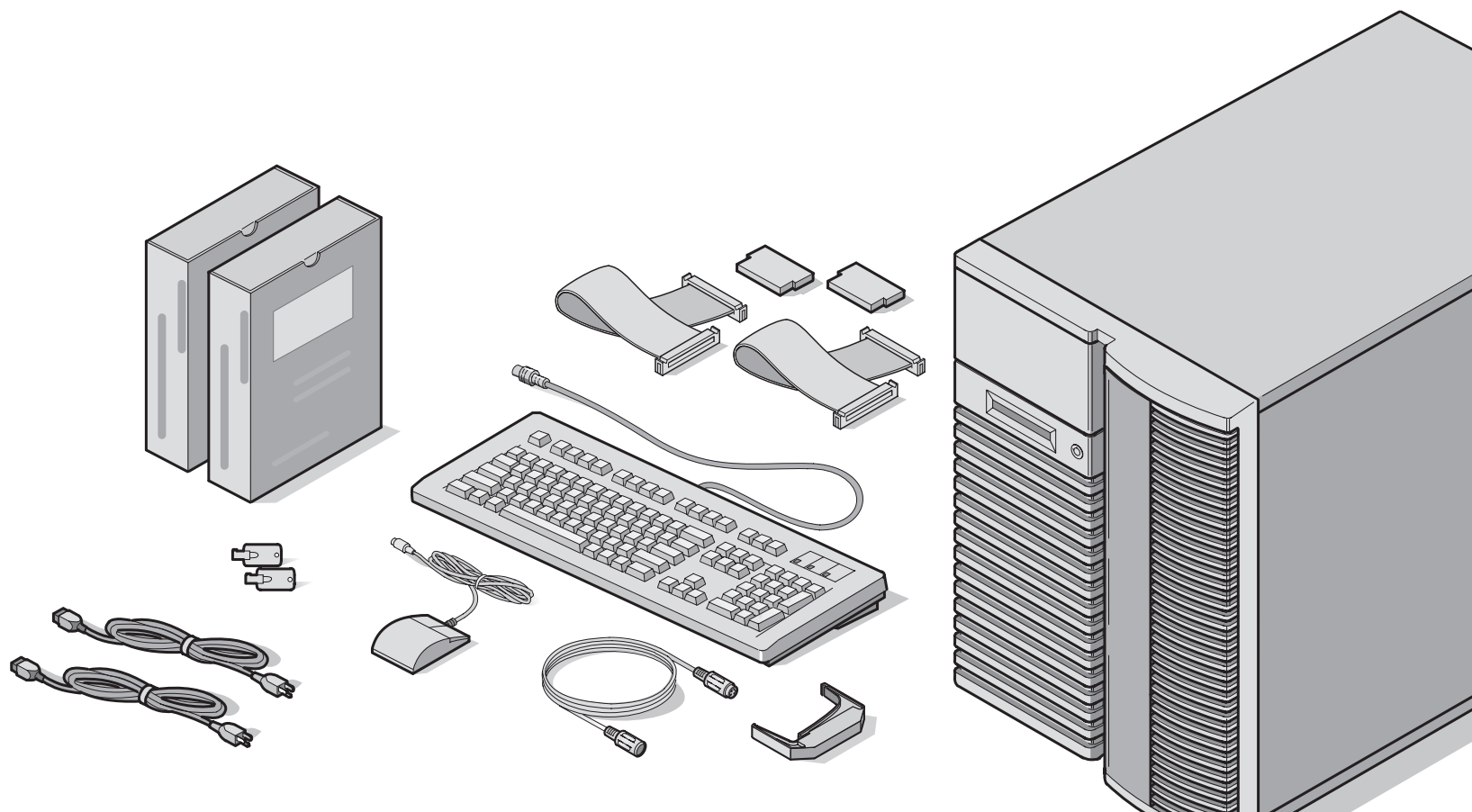
### HINWEIS

Installationsinformationen und eine Liste der unterstützten Betriebssysteme finden Sie *im Übersichts- und Installationshandbuch* im DIGITAL ServerWORKS Manager Software-Kit.



# Servidor DIGITAL™ 5220

## Guía de instalación



# Gracias

*... por adquirir un servidor DIGITAL 5220. La familia de servidores DIGITAL representa el compromiso de DIGITAL de ofrecer calidad absoluta, respaldada por servicio y soporte de primera. Los procedimientos siguientes le ayudarán a configurar con facilidad el hardware y el software de su servidor.*

## **DIGITAL ServerWORKS Quick Launch**

DIGITAL ServerWORKS **Quick Launch** facilita al máximo la instalación y configuración de componentes de hardware y del software de sistemas operativos de red en la línea de servidores de DIGITAL. Quick Launch combina una interfaz intuitiva con características versátiles que le permiten ahorrar tiempo y ejecutar instalaciones precisas y óptimas en los potentes y ovacionados servidores DIGITAL.

Además de ofrecer un método automático pero ampliable para la instalación rápida de sistemas operativos de red, Quick Launch incluye una amplia colección de documentación del servidor, asistencia para resolver problemas, utilidades de configuración y software de diagnóstico.

## **Antes de comenzar**

Busque un sitio adecuado para ensamblar y utilizar el servidor. Asegúrese de que su lugar de trabajo:

- Esté ubicado cerca de tomas eléctricas y telefónicas
- Esté libre de calor y polvo excesivos y protegido de la luz solar directa
- Tenga por lo menos 17 cm de espacio libre alrededor del equipo para facilitar la circulación de aire
- Esté en conformidad con los reglamentos eléctricos locales y regionales que rigen la instalación de equipos de informática por electricistas autorizados.

Consulte “Especificaciones técnicas” en el manual Referencia para el sistema para obtener información sobre temperatura y humedad.

Si no desea instalar el servidor por su cuenta, comuníquese con el departamento de servicio al cliente de DIGITAL. Un técnico de servicio podrá realizar la instalación por usted.

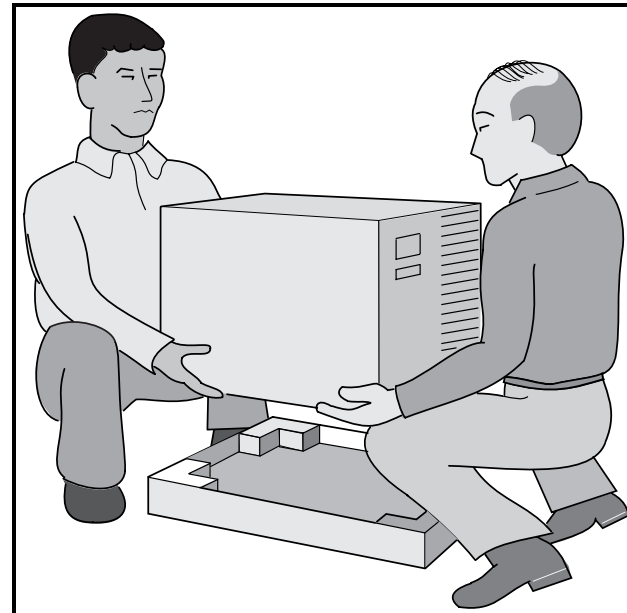
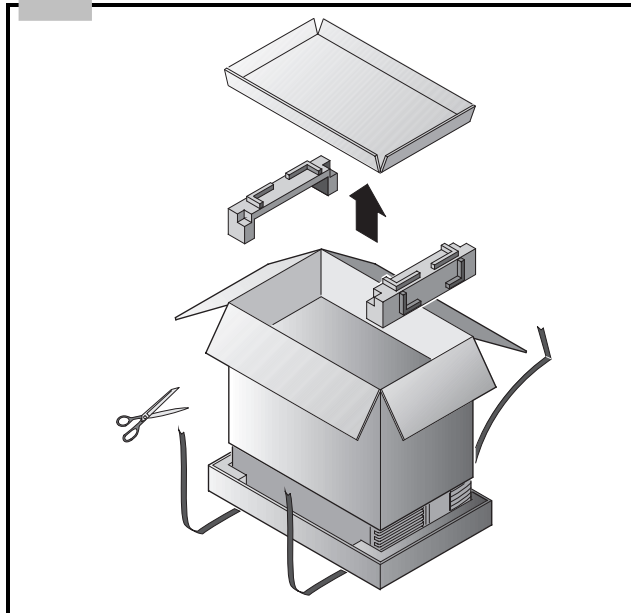


### **PRECAUCIÓN**

Utilice extrema precaución al desembalar el servidor. Debido a su peso, se requieren dos personas para desembalarlo. Si no se usan dos personas, es posible que se violen ciertas normas de seguridad y que se produzcan lesiones personales graves o daños al equipo.

# 1

## Desembale el servidor



### PRECAUCIÓN

El servidor es pesado. Se requiere más de una persona para levantarlo.

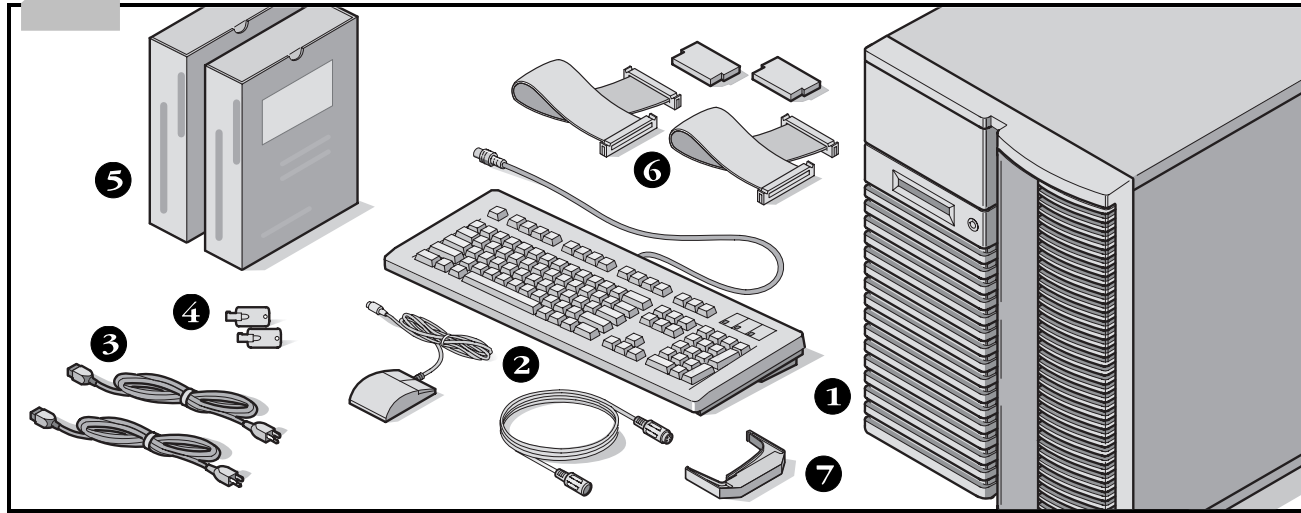
Desembale el servidor siguiendo las indicaciones en la parte superior de la caja. Utilice la asistencia de un dispositivo mecánico o de otra persona para ayudarle a levantarlo de la base de cartón.

- Antes de levantarlo, debe estar seguro del lugar donde lo colocará.
- Haga rodar el servidor sobre sus ruedas en lugar de llevarlo levantado.
- Agáchese, con las rodillas dobladas y la espalda recta.

- Acérquese al servidor, con los pies separados en una posición firme.
- Agarre el servidor con firmeza, levante con las piernas y mantenga recta la espalda.
- Evite torcer la parte superior del cuerpo. Mueva los pies cuando necesite girar.
- Bájelo suavemente usando los músculos de las piernas y manteniendo recta la espalda.
- Haga rodar el servidor a su lugar y ponga el freno como se indica en el paso 3, Nota **A**.

Después de desembalar el servidor, por favor recicle los materiales de embalaje o deséchelos en forma adecuada.

## 2 Verifique las piezas



Desembale el servidor e identifique sus componentes.

- ❶ Servidor DIGITAL 5220
- ❷ Kit local, incluyendo teclado, cable de extensión para el teclado y ratón (se debe pedir por separado)
- ❸ Hasta tres cables de alimentación
- ❹ Llaves del servidor
- ❺ Juegos de software y documentación del servidor
- ❻ Cables y terminadores SCSI e IDE (en algunas configuraciones, es posible que se incluyan hasta tres cables sueltos además de los cables instalados)
- ❼ Herramienta de extracción para unidades con capacidad de intercambio sobre la marcha

### NOTA

Se debe pedir el monitor por separado.

El juego de software ServerWORKS de DIGITAL incluye:

- Kit ServerWORKS Quick Launch: el software de ServerWORKS Quick Launch y la guía *Getting Started*.
- ServerWORKS Manager: software y la documentación de ServerWORKS Manager.

El juego de documentación del Servidor DIGITAL incluye:

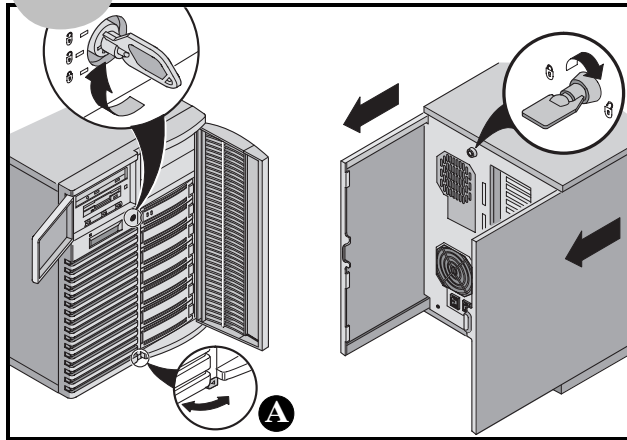
- Esta Guía de instalación, más el manual Referencia para el sistema, Información sobre la documentación, Información de garantía y servicio, Manual del usuario para diagnóstico y Tarjeta de registro.

### NOTA

También se incluye documentación en línea en el CD-ROM Quick Launch.



## 3 Instale cualquier opción interna que tenga



Si tiene dispositivos opcionales para instalar, instálelos ahora. Para instalar opciones internas:

**AVISO**  
Antes de tocar cualquier tarjeta de circuitos u otro componente, póngase una muñequera antiestática, conectada adecuadamente al chasis del servidor como conexión a tierra, o toque la caja metálica del servidor para descargar electricidad estática.

1. Desbloquee las puertas.
2. Desbloquee los paneles laterales.
3. Retire los paneles laterales.
4. Instale las opciones.

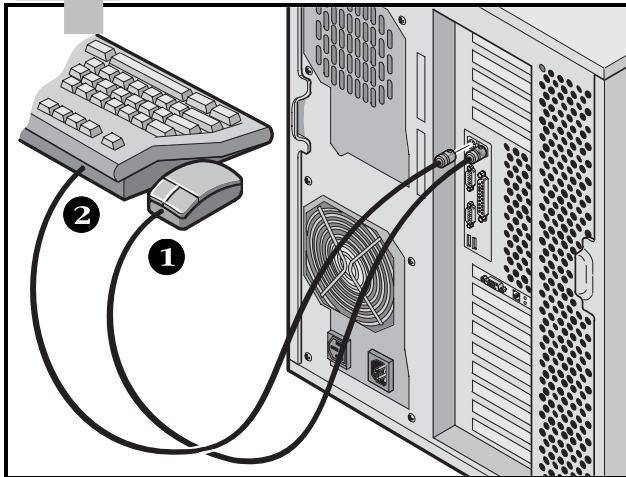
**AVISO**  
Al retirar los paneles laterales, se activan los interruptores de bloqueo de energía. Estos interruptores desconectan el servidor de la fuente de alimentación. Si usted intenta evitar o alterar estos interruptores es posible que cause daños a sí mismo o al servidor. Siempre vuelva a colocar los paneles laterales antes de encender el servidor.

Antes de tocar cualquier tarjeta de circuitos u otro componente, póngase una muñequera antiestática, conectada adecuadamente al chasis del servidor como conexión a tierra, o toque la caja metálica del servidor para descargar electricidad estática.

**NOTA**  
Utilice el freno ubicado al pie del servidor **A** para fijar el servidor en su lugar.

Para obtener información detallada, consulte el manual *Referencia para el sistema*. Consulte también la documentación suministrada con el dispositivo opcional para obtener instrucciones específicas sobre la instalación de éste.

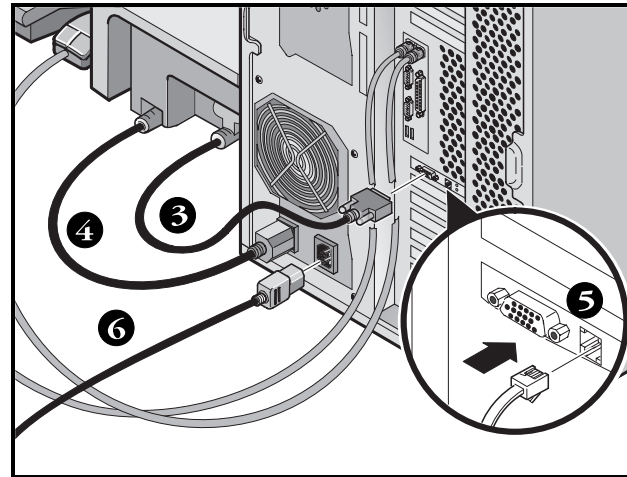
## 4 Conecte los cables, incluyendo el cable de alimentación



1. Conecte el ratón.
2. Conecte el teclado.
3. Conecte el cable de señal del monitor.
4. Conecte el cable de alimentación del monitor.
5. Conecte el cable de red 10/100Base-T.
6. Conecte el cable de alimentación.

### NOTA

Algunos monitores de pantalla grande (de 17 pulgadas en diagonal o más) requieren más energía de la que suministra la toma auxiliar de corriente alterna del servidor. Estos monitores tienen cables de alimentación se deben conectar directamente a una toma de corriente en la pared.



### NOTA

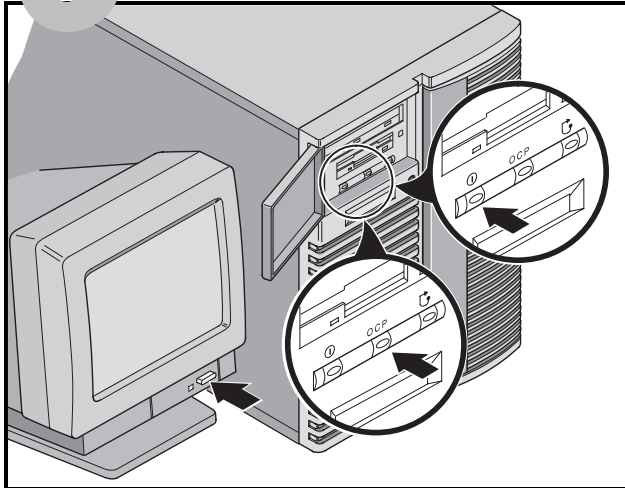
Si tiene una fuente de alimentación secundaria, conecte el cable de corriente alterna restante a la fuente de alimentación secundaria y después a la toma de corriente.



### AVISO

No intente modificar o utilizar un cable de alimentación externo de 100 V CA (sólo en Japón) o de 115 V CA para una red de energía de 240 V CA. La modificación de cualquiera de los cables de alimentación puede causar graves daños al equipo.

## 5 Encienda el monitor y después el servidor



1. Encienda el monitor.
2. Encienda el servidor.
3. La pantalla del panel de control del operador (OCP) se debe activar por sí sola. Si no es así, presione el botón OCP.
4. Ajuste el contraste y la luminosidad del monitor para obtener una pantalla legible.

### **NOTA**

Consulte el manual Referencia para el sistema para información sobre mensajes del BIOS y de la prueba POST.

Los iconos de los interruptores del panel frontal son, de izquierda a derecha, encendido/apagado, OCP, iluminación posterior y reinicializar sistema.

# 6

## Si ha instalado placas de expansión opcionales

El servidor ha sido configurado en la fábrica para uso normal y funcionará correctamente sin necesidad de configuración adicional. Sin embargo, si ha instalado placas de expansión opcionales, podría ser necesario utilizar una de las siguientes utilidades:

- Utilidad BIOS Setup
- Utilidad de configuración SCSI
- Utilidad de configuración Mylex™ para RAID

También se indica aquí la secuencia de exploración del dispositivo por omisión.

### **Cómo obtener acceso a la utilidad BIOS Setup**

Utilice la utilidad BIOS Setup si tiene problemas con el disco duro o si necesita ajustar la configuración del controlador en la placa o las opciones de inicio. Para obtener acceso a la utilidad BIOS Setup, realice los siguientes pasos:

1. Encienda el servidor y permita que se ejecute la prueba de autoverificación durante el encendido (POST).
2. Durante el proceso de inicio, anote cualquier error de configuración que se indique. Cuando aparezca el logotipo de DIGITAL, presione [F2] para activar la utilidad BIOS Setup o presione [F3] para activar la utilidad de administración del sistema.
3. Siga las instrucciones que aparezcan en la pantalla.

Podrá obtener ayuda en pantalla presionando [F1]. Las teclas utilizadas para recorrer la información de ayuda se muestran al pie de todos los menús.

### *Cambio de la prioridad del dispositivo de inicio.*

1. Active la utilidad BIOS Setup [F2].

2. En la parte superior del menú Main, seleccione Boot.
3. Seleccione "Boot Device Priority" y presione [Intro].
4. Utilice las teclas de flechas arriba y abajo para seleccionar un dispositivo, luego utilice las teclas + y - para mover la selección hacia arriba o abajo:
  1. ATAPI CD-ROM Drive
  2. Diskette Drive
  3. Hard Drive
5. Para guardar, presione [Esc]. En el menú superior, seleccione Exit. En la pantalla aparecerá el mensaje "Save configuration changes and exit now". Seleccione Yes y presione [Intro]. El sistema se reiniciará y se guardarán automáticamente los cambios.

### *Cambio de IRQ en conflicto*

1. Active la utilidad de administración del sistema del BIOS [F3] y seleccione <PCI> para verificar el estado de las asignaciones de IRQ para PCI. Anote cualquier conflicto de IRQ.
2. Si necesita cambiar el valor de una IRQ o reservar una IRQ para una placa de expansión ISA, reinicie el servidor y active la utilidad BIOS Setup [F2].
3. Seleccione Advanced en la parte superior de la pantalla.
4. Seleccione **PCI Configuration** y presione [Intro].
5. Resalte el número de la línea PCI IRQ que desee cambiar y presione [Intro].

## Placas de expansión, continuación

6. Utilice las teclas + y - para seleccionar un número de IRQ disponible, `auto select`, o `disabled`. Un asterisco ( \* ) aparecerá a la izquierda de la línea si la IRQ está en uso. Después de hacer su selección, presione [Intro].
7. Si desea reservar memoria y un número de IRQ para una placa de expansión ISA, seleccione las siguientes opciones:  
`PCI/PNP ISA UMB Region Exclusion`  
`PCI/PNP ISA IRQ Resource Exclusion`
8. Para guardar, presione [Esc]. En el menú superior, seleccione `Exit`.

### Utilidad de configuración SCSI

Si se ha agregado una opción SCSI al servidor, se puede ejecutar la utilidad de configuración SCSI para configurar la(s) placa(s) o unidad(es) de disco que se acaban de agregar.

Para ejecutar la utilidad de configuración SCSI, durante el proceso de inicio, presione Ctrl + C cuando el mensaje se lo pida.

Consulte el manual *Referencia para el sistema* para obtener información adicional sobre esta utilidad.

### NOTA

Si ha instalado placas SCSI, asegúrese de que la partición de MS-DOS se encuentre en el dispositivo de inicio. Si no es así, apague el servidor, cambie el orden de las placas y reconfigure el servidor. Consulte la información sobre la secuencia de exploración de dispositivos a continuación.

### Utilidad de configuración Mylex

Si el servidor detecta la presencia de un controlador RAID Mylex™, se activará la utilidad de configuración RAID, que le permite configurar los dispositivos RAID recién instalados.

### Secuencia de exploración de dispositivos

Los dispositivos son identificados e inicializados en el siguiente orden:

- Unidad de CD-ROM IDE
- Controladores SCSI, Canal 1 luego Canal 2
- Ranuras PCI 1-10
- Ranuras ISA 1 y 2

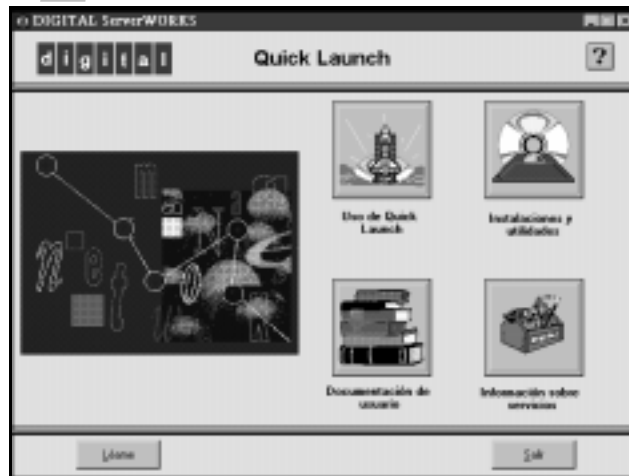


### PRECAUCIÓN

El cambiar algunos ajustes podría hacer que el servidor funcione incorrectamente. Antes de intentar modificar los ajustes de fábrica del servidor, es importante leer atentamente y comprender la información sobre la configuración del BIOS presentada en el manual *Referencia para el sistema*.

# 7

## Ejecute el programa Quick Launch del CD-ROM



Utilice el software iniciable de Quick Launch para completar la instalación del servidor. Siga estos pasos para configurar el Servidor DIGITAL e instalar un sistema operativo.

### NOTA

Los requisitos mínimos para ejecutar Quick Launch son 16 MB de RAM, una unidad de disco duro, un ratón, teclado, monitor, tarjeta de red y unidad de CD-ROM.

1. Localice el CD-ROM iniciable de Quick Launch en el kit de software DIGITAL ServerWORKS. Encienda el servidor desde el CD-ROM.
2. En la lista de opciones disponibles, seleccione su idioma.
3. Cuando se le indique, podrá crear un tamaño de partición de MS-DOS adecuado para su sistema operativo. El sistema le solicitará que confirme su selección. Observe que Windows NT requiere una partición de 35 MB. Los sistemas operativos *Novell NetWare* requieren 30 MB. Aparecerá la pantalla principal de Quick Launch.
4. Seleccione *Instalaciones y utilidades* en el menú principal de Quick Launch.
5. Seleccione la ficha *Expresa* para instalar automáticamente el sistema operativo *Windows NT* o *NetWare*.
6. Seleccione el icono del sistema operativo y una versión, luego elija Continuar.

Pase a la página siguiente y proporcione la información solicitada.

La ficha *Crear Disquetes* le permite crear los disquetes de utilidades y controladores requeridos para instalar los sistemas operativos *SCO UNIX* u *OS/2*.

Para obtener más información, consulte la guía *Getting Started* de ServerWORKS Quick Launch suministrada con el kit del software de ServerWORKS.

# 8

## Instalación Expresa del sistema operativo

### Instalación Expresa de Microsoft Windows NT Server y Novell NetWare

Para realizar una instalación *Expresa* de los sistemas operativos Microsoft *Windows NT* o *Novell NetWare*, se le solicitará la siguiente información:

#### *Windows NT Server*

Nombre de usuario \_\_\_\_\_

Nombre de la organización \_\_\_\_\_

Nombre del servidor \_\_\_\_\_

Clave de CD NT \_\_\_\_\_

Tipo de servidor NT \_\_\_\_\_

Licencia \_\_\_\_\_

Zona horaria \_\_\_\_\_

Nombre de grupo de trabajo \_\_\_\_\_

Nombre de dominio\* \_\_\_\_\_

Clave de acceso de dominio \_\_\_\_\_

#### Red

- Instalar NWLink
- Instalar NetBEUI
- Instalar TCP/IP
  - Instalar SNMP

#### Sistema de archivos

- NTFS
- FAT

Aplicar Service Packs

#### Aplicaciones

- Oracle
- Internet Information Server

#### *Novell NetWare*

Nombre del servidor \_\_\_\_\_

Nombre de la organización \_\_\_\_\_

Nombre del árbol de directorios \_\_\_\_\_

Contraseña de administrador \_\_\_\_\_

Tipo de marco \_\_\_\_\_

Número de red externa IPX \_\_\_\_\_

Zona horaria \_\_\_\_\_

Llene la información según se requiere. Tenga a mano su juego de software de Microsoft Windows NT o Novell NetWare. Siga las instrucciones que aparezcan en la pantalla para comenzar la instalación del sistema operativo.

#### **NOTA**

SNMP (Simple Network Management Protocol) y las aplicaciones de Internet Information Server estarán disponibles únicamente si se selecciona "Install TCP/IP".

\* Para un grupo de servidores DIGITAL, utilice un Nombre de servidor diferente para cada servidor pero el mismo Nombre de dominio.

## 9 Creación de disquetes de utilidades y controladores de dispositivos para el servidor

Si así desea, puede usar estos procedimientos para crear los disquetes requeridos desde estaciones de trabajo basadas en Windows:

1. Busque el disco CD-ROM iniciable Quick Launch en el kit de software de ServerWORKS, e insértelo en la unidad de CD-ROM.
2. En el menú Inicio, seleccione *Ejecutar* y ejecute *qlaunch.exe* desde el directorio raíz del CD-ROM. El programa se iniciará automáticamente si está instalado Windows 95 o Windows NT V4.0 o más reciente.
3. Seleccione el botón *Instalaciones y utilidades*.
4. Elija la ficha *Crear Disquetess* o *Utilidades*. *Utilidades* es la predeterminada. Si elige *Crear Disquetes*, primero deberá seleccionar un modelo y luego un sistema operativo de red y su número de versión. Seleccione Continuar. Si elige *Utilidades*, deberá seleccionar un modelo de servidor para ver las utilidades que corresponden al mismo.
5. Seleccione la utilidad o el controlador deseado y luego elija Continuar.
6. Inserte un disquete de alta densidad con formato en la unidad A y seleccione Continuar.

### NOTA

Para obtener más información, consulte la guía *Para comenzar de ServerWORKS Quick Launch* y la ayuda en línea de dicho programa.

A continuación se enumeran los controladores de dispositivos que pudiera necesitar:

- SCSI—permite al servidor operar usando los controladores SCSI en la placa.
- Vídeo—permite al servidor operar usando el controlador de vídeo en la placa u otras placas de vídeo compatibles.
- RAID—permite que el servidor funcione utilizando un controlador RAID.
- Red—elija entre varios controladores de dispositivos para placas de interfaz de red compatibles con DIGITAL.

A continuación se indican las utilidades del servidor que se pueden ejecutar:

- RAID—le permite crear un disquete iniciable de la utilidad de configuración RAID que se puede utilizar para configurar la matriz RAID.
- Diagnóstico—le permite crear disquetes iniciables para resolver problemas del servidor.
- Utilidad de actualización del BIOS—le permite actualizar y recuperar el BIOS del servidor.
- Utilidad de identificación del sistema—le permite actualizar el nombre de modelo del servidor si agrega otro procesador.



# 10

## Registre su servidor y revise la documentación

### Registro

1. Registre aquí el número de modelo y el número de serie del servidor.
  - Descripción de la familia de servidores:  
DIGITAL Server 5220  
(ubicada en la parte frontal del servidor)
  - Número de modelo del servidor:  
  
(ubicado en la parte posterior del servidor)
  - Número de serie del servidor:  
  
(ubicado en la parte posterior del servidor)
2. Envíe la tarjeta de registro incluida en el juego de documentación del Servidor DIGITAL.

### Garantía

- garantía de 3 años en sitio para el hardware.
- Consulte la Información de garantía y servicio para conocer los términos y las condiciones específicas de la garantía.

### Si necesita ayuda

Si tiene preguntas acerca del hardware, el software o la garantía de su servidor, por favor comuníquese con la organización de servicio al cliente de DIGITAL.

### Antes de llamar a DIGITAL

1. Ejecute las pruebas de diagnóstico suministradas con el servidor a fin de aislar el problema. Puede ejecutar las utilidades de diagnóstico desde la partición de MS-DOS creada por Quick Launch o puede crear disquetes de diagnóstico desde Quick Launch usando la opción *Utilidades* bajo el botón *Instalaciones y utilidades*.
2. Tenga a mano el número de modelo y de serie del servidor antes de llamar.
3. Anote cualquier mensaje de error que haya recibido y prepárese para describir la secuencia de eventos que precedió el problema.
4. Llame al 1-800-354-9000.

### Para información técnica

A través de Internet, está disponible información técnica las 24 horas al día. Para información sobre productos, utilice la dirección:

<http://www.windows.digital.com>

Para soporte técnico, utilice la dirección:

<http://www.windows.digital.com/support/support.asp>

Para ir directamente a la biblioteca de software para actualizaciones de controladores y el BIOS, utilice la dirección:

<http://www.windows.digital.com/~ftp/00-index.stm>

# 11

## Instale el software DIGITAL ServerWORKS

Una vez terminada la instalación del servidor y el sistema operativo de red, deberá instalar DIGITAL ServerWORKS Manager a fin de:

- Tener acceso a una interfaz de administración de servidores que es fácil de usar
- Llevar un control de las estadísticas esenciales del servidor
- Obtener un mapa de la topología de red que es fácil de interpretar
- Administrar las condiciones de fallos del servidor
- Lograr compatibilidad con dispositivos de red SNMP distribuidos desde cualquier parte de la LAN

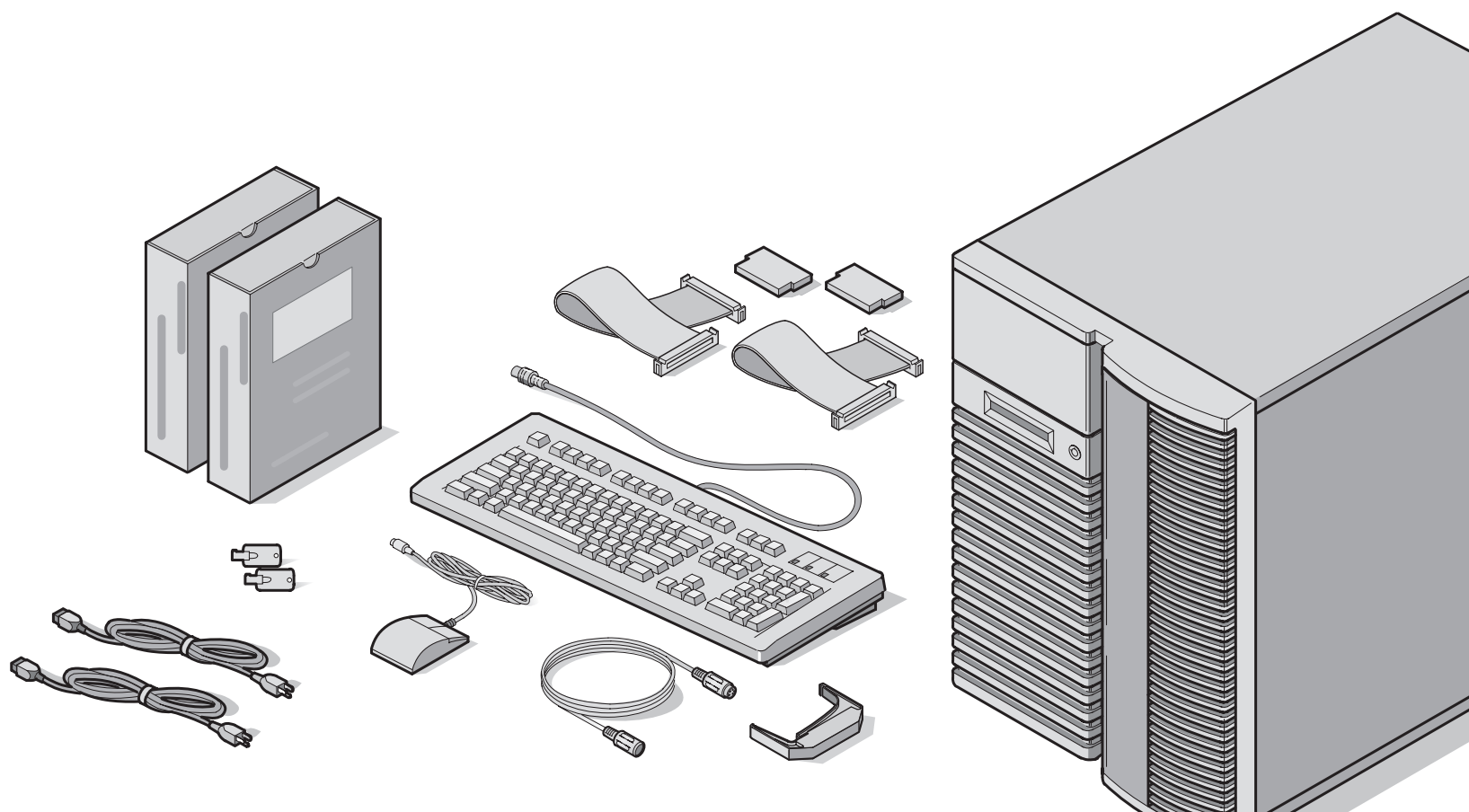
### **NOTA**

Para obtener información sobre la instalación y una lista de los sistemas operativos aceptados, consulte la Información general y la Guía de instalación en el kit de software de DIGITAL ServerWORKS Manager.



# Serveur DIGITAL 5220 Series

## Guide d'installation



## Félicitations

*...pour l'achat de votre serveur 5220 DIGITAL.*

*La famille des serveurs DIGITAL perpétue l'engagement continu de DIGITAL à délivrer une qualité absolue, appuyée par une assistance technique et un service clientèle reconnus. Les procédures suivantes vont vous aider à installer facilement le logiciel et le matériel du serveur.*

### **ServerWORKS Quick Launch de DIGITAL**

ServerWORKS **Quick Launch** de DIGITAL est un succès sans égal en ce qui concerne la rationalisation de l'installation et de la configuration des composants matériels et du système d'exploitation réseau avec la gamme de serveurs DIGITAL. Quick Launch combine une interface intuitive et versatile ainsi que des fonctions produisant une installation précise, consistante et rapide, optimisée pour les serveurs DIGITAL extrêmement puissants et hautement acclamés.

En plus de sa méthode d'installations rapides automatisées et extensibles pour les systèmes d'exploitation réseau, Quick Launch fournit des archives complètes de documentation sur le serveur, d'aide au dépannage, d'utilitaires de configuration et de diagnostics.

### **Avant de commencer**

Trouvez un espace convenable à l'assemblage et à l'utilisation. Assurez-vous que votre espace de travail :

- soit situé à proximité de prises de courant et d'une prise téléphonique
- soit éloigné de sources de chaleur et de poussière excessives, à l'abri du soleil
- dispose d'une aération convenable. Laissez au moins 7 pouces (17.5 cm) d'espace libre tout autour du serveur
- conforme aux règlements électriques locaux et régionaux gouvernant l'installation d'équipement informatique par des électriciens agréés

Reportez-vous au chapitre : "Spécifications techniques" de votre Manuel de référence système pour des informations sur les conditions de fonctionnement.

Si vous ne désirez pas installer votre serveur par vous-même, contactez votre centre de service agréé DIGITAL. Un technicien du service clientèle peut installer le serveur pour vous.

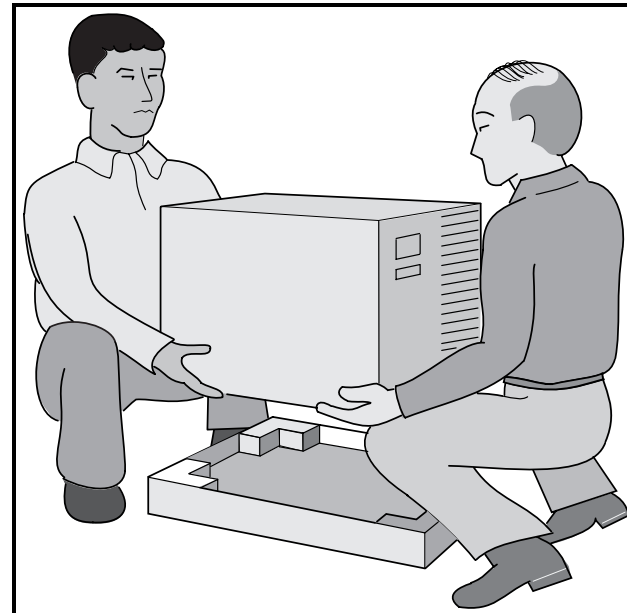
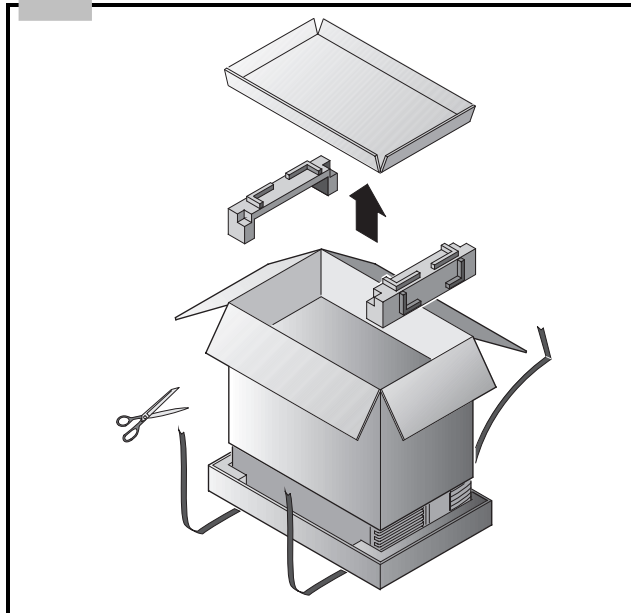


#### **DANGER**

Procédez avec précaution au déballage du serveur. Du fait de son poids, deux personnes sont nécessaires au déballage du serveur. Ne pas procéder à deux personnes peut contrevenir à certains règlements de sécurité et peut résulter en des blessures personnelles sérieuses ainsi qu'à l'endommagement du matériel.

# 1

## Déballer votre serveur



### **DANGER**

Les serveurs sont lourds. Ne les soulevez pas tout seul.

Déballer le serveur selon les diagrammes imprimés sur le haut du carton d'emballage. Utilisez un outil de levage ou demandez de l'aide pour sortir le serveur de son carton.

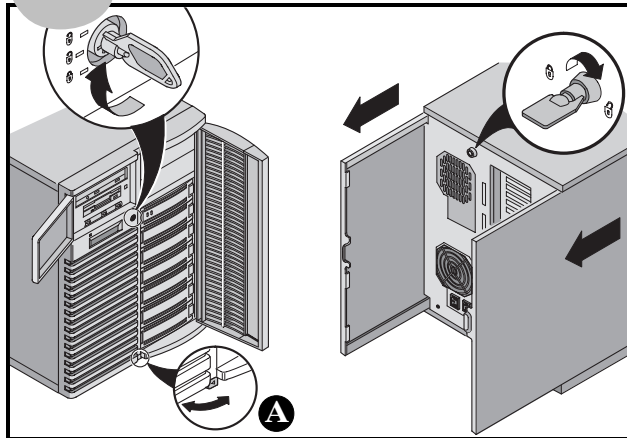
- Déterminez le lieu d'installation avant de le soulever.
- Faites rouler le serveur sur ses roulettes plutôt que de le soulever.
- Placez-vous près du serveur avec les jambes écartées pour plus de stabilité.

- Accroupissez-vous tout en gardant votre dos droit.
  - Saisissez le serveur fermement et soulevez-le tout en gardant votre dos droit.
  - Evitez de tourner le haut de votre corps. Tournez avec vos pieds.
  - Abaissez le serveur délicatement en vous accroupissant et en gardant votre dos droit.
  - Faites rouler le serveur jusqu'à son emplacement et verrouillez le frein comme montré dans l'étape 3, note **A**.
- Après avoir déballé le serveur, recyclez ou rejetez convenablement les matériaux d'emballage.

FRANÇAIS



## 3 Installez chacune des options internes



Si des options doivent être installées, installez-les maintenant. Pour installer les options internes :



### ATTENTION

Avant de toucher au circuit imprimé du serveur, munissez-vous d'un bracelet antistatique correctement connecté au châssis du serveur, ou touchez l'armature métallique du serveur pour vous décharger de toute électricité statique.

1. Déverrouillez les portes.
2. Déverrouillez les panneaux latéraux.
3. Retirez les panneaux latéraux.
4. Installez des options.




### ATTENTION

Le retrait des panneaux latéraux active les interrupteurs d'enclenchement qui coupent l'alimentation du serveur. Vous risquez de vous blesser ou d'endommager le serveur si vous essayez d'inhiber ou de ponter ces interrupteurs. Remettez toujours les panneaux latéraux en place avant de remettre le serveur en marche.

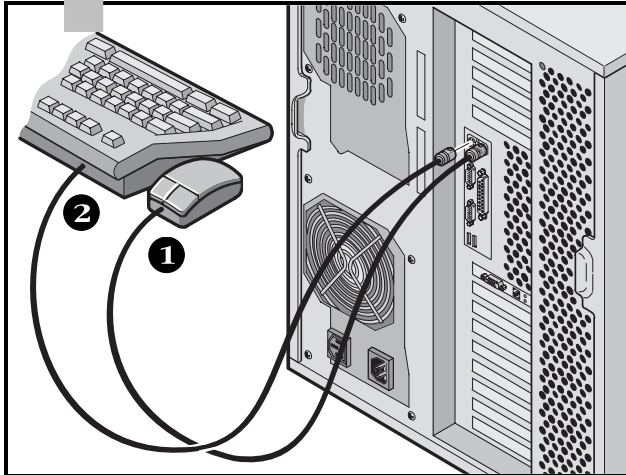
Avant de toucher au circuit imprimé du serveur, munissez-vous d'un bracelet antistatique correctement connecté au châssis du serveur, ou touchez l'armature métallique du serveur pour vous décharger de toute électricité statique.

### Remarques

Utilisez la patte située au pied du serveur  pour le verrouiller en place.

Reportez-vous au manuel *Référence système* pour obtenir des informations plus détaillées. Reportez-vous aussi à la documentation livrée avec le coffret de l'option pour obtenir des instructions d'installation spécifiques.

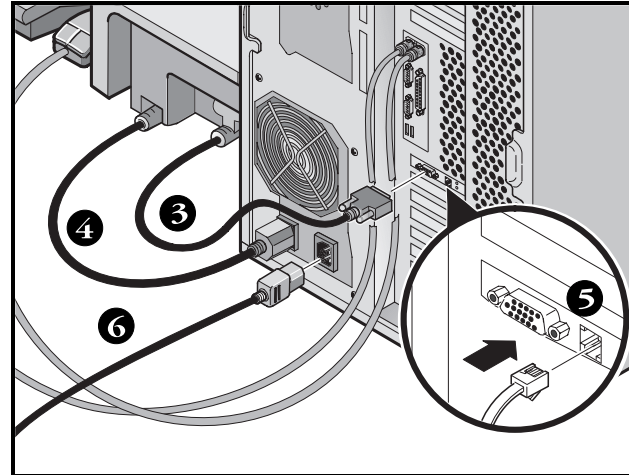
## 4 Connectez les câbles et le cordon secteur



1. Connectez la souris.
2. Connectez le clavier.
3. Connectez le câble de signalisation du moniteur.
4. Connectez le cordon secteur du moniteur.
5. Connectez le câble réseau 10/100Base-T.
6. Connectez les cordons secteur.

### Remarque

Certains écrans larges (17 pouces ou plus) consomment une puissance supérieure à ce que la prise secteur auxiliaire du serveur peut délivrer. Le cordon de ces moniteurs doit être branché directement dans une prise murale.



### Remarque

Si vous disposez d'un bloc alimentation secondaire, connectez le cordon secteur entre ce bloc et une prise secteur.

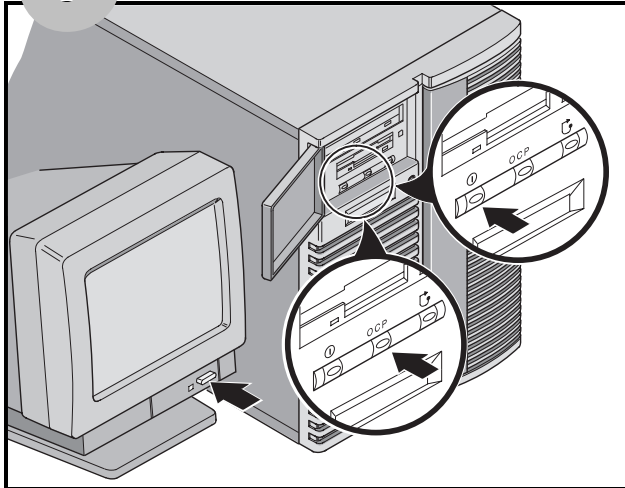


### ATTENTION

N'essayez pas d'utiliser ou de modifier un cordon secteur de 100 Vca (Japon uniquement) ou de 115 Vca avec une tension secteur de 240 Vca. La modification de l'un ou l'autre des cordons risque d'endommager le matériel sérieusement.



## 5 Allumez le moniteur, puis le serveur



1. Allumez le moniteur.
2. Allumez le serveur.
3. L'affichage de l'écran de contrôle de l'opérateur (OCP : Operator Control Panel) devrait s'allumer automatiquement. Si ce n'est pas le cas, appuyez sur le bouton OCP.
4. Réglez le contraste et la luminosité de l'écran pour obtenir un affichage correct.

### Remarque

Reportez-vous au Manuel de référence système pour obtenir la liste des messages du BIOS et de l'Auto-test à la mise sous tension (POST).

Les icônes sur le panneau frontal sont, de gauche à droite, alimentation, éclairage de l'OCP et réinitialisation du système.

# 6

## Si vous avez installé des cartes d'extension en option

Votre serveur a été configuré en usine pour un fonctionnement typique, et fonctionnera normalement sans nécessiter aucun réglage supplémentaire. Cependant, il pourra être nécessaire d'utiliser un des utilitaires suivants si vous avez installé des cartes d'extension :

- Utilitaire Setup du BIOS
- Utilitaire de configuration SCSI
- Utilitaire de configuration Mylex™ pour le RAID

La séquence de balayage par défaut y est donnée.

### Accéder à l'utilitaire Setup du BIOS

Utilisez l'utilitaire Setup du BIOS si vous rencontrez des problèmes avec votre disque dur ou si vous avez besoin de reconfigurer votre contrôleur intégré ou les paramètres d'amorçage. Pour accéder à l'utilitaire Setup du BIOS, procédez comme suit :

1. Mettez votre serveur en marche et laissez auto-test à la mise sous tension (POST) s'exécuter.
2. Durant le processus d'amorçage, prenez note de toutes des erreurs de configuration listées. Quand la bannière DIGITAL s'affiche, appuyez sur [F2] pour Setup ou sur [F3] pour l'Administration système.
3. Suivez les instructions affichées sur votre moniteur. De l'aide en ligne est disponible en appuyant sur [F1]. Les touches de navigation sont affichées en bas de tous les menus.

### Changer les priorités des périphériques d'amorçage.

1. Accédez à l'utilitaire Setup du BIOS [F2].
2. En haut du menu `Main`, sélectionnez `Boot`.

3. Sélectionnez "Boot Device Priority", puis appuyez sur [Entrée].
4. Utilisez les touches Haut et Bas pour sélectionner un périphérique, puis utilisez les touches + et - pour déplacer la sélection vers la haut ou vers le bas :
  1. ATAPI CD-ROM Drive
  2. Diskette Drive
  3. Hard Drive
5. Pour enregistrer, appuyez sur [Echap]. Dans le menu du haut de l'écran, sélectionnez `Exit`. Le message "Save configuration changes and exit now." s'affiche à l'écran. Sélectionnez `Yes` et appuyez sur [Entrée]. Le système enregistre vos changements puis se réamorce.

### Changer des IRQ en conflit

1. Accédez à l'utilitaire Gestion système BIOS [F3] et sélectionnez `<PCI>` pour vérifier l'attribution des IRQ PCI. Prenez note de tous les conflits existant entre les IRQ.
2. Si vous devez changer des IRQ ou si vous devez réserver une IRQ pour une carte d'extension ISA, réamorcez le serveur et accédez à l'utilitaire Setup du BIOS [F2].
3. Sélectionnez `Advanced` en haut de l'écran.
4. Sélectionnez `PCI Configuration` puis appuyez sur [Entrée].
5. Sélectionnez le numéro de ligne `PCI IRQ line` à changer, puis appuyez sur [Entrée].

## Cartes d'extension suite

- Utilisez les touches + et - pour sélectionner IRQ number, auto select, or disabled. Un astérisque ( \* ) apparaît à la gauche de la ligne si l'IRQ est en cours d'utilisation. Après avoir fait une sélection, appuyez sur [Entrée].
- Pour réserver de la mémoire et un numéro d'IRQ pour une carte d'extension ISA, sélectionnez les rubriques de menu suivants :  
**PCI/PNP ISA UMB Region Exclusion**  
**PCI/PNP ISA IRQ Resource Exclusion**
- Pour enregistrer, appuyez sur [Echap]. Dans le menu du haut de l'écran, sélectionnez Exit .

### Utilitaire de configuration SCSI

Si une option SCSI a été ajoutée dans votre serveur, lancez l'utilitaire de configuration SCSI pour configurer les nouvelles cartes ou les nouveaux disques durs.

Appuyez sur Ctrl + C quand demandé durant le processus d'amorçage pour lancer l'utilitaire de configuration SCSI.

Reportez-vous à votre manuel de *Référence système* pour de plus amples informations sur cet utilitaire.

### REMARQUE

Si vous avez installé des cartes SCSI, assurez-vous que la partition MS-DOS réside sur le périphérique d'amorçage. Si ce n'est pas le cas, éteignez le serveur, changez l'ordre des cartes et reconfigurez votre serveur. Reportez-vous à la séquence de balayage des périphériques plus en avant sur cette page.

### Utilitaire de configuration Mylex

Si le serveur détecte la présence d'un contrôleur RAID Mylex™, l'utilitaire RAID est invoqué. Cet utilitaire vous permet de configurer tout périphérique RAID nouvellement installé.

### Séquence de balayage des périphériques

Les périphériques sont identifiés et initialisés dans l'ordre suivant :

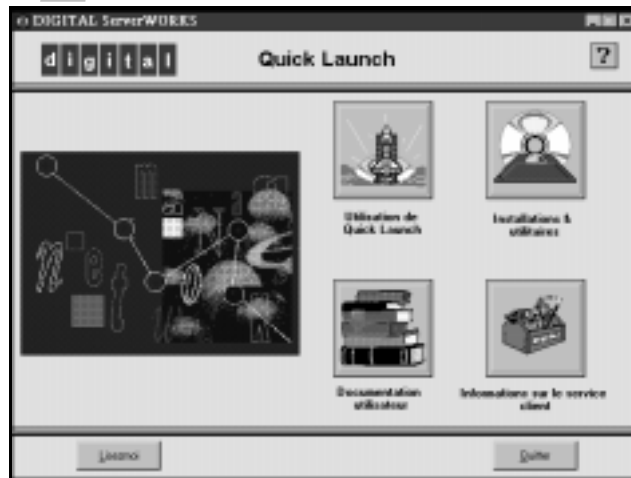
- Lecteur de CD-ROM IDE
- Contrôleur SCSI intégré, canal 1 puis canal 2
- Logements PCI 1-10
- Logements ISA 1 et 2



### ATTENTION

Le changement de certains paramètres risque d'empêcher votre serveur de fonctionner correctement. Il est important de lire attentivement et d'assimiler les informations sur l'utilitaire Setup du BIOS dans votre *Référence système* avant d'essayer de modifier les réglages d'usine.

## 7 Lancez le programme Quick Launch du CD-ROM



Utilisez le logiciel amorçable Quick Launch pour terminer l'installation du serveur. Suivez les étapes suivantes pour configurer le serveur DIGITAL et installer un système d'exploitation.

### Remarque

La configuration minimale requise pour exécuter Quick Launch est 16 Mo de mémoire RAM, un disque dur, une souris, un clavier, un moniteur, une carte réseau et un lecteur de CD-ROM.

1. Trouvez le CD-ROM amorçage Quick Launch dans le coffret du logiciel DIGITAL ServerWORKS. Mettez votre serveur en marche pour l'amorcer à partir du CD-ROM.
2. Sélectionnez votre langue parmi les langues disponibles.
3. Quand invité, vous pouvez créer une partition MS-DOS de taille appropriée pour votre système d'exploitation. Le système vous invite à confirmer votre choix. Notez que *Windows NT* requiert une partition de 35 Mo. Les systèmes d'exploitation *Novell NetWare* requièrent 30 Mo.

L'écran principal de Quick Launch s'affiche.

4. Sélectionnez *Installations et utilitaires* dans le menu principal de Quick Launch.
5. Choisissez l'onglet *Express* pour installer automatiquement le système d'exploitation *Windows NT* ou *NetWare*.
6. Sélectionnez l'icône du système d'exploitation et une version, puis appuyez sur Continuer.

Passez à la page suivante et fournissez les informations demandées.

L'onglet *Créer disquettes* vous permet de créer les disquettes des utilitaires et des pilotes demandés durant l'installation des systèmes d'exploitation *SCO UNIX* ou *OS/2*.

Pour de plus amples informations, reportez-vous au guide *Premiers pas avec ServerWORKS Quick Launch* qui se trouve dans le coffret du logiciel ServerWORKS.

# 8

## Installation Expresse du système d'exploitation

### Installation Expresse de Microsoft Windows NT Serveur et de Novell NetWare

Les informations suivantes vous seront demandées avant de pouvoir installer les systèmes d'exploitation *Microsoft Windows NT* ou *Novell NetWare* avec la méthode *Expresse*.

#### *Windows NT Serveur*

Nom de l'utilisateur \_\_\_\_\_

Nom de l'organisation \_\_\_\_\_

Nom du serveur \_\_\_\_\_

Clé du CD-ROM NT \_\_\_\_\_

Type de serveur NT \_\_\_\_\_

Licence \_\_\_\_\_

Fuseau horaire \_\_\_\_\_

Nom du groupe de travail \_\_\_\_\_

Nom du domaine\* \_\_\_\_\_

Mot de passe pour le domaine \_\_\_\_\_

#### Réseau

- Installez NWLink
- Installez NetBEUI
- Installez TCP/IP
  - Installer SNMP

#### Système de fichiers

- NTFS
- FAT

Applique les Service Packs

#### Applications

- Installer Oracle
- Serveur d'information Internet

#### *Novell NetWare*

Nom du serveur \_\_\_\_\_

Nom de l'organisation \_\_\_\_\_

Nom de l'arborescence des répertoires \_\_\_\_\_

Mot de passe de l'administrateur \_\_\_\_\_

Type de paquet \_\_\_\_\_

Numéro réseau externe IPX \_\_\_\_\_

Fuseau horaire \_\_\_\_\_

Remplissez les informations comme demandé. Ayez votre les éléments du logiciel Microsoft Windows NT ou Novell Netware sous la main. Suivez les instructions affichées sur l'écran pour commencez l'installation du système d'exploitation.

#### **Remarque**

Les applications SNMP (Simple Network Management Protocol) et Internet Information Server ne sont disponibles que si "Installer TCP/IP" est sélectionné.

\* Pour un Cluster DIGITAL, utilisez un Nom de serveur différent pour chaque serveur, mais utilisez le même Nom de domaine pour tous les serveurs.

# 9

## Créez les disquettes de pilotes et d'utilitaires du serveur

Si désiré, vous pouvez créer les disquettes requises à partir d'une station de travail Windows en utilisant les procédures suivantes :

1. Trouvez le CD-ROM amorçable Quick Launch dans votre coffret du logiciel ServerWORKS. Insérez le disque dans le lecteur de CD-ROM.
2. A partir du menu Démarrer, sélectionnez *Exécuter qlaunch.exe* qui se trouve dans le répertoire racine du CD-ROM. Le programme démarrera automatiquement si Windows 95 ou Windows NT version 4.0 ou plus récente sont installés.
3. Sélectionnez le bouton *Installations et utilitaires*.
4. Choisissez l'onglet *Créer disquettes* ou l'onglet *Utilitaires*. *Utilitaires* est le défaut. Si vous choisissez *Créer disquettes*, commencez par sélectionner un modèle, puis un système d'exploitation réseau et sa version. Sélectionnez Continuer. Si vous choisissez *Utilitaires*, sélectionnez un modèle de serveur pour voir les utilitaires disponibles pour ce serveur.
5. Sélectionnez l'utilitaire ou le pilote désiré, puis sélectionnez Continuer.
6. Introduisez une disquette haute-densité formatée dans le lecteur A, puis sélectionnez Continuer.

### Remarque

Pour de plus amples informations, reportez-vous au Guide premiers pas de ServerWORKS Quick Launch et à l'aide en ligne du programme ServerWORKS Quick Launch.

Les pilotes de périphériques suivants peuvent vous être nécessaires :

- SCSI—permet à votre serveur de fonctionner en utilisant les contrôleurs SCSI intégrés.
- Vidéo—permet au serveur de fonctionner en utilisant le contrôleur vidéo ou d'autres cartes vidéo supportées.
- RAID—permet à votre serveur de fonctionner en utilisant un contrôleur RAID.
- Réseau—permet de choisir entre plusieurs pilotes de périphériques supportés par les cartes d'interface réseau de DIGITAL.

Les utilitaires suivants sont amorçables :

- RAID—vous permet de créer une disquette amorçable de l'utilitaire de configuration RAID, conçue pour être utilisée lors de la configuration de votre matrice RAID.
- Diagnostics—vous permet de créer des disquettes amorçables conçues pour être utilisées pour dépanner votre serveur.
- Utilitaire de mise à niveau du BIOS—vous permet de mettre à jour et de restaurer le BIOS du votre serveur.
- Utilitaire d'identification système—vous permet de mettre à jour le nom de modèle du serveur en cas d'ajout d'un autre processeur.

# 10

## Enregistrer votre serveur et consulter la documentation

### Enregistrement

---

1. Notez ci-dessous les numéros de modèle et de série du serveur.

- Description de la famille de serveurs :

DIGITAL Server 5220

(situé sur la face avant du serveur)

- Numéro de modèle du serveur :

\_\_\_\_\_

(situés sur la face arrière du serveur)

- Numéro de série du serveur :

\_\_\_\_\_

(situés sur la face arrière du serveur)

2. Envoyez la fiche d'enregistrement incluse dans le coffret de documentation du serveur DIGITAL.

### Garantie

---

- 3 ans de garantie sur site du matériel.
- Reportez-vous à la brochure "*Informations de garantie et de service*" pour de plus amples informations sur les termes et conditions de la garantie.

### Si vous avez besoin d'aide

---

Si vous avez des questions au sujet du matériel, du logiciel ou de la garantie du serveur, contactez le service clientèle de DIGITAL.

### Avant d'appeler DIGITAL

1. Lancez le logiciel de diagnostic livré avec le serveur afin d'isoler le problème. Les diagnostics peuvent être exécutés à partir de la partition MS-DOS créée par Quick Launch ou vous pouvez créer des disquettes de diagnostics avec Quick Launch en utilisant la rubrique *Utilitaires* située sous le bouton *Installation et utilitaires*.
2. Ayez les numéros de modèle et de série du serveur disponibles avant d'appeler.
3. Notez tout message d'erreur et soyez préparé à décrire la séquence d'événements ayant conduit au problème.
4. Appelez le 1-800-354-9000.

### Pour obtenir de l'assistance technique

Des informations techniques sont disponibles 24/24 heures sur l'Internet. Pour des informations sur le produit, utilisez l'adresse :

<http://www.windows.digital.com>

Pour de l'assistance technique, utilisez l'adresse :

<http://www.windows.digital.com/support/support.asp>

Pour accéder directement à la librairie logicielle et aux mises à niveau du BIOS et des pilotes, utilisez l'adresse :

<http://www.windows.digital.com/~ftp/00-index.stm>



## Installez DIGITAL ServerWORKS Manager

Après avoir installé votre serveur et le système d'exploitation réseau, installez le logiciel DIGITAL ServerWORKS Manager pour :

- disposer d'une interface d'administration du serveur facile d'utilisation
- visualiser les données statistiques cruciales du serveur PC
- obtenir un plan topologique du réseau facile à lire
- gérer les conditions d'anomalies du serveur
- contrôler les périphériques de type SNMP distribués sur le réseau à partir de n'importe quel point du réseau

### **Remarque**

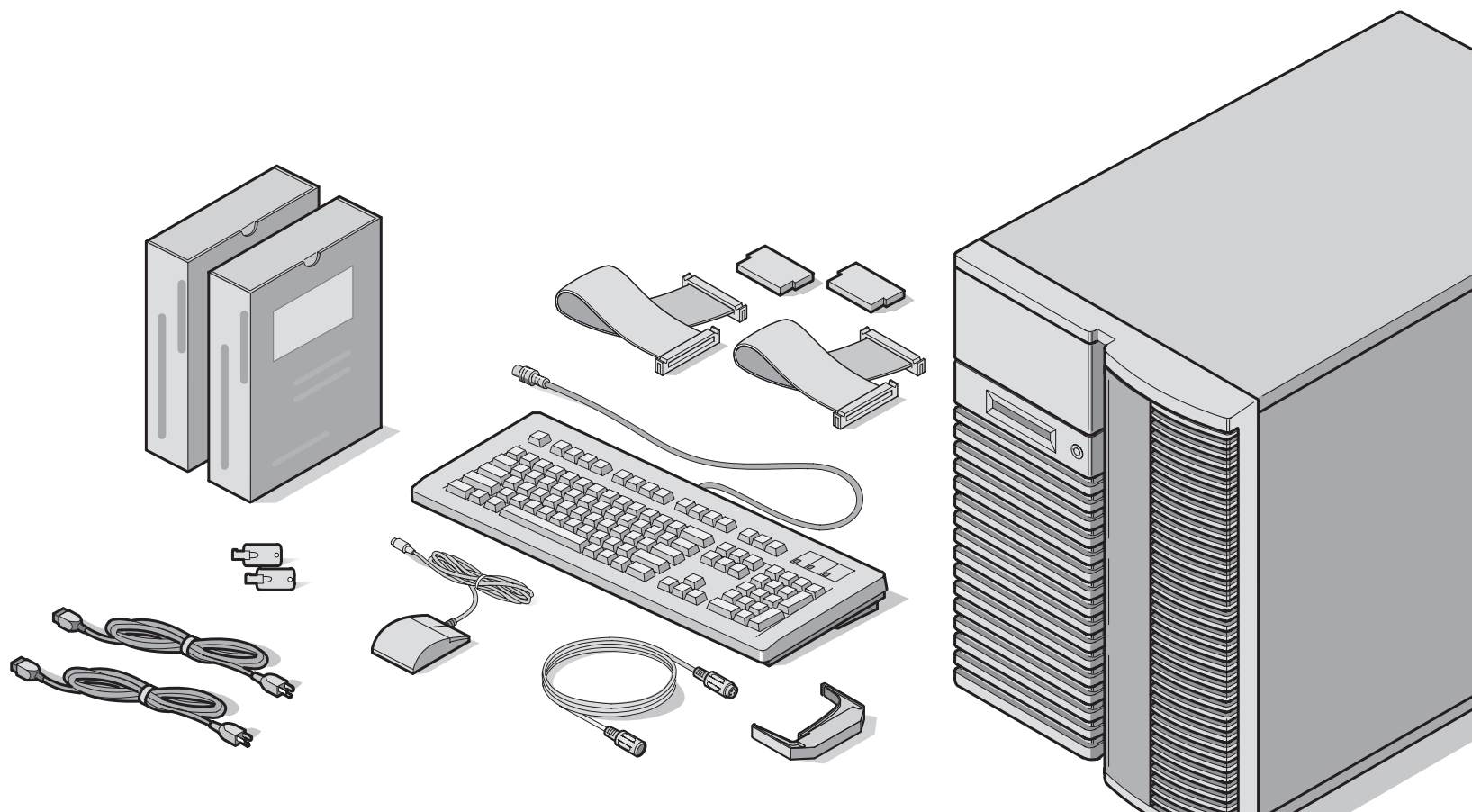
Reportez-vous au Guide de présentation et d'installation du kit logiciel DIGITAL ServerWORKS Manager pour obtenir les informations d'installation et une liste des systèmes d'exploitation supportés.





# Server DIGITAL Serie 5220

## Guida di installazione



# Grazie

*... per avere acquistato un server 5220 della DIGITAL. La famiglia server della DIGITAL rappresenta l'impegno continuo della DIGITAL per una qualità senza compromessi, sostenuto da un'assistenza e supporto clienti da primato. Le seguenti procedure vi aiuteranno a impostare facilmente l'hardware ed il software del server.*

## **ServerWORKS Quick Launch DIGITAL**

ServerWORKS **Quick Launch** della DIGITAL permette di conseguire una facilità senza pari nell'installazione e configurazione dei componenti hardware e del software del sistema operativo di rete sulla linea di server della DIGITAL. Quick Launch combina un'interfaccia intuitiva e caratteristiche versatili e veloci per produrre un'installazione coerente e accurata, ottimizzata per i server della DIGITAL, estremamente potenti e molto acclamati.

Quick Launch, oltre a fornire un metodo automatizzato ma flessibile per installare sistemi operativi di rete, contiene un esauriente archivio di documentazione sul server, supporto per l'individuazione dei problemi, programmi di utilità di configurazione e diagnostici.

## **Prima di iniziare**

Selezionare un'area adatta per l'assemblaggio e l'uso. Assicurarsi che nel posto di lavoro prescelto:

- vi siano prese elettriche e una presa telefonica
- non vi siano quantità eccessive di calore, polvere e luce solare diretta
- vi siano almeno 18 centimetri liberi su tutti i lati per una corretta circolazione dell'aria
- sia conforme a tutte le normative elettriche vigenti relative all'installazione di apparecchiature informatiche da parte di elettricisti qualificati

Vedere il "Manuale di riferimento del sistema" nel Manuale utente per informazioni sulla temperatura e sull'umidità.

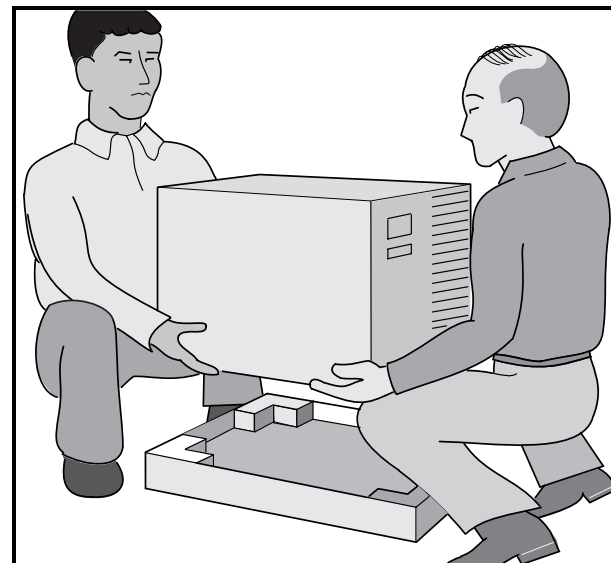
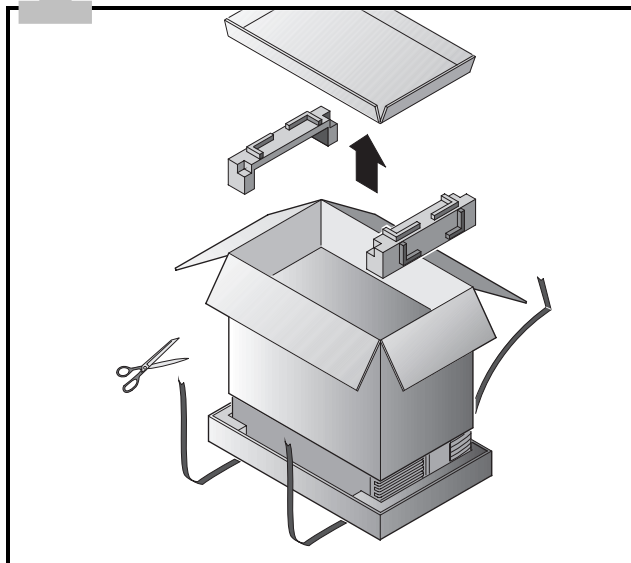
Se non si vuole installare il server da soli, contattare il Servizio Assistenza della DIGITAL. Un tecnico del Servizio Assistenza può installare il server per voi.



### **ATTENZIONE**

Usare estrema cautela quando si disimballa il server. A causa del suo peso, occorrono due persone per disimballarlo. L'inosservanza di adoperare due persone potrebbe violare alcuni regolamenti di sicurezza e potrebbe provocare ferite personali gravi o danni all'equipaggiamento.

# 1 Disimballare il server



## ATTENZIONE

Il server è pesante. Per sollevarlo, farsi aiutare da una seconda persona.

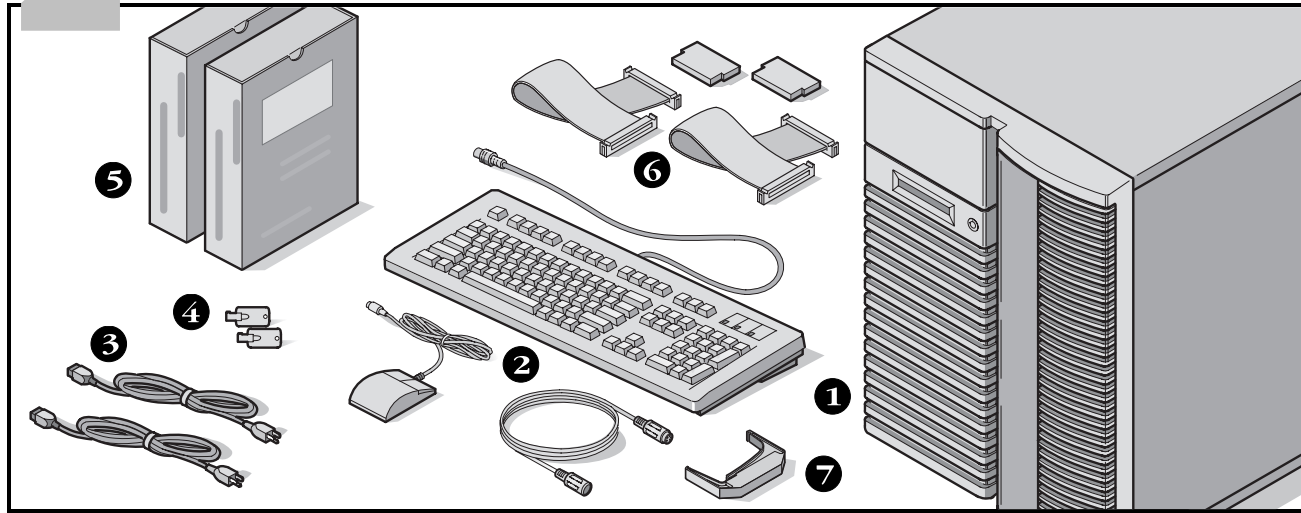
Disimballare il server seguendo le illustrazioni sulla scatola. Usare un attrezzo meccanico o l'assistenza di un'altra persona per sollevarlo dalla base di cartone.

- Occorre decidere su quale superficie si prevede di sistemare il server prima di sollevarlo.
- Si consiglia di muovere il server sulle rotelle incorporate, invece di trasportarlo.
- Stare in piedi vicino al server con le gambe divaricate per maggiore stabilità.
- Abbassarsi, piegando le ginocchia e mantenendo la schiena dritta.

- Afferrare saldamente il server, sollevarsi facendo leva sulle gambe e mantenendo la schiena dritta.
- Evitare movimenti di rotazione con la parte superiore del corpo. Spostare i piedi per girarsi.
- Abbassarsi con cautela usando i muscoli delle gambe per accovacciarsi, mantenendo la schiena dritta.
- Spostare il server usando le rotelle incorporate e innestare il freno come viene spiegato nella fase 3, Nota **A**.

Dopo avere disimballato il server, riciclare il materiale di imballaggio o smaltirlo nel modo più adatto.

## 2 Controllare i pezzi



Disimballare e identificare i componenti del server.

- ❶ Server 5220 DIGITAL.
- ❷ Kit per ciascun Paese, con tastiera, cavo di prolunga per la tastiera e mouse (da ordinare separatamente).
- ❸ Un massimo di 3 cavi di alimentazione.
- ❹ Chiavi del server.
- ❺ Software del server ed i kit di documentazione.
- ❻ Cavi SCSI ed IDE e terminatori (alcune configurazioni, includono fino a tre cavi separati oltre a quelli già installati).
- ❼ Utensile per estrarre l'unità sostituibile in fase di funzionamento

### NOTA

Il monitor deve essere ordinato separatamente.

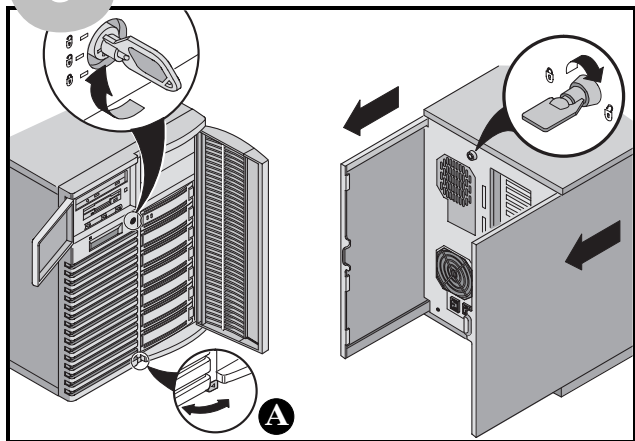
Il kit software ServerWORKS DIGITAL include:

- Il kit di ServerWORKS Quick Launch contiene il CD-ROM di ServerWORKS Quick Launch e la *Guida introduttiva*,
- ServerWORKS Manager: il software e la documentazione di ServerWORKS Manager.

Il kit di documentazione del server include:

- la presente *Guida all'installazione*, il *manuale di riferimento del sistema*, una *panoramica sulla documentazione*, informazioni sulla garanzia e la manutenzione, la scheda di registrazione.

## 3 Installare tutte le opzioni interne



Installare eventuali dispositivi opzionali. Per installare dispositivi opzionali interni, seguire la procedura descritta.



### AVVERTENZA

Prima di toccare qualsiasi scheda con circuiti o componenti elettronici, indossare un cinturino da polso antistatico, correttamente messo a terra al telaio del server, oppure toccare la struttura metallica per scaricare l'eventuale elettricità statica accumulata.

1. Aprire le porte.
2. Aprire i pannelli laterali.
3. Rimuovere i pannelli laterali.
4. Installare tutte le opzioni.



### AVVERTENZA

La rimozione dei pannelli laterali attiva gli interruttori di corrente di interbloccaggio. Questi interruttori spengono il server. Ci si può ferire o si può danneggiare il server se si cerca di annullare o aggirare questi interruttori. Riposizionare sempre i pannelli laterali prima di accendere il server.

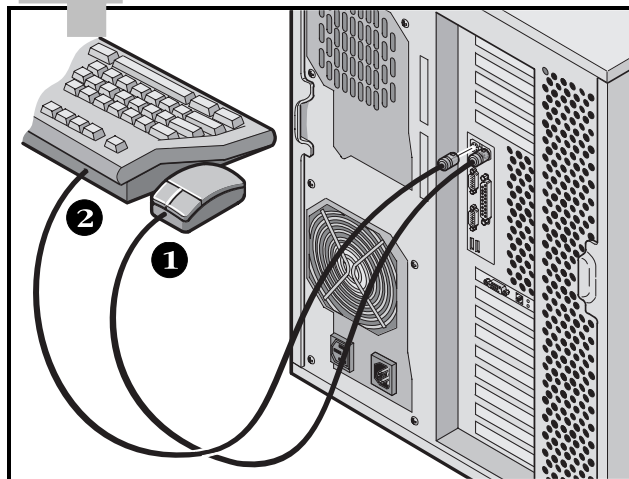
Prima di toccare qualsiasi scheda con circuiti o componenti elettronici, indossare un cinturino da polso antistatico, correttamente messo a terra al telaio del server, oppure toccare la struttura metallica per scaricare l'eventuale elettricità statica accumulata.

### NOTA

Usare il freno posizionato sotto il server (A) per bloccare il server in posizione.

Per informazioni dettagliate, consultare la *Guida di riferimento del sistema*. Per istruzioni specifiche sull'installazione, consultare la documentazione in dotazione con il kit del dispositivo opzionale.

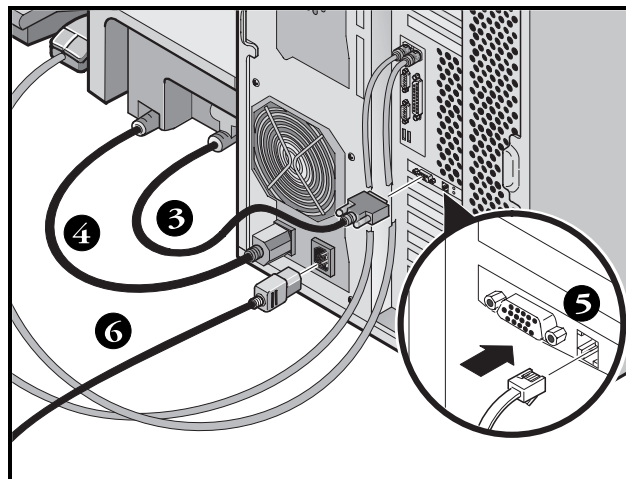
## 4 Collegare i cavi delle periferiche e quello di alimentazione



1. Connettere il mouse.
2. Connettere la tastiera.
3. Connettere il cavo del segnale del monitor.
4. Connettere il cavo di alimentazione del monitor.
5. Connettere il cavo di rete 10/100Base-T.
6. Connettere l'alimentazione.

### NOTA

Alcuni monitor grandi (da 17-pollici in diagonale e più) richiedono una corrente maggiore di quella che la presa ausiliare ca del server può fornire. Questi monitor avranno cavi di alimentazione che dovranno essere collegati direttamente in una presa di corrente a muro.



### NOTA

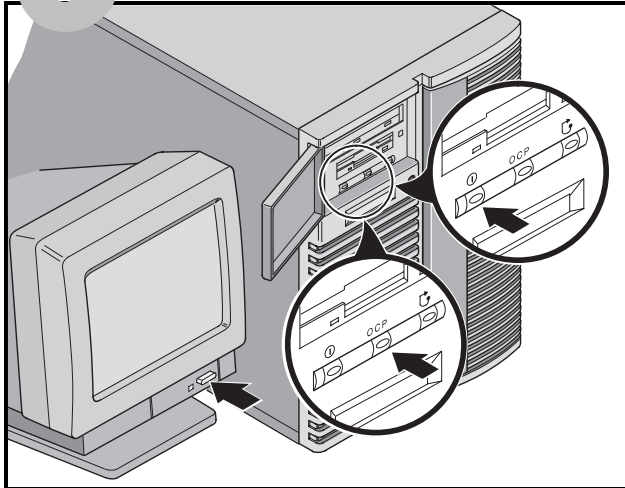
Se si dispone di un alimentatore secondario, collegare il rimanente cavo di alimentazione ca a tale sorgente di alimentazione e poi alla presa di rete.



### AVVERTENZA

Non provare a modificare o usare un cavo di alimentazione ca esterno da 100 V (solo in Giappone) o da 115 V per un'alimentazione ca di ingresso da 240 V. La modifica di uno dei due cavi può causare gravi danni ai dispositivi.

## 5 Accendere il monitor e poi il server



1. Accendere il monitor.
2. Accendere il server.
3. Il pannello di controllo dell'operatore (OCP) dovrebbe accendersi automaticamente. In caso contrario, premere il pulsante OCP.
4. Aggiustare il contrasto e la luminosità del monitor per ottenere una visualizzazione sullo schermo leggibile.

### **NOTA**

Fare riferimento al Manuale di riferimento del sistema per i messaggi del BIOS e dell'Auto test all'accensione (POST).

Le icone degli interruttori del pannello frontale sono, da sinistra verso destra, accensione, OCP, luce di sfondo e ripristino sistema.

# 6

## In caso siano state installate schede di espansione opzionali

Il server è stato configurato in fabbrica per un normale funzionamento e non richiede, quindi, nessuna configurazione aggiuntiva. In caso, però, siano state installate schede di espansione opzionali, potrebbe essere necessario dover eseguire uno dei programmi di utilità elencati di seguito.

- Programma di utilità BIOS Setup.
- Programma di utilità di configurazione SCSI.
- Programma di utilità di configurazione Mylex™ per RAID.

Il seguente elenco descrive la sequenza di scansione dei dispositivi predefinita.

### Programma di utilità BIOS Setup

Utilizzare questo programma in caso di problemi con il disco rigido o se è necessario riconfigurare un controller su scheda o le impostazioni di avvio. Seguire la procedura descritta per avviare il programma di utilità BIOS Setup.

1. Accendere il server ed attendere che venga completata la verifica automatica all'accensione.
2. Annotare eventuali errori di configurazione visualizzati durante l'esecuzione della procedura di avvio. Quando la schermata informativa DIGITAL è visualizzata, premere [F2] o [F3] per accedere, rispettivamente, al menu Setup (configurazione) o System Management (gestione del sistema).
3. Seguire le istruzioni su schermo.

È possibile accedere alla guida in linea premendo [F1]. I tasti per la navigazione sono visualizzati in fondo a tutti i menu.

### Modifica della priorità di avvio

1. Avviare il programma di utilità BIOS Setup, premendo [F2].

2. In cima al menu Main (principale), selezionare Boot (avvio).
3. Selezionare "Boot Device Priority" (priorità del dispositivo di avvio) e premere [Invio].
4. Utilizzare i tasti freccia su e freccia giù per selezionare un dispositivo, quindi utilizzare i tasti + e - per incrementare o diminuire la posizione del dispositivo selezionato.
  1. ATAPI CD-ROM Drive (lettore di CD-ROM ATAPI)
  2. Diskette Drive (unità a dischetti)
  3. Hard Drive (disco rigido)
5. Per salvare le modifiche premere il tasto [Esc]. Dal menu nella parte superiore dello schermo, selezionare Exit (esci). Il seguente messaggio sarà visualizzato "Save configuration changes and exit now"; selezionare Yes e premere [Invio] per salvare la configurazione e uscire dal programma. Il sistema sarà riavviato e le modifiche salvate.

### Modifica di IRQ in conflitto

1. Avviare il programma di utilità del BIOS per la gestione del sistema, premendo [F3] e selezionare <PCI> per controllare le assegnazioni degli IRQ ai dispositivi PCI. Assicurarsi che non vi siano conflitti tra gli IRQ impostati.
2. Per modificare le impostazioni di un IRQ o per riservare un IRQ per una scheda di espansione ISA, riavviare il server ed avviare il programma di utilità BIOS Setup, premendo [F2].
3. Selezionare il menu Advanced (avanzato) nella parte superiore della schermata.



## Schede di espansione continua

4. Selezionare **PCI Configuration** (**configurazione PCI**) e premere [Invio].
5. Evidenziare la riga **PCI IRQ** contenente l'assegnazione dell'IRQ al dispositivo PCI che si desidera modificare e premere [Invio].
6. Utilizzare i tasti + e - per selezionare un IRQ disponibile, **auto select** (selezione automatica) o **disabled** (disabilitato). Il simbolo di asterisco ( \* ) viene visualizzato accanto ad un IRQ assegnato. Dopo aver selezionato l'IRQ desiderato, premere [Invio].
7. Per riservare della memoria e un numero di IRQ per una scheda di espansione ISA, selezionare i seguenti due menu.  
**PCI/PNP ISA UMB Region Exclusion**  
(esclusione della regione UMB PCI/PNP)  
**PCI/PNP ISA IRQ Resource Exclusions**  
(esclusione di IRQ PCI/PNP)
8. Per salvare le modifiche premere il tasto [Esc]. Dal menu nella parte superiore dello schermo, selezionare **Exit** (esci).

### **Programma di utilità di configurazione SCSI.**

Se sul server è stato aggiunto un dispositivo opzionale SCSI, è possibile eseguire il programma di utilità di configurazione SCSI per configurare le schede o i dischi rigidi appena installati.

Premere Ctrl + C quando il sistema richiede l'esecuzione del programma di utilità di configurazione SCSI, durante la procedura di avvio.

Per ulteriori informazioni sul programma di utilità di configurazione SCSI, consultare la *Guida di riferimento del sistema*.

### **NOTA**

Nel caso siano state installate delle schede SCSI, assicurarsi che la partizione MS-DOS sia presente sul dispositivo di avvio. In caso la partizione MS-DOS non sia sul dispositivo di avvio, è necessario spegnere il server, modificare l'ordine delle schede e configurare nuovamente il server. Per ulteriori informazioni, consultare la sequenza di scansione dei dispositivi presentata di seguito.

### **Programma di utilità di configurazione Mylex**

Questo programma di utilità per RAID viene eseguito se il server rileva la presenza di un controller RAID Mylex™. Utilizzando questo programma di utilità è possibile configurare i dispositivi RAID appena installati.

### **Sequenza di scansione dei dispositivi**

I dispositivi sono individuati ed inizializzati nel seguente ordine:

- lettore di CD-ROM IDE,
- controller SCSI su scheda, canale 1 quindi canale 2,
- slot PCI da 1-10,
- slot ISA 1 e 2.



### **AVVERTENZA:**

è possibile che la modifica di alcune delle impostazioni causi un incorretto funzionamento del server. Si consiglia di leggere attentamente ed assimilare le informazioni sulla configurazione del BIOS contenute nella *Guida di riferimento del sistema*, prima di procedere alla modifica delle impostazioni predefinite del server.

# 7

## Eeguire il programma Quick Launch su CD-ROM



Utilizzare il software di Quick Launch da cui è possibile avviare il sistema, per completare l'installazione del server.

### NOTA

I requisiti minimi richiesti per eseguire Quick Launch sono 16 MB di RAM, un disco rigido, un mouse, una tastiera, un monitor, una scheda di rete e un lettore di CD-ROM.

1. Inserire il CD-ROM di Quick Launch da cui è possibile avviare il sistema, contenuto nel kit del software DIGITAL ServerWORKS, nel lettore di CD-ROM. Accendere il server, per avviare il sistema da CD-ROM.

2. Scegliere la lingua tra le opzioni disponibili.
3. Verrà visualizzato un messaggio che chiede all'utente se desidera creare una partizione MS-DOS delle dimensioni adatte per il sistema operativo in dotazione. Il sistema chiede in seguito di confermare la scelta. Si noti che Windows NT richiede una partizione di 35 MB. Il sistema operativo *Novell NetWare* richiede una partizione di 30 MB su disco.

La schermata principale di Quick Launch viene visualizzata.

4. Dal menu principale di Quick Launch, selezionare *Installazioni e programmi di utilità*.
5. Scegliere la scheda Rapida per installare automaticamente *Windows NT* o *NetWare*.
6. Scegliere l'icona del sistema operativo che si desidera installare e la versione, quindi premere Continua. Viene visualizzata la pagina successiva, dove devono essere immesse ulteriori informazioni.

Dalla scheda *Crea dischetti* è possibile creare i dischetti dei programmi di utilità e dei driver richiesti se il sistema operativo installato è *SCO UNIX* o *OS/2*.

Per ulteriori informazioni consultare la *Guida introduttiva di ServerWORKS Quick Launch* inclusa nel kit del software ServerWORKS.

# 8

## Installazione Rapida del sistema operativo

### Installazione Rapida di Microsoft Windows NT Server & Novell NetWare

Prima di procedere all'installazione rapida di Microsoft *Windows NT* o di *Novell NetWare*, sarà richiesta l'immissione delle informazioni elencate di seguito.

#### *Windows NT Server*

Nome utente \_\_\_\_\_

Nome organizzazione \_\_\_\_\_

Nome server \_\_\_\_\_

Chiave CD NT \_\_\_\_\_

Tipo di server NT \_\_\_\_\_

Licenza \_\_\_\_\_

Fuso orario \_\_\_\_\_

Nome del gruppo di lavoro \_\_\_\_\_

Nome del dominio\* \_\_\_\_\_

Password del dominio \_\_\_\_\_

#### Rete

- Installare NWLink
- Installare NetBEUI
- Installare TCP/IP
  - Installare SNMP

#### File System

- NTFS
- FAT

Applicazione Service Packs

#### Applicazioni

- Oracle
- Internet Information Server

#### *Novell NetWare*

Nome server \_\_\_\_\_

Nome organizzazione \_\_\_\_\_

Nome albero directory \_\_\_\_\_

Password dell'amministratore \_\_\_\_\_

Tipo di frame \_\_\_\_\_

Numero rete esterna IPX \_\_\_\_\_

Fuso orario \_\_\_\_\_

Completare le informazioni come richiesto. Tenere pronto il kit software di Microsoft Windows NT o Novell Netware. Seguire le istruzioni sullo schermo per iniziare l'installazione del sistema operativo.

#### **NOTA**

Il protocollo SNMP ed Internet Information Server sono disponibili solo se l'opzione "Install TCP/IP" (installazione del protocollo TCP/IP) è selezionata.

\* Per un cluster DIGITAL, per ogni server utilizzare un nome di server diverso e lo stesso nome di dominio.

# 9

## Creare dischetti di utility e di driver di dispositivi del server

Per creare i dischetti necessari da stazioni di lavoro basate su Windows, attenersi alle seguenti istruzioni.

1. Inserire nel lettore di CD-ROM il disco di Quick Launch da cui è possibile avviare il sistema, disponibile nel kit software di ServerWorks.
2. Dal menu Avvio, selezionare *Esegui qlaunch.exe* dalla directory principale del disco a CD-ROM. Il programma di Quick Launch verrà avviato automaticamente se il sistema operativo installato è Windows 95 o Windows NT 4.0 o una versione superiore.
3. Selezionare il pulsante *Installazioni e programmi di utilità*.
4. Scegliere la scheda *Crea dischetti* o quella *Utility*. *Utility* è la selezione predefinita. Se si sceglie *Crea dischetti*, selezionare prima un modello, quindi un sistema operativo di rete e la relativa versione. Selezionare Avanti. Se si sceglie *Utility*, selezionare un modello di server per visualizzare le utility del server specifico.
5. Selezionare la utility o il driver e premere Avanti.
6. Inserire un dischetto formattato ad alta densità nell'unità A e scegliere Avanti.

### NOTA

Per ulteriori informazioni, consultare la guida introduttiva di *ServerWORKS Quick Launch* e la guida in linea nel programma ServerWORKS Quick Launch.

Qui di seguito sono elencati i driver di dispositivo di cui si potrebbe avere bisogno:

- SCSI—permette al server di operare usando il controller SCSI su scheda,
- Video—permette al server di operare usando il controller video su scheda o altre schede video supportate,
- RAID—abilita l'utilizzo del controller RAID,
- Rete—scegliere tra diversi driver di dispositivi per schede di interfaccia di rete supportate dalla DIGITAL.

Qui di seguito sono elencate le utility auto-partenti del server.

- RAID—permette la creazione di un dischetto, da cui è possibile avviare il sistema, contenente il programma di utilità di configurazione RAID, per configurare il gruppo RAID.
- Diagnostics (software diagnostico)—permette la creazione di dischetti, da cui è possibile avviare il sistema, da utilizzare per individuare eventuali problemi del server.
- BIOS Upgrade Utility (programma di utilità per l'aggiornamento del BIOS) — permette l'aggiornamento e il ripristino del BIOS del server.
- System Identification Utility (programma di utilità per l'identificazione del sistema)—permette di aggiornare il nome del modello del server quando viene aggiunto un processore.

# 10

## Registrare il server e consultare la documentazione

### Registrare

1. Annotare qui il numero di modello e il numero seriale del server.
  - Descrizione della famiglia di server:  
DIGITAL Server 5220  
(posizionato nella parte anteriore del server)
  - Numero di modello del server:  
  
(posizionato nella parte posteriore del server)
  - Numero di serie del server:  
  
(posizionato nella parte posteriore del server)
2. Spedire la scheda di registrazione contenuta nel kit di documentazione del server DIGITAL.

### Garanzia

- 3-anni di garanzia hardware sul posto.
- Fare riferimento alle *Informazioni di Garanzia e di Assistenza* per termini e condizioni di garanzia particolari.

### Se serve aiuto

Se si hanno domande sull'hardware, il software o la garanzia del server, si prega di contattare l'organizzazione di Assistenza Clienti della DIGITAL.

### Prima di chiamare la DIGITAL

1. Eseguire il programma diagnostico fornito con il server per isolare il problema. La diagnostica può essere avviata dalla partizione di MS-DOS creata da Quick Launch o si possono creare i dischetti di diagnostica da Quick Launch usando l'opzione *Utility* che si raggiunge tramite il pulsante *Installazioni e programmi di utilità*.
2. Avere a portata di mano il numero di modello e il numero seriale del server prima di chiamare.
3. Annotare qualsiasi messaggio di errore ed essere pronti a descrivere la sequenza di eventi che hanno portato al problema.
4. Chiamare 1-800-354-9000.

### Per informazioni tecniche

Informazioni di carattere tecnico sono disponibili su Internet 24 ore su 24. Per informazioni sui prodotti, collegarsi al seguente indirizzo:

<http://www.windows.digital.com>

Per l'assistenza tecnica, collegarsi al seguente indirizzo:

<http://www.windows.digital.com/support/support.asp>

Per accedere direttamente alla biblioteca di software e ottenere gli aggiornamenti al BIOS e ai driver, collegarsi al seguente indirizzo:

<http://www.windows.digital.com/~ftp/00-index.stm>



## Installare il software ServerWORKS Manager della DIGITAL

Una volta effettuata l'installazione del server e del sistema operativo di rete, installare il ServerWORKS Manager della DIGITAL per:

- accedere ad un'interfaccia di gestione del server facile da usare;
- controllare statistiche critiche del server PC;
- ottenere una mappa topologica della rete facile da leggere;
- gestire condizioni di guasto del server;
- supportare dispositivi di rete distribuiti SNMP da qualsiasi punto della LAN.

### **NOTA**

Per informazioni sull'installazione ed un elenco dei sistemi operativi compatibili, consultare la panoramica e la guida all'installazione nel kit del software ServerWORKS Manager della DIGITAL.





ER-J2BWW-IM.

A01

Copyright © Digital Equipment Corporation, 1998  
All Rights Reserved

DIGITAL and ServerWORKS are trademarks of Digital Equipment Corporation.

SCO is a trademark of The Santa Cruz Operation, Inc.

UNIX is a registered trademark of The Open Group

OS/2 is a registered trademark of International Business Machines Corporation.

MS-DOS and Windows are registered trademarks and NT is a trademark of Microsoft Corporation.

NetWare is a U.S. registered trademark of Novell, Inc.

All other trademarks and registered trademarks are the property of their respective holders.



Printed on  
recycled paper