

Installing the DEHUX Wall Mount Plate and Cover

Order Number EK-DEHUX-IN-001

Digital Equipment Corporation

February, 1991

The information in this document is subject to change without notice and should not be construed as a commitment by Digital Equipment Corporation. Digital Equipment Corporation assumes no responsibility for any errors that may appear in this document.

The software described in this document is furnished under a license and may be used or copied only in accordance with the terms of such license.

No responsibility is assumed for the use or reliability of software on equipment that is not supplied by Digital Equipment Corporation or its affiliated companies.

Restricted Rights: Use, duplication, or disclosure by the U. S. Government is subject to restrictions as set forth in subparagraph (c) (1) (ii) of the Rights in Technical Data and Computer Software clause at DFARS 252.227-7013.

Copyright © Digital Equipment Corporation 1991

All Rights Reserved.
Printed in U.S.A.

The following are trademarks of Digital Equipment Corporation: DEC, DECbridge, DECconnect, DEChub, DECnet, DECserver, Digital, LAT, ThinWire, and the DIGITAL logo.

This document was prepared and published by Educational Services Development and Publishing, Digital Equipment Corporation.

Contents

Introduction	1
Installation	1
Wall Mount Installation	1
Office Partition Mounting	5
Patch Panel Installation	5
Installing the Cover	5
Specifications	8
Parts List	8

Figures

1	Wall Mount Plate	2
2	Installing the Backplane on the Wall Mount Plate	4
3	Installing the Cover	7

Introduction

The DEHUX wall mount plate and cover option is for use with the DEChub 90 Ethernet Backplane. The wall mount plate holds the backplane, standard 19" rack mount patch panels and the cover. This option is used to mount the DEChub 90 on a wall or office partition. The wall mount plate comes with the hardware required to mount the unit on a solid wall, hollow wall, or office partition. This guide tells you how to install the DEHUX wall mount plate and cover.

Installation

When picking a location for the wall mount plate the weight of the plate, backplane, and cables must be considered. The total weight of the DEHUX wall mount plate and cover and the DEChub 90 backplane with power supply and eight modules is approximately 45 pounds.

Wall Mount Installation

1. Locate the wall mount plate (Figure 1), and have someone hold it in place against the wall. To place the LED indicators of the Work Group units at eye level it is recommended that the top of the wall plate be approximately 63 inches from the floor.

NOTE

Note that there are eight slotted mounting holes in the wall mounting plate, use the four nearest the corners for stability. The others are to be used if the unit cannot be securely fastened to the mounting surface using the four corner holes.

2. Mark the four slotted mounting hole locations on the wall and set the wall mounting plate aside.

2 Installing the DEHUX Wall Mount Plate and Cover

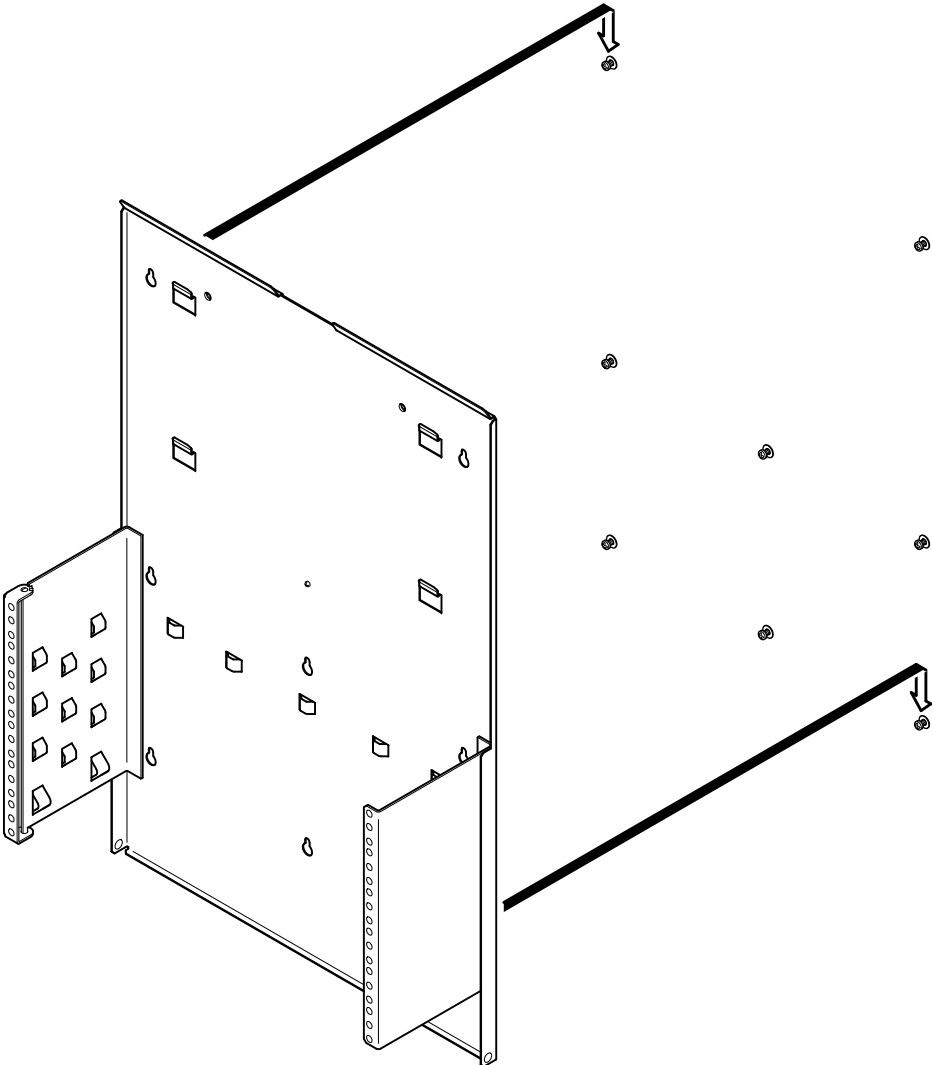


Figure 1 Wall Mount Plate

3. Select the appropriate fastener for the mounting surface.

The supplied wood screws can be used when the mounting surface is wood that is a minimum of 3/8" thick.

The supplied hollow wall fasteners can be used when the mounting surface is a hollow wall that is a maximum of 5/8" thick.

4. Using the selected fastener prepare to hang the wall mounting plate.

Wood Screws:

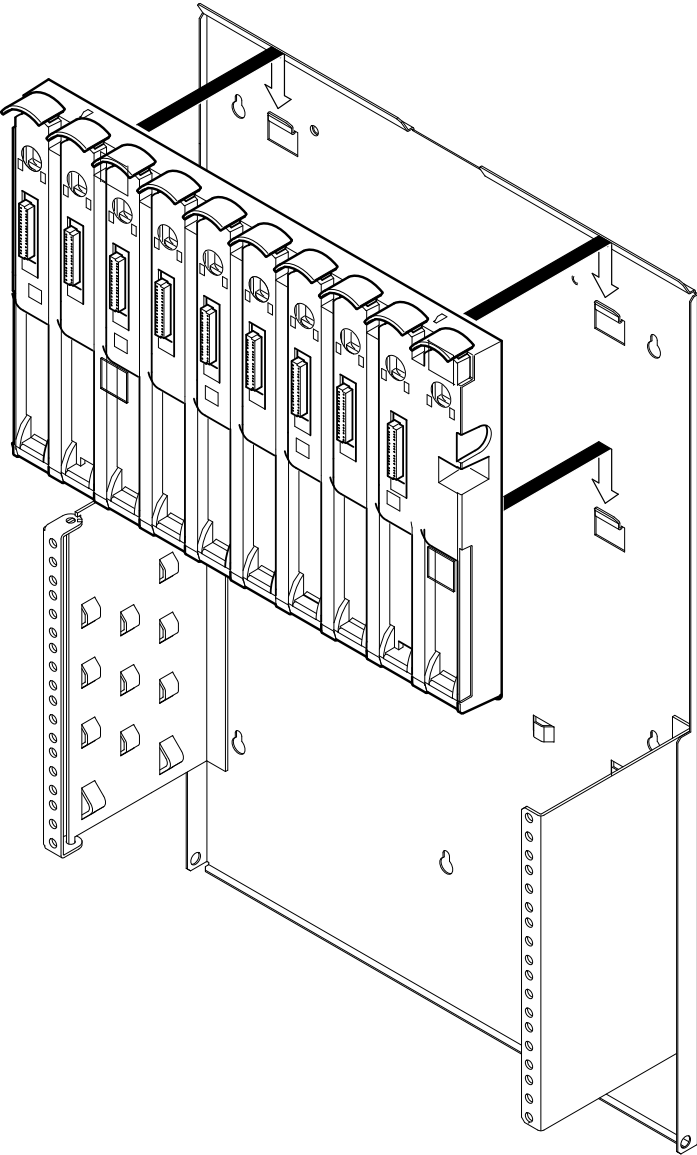
- a. Using a 7/64 inch bit drill pilot holes at the locations marked on the wall.
- b. Screw the wood screws into the pilot hole until the screw head is 1/4 inch from the surface of the wall.

Hollow Wall Fasteners:

- a. Using a 7/16 inch bit drill pilot holes at the locations marked on the wall.
 - b. Insert the hollow wall fasteners in the pilot holes and set in place by tightening the screws.
 - c. Unscrew each mounting screw until the screw head is 1/4 inch from the wall.
5. Set the slotted holes of the wall mount plate over the heads of the screws, and slide down until the screws contact the top of the slots.
 6. Tighten the mounting screws.
 7. Place the backplane over the four hooks on the wall mount plate, and press down until the backplane locks into place as shown in Figure 2.

Refer to the *DEChub 90 Ethernet Backplane Owner's Manual* (EK-DEHUB-OM) for more information on installing the backplane.

4 Installing the DEHUX Wall Mount Plate and Cover



LJ-00316-T10

Figure 2 Installing the Backplane on the Wall Mount Plate

Office Partition Mounting

1. Locate the office partition brackets and four (4) #6 screws that came with the wall mount plate.
2. Attach the office partition brackets, using the #6 screws, to the wall mount plate.
3. Hang the wall mount plate on the office partition.
4. Attach the backplane to the wall mount plate as shown in Figure 2.

Refer to the *DEChub 90 Ethernet Backplane Owner's Manual* (EK-DEHUB-OM) for more information on installing the backplane.

Patch Panel Installation

The patch panel may be Digital Equipment Corporation supplied or customer supplied. The DEHUX mounts will accept a variety of standard 19 inch panels with a maximum height of 10½ inches. This provides space for two standard 5¼ inch or 3½ inch high patch panels. Each panel is secured to the mounting brackets using four screws. The left hand mounting bracket pivots to allow access to the back of the installed patch panels without fully removing the patch panel(s). Cables are dressed down the left side using cable-ties and the loops stamped in the hinged mounting bracket.

Installing the Cover

The DEHUX cover is an attractive office environment compatible enclosure providing protection and security for the backplane and installed components. After you are finished installing and cabling the Work Group units you can install the cover as shown in Figure 3. For security the cover has two holes in its lower left and right corners that align with two holes in the wall mount plate. You can use a lock or some other device to lock the cover in place.

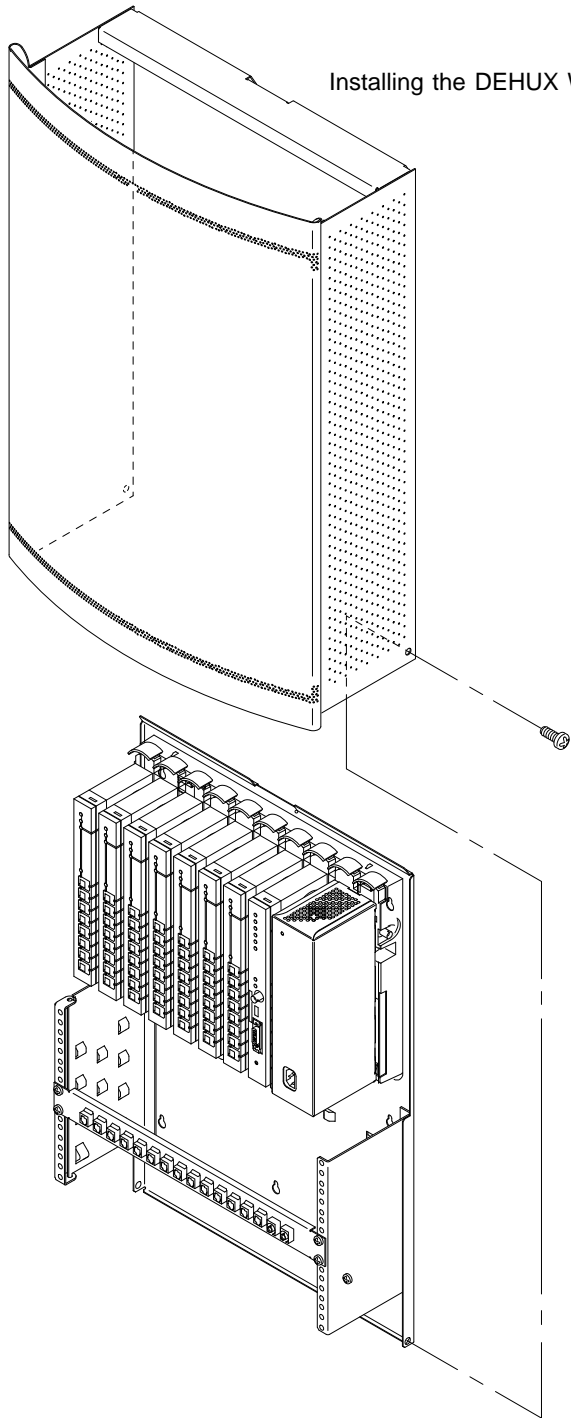
To install the DEHUX cover:

1. Place the cover over the wall mount plate, backplane, and distribution panels.
2. Slide the cover down until the top back edge of the cover catches on the top lip of the wall mount plate.

The cover can be locked to the wall plate using holes located at the lower left and lower right of the cover.

6 Installing the DEHUX Wall Mount Plate and Cover

3. Mark the location label and slide it in to the slots on the top of the cover.



LJ-00570-TI0.DG

Figure 3 Installing the Cover

8 Installing the DEHUX Wall Mount Plate and Cover

Specifications

Component Weights

DEHUX wall mount panel	5.45 kg (12 lb)
DEHUX cover	4.55 kg (10 lb)

Mounting Area

Height	73.66 cm (29 in)
Width	54.61 cm (21½ in)

Required Clearances

Top and Bottom	30.48 cm (12 in)
Sides	2.54 cm (1 in)
Front (outward from wall)	62.23 cm (24½ in)

Parts List

Quantity	Description
1	DEHUX wall mount plate
1	DEHUX cover
1	Location Label
2	Partition hangers
2	8-32 x 5/16" machine screws
6	10 x 1" wood screws
6	3/16 x 2" hollow wall fasteners
8	10-32 x 1/2" machine screws
8	10-32 U-nuts
