

DECswitch 900EE Router

Installation and Configuration

Part Number: EK-DEBMP-DN.B01

December 1996

This book describes how to install and configure the DECswitch 900EE module.

Revision/Update Information: This is a revised document.

Digital Equipment Corporation makes no representations that the use of its products in the manner described in this publication will not infringe on existing or future patent rights, nor do the descriptions contained in this publication imply the granting of licenses to make, use, or sell equipment or software in accordance with the description.

Possession, use, or copying of the software described in this publication is authorized only pursuant to a valid written license from Digital or an authorized sublicensor.

© Digital Equipment Corporation 1996. All rights reserved. Printed in U.S.A

The following are trademarks of Digital Equipment Corporation: DEC, DEChub, DECnet, DECswitch, DECconnect, Digital, MultiSwitch, RouteAbout, ThinWire, VAX, VMS, clearVISN, and the Digital logo.

The following are third-party trademarks:

AppleTalk is a registered trademark of Apple Computer, Inc.

Novell and IPX are registered trademarks of Novell, Inc.

All other trademarks and registered trademarks are the property of their respective holders.

FCC Notice — Class A Computing Device:

This equipment generates, uses, and may emit radio frequency energy. The equipment has been type tested and found to comply with the limits for a Class A digital device pursuant to Part 15 of FCC rules, which are designed to provide reasonable protection against such radio frequency interference.

Operation of this equipment in a residential area may cause interference in which case the user at his own expense will be required to take whatever measures may be required to correct the interference. Any modifications to this device - unless expressly approved by the manufacturer - can void the user's authority to operate this equipment under part 15 of the FCC rules.

VCCI Notice — Class 1 Computing Device:

This equipment is in the 1st Class category (information equipment to be used in commercial and/or industrial areas) and conforms to the standards set by the Voluntary Control Council for Interference by Data Processing Equipment and Electronic Office Machines aimed at preventing radio interference in commercial and/or industrial areas. Consequently, when used in a residential area or in an adjacent area thereto, radio interference may be caused to radios and TV receivers. Read the instructions for correct handling.

CE Notice — Class A Computing Device:

Warning!

This is a Class A product. In a domestic environment, this product may cause radio interference, in which case the user may be required to take adequate measures.

Achtung!

Dieses ist ein Gerät der Funkstörgrenzwertklasse A. In Wohnbereichen können bei Betrieb dieses Gerätes Rundfunkstörungen auftreten, in welchen Fällen der Benutzer für entsprechende Gegenmaßnahmen verantwortlich ist.

Attention!

Ceci est un produit de Classe A. Dans un environnement domestique, ce produit risque de créer des interférences radioélectriques, il appartiendra alors à l'utilisateur de prendre les mesures spécifiques appropriées.

Contents

Preface

Overview	ix
Purpose of This Document	ix
Intended Audience	ix
Organization	x
Conventions	xi
Overview	xi
Associated Documents	xii
Correspondence	xiv
Documentation Comments	xiv
Online Services	xiv
How to Order Additional Documentation	xv

Safety

Overviewxvii
----------------	-------

1 Product Description

Overview	1-1
Introduction	1-1
In this chapter	1-1
What is the DECswitch 900EE Router?	1-2
Features	1-3
Hot Swap	1-3
Configuration and Management	1-3
Routing Protocols	1-4
Bridging	1-4
Virtual LAN Support	1-5
Ethernet	1-6
SNMP	1-7

EasyStart	1-8
-----------------	-----

2 Installing the Module

Overview	2-1
Introduction	2-1
In this chapter	2-1
Module Components	2-2
Back Panel Features	2-4
Installing the Module in a DEChub 900	2-6
Task 1: Compare the Power Ratings	2-7
Task 2: Seat the Module into the DEChub 900	2-8
Task 3: Verify Initial LED Operation	2-9
Task 4: Connect the Cables	2-10
Task 4 (Cont.): Connect the AUI Cable	2-11
Task 4 (Cont.): Connecting the UTP/STP Cable	2-12

3 Installing the Setup Port Cable

Overview	3-1
Introduction	3-1
In this chapter	3-1
Signaling Standards	3-2
Setup Port Device Cabling	3-3
Connecting the Setup Port	3-4

4 Configuring the Module in a Standalone Unit

Overview	4-1
Introduction	4-1
In this chapter	4-1
Accessing the Setup Port	4-2
Using Menus to Setup the Module	4-3
[1] Restart with Factory Defaults	4-5
[2] Restart with Current Settings	4-6
[3] Show Current Settings	4-7
[4] Configure IP	4-8
[1] Set SNMP Read/Write Community	4-9
[2] Set In-Band Interface IP Address	4-10
[3] Set Out-of-Band Interface IP Address	4-11
[4] Set Default Gateway	4-12

[5] Configure Out-of-Band Port	4-13
[1] Set Port Speed	4-14
Go To Local Console	4-15
[6] Go To Local Console (Qconfig)	4-15
[3] Go To Local Console (Commands)	4-16

5 Configuring the Module in a DEChub 900

Overview	5-1
Introduction	5-1
In this chapter	5-1
Accessing the Setup Port	5-2
DEChub 900 MultiSwitch Installation Menu	5-4
[9] Start Redirect Mode	5-5
Using Menus to Setup the Module	5-6
[1] Restart with Factory Defaults	5-8
[2] Restart with Current Settings	5-9
[3] Show Current Settings	5-10
[4] IP Configuration	5-11
[1] Set SNMP Read/Write Community	5-12
[2] Set In-Band Interface IP Address	5-13
[3] Set Out-of-Band Interface IP Address	5-14
[4] Set Default Gateway	5-15
Go to Local Console	5-16
[5] Go To Local Console (Qconfig)	5-17
[3] Go To Local Console (Commands)	5-18

6 Configuration Commands

Overview	6-1
Introduction	6-1
In this chapter	6-1
Accessing Configuration Commands	6-2
To Exit and Restart	6-2
Configuring Ethernet Port Connection	6-3
Configuring OBM Port	6-4
Configuring Virtual LANs	6-5
Creating, Deleting, and Modifying VLANs	6-6
? (Help)	6-7
Create	6-7
Delete	6-7
Modify	6-8
List	6-8

Assigning Frame Types to VLANs	6-9
Assigning IPX Encapsulation to VLAN Ports	6-10

7 Monitoring Commands

Overview	7-1
Introduction	7-1
In this chapter.	7-1
Accessing Monitoring Commands	7-2
To Exit Monitor Mode	7-2
Listing All Interfaces.	7-3
Monitoring Ethernet Port Connection.	7-4
Monitoring Virtual Interfaces	7-5
Displaying VLAN Configurations.	7-5
Listing VLAN Connections	7-6
Listing a Virtual Interface	7-7

8 Removing the Module

Overview	8-1
Introduction	8-1
In this chapter.	8-1
Removing the Cables	8-2
Unseating the Module	8-3

A Problem Solving

Overview	A-1
Introduction	A-1
In this appendix	A-1
LED Descriptions	A-2
Normal Powerup	A-2
Problem Solving Using LEDs.	A-4

B Connector and Pin Assignments

Overview	B-1
Introduction	B-1
In This Chapter.	B-1
Connector Assignments.	B-2

10BaseT (8-pin MJ) Port Connector	B-2
AUI (15-pin D-Sub) Port Connector	B-3
H8571-J Adapter	B-4
H8575-A Adapter	B-5
Internal and External Crossover Configurations	B-6

C Product Specifications

Overview	C-1
Introduction	C-1
In this appendix	C-1
Operating Specifications	C-2
Connectors	C-4
Acoustical Specifications	C-5

Index

Figures

Figure 2-1 Front Panel	2-3
Figure 2-2 Back Panel Layout	2-5
Figure 2-3 Module Power Ratings	2-7
Figure 2-4 Seating the Module	2-8
Figure 2-5 AUI Cable Connection	2-11
Figure 2-6 UTP/STP Cable Connection	2-13
Figure 3-1 Device, Cable and Connector Identification	3-5
Figure 8-1 Cable Removal	8-2
Figure 8-2 Unseating the Module	8-3
Figure B-1 10BaseT Port Connector	B-2
Figure B-2 AUI Port Connector	B-4
Figure B-3 H8571-J Adapter	B-4
Figure B-4 H8575-A Adapter	B-5
Figure B-5 External Crossover Configurations	B-6
Figure B-6 Internal Crossover Configurations	B-6

Tables

Table 2-1 Front Panel LED and Connectors	2-2
Table 2-2 Back Panel Feature Descriptions	2-4
Table 6-1 Frame Encapsulation Types	6-9
Table A-1 Module LED States	A-3

Table A-2 Problem Solving Using LEDs	A-4
Table B-1 10BaseT Port Connector Pin Assignments	B-2
Table B-2 AUI Port Connector	B-3
Table C-1 Product Specifications	C-2
Table C-2 Connectors on the DECswitch 900EE	C-4
Table C-3 Connectors on the DEChub ONE.	C-4
Table C-4 Acoustical Specifications	C-5
Table C-5 Aktuelle Werte für spezielle Produkt.	C-5

Preface

Overview

Purpose of This Document

This manual describes how to install the DECswitch 900EE Router in a DEChub 900 MultiSwitch or a DEChub ONE docking station. This manual also describes how to configure the DECswitch 900EE Router software to operate in either a DEChub 900 MultiSwitch or as a standalone module in a DEChub ONE docking station.

Intended Audience

This manual is intended for use by personnel who will install, configure and monitor the DECswitch 900EE Router.

Organization

This manual is organized as follows.

Chapter	Description
1	Provides an overview of the DECswitch 900EE Router and describes its features.
2	Describes front and back panel features and provides instructions for installing the module in a DEChub 900 MultiSwitch.
3	Provides instructions for installing the setup port cable.
4	Provides instructions for configuring the module in a DEChub ONE.
5	Provides instructions for configuring the module in a DEChub 900 MultiSwitch.
6	Provides instructions for configuring the module using commands.
7	Provides instructions for monitoring the module using commands.
8	Provides instructions for removing the module from a DEChub 900 MultiSwitch.
A	Provides installation-specific troubleshooting information using the LEDs.
B	Provides connector and pin assignment information.
C	Provides product specifications.

Conventions

Overview

This book uses the following conventions.

Convention	Description
Bold	Boldface type in example indicates user input.
<code>Special Type</code>	This special type in examples indicates system output or user output.
<Return>	Indicates that you should press the Return key.

Associated Documents

The following documents provide information relating to the module. To order any of the following documents, refer to the directions at the end of this preface.

Title and Order Number	Description
<i>Bridging Configuration Guide</i> AA-QL29D-TE	Describes bridging methods, operational features of bridging, configuration methods and basic configurations, and monitoring of bridging software.
Event Logging System Messages Guide AA-QL2AD-TE	Describes messages logged by the Event Logging System.
<i>Network Interface Operations Guide</i> AA-QL2BD-TE	Describes the configuring and monitoring of the network interfaces in the Bridge Router Software bridging router.
<i>Bridge Router Software Router Protocols Reference Guide</i> AA-QL2CD-TE	Provides detailed reference information about the micro-operating system structure and the protocols and interfaces that the bridging routers support.
<i>Bridge Router Software Routing Protocols Users Guide</i> AA-QL2DD-TE	Explains how to configure and monitor the routing protocol software.
<i>Bridge Router Software System Software Guide</i> AA-QL2ED-TE	Describes the installation, configuration, and operation of the Bridge Router Software.
<i>Bridging Configuration Guide</i> AA-QL29D-TE	Describes bridging methods, operational features of bridging, configuration methods and basic configurations, and monitoring of bridging software.

Associated Documents

Title and Order Number	Description
SNA Configuration Guide AA-QU5SB-TE	Describes SNA configuration.
<i>DEChub 900 MultiSwitch Owner's Manual</i> EK-DH2MS-OM	Provides installation, use, security, and troubleshooting information for the DEChub 900 MultiSwitch.
<i>DEChub ONE Installation</i> EK-DEHU2-IN	Provides installation and operation guidelines for standalone module configuration, including mounting options and cabling.
<i>DEChub ONE MX Installation</i> EK-DEF1H-IN	Provides installation and operation guidelines for standalone module configuration, including mounting options and cabling.
clearVISN Installation AA-QX876B-TK	Describes how to install clearVISN software. It includes a list of distribution kit contents, system requirements, pre-installation considerations, and the installation procedure.
clearVISN Product Overview AA-QX87B-TK	Provides an overview of clearVISN, an explanation of each clearVISN application, and descriptions of all concepts necessary to understand and use the application efficiently.
clearVISN Configuration and Use AA-QX88B-TK	Provides information for starting each application, configuring them (when necessary), and general use information.

Correspondence

Documentation Comments

If you have comments or suggestions about this document, send them to the Network Products Business Organization.

Attn.: Documentation Project Manager

FAX: (508) 486-6093

E-MAIL: doc_feedback@lkg.mts.dec.com

Online Services

To locate product specific information, refer to the following online services:

BBS To read the Bulletin Board System, set your modem to 8 bits, no parity, 1 stop bit and dial 508-486-5777 (U.S.)

WWW The Digital Equipment Corporation Network Products Business Home Page on the World Wide Web is located at the following addresses:

North America: <http://www.networks.digital.com>

Europe: <http://www.networks.europe.digital.com>

Australia: <http://www.digital.com.au/networks>

How to Order Additional Documentation

To order additional documentation, use the following information:

To Order:	Contact:
By Telephone	USA (except Alaska, New Hampshire, and Hawaii): 1-800-DIGITAL (1-800-344-4825) Alaska, New Hampshire, and Hawaii: 1-603-884-6660 Canada: 1-800-267-6215
Electronically (USA. only)	Dial 1-800-DEC-DEMO (For assistance, call 1-800-DIGITAL)
By Mail (USA and Puerto Rico)	DIGITAL EQUIPMENT CORPORATION P.O. Box CS2008 Nashua, New Hampshire 03061 (Place prepaid orders from Puerto Rico with the local Digital subsidiary: 809-754-7575)
By Mail (Canada)	DIGITAL EQUIPMENT of CANADA LTD. 940 Belfast Road Ottawa, Ontario, Canada K1G 4C2 Attn.: A&SG Business Manager
Internationally	DIGITAL EQUIPMENT CORPORATION Attn.: A&SG Business Manager c/o local Digital subsidiary or approved distributor
Internally	U.S. Software Supply Business (SSB) DIGITAL EQUIPMENT CORPORATION 10 Cotton Road Nashua, New Hampshire 03063

Safety

Overview

Any warning or caution that appears in this manual is defined as follows:

WARNING	Contains information to prevent personal injury.
CAUTION	Contains information to prevent damage to equipment.
VORSICHT	Enthält Informationen, die beachtet werden müssen um den Benutzer vor Schaden zu bewahren.
ACHTUNG	Enthält Informationen, die beachtet werden müssen um die Geräte vor Schaden zu bewahren
DANGER	Signale les informations destinées à prévenir les accidents corporels.
ATTENTION	Signale les informations destinées à prévenir la détérioration du matériel.
AVISO	Contiene información para evitar daños personales.
PRECAUCIÓN	Contiene información para evitar daños al equipo.

The cautions that must be observed for the hardware described in this manual are listed below in English, German, French, and Spanish.

CAUTION	This action deletes all configured settings and replaces them with factory default values. All configuration settings will be lost.
ACHTUNG	Bei diesem Vorgang werden alle Konfigurationseinstellungen gelöscht und die Werkseinstellungen wieder eingesetzt. Alle Konfigurationsdaten gehen verloren.
ATTENTION	Cette action supprime tous les paramètres de configuration et les remplace par des valeurs prédéfinies. Tous les paramètres de configuration seront perdus.
PRECAUCIÓN	Esta intervención borrará todos los parámetros de configuración y los sustituirá por valores por defecto definidos de fábrica. Se perderán todos los parámetros de configuración.

Chapter 1

Product Description

Overview

Introduction

This chapter describes the DECswitch 900EE Router product and its features.

In this chapter

Topic	Page
What is the DECswitch 900EE Router?	1-2
Features	1-3

What is the DECswitch 900EE Router?

What is the DECswitch 900EE Router?

The DECswitch 900EE Router (also referred to in this manual as the module) provides multiprotocol routing and switching. This module interconnects networks that have both routable and nonroutable protocols. It routes some protocols while switching others.

The module can be configured in the DEChub 900 MultiSwitch or as a standalone unit into a DEChub ONE docking station (see the *DEChub ONE Installation* manual).

The DECswitch 900EE Router is available with the following two protocol packages:

- Internet Protocol (IP)
- Multiprotocol (MP)

The IP package supports IP routing and bridging. The Multiprotocol package includes bridging and supports IP, IPX, AppleTalk Phases I & II, DECnet Phase IV, and DECnet/OSI protocols.

The DECswitch 900EE Router also provides virtual LAN support, in which the DECswitch bridges a protocol within a port group while concurrently routing the protocol between port groups. A port group is a set of switch ports and has a virtual interface that acts as a single connection on the LAN.

The DECswitch 900EE Router provides the interconnection between six 10 Mb/s Ethernet LANs.

Ethernet is Digital's term for its product compatibility with the ISO 8802-3/ANSI/IEEE 802.3 standards and the Ethernet standards for Carrier Sense Multiple Access with Collision Detection (CSMA/CD) local area networks (LANs).

The DECswitch 900EE Router standards-compliant technology (IEEE 802.1d, 802.1h, 802.1i, 802.2, 802.3) ensures interoperability in multivendor networks.

Features

Your DECswitch 900EE Router module includes the following features.

Hot Swap

The module's hot swap capability allows you to install or remove the module from a DEChub 900 without turning off the power.

Configuration and Management

The following configuration and management options are available:

- Configuration and management through a command line interface in two ways:
 - locally via the setup port in a DEChub ONE docking station or the DEChub 900 (in a DEChub 900, you must redirect the hub setup port to the module)
 - remotely via Telnet in both the DEChub 900 and the DEChub ONE
- Upgradeable device firmware (in nonvolatile Flash memory) using Trivial File Transfer Protocol (TFTP).
- Out-of-Band Management (OBM) over Serial Line Internet Protocol (SLIP) through the OBM connector as an alternative to in-band management.
- LAN hopping and launching of Telnet windows via Digital's clearVISN MultiChassis Manager product.
- SNMP Gets and Traps for monitoring, and Sets for enabling and disabling router interfaces. The address translation and routing tables are not settable.
- In a DEChub ONE docking station, access to port 4 either through the module's front UTP connector or through the DEChub ONE's AUI port.

Features

Routing Protocols

The following routing protocols are supported:

- IP protocols, which are as follows:
 - OSPF (Open Shortest Path First)
 - RIP (Routing Information Protocol)
 - BGP-4 (Border Gateway Protocol)
 - EGP (Exterior Gateway Protocol)
 - IS-IS (Integrated Intermediate System to Intermediate System)
 - MOSPF (Multicast Open Shortest Path First)
 - PIM (Protocol Independent Multicast)
 - DVMRP (Distance Vector Multicast Routing Protocol)
- IPX
- AppleTalk Phases I & II
- DECnet Phase IV
- DECnet/OSI

Bridging

The following bridging options are supported:

- Spanning tree loop detection protocol IEEE 802.1d.
- Ability to enable or disable spanning tree algorithm on individual switch ports on a per-port basis.
- High-speed local traffic filtering and forwarding.
- Flexible filtering (source address, destination address, and protocol) for greater network control, increased security and bandwidth utilization, and reduced propagation of network problems.

Virtual LAN Support

The DECswitch 900EE can bridge a protocol within a virtual LAN while concurrently routing the protocol between virtual LANs.

A virtual LAN (VLAN) is a set of switch ports. A port can be a member of only one VLAN. Ports within a VLAN can communicate as though they were connected to the same physical LAN. The DECswitch 900EE can support up to 7 VLANs.

Each VLAN has an associated virtual interface. The DECswitch 900EE routes traffic to and from a virtual interface as if it were a single connection to a bridged LAN consisting of the ports in the VLAN. Thus, in the case of IP, there is a single subnet for all the switch ports in the VLAN.

Protocols that are configured to be routed on the DECswitch 900EE are actually bridged between members of a VLAN. Protocols that are not configured to be routed on the DECswitch 900EE are bridged between ports regardless of the VLAN configuration.

The VLAN capability of the module has the following features:

- Ability to segment the network into logically separate virtual LANs
- Support for up to 7 VLANs in the network
- Segmentation of network bandwidth via software
- Partitioning of network into different protocol domains
- Containment of multicast and broadcast traffic within a VLAN
- Ease of network configuration and administration
- Compatibility with existing, non-VLAN-capable switches from Digital as well as other vendors

Features

Ethernet

Ethernet support is as follows:

- Six 802.3/Ethernet LAN ports.
- Translation of AppleTalk 1 and AppleTalk 2 AARP packets; handling of raw IEEE 802.3 Novell IPX packets.
- The DECswitch 900EE Router has six 802.3/Ethernet LAN ports that are individually switchable to a DEChub 900 backplane LAN through the clearVISN MultiChassis Manager. One of the 10BaseT ports (port 2) can be redirected to the DEChub 900 backplane ThinWire LAN segment via the clearVISN MultiChassis Manager. When the module is installed into a DEChub ONE docking station, you can configure either the DEChub ONE's AUI port or the DECswitch 900EE's (front panel) Port 3 as an active Ethernet Interface. Each of the ports is individually switchable to a DEChub 900 backplane LAN through the clearVISN MultiChassis Manager. Port 3 can be redirected to the DEChub 900 backplane ThinWire LAN segment via the clearVISN MultiChassis Manager.

SNMP

The complete MIB-II is provided with the exception of ifInNUcastPkts, ifOutNUcastPkts, and the TCP group. SNMP Gets and Traps are supported for the following RFCs.

- Structure and Identification of Management Information for TCP/IP-based Internets (RFC 1155)
- SNMP management (RFC 1157)
- Management Information Base for Network Management of TCP/IP-Based Internets: MIB-II (RFC 1213)
- AppleTalk MIB (RFC 1243)
- OSPF Version 2 MIB (RFC 1253)
- Bridge MIB (RFC 1286)
- Ethernet MIB (RFC 1623)

Sets are supported for enabling and disabling router interfaces. The address translation and routing tables are not settable.

Manageability using any generic SNMP management application that supports the MIBs listed above.

Features

EasyStart

EasyStart is a feature that allows you to downline load configuration files that are stored on a central server. The configuration files are identified by the MAC address of a LAN interface on the Router.

Using EasyStart eliminates the need for an initial configuration via the console port. When the module is booted, it autoconfigures all interfaces and sends out requests to load its configuration file. Once the file is received, the module automatically restarts so that the configuration parameters specified in the file take effect.

Chapter 2

Installing the Module

Overview

Introduction

This chapter describes the front and back panel components of the DECswitch 900EE Router and tells you how to install the DECswitch 900EE Router in a DEChub 900 MultiSwitch. To install a module in a DEChub ONE docking station refer to the *DEChub ONE Installation* manual.

In this chapter

Topic	Page
Module Components	2-2
Installing the Module in a DEChub 900	2-6
Task 1: Compare the Power Ratings	2-7
Task 2: Seat the Module into the DEChub 900	2-8
Task 3: Verify Initial LED Operation	2-9
Task 4: Connect the Cables	2-10

Module Components

The LED indicators and connectors on the front panel (Figure 2-1) of the DECswitch 900EE Router are described in Table 2-1.

Table 2-1: Front Panel LED and Connectors



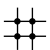
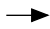
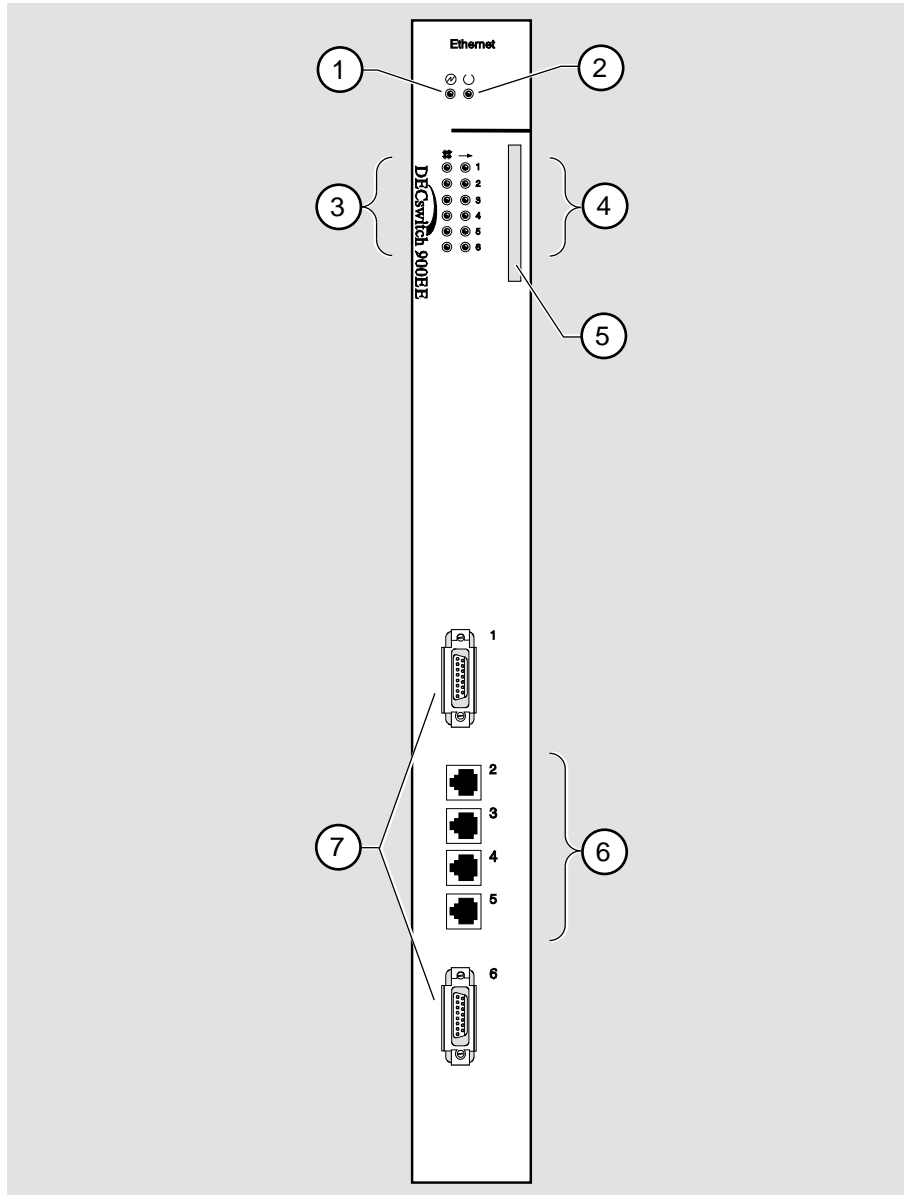
Item	Icon	Name	Description
1		Power LED	Indicates the module has power.
2		Module OK LED	Indicates the module passed self-test. Off = failed self-test. Blinking = non-fatal failure.
3		Port State LEDs 1- 6	Indicates network traffic level on Ports 1 through 7. Green = enabled and running. Blinking Green = management disabled a port. Off = failed maintenance test or invalid network connection.
4		Network Activity LEDs 1- 6	Indicates network traffic level through the front panel (green) or the backplane or docking station (yellow).
5		Address Label	Contains the lowest of seven consecutive MAC addresses that corresponds to port 1. For example, if Port 1 = 08-00-2B-AB-0C-08, then the consecutive port MAC addresses are: Port 2 = 08-00-2B-AB-0C-09 Port 3 = 08-00-2B-AB-0C-0A Port 4 = 08-00-2B-AB-0C-0B Port 5 = 08-00-2B-AB-0C-0C Port 6 = 08-00-2B-AB-0C-0D
6		802.3/ Ethernet AUI (15-pin D-Sub)	Refer to the <i>OPEN DECconnect Applications Guide</i> for a list of AUI media adapters you can use with your module.
7		10BaseT (8-pin MJ) connector	Wired as straight-through connectors; support UTP and STP cabling.

Figure 2-1: Front Panel



LKG-9549-95F

Back Panel Features

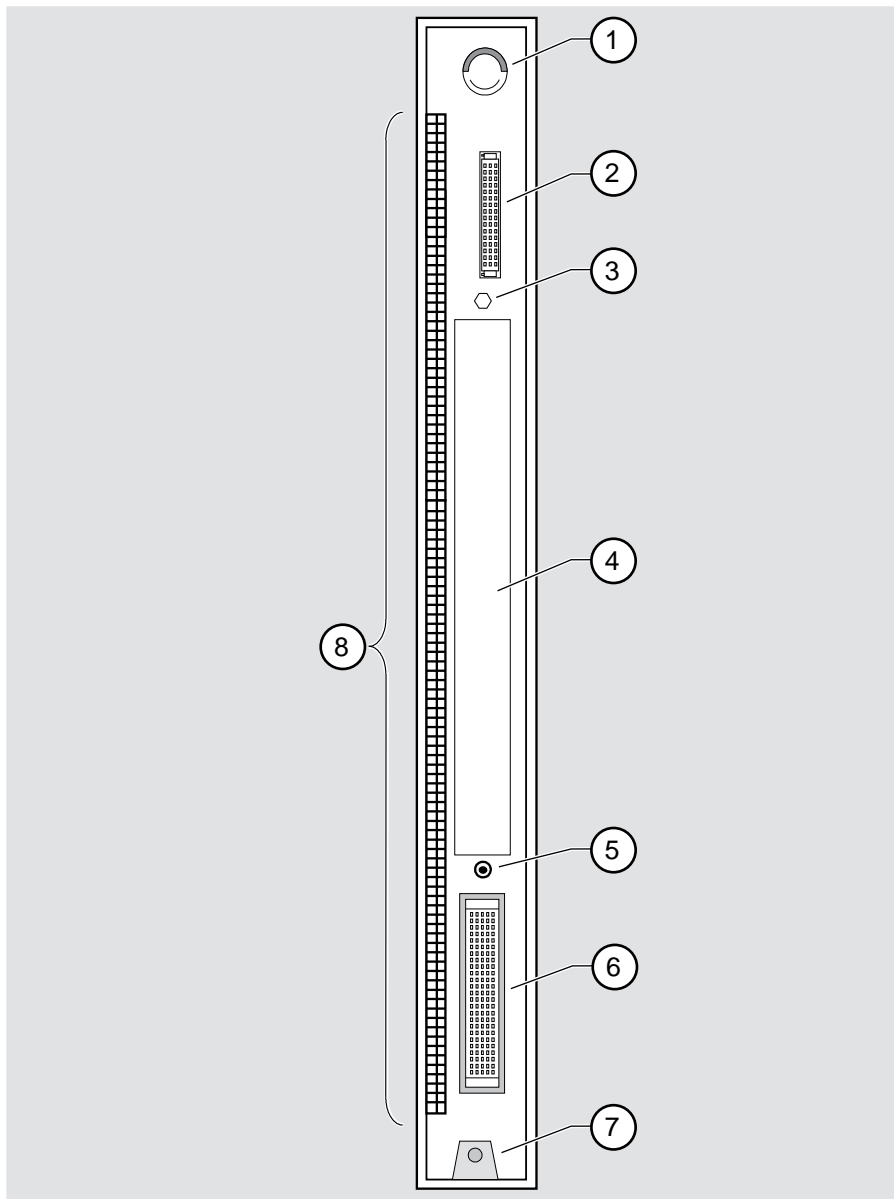
The features on the back panel (Figure 2-2) of the DECswitch 900EE Router are listed in Table 2-2.

Table 2-2: Back Panel Feature Descriptions

Item	Name	Description
1	Locking tab	Locks the module into the DEChub 900 and engages the power switch.
2	48-pin connector	Provides network and power connections to the module when the module is installed in a DEChub 900 or DEChub ONE.
3	Grounding bolt	Provides a chassis ground connection between the module and the DEChub 900 or the DEChub ONE.
4	Manufacturing label	Lists the module's part number, serial number, revision level, and power requirements.
5	Connecting screw	
6	160-pin connector	Provides network and power connections to the module when the module is installed into a DEChub 900 or a DEChub ONE docking station.
7	Mounting tab	Secures the module when it is installed into a DEChub 900 or a DEChub ONE docking station.
8	Grounding fingers	Provide additional chassis grounding between the module and a DEChub 900 or a DEChub ONE docking station.

Back Panel Features

Figure 2-2: Back Panel Layout



NPG-9723-95F

Installing the Module in a DEChub 900

The DECswitch 900EE Router hot-swap feature allows you to install the module into the DEChub 900 without turning off power. Seating the module initiates the module's powerup sequence if enough power is available.

Installing the module in a DEChub 900 involves the following tasks:

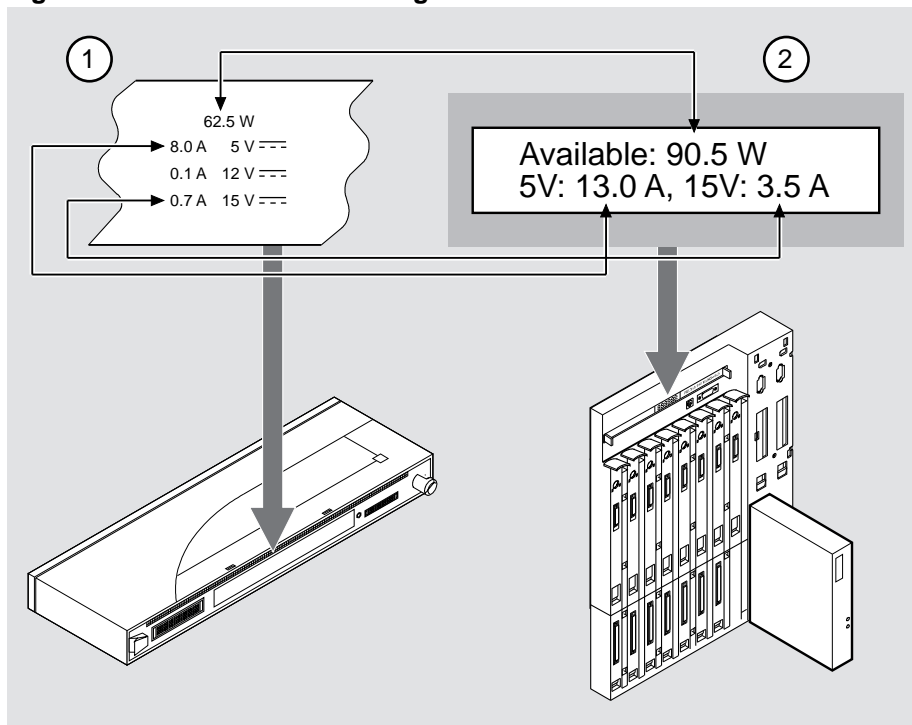
Description	Page
Task 1: Compare the Power Ratings	2-7
Task 2: Seat the Module into the DEChub 900	2-8
Task 3: Verify Initial LED Operation	2-9
Task 4: Connect the Cables	2-10

Task 1: Compare the Power Ratings

Compare the module's power ratings (1) with the values shown in the Hub Manager Status display (2) (see Figure 2-3). If the power values on the module's manufacturing label do not exceed the values shown in the Hub Manager status display, go to Task 2.

If the power values on the module's manufacturing label exceed the values shown in the Hub Manager status display, add another power supply to the DEChub 900 (refer to the *DEChub 900 MultiSwitch Owner's Manual*). The 12V power in the DEChub 900 is derived from the 15V source. Although it is listed separately in the product specifications, the 12V requirements are included in the 15V power total.

Figure 2-3: Module Power Ratings



NPG-0107-95F

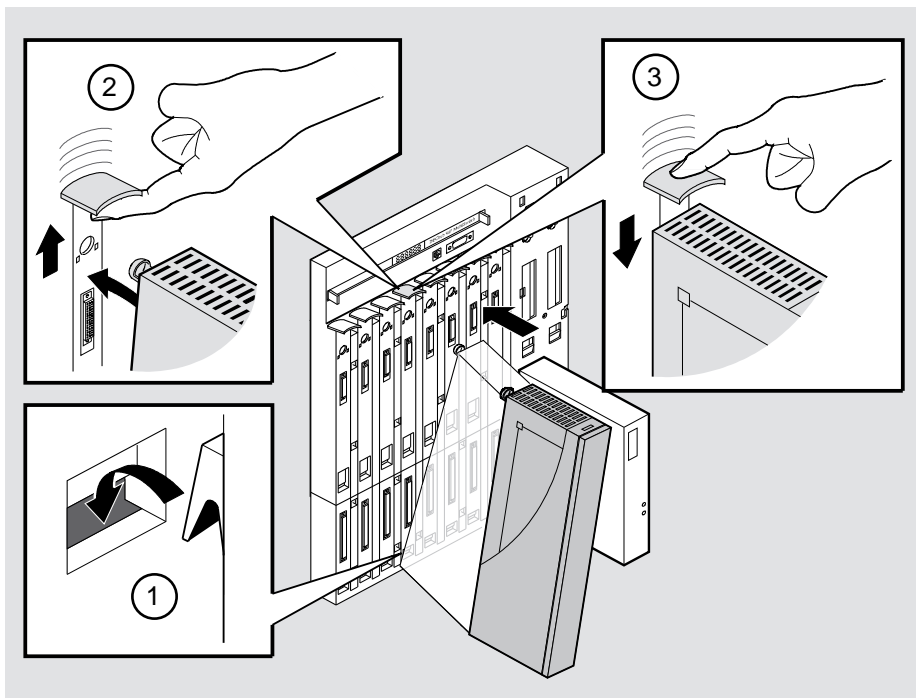
Task 2: Seat the Module into the DEChub 900

Task 2: Seat the Module into the DEChub 900

To seat the module, perform the following steps (refer to Figure 2-4).

Step	Action
1	Place the module's mounting tab into a mounting slot (1) on the DEChub 900.
2	Pull up the release lever (2) to its unlocked position.
3	Pivot the module on the mounting slot and align the connectors.
4	Firmly push the module onto the backplane connectors.
5	Press down on the release lever (3) to ensure that the module is locked.

Figure 2-4: Seating the Module



NPG-0004-95F

Task 3: Verify Initial LED Operation

Verify that the module's Power LED and the Module OK LED light within 1 minute (see Figure 2-1). The LEDs light in the following two occurrences:

Occurrence	Description
1	The Power LED lights when power is applied to the DEChub 900, then the module performs a self-test.
2	After the module completes self-test, the Module OK LED lights and remains lit. Then the Hub Manager status display shows: <code>Slot <slot-number> DECswitch 900EE up.</code>

NOTE

Refer to Appendix A, Problem Solving if the LEDs do not operate as described.

Task 4: Connect the Cables

Task 4: Connect the Cables

Depending on your network configuration requirements, connect the appropriate AUI cables and UTP/STP cables.

See your network manager if you are not sure which cables to connect.

NOTE

All cables should be installed, tested, and tagged at the site, prior to this installation.

To	Go to
Connect AUI cables	2-11
Connect UTP/STP cables	2-12

After all cables are installed, go to Chapter 5, Configuring the Module in a DEChub 900.

Task 4 (Cont.): Connect the AUI Cable

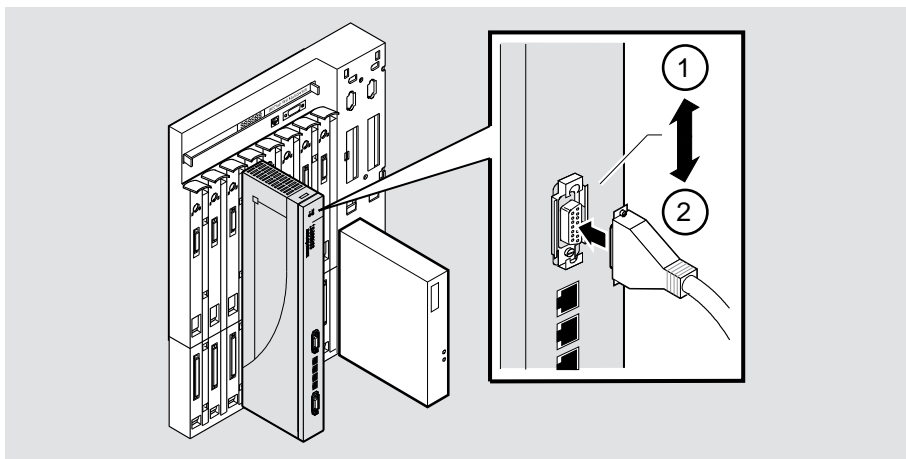
To connect the AUI cable, complete the following steps (see Figure 2-5).

Step	Action
1	Remove the loopback plug (if present) from the module's AUI connector and from the AUI cable plug.
2	Push the module's AUI connector slide latch up (1) to the unlocked position.
3	Insert the AUI cable plug into the AUI connector.
4	Push the module's AUI connector slide latch down (2) to the locked position.

NOTE

To disconnect the cables, push the connector slide latch up, then pull out the connector.

Figure 2-5: AUI Cable Connection



NPG-0116-95F

Task 4: Connect the Cables

Task 4 (Cont.): Connecting the UTP/STP Cable

The DECswitch 900EE Router module uses straight-through 10BaseT (8-pin MJ) port connectors. Select the appropriate UTP/STP cable type (crossover or straight-through) to ensure that the module's transmit/receive signals connect correctly to the transmitter/receiver of the connected device.

Before connecting the cables to the module, note the following rules:

If the device you are connecting the module to is a	Then use
DTE (data terminal equipment) device	Crossover cables
DCE (data circuit-terminating equipment) device	Straight-through cables

NOTES

Digital's straight-through cables are marked (=); crossover connectors (and cables) are marked (X).

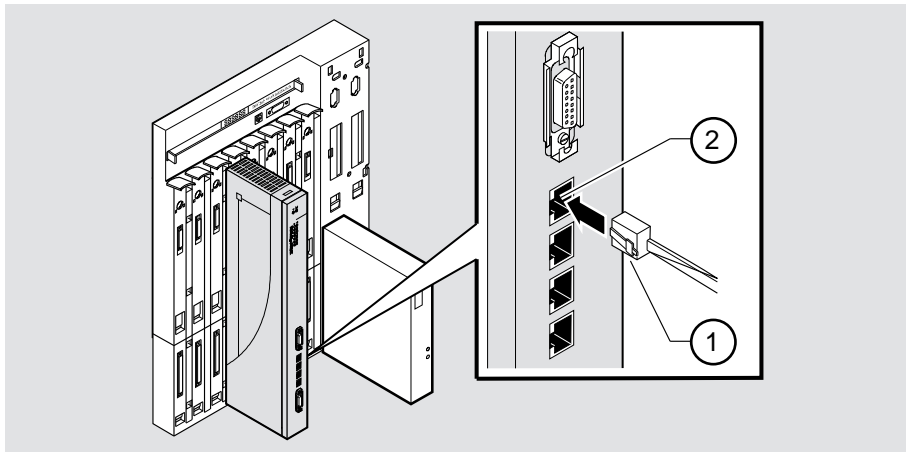
If you need help determining the appropriate cable type to use, refer to Appendix B, Connector and Pin Assignments.

Task 4: Connect the Cables

To connect the UTP/STP cables, complete the following steps (see Figure 2-6).

Step	Action
1	Align the release tab on the cable plug (1) with the keyway on the module's 10BaseT port connector.
2	Insert the plug into the connector (2), ensuring that the release tab snaps into the locked position.

Figure 2-6: UTP/STP Cable Connection



NPG-0117-95F

Chapter 3

Installing the Setup Port Cable

Overview

Introduction

This chapter describes how to connect the DECswitch 900EE Router module to the setup port on a DEChub 900 MultiSwitch or a DEChub ONE docking station.

In this chapter

Topic	Page
Signaling Standards	3-2
Setup Port Device Cabling	3-3
Connecting the Setup Port	3-4

Signaling Standards

Signaling Standards

Signals from the DEChub 900 Hub setup port and from the DEChub ONE docking station setup port conform to the EIA-232D signaling standard at 9600 baud. To the user, the port appears as a data terminal equipment (DTE) device.

Setup Port Device Cabling

The setup port (see Figure 3-1) on the DEChub 900 MultiSwitch or the DEChub ONE docking station can be connected to a setup port device (a terminal or personal computer), using the following cables and adapters:

If the setup port device is	Use this cable	With this adapter
PC with a 9-pin D-Sub communications port	BN24H-xx ¹	H8571-J
Terminal with a 25-pin D-Sub connector	BN24H-xx ¹	H8575-A
Terminal with a 6-pin MMJ connector	BN24H-xx ¹	Not required.

¹ xx indicates cable length in meters.

Connecting the Setup Port

Connecting the Setup Port

To connect the setup port on the DECswitch 900EE module, complete the following steps:

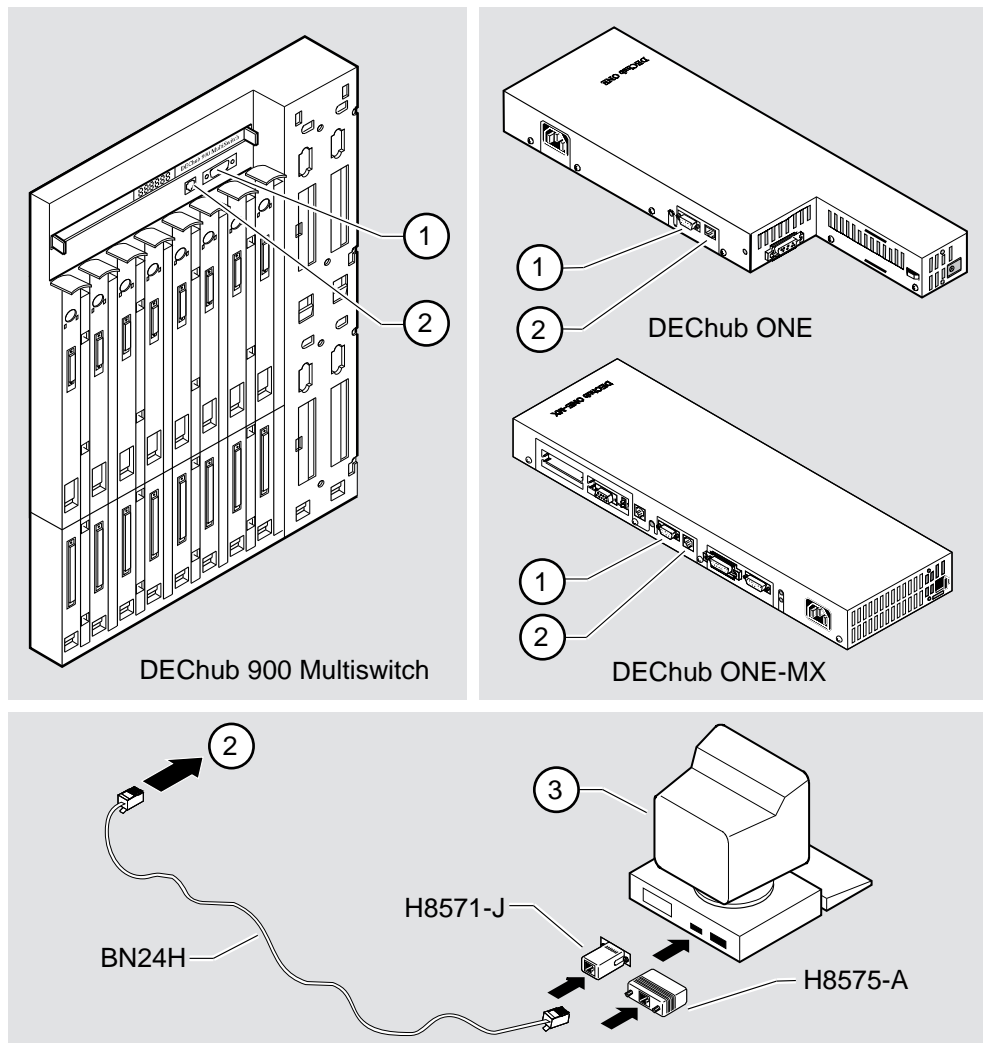
Step	Action
1	Ensure that the transmit and receive baud rates on the setup port device are set to the following values: Baud Rate: 9600 Data Bits: 8 Stop Bits: 1 Parity: None
2	Connect the setup port device to the setup port connector on either the DEChub 900 or the DEChub ONE docking station (see Figure 3-1).

The following legend identifies the setup port cabling.

Item	Description
1	OBM Port
2	Setup Port
3	Setup Port Device

Connecting the Setup Port

Figure 3-1: Device, Cable and Connector Identification



NPG-0020-95F

After all cables are connected, go to one of the following sections.

To	Go to
Configure the Router in a DEChub ONE	Chapter 4
Configure the Router in a DEChub 900	Chapter 5

Chapter 4

Configuring the Module in a Standalone Unit

Overview

Introduction

This chapter describes how to setup and configure your DECswitch 900EE Router when it is installed as a standalone unit.

In this chapter

Topic	Page
Accessing the Setup Port	4-2
Using Menus to Setup the Module	4-3

Accessing the Setup Port

To configure your module and make it remotely accessible you must assign:

- An IP address
- A subnet mask
- A default gateway
- An SNMP community string, if the module will be managed by the clearVISN MultiChassis Manager. See the *clearVISN Product Overview* for more information.

You can configure the module through either

- a Telnet session
- or
- the console configuration interface which is accessed by connecting a terminal to the console port on the module.

The setup port provides menus that allow you to access the DECswitch 900EE Router. These menus allow you to setup the module for basic connectivity. After the initial setup, you can configure the module software using a command-based interface. These commands can be accessed remotely via Telnet, or accessed locally through the setup port on a DEChub ONE docking station.

Examples of the setup screen displays are provided in this section to aid in the description of the setup port and to display the options that are available. Because they are examples only, the displays can vary slightly from the actual screen displays on your setup port device. Boldface type in the screen display examples indicates user input.

To access the setup menus, press the Return key on the setup port device until the DECswitch 900EE/MP INSTALLATION MENU appears. See Chapter 3, Installing the Setup Port Cable for information about connecting the setup port device.

To configure the module using	Go to the section titled
Menus	Using Menus to Setup the Module
Commands	Go To Local Console

Using Menus to Setup the Module

This section describes the options that are available from the DECswitch 900EE/MP INSTALLATION MENU when the module is installed in the DEChub ONE docking station.

When the module powers up, the EasyStart feature begins to run. See the *Distributed Routing Software* guides for more information. After the EasyStart feature has executed, the following menu appears if the module is setup with factory defaults, or if the module is configured for bridging and IP only.

```
DECswitch900EE/MP
=====
          DECswitch 900EE/MP INSTALLATION MENU

          [1] Restart with Factory Defaults
          [2] Restart with Current Settings
          [3] Show Current Settings
          [4] Configure IP . . .
          [5] Configure Out-of-Band Port ...
          [6] Go to Local Console

          =====
          Enter selection:
```

NOTE

The /MP that appears in menus will be replaced with /IP when using the IP-only package.

Using Menus to Setup the Module

If the module was previously configured, or it is configured for any non-IP protocol and without bridging, the following menu options are available.

```
DECswitch900EE/MP
=====
          DECswitch900EE/MP INSTALLATION MENU
*****
To fully manage this device telnet to one of the
following IP addresses or select item [3] below.
      Out-of-Band: Not Configured
      In-Band      : 12.34.55.126
*****
          [1] Restart with Factory Defaults
          [2] Restart with Current Settings
          [3] Go to Local Console
=====
          Enter selection :
```

NOTE

The Out-of-Band and In-Band values are listed only if one or more IP parameters have been set.

The following pages describe the standalone installation menu options.

Options	Page
[1] Restart with Factory Defaults	4-5
[2] Restart with Current Settings	4-6
[3] Show Current Settings	4-7
[4] Configure IP . . .	4-8
[5] Configure Out-of-Band Port . . .	4-13
Go To Local Console	4-15

[1] Restart with Factory Defaults

This option initializes the router configuration to factory default values by resetting the module's nonvolatile configuration storage parameters and then restarting the module. (To retain current values, use Option [2] Restart with Current Settings). Allow approximately one minute for the module to restart and complete self-test.

CAUTION

This action deletes all configured settings and replaces them with factory default values. All configuration settings will be lost.

The following example shows the dialog associated with this option.

```
Enter selection : 1
DECswitch900EE/MP
=====
                RESTART WITH FACTORY DEFAULTS
* * * * *
*           IMPORTANT!   IMPORTANT!   IMPORTANT!
* * * * *
* This selection will delete the current configuration
* settings and restart the system with the factory default*
* settings. All configuration settings will be lost.
* * * * *
=====
                Press Y to confirm [N]:
```

If you selected Y, then the following additional information appears:

```
About to Initialize CONFIG memory
Configuration memory initialized
System Restart ...
```

Then, the EasyStart rebooting feature becomes active. The EasyStart feature allows the module to boot up using existing configuration files. EasyStart messages may appear on the console device. See the *Distributed Routing Software* guides for more information about the EasyStart feature.

The DECswitch 900EE/MP INSTALLATION MENU menu appears.

[2] Restart with Current Settings

[2] Restart with Current Settings

This option restarts the module but leaves the module's configured nonvolatile configuration storage parameters at their current values. The module should restart in less than one minute.

The following example shows the dialog associated with this option.

```
Enter selection: 2
DECswitch900EE/MP
=====
          RESTART WITH CURRENT SETTINGS
This selection will restart your system with the current
configuration settings.
=====
          Press Y to confirm [N] : <Return>

          Press Return for Main Menu ...
```

If you select Y, then the DECswitch900EE/MP INSTALLATION MENU appears.

[3] Show Current Settings

This option shows the module's current settings. If the module is being configured for the first time, some of the fields will be blank.

The following example shows the dialog associated with this option.

```
Enter selection : 3
DECswitch900EE/MP
=====
DECswitch900EE/MP,MP Brouter:6 Enet      HW=v1/2,#1489,SW=v2.0.000
SysUpTime                               : 00:00:52  28 resets
SNMP Read/Write Community                 : whitney95
Out-of-Band (OBM) Management RTS         : Disabled
Default Gateway                           : 16.126.16.254
-----
Interface    IP Address    Subnet Mask    Other Info
Ethernet     16.126.16.116  255.255.255.0
-----
=====
Press Return for Main Menu ...
```

[4] Configure IP . . .

[4] Configure IP . . .

The IP Configuration option provides you with 5 selections.

The following example shows the dialog associated with this option.

```
Enter selection: 4
DECswitch900EE/MP
=====
                        IP CONFIGURATION
* * * * *
*Configuration will not take effect until module is *
*restarted. *
* * * * *
[1] Set SNMP Read/Write Community
[2] Set In-Band Interface IP Address
[3] Set Out-of-Band Interface IP Address
[4] Set Default Gateway
[5] Return to Main Menu
=====
Enter selection :
```

The following pages describe the standalone IP Configuration options.

Topic	Page
[1] Set SNMP Read/Write Community	4-9
[2] Set In-Band Interface IP Address	4-10
[3] Set Out-of-Band Interface IP Address	4-11
[4] Set Default Gateway	4-12

[4] Configure IP . . .

[1] Set SNMP Read/Write Community

This option prompts you to enter the module's SNMP read/write community name.

The following example shows the dialog associated with this option.

```
Enter selection: 1
DECswitch900EE/MP
=====
                SET SNMP READ/WRITE COMMUNITY
Format: The format for a community name is a string,
        consisting of 4 to 31 printable ASCII characters,
        that describes the relationship between an SNMP
        agent and one or more SNMP managers. The string
        defines the authentication mechanism that is employed
        to validate the use of the community by the sending
        SNMP entity.
=====
Enter the community string []:public <Return>

                SNMP Read/Write community string set.

Press Return for IP Configuration Menu . . .
```

[4] Configure IP . . .

[2] Set In-Band Interface IP Address

This option prompts you to change or enter the IP address and subnet mask for the in-band interface. You can only configure one in-band interface at a time. The module does not need to be configured with a subnet mask for SNMP and Telnet communications with management stations located on the same subnet as the module.

The format for these values is the standard 4-octet dotted decimal notation, in which each octet of the address is represented as a decimal value, separated by a decimal point (.).

The following example shows the dialog associated with this option.

```
Enter selection: 2
DECswitch900EE/MP
=====
                IN-BAND INTERFACE IP ADDRESS CONFIGURATION
Format: The standard 4 octet dotted decimal notation in which
        each octet of the address is represented as a decimal
        value, separated by a '.' character.
        example: 16.20.40.156
To delete the address, enter 0 in the appropriate address
        field.
-----
Interface      IP Address      Subnet Mask      Other Info
Ethernet
-----
                Port Number (1-6) [ ]: 2
Enter the IP address [ ]: 16.126.16.116 <Return>
Enter the Subnet Mask [255.0.0.0] : 255.255.255.0 <Return>
Press Return for IP Configuration Menu ...
```


[4] Configure IP . . .

[3] Set Out-of-Band Interface IP Address

This option prompts you to change or enter the IP address and subnet mask for the out-of-band interface.

This feature allows you to manage your module through the OBM port located on the DEChub ONE docking station as an alternative to normal in-band management. To enable out-of-band management, you need to assign an OBM IP address and select an OBM port speed from the DECswitch 900EE/MP INSTALLATION MENU.

The module does not need to be configured with a subnet mask for SNMP and Telnet communications with management stations located on the same subnet as the module.

The following example shows the dialog associated with this option.

```
Enter selection: 3
DECswitch900EE/MP
=====
OUT-OF-BAND INTERFACE IP ADDRESS CONFIGURATION
Format: The standard 4 octet dotted decimal notation in which
each octet of the address is represented as a decimal
value, separated by a '.' character.

example: 16.20.40.156

To delete the address, enter 0 in the appropriate address
field.
-----
Interface      IP Address      Subnet Mask      Other Info
-----
Enter the IP address [ ]: 16.126.16.114 <Return>
Enter the Subnet Mask [ ] : 255.255.0.0 <Return>
Press Return for IP Configuration Menu ...
```

[4] Configure IP . . .

[4] Set Default Gateway

This option sets the default gateway address, if necessary, for the in-band interface. This is the address of a router that the module will use when communicating with a remote host. The default gateway address must be an address in the same subnet as your in-band address.

The following example shows the dialog associated with this option.

```
Enter selection : 4
DECswitch900EE/MP
=====
      SET IN-BAND INTERFACE DEFAULT GATEWAY ADDRESS
Format: The standard 4 octet dotted decimal notation in which
      each octet of the address is represented as a decimal
      value, separated by a '.' character.

      example: 16.20.40.156

      To delete the address, enter 0 in the appropriate address
      field.
=====
Default Gateway [ ] : 16.126.16.254 <Return>

      Default Gateway Address Set.

      Press Return for IP Configuration Menu ...
```

[5] Configure Out-of-Band Port . . .

This option lets you set the out-of-band port speed.

NOTE

The port speeds at both ends of the communications link must be identical.

The following example shows the dialog associated with this option.

```
Enter selection: 5
DECswitch900EE/MP
=====
OUT-OF-BAND PORT CONFIGURATION
* * * * *
*Configuration will not take effect until module is *
*restarted. *
* * * * *
[1] Set Port Speed
[2] Return to Main Menu
=====
Enter selection :
```

The following pages describe out-of-band configuration options.

Option	Page
[1] Set Port Speed	4-14

[5] Configure Out-of-Band Port . . .

[1] Set Port Speed

This option lets you select the out-of-band port speed. The factory default for this option is 9600 baud. The OBM port speed that you select must match the speed of your OBM device.

The following example shows the dialog associated with this option.

```
Enter selection: 1
DECswitch900EE/MP
=====
          SET OUT-OF-BAND MANAGEMENT INTERFACE PORT SPEED
          [1] 2400 baud
          [2] 9600 baud
          [3] 38400 baud
=====
Enter selection [2] (9600): 1 <Return>
          OBM port speed set...
          Press Return for Main Menu ...
```

Go To Local Console

This option lets you configure the module. You must configure the module before it is operational. The `Go to Local Console` option provides two different configuration methods, depending on whether the module has been setup with factory defaults or has been previously configured.

If the module has been setup with factory defaults, or is configured for bridging and for IP-only operation, then this is option [6] `Go to Local Console` from the `DECswitch900EE/MP INSTALLATION MENU`. This option runs a quick configuration interactive question and answer dialog. This method (`qconfig`) allows fast configuration of interfaces, basic bridging, and IP configuration.

If the module has been previously configured, or is configured with a non-IP protocol and with no bridging, then this is option [3] `Go to Local Console` from the installation menu. This option allows you to configure the module using commands to configure interfaces, bridging, and routing protocol.

[6] Go To Local Console (Qconfig)

This selection runs quick configuration. If you reset to factory defaults and select `Go to Local Console` without having configured the router via the installation menu, you automatically enter **qconfig**.

After making the changes you want, you can exit quick configuration and accept the changes you made by typing: **quit**. The system displays the following messages:

```
Quick Config Done
Config (only)>
Type RESTART at Config (only)> prompt for the configuration
take effect.
```

If you type `RESTART` at the `Config (only)>` prompt, the following message appears:

```
Are you sure you want to restart the gateway? (Yes [No]):
```

Enter **yes** to proceed. The `DECswitch 900EE/MP Installation Menu` is then displayed.

Go To Local Console

[3] Go To Local Console (Commands)

If you have configured the module, then the following installation menu appears. Select [3] Go To Local Console to modify the configuration or to monitor the module.

```
DECswitch900EE/MP
=====
                DECswitch900EE/MP INSTALLATION MENU
* * * * *
* To fully manage this router Telnet to one of its *
* IP addresses or select item [3] below. *
* * * * *
                [1] Restart with Factory Defaults
                [2] Restart with Current Settings
                [3] Go to Local Console
=====
Enter selection number: 3 <Return>
```

The system displays copyright statements and the following prompt:

```
MOS Operator Control
*
```

See Chapter 6, Configuration Commands for information on configuring Ethernet, OBM and VLAN interfaces. See Chapter 7, Monitoring Commands for information about monitoring these interfaces.

Chapter 5

Configuring the Module in a DEChub 900

Overview

Introduction

This chapter describes how to configure your DECswitch 900EE Router when it resides in a DEChub 900 MultiSwitch.

In this chapter

Topic	Page
Accessing the Setup Port	5-2
DEChub 900 MultiSwitch Installation Menu	5-4
Using Menus to Setup the Module	5-6

Accessing the Setup Port

The basic steps you must follow to configure your module and make it remotely accessible are to assign:

- An IP address
- A subnet mask
- A default gateway
- An SNMP community string, if the module will be managed by the clearVISN MultiChassis Manager. See the *clearVISN Product Overview* for more information.

You can configure the module through either

- a Telnet session
- or
- the console configuration interface which is accessed by connecting a terminal to the console port on the hub, then redirecting to the module.

The setup port provides menus that allow you to access the DECswitch 900EE Router. These menus allow you to setup the module for basic connectivity. After the initial setup, you can configure the module software using a command-based interface. These commands can be accessed remotely via Telnet, or accessed locally through the setup port.

NOTE

You must restart the module in order for the configuration changes to take effect. The hub will close the connection to the selected slot after restart, but you can resume communication with the desired slot after redirection.

Accessing the Setup Port

To perform a Telnet session, you must assign an IP address. To do this, perform the following steps:

Step	Action
1	Install the module into a slot on the DEChub 900 MultiSwitch.
2	Redirect the DEChub 900 Multiswitch Hub manager setup port to the DECswitch 900EE slot.
3	Select the IP configuration option from the menu.
4	Set the in-band IP address.
5	Set the subnet mask and default gateway.
6	Return to the DEChub 900 MultiSwitch Installation Menu and select Restart with Current Settings.
7	Perform a Telnet session into the module from the management station for further configuration.

Examples of the setup screen displays are provided in this section to aid in the description of the setup port and to display the options that are available. Because they are examples only, the displays can vary slightly from the actual screen displays on your setup port device. Boldface type in the screen display examples indicates user input.

To access the setup menus, press the Return key on the setup port device until the DECswitch 900EE/MP INSTALLATION MENU appears.

To configure the module using	Go to the section titled
Menus	Using Menus to Setup the Module
Commands	Go to Local Console

DEChub 900 MultiSwitch Installation Menu

The following screen is an example of the DEChub 900 MultiSwitch INSTALLATION MENU.

To access the module's set up screen, you must choose option [9] Start Redirect Mode.

```
DEChub 900 MultiSwitch
=====
DEChub 900 MultiSwitch INSTALLATION MENU
[1] Reset with Factory Defaults
[2] Reset with Current Settings
[3] Show Current Settings
[4] Configure IP...
[5] Dump Error Log
[6] Downline Upgrade
[7] Configure Out-of-Band Port...
[8] Start Event Display Mode
[9] Start Redirect Mode...
[10] Module-Specific Options...
=====
Enter selection number: 9 <Return>
```

DEChub 900 MultiSwitch Installation Menu

[9] Start Redirect Mode

The `Start Redirect Mode` option redirects the DEChub 900 MultiSwitch Hub Manager set-up port to the set-up port of any network module (such as the DECswitch 900EE Router) that is installed into the DEChub 900 MultiSwitch. Choosing this option allows you to setup or obtain the status of an installed network module by accessing the specified network module's installation menu.

After you choose the `Start Redirect Mode` option from the `DECswitch 900EE/MP INSTALLATION MENU`, the screen display prompts you for a slot number (8) as shown in the following example. After you enter the number of the slot in which the DECswitch 900EE Router is installed, the console is redirected to this slot.

NOTE

The slot number may change to reflect the slot number in which your module is installed.

The following example shows the dialog associated with this option.

```
Enter selection: 9
=====
Enter the slot number for redirection (1-8): 8 <Return>
Console redirected to 8: DECswitch900EE/MP
Attempting connection
[Ctrl/C] Return to Hub Manager Installation Menu
```

If the redirection is successful after you press the Return key, the `DECswitch 900EE/MP INSTALLATION MENU` appears on your screen. Go to [Using Menus to Setup the Module](#) on page 5-6.

Using Menus to Setup the Module

This section describes the options that are available from the DECswitch 900EE/MP INSTALLATION MENU when the module is installed in the DEChub 900 MultiSwitch.

NOTE

The /MP that appears in menus will be replaced with /IP when using the Internet Protocol package.

The following example shows the menu options available when the module is setup with factory defaults.

```
DECswitch900EE/MP - slot 8
=====
          DECswitch 900EE/MP INSTALLATION MENU

          [1] Restart with Factory Defaults
          [2] Restart with Current Settings
          [3] Show Current Settings
          [4] IP Configuration
          [5] Go to Local Console

          [Ctrl/C] Return to Hub Manager Installation Menu
          =====
          Enter selection :
```

Using Menus to Setup the Module

If the module was previously configured, the following example shows the dialog associated with this option.

```
DECswitch900EE/MP - slot 8
=====
          DECswitch 900EE/MP INSTALLATION MENU
* * * * *
* To fully manage this router telnet to one of the      *
* following IP addresses or select item [3] below.      *
* Out-of-Band: Not Configured                          *
* In-Band      : 13.24.1.254                            *
* * * * *
          [1] Restart with Factory Defaults
          [2] Restart with Current Settings
          [3] Go to Local Console
[Ctrl/C] Return to Hub Manager Installation Menu
=====
Enter selection:
```

NOTE

The Out-of-Band and In-Band values are listed only if one or more IP parameters have been set.

The following pages describe the installation menu options.

Options	Page
[1] Restart with Factory Defaults	5-8
[2] Restart with Current Settings	5-9
[3] Show Current Settings	5-10
[4] IP Configuration	5-11
Go to Local Console	5-16

[1] Restart with Factory Defaults

[1] Restart with Factory Defaults

This option restarts the module, causing the module's configured nonvolatile configuration storage parameters to be initialized to factory default values. (To retain current values, use option [2] Restart with Current Settings.) Allow approximately one minute for the module to restart and complete self-test.

CAUTION

This action deletes all configured settings and replaces them with factory default values. All configuration settings will be lost.

The following example shows the dialog associated with this option.

```
Enter selection : 1
DECswitch900EE/MP - slot 8
=====
                RESTART WITH FACTORY DEFAULTS
* * * * *
*          IMPORTANT!   IMPORTANT!   IMPORTANT!
* * * * *
* This selection will delete the current configuration
* settings and restart the system with the factory default*
* settings. All configuration settings will be lost.
* * * * *
=====
                Press Y to confirm [N]:  <Return>
                Press Return for Main Menu ...
```

If you selected Y, then the following messages appear:

```
Module Not Responding! Connection Closed!
Press Return for Main Menu...
```

The DEChub 900 MultiSwitch INSTALLATION MENU appears. Redirect to the module in order to resume communication.

The DECswitch900EE/MP INSTALLATION MENU appears.

[2] Restart with Current Settings

This option restarts the module but leaves the module's configured nonvolatile configuration storage parameters at their current values.

NOTE

Allow approximately 1 minute for the module to Restart.

The following example shows the dialog associated with this option.

```
Enter selection: 2
DECswitch900EE/MP - slot 8
=====
          RESTART WITH CURRENT SETTINGS
This selection will restart your system with the current
configuration settings.
=====
Press Y to confirm [N] : Y <Return>
Module Not Responding! Connection Closed!

Press Return for Main Menu ...
```

The DEChub 900 MultiSwitch INSTALLATION MENU appears. Redirect to the module in order to resume communication.

[3] Show Current Settings

[3] Show Current Settings

This option shows the module's current settings. If the module is being configured for the first time, some of the fields will be blank.

The following example shows the dialog associated with this option.

```
Enter selection : 3
DECswitch900EE/MP - slot 8
=====
DECswitch900EE/MP,MP Brouter:6 Enet      HW=v1/2,#1489,SW=v2.0.000
SysUpTime                               : 00:00:52 28 resets
SNMP Read/Write Community                : thepublic
Out-of-Band Management RTS               : Disabled
Default Gateway                          : 16.126.16.254
-----
Interface      IP Address      Subnet Mask      Other Info
Ethernet       16.126.16.116   255.255.255.0
Out-of-Band    16.126.16.114           Not Configured
=====
Press Return for Main Menu ...
```

[4] IP Configuration

The IP Configuration option provides you with 5 selections.

The following example shows the dialog associated with this option.

```
Enter selection: 4
DECswitch900EE/MP - slot 8
=====
                        IP CONFIGURATION
* * * * *
*Configuration will not take effect until module is *
*restarted. *
* * * * *
                [1] Set SNMP Read/Write Community
                [2] Set In-Band Interface IP Address
                [3] Set Out-of-Band Interface IP Address
                [4] Set Default Gateway
                [5] Return to Main Menu
=====
Enter selection :
```

The following pages describe IP Configuration options.

Option	Page
[1] Set SNMP Read/Write Community	5-12
[2] Set In-Band Interface IP Address	5-13
[3] Set Out-of-Band Interface IP Address	5-14
[4] Set Default Gateway	5-15

[4] IP Configuration

[1] Set SNMP Read/Write Community

This option prompts you to enter the module's read/write community name.

The following example shows the dialog associated with this option.

```
Enter selection: 1
DECswitch900EE/MP - slot 8
=====
                SET SNMP READ/WRITE COMMUNITY
Format: The format for a community name is a string,
        consisting of 4 to 31 printable ASCII characters,
        that describes the relationship between an SNMP
        agent and one or more SNMP managers. The string
        defines the authentication mechanism that is employed
        to validate the use of the community by the sending
        SNMP entity.
=====
Enter the community string []:public <Return>

                SNMP Read/Write community string set.

Press Return for IP Configuration Menu ...
```

[2] Set In-Band Interface IP Address

This option prompts you to change or enter the IP address and subnet mask for the in-band interface. The module does not need to be configured with a subnet mask for SNMP communications with management stations located on the same subnet as the module.

The format for these values is the standard 4-octet dotted decimal notation, where each octet of the address is represented as a decimal value, separated by a decimal point (.).

The following example shows the dialog associated with this option.

```

Enter selection: 2
DECswitch900EE/MP - slot 8
=====
                IN-BAND INTERFACE IP ADDRESS CONFIGURATION
Format: The standard 4 octet dotted decimal notation in which
        each octet of the address is represented as a decimal
        value, separated by a '.' character.
        example: 16.20.40.156
To delete the address, enter 0 in the appropriate address
        field.
-----
Interface      IP Address      Subnet Mask      Other Info
FDDI
Out-of-Band
-----
                Port Number (1-6) [ ]: 2
Enter the IP address [ ]: 16.126.16.116 <Return>
Enter the Subnet Mask [255.0.0.0] : 255.255.255.0 <Return>
Press Return for IP Configuration Menu ...

```

[4] IP Configuration

[3] Set Out-of-Band Interface IP Address

This option prompts you to change or enter the IP address and subnet mask for the out-of-band interface. The module does not need to be configured with a subnet mask for SNMP communications with management stations located on the same subnet as the module.

The format for these values is the standard 4-octet dotted decimal notation, where each octet of the address is represented as a decimal value, separated by a decimal point (.).

The following example shows the dialog associated with this option.

```
Enter selection: 3
DECswitch900EE/MP
=====
OUT-OF-BAND INTERFACE IP ADDRESS CONFIGURATION
Format: The standard 4 octet dotted decimal notation in which
each octet of the address is represented as a decimal
value, separated by a '.' character.

example: 16.20.40.156

To delete the address, enter 0 in the appropriate address
field.
-----
Interface      IP Address      Subnet Mask      Other Info
Ethernet       16.126.16.116   255.255.255.0
Out-Of-Band_
=====
Enter the IP address [ ]: 16.126.16.114 <Return>
Enter the Subnet Mask [ ]: 255.255.0.0 <Return>
Press Return for IP Configuration Menu ...
```

[4] Set Default Gateway

This option sets the default gateway, if necessary. This is the address of a router that the module will use when communicating to a remote host. The default gateway address must be in the same subnet as your in-band address.

The following example shows the dialog associated with this option.

```
Enter selection : 4
DECswitch900EE/MP - slot 8
=====
      SET IN-BAND INTERFACE DEFAULT GATEWAY ADDRESS
Format: The standard 4 octet dotted decimal notation in which
      each octet of the address is represented as a decimal
      value, separated by a '.' character.

      example: 16.20.40.156

      To delete the address, enter 0 in the appropriate address
      field.
=====
Default Gateway [] : 16.126.16.254 <Return>

      Default Gateway Address Set.

      Press Return for IP Configuration Menu ...
```

Go to Local Console

Go to Local Console

This option lets you configure the module. You must configure the module before it is operational. The `Go to Local Console` option provides two different configuration methods, depending on whether the module has been setup with factory defaults or has been previously configured.

If the module has been setup with factory defaults, then this is option [5] `Go to Local Console` from the `DECswitch900EE/MP INSTALLATION MENU`. This option runs a quick configuration interactive question and answer dialog. This method (`qconfig`) allows fast configuration of interfaces, basic bridging, and IP configuration.

If the module has been previously configured, then this is option [3] `Go to Local Console` from the installation menu. This option allows you to configure the module using commands to configure interfaces, bridging, and routing protocol.

NOTE

You must restart the module in order for the configuration changes to take effect. The hub will close the connection to the selected slot after restart, but you can resume communication with the desired slot after redirection.

Go to Local Console

[5] Go To Local Console (Qconfig)

This selection runs quick configuration. If you reset to factory defaults and select Go to Local Console without having configured the router via the installation menu, you automatically enter **qconfig**.

After making the changes you want, you can exit quick configuration and accept the changes you made by typing: **quit**. The system displays the following messages:

```
Quick Config Done
Config (only)>
Type RESTART at Config (only)> prompt for the
configuration to take effect
```

If you type RESTART at the Config (only)> prompt, the following message appears:

```
Are you sure you want to restart the gateway? (Yes [No]):
```

Enter **yes** to proceed. The following messages appear::

```
Module Not Responding! Connection Closed!
Press Return for Main Menu...
```

The DEChub 900 MultiSwitch INSTALLATION MENU appears. Redirect to the module in order to resume communication. The following menu will be displayed.

```
DECswitch900EE/MP - slot 8
=====
DECswitch 900EE/MP INSTALLATION MENU
* * * * *
* To fully manage this router telnet to one of the *
* following IP addresses or select item [3] below. *
* Out-of-Band: Not Configured *
* In-Band : 13.24.1.254 *
* * * * *
[1] Restart with Factory Defaults
[2] Restart with Current Settings
[3] Go to Local Console
[Ctrl/C] Return to the Hub Manager Installation Menu
=====
Enter selection number:
```

Go to Local Console

[3] Go To Local Console (Commands)

If you have configured the module, then the following installation menu appears. Select [3] Go To Local Console to modify the configuration or to monitor the module.

```
DECswitch900EE/MP - slot 8
=====
                DECswitch 900EE/MP INSTALLATION MENU
* * * * *
* To fully manage this router telnet to one of the      *
* following IP addresses or select item [3] below.      *
* Out-of-Band: Not Configured                          *
* In-Band: 13.24.1.254                                 *
* * * * *
                [1] Restart with Factory Defaults
                [2] Restart with Current Settings
                [3] Go to Local Console
                [Ctrl/C] Return to the Hub Manager Installation Menu
=====
Enter selection number: 3 <Return>
```

The system displays copyright statements and the following prompt:

```
MOS Operator Control
*
```

See Chapter 6, Configuration Commands for information on configuring Ethernet, OBM and VLAN interfaces. See Chapter 7, Monitoring Commands for information about monitoring these interfaces.

Chapter 6

Configuration Commands

Overview

Introduction

After you have installed the DECswitch 900EE Router, you will need to configure the following.

- Ethernet Port
- OBM Port
- VLAN Interfaces

The instructions provided in this chapter describe how to setup and configure these ports and interfaces. For more information about configuration commands, see the *Network Interface Operations Guide*.

In this chapter

Topic	Page
Accessing Configuration Commands	6-2
Configuring Ethernet Port Connection	6-3
Configuring OBM Port	6-4
Configuring Virtual LANs	6-5

Accessing Configuration Commands

This section describes configuration commands that are unique to the DECswitch 900EE Router. To begin configuring the module, at the * prompt enter the following command:

* **talk 6**

To configure the module using CONFIG commands, refer to the following sections.

Option	Page
Configuring Ethernet Port Connection	6-3
Configuring OBM Port	6-4
Configuring Virtual LANs	6-5

To Exit and Restart

When you modify parameters, you must restart the module for the change to take effect. Enter the following commands in the order shown:

At the prompt	Enter the Command
ETH Config> or VLAN Config> or VI Config>	exit to return to the Config> prompt, or control/p to return to the * prompt
Config>	control/p
*	restart

If you need to configure additional software, refer to the *Distributed Routing Software* guides.

Configuring Ethernet Port Connection

You can configure Ethernet port 4 only if the module is configured in a DEChub ONE. To configure Ethernet Port 4 for front (connector on the front of the module) or back (connector on the DEChub ONE) connection, perform the following steps when prompted:.

Step	Action
1	Config> net 4
2	ETH Config> connect front or connect back

Configuring OBM Port

You can configure the OBM port only if the module is configured in a DEChub ONE. To set the OBM IP address and speed perform the following steps when prompted:

Step	Action
1	Config> set obm ip
2	OBM address: [0.0.0.0]? 16.40.156.20 This is the out-of-band management port IP address. The default is the current IP address.
3	Config> set obm speed
4	OBM Speed [2400, 9600, 38400] [9600]? 38400 This sets the OBM port speed. The default is 9600 baud.

Configuring Virtual LANs

To create a virtual LAN, you must complete the following tasks:

- 1) Create a VLAN, providing a name and a list of bridge ports that will be included in the VLAN. A virtual interface (VI) number and a VLAN number are assigned to the VLAN. You can create up to 7 VLANs, which are assigned VI numbers 7-13. Ports that are not explicitly assigned to a VLAN belong to a “default” VLAN named Unconfigured.
- 2) Assign a frame type to the VLAN interface.
- 3) If a port that is included in a VLAN uses IPX, then you must specify the port’s frame encapsulation type as part of its IPX configuration.

This section contains the following topics:

Topic	Page
Creating, Deleting, and Modifying VLANs	6-6
Assigning Frame Types to VLANs	6-9
Assigning IPX Encapsulation to VLAN Ports	6-10

Configuring Virtual LANs

Creating, Deleting, and Modifying VLANs

This section describes how to create, delete, and modify the Virtual LANs. The maximum number of VLANs is 7. The maximum number of ports is 7. To configure the virtual LAN interface, perform the following steps when prompted:

Step	Action
1	Config> protocol asrt
2	ASRT config> vlan
3	VLAN config> ? or create or delete or modify or list or exit.

For information and examples for these commands, see the following sections.

Command	Page
? (Help)	6-7
Create	6-7
Delete	6-7
Modify	6-8
List	6-8

? (Help)

Use ? to obtain a list of available commands. You can also type ? after specific command names to obtain a listing of the options available for that command.

Example

```
?
create vlan Math_dept ?
```

Create

The Create command builds a VLAN by assigning to it a name and a list of bridge ports. A number is assigned to a newly-created VLAN. You can specify a VLAN either by its name or its number.

A virtual interface (VI) number is assigned to every VLAN, and specifies the interface that is associated with the VLAN. Both the VLAN number and the VI number appear in a confirmation message that is sent when you create a VLAN. To get a list of VLAN numbers, use the **list** command.

Syntax

```
create vlan name [ports] port-list
```

name must be a maximum of 32 ASCII characters, including at least one alphabetic character. VLAN names must be unique.

port-list is a list of bridge ports that you want to include in the VLAN. You must specify valid bridge ports. To add bridge ports, return to the ASRT `Config>` prompt and use the add port command. If you delete a bridge port that is in a VLAN, it is removed from the VLAN. Ports can be specified in the following ways:

```
1-6
1,2,3,4
1
```

Example

```
create vlan Math_dept ports 1-3
VLAN 3 created (VI number 8)
```

Example

```
create vlan Eng_dept 6, 7
VLAN 4 created (VI number 9)
```

Delete

Use the Delete command to delete a VLAN, specifying either its name or number. Deleting a VLAN does not affect the VLAN number or VI number assignments of the remaining VLANs. Use the **list all** command to view all VLANs.

Syntax

```
delete vlan number | name
```

Configuring Virtual LANs

Example **delete vlan Math_dept**
VLAN 3 deleted (VI number 8)

Example **delete vlan 4**
VLAN 4 deleted (VI number 9)

Modify

The Modify command modifies a VLAN's name and port list. Specify the VLAN either by its name or number.

Syntax **modify vlan *number* / *name new-name new-port-list***

new-name must be a maximum of 32 ASCII characters, including at least one alphabetic character. VLAN names must be unique. If you do not want to change the VLAN name, specify the original name.

new-port-list is a list of bridge ports that you want to include in the VLAN. You must specify valid bridge ports. To add bridge ports, return to the ASRT `Config>` prompt and use the add port command. If you delete a bridge port that is in a VLAN, it is removed from the VLAN. If you do not want to change the list of ports, do not specify a new list. Ports can be specified in the following ways:

1-6
1,2,3,4
1

Example **modify vlan Eng_dept Eng_dept 5, 6**
VLAN 4 modified (VI number 9)

Example **modify vlan 4 Eng_dept 3**
VLAN 4 modified (VI number 9)

List

List displays all information about existing VLANs. Specify the VLAN you want to display, or else list them all. If you have not assigned all ports to a VLAN, the unassigned ports will appear as part of a VLAN named Unconfigured.

Syntax **list vlan *name* / *number* / *all***

Example **list vlan Sci_dept**

#	Name	Ports	VI Number
4	Sci_dept	3, 4	9

Example list vlan 4

#	Name	Ports	VI Number
4	Sci_dept	3,4	9

Example list vlan all

#	Name	Ports	VI Number
1	Unconfigured	1, 2, 5, 6	
4	Sci_dept	3,4	9

Assigning Frame Types to VLANs

You must assign a frame type to each VLAN interface that you create. To assign a frame type to a VLAN, perform the following steps when prompted:

Step	Action
1	Config> net <i>vlan-interface-number</i> Where <i>vlan-interface-number</i> is a valid VLAN number from 7-13.
2	VI config> frame <i>frame-type</i> Table 6-1 describes the frame types available.

Table 6-1: Frame Encapsulation Types

Frame Type	Description	Use If VLAN Contains....
ETHERNET_II	Uses Ethernet type 8137 as the packet format. This format is required if you are using NetWare-VMS on the Ethernet.	Ethernet ports only.
ETHERNET_8023	Uses an IEEE 802.3 packet format without the 802.2 header. Ethernet 802.3 does not conform to the IEEE 802. standards because it does not include an 802.2 header. It may cause problems with other nodes on the network.	Ethernet ports only.
ETHERNET_8022	Packet format includes an 802.2 header.	Ethernet ports only.

Configuring Virtual LANs

Frame Type	Description	Use If VLAN Contains....
ETHERNET_SNAP	Uses the 802.2 format with a SNAP header. This encapsulation type is meant to be compatible with token ring SNAP encapsulation. However, it violates IEEE standards and is not interoperable across conformant bridges.	Ethernet ports only.

Assigning IPX Encapsulation to VLAN Ports

If a VLAN port is configured for IPX, its frame encapsulation type must be specified. The frame type values are the same as for the frame types that you assign to VLANs. Note that ports must have the same frame type in order to communicate. To assign a frame encapsulation type to VLAN ports that use IPX, perform the following steps when prompted:

Step	Action
1	Config> protocol ipx
2	IPX config> frame <i>frame-type</i> Table 6-1 describes the frame types available.
3	Which interface?> <i>interface-number</i> Where <i>interface-number</i> is a valid number from 1-13: 1-6 are the Ethernet ports, and 7-13 are the VI ports.

Chapter 7

Monitoring Commands

Overview

Introduction

This chapter describes commands used to monitor your DECswitch 900EE Router when it is installed in either a standalone unit DEChub ONE docking station or a DEChub 900 MultiSwitch. You should only use this chapter if the module has been previously configured.

In this chapter

Topic	Page
Accessing Monitoring Commands	7-2
Listing All Interfaces	7-3
Monitoring Ethernet Port Connection	7-4
Monitoring Virtual Interfaces	7-5

Accessing Monitoring Commands

This section describes monitoring commands that are unique to the DECswitch 900EE Router. To monitor the module, begin at the * prompt by entering the following command:

* **talk 5**

The monitor (+) prompt appears. To monitor the specific connections or interfaces, refer to the following sections.

Option	Page
Listing All Interfaces	7-3
Monitoring Ethernet Port Connection	7-4
Monitoring Virtual Interfaces	7-5

Other monitoring commands that are used in the DECswitch 900EE Router can be found in the *Network Interface Operating Guide*.

To Exit Monitor Mode

To exit monitor mode and return to the * prompt, type **control/p** at the + prompt.

Listing All Interfaces

To get a list of all interfaces (maximum of 13) in the module, perform the following step when prompted:.

Step	Action
1	+ int

A list of interfaces and their type (Ethernet or virtual LAN) appears. The listing includes information about the number of self-tests and maintenance tests each interface has passed or failed.

Nt	Nt'	Interface	CSR	Vec	Self-Test		Maintenance
					Passed	Failed	Failed
1	1	Eth/0	0	0	0	6	0
2	2	Eth/1	0	0	0	6	0
3	3	Eth/2	0	0	0	6	0
4	4	Eth/3	0	0	0	6	0
5	5	Eth/4	0	0	0	6	0
6	6	Eth/5	0	0	0	6	0
7	7	VIRT/0	0	0	0	0	0
8	8	VIRT/1	0	0	0	0	0
9	9	VIRT/2	0	0	0	0	0
10	10	VIRT/3	0	0	0	0	0
11	11	VIRT/4	0	0	0	0	0
12	12	VIRT/5	0	0	0	0	0
13	13	VIRT/6	0	0	0	0	0

Monitoring Ethernet Port Connection

To monitor an Ethernet port connection, perform the following step when prompted:

Step	Action
1	+ int <i>ethernet-interface-number</i> Where <i>ethernet-interface-number</i> is one of the valid Ethernet interfaces 1 - 6.

The following example shows a typical Ethernet configuration.

```
+ int 2

          Self-Test      Self-Test  Maintenance
Nt  Nt' Interface  CSR  Vec   Passed      Failed      Failed
2   2   Eth/1      0    0     0           0           0

  Ethernet/IEEE 802.3 MAX/data-link on Ethernet interface

Physical address: 08002BA34AC2
PROM address:    08002BA34AC2

Input statistics:
  failed, frame too long      0   failed, FCS error      0
  failed, alignment error    0   failed, FIFO overrun  0
  internal MAC rcv error     0   packets missed        0

Output statistics:
  deferred transmission      0   single collisions     0
  multiple collisions        0   total collisions      0
  failed, excess collisions  0   failed FIFO underrun  0
  failed, carrier sense err  0   SQE test error        0
  late collision              0   internal MAC trans error 0
```

Monitoring Virtual Interfaces

Displaying VLAN Configurations

To display a VLAN connection, perform the following step when prompted:.

Step	Action
1	+ int virtual-interface-number Where <i>virtual-interface-number</i> is a valid VI number from 7 - 13.

The following example shows a typical VLAN configuration.

```
+ int 8
                                     Self-Test   Self-Test   Maintenance
Nt  Nt' Interface  CSR  Vec    Passed    Failed      Failed
8   8   VIRT/1     0    0      0         0          0

Virtual Interface MAC/data-link on None interface

MAC address    08002BA34AC7
PROM address   08002BA34AC7

VLAN Number:4
VLAN Name:   Eng_dept

Port   Assoc Interface  #/Name
3      2 / Eth/1
4      3 / Eth/2
```

Monitoring Virtual Interfaces

Listing VLAN Connections

To list one or more VLANs, complete the following steps when prompted:

Step	Action
1	+ p asrt
2	ASRT> vlan
3	VLAN> list vlan <i>vlan-number</i> or list all Where <i>vlan-number</i> is the number assigned to the VLAN when it was first created.
4	VLAN> exit
5	ASRT> exit
6	+

The following example shows a display for a single VLAN.

```
+p asrt
ASRT> vlan
VLAN> list vlan 4

VLAN Number:4
VLAN Name:   Eng_dept
VI Number:   8
Port   Assoc Interface #/Name
  3           2 /  Eth/1
  4           3 /  Eth/2
```

The following example shows a display for all VLANs.

```
+p asrt
ASRT> vlan
VLAN> list all

#   Name                Ports          VI Number
1   Unconfigured
2   Econ                 4              7
3   main                 1,3            8
4   Eng_dept             5              9
5   Sci_dept             6              10
6   Chem_dept           2              11
7   admin                1              12
8   library              1              13
```


Listing a Virtual Interface

To list information about a virtual interface, perform the following steps when prompted:

Step	Action
1	Config> net <i>vlan-interface-number</i> Where <i>vlan-interface-number</i> is a valid VLAN number from 7-13.
2	VI Config> list

The following is an example of the information that is displayed.

```
VI number: 7
VLAN number (name): 2 (Eng_dept)
IPX Encapsulation: No IPX interface connection
```


Chapter 8

Removing the Module

Overview

Introduction

This chapter describes how to remove the DECswitch 900EE Router from a DEChub 900 MultiSwitch. To remove the DECswitch 900EE Router from a standalone module, refer to the *DEChub ONE Installation* manual.

In this chapter

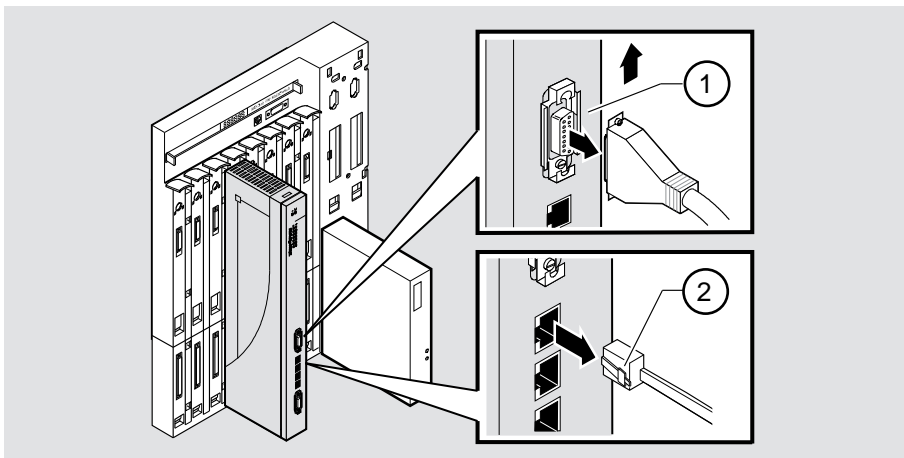
Topic	Page
Removing the Cables	8-2
Unseating the Module	8-3

Removing the Cables

To remove cables from the module, complete the step in the following table that is appropriate for your type of cable (see Figure 8-1).

Step	Action
1	AUI cables, push the connector slide latch up (1) to the unlocked position, then pull out the cable.
2	UTP/ScTP cables, press the release tab (2) on the cable plug, then pull out the cable.

Figure 8-1: Cable Removal



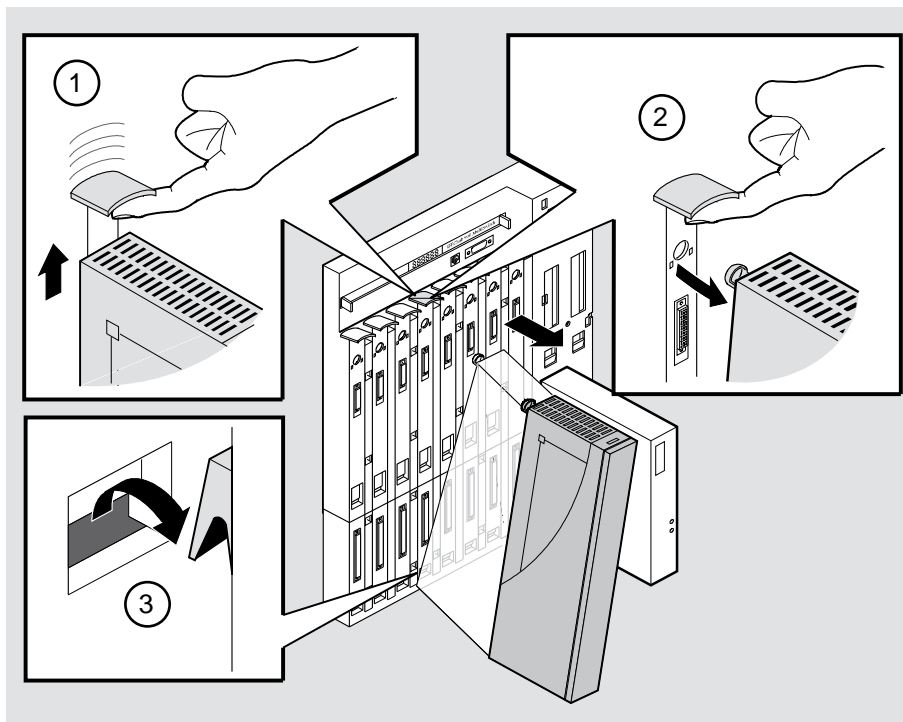
NPG-0118-95F

Unseating the Module

To unseat the module from the DEChub 900, complete the following steps (see Figure 8-2).

Step	Action
1	Lift the release lever (1) located at the top of the DEChub 900 slot.
2	While holding up the release lever (2), pivot the module back on its bottom mounting tab (3).
3	Remove the module.

Figure 8-2: Unseating the Module



NPG-0008-95F

Appendix A

Problem Solving

Overview

Introduction

This appendix describes how to diagnose and solve problems with the module using the LED displays.

In this appendix

Topic	Page
LED Descriptions	A-2
Problem Solving Using LEDs	A-4

LED Descriptions

The module's LEDs provide dynamic indications of the status of the module. The LEDs can be in various states (on, off, or flashing), and can change color (green or yellow) depending on the operational status of the module or the level of activity on the network.

Normal Powerup

When power to the module is initially turned on, the following events occur:

Event	Description
1	The module's Power LED lights as soon as power is applied to the unit.
2	The module initiates its built-in self-test. Flashing Port State LEDs and activity LEDs indicate that the module is running various subroutines as part of the self-test.
3	After the successful completion of self-test (within 60 seconds after power is applied), the Module OK LED lights, and remains lit.
4	The remaining LEDs (Port State and Network Activity LEDs) now indicate their operational status, as described in the following tables.

LED Descriptions

Table A-1 shows the states that are possible for each of the module's LEDs.

Table A-1: Module LED States

LED Name	Off	On (Green)	On (Yellow)	Flashing
Power	No power to module.	Module receiving power.	N/A	N/A
Module OK	Self-test failed (if more than 60 seconds elapsed).	Passed self-test	N/A	Non-fatal failure.
Port State	Failed maintenance test.	Port is enabled and running.	N/A	Flashing green when Management has disabled a port.
Network Activity	No network activity.	Network traffic level through the front panel.	Network traffic level through backplane or through DEChub ONE docking station.	Intermittent network activity.

Problem Solving Using LEDs

When diagnosing a problem with the module, note that the problem is often indicated by the combined states of the module's LEDs. Table A-3 lists the typical combined states of the LEDs for various error conditions that can occur during initial installation of the device, along with probable causes and corrective actions to take.

Table A-2: Problem Solving Using LEDs

Symptom	Probable Cause	Corrective Action
Power LED is off.	The module is not receiving +5Vdc.	<p>Check the power status on the Hub Manager status display.</p> <p>If the Hub Manager status display indicates that power is available for this module, press the release lever and reseal or remove the module.</p> <p>Inspect the module's 48- or 160-pin connector for bent, broken, or dirty pins.</p> <p>If the problem persists, either replace the module or contact your service representative to correct the problem.</p>
Module OK LED is off.	Self-test in progress.	Wait for self-test to complete.
	Self-test failed.	<p>If the LED does not light within 60 seconds, lift the release lever momentarily to repeat the self-test.</p> <p>If self-test fails again, replace the module. If the problem persists, contact your service representative to correct the problem.</p>
Module OK LED is off and Port State LED for Port 1 is blinking green (once every 8 seconds).	Module's firmware image is corrupted.	Either replace the module or contact your service representative to correct the problem.
Module OK LED is flashing, but module continues to operate normally.	A nonfatal error occurred.	Power off and on. If the problem persists, either replace the module or contact your service representative to correct the problem.

Problem Solving Using LEDs

Symptom	Probable Cause	Corrective Action
Port State LED is off.	1. Connection is bad (loose, or incorrect cable).	Correct the cable connection.
	2. Port not connected.	None — normal operation.
Port State LED is on yellow.	Port failure.	Either replace the module or contact your service representative to correct the problem.
Port State LED is flashing green.	The corresponding port is in one of the following port states: Backup, Preforwarding or Disabled.	None — normal operation.

Appendix B

Connector and Pin Assignments

Overview

Introduction

This appendix shows the pin assignments of the connectors, cables, and adapters that are part of, or can be used with, the module.

In This Chapter

Topic	Page
Connector Assignments	B-2
Internal and External Crossover Configurations	B-6

Connector Assignments

10BaseT (8-pin MJ) Port Connector

This section shows the 8-pin MJ (straight-through) connector and its pin assignments.

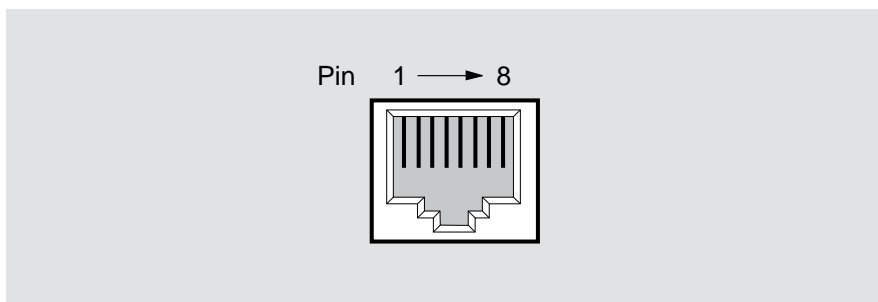
Table B-1: 10BaseT Port Connector Pin Assignments

Pin No.	Assignment
1	TX+
2	TX-
3	RX+
4	Unused
5	Unused
6	RX-
7	Unused
8	Unused

NOTE

All 10BaseT port connectors on the module are straight-through connections.

Figure B-1: 10BaseT Port Connector



NPG-8719-95F

AUI (15-pin D-Sub) Port Connector

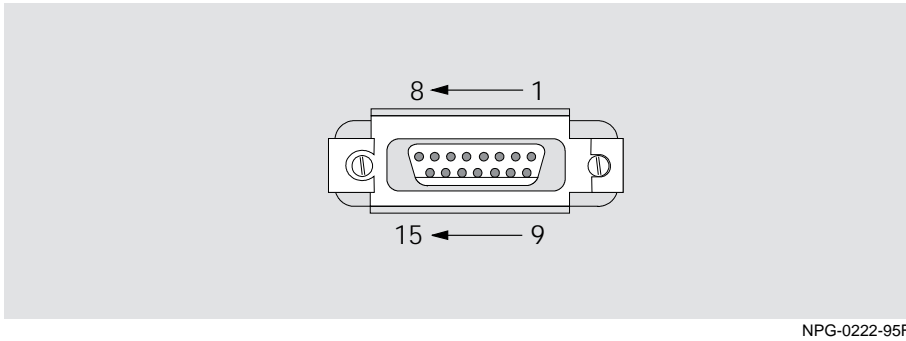
This section shows the 15-pin AUI connector and its pin assignments.

Table B-2: AUI Port Connector

Pin No.	Port
1	Ground
2	CI+
3	DO+
4	Ground
5	DI+
6	Power rtn
7	NC
8	Ground
9	CI-
10	DO-
11	Ground
12	DI-
13	Power 12V
14	Ground
15	NC

Connector Assignments

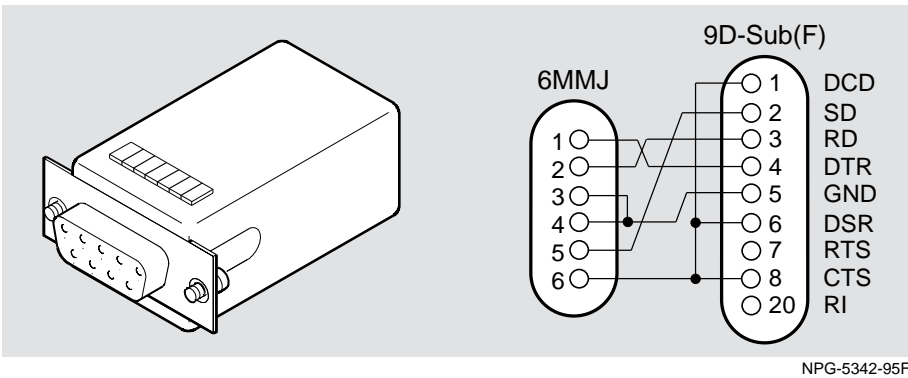
Figure B-2: AUI Port Connector



H8571-J Adapter

This section shows the H8571-J adapter (6-pin MMJ to 9-pin D-Sub connector) and its pin assignments.

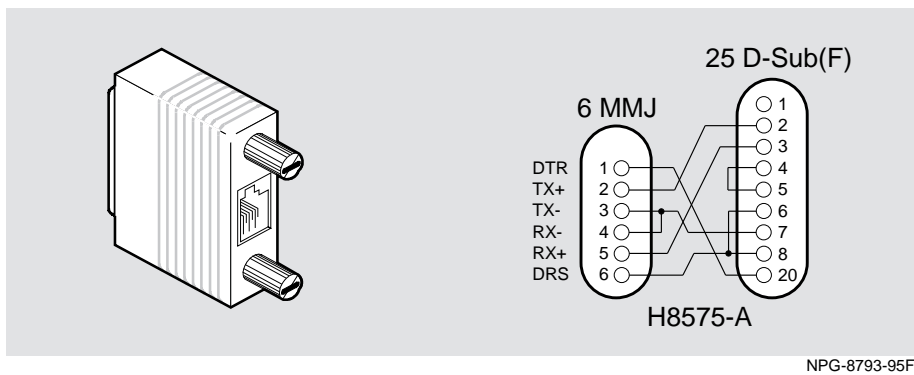
Figure B-3: H8571-J Adapter



H8575-A Adapter

This section shows the H8575-A adapter (6-pin MMJ connector to 25-pin D-Sub connector) and its pin assignments.

Figure B-4: H8575-A Adapter



NOTE

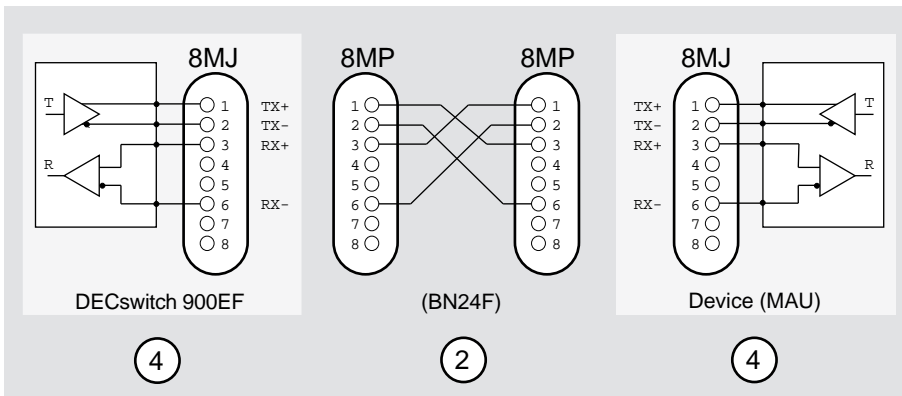
EOS/ESD protection devices are not shown in the illustration.

Internal and External Crossover Configurations

A crossover function must be implemented in every twisted-pair link. The crossover function (internal or external) allows the transmitter of one device to connect to the receiver of the device at the other end of the twisted-pair link. Figure B-5 shows crossover cables (2) for connecting crossover (3) and straight-through (4) types of devices. Figure B-6 shows straight-through cables (1) for connecting these devices. The DECswitch 900EE Router uses straight-through connectors. If screened cabling is required, use BN26M.

Figure B-5: External Crossover Configurations

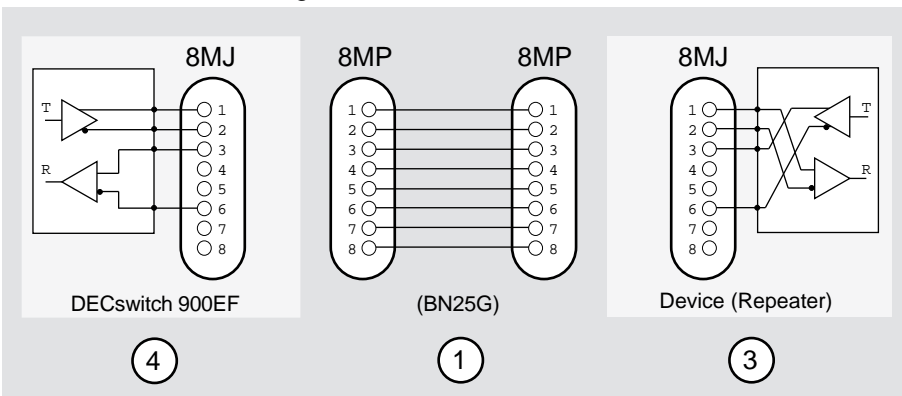
External Crossover Configuration:



NPB-0103-95F

Figure B-6: Internal Crossover Configurations

Internal Crossover Configuration:



NPG-0104-95F

Appendix C

Product Specifications

Overview

Introduction

This appendix lists the operating specifications and the acoustical specifications for the DECswitch 900EE Router.

In this appendix

Topic	Page
Operating Specifications	C-2
Connectors	C-4
Acoustical Specifications	C-5

Operating Specifications

Table C-1 lists the product specifications for the module.

Table C-1: Product Specifications

Parameter	Specification
Environment	
Operating Temperature ¹	5° C to 50° C (41 ° F to 122 ° F)
Relative Humidity	10% to 95% noncondensing
Altitude	
• Operating	Sea level to 2400 m (8,000 ft)
• Non-operating	Sea level to 4900 m (16,000 ft)
Power	62.5W total power ² 8.0 A, 5Vdc 0.1 A, 12Vdc 1.5 A, 15Vdc
Physical	
Height	44.45 cm (17.5 in)
Width	4.45 cm (1.75 in)
Depth	15.25 cm (6 in); 25.40 cm (10 in) when installed as a standalone unit.
Weight	1.8 kg (4 lb)³ when installed as a standalone unit.

¹For sites above 2400 m (8,000 ft), decrease the operating temperature specification by 1.8° C for each 1000 m or 3.2°F for each 3200 ft.

²The 12Vdc power in the DEChub 900 is derived from the 15Vdc power source. Although it is listed separately in the product specifications, the 12Vdc requirements are included in the 15Vdc power total.

³Actual module (no shipping container) includes an additional 1.59 kg (3.5 lb) when attached to a DEChub ONE docking station.

Operating Specifications

Parameter	Specification
Shock (Class A/B for products weighing under 100 lbs)	10 G / 10 ms half sine pulse in three orthogonal axes
Vibration (Class C)	5 to 200 Hz sine sweep @ 0.25 G limited by 0.02" (0.5mm) displacement DA* 200 to 500 Hz sine sweep @ 0.10 G
Certification	CE, CSA, FCC, TÜV, UL, VCCI

Connectors

Table C-2 lists connectors on the DECswitch 900EE.

Table C-2: Connectors on the DECswitch 900EE

Connectors	Quantity
15-pin D-Sub (AUI ports)	2
Shielded 10BaseT (8-pin MJ) ports with straight through connectors	4

Table C-3 lists connectors on the DEChub ONE.

Table C-3: Connectors on the DEChub ONE

Connectors	Quantity
8-pin MJ (setup port)	1
DB-9 (OBM)	1
15-pin D-Sub (AUI ports)	1

Acoustical Specifications

Table C-4 lists the acoustical specifications for the module in English. Table C-5 lists the acoustical specifications in German.

Declared Values per ISO 9296 and ISO 7779¹

Table C-4: Acoustical Specifications

Product	Sound Power Level $L_{WA,d}$, B	Sound Pressure Level L_{pAm} , dBA (bystander positions)
	Idle/Operate:	Idle/Operate:
DECswitch 900EE DEBMP-MA	5.0	37
DECswitch 900EE & DEChub ONE DEBMP-MA + DEHUA	5.3	40

¹ Current values for specific configurations are available from Digital Equipment Corporation representatives. 1 B = 10 dBA.

Schallemissionswerte Werteangaben nach ISO 9296 und ISO 7779/DIN EN27779

Table C-5: Aktuelle Werte für spezielle Produkt

Produkt	Schalleistungspegel $L_{WA,d}$, B	Schalldruckpegel L_{pAm} , dBA (Zuschauerpositionen)
	Leerlauf/Betrieb	Leerlauf/Betrieb
DECswitch 900EE DEBMP-MA	5,0	37
DECswitch 900EE & DEChub ONE DEBMP-MA + DEHUA	5,3	40

¹ Aktuelle Werte für spezielle Ausrüstungsstufen sind über die Digital Equipment Vertretungen erhältlich. 1 B = 10 dBA.

Index

Numbers

10BaseT connector 2-2, 2-12, B-2
160-pin connector 2-4
48-pin connector 2-4

A

Acoustical specifications C-5
 German C-5
Adapter
 AUI 2-2
 for setup port 3-3
 H8571-A B-4
 H8575-A B-5
AppleTalk protocol 1-4
AUI adapter 2-2
AUI cable
 connecting 2-11
 disconnecting 2-11
AUI connector B-3

B

Back panel features 2-4
Bridging 1-4

C

Cables
 connecting 2-10
 connections 3-5
 external crossover configuration B-6
 internal crossover configuration B-6
 removing 8-2
 twisted-pair link B-6
Cabling
 setup port 3-3
Configuration 1-3
Configuration commands 6-2
Connectors 2-2
 10BaseT 2-2, B-2
 AUI B-3
 DEChub ONE C-4

DEChub ONE-MX C-4
DECswitch 900EE C-4

D

DEChub 900 installation menu options
 Go to Local Console 5-16
 IP Configuration 5-11
 Restart with Current Settings 5-9
 Restart with Factory Defaults 5-8
 Show Current Settings 5-10
DEChub 900 IP configuration options
 Set Default Gateway 5-15
 Set In-Band Interface IP Address 5-13
 Set Out-of-Band Interface IP Address 5-14
 Set SNMP Read/Write Community 5-12
DEChub 900 MultiSwitch installation menu 5-4
DECnet Phase IV protocol 1-4
DECnet/OSI protocol 1-4
DECswitch 900EE Router
 description 1-2
 removing from a DEChub 900 8-1

E

EasyStart 1-8, 4-3, 4-5
Ethernet port
 configuring 6-3
 monitoring 7-4
Ethernet support 1-6

F

Features
 bridging 1-4
 configuration 1-3
 EasyStart 1-8
 Ethernet support 1-6
 hot swap 1-3
 management 1-3
 routing protocols 1-4
 SNMP support 1-7
 virtual LANs (VLANs) 1-5

Frame translation 1-6
Front panel components 2-2

H

H8571-A adapter B-4
H8585-A adapter B-5
Hot swap 1-3

I

Installation menu 4-3, 5-6
Interfaces
 listing 7-3
IP address format 4-10
IP protocols 1-4
IPX protocol 1-4
 specifying frame encapsulation type 6-10

L

LEDs
 displays A-2
 indicators 2-2
 problem solving with A-4
 states A-3
 troubleshooting A-4

M

MAC addresses 2-2
Management 1-3
Menus
 using for setting up 4-3, 5-6
Module components 2-2
Module setup
 using menus 4-3, 5-6
Monitor mode
 accessing 7-2
 exiting 7-2

O

OBM
 configuring 6-4
Operating specifications
 altitude C-2
 certification C-3

humidity C-2
power C-2
shock C-3
temperature C-2
vibration C-3

P

Packet translation 1-6
Port switching 1-6
Power ratings 2-7
Product specifications C-2
Protocols
 AppleTalk 1-4
 DECnet Phase IV 1-4
 DECnet/OSI 1-4
 IP 1-4
 IPX 1-4

Q

Qconfig 4-15
Quick configuration 4-15

R

RFCs
 supported 1-7
Routing protocols 1-4

S

Setup port
 accessing 4-2, 5-2
 connecting 3-4
Setup port cabling 3-3
Signaling standards 3-2
SNMP support 1-7
Specifications
 acoustical C-5
 operating C-2
Standalone installation menu options
 Configure IP 4-8
 Configure Out-of-Band Port 4-13
 Go to Local Console 4-15
 Out-of-Band Port Speed 4-14
 Restart with Current Settings 4-6

- Restart with Factory Defaults 4-5
- Show Current Settings 4-7
- Standalone IP configuration options
 - Set Default Gateway 4-12
 - Set In-Band Interface IP Address 4-10
 - Set Out-of-Band Interface IP Address 4-11
 - Set SNMP Read/Write Community 4-9

U

- UTP/STP cable
 - connecting 2-12

V

- Virtual interface (VI)
 - listing 7-7
- Virtual interface (VI) number 6-7, 6-9, 7-7
- Virtual LAN (VLAN) number 6-7
- Virtual LANs (VLANs)
 - configuring 6-5
 - create 6-7
 - default 6-5, 6-8
 - delete 6-7
 - frame types 6-9
 - IPX encapsulation 6-10
 - list 6-8, 7-6
 - modify 6-8
 - monitoring 7-5
 - name 6-7 to 6-8
 - online help 6-7
 - ports 6-7 to 6-8
 - support 1-5
 - virtual interface (VI) number 6-7, 6-9, 7-7
 - virtual LAN (VLAN) number 6-7

