

**DIGITAL Server 5000**  

---

**Illustrated Parts Breakdown**

Order Number: ER-K8FWW-IP A01

**Digital Equipment Corporation**  
**Maynard, Massachusetts**

Digital Equipment Corporation reserves the right, without notice, to make substitutions and modifications in the specifications of products documented in this manual and further reserves the right to withdraw any of these products from the market without notice.

Digital Equipment Corporation is not responsible for errors which may appear in the technical description (including illustrations and photographs) of the products covered by this manual.

None of the descriptions contained in this manual imply the granting of any license whatsoever to make, use or sell equipment constructed in accordance therewith.

Restricted Rights: Use, duplication or disclosure by the U.S. Government is subject to restrictions as set forth in subparagraph (c) (1) (ii) of the Rights in Technical Data and Computer Software clause at DFARS 252.227-2713.

Copyright ©1998 by Digital Equipment Corporation. All rights reserved.  
Printed in U.S.A.

The following are trademarks of Digital Equipment Corporation :  
AlphaGeneration, AlphaServer, DIGITAL, Open VMS, StorageWorks, ThinWire and the DIGITAL logo.

The following are third party trademarks:  
IBM is a registered trademark of International Business Machines, Inc.  
Microsoft and Windows NT are registered trademarks of Microsoft Corporation.  
UNIX is a registered trademark in the United States and other countries, licensed exclusively through X/Open Company Ltd.

#### **Reader's Comments**

DIGITAL welcomes your comments on this manual.  
You can send your comments to DIGITAL at the address below:

Digital Equipment Corporation  
Servers Engineering and Technical Services  
129 Parker Street  
PKO3-2/T32  
Maynard, MA 01754-2199

Please reference ER-K8FWW-IP. A01 in your correspondence.

# ILLUSTRATED PARTS BREAKDOWN

## DIGITAL Server 5000

### ILLUSTRATED PARTS BREAKDOWN (IPB)

The IPB is used to identify a part and its location in a hardware product. The document references specific item numbers in the associated parts list.

#### HOW TO USE THE IPB

1. Locate the figure containing the item of interest.
2. Locate the number (callout) of the item of interest.
3. Locate that item number in the associated parts list.

#### FORMAT

Each IPB is generally organized based on its first figure. All other assemblies and subassemblies are referenced from this figure. Each figure contains numeric callouts of all major parts (items).

#### PARTS LIST

Each parts list contains the following:

**Figure and Item No.** — Lists the figure number and its referenced numeric callout

**Description** — Presents the name and a brief description of the item. A single asterisk (\*) preceding the description denotes item is a

subassembly to its referenced figure. A double asterisk (\*\*) preceding the description indicates that this item is subordinate to the preceding single asterisk item.

**Digital Part No.** — Lists the DIGITAL/Vendor part number. The letter in the column heading indicates the current revision level of the Engineering Drawing for the referenced figure.

**ECO Cut-In** — Lists the top assembly drawing number and revision level at first printing. All additional revisions to an item are listed in this column.

**Used On Code** — Lists letters referring to the product variation assigned in Figure 1. When this column is blank, the item is used in all variations.

**Ref Fig No.** — Lists a cross reference between figures within the IPB.

#### PART NUMBER/PART DESCRIPTION INDEX SECTION

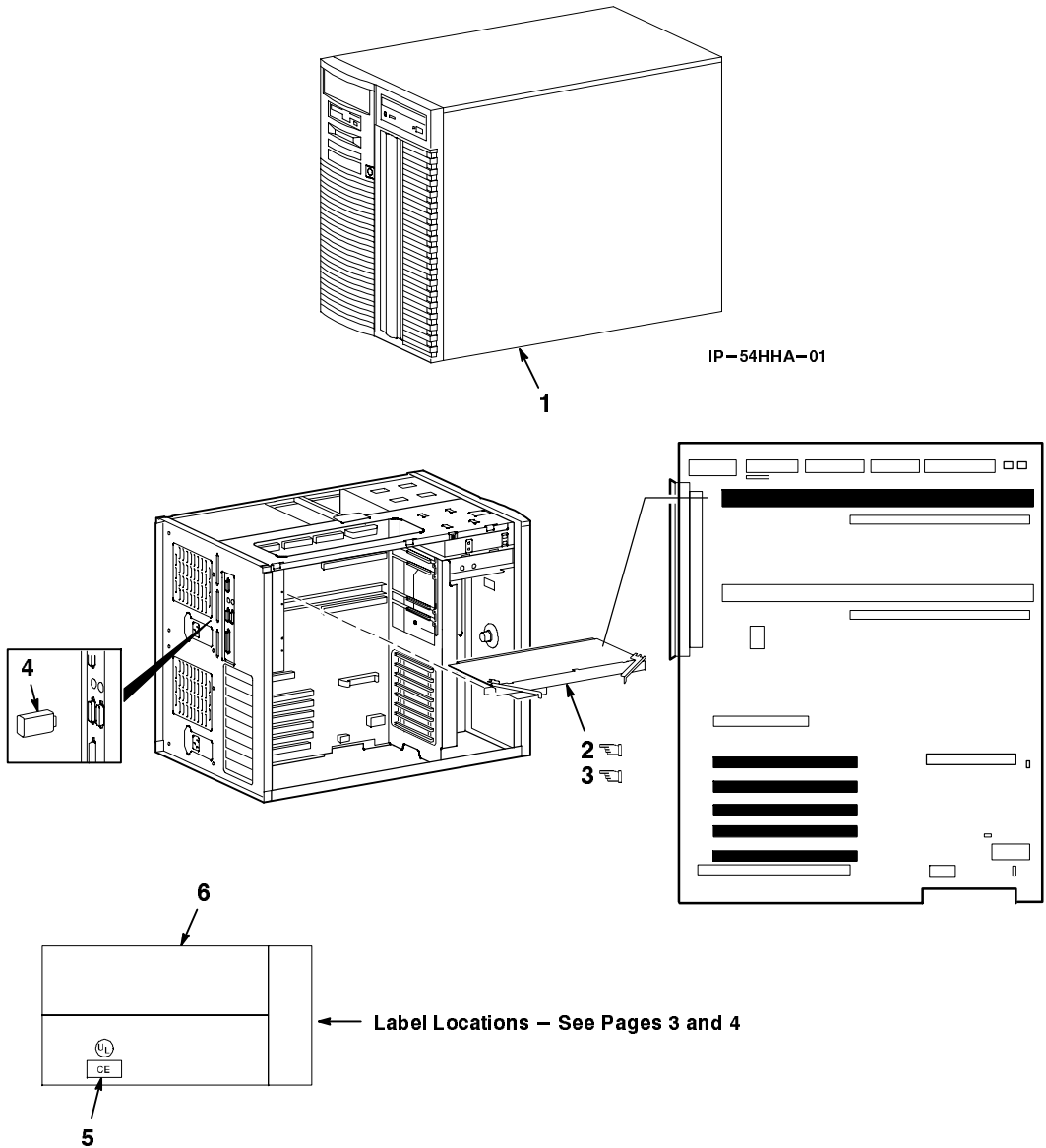
Lists items by part number numerically, and description alphabetically. Items are also referenced to a location within the IPB by figure and item number.

ECO/REVISION HISTORY					OTHER IPB MANUALS REFERENCED
FIGURE NO.	ASSEMBLY	INITIAL LEVEL	CURRENT LEVEL	PRINTING DATE	
1	PD02A	00000	00000	FEB 98	N/A
2	PD02X	00001	00001		
3	30-41899	00008	00008		



  INDICATES FRU LEVEL PARTS.

# PARTS LIST



IP-PD02A-01

**Figure 1. Kernel Assembly**

FIG.& ITEM NO.	DESCRIPTION	DIGITAL PART NO. <sup>A</sup>	ECO CUT-IN PD02A 00000	USED ON CODE	REF FIG NO.
1- A	DIGITAL Server 5000 5/400 KERNEL ASSEMBLY	PD02A-A9		A	
B	DIGITAL Server 5000 5/533 KERNEL ASSEMBLY	PD02A-B9		B	
1	*BTS KERNEL ASSEMBLY	PD02X-A9			2
2	*Module, CPU EV5.6 (400 MHz)	B3107-AA		A	
3	*Module, CPU EV5.6 (533 MHz)	B3107-CA		B	
4	*Adapter, DECstation 2000, 9-Pin Serial	H8571-J			
5	*Label, CE Mark (See Page 4)	36-36842-01			
6	*Label, Composite Set, Blank (See Pages 3 & 4)	36-43278-01			
7	*Label, C-Tick Mark (See Page 4)	36-48270-01			
8	*Package Assembly (Not Shown)	37-01507-01			

✎ ✎ INDICATES FRU LEVEL PARTS.

PARTS LIST 

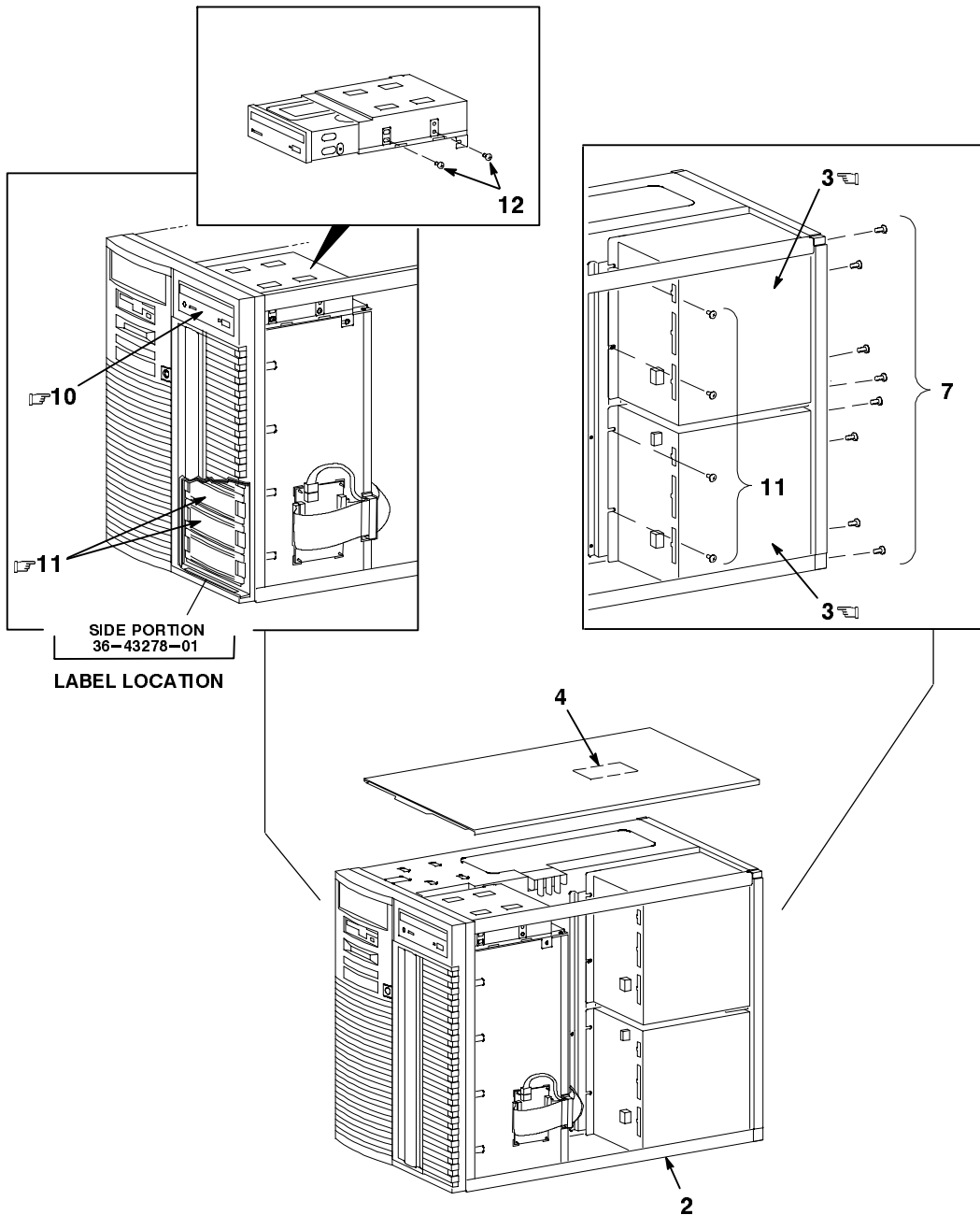


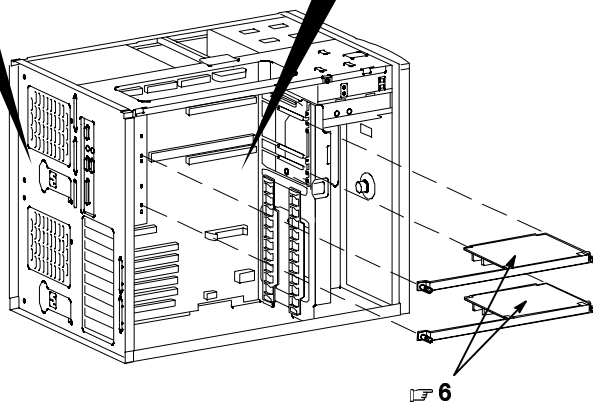
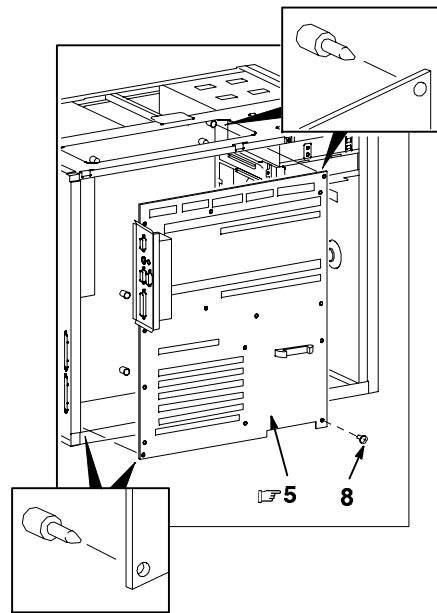
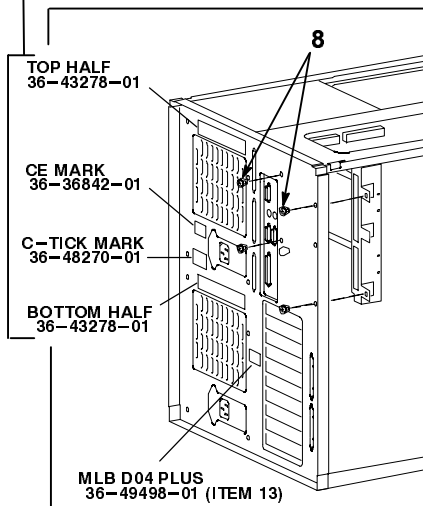
Figure 2. BTS Kernel Assembly (Sheet 1 of 3)

IP-54ZHA-01

INDICATES FRU LEVEL PARTS.

PARTS LIST

LABEL LOCATIONS



IP-54ZHA-02

Figure 2. BTS Kernel Assembly (Sheet 2 of 3)



INDICATES FRU LEVEL PARTS.

PARTS LIST

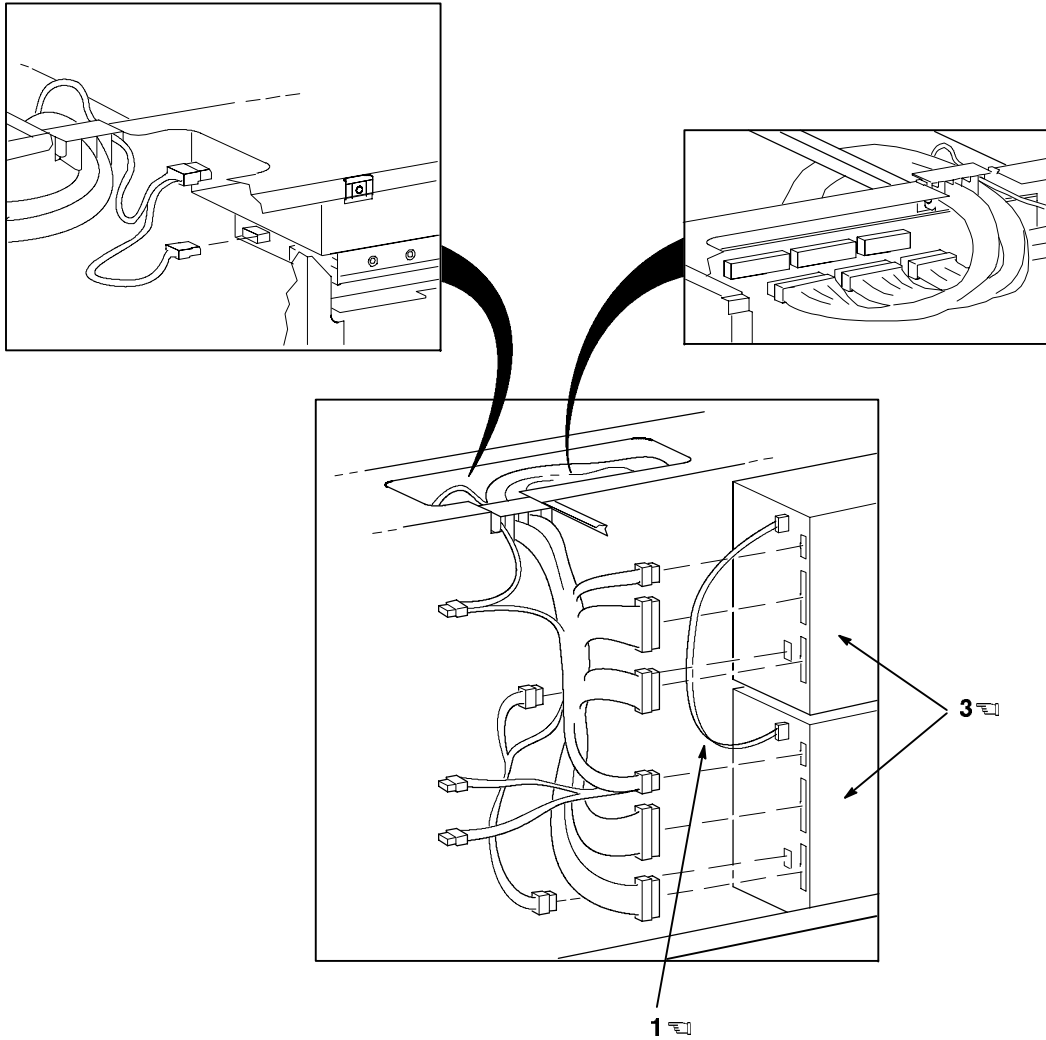


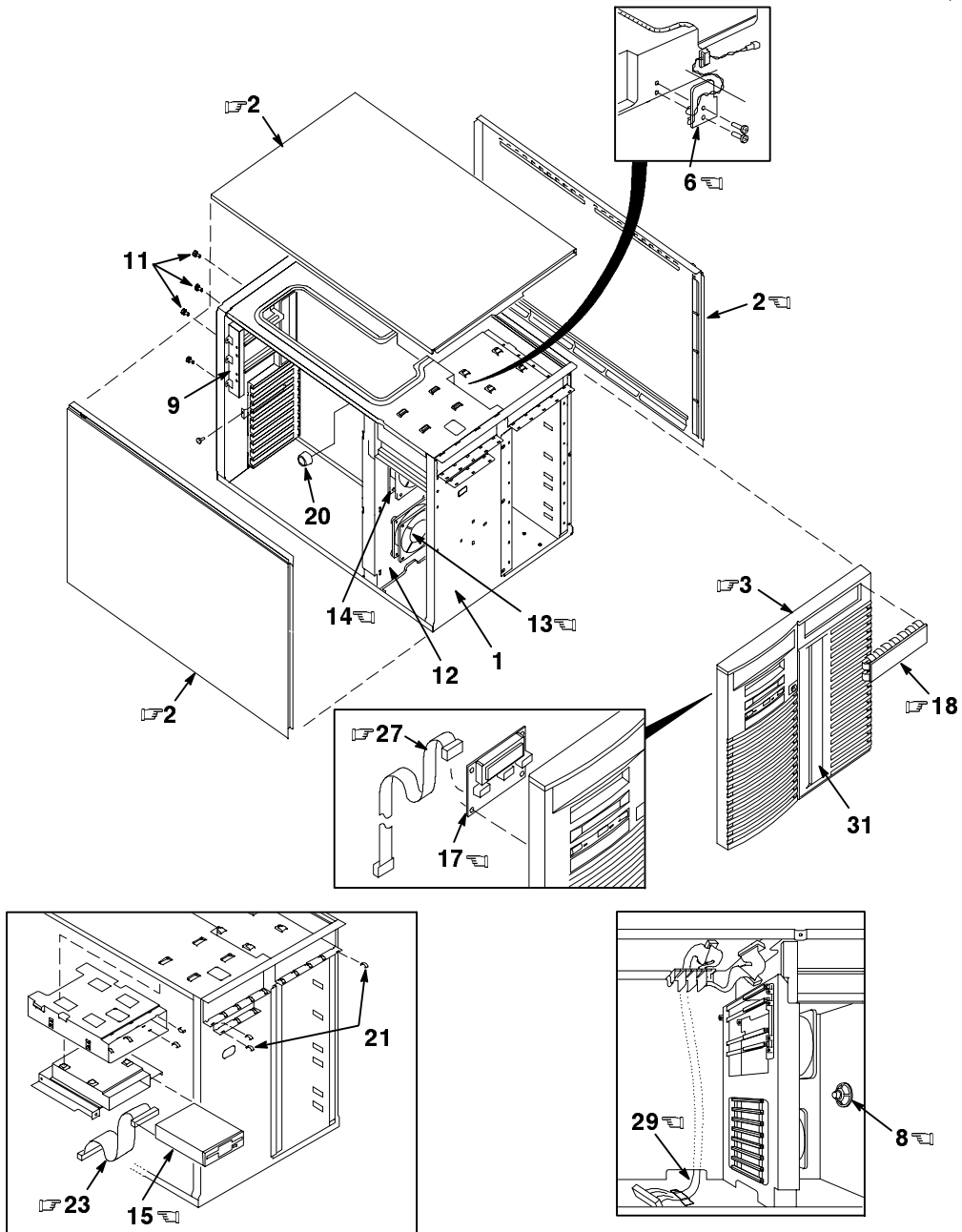
Figure 2. BTS Kernel Assembly (Sheet 3 of 3)

IP-54ZHA-03

FIG. & ITEM NO.	DESCRIPTION	DIGITAL PART NO. <sup>B</sup>	ECO CUT-IN PD02X 00001	USED ON CODE	REF FIG NO.
2-	BTS KERNEL ASSEMBLY	PD02X-A9			1
☞ 1	*Cable, Power Supply Current Sharing (3-Pin)	17-04195-01			
2	*ENCLOSURE, SYSTEM BOX	30-41899-04			3
☞ 3	*Power Supply, 450W	30-43120-02			
4	*Label, Customer Installation	36-43629-04			
☞ 5	*Module, Main Logic Board (MLB)	54-25147-02			
☞ 6	*Module, Riser Card	54-25149-01			
7	*Screw, Sems Pan Hd 6-32 x .25	90-00049-01			
8	*Screw, Pan Hd M3 x 6 mm	90-09984-20			
9	*Screw, Sems Pan Hd M3.5 x 8 mm	90-09984-29			
☞ 10	*CD-ROM (12X)	RRD46-AB			
☞ 11	*Bezel, Blank (White)	74-45644-04			
12	*Screw, Pan Hd M3 x 4 mm	90-10961-01			
13	*Label, MLB D04 Plus	36-49498-01			

INDICATES FRU LEVEL PARTS.

PARTS LIST

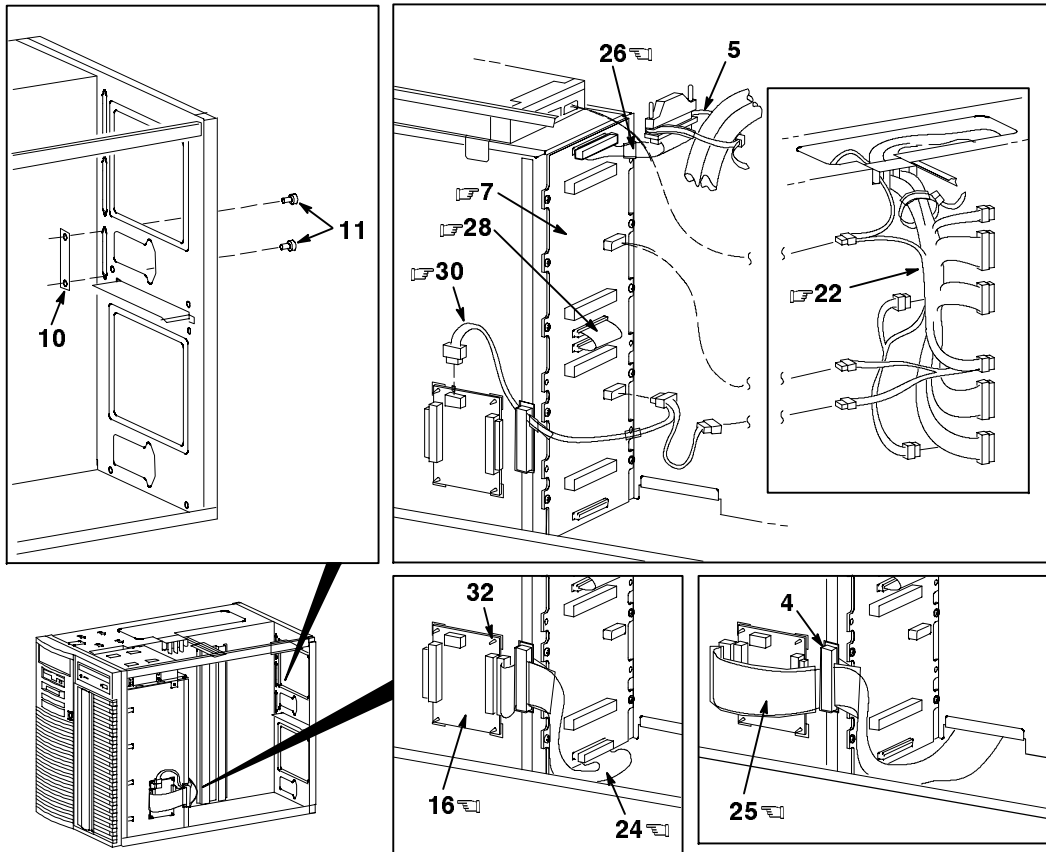


IP-3041 899-01

Figure 3. System Box Enclosure (Sheet 1 of 4)

  INDICATES FRU LEVEL PARTS.

PARTS LIST 

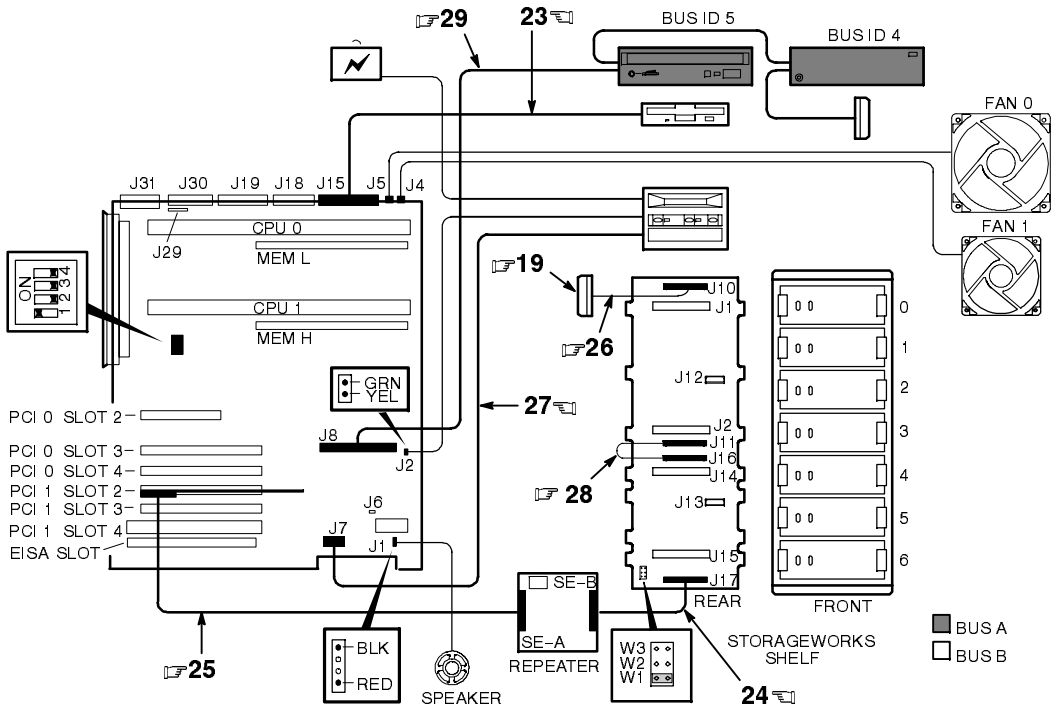


IP-3041899-02

Figure 3. System Box Enclosure (Sheet 2 of 4)

INDICATES FRU LEVEL PARTS.

PARTS LIST 



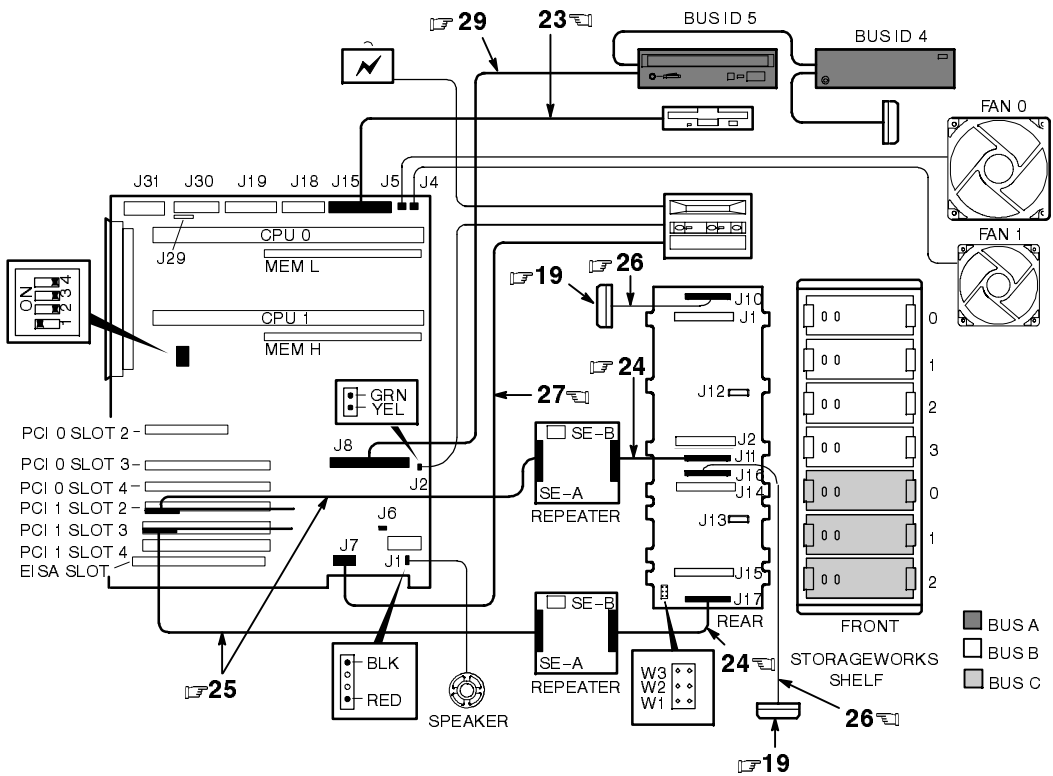
DUAL CONTROLLER ULTRA SCSI CONFIGURATION

IP-3041899-03

Figure 3. System Box Enclosure (Sheet 3 of 4)

INDICATES FRU LEVEL PARTS.

PARTS LIST 



OPTIONAL TRIPLE CONTROLLER SPLIT BACKPLANE ULTRA SCSI CONFIGURATION

IP-3041899-04

Figure 3. System Box Enclosure (Sheet 4 of 4)

FIG. & ITEM NO.	DESCRIPTION	DIGITAL PART NO. <sup>K</sup>	ECO CUT-IN 3041899 00008	USED ON CODE	REF FIG NO.
3-	ENCLOSURE, SYSTEM BOX	30-41899-04			2
1	*Frame Assembly, Main	70-33336-01			
☞ 2	*Cover Assembly, (Top/Both Sides) (White)	70-31347-03			
☞ 3	*Panel Assembly (Front) (White)	70-31345-04			
4	*Clamp, Cable (Adhesive Mount)	12-44237-01			
5	*Tie, Cable	90-09617-00			
☞ 6	*Microswitch Assembly	70-31348-01			
☞ 7	*Backplane, StorageWorks	54-23365-01			
☞ 8	*Speaker Assembly	70-31349-01			
9	*Bracket, Rear Assembly	70-33324-01			
10	*Cover, 50-Pin	74-48804-02			
11	*Screw, Pan Hd, M3 x 6 mm	90-09984-20			
12	*Bracket Assembly, Fan Shield	70-33316-01			
☞ 13	*Fan Assembly (92 mm)	70-31350-01			
☞ 14	*Fan Assembly (120 mm)	70-31351-01			
☞ 15	*Floppy Drive, 3.5 Inch (1.44 MB)	RX23L-AB			
☞ 16	*Module, SCSI Bus Extender	30-48985-01			
☞ 17	*Module, OCP	54-23302-02			
☞ 18	*Cover, Panel, 5 1/4 Inch (White)	74-49537-02			
☞ 19	*Terminator, 68-Pin SCSI, External	12-41768-03			
20	*Bumper, Round Rubber (Adhesive Backed)	90-11461-01			
21	*Clip, EMI Ground	74-46487-01			
☞ 22	*CABLE ASSEMBLY, DC POWER SUPPLY	70-31346-01			
	**Harness, Power Supply Signal/Misc. (15-Pin)	17-03965-01			
	**Harness, Power Supply +5V (24-Pin)	17-03966-01			
	**Harness, Power Supply +3.3V (20-Pin)	17-03968-01			
	**Harness, Power Supply Storage (12-Pin)	17-03969-01			
☞ 23	*Cable, Floppy Drive (34-Pin)	17-03970-02			
☞ 24	*Cable, SCSI, 68 Cond. (StorageWorks to SCSI Bus Extender Module)	17-04022-03			
☞ 25	*Cable, SCSI, 68 Cond. (SCSI Bus Extender Module to SCSI Bus Controller Card)	17-04143-04			
☞ 26	*Cable, SCSI, 68 Cond. (StorageWorks to External Port)	17-04019-02			
☞ 27	*Cable, OCP Module (10-Pin)	17-03971-01			
☞ 28	*Cable, Internal StorageWorks Jumper (68-Pin)	17-04021-01			
☞ 29	*Cable, 50 Cond., Flat (MLB (J8) to RMD)	17-04685-01			
☞ 30	*Harness, 4 Cond. (SCSI Bus Extender Module to StorageWorks)	17-04700-01			
31	*Lens, Snap-In	74-50848-01			
32	*Support, Module, Snap-In	90-00050-07			





**PART NUMBER/DESCRIPTION INDEX** 

## INDEX BY DIGITAL PART NUMBER

PART NUMBER	DIGITAL Server 5000 DESCRIPTION	FIG.-ITEM NUMBER
12-41768-03	Terminator, 68-Pin SCSI, External	3-19
12-44237-01	Clamp, Cable (Adhesive Mount)	3-4
17-03965-01	Harness, Power Supply Signal/Misc. (15-Pin)	3-22
17-03966-01	Harness, Power Supply +5V (24-Pin)	3-22
17-03968-01	Harness, Power Supply +3.3V (20-Pin)	3-22
17-03969-01	Harness, Power Supply Storage (12-Pin)	3-22
17-03970-02	Cable, Floppy Drive (34-Pin)	3-23
17-03971-01	Cable, OCP Module (10-Pin)	3-27
17-04019-02	Cable, SCSI, 68 Cond. (StorageWorks to External Port)	3-26
17-04021-01	Cable, Internal StorageWorks Jumper (68-Pin)	3-28
17-04022-03	Cable, SCSI, 68Cond. (StorageWorks to SCSI Bus Extender Module)	3-24
17-04143-04	Cable, SCSI, 68Cond. (SCSI Bus Extender Module to SCSI Bus Controller Card)	3-25
17-04195-01	Cable, Power Supply Current Sharing (3-Pin)	2-1
17-04685-01	Cable, 50 Cond., Flat (MLB (J8) to RMD)	3-29
17-04700-01	Harness, 4 Cond. (SCSI Bus Extender Module to StorageWorks)	3-30
30-41899-04	ENCLOSURE, SYSTEM BOX	2-2, 3-N/A
30-43120-02	Power Supply, 450W	2-3
30-48985-01	Module, SCSI Bus Extender	3-16
36-36842-01	Label, CE Mark (See Page 4)	1-5
36-43278-01	Label, Composite Set, Blank (See Pages 3 & 4)	1-6
36-43629-04	Label, Customer Installation	2-4
36-48270-01	Label, C-Tick Mark (See Page 4)	1-7
36-49498-01	Label, MLB D04 Plus	2-13
37-01507-01	Package Assembly (Not Shown)	1-8
54-23302-02	Module, OCP	3-17
54-23365-01	Backplane, StorageWorks	3-7
54-25147-02	Module, Main Logic Board (MLB)	2-5
54-25149-01	Module, Riser Card	2-6
70-31345-04	Panel Assembly (Front) (White)	3-3
70-31346-01	CABLE ASSEMBLY, DC POWER SUPPLY	3-22
70-31347-03	Cover Assembly, (Top/Both Sides) (White)	3-2
70-31348-01	Microswitch Assembly	3-6
70-31349-01	Speaker Assembly	3-8
70-31350-01	Fan Assembly (92 mm)	3-13
70-31351-01	Fan Assembly (120 mm)	3-14
70-33316-01	Bracket Assembly, Fan Shield	3-12
70-33324-01	Bracket, Rear Assembly	3-9
70-33336-01	Frame Assembly, Main	3-1
74-45644-04	Bezel, Blank (White)	2-11
74-46487-01	Clip, EMI Ground	3-21
74-48804-02	Cover, 50-Pin	3-10
74-49537-02	Cover, Panel, 5 1/4 Inch (White)	3-18
74-50848-01	Lens, Snap-In	3-31

**INDEX BY DIGITAL PART NUMBER**  
DIGITAL Server 5000

PART NUMBER	DESCRIPTION	FIG.-ITEM NUMBER
90-00049-01	Screw, Sems Pan Hd 6-32 x .25	2-7
90-00050-07	Support, Module, Snap-In	3-32
90-09617-00	Tie, Cable	3-5
90-09984-20	Screw, Pan Hd M3 x 6 mm	2-8, 3-11
90-09984-29	Screw, Sems Pan Hd M3.5 x 8 mm	2-9
90-10961-01	Screw, Pan Hd M3 x 4 mm	2-12
90-11461-01	Bumper, Round Rubber (Adhesive Backed)	3-20
B3107-AA	Module, CPU EV5.6 (400 MHz)	1-2
B3107-CA	Module, CPU EV5.6 (533 MHz)	1-3
H8571-J	Adapter, DECstation 2000, 9-Pin Serial	1-4
PD02A-A9	DIGITAL Server 5000 5/400 KERNEL ASSEMBLY	1-A
PD02A-B9	DIGITAL Server 5000 5/533 KERNEL ASSEMBLY	1-B
PD02X-A9	BTS KERNEL ASSEMBLY	1-1, 2-N/A
RRD46-AB	CD-ROM (12X)	2-10
RX23L-AB	Floppy Drive, 3.5 Inch (1.44 MB)	3-15

## INDEX BY DIGITAL PART DESCRIPTION

### DIGITAL Server 5000

DESCRIPTION	PART NUMBER	FIG.—ITEM NUMBER
Adapter, DECstation 2000, 9-Pin Serial	H8571-J	1-4
Backplane, StorageWorks	54-23365-01	3-7
Bezel, Blank (White)	74-45644-04	2-11
Bracket Assembly, Fan Shield	70-33316-01	3-12
Bracket, Rear Assembly	70-33324-01	3-9
BTS KERNEL ASSEMBLY	PD02X-A9	1-1, 2-N/A
Bumper, Round Rubber (Adhesive Backed)	90-11461-01	3-20
CABLE ASSEMBLY, DC POWER SUPPLY	70-31346-01	3-22
Cable, 50 Cond., Flat (MLB (J8) to RMD)	17-04685-01	3-29
Cable, Floppy Drive (34-Pin)	17-03970-02	3-23
Cable, Internal StorageWorks Jumper (68-Pin)	17-04021-01	3-28
Cable, OCP Module (10-Pin)	17-03971-01	3-27
Cable, Power Supply Current Sharing (3-Pin)	17-04195-01	2-1
Cable, SCSI, 68 Cond. (StorageWorks to External Port)	17-04019-02	3-26
Cable, SCSI, 68 Cond. (SCSI Bus Extender Module to SCSI Bus Controller Card)	17-04143-04	3-25
Cable, SCSI, 68Cond. (StorageWorks to SCSI Bus Extender Module)	17-04022-03	3-24
CD-ROM (12X)	RRD46-AB	2-10
Clamp, Cable (Adhesive Mount)	12-44237-01	3-4
Clip, EMI Ground	74-46487-01	3-21
Cover Assembly, (Top/Both Sides) (White)	70-31347-03	3-2
Cover, 50-Pin	74-48804-02	3-10
Cover, Panel, 5 1/4 Inch (White)	74-49537-02	3-18
DIGITAL Server 5000 5/400 KERNEL ASSEMBLY	PD02A-A9	1-A
DIGITAL Server 5000 5/533 KERNEL ASSEMBLY	PD02A-B9	1-B
ENCLOSURE, SYSTEM BOX	30-41899-04	2-2, 3-N/A
Fan Assembly (120 mm)	70-31351-01	3-14
Fan Assembly (92 mm)	70-31350-01	3-13
Floppy Drive, 3.5 Inch (1.44 MB)	RX23L-AB	3-15
Frame Assembly, Main	70-33336-01	3-1
Harness, 4 Cond. (SCSI Bus Extender Module to StorageWorks)	17-04700-01	3-30
Harness, Power Supply +3.3V (20-Pin)	17-03968-01	3-22
Harness, Power Supply +5V (24-Pin)	17-03966-01	3-22
Harness, Power Supply Signal/Misc. (15-Pin)	17-03965-01	3-22
Harness, Power Supply Storage (12-Pin)	17-03969-01	3-22
Label, C-Tick Mark (See Page 4)	36-48270-01	1-7
Label, CE Mark (See Page 4)	36-36842-01	1-5
Label, Composite Set, Blank (See Pages 3 & 4)	36-43278-01	1-6
Label, Customer Installation	36-43629-04	2-4
Label, MLB D04 Plus	36-49498-01	2-13
Lens, Snap-In	74-50848-01	3-31
Microswitch Assembly	70-31348-01	3-6
Module, CPU EV5.6 (400 MHz)	B3107-AA	1-2
Module, CPU EV5.6 (533 MHz)	B3107-CA	1-3

## INDEX BY DIGITAL PART DESCRIPTION

DIGITAL Server 5000

DESCRIPTION	PART NUMBER	FIG.—ITEM NUMBER
Module, Main Logic Board (MLB)	54-25147-02	2-5
Module, OCP	54-23302-02	3-17
Module, Riser Card	54-25149-01	2-6
Module, SCSI Bus Extender	30-48985-01	3-16
Package Assembly (Not Shown)	37-01507-01	1-8
Panel Assembly (Front) (White)	70-31345-04	3-3
Power Supply, 450W	30-43120-02	2-3
Screw, Pan Hd M3 x 4 mm	90-10961-01	2-12
Screw, Pan Hd M3 x 6 mm	90-09984-20	2-8, 3-11
Screw, Sems Pan Hd 6-32 x .25	90-00049-01	2-7
Screw, Sems Pan Hd M3.5 x 8 mm	90-09984-29	2-9
Speaker Assembly	70-31349-01	3-8
Support, Module, Snap-In	90-00050-07	3-32
Terminator, 68-Pin SCSI, External	12-41768-03	3-19
Tie, Cable	90-09617-00	3-5