

**DIGITAL Server 3000**  

---

**Illustrated Parts Breakdown**

Order Number: ER-K7FWW-IP A01

**Digital Equipment Corporation**  
**Maynard, Massachusetts**

Digital Equipment Corporation reserves the right, without notice, to make substitutions and modifications in the specifications of products documented in this manual and further reserves the right to withdraw any of these products from the market without notice.

Digital Equipment Corporation is not responsible for errors which may appear in the technical description (including illustrations and photographs) of the products covered by this manual.

None of the descriptions contained in this manual imply the granting of any license whatsoever to make, use or sell equipment constructed in accordance therewith.

Restricted Rights: Use, duplication or disclosure by the U.S. Government is subject to restrictions as set forth in subparagraph (c) (1) (ii) of the Rights in Technical Data and Computer Software clause at DFARS 252.227-2713.

Copyright ©1998 by Digital Equipment Corporation. All rights reserved.  
Printed in U.S.A.

The following are trademarks of Digital Equipment Corporation :  
AlphaGeneration, AlphaServer, DIGITAL, Open VMS, ThinWire and the DIGITAL logo.

The following are third party trademarks:

IBM is a registered trademark of International Business Machines, Inc.

Microsoft and Windows NT are registered trademarks of Microsoft Corporation.

UNIX is a registered trademark in the United States and other countries, licensed exclusively through X/Open Company Ltd.

#### **Reader's Comments**

DIGITAL welcomes your comments on this manual.  
You can send your comments to DIGITAL at the address below:

Digital Equipment Corporation  
Servers Engineering and Technical Services  
129 Parker Street  
PKO3-2/T32  
Maynard, MA 01754-2199

Please reference ER-K7FWW-IP A01 in your correspondence.

# ILLUSTRATED PARTS BREAKDOWN

## DIGITAL Server 3000

### ILLUSTRATED PARTS BREAKDOWN (IPB)

The IPB is used to identify a part and its location in a hardware product. The document references specific item numbers in the associated parts list.

#### HOW TO USE THE IPB

1. Locate the figure containing the item of interest.
2. Locate the number (callout) of the item of interest.
3. Locate that item number in the associated parts list.

#### FORMAT

Each IPB is generally organized based on its first figure. All other assemblies and subassemblies are referenced from this figure. Each figure contains numeric callouts of all major parts (items).

#### PARTS LIST

Each parts list contains the following:

**Figure and Item No.** — Lists the figure number and its referenced numeric callout

**Description** — Presents the name and a brief description of the item. A single asterisk (\*) preceding the description denotes item is a

subassembly to its referenced figure. A double asterisk (\*\*) preceding the description indicates that this item is subordinate to the preceding single asterisk item.

**Digital Part No.** — Lists the DIGITAL/Vendor part number. The letter in the column heading indicates the current revision level of the Engineering Drawing for the referenced figure.

**ECO Cut-In** — Lists the top assembly drawing number and revision level at first printing. All additional revisions to an item are listed in this column.

**Used On Code** — Lists letters referring to the product variation assigned in Figure 1. When this column is blank, the item is used in all variations.

**Ref Fig No.** — Lists a cross reference between figures within the IPB.

#### PART NUMBER/PART DESCRIPTION INDEX SECTION

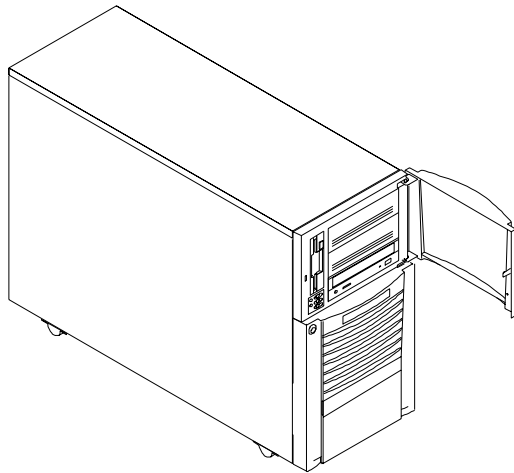
Lists items by part number numerically, and description alphabetically. Items are also referenced to a location within the IPB by figure and item number.

ECO/REVISION HISTORY					OTHER IPB MANUALS REFERENCED
FIGURE NO.	ASSEMBLY	INITIAL LEVEL	CURRENT LEVEL	PRINTING DATE	
1	PD01A	00000	00000	FEB 98	N/A
2	PD01X	00000	00000		
3	30-47994	00004	00004		

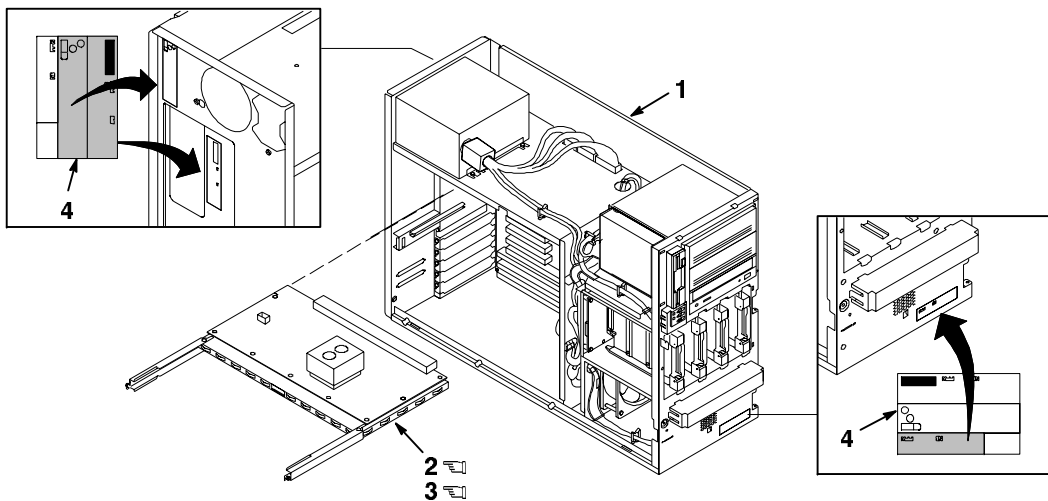


  INDICATES FRU LEVEL PARTS.

PARTS LIST 



IP-PD01A-01



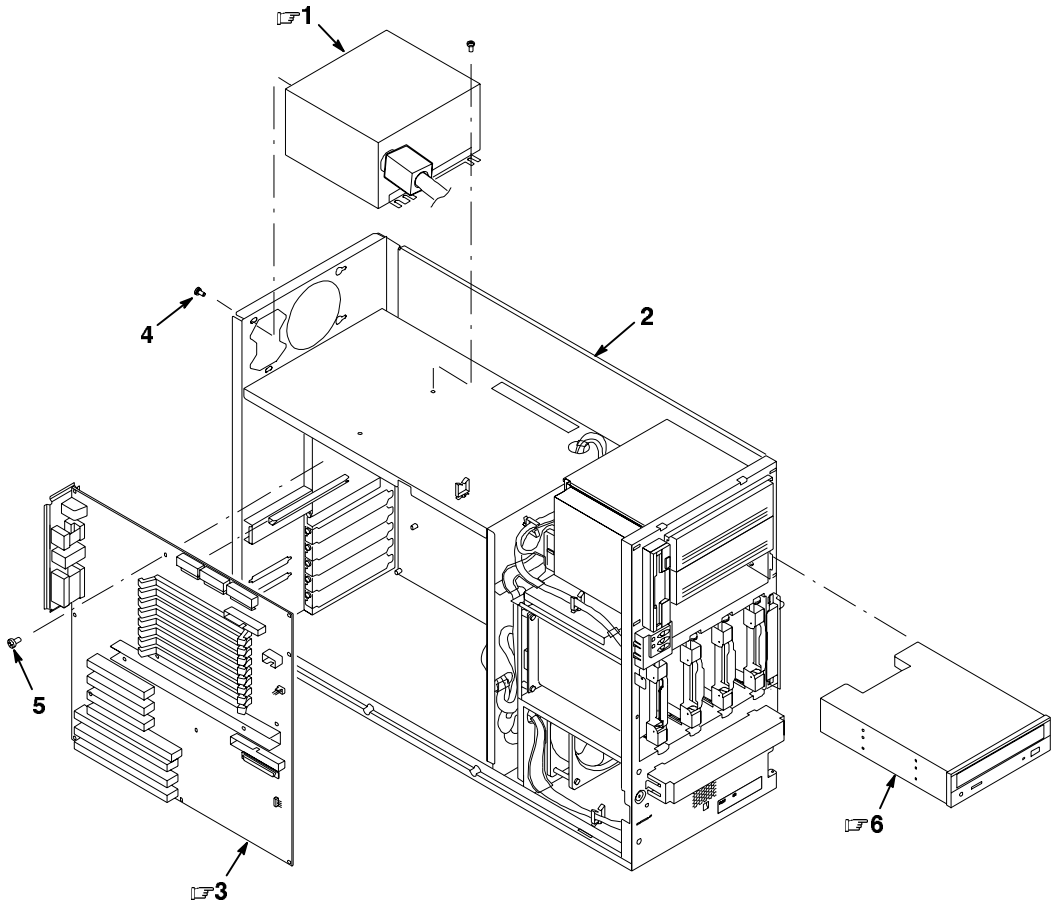
IP-PD01A-02

Figure 1. Kernel Assembly

FIG.& ITEM NO.	DESCRIPTION	DIGITAL PART NO. <sup>A</sup>	ECO CUT-IN PD01A 00000	USED ON CODE	REF FIG NO.
1- A	DIGITAL Server 3000 5/400 KERNEL ASSEMBLY	PD01A-A9		A	
B	DIGITAL Server 3000 5/500 KERNEL ASSEMBLY	PD01A-B9		B	
1	*BTS KERNEL ASSEMBLY	PD01X-A9			2
2	*Module, CPU EV5.6 (400 MHz)	54-24801-04		A	
3	*Module, CPU EV5.6 (500 MHz)	54-24801-06		B	
4	*Label, Composite Set	36-44492-01			
5	*Package Assembly (Not Shown)	37-01668-01			
6	*Documentation, FCC Declaration of Conformity (Not Shown)	EK-AA056-RD			

  INDICATES FRU LEVEL PARTS.

**PARTS LIST** 



**Figure 2. BTS Kernel Assembly**

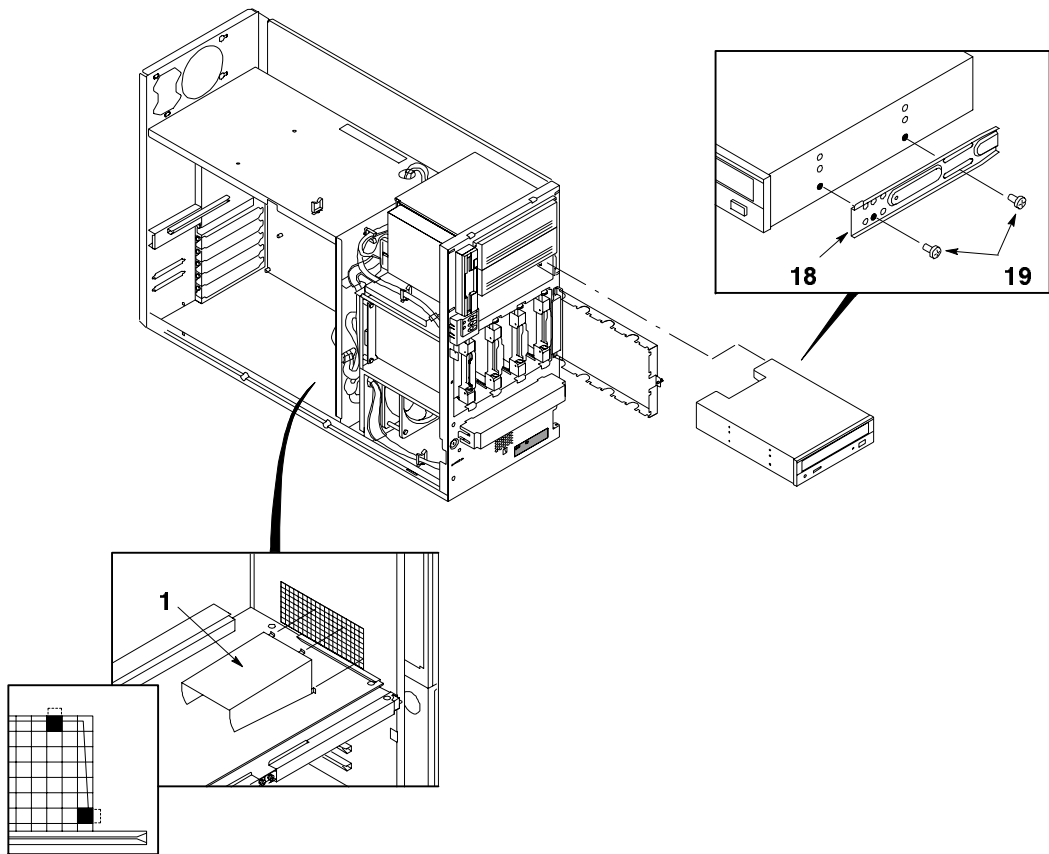
IP-PD01X-01

FIG.& ITEM NO.	DESCRIPTION	DIGITAL PART NO. <sup>A</sup>	ECO CUT-IN PD01X 00000	USED ON CODE	REF FIG NO.
2-	BTS KERNEL ASSEMBLY	PD01X-A9			1
☞ 1	*Power Supply 300W	30-47661-02			
	2 *ENCLOSURE, SYSTEM BOX	30-47994-06			3
☞ 3	*Module, Main Logic Board (MLB)	54-24803-02			
	4 *Screw, Sems Pan Hd 6-32 x .250	90-09984-28			
	5 *Screw, Sems Pan Hd M3 x 8 mm	90-09984-30			
☞ 6	*CD-ROM (12X)	RRD46-AB			



  INDICATES FRU LEVEL PARTS.

**PARTS LIST** 

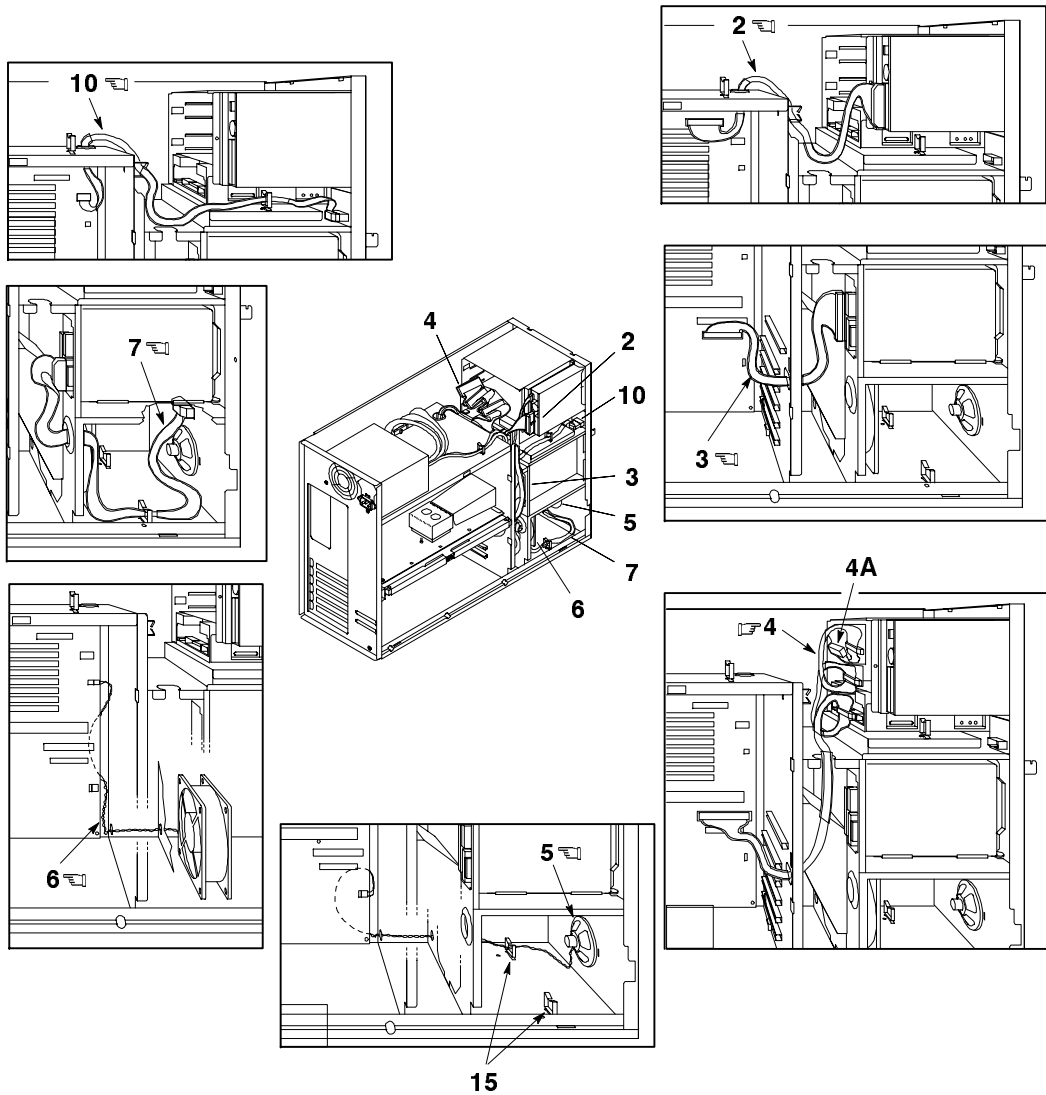


IP-3047994-01

**Figure 3. System Box Enclosure (Sheet 1 of 3)**

  INDICATES FRU LEVEL PARTS.

**PARTS LIST** 

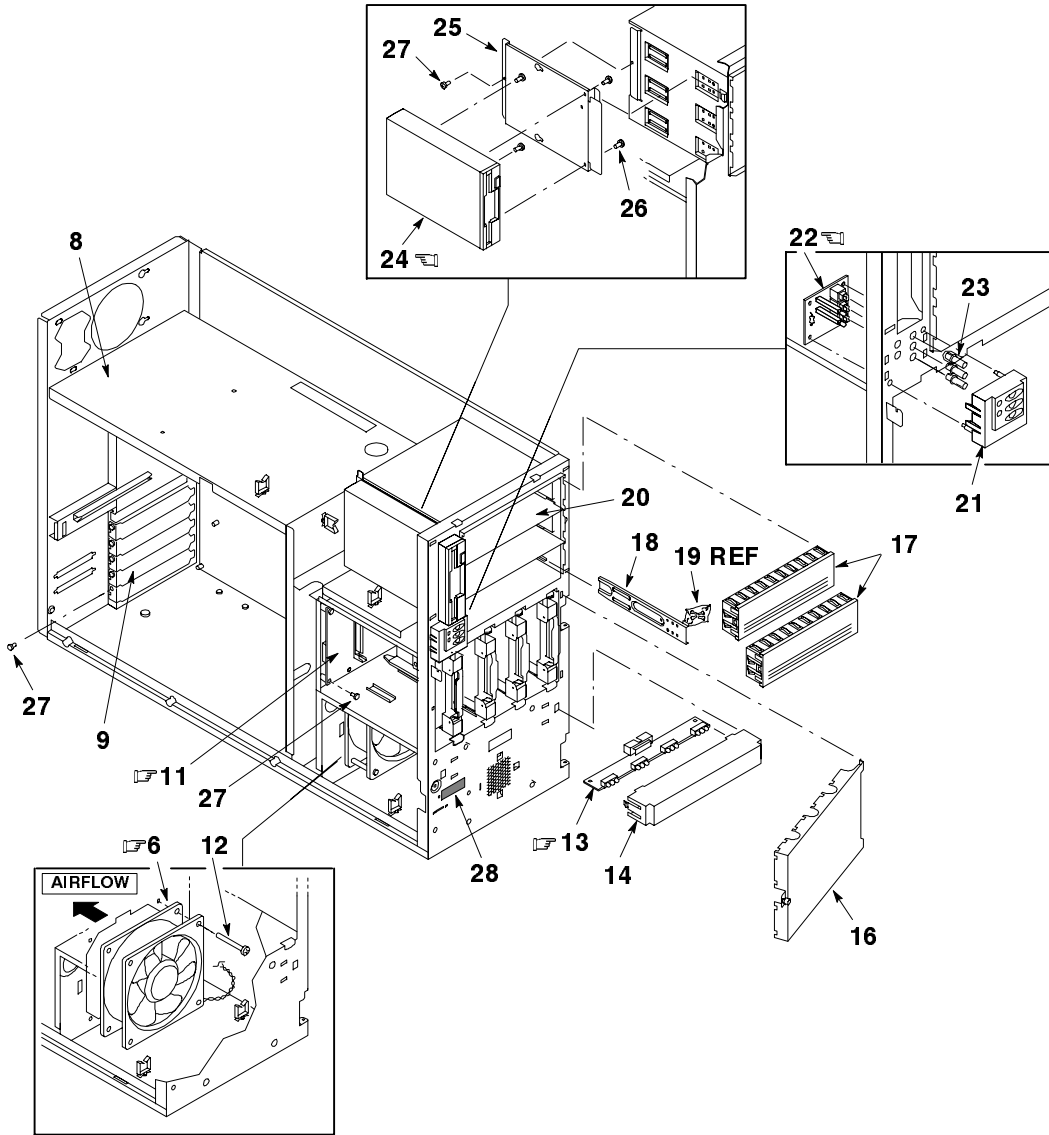


IP-3047994-02

**Figure 3. System Box Enclosure (Sheet 2 of 3)**

  INDICATES FRU LEVEL PARTS.

**PARTS LIST** 



IP-3047994-03

**Figure 3. System Box Enclosure (Sheet 3 of 3)**

FIG. & ITEM NO.	DESCRIPTION	DIGITAL PART NO. <sup>E</sup>	ECO CUT-IN 3047994 00004	USED ON CODE	REF FIG NO.
3-	ENCLOSURE, SYSTEM BOX	30-47994-06			2
1	*Baffle, Heatsink	74-51919-01			
☐ 2	*Cable, Flat, 34 Cond. (Floppy to MLB)	17-03970-03			
☐ 3	*Cable, Bundled, 68 Cond. (SCSI B/P to MLB)	17-04400-01			
☐ 4	*Cable, Flat, 50 Cond. (RMD to MLB)	17-04399-01			
4A	**Terminator, SCSI, Active, Single Ended 50 Pos	12-47229-01			
☐ 5	*Speaker Assembly w/Wire Leads	70-31349-02			
☐ 6	*Fan, Tube Axial w/Wire Leads	12-23609-24			
☐ 7	*Cable, Flat, 20 Cond. (SCSI B/P to Disk Status)	17-01476-03			
8	*Chassis Riveted Assembly	70-33014-01			
9	*Cover, PCI/EISA Slot	74-51924-01			
☐ 10	*Cable, Flat, 10 Cond. (OCP to MLB)	17-03971-04			
☐ 11	*Backplane, SCSI	54-24945-01			
12	*Screw, M3 x 45 mm	N/A			
☐ 13	*Module, Disk Status	54-24960-01			
14	*Lens, Drive Status	74-51585-01			
15	*Clip, Cable Mount, Nylon Snap-In	N/A			
16	*Cover Assembly, Hard Drive	70-33176-01			
17	*Cover Assembly, 5.25 Inch Drive	70-32227-02			
18	*Bracket, Drive, RMD	74-49601-01			
19	*Screw, Pan Hd M3 x 4 mm	90-10961-01			
20	*Support, Half Height Device	74-51530-01			
21	*Bezel, OCP	74-51577-01			
☐ 22	*Module, OCP	54-24978-01			
23	*Buttons (OCP)	74-51575-01			
☐ 24	*Floppy Drive, (1.44 MB)	RX23L-AB			
25	*Weldment, Floppy Tray	70-33019-01			
26	*Screw, Pan Hd M3 x 6 mm	90-09984-20			
27	*Screw, Sems Pan Hd M3 x 8 mm	90-09984-30			
28	*Label, Screw Locator	36-48276-01			

**PART NUMBER/DESCRIPTION INDEX** 

## INDEX BY DIGITAL PART NUMBER

PART NUMBER	DIGITAL Server 3000 DESCRIPTION	FIG.-ITEM NUMBER
12-23609-24	Fan, Tube Axial w/Wire Leads	3-6
12-47229-01	Terminator, SCSI, Active, Single Ended 50 Pos	3-4A
17-01476-03	Cable, Flat, 20 Cond. (SCSI B/P to Disk Status)	3-7
17-03970-03	Cable, Flat, 34 Cond. (Floppy to MLB)	3-2
17-03971-04	Cable, Flat, 10 Cond. (OCP to MLB)	3-10
17-04399-01	Cable, Flat, 50 Cond. (RMD to MLB)	3-4
17-04400-01	Cable, Bundled, 68 Cond. (SCSI B/P to MLB)	3-3
30-47661-02	Power Supply 300W	2-1
30-47994-06	ENCLOSURE, SYSTEM BOX	2-2, 3-N/A
36-44492-01	Label, Composite Set	1-4
36-48276-01	Label, Screw Locator	3-28
37-01668-01	Package Assembly (Not Shown)	1-5
54-24801-04	Module, CPU EV5.6 (400 MHz)	1-2
54-24801-06	Module, CPU EV5.6 (500 MHz)	1-3
54-24803-02	Module, Main Logic Board (MLB)	2-3
54-24945-01	Backplane, SCSI	3-11
54-24960-01	Module, Disk Status	3-13
54-24978-01	Module, OCP	3-22
70-31349-02	Speaker Assembly w/Wire Leads	3-5
70-32227-02	Cover Assembly, 5.25 Inch Drive	3-17
70-33014-01	Chassis Riveted Assembly	3-8
70-33019-01	Weldment, Floppy Tray	3-25
70-33176-01	Cover Assembly, Hard Drive	3-16
74-49601-01	Bracket, Drive, RMD	3-18
74-51530-01	Support, Half Height Device	3-20
74-51575-01	Buttons (OCP)	3-23
74-51577-01	Bezel, OCP	3-21
74-51585-01	Lens, Drive Status	3-14
74-51919-01	Baffle, Heatsink	3-1
74-51924-01	Cover, PCI/EISA Slot	3-9
90-09984-20	Screw, Pan Hd M3 x 6 mm	3-26
90-09984-28	Screw, Sems Pan Hd 6-32 x .250	2-4
90-09984-30	Screw, Sems Pan Hd M3 x 8 mm	2-5, 3-27
90-10961-01	Screw, Pan Hd M3 x 4 mm	3-19
EK-AA056-RD	Documentation, FCC Declaration of Conformity (Not Shown)	1-6
N/A	Clip, Cable Mount, Nylon Snap-In	3-15
N/A	Screw, M3 x 45 mm	3-12
PD01A-A9	DIGITAL Server 3000 5/400 KERNEL ASSEMBLY	1-A
PD01A-B9	DIGITAL Server 3000 5/500 KERNEL ASSEMBLY	1-B
PD01X-A9	BTS KERNEL ASSEMBLY	1-1, 2-N/A
RRD46-AB	CD-ROM (12X)	2-6
RX23L-AB	Floppy Drive, (1.44 MB)	3-24

## INDEX BY DIGITAL PART DESCRIPTION

### DIGITAL Server 3000

DESCRIPTION	PART NUMBER	FIG.—ITEM NUMBER
Backplane, SCSI	54-24945-01	3-11
Baffle, Heatsink	74-51919-01	3-1
Bezel, OCP	74-51577-01	3-21
Bracket, Drive	74-49601-01	3-18
BTS KERNEL ASSEMBLY	PD01X-A9	1-1, 2-N/A
Buttons (OCP)	74-51575-01	3-23
Cable, Bundled, 68 Cond. (SCSI B/P to MLB)	17-04400-01	3-3
Cable, Flat, 10 Cond. (OCP to MLB)	17-03971-04	3-10
Cable, Flat, 20 Cond. (SCSI B/P to Disk Status)	17-01476-03	3-7
Cable, Flat, 34 Cond. (Floppy to MLB)	17-03970-03	3-2
Cable, Flat, 50 Cond. (RMD to MLB)	17-04399-01	3-4
CD-ROM (12X)	RRD46-AB	2-6
Chassis Riveted Assembly	70-33014-01	3-8
Clip, Cable Mount, Nylon Snap-In	N/A	3-15
Cover Assembly, 5.25 Inch Drive	70-32227-02	3-17
Cover Assembly, Hard Drive	70-33176-01	3-16
Cover, PCI/EISA Slot	74-51924-01	3-9
DIGITAL Server 3000 5/400 KERNEL ASSEMBLY	PD01A-A9	1-A
DIGITAL Server 3000 5/500 KERNEL ASSEMBLY	PD01A-B9	1-B
Documentation, FCC Declaration of Conformity (Not Shown)	EK-AA056-RD	1-6
ENCLOSURE, SYSTEM BOX	30-47994-06	2-2, 3-N/A
Fan, Tube Axial w/Wire Leads	12-23609-24	3-6
Floppy Drive, (1.44 MB)	RX23L-AB	3-24
Label, Composite Set	36-44492-01	1-4
Label, Screw Locator	36-48276-01	3-28
Lens, Drive Status	74-51585-01	3-14
Module, CPU EV5.6 (400 MHz)	54-24801-04	1-2
Module, CPU EV5.6 (500 MHz)	54-24801-06	1-3
Module, Disk Status	54-24960-01	3-13
Module, Main Logic Board (MLB)	54-24803-02	2-3
Module, OCP	54-24978-01	3-22
Package Assembly (Not Shown)	37-01668-01	1-5
Power Supply 300W	30-47661-02	2-1
Screw, M3 x 45 mm	N/A	3-12
Screw, Pan Hd M3 x 4 mm	90-10961-01	3-19
Screw, Pan Hd M3 x 6 mm	90-09984-20	3-26
Screw, Sems Pan Hd 6-32 x .250	90-09984-28	2-4
Screw, Sems Pan Hd M3 x 8 mm	90-09984-30	2-5, 3-27
Speaker Assembly w/Wire Leads	70-31349-02	3-5
Support, Half Height Device	74-51530-01	3-20
Terminator, SCSI, Active, Single Ended 50 Pos	12-47229-01	3-4A
Weldment, Floppy Tray	70-33019-01	3-25