

**DECsystem 5900
Site Preparation**

EK-D590A-SP-001

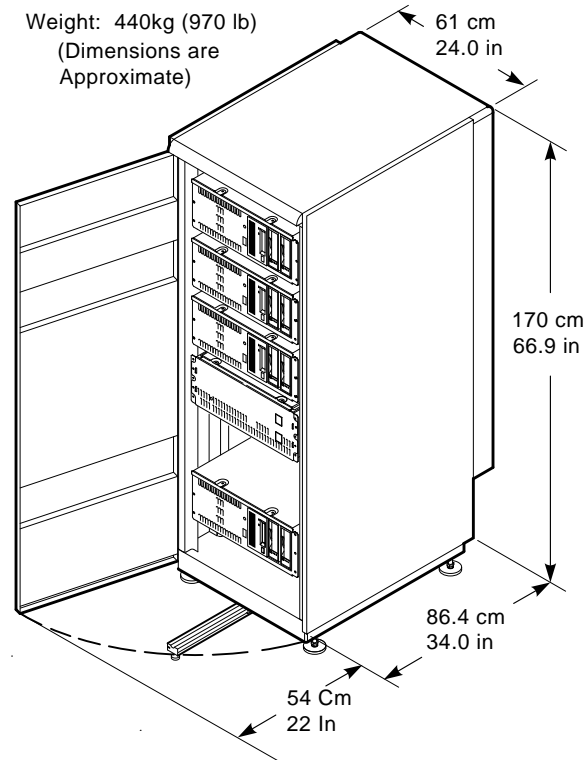
**Digital Equipment Corporation
Maynard, Massachusetts**

DECsystem 5900 Site Preparation

This card contains the information you need to prepare your computer room for the DECsystem 5900. Use this card along with the *Site Environmental Preparation Guide*, Order number: EK-CSEPG-MA.

Figure 1 shows the dimensions of the DECsystem 5900 server.

Figure 1 The DECsystem 5900 Server



MLO-007648

The following lists contain specific site preparation requirements for the DECsystem 5900 server:

Shipping Weight and Measurements

| | |
|--------|-----------------------|
| Weight | 485 kg (1070 lb) |
| Height | 193.1 cm (76 in) |
| Width | 86.4 cm (34 in) |
| Depth | 118.1 cm (46.5 in) |

Environmental Requirements

| | |
|--------------------------|---|
| Acoustics | 7.2 LNPE (bels) |
| Air flow | Intake: front Exhaust: Back |
| Altitude | 0 to 3,000 m 0 to 10,000 ft |
| Humidity | 20% to 80% |
| Maximum heat dissipation | 5325 Btu/h 1560 Watts |
| Service clearance | 90 cm (36 in) front 56 cm (22 in) back 0 on sides |
| Temperature | 0° to 32° C 32° to 90° F |

Space Requirements

| | |
|--------|----------------------|
| Weight | 440 kg (970 lb) |
| Height | 170 cm (66.9 in) |
| Width | 61 cm (24.0 in) |
| Depth | 86.4 cm (34.0 in) |

Power Requirements—120 Vac

| | |
|---------------------|--------------------|
| AC plug type | NEMA L5-30P |
| CPU enclosure | 240 Watts |
| Frequency range | 47 to 63 Hz |
| Mass storage drawer | 270 Watts |
| Max. config. | 1560 Watts |
| Nominal voltage | 120 Volts |
| Power cable length | 4.5 m (14.7 ft) |
| Power cable type | Attached |
| Start-up current | 30 rms Amps |

Power Requirements—230 Vac

| | |
|---------------------|--------------------|
| Frequency range | 47 to 63 Hz |
| CPU enclosure | 240 Watts |
| Mass storage drawer | 270 Watts |
| Max. config. | 1560 Watts |
| Nominal Voltage | 220 Volts |
| Power cord length | 4.5 m (14.7 ft) |
| Start-up current | 16 rms Amps |

Power Cable and Plug Numbers-230 Vac

| Country | Cable Number | Plug Number |
|----------------|---------------------------|--------------------|
| Australia | BN18D-4E (17-00198-05) | AS 3112-1981 |
| Central Europe | BN18C-4E (17-00199-10) | CEE77 |
| Denmark | BN18P-4E (17-01255-01) | IEC 309 |
| Europe | BN18P-4E (17-01255-01) | IEC 309 |
| India | BN18H-4E (17-00456-06) | BS546 |
| Ireland | BN18P-4E (17-01255-01) | IEC 309 |
| Israel | BN18F-4E (17-00457-06) | S.I.32 |
| Italy | BN18E-4E (17-00364-06) | CEI 23-16 |
| Japan | BN18R-4E (17-01256-01) | IEC 309 |
| South Africa | BN18H-4E (17-00456-06) | BS546 |
| Switzerland | BN18P-4E (17-01255-01) | IEC 309 |
| United Kingdom | BN18P-4E (17-01255-01) | IEC 309 |
| United States | BN18R-4E (17-01256-01) | IEC 309 |

© Digital Equipment Corporation
1991. All rights reserved.

S1825