



ProLiant 6000R/7000R Interlock Kit Installation Information

EK-7000R-IN. A01

June 1999

Introduction

The 2T-QINTL-70 interlock kit contains the components for installing the slide assemblies, the interlock system, and the shipping bracket on the rackmounted ProLiant 6000 and ProLiant 7000. The interlock system helps prevent cabinet instability by allowing only one system at a time to be pulled out of the cabinet. The shipping bracket is used to secure the ProLiant 6000 and ProLiant 7000 in the cabinet during shipment or when moving the cabinet to a new location.

The interlock system consists of a vertical rod, on which are mounted actuator latches for each product installed in the cabinet. These actuator latches engage the interlock actuator on the rear of rackmount systems. When a rackmount system is pulled out of the cabinet, the actuator latches rotate to prevent any other rackmount system that has an interlock actuator from being pulled out of the cabinet.

Table 1 lists the parts that are shipped with the 2T-QINTL-70 interlock kit. The callouts in column 1 refer to the part location in Figure 1.

Table 1 2T-QINTL-70 Interlock Kit Parts List

Figure 1 Callout	Description	Part Number	Qty.
❶	Slide bracket, right front and left rear	74-53996-01	2
❷	Slide bracket, right rear and left front	74-53996-02	2
❸	8-32 pan-head screw	90-06038-01	8
❹	Flat washer, .190ID x .051THK	90-06660-00	8
❺	Split washer, .171ID	90-06690-00	8
❻	8-32 hex nut	90-06561-00	8
❼	M6 nut bar	74-53977-02	4
❽	Interlock actuator	74-53978-01	1
❾	6-32 truss-head screw	90-00063-10	4
❿	Stabilizer bracket	74-48996-01	1
①	Actuator latch	74-48997-02	1
②	10-32 threaded nut bar	74-48998-01	1
③	10-32 truss-head screw	90-00063-39	4
④	Flat washer, .286ID x .066THK	90-06676-00	2
⑤	Split washer, .263ID	90-07797-00	2
⑥	Shipping bracket	74-53981-01	1
⑦	Flat washer, .221ID x .051THK	90-06664-00	2
⑧	10-32 Kep nut	90-06565-00	2
	HI-Strength thread-locking sealant	49-01340-00	1
	<i>ProLiant 6000R/7000R Interlock Kit Installation Information</i>	EK-7000R-IN	1

© Compaq Computer Corporation. 1999. All Rights Reserved.

® Compaq, ProLiant, and the Compaq logo are registered in the United States Patent and Trademark Office.

Installing the Slide Assemblies

The rackmount ProLiant 6000 and ProLiant 7000 require 62.23 cm (24.50 in.) of vertical space or 42 contiguous holes in a 48.26-cm (19-in) EIA cabinet. The bottom hole in this installation area ⑨ is identified as hole 1 and the top hole is identified as hole 42 (see Figure 1).

In the following installation procedures, directions are referred to while viewing the rackmount ProLiant 6000 or ProLiant 7000 from the front of the cabinet. To install the slide assemblies, refer to Figure 1 and the following procedures:

1. Remove the inner races from the right and left slide assemblies. Set the inner races aside.
2. Attach the right front slide bracket ❶ (P/N 74-53996-01) to the right slide assembly with two 8-32 pan-head screws ❸, flat washers ❹, split washers ❺, and 8-32 hex nuts ❻.
3. Attach the right rear slide bracket ❷ (P/N 74-53996-02) to the right slide assembly with two 8-32 pan-head screws ❸, flat washers ❹, split washers ❺, and 8-32 hex nuts ❻, but *do not* tighten.
4. Attach the left front slide bracket ❷ (P/N 74-53996-02) to the left slide assembly with two 8-32 pan-head screws ❸, flat washers ❹, split washers ❺, and 8-32 hex nuts ❻.
5. Attach the left rear slide bracket ❶ (P/N 74-53996-01) to the left slide assembly with two 8-32 pan-head screws ❸, flat washers ❹, split washers ❺, and 8-32 hex nuts ❻, but *do not* tighten.
6. Place the right front slide bracket ❶ on the inside of the right front rail and align two holes of the M6 nut bar ❸ with the two slide bracket holes and with the 38th and 40th holes of the installation area on the right front rail. Install two M6 screws (1) in the 38th and 40th holes of the installation area to secure the right front slide bracket to the right front rail.
7. Place the right rear slide bracket ❷ on the inside of the right rear rail and align two holes of the M6 nut bar ❸ with the two slide bracket holes and with the 38th and 40th holes of the installation area on the right rear rail. Install two M6 screws (1) in the 38th and 40th holes of the installation area to secure the right rear slide bracket to the right rear rail. Tighten the two 8-32 pan-head screws ❸ and 8-32 hex nuts ❻ that secure the right rear slide bracket to the right slide assembly.
8. Place the left front slide bracket ❷ on the inside of the left front rail and align two holes of the M6 nut bar ❸ with the two slide bracket holes and with the 38th and 40th holes of the installation area on the left front rail. Install two M6 screws (1) in the 38th and 40th holes of the installation area to secure the left front slide bracket to the left front rail.
9. Place the left rear slide bracket ❶ on the inside of the left rear rail and align two holes of the M6 nut bar ❸ with the two slide bracket holes and with the 38th and 40th holes of the installation area on the left rear rail. Install two M6 screws (1) in the 38th and 40th holes of the installation area to secure the left rear slide bracket to the left rear rail. Tighten the two 8-32 pan-head screws ❸ and 8-32 hex nuts ❻ that secure the left rear slide bracket to the left slide assembly.
10. Attach the right inner race to the right side of the ProLiant 6000 or ProLiant 7000 chassis and the left inner race to the left side of the ProLiant 6000 or ProLiant 7000 chassis.
11. Pull both slide assemblies out fully to their locked positions, then lift the chassis and position it so that the inner races fit into the front end of the slide assemblies. Push the chassis into the slide assemblies until it stops, then release the two locking levers and push the chassis all the way into the cabinet.

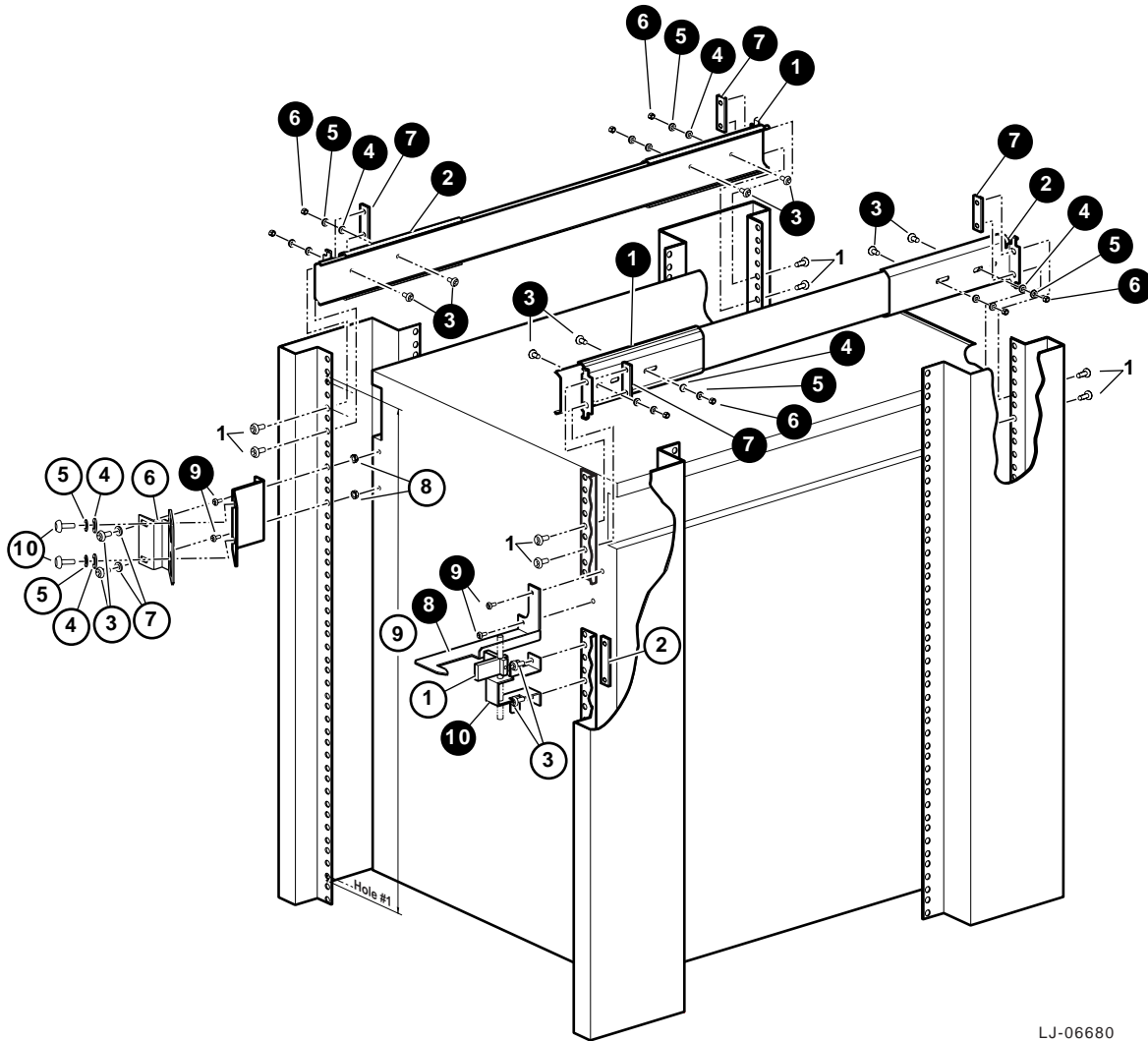
Installing the Interlock System

In the following installation procedures, directions are referred to while viewing the rackmount ProLiant 6000 or ProLiant 7000 from the rear of the cabinet. To install the interlock system, refer to Figure 1 and the following procedures:

1. Mount the interlock actuator ❸ on the upper right rear of the ProLiant 6000 or ProLiant 7000 chassis using two 6-32 truss-head screws ❹.
2. Remove the screws securing the vertical rod's bottom mounting bracket to the cabinet and slide the mounting bracket off the bottom of the vertical rod.

3. Slide the actuator latch ① for the ProLiant 6000 or ProLiant 7000 onto the bottom of the vertical rod.
4. Slide the stabilizer bracket ⑩ for the new product onto the bottom of the vertical rod.
5. Replace the vertical rod's bottom mounting bracket and install the screws removed in step 2 but *do not* tighten them.
6. Position the stabilizer bracket ⑩ so that the bottom hole in the stabilizer bracket is aligned with the 27th hole of the installation area and the top hole in the stabilizer bracket is aligned with the 30th hole of the installation area on the right rear cabinet rail.
7. Place the nut bar ② behind the right rear cabinet rail and install and tighten the two 10-32 truss-head screws ③ provided to secure the stabilizer bracket ⑩.
8. Position the actuator latch ① to properly engage the interlock actuator, and tighten the two 6-32 set screws to secure the actuator latch to the vertical rod.
9. Now tighten the screws to secure the vertical rod's bottom mounting bracket.

Figure 1 Installing the 2T-QINTL-70 Interlock Kit



LJ-06680

Installing the Shipping Bracket

In the following installation procedures, directions are referred to while viewing the rackmount ProLiant 6000 or ProLiant 7000 from the rear of the cabinet. The shipping bracket is used to secure the ProLiant 6000 or ProLiant 7000 in the cabinet during shipment or when moving the cabinet to a new location. To install the shipping bracket, refer to Figure 1 and the following procedures:

1. **Removing and replacing one screw at a time**, remove the two screws securing the cable management arm mounting bracket to the chassis and replace with two 6-32 truss-head screws ⑨. Before installing these 6-32 truss-head screws, apply the HI-Strength thread-locking sealant to the screw threads.
2. **Removing and replacing one screw at a time**, remove the two M6 screws ⑩ securing the cable management arm to the mounting bracket and install two flat washers ④ and two split washers ⑤, then reinstall the two M6 screws ⑩.
3. To install the shipping bracket ⑥, loosen the two M6 screws ⑩ securing the cable management arm to the mounting bracket and place the large part of the two keyholes on the shipping bracket over the screw heads.
4. Slide the shipping bracket ⑥ down, until the top hole on the left side of the shipping bracket is aligned with the 35th hole of the installation area on the left rear cabinet rail. Tighten the two M6 screws ⑩ securing the shipping bracket and cable management arm to the mounting bracket.
5. Secure the shipping bracket ⑥ to the left rear rail with two flat washers ⑦, two 10-32 truss-head screws ③, and two 10-32 Kep nuts ⑧.

Note

Prior to shipment, the HI-Strength thread-locking sealant should be applied to the threads on the M6 thumbscrews on the front bezel.
