



ProLiant 1600R Interlock Kit Installation Information

EK-1600R-IN. A01

May 1999

Introduction

The 2T-QINTL-16 interlock kit contains the components for installing the interlock system and the shipping bracket on the rackmounted ProLiant 1600. The interlock system helps prevent cabinet instability by allowing only one system at a time to be pulled out of the cabinet. The shipping bracket is used to secure the ProLiant 1600 in the cabinet during shipment or when moving the cabinet to a new location.

The interlock system consists of a vertical rod, on which are mounted actuator latches for each product installed in the cabinet. These actuator latches engage the interlock actuator on the rear of rackmount systems. When a rackmount system is pulled out of the cabinet, the actuator latches rotate to prevent any other rackmount system that has an interlock actuator from being pulled out of the cabinet.

Table 1 lists the parts that are shipped with the 2T-QINTL-16 interlock kit. The callouts in column 1 refer to the part location in Figure 1.

Table 1 2T-QINTL-16 Interlock Kit Parts List

Figure 1 Callout	Description	Part Number	Qty.
❶	Interlock actuator	74-53873-01	1
❷	6-32 truss-head screw	90-00063-10	5
❸	Stabilizer bracket	74-48996-01	1
❹	Actuator latch	74-48997-02	1
❺	10-32 threaded nut bar	74-48998-01	1
❻	10-32 truss-head screw	90-00063-39	4
❼	Flat washer, .286ID x .066THK	90-06676-00	2
❽	Split washer	90-07797-00	2
❾	Shipping bracket	74-53976-01	1
❿	Flat washer, .221ID x .051THK	90-06664-00	2
⓫	10-32 Kep nut	90-06565-00	2
	<i>ProLiant 1600R Interlock Kit Installation Information</i>	EK-1600R-IN	1

Installing the Interlock System

The rackmount ProLiant 1600 requires 22.23 cm (8.75 in.) of vertical space or 15 contiguous holes in a 48.26-cm (19-in) EIA cabinet. The bottom hole in this installation area ❷ is identified as hole 1 ❸ and the top hole is identified as hole 15 ❹ (see Figure 1).

In the following installation procedures, directions are referred to while viewing the rackmount ProLiant 1600 from the rear of the cabinet. To install the interlock system, refer to Figure 1 and the following procedures:

1. Mount the interlock actuator ❶ on the lower right rear of the ProLiant 1600 chassis using three 6-32 truss-head screws ❷.

© Compaq Computer Corporation. 1999. All Rights Reserved.

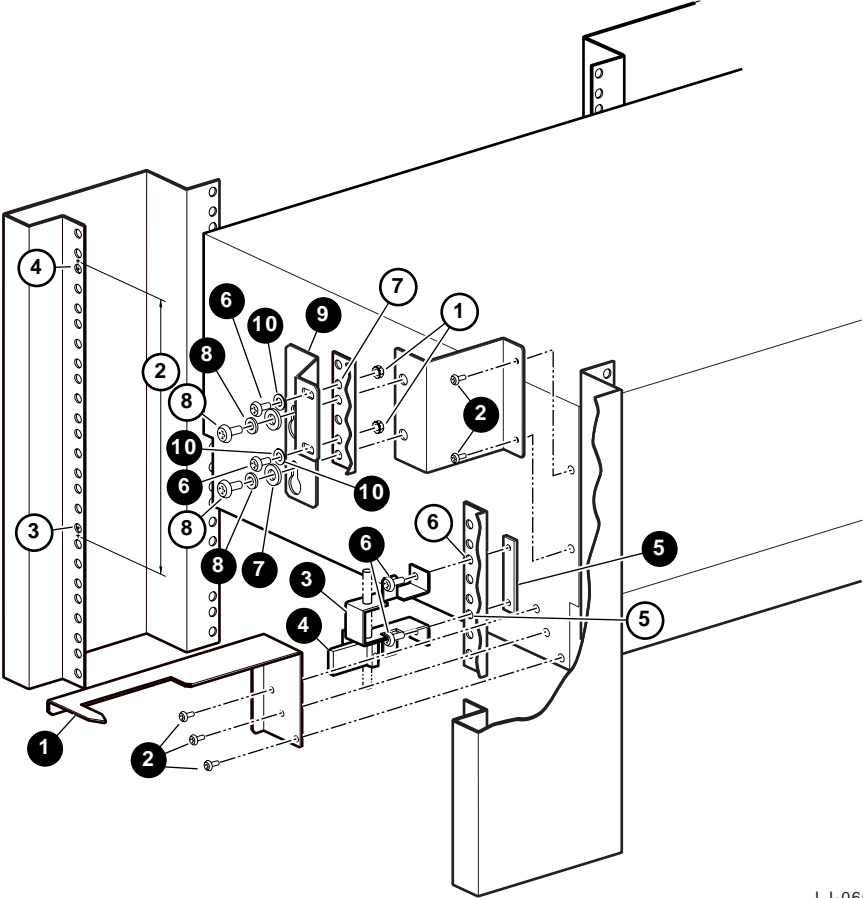
2. Remove the screws securing the vertical rod's bottom mounting bracket to the cabinet and slide the mounting bracket off the bottom of the vertical rod.
3. Slide the stabilizer bracket ❸ for the new product onto the bottom of the vertical rod.
4. Slide the actuator latch ❹ for the ProLiant 1600 onto the bottom of the vertical rod.
5. Replace the vertical rod's bottom mounting bracket and install the screws removed in step 2 but *do not* tighten them.
6. Position the stabilizer bracket ❸ so that the bottom hole in the stabilizer bracket is aligned with the 6th hole ❺ of the installation area and the top hole in the stabilizer bracket is aligned with the 9th hole ❻ of the installation area on the right rear cabinet rail.
7. Place the bar nut ❽ behind the right rear cabinet rail and install and tighten the two 10-32 truss-head screws ❾ provided to secure the stabilizer bracket ❸.
8. Position the actuator latch ❹ against the bottom of the stabilizer bracket ❸ and to properly engage the interlock actuator, and tighten the two 6-32 set screws to secure the actuator latch to the vertical rod.
9. Now tighten the screws to secure the vertical rod's bottom mounting bracket.

Installing the Shipping Bracket

In the following installation procedures, directions are referred to while viewing the rackmount ProLiant 1600 from the rear of the cabinet. The shipping bracket is used to secure the ProLiant 1600 in the cabinet during shipment or when moving the cabinet to a new location. To install the shipping bracket, refer to Figure 1 and the following procedures:

1. **Removing and replacing one screw at a time**, remove the two screws securing the cable management arm mounting bracket to the chassis and replace with two 6-32 truss-head screws ❷.
2. **Removing and replacing one screw at a time**, remove the two M6 screws ❸ securing the cable management arm to the mounting bracket and install two flat washers ❹ and two split washers ❺, then reinstall the two M6 screws.
3. To install the shipping bracket ❻, loosen the two M6 screws ❸ securing the cable management arm to the mounting bracket and place the large part of the two keyholes on the shipping bracket over the screw heads.
4. Slide the shipping bracket ❻ down, until the top hole on the right side of the shipping bracket is aligned with the 14th hole ❼ of the installation area on the right rear cabinet rail. Tighten the two M6 screws ❸ securing the shipping bracket and cable management arm to the mounting bracket.
5. Secure the shipping bracket ❻ to the right rear rail with two flat washers ❿, two 10-32 truss-head screws Ⓜ, and two 10-32 Kep nuts Ⓨ.

Figure 1 Installing the 2T-QINTL-16 Interlock Kit



LJ-06684

