

# CWDM Family

## Non-managed 4U Passive Rack



# SML-4000

SML-4000 is a 4U 19-inch CWDM passive rack that features 24 cards capacity and supports SML-40-8181-L , 8+1 channels MUX/DEMUX cards. The 8+1 channels MUX/DEMUX card is a modular design for CWDM wavelengths including 1471nm, 1491nm, 1511nm, 1531nm, 1551nm, 1571nm, 1591nm, and 1611nm. The 1311nm CWDM channel is accessible separately. The MUX/DEMUX cards provide the primary wave division and combination functions for CWDM. Line side wave lengths require translation to client side equipment via a transponder card. The unique design makes the SML-4000 one of the highest density CWDM solutions in the industry.

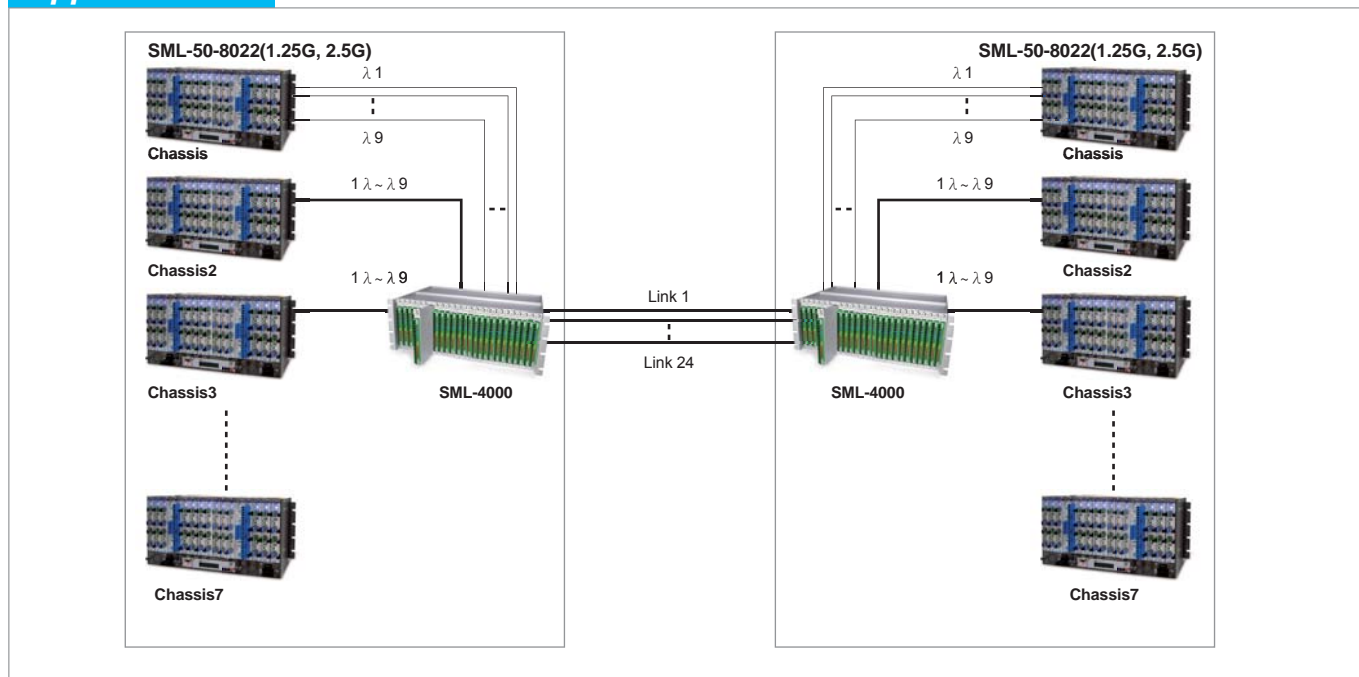
### Features

- 24-Slots for MUX/DEMUX card
- 2U, 19-inch Rack Mount
- Passive model requires on power
- Plug & Play Operation
- 8+1 Ch  
(1471/1491/1511/1531/1551/1571/1591/1611 + 1311nm)
- Full native mode performance
- Optical connectors: LC connectors, SMF 9/ 125um
- Protocol transparent, no limitation
- Utilizes industry standard ITU-T CWDM wavelengths

### Specifications

Chassis	19" 4U, 24-slot
Connector	LC
Standard	ITU-T G.694.2
Power Consumption	None
Wavelengths	SML- 40-8181→1311, 1471, 1491, 1511, 1531, 1551, 1571, 1591, 1611nm
Insertion Loss	SML-40-8181 < 5dB for CWDM wavelength
Return Loss	> 45dB
Dimensions (D x W x H) mm	4U passive chassis : 277 x 481 x 177 mm 8+1 Mux/Demux card : 260 x 240 x 18.2 mm
Weight	Chassis : 3.4kg Card : 600g
Temperature	0~50°C (Operating) ,-20~70°C (Storage)
Humidity	10~90% non-condensing
Certification	CE, FCC, RoHS

### Application



### Ordering Information

- **SML-40-9041-R** 19" 4U, 24-slot Passive CWDM MUX/DEMUX chassis
- **SML-40-8181-L** 8+1 channels Mux/Demux card (1311nm, 1471 ~ 1611nm)