

IGS-402S IGS-402S-E

4-Port 10/100/1000Base-T(X) with 2 SFP Slots Fiber unmanaged Gigabit Ethernet Switch



The IGS-402S(-E) are equipped 6 Gigabit Ethernet ports and come with two 1000Base-X(SFP slot) fiber optic ports. 4 ports 10/100/1000BaseT(X) support IEEE 802.3/802.3u/802.3x/802.3ab, full/half-duplex, MDI/MDI-X auto-sensing, making them ideal for providing an economical high-bandwidth solution for your industrial Gigabit Ethernet network, switchable 100Base SFP or 1000Base SFP can set up easily using the DIP switches located on the Front panel. The IGS-402S(-E) switches built-in relay warning function for alerting power failures; providing broadcast storm protection function to eliminate the broadcast storming in your networks. The switches can be installed easily on a DIN-Rail or Wall mounted, IGS-402S-E wide operating temperature (-40 ~ 75°C) models especially for industrial harsh environment applications.

Features

- ◆ 12/24/48VDC Redundant dualinput Power Design
- ◆ 4-Port 1000Base-T RJ-45 with 2 Fiber Gigabit Ethernet
- ◆ Wide Operating Temperature -40 ~ 75°C (IGS-402S-E)
- ◆ UL60950-1, CE, FCC, certification
- ◆ Industrial Grade EMS, EMI, EN61000-6-2, EN61000-6-4 Certified
- ◆ IP30 rugged metal housing

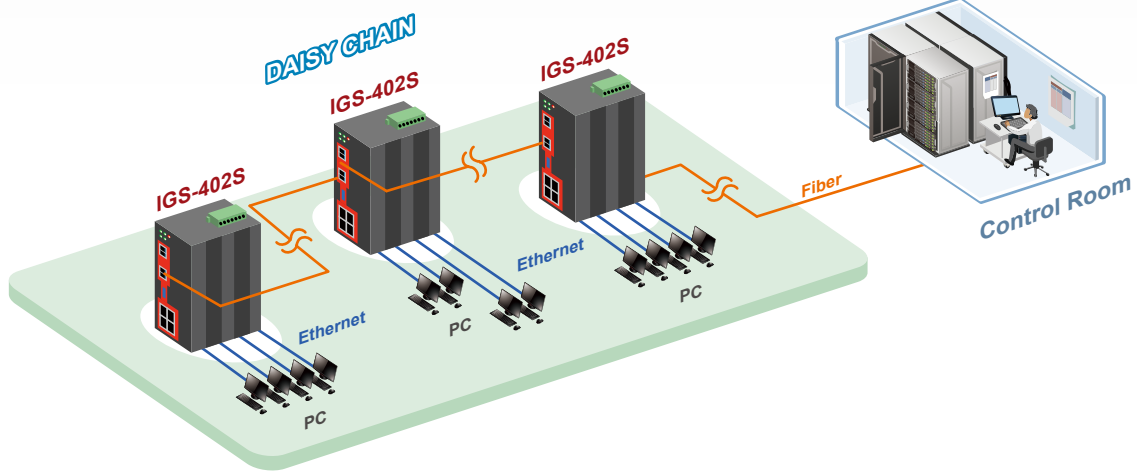
Specifications

IEEE Standard	IEEE 802.3 10Base-T Ethernet IEEE 802.3u 100Base-T(X) Fast Ethernet IEEE 802.3ab 1000Base-T Gigabit Ethernet IEEE 802.3z 1000Base-X Gigabit Ethernet IEEE 802.3x Flow Control and Back Pressure
Switch Architecture	Back-plane (Switching Fabric): 12Gbps
Data Processing	Store and Forward
Flow Control	IEEE 802.3x flow control, back pressure flow control
Provides broadcast storm protection	Present, Enable / Disable set by DIP sw
Jumbo Frame	10K Bytes
MAC address Table Size	8K
Packet Buffer Size	1Mbits
Network Connector	4 x RJ-45 10/100/1000BaseT(X) auto negotiation speed, Auto MDI/MDI-X function, Full/Half duplex 2 SFP 100/1000 Base-X dual mode slot
Network Cable	UTP/STP above Cat. 5e cable EIA/TIA-568 100-ohm (100m) Fiber Cable (Multi-mode): 50/125um, 62.5/125um Fiber Cable (Single-mode): 9/125um
Protocol	CSMA/CD
LED	Per unit: Power 1 (Green), Power 2 (Green), Fault (Amber) Per RJ-45 port : Link/Active (Green), Speed 10(OFF) , 100(Green), 1000(Yellow) Fiber Per port: Link/Active (Green)
DIP SW	DIP 1 On : Disable power failure alarm Off : Enable power failure alarm DIP 2 On : Disables broadcast storm protection Off : Enable broadcast storm protection DIP 3 On : Fiber 2 for 100Base-FX SFP Off : Fiber 2 for Gigabit SFP DIP 4 On : Fiber 1 for 100Base-FX SFP Of f: Fiber 1 for Gigabit SFP
Reserve polarity protection	Present

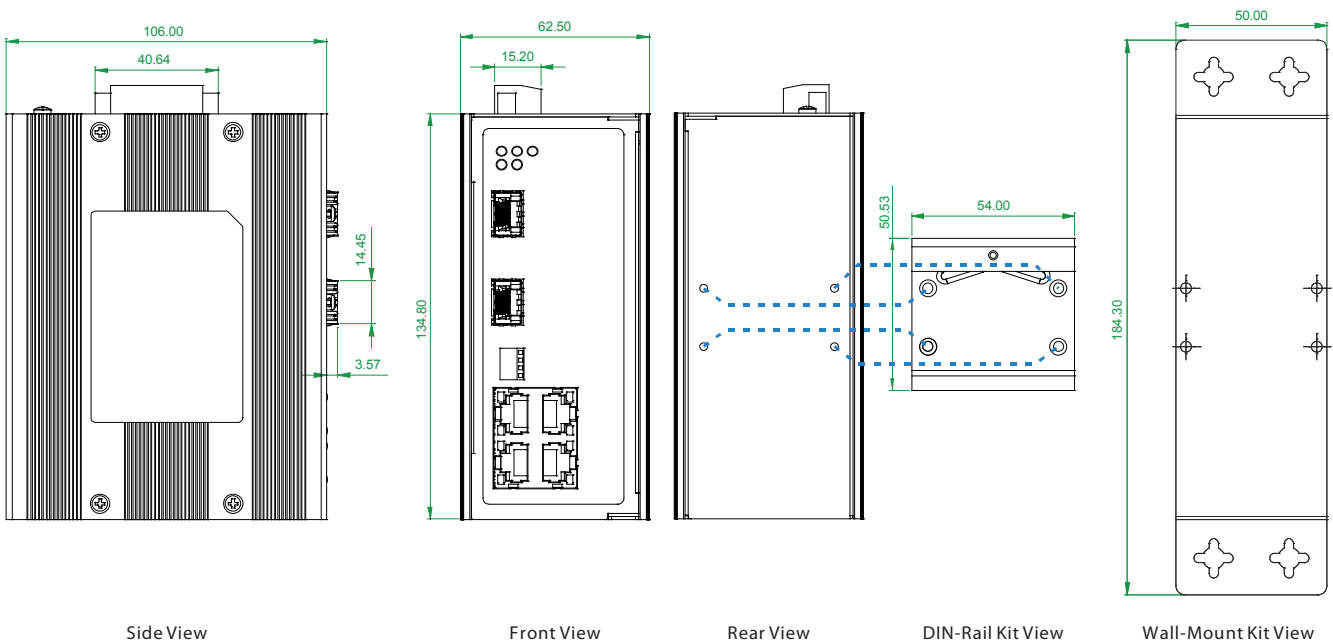
Overload current protection	Present
Power Supply	Redundant Dual DC 12/24/48V (9.6~60VDC) Input power (Removable Terminal Block) Provide DC Power JACK adapter cable for external power supply.
Power Consumption	Max 7.83W
Alarm Relay Contact	Relay outputs with current carrying capacity of 1 A @24VDC
Removable Terminal Block	Provide 2 Redundant power ,Alarm relay contact, 6 Pin
Operating Temperature	0 ~ 60°C (IGS-402S) -40 ~75°C (IGS-402S-E)
Operating Humidity	5% to 95% (Non-condensing)
Storage Temperature	-40 ~ 85°C
Housing	Rugged Metal, IP30 Protection
Dimension	62.5 x 106 x 134.8mm (W X D X H)
Weight	0.84kg
Installation mounting	DIN Rail mounting and Wall Mounting
EMC/EMS	CE, FCC
EMI	FCC Part 15 Subpart B Class A, CE EN 55022 Class A EN61000-6-4 – Emission for industrial environment
EMS	EN61000-6-2 – Immunity for Industrial environment EN61000-4-2 (ESD) Level 3, Criteria B EN61000-4-3 (RS) Level 3, Criteria A EN61000-4-4 (EFT) Level 3, Criteria A EN61000-4-5 (Surge) Level 3, Criteria B EN61000-4-6 (CS) Level 3, Criteria A EN61000-4-8 (Magnetic Field) Level 3, Criteria A
Safety	UL60950-1 (Pending)
Rail Traffic	EN 50121-4
Shock	IEC 60068-2-27
Freefall	IEC 60068-2-32
Vibration	IEC 60068-2-6
MTBF	438,031 Hours
Warranty	5 years

Application

IGS-402S Gigabit Ethernet Switch Transmission with Daisy Chain



Dimensions



Ordering Information

Model Name	Description
IGS-402S	4-Port 10/100/1000Base-T(X) + 2-Port 100/1000Base SFP Slot (0 ~ 60°C)
IGS-402S-E	4-Port 10/100/1000Base-T(X) + 2-Port 100/1000Base SFP Slot (-40 ~ 75°C)

Temperature
IGS - 402S -
 Example: IGS - 402S - E