

Fiber Managed Platform FRM220-155MS

Stand-alone Fiber Media Converter and Repeater

FRM220-155MS is a fiber optical media converter and repeater that allows data rates up to 155Mbps. FRM220-155MS supports 2R regeneration, which consists of re-amplification and reshaping. This converter is compatible with fiber interface such as 100Mbps Fast Ethernet, 155Mbps STM1and OC3. FRM220-155MS works well with FRM220 Chassis as Slide-in Card in CO side or FRM220-CH01, one slot chassis as a stand-alone fiber converter



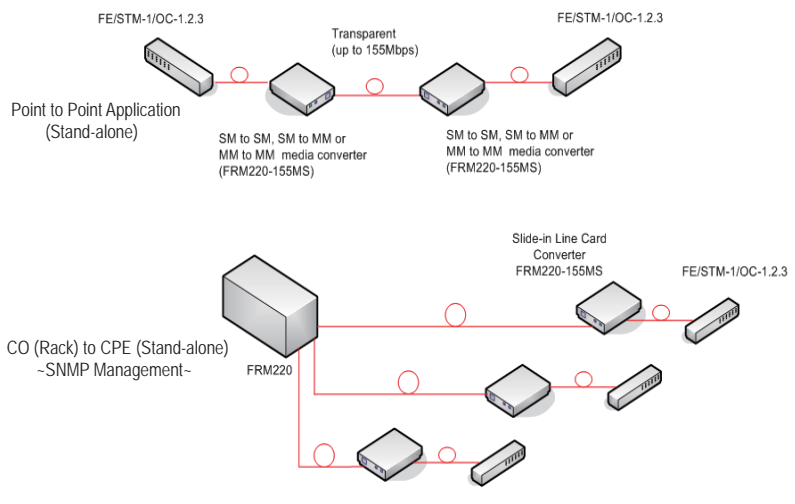
Features

- Converts multi-mode 850nm to single-mode 1310/1550nm, multi-mode to multi-mode or single mode to single mode
- Comply with IEEE802.3u 100Base-FX Standard
- Compatible with FRM220 Chassis for SNMP management
- Extend Fiber Optic distance up to 2Km (MM), 120Km (SM)
- Multi-rate support up to 155Mbps
- Perform optical repeater function (Re-amplification & reshaping)
- Optical Connector: SC & SFP-LC Type
- Supports Client / Line loop back test
- Supports link pass through
- Supports auto laser shutdown

Specifications

Rate	Up to OC-3/STM-1 (155Mbps)	
LEDs	PWR, Line Link, Client Link & Test	
Power	External AC/ DC required; 12V DV; 1A	
Environment	Temperature	0 - 50°C (Operating) 0 - 70°C (Storage)
	Humidity	20 - 80% non condensing (Operating) 10 - 90% (Storage)
Power Consumption	< 4W	
Dimensions(WxDxH)	155mm x 88mm x 23mm (LxWxH)	
Weight	120g	
Compliance	FCC part 15 class A, CE	
MTFB	257063 hours	

Applications



Ordering Information

- Chassis
 - FRM220-CH20
2U 19" 20-slot managed chassis
 - FRM220-CH01
1-slot chassis with AC power adapter
 - FRM220-CH01-AC
1-slot chassis with internal AC power
 - FRM220-CH01-DC
1-slot chassis with internal DC power
- Line Card
 - FRM220-155MS
MM to SM Converter
 - FRM220-155MS-SFP
Fiber repeater with dual SFP slot